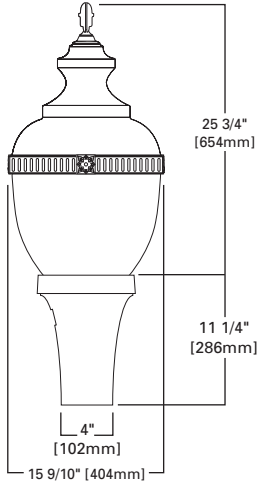


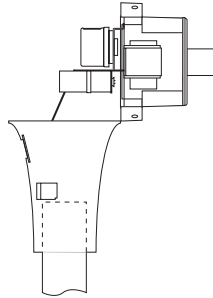
50-250W
MH/HPS

WST WESTMINSTER

POST-TOP AREA LUMINAIRE



TILT-BACK POWER MODULE



STREETWORKS™

ORDERING INFORMATION

SAMPLE NUMBER: WST50SR2554

PRODUCT FAMILY	LAMP WATTAGE ¹	LAMP TYPE ¹	BALLAST TYPE ¹	VOLTAGE ¹	REFRACTOR TYPE	BAND TYPE ⁵	TOP TYPE	FINIAL TYPE	OPTIONS + ACCESSORIES (See Below)
WST=Westminster	50=50W 70=70W 10=100W 15=150W 17=175W 25=250W	M=Metal Halide ² S=High Pressure Sodium	R=Reac./NPF ³ H=Reac./HPF N=Hi. Reac./NPF P=Hi. Reac./HPF W=CWA K=10KV CWA ⁴	2=120V 0=208V 4=240V 7=277V 8=480V 9=347V W=Multi-Tap wired 120V N=Multi-Tap wired 277V V=Multi-Tap wired 240V	33=Type III 55=Type V	4=Brass Band 5=Painted Band ⁶ X=None	1=Acorn 2=Modern 3=Victorian 4=Classical	1=Victorian 2=Modern 3=Architectural X=None	

GLOBE
Globe is available in 9" high efficiency polycarbonate or standard acrylic design. Optional brass banding and finial available. Housing and finial standard black. Other finish colors available. Consult your Streetworks Representative.

BALLAST
Easily accessible, tilt-back power module. Standard plug-in starter when applicable.

SOCKET
Mogul-base socket for 50W through 250W HPS and 175W and 250W Metal Halide; 50W through 150W MH is medium base socket.

PHOTOCONTROL
Photocontrol receptacle available.

HOUSING
Cast aluminum housing. Standard color is black. Other finish colors available. Consult your Streetworks Representative. ¹ ANSI wattage/source label.

MOUNTING
Post-top mount fits 3" O.D. tenons. Secures with three (3) square headed 1 1/4" polymer coated mounting bolts.

FINISH
Standard polyester powder coat finish in black. For more color options see optional color or consult your Streetworks representative for more information.

EPA:
Effective Projective Area: 1.7

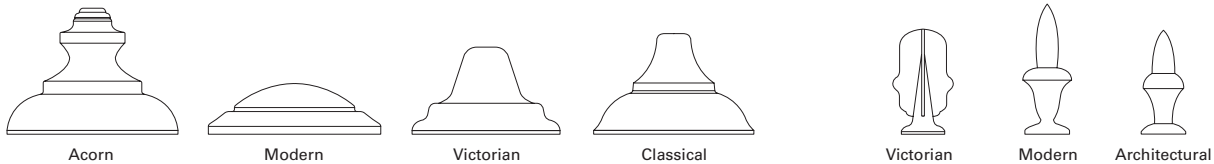
SHIPPING DATA
Approximate Net Weight: 30 lbs. (14 kgs.)

OPTIONS + ACCESSORIES [Must be ordered in alphanumeric order]

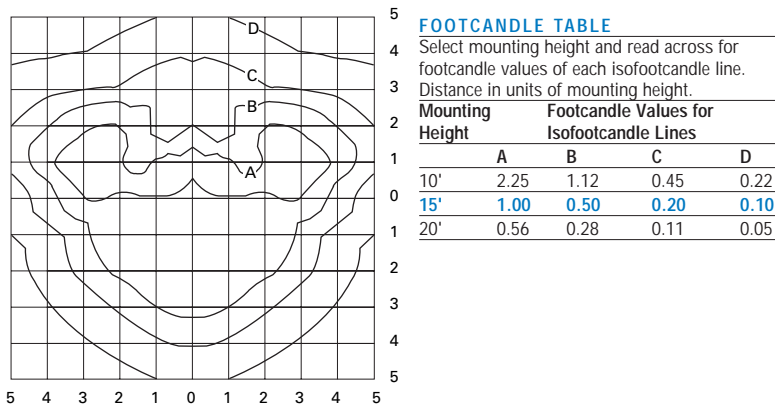
OPTIONS (add as suffix) 1=Single Fuse, Internally Mounted (120 or 277V) 2=Double Fuse, Internally Mounted (208, 240, or 480V) 4=NEMA Twistlock Photocontrol Receptacle WH=White	BZ =Bronze AP =Grey DP =Dark Platinum H =Hartford Green	P =Polycarbonate Refractor R =Internal Downlight Reflector U =UL/CSA Listed
--	--	--

ACCESSORIES (order separately)
AA1000=House Side Shield

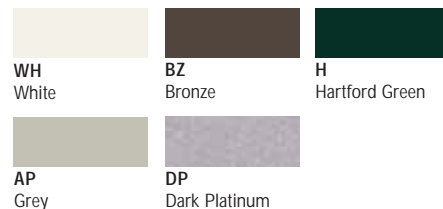
TOP + FINIAL OPTIONS



PHOTOMETRICS [Complete IES files available at www.cooperlighting.com]



OPTIONAL COLORS ⁷



WST15S31. IES
150-Watt HPS
16,000-Lumen Lamp
Type III with Clear Top

NOTE: 1 Refer to technical section for lamp/ballast/voltage compatibility. 2 Available in 120V only. 3 Medium-base porcelain socket standard, for 150W and below Metal Halide. 4 Available 50-150W, 120/240V or single voltage only. 5 When brass band is chosen, finial finished in gold. 6 Painted to match luminaire. 7 Standard color is black. Other finish colors available. Consult your Cooper Lighting representative.