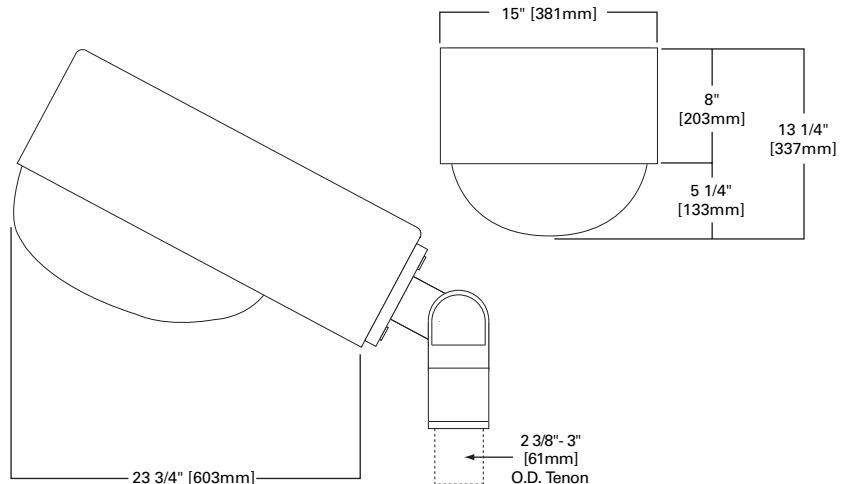


# ORL OFF ROADWAY LIGHT

ROADWAY LUMINAIRE

150-400W  
MH/HPS/MERCURY

STREETWORKS™

**PHOTOCONTROL**

Optional photocontrol receptacle.

**HOUSING**

Die-cast aluminum housing. Standard grey polyester powder coat finish. Other finish colors available. Consult your Streetworks Representative.

**DOOR**

Spring-loaded die-cast aluminum door sealed with a Dacron polyester filter. ANSI wattage/source label.

**LENS**

Borosilicate glass refractor and anodized aluminum hydroformed reflector

**SOCKET**

Porcelain screw-shell socket fits mogul-base HID lamps.

**BALLAST**

Removable swing-down ballast tray with quick disconnect.

**MOUNTING**

Adjustable slipfitter for 2 3/8"-3" O.D. tenon. Optional yoke or trunnion mount available with cord grip connector 14/16 3C STWA.

**ORDERING INFORMATION****SAMPLE NUMBER:** ORL15SWWXX

PRODUCT FAMILY	LAMP WATTAGE	LAMP TYPE <sup>2</sup>	BALLAST TYPE <sup>2</sup>	VOLTAGE <sup>2</sup>	DISTRIBUTION	OPTIONS + ACCESSORIES
ORL	15=150W <sup>1</sup> 25=250W 31=310W 40=400W	S=High Pressure Sodium V=Mercury M=Metal Halide	C=CWI M=Mag. Reg. W=CWA R=Reac./NPF P=Hi. Reac./NPF H=Reac.HPF N=Hi. Reac./NPF K=10 KV CWA	2=120V 0=208V 4=240V 7=277V 8=480V 9=347V P=240 w/PCR wired 120V W=Multi-Tap wired 120V N=Multi-Tap wired 277V V=Multi-Tap wired 240V	XX=Not Classified	(See Below)

**OPTIONS + ACCESSORIES** [Must be listed in the order shown and separated by a dash]**OPTIONS** (add as suffix)

1=Single Fuse, Internally Mounted (120 or 277V)  
 2=Double Fuse, Internally Mounted (208, 240, or 480V)  
 4=Photocontrol Receptacle  
 WH=White  
 BK=Black  
 BZ=Bronze  
 B=Two Position Terminal Block  
 H=Plug-in Starter  
 M=MOV Lighting Surge Protector <sup>3</sup>  
 P=Polycarbonate Refractor  
 T=Trunnion Mount  
 Y=Yoke Mount  
 U=UL/CSA Listed

**ACCESSORIES** (order separately)

OA/RA1016=105-285V Photocontrol  
 OA/RA1027=480V Photocontrol  
 OA1153=External Cutoff Shield (.90 EPA)  
 105N11=14" Wood Pole Mount Bracket

**OPTIONAL COLORS** [Standard color is grey, other finish colors available. Consult your Cooper Lighting representative]

		
WH White	BK Black	BZ Bronze

**EPA:**

Effective Projective Area:

Side 1.75

End 1.11

(EPA Calculated at 45°)

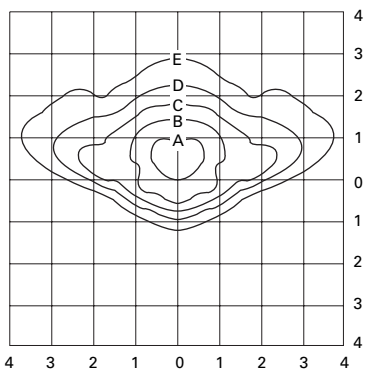
**SHIPPING DATA**

Approximate Net Weight:

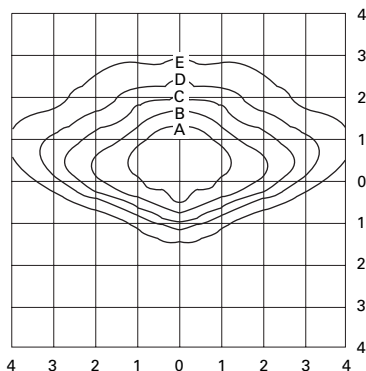
54 lbs. (25 kgs.)

**NOTE:** 1 150W units are for S55 lamp. 2 Refer to technical section for lamp/ballast/voltage compatibility. 3 MOV option is not available for any system requiring a three position terminal block (Example—120/240V incoming line). In order for MOV option to function center terminal of three position terminal block must be connected to "Earth" ground.

PHOTOMETRICS [Complete IES files available at [www.cooperlighting.com](http://www.cooperlighting.com)]



**ORL15S.IES**  
 150-Watt HPS  
 16,000-Lumen Clear Lamp  
 Tilt-35°



**ORL40S.IES**  
 400-Watt HPS  
 50,000-Lumen Clear Lamp  
 Tilt-35°

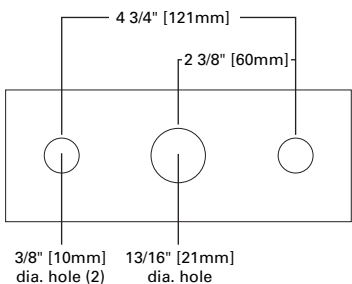
**FOOTCANDLE TABLE**

Select mounting height and read across for footcandle values of each isofootcandle line. Distance in units of mounting height.

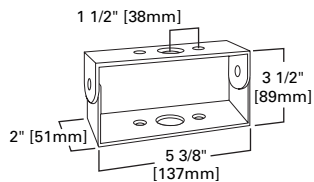
Mounting Height	Footcandle Values for Isofootcandle Lines				
	A	B	C	D	E
<b>ORL15S.IES</b>					
25'	2.88	1.44	0.72	0.36	0.14
30'	<b>2.00</b>	<b>1.00</b>	<b>0.50</b>	<b>0.25</b>	<b>0.10</b>
35'	1.50	0.75	0.38	0.19	0.07
<b>ORL40S.IES</b>					
35'	2.72	1.36	0.68	0.34	0.14
40'	<b>2.00</b>	<b>1.00</b>	<b>0.50</b>	<b>0.25</b>	<b>0.10</b>
45'	1.50	0.75	0.37	0.18	0.07

MOUNTING OPTIONS

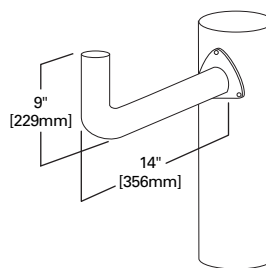
**Drilling Pattern for Yoke Mount**



**Drilling Pattern for Trunnion Mount**



**105N11 Wood Pole Bracket Slipfitter Mount 2 3/8" O.D.**



**OA1009 Wood Pole Bracket Trunnion Mount**

