

MEM/CEM EPIC MEDIUM

DECORATIVE AREA COLLECTION

50-175W
MH/HPS/QL

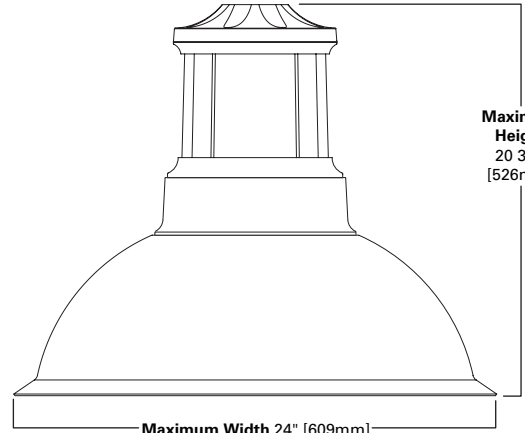


STREETWORKS™

IP65 RATED



NOTE: In all flat glass and solid mid sections configurations only.



NOTE: See MEM/CEM configurations on opposite page for more detailed information.

TOP

Cast aluminum housing maintains sidewall thickness and attaches to mounting arm hub with four (4) stainless steel fasteners.

MIDSECTION

Milky white acrylic lens utilizes continuous silicone gaskets to seal lens to top casting and shade. Optional colored luminous rings are available.

SHADES

Heavy gauge precision spun aluminum shades offer superior surface finish and consistency in form.

DOORFRAME ASSEMBLY

Die-cast aluminum 1/8" thick door and doorframe seal to underside of shade with a thick wall continuous silicone gasket.

OPTICAL SYSTEMS

Choice of five (5) high efficiency segmented optical systems constructed of premium 95% reflective anodized aluminum sheet.

ELECTRICAL TRAY

Ballast and related electrical components are mounted to a reinforced one piece tray with integral handle. Quick disconnect wiring plugs allow easy tray removal during routine maintenance.

FINISH

Housing finished in a 5 stage premium TGIC polyester powder coat paint, 2.5 mil nominal thickness for superior protection against fade and wear. Standard colors include black, bronze, grey, white, dark platinum, graphite metallic, and hartford green. RAL and custom color matches available. Consult your Streetworks Representative.

EPA:

Effective Projective Area:
Flat Lens .94
Sag Lens 1.04

SHIPPING DATA

Approximate Net Weight:
37 lbs. (17 kgs.)

ORDERING INFORMATION

SAMPLE NUMBER: MEM17MWW2SXS NBK

PRODUCT FAMILY ¹	LAMP WATTAGE	LAMP TYPE ⁴	BALLAST TYPE ⁴	VOLTAGE ⁴	DISTRIBUTION MA=Milk White Acrylic Jar ^{5,6}	MID SECTION TYPE	SHADE TYPE	COLOR	OPTIONS + ACCESSORIES
MEM=Modern Epic Medium	50=50W 70=70W 10=100W	M=Metal Halide S=High Pressure Sodium Q=Induction	C=CWI H=Reac./HPF K=10KV CWA N=Hi. Reac./NPF P=Hi. Reac./HPF R=Reac./NPF W=CWA I=Induction	2=120V 0=208V 4=240V 7=277V 8=480V 9=347V K=120/277V L=277/120V N=Multi-Tap W=Multi-Tap	2S=Type II 3R=Type III Glass ⁶ 3S=Type III Glass ⁶ 4S=Type IV 5R=Type V Glass ⁶ 5S=Type V SL=Spill Light Eliminator ⁷	1=Window 2=Louvered 3=Slot 4=Solid Rings 5=Luminous Rings 6=Luminous Rings—Red 7=Luminous Rings—Bright Blue 8=Luminous Rings—Deep Green 9=Luminous Rings—Warm Orange	SN=Straight Narrow SW=Straight Wide BL=Bell FL=Flute	(add as suffix/ must specify) ⁸ AP=Grey BK=Black BZ=Bronze DP=Dark Platinum GM=Graphite Metallic GN=Hartford Green WH=White	(See Below)
CEM=Classic Epic Medium	15=150W 17=175W								
	Electrodeless Fluorescent ³ 55=55W 85=85W								

OPTIONS + ACCESSORIES [Must be listed in the order shown and separated by a dash]

OPTIONS (add as suffix)

- 1=Single Fuse
- 2=Double Fuse
- C=Emergency Quartz—Separate Circuit*
- E=Emergency Quartz with Time Delay*
- F=Frosted Flat Glass
- H=House Side Shield¹⁰
- L=Lamp Included
- Q=Quartz Standby*
- R=Frosted Sag Glass
- V=Vandal Shield (100W Max.)
- W=Wire Guard
- S=Sag Glass
- M=Mogul-Base Socket
- PMT=Post Mount Tenon
- PM-PCR=NEMA Type Photocontrol Receptacle (Post Mount Only)
- NG=No Glow Luminous Mid Section¹¹

ACCESSORIES (order separately/replace XX with color suffix)
MEM Modern Epic Medium Arms

- [see page 14-15 for details on arm accessories]
- SA6105-XX=MEM Bishop Single Pole Mount Arm
- SA6106-XX=MEM Bishop Single Pole Mount Arm with Cross Rod
- SA6107-XX=MEM Bishop Twin Pole Mount Arm
- SA6108-XX=MEM Bishop Twin Pole Mount Arm with Cross Rods
- SA6109-XX=MEM Traditional Single Pole Mount Arm
- SA6110-XX=MEM Traditional Single Pole Mount Arm with Rounded Upper Bar
- SA6111-XX=MEM Traditional Single Pole Mount Arm with Rounded Lower Bar¹²

- SA6112-XX=MEM Traditional Single Pole Mount Arm with 45° Upper Bar
- SA6113-XX=MEM Traditional Single Pole Mount Arm with 45° Lower Bar¹²
- SA6114-XX=MEM Traditional Single Pole Mount Arm with 45° Upper Strap
- SA6116-XX=MEM Traditional Twin Pole Mount Arm
- SA6117-XX=MEM Traditional Twin Pole Mount Arm with Rounded Upper Bars
- SA6118-XX=MEM Traditional Twin Pole Mount Arm with Rounded Lower Bars¹²
- SA6119-XX=MEM Traditional Twin Pole Mount Arm with 45° Upper Bars
- SA6120-XX=MEM Traditional Twin Pole Mount Arm with 45° Lower Bars¹²
- SA6121-XX=MEM Traditional Twin Pole Mount Arm with 45° Upper Straps
- SA6122-XX=MEM Tenon Adapter for 2 3/8" O.D. Horizontal Tenon

CEM Modern Epic Medium Arms

- [see page 14-15 for details on arm accessories]
- SA6154-XX=CEM Bishop Single Pole Mount Arm
- SA6155-XX=CEM Bishop Single Pole Mount Arm with Cross Rod
- SA6156-XX=CEM Bishop Twin Pole Mount Arm
- SA6157-XX=CEM Bishop Twin Pole Mount Arm with Cross Rods
- SA6158-XX=CEM Traditional Single Pole Mount Arm
- SA6159-XX=CEM Traditional Single Pole Mount Arm with Rounded Upper Bar
- SA6160-XX=CEM Traditional Single Pole Mount Arm with Rounded Lower Bar¹²

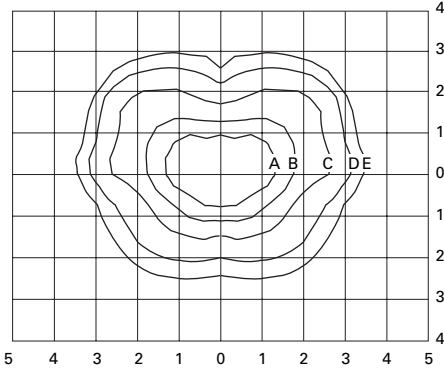
- SA6161-XX=CEM Traditional Single Pole Mount Arm with 45° Upper Bar
- SA6162-XX=CEM Traditional Single Pole Mount Arm with 45° Lower Bar¹²
- SA6163-XX=CEM Traditional Single Pole Mount Arm with 45° Upper Strap
- SA6165-XX=CEM Traditional Twin Pole Mount Arm
- SA6166-XX=CEM Traditional Twin Pole Mount Arm with Rounded Upper Bars
- SA6167-XX=CEM Traditional Twin Pole Mount Arm with Rounded Lower Bars¹²
- SA6168-XX=CEM Traditional Twin Pole Mount Arm with 45° Upper Bars
- SA6169-XX=CEM Traditional Twin Pole Mount Arm with 45° Lower Bars¹²
- SA6170-XX=CEM Traditional Twin Pole Mount Arm with 45° Upper Straps
- SA6172-XX=CEM Tenon Adapter for 2 3/8" O.D. Horizontal Tenon
- OA/RA1016=NEMA Photocontrol—Multi-Tap
- OA/RA1027=NEMA Photocontrol—480V
- OA/RA1201=NEMA Photocontrol—Multi-Tap (347V)

ACCESSORY OPTIONS (add as suffix to accessory)

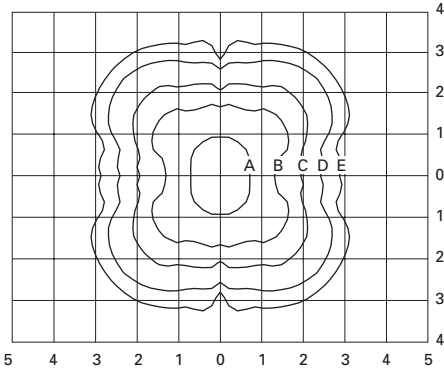
- M=Modern Finial¹³
- A=Architectural Finial¹³
- N=Nostalgic Finial¹³
- 4=NEMA Twistlock Photocontrol Receptacle¹⁴

NOTE: 1 Arms not included. Order Separately. See accessories. 2 All HID lamps are medium-base. 3 Electrodeless Fluorescent QL lamp only. Available in vertically lamped optical systems only. 120V only. 4 Refer to technical section for lamp/ballast/voltage compatibility. 5 Maximum wattage of 100W HID. 6 Vertical Lamp Only. 7 SLE only available with Solid Mid selection or with NG option. 8 Custom and RAL color matching available upon request. Consult your Cooper Lighting Representative for more information. 9 Quartz options not available on SL optic or vertical lamped optical systems. 10 House side shields available on horizontally lamped 2S, 3S, and 4S optical systems only. 11 NG option retains daytime appeal of window, louvered, slot, solid rings, or luminous rings mid section styles, but does not allow light into the upper chamber of the housing. Mid section will not glow at night, maintaining the cutoff control associated with the standard solid mid section. 12 Requires use of 4" O.D. round straight pole. 13 Traditional Arm Only. 14 Not compatible with finials.

PHOTOMETRICS [Complete IES files available at www.cooperlighting.com]



MEM17M3SX.IES
175-Watt MH
14,000-Lumen Clear ED-17 Lamp
Segmented Type III



MEM17M5SX.IES
175-Watt MH
14,000-Lumen Clear ED-17 Lamp
Segmented Type V

FOOTCANDLE TABLE

Select mounting height and read across for footcandle values of each isofootcandle line. Distance in units of mounting height.

Mounting Height	Footcandle Values for Isofootcandle Lines				
	A	B	C	D	E
MEM17M3SX.IES					
10'	8.00	4.00	2.00	0.80	0.40
15'	3.40	1.70	0.85	0.34	0.17
20'	2.00	1.00	0.50	0.20	0.10
MEM17M5SX.IES					
10'	8.00	4.00	2.00	0.80	0.40
15'	3.40	1.70	0.85	0.34	0.17
20'	2.00	1.00	0.50	0.20	0.10

CONFIGURATIONS

HOUSING	MID SECTION	SHADE	FINIALS
 Classical - 8.6"H x 8.7"W	 Solid - 3.4"H x 9.9"W	 Straight Narrow - 6.6"H x 19.1"W	 Architectural
 Modern - 9.3" H x 8.8" W	 Window - 3.4"H x 9.9"W	 Straight Wide - 5.1"H x 23.9"W	 Modern
	 Louvered - 3.4"H x 9.9"W	 Bell - 8"H x 24"W	 Nostalgic
	 Slot - 3.4"H x 9.9"W	 Flute - 6"H x 22.5"W	
	 Solid Rings - 3.4"H x 12"W		
	 Luminous Rings - 3.4"H x 12"W		

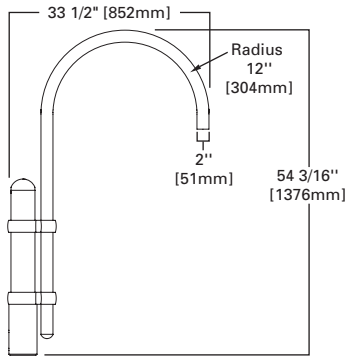
OPTIONAL COLORS [Other finish colors available. Consult your Cooper Lighting representative]

WH White	BK Black	BZ Bronze	AP Grey	DP Dark Platinum	GM Graphite Metallic	H Hartford Green

EPIC COLLECTION ARMS

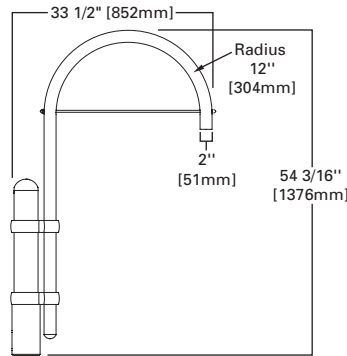
DECORATIVE AREA COLLECTION

ARMS SPECIFICATIONS



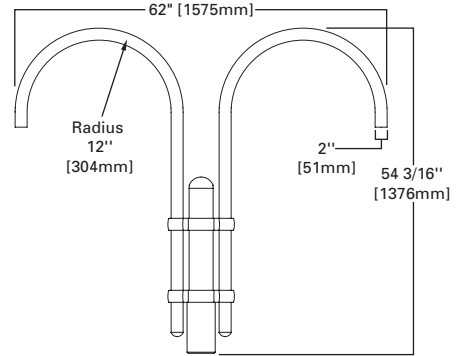
BISHOP SINGLE POLE MOUNT ARM

[SA6105, SA6154, SA6005, SA6054]
Slipfits over 4" round straight pole, or 4" O.D. by 6" tall tenon.
Weight: 24 lbs. **E.P.A.:** .92



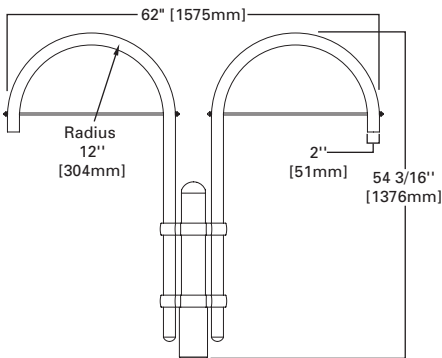
BISHOP SINGLE POLE MOUNT ARM WITH CROSS ROD

[SA6106, SA6155, SA6006, SA6055]
Slipfits over 4" round straight pole, or 4" O.D. by 6" tall tenon.
Weight: 25 lbs. **E.P.A.:** .98



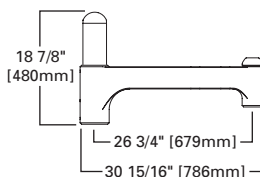
BISHOP TWIN POLE MOUNT ARM

[SA6107, SA6156, SA6007, SA6056]
Slipfits over 4" round straight pole, or 4" O.D. by 6" tall tenon.
Weight: 37 lbs. **E.P.A.:** 1.43



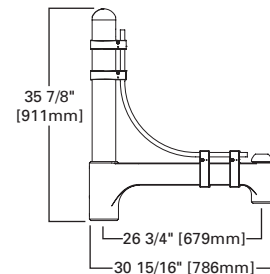
BISHOP TWIN POLE MOUNT ARM WITH CROSS RODS

[SA6108, SA6157, SA6008, SA6057]
Slipfits over 4" round straight pole, or 4" O.D. by 6" tall tenon.
Weight: 39 lbs. **E.P.A.:** 1.55



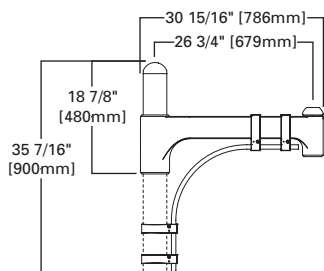
TRADITIONAL SINGLE POLE MOUNT ARM

[SA6109, SA6158, SA6009, SA6058]
Slipfits over 4" round straight pole, or 4" O.D. by 6" tall tenon.
Weight: 20 lbs. **E.P.A.:** .86



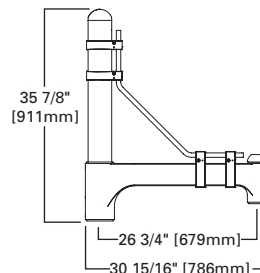
TRADITIONAL SINGLE POLE MOUNT ARM WITH ROUNDED UPPER BAR

[SA6110, SA6159, SA6010, SA6059]
Slipfits over 4" round straight pole, or 4" O.D. by 6" tall tenon.
Weight: 28 lbs. **E.P.A.:** 1.4



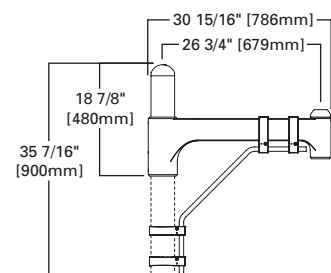
TRADITIONAL SINGLE POLE MOUNT ARM WITH ROUNDED LOWER BAR

[SA6111, SA6160, SA6011, SA6060]
Slipfits over 4" round straight pole, or 4" O.D. by 6" tall tenon. Requires use of 4" O.D. Round Straight Pole
Weight: 25 lbs. **E.P.A.:** 1.16



TRADITIONAL SINGLE POLE MOUNT ARM WITH 45° UPPER BAR

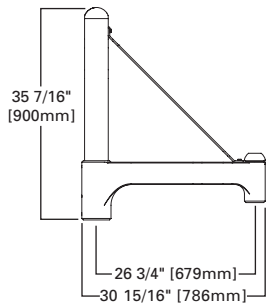
[SA6112, SA6161, SA6012, SA6061]
Slipfits over 4" round straight pole, or 4" O.D. by 6" tall tenon.
Weight: 28 lbs. **E.P.A.:** 1.38



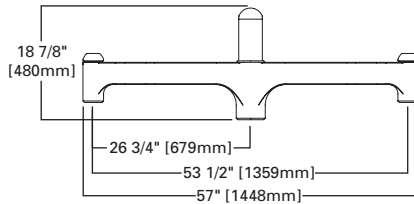
TRADITIONAL SINGLE POLE MOUNT ARM WITH 45° LOWER BAR

[SA6113, SA6162, SA6013, SA6062]
Slipfits over 4" round straight pole, or 4" O.D. by 6" tall tenon. Requires use of 4" O.D. Round Straight Pole
Weight: 25 lbs. **E.P.A.:** 1.14

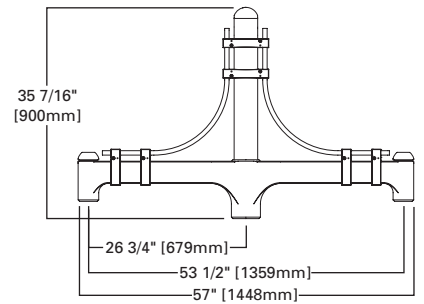
ARMS SPECIFICATIONS (CON'T.)



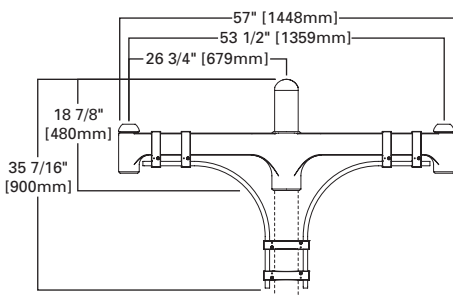
TRADITIONAL SINGLE POLE MOUNT ARM WITH 45° UPPER STRAP
 [SA6114, SA6163, SA6014, SA6063]
 Slipfits over 4" round straight pole, or 4" O.D. by 6" tall tenon.
Weight: 24 lbs. **E.P.A.:** 1.17



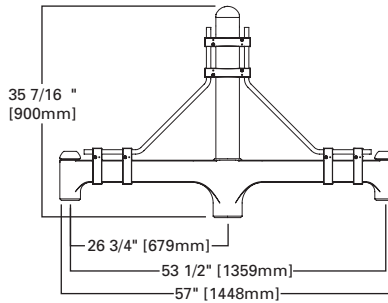
TRADITIONAL TWIN POLE MOUNT ARM
 [SA6116, SA6165, SA6016, SA6065]
 Slipfits over 4" round straight pole, or 4" O.D. by 6" tall tenon.
Weight: 30 lbs. **E.P.A.:** 1.44



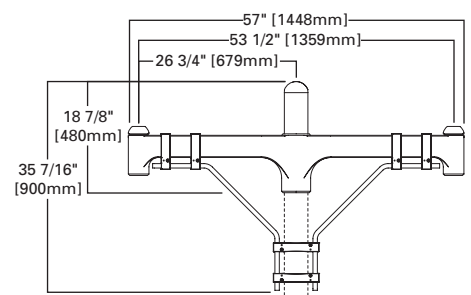
TRADITIONAL TWIN POLE MOUNT ARM WITH ROUNDED UPPER BARS
 [SA6117, SA6166, SA6017, SA6066]
 Slipfits over 4" round straight pole, or 4" O.D. by 6" tall tenon.
Weight: 43 lbs. **E.P.A.:** 2.28



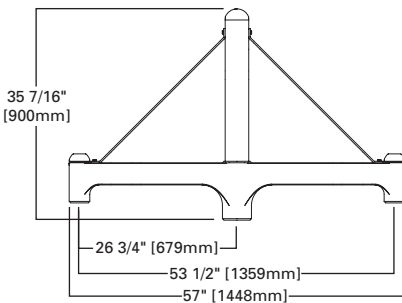
TRADITIONAL TWIN POLE MOUNT ARM WITH ROUNDED LOWER BARS
 [SA6118, SA6167, SA6018, SA6067]
 Slipfits over 4" round straight pole, or 4" O.D. by 6" tall tenon. Requires use of 4" O.D. Round Straight Pole
Weight: 40 lbs. **E.P.A.:** 2.04



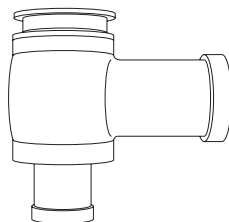
TRADITIONAL TWIN POLE MOUNT ARM WITH 45° UPPER BARS
 [SA6119, SA6168, SA6019, SA6068]
 Slipfits over 4" round straight pole, or 4" O.D. by 6" tall tenon.
Weight: 43 lbs. **E.P.A.:** 2.24



TRADITIONAL TWIN POLE MOUNT ARM WITH 45° LOWER BARS
 [SA6120, SA6169, SA6020, SA6069]
 Slipfits over 4" round straight pole, or 4" O.D. by 6" tall tenon. Requires use of 4" O.D. Round Straight Pole
Weight: 40 lbs. **E.P.A.:** 2.0



TRADITIONAL TWIN POLE MOUNT ARM WITH 45° UPPER STRAPS
 [SA6121, SA6170, SA6021, SA6070]
 Slipfits over 4" round straight pole, or 4" O.D. by 6" tall tenon.
Weight: 37 lbs. **E.P.A.:** 1.81



TENON ADAPTER
 [SA6022, SA6071, SA6122, SA6172]
 Attaches to a 2 3/8" O.D. horizontal tenon.
Weight: 4 lbs. **E.P.A.:** .08