

MEL/CEL EPIC LARGE

DECORATIVE AREA COLLECTION

55-400W
MH/HPS/QL

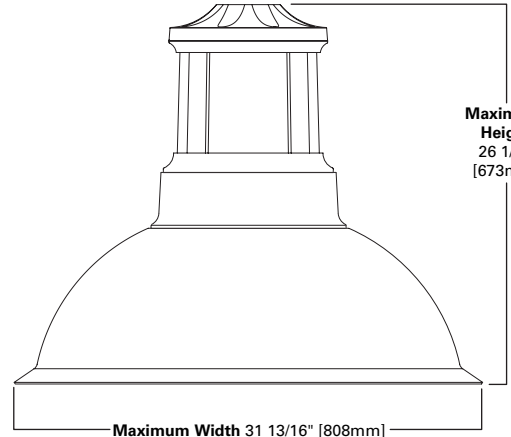


STREETWORKS™

IP65 RATED



NOTE: In all flat glass and solid mid sections configurations only.



NOTE: See MEL/CEL configurations on opposite page for more detailed information.

TOP

Cast aluminum housing maintains sidewall thickness and attaches to mounting arm hub with four (4) stainless steel fasteners.

MIDSECTION

Milky white acrylic lens utilizes continuous silicone gaskets to seal lens to top casting and shade. Optional colored luminous rings are available.

SHADES

Heavy gauge precision spun aluminum shades offer superior surface finish and consistency in form.

DOORFRAME ASSEMBLY

Die-cast aluminum 1/8" thick door and doorframe seal to underside of shade with a thick wall continuous silicone gasket.

OPTICAL SYSTEMS

Choice of five (5) high efficiency segmented optical systems constructed of premium 95% reflective anodized aluminum sheet.

ELECTRICAL TRAY

Ballast and related electrical componentry are mounted to a reinforced one piece tray with integral handle. Quick disconnect wiring plugs allow easy tray removal during routine maintenance.

FINISH

Housing finished in a 5 stage premium TGIC polyester powder coat paint, 2.5 mil nominal thickness for superior protection against fade and wear. Standard colors include black, bronze, grey, white, dark platinum, graphite metallic, and hartford green. RAL and custom color matches available. Consult your Streetworks Representative.

EPA:

Effective Projective Area:

Flat Lens 1.55

Sag Lens 1.75

SHIPPING DATA

Approximate Net Weight:

50 lbs. (23 kgs.)

ORDERING INFORMATION

SAMPLE NUMBER: MEL25MWW2SXS WBK

PRODUCT FAMILY ¹	LAMP WATTAGE	LAMP TYPE ⁶	BALLAST TYPE ⁶	VOLTAGE ⁶	DISTRIBUTION	MID SECTION TYPE	SHADE TYPE	COLOR	OPTIONS + ACCESSORIES
MEL=Modern Epic Large	15=150W	M=Metal Halide	C=CWI	2=120V	MA=Milk White Acrylic Jar ⁷	X=Solid (Standard)	SW=Straight Wide	(add as suffix/ must specify) ⁹	(See Below)
CEL=Classic Epic Large	17=175W	S=High Pressure Sodium	H=Reac./HPF	0=208V	2S=Type II	1=Window	BL=Bell	AP=Grey	
	25=250W	Q=Induction	K=10KV CWA	4=240V	3S=Type III	2=Louvered	FL=Flute	BK=Black	
	32=320W ³		N=Hi. Reac./NPF	7=277V	4S=Type IV	3=Slot		BZ=Bronze	
	35=350W ³		P=Hi. Reac./HPF	8=480V	5S=Type V	4=Solid Rings		DP=Dark Platinum	
	40=400W ⁴		R=Reac./NPF	9=347V	SL=Spill Light Eliminator ⁸	5=Luminous Rings		GM=Graphite Metallic	
	Electrodeless Fluorescent ⁵		W=CWA	K=120/277V wired 120V		Optional Mid Section Type		GN=Hartford Green	
	55=55W		I=Induction	L=277/120V wired 277V		6=Luminous Rings—Red		WH=White	
	85=85W			N=Multi-Tap Wired 277V		7=Luminous Rings—Bright Blue			
				W=Multi-Tap Wired 120V		8=Luminous Rings—Deep Green			
						9=Luminous Rings—Warm Orange			

OPTIONS + ACCESSORIES [Must be listed in the order shown and separated by a dash]

OPTIONS (add as suffix)

- 1=Single Fuse
- 2=Double Fuse
- C=Emergency Quartz—Separate Circuit¹⁰
- D=Dual Fluorescent Switching Control¹¹
- E=Emergency Quartz with Time Delay¹⁰
- F=Frosted Flat Glass
- H=House Side Shield¹²
- L=Lamp Included
- Q=Quartz Standby¹⁰
- R=Frosted Sag Glass
- S=Sag Glass
- PMT=Post Mount Tenon
- PM-PCR=NEMA Type Photocontrol Receptacle (Post Mount Only)
- NG=No Glow Luminous Mid Section¹³

ACCESSORIES (order separately/replace XX with color suffix)

- MEL Modern Epic Large Arms**
- [see page 14-15 for details on arm accessories]
- SA6005-XX=MEL Bishop Single Pole Mount Arm
- SA6006-XX=MEL Bishop Single Pole Mount Arm with Cross Rod
- SA6007-XX=MEL Bishop Twin Pole Mount Arm
- SA6008-XX=MEL Bishop Twin Pole Mount Arm with Cross Rods
- SA6009-XX=MEL Traditional Single Pole Mount Arm
- SA6010-XX=MEL Traditional Single Pole Mount Arm with Rounded Upper Bar
- SA6011-XX=MEL Traditional Single Pole Mount Arm with Rounded Lower Bar¹⁴

- SA6012-XX=MEL Traditional Single Pole Mount Arm with 45° Upper Bar
- SA6013-XX=MEL Traditional Single Pole Mount Arm with 45° Lower Bar¹⁴
- SA6014-XX=MEL Traditional Single Pole Mount Arm with 45° Upper Strap
- SA6016-XX=MEL Traditional Twin Pole Mount Arm with Rounded Lower Bars
- SA6017-XX=MEL Traditional Twin Pole Mount Arm with Rounded Upper Bars
- SA6018-XX=MEL Traditional Twin Pole Mount Arm with 45° Upper Bars
- SA6019-XX=MEL Traditional Twin Pole Mount Arm with 45° Upper Bars
- SA6020-XX=MEL Traditional Twin Pole Mount Arm with 45° Lower Bars¹⁴
- SA6021-XX=MEL Traditional Twin Pole Mount Arm with 45° Upper Straps
- SA6022-XX=MEL Tenon Adapter for 2 3/8" O.D. Horizontal Tenon

CEL Modern Epic Large Arms

- [see page 14-15 for details on arm accessories]
- SA6054-XX=CEL Bishop Single Pole Mount Arm
- SA6055-XX=CEL Bishop Single Pole Mount Arm with Cross Rod
- SA6056-XX=CEL Bishop Twin Pole Mount Arm with Cross Rods
- SA6057-XX=CEL Bishop Twin Pole Mount Arm with Cross Rods
- SA6058-XX=CEL Traditional Single Pole Mount Arm
- SA6059-XX=CEL Traditional Single Pole Mount Arm with Rounded Upper Bar

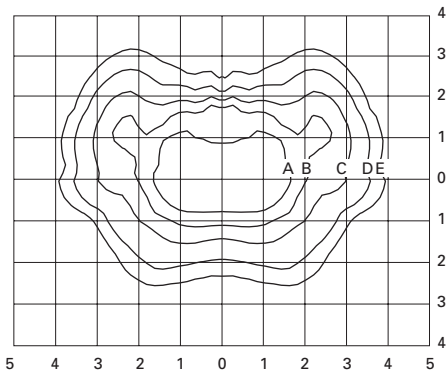
- SA6060-XX=CEL Traditional Single Pole Mount Arm with Rounded Lower Bar¹⁴
- SA6061-XX=CEL Traditional Single Pole Mount Arm with 45° Upper Bar
- SA6062-XX=CEL Traditional Single Pole Mount Arm with 45° Lower Bar¹⁴
- SA6063-XX=CEL Traditional Single Pole Mount Arm with 45° Upper Strap
- SA6065-XX=CEL Traditional Twin Pole Mount Arm
- SA6066-XX=CEL Traditional Twin Pole Mount Arm with Rounded Upper Bars
- SA6067-XX=CEL Traditional Twin Pole Mount Arm with Rounded Lower Bars¹⁴
- SA6068-XX=CEL Traditional Twin Pole Mount Arm with 45° Upper Bars
- SA6069-XX=CEL Traditional Twin Pole Mount Arm with 45° Lower Bars¹⁴
- SA6070-XX=CEL Traditional Twin Pole Mount Arm with 45° Upper Straps
- SA6071-XX=CEL Tenon Adapter for 2 3/8" O.D. Horizontal Tenon
- OA/RA1016=NEMA Photocontrol—Multi-Tap
- OA/RA1027=NEMA Photocontrol—480V
- OA/RA1201=NEMA Photocontrol—Multi-Tap (347V)

ACCESSORY OPTIONS (add as suffix to accessory)

- M=Modern Finial¹⁵
- A=Architectural Finial¹⁵
- N=Nostalgic Finial¹⁵
- 4=NEMA Twistlock Photocontrol Receptacle¹⁶

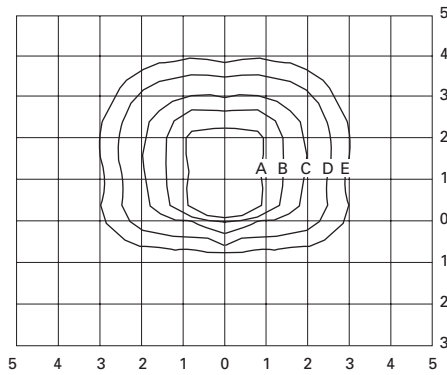
NOTE: 1 Arms not included. Order Separately. See accessories. 2 All HID lamps are mogul-base. 3 320 and 350W Pulse Start Metal Halide only. 4 400W MH requires reduced envelope ED28 Lamp. 5 Electrodeless Fluorescent QL lamp only. Available in vertically lamped optical systems and Type 3S and 5S distribution only. 120V only. 6 Refer to technical section for lamp/ballast/voltage compatibility. 7 Vertical lamp option only. Maximum wattage of 250W HID. 8 SLE only available with Solid Mid selection or with NG option. 9 Custom and RAL color matching available upon request. Consult your Cooper Lighting Representative for more information. 10 Quartz options not available with SL optic or vertical lamped optical systems. 11 Dual switching requires dual 57W or dual 70W Compact Fluorescent lamps, and allows independent switching control of each lamp through use of two (2) electronic ballasts. Allows 50% power reduction when dual ballasts are independently wired and controlled. 12 House side shield available on horizontally lamped 2S, 3S, and 4S optical systems only. 13 NG option retains daytime appeal of window, louvered, slot, solid rings, or luminous rings mid section styles, but does not allow light into the upper chamber of the housing. Mid section will not glow at night, maintaining the cutoff control associated with the standard solid mid section. 14 Requires use of 4" O.D. round straight pole. 15 Finials compatible with Traditional Arms only. 16 Not compatible with finials.

PHOTOMETRICS [Complete IES files available at www.cooperlighting.com]



MEL40M3SX.IES

400-Watt MH
36,000-Lumen Clear ED-28 Lamp
Segmented Type III



MEL40MSLX.IES

400-Watt MH
36,000-Lumen Clear ED-28 Lamp
SL [Spill Light Eliminator]

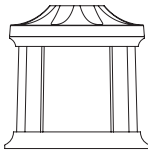
FOOTCANDLE TABLE

Select mounting height and read across for footcandle values of each isofootcandle line. Distance in units of mounting height.

Mounting Height	Footcandle Values for Isofootcandle Lines				
	A	B	C	D	E
MEL40M3SX.IES					
20'	3.00	1.50	0.75	0.30	0.15
25'	2.00	1.00	0.50	0.20	0.10
30'	1.38	0.69	0.34	0.13	0.06
MEL40MSLX.IES					
20'	3.00	1.50	0.75	0.30	0.15
25'	2.00	1.00	0.50	0.20	0.10
30'	1.38	0.69	0.34	0.13	0.06

CONFIGURATIONS

HOUSING



Classical - 12.2"H x 12"W



Modern - 12.8"H x 12.1"W

MID SECTION



Solid - 3.8"H x 13.4"W



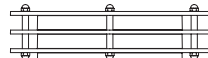
Window - 3.8"H x 13.4"W



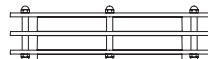
Louvered - 3.8"H x 13.4"W



Slot - 3.8"H x 13.4"W



Solid Rings - 3.8"H x 15.8"W

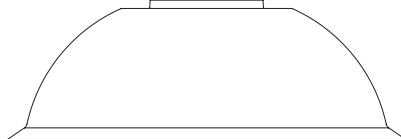


Luminous Rings - 3.8"H x 15.8"W

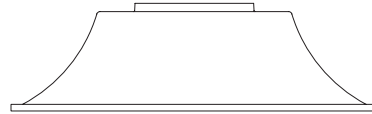
SHADE



Straight Wide - 6.6"H x 30"W

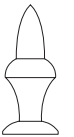


Bell - 9.9"H x 30"W



Flute - 8.4"H x 31.8"W

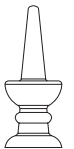
FINIALS



Architectural



Modern



Nostalgic

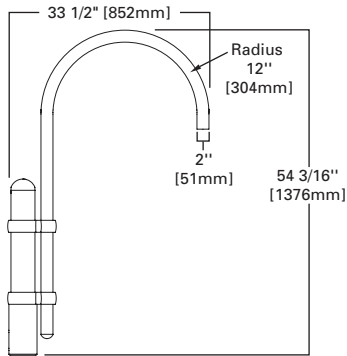
OPTIONAL COLORS [Other finish colors available. Consult your Cooper Lighting representative]



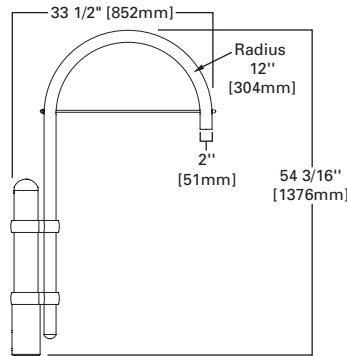
EPIC COLLECTION ARMS

DECORATIVE AREA COLLECTION

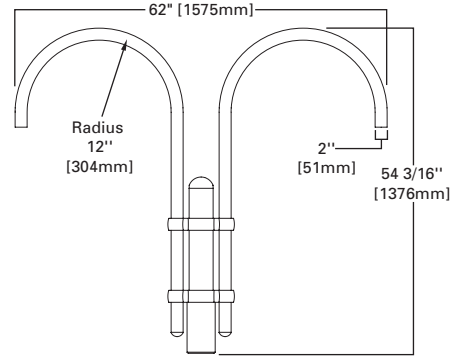
ARMS SPECIFICATIONS



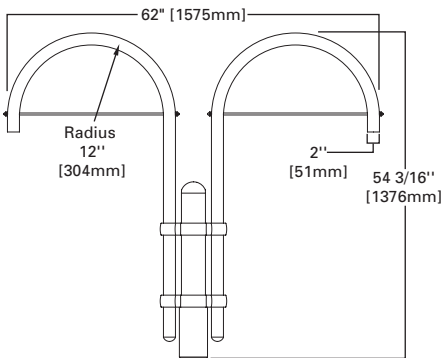
BISHOP SINGLE POLE MOUNT ARM
 [SA6105, SA6154, SA6005, SA6054]
 Slipfits over 4" round straight pole, or 4" O.D. by 6" tall tenon.
Weight: 24 lbs. **E.P.A.:** .92



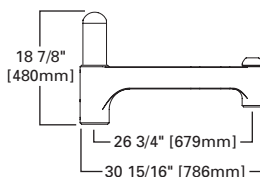
BISHOP SINGLE POLE MOUNT ARM WITH CROSS ROD
 [SA6106, SA6155, SA6006, SA6055]
 Slipfits over 4" round straight pole, or 4" O.D. by 6" tall tenon.
Weight: 25 lbs. **E.P.A.:** .98



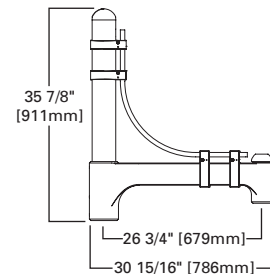
BISHOP TWIN POLE MOUNT ARM
 [SA6107, SA6156, SA6007, SA6056]
 Slipfits over 4" round straight pole, or 4" O.D. by 6" tall tenon.
Weight: 37 lbs. **E.P.A.:** 1.43



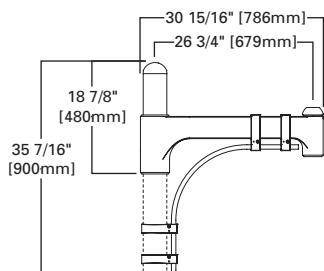
BISHOP TWIN POLE MOUNT ARM WITH CROSS RODS
 [SA6108, SA6157, SA6008, SA6057]
 Slipfits over 4" round straight pole, or 4" O.D. by 6" tall tenon.
Weight: 39 lbs. **E.P.A.:** 1.55



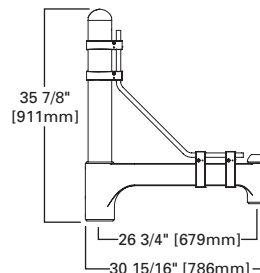
TRADITIONAL SINGLE POLE MOUNT ARM
 [SA6109, SA6158, SA6009, SA6058]
 Slipfits over 4" round straight pole, or 4" O.D. by 6" tall tenon.
Weight: 20 lbs. **E.P.A.:** .86



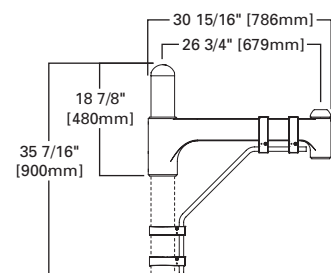
TRADITIONAL SINGLE POLE MOUNT ARM WITH ROUNDED UPPER BAR
 [SA6110, SA6159, SA6010, SA6059]
 Slipfits over 4" round straight pole, or 4" O.D. by 6" tall tenon.
Weight: 28 lbs. **E.P.A.:** 1.4



TRADITIONAL SINGLE POLE MOUNT ARM WITH ROUNDED LOWER BAR
 [SA6111, SA6160, SA6011, SA6060]
 Slipfits over 4" round straight pole, or 4" O.D. by 6" tall tenon. Requires use of 4" O.D. Round Straight Pole
Weight: 25 lbs. **E.P.A.:** 1.16

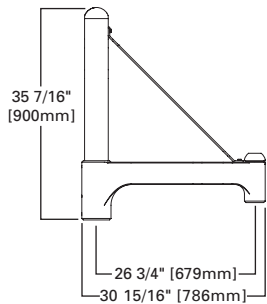


TRADITIONAL SINGLE POLE MOUNT ARM WITH 45° UPPER BAR
 [SA6112, SA6161, SA6012, SA6061]
 Slipfits over 4" round straight pole, or 4" O.D. by 6" tall tenon.
Weight: 28 lbs. **E.P.A.:** 1.38

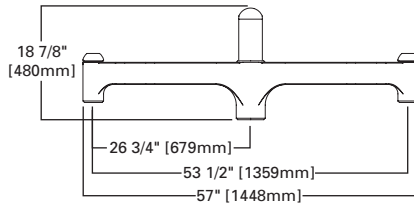


TRADITIONAL SINGLE POLE MOUNT ARM WITH 45° LOWER BAR
 [SA6113, SA6162, SA6013, SA6062]
 Slipfits over 4" round straight pole, or 4" O.D. by 6" tall tenon. Requires use of 4" O.D. Round Straight Pole
Weight: 25 lbs. **E.P.A.:** 1.14

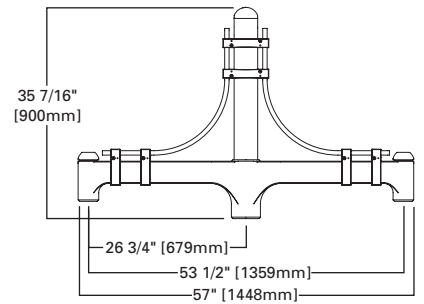
ARMS SPECIFICATIONS (CON'T.)



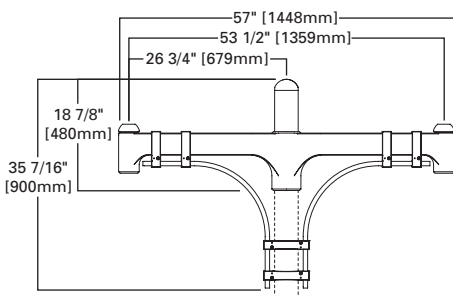
TRADITIONAL SINGLE POLE MOUNT ARM WITH 45° UPPER STRAP
 [SA6114, SA6163, SA6014, SA6063]
 Slipfits over 4" round straight pole, or 4" O.D. by 6" tall tenon.
Weight: 24 lbs. **E.P.A.:** 1.17



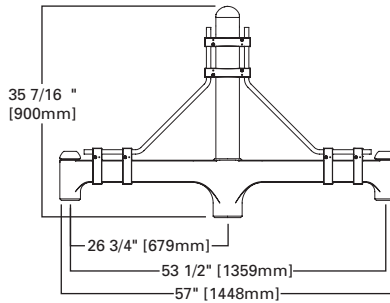
TRADITIONAL TWIN POLE MOUNT ARM
 [SA6116, SA6165, SA6016, SA6065]
 Slipfits over 4" round straight pole, or 4" O.D. by 6" tall tenon.
Weight: 30 lbs. **E.P.A.:** 1.44



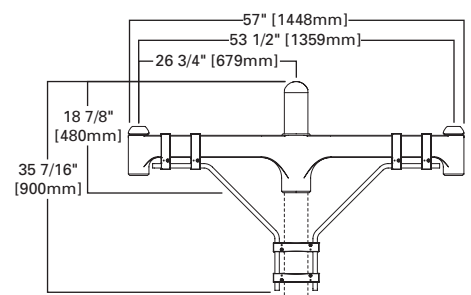
TRADITIONAL TWIN POLE MOUNT ARM WITH ROUNDED UPPER BARS
 [SA6117, SA6166, SA6017, SA6066]
 Slipfits over 4" round straight pole, or 4" O.D. by 6" tall tenon.
Weight: 43 lbs. **E.P.A.:** 2.28



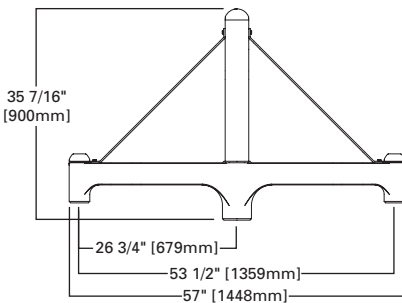
TRADITIONAL TWIN POLE MOUNT ARM WITH ROUNDED LOWER BARS
 [SA6118, SA6167, SA6018, SA6067]
 Slipfits over 4" round straight pole, or 4" O.D. by 6" tall tenon. Requires use of 4" O.D. Round Straight Pole
Weight: 40 lbs. **E.P.A.:** 2.04



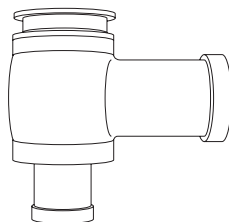
TRADITIONAL TWIN POLE MOUNT ARM WITH 45° UPPER BARS
 [SA6119, SA6168, SA6019, SA6068]
 Slipfits over 4" round straight pole, or 4" O.D. by 6" tall tenon.
Weight: 43 lbs. **E.P.A.:** 2.24



TRADITIONAL TWIN POLE MOUNT ARM WITH 45° LOWER BARS
 [SA6120, SA6169, SA6020, SA6069]
 Slipfits over 4" round straight pole, or 4" O.D. by 6" tall tenon. Requires use of 4" O.D. Round Straight Pole
Weight: 40 lbs. **E.P.A.:** 2.0



TRADITIONAL TWIN POLE MOUNT ARM WITH 45° UPPER STRAPS
 [SA6121, SA6170, SA6021, SA6070]
 Slipfits over 4" round straight pole, or 4" O.D. by 6" tall tenon.
Weight: 37 lbs. **E.P.A.:** 1.81



TENON ADAPTER
 [SA6022, SA6071, SA6122, SA6172]
 Attaches to a 2 3/8" O.D. horizontal tenon.
Weight: 4 lbs. **E.P.A.:** .08