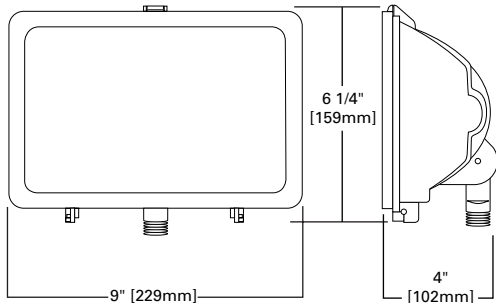


## DESCRIPTION

The Lumark QZ Wedge is a compact, economical alternative to traditional outdoor floodlighting. The black or white finishes provide lasting durability with optics that deliver optimum beam control. U.L. listed and labeled for wet locations. CSA certified.

## SPECIFICATION FEATURES

- Die-cast aluminum housing finished in black or white paint for lasting durability
- Adjustable stem mounting arm fits 1/2" NPS outlet box cover
- Anodized aluminum reflector provides maximum beam control and efficiency
- Porcelain lamp sockets for 300-500W quartz lamp
- Heat- and weather-resistant gasketing seals out external contaminants
- Hinged door frame has toolless entry latch
- U.L. listed for wet locations. CSA certified
- Approximate net weight: 3 lbs. (1 kgs.)



## QZ WEDGE

**300 - 500 W**  
Quartz

FLOODLIGHT

## ORDERING INFORMATION

SAMPLE NUMBER: QZ3L

<b>Lamp Type</b> Q=Quartz	<b>Fixture</b> Z=Wedge	<b>Lamp Wattage</b> 3=300W 5=500W	<b>Lamp</b> L=Lamp Included	<b>Options</b> (add as suffix) WHT=White  <b>Accessories</b> (order separately) NKS-BZ=2" Slipfitter—Bronze NKS-WHT=2" Slipfitter—White
------------------------------	---------------------------	-----------------------------------------	-----------------------------------	--------------------------------------------------------------------------------------------------------------------------------------------------------

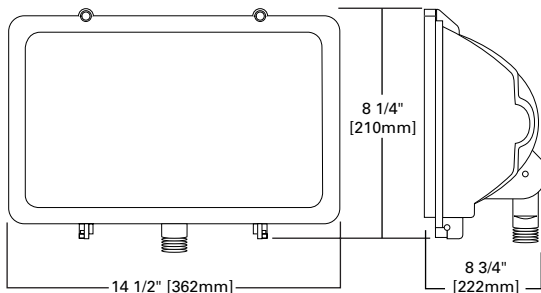
**NOTES:** 1 Standard unit has 1/2" NPT threaded knuckle for mounting. 2" slipfitter is available as an accessory. 2 120 Volt operation only. 3 Specifications and dimensions subject to change without notice.

## DESCRIPTION

The Lumark LQL1500 has a heat- and impact-resistant clear glass lens, mounted in a gasketed, die-cast hinged aluminum door with captive screw fasteners for positive latching. U.L. listed and labeled for wet locations. CSA certified.

## SPECIFICATION FEATURES

- Captive screw fasteners provide positive weatherproof seal
- Finished in dark bronze paint
- Clear tempered glass lens is heat- and impact-resistant
- Quartz lamp provides white light for excellent color rendition
- Die-cast aluminum door is sealed with full-circumference gasketing to die-cast aluminum housing installation to J-box and can be wall or eaves mounted
- Integral hinge design permits hands-free relamping and easy door removal
- Adjustable stem mounting arm fits 1/2" NPT outlet box cover
- U.L. listed for wet locations. CSA certified
- Approximate net weight: 4.5 lbs. (2.5 kgs.)



## LQL1500 QUARTZ FLOOD

**1500 W (Max.)**  
Quartz

FLOODLIGHT

[240V LAMP INCLUDED]

## ORDERING INFORMATION

SAMPLE NUMBER: LQL1500WL240

Catalog Number	Lamp Wattage	Lamp Type	Voltage	Color
LQL1500WL240	1500W	T3 Quartz	240V	Bronze

**NOTES:** 1 240V T3 lamp included. 2 Specifications and dimensions subject to change without notice. 3 Products also available in non-US voltages and frequencies for international markets. 4 Consult your Cooper Lighting Representative for availability and ordering information.