

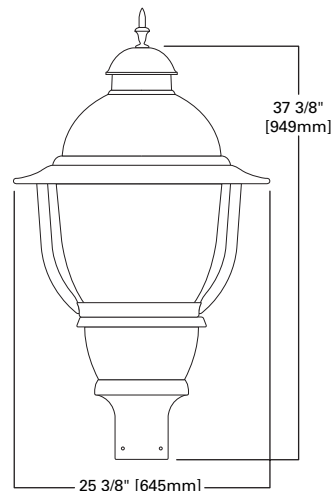
ARC AVENUE

DECORATIVE LUMINAIRE

50-400W
MH/HPS/QL



STREETWORKS™



TOPS + FINIALS

All hard mount tops are made of spun aluminum. Top provided with toolless access for ease of maintenance. Finials are manufactured of cast aluminum.

GLOBE

Globe is available in 9" high efficiency UV resistant acrylic or optional polycarbonate refractive design. Internal and external prisms work in conjunction to provide excellent vertical and horizontal illumination.

CAGE ASSEMBLIES

Two (2) uprights are manufactured of cast aluminum. Banding is spun aluminum. All cage assemblies are mounted to the exterior of the housing via four (4) stainless steel fasteners. A variety of finishes are available.

ELECTRICAL

Available up to 400W MH and 250W HPS. Ballast assembly is mounted on a removable tray with quick disconnects for ease of installation and maintenance. Plug in starter standard when applicable. Terminal block is hard mounted to the casting and easily accessible through the door's wide entryway. UL listing and optional induction fluorescent lamp available.

HOUSING

Heavy duty-cast aluminum housing and door. Wide handhole provide toolless entry for access to plug-in starters and optional NEMA twistlock PCR. 1" ANSI wattage/source label. Fixture is 3G vibration rated.

MOUNTING

Post top mount fits 3" OD tenons. Four (4) stainless steel fasteners standard.

FINISH

Standard polyester powder coat finish in black. For more color options see optional color or consult your Streetworks representative for more information.

EPA:

Effective Projective Area: 2.1

SHIPPING DATA

Approximate Net Weight:
50 lbs. (23 kgs.)

ORDERING INFORMATION

SAMPLE NUMBER: ARC25MWW5552

PRODUCT FAMILY	LAMP WATTAGE ³	LAMP TYPE ³	BALLAST TYPE ³	VOLTAGE ³	REFRACTOR TYPE	CAGE TYPE ^{7,8}	TOP TYPE ⁷	FINIAL TYPE	OPTIONS + ACCESSORIES
ARC=Architectural	50=50W 70=70W 85=85W ¹ 10=100W 15=150W 17=175W 25=250W 40=400W ²	M=Metal Halide ⁴ S=High Pressure Sodium Q=Induction	R=Reac./NPF ⁵ H=Reac./HPF N=Hi. Reac./NPF P=Hi. Reac./HPF W=CWA K=10KV CWA ⁶ I=Induction	2=120V 0=208V 4=240V 7=277V 8=480V 9=347V W=Multi-Tap wired 120V N=Multi-Tap wired 277V	33=Type III 55=Type V	6=Avenue X=None	5=Avenue (Top Access)	2=Modern 3=Architectural	(See Below)

OPTIONS + ACCESSORIES [Must be ordered in alphanumeric order]

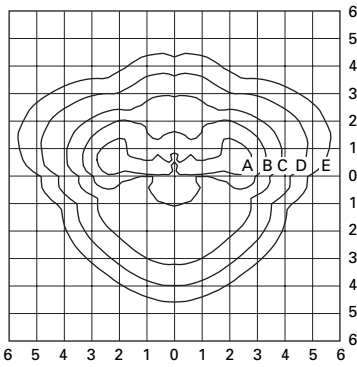
OPTIONS (add as suffix)
1=Single Fuse (120 or 277V)
2=Double Fuse (208, 240 or 480V)
4=Internal NEMA photocontrol Receptacle
P=Polycarbonate Refractor⁹
WH=White
BZ=Bronze
AP=Grey
DP=Dark Platinum
H=Hartford Green
R=Internal Downlight Reflector
U=UL/CSA Listed

ACCESSORIES (order separately)
AA2000=House Side Shield—Mogul-base Socket
AA2001=House Side Shield—Medium-base Socket

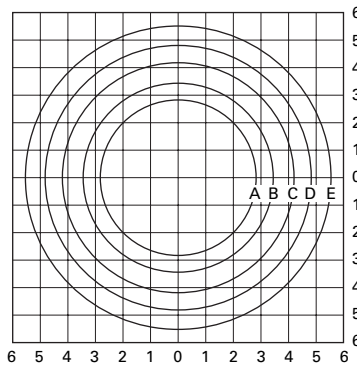
OPTIONAL COLORS [Standard color is black, other finish colors available. Consult your Cooper Lighting representative]



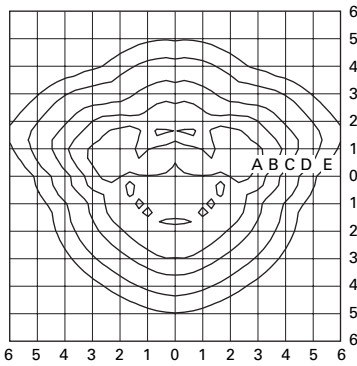
NOTE: 1 85W QL Induction only. 120V or 240V only. 2 400W available only in Metal Halide. Not available in 480V. 3 Refer to technical section for lamp/ballast/voltage compatibility. 4 Medium-base lamp standard for 150W and below Metal Halide. 5 Available 120V only. 6 Available 50-150W, 120/240 or single voltage only. 7 Avenue Cage must be used with Avenue Top. Avenue Top is available without cage. 8 Cage Type 6 will be finished same color as base. 9 Polycarbonate parts used with Metal Halide lamps will eventually yellow.



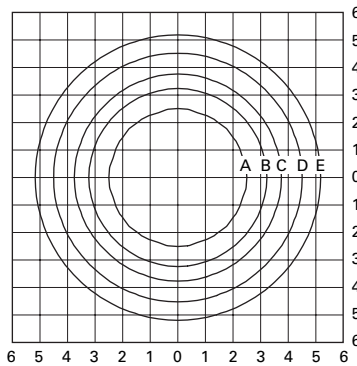
ARC15S31R. IES
 150-Watt HPS
 16,000-Lumen Clear ED-23.5 Lamp
 Type III Acrylic Refractor



ARC15S51R. IES
 150-Watt HPS
 16,000-Lumen Clear ED-23.5 Lamp
 Type V Acrylic Refractor



ARC17M31. IES
 175-Watt MH
 14,000-Lumen Clear ED-28 Lamp
 Type III Acrylic Refractor



ARC17M51. IES
 175-Watt MH
 14,000-Lumen Clear ED-28 Lamp
 Type V Acrylic Refractor

FOOTCANDLE TABLE

Select mounting height and read across for footcandle values of each isofootcandle line. Distance in units of mounting height.

Mounting Height	Footcandle Values for Isofootcandle Lines				
ARC15S31R. IES					
	A	B	C	D	E
10'	4.50	2.25	1.12	0.45	0.22
15'	2.00	1.00	0.50	0.20	0.10
20'	1.12	0.56	0.28	0.11	0.05

ARC15S51R. IES

	A	B	C	D	E
10'	2.25	1.12	0.45	0.22	0.11
15'	1.00	0.50	0.20	0.10	0.05
20'	0.56	0.28	0.11	0.05	0.02

FOOTCANDLE TABLE

Select mounting height and read across for footcandle values of each isofootcandle line. Distance in units of mounting height.

Mounting Height	Footcandle Values for Isofootcandle Lines				
ARC17M31. IES					
	A	B	C	D	E
10'	2.00	1.00	0.50	0.20	0.10
15'	0.88	0.44	0.22	0.09	0.04
20'	0.50	0.25	0.3	0.05	0.03

ARC17M51. IES

	A	B	C	D	E
10'	2.00	1.00	0.50	0.20	0.10
15'	0.88	0.44	0.22	0.09	0.04
20'	0.50	0.25	0.3	0.05	0.03