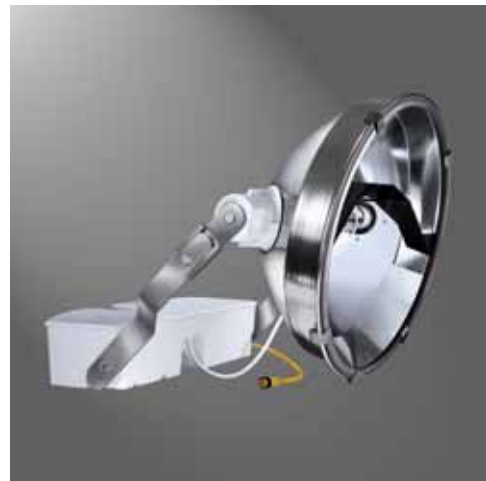
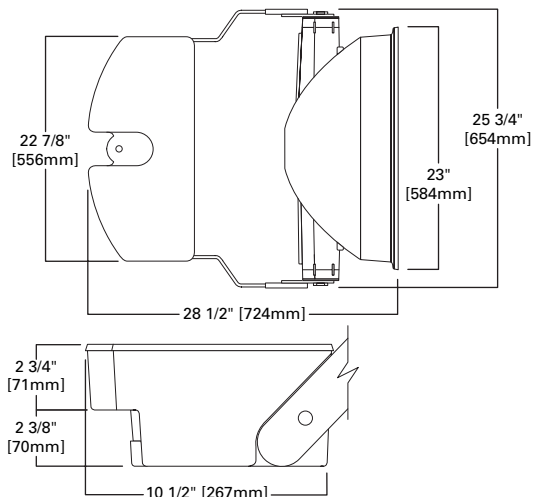


1000-1500W MH

# AS ALLSTAR

SPORTS FLOODLIGHTING



STREETWORKS™

**ORDERING INFORMATION**

**SAMPLE NUMBER:** MHAS-MS-1500-480V-U3

<b>LAMP TYPE</b> MH=Metal Halide	<b>SERIES</b> AS=ALLSTAR Sports Floodlight	<b>DISTRIBUTION</b> N=Narrow M=Medium W=Wide	<b>INTERNAL LOUVERS</b> _ =None S=Spill Light Control Louvers	<b>LAMP WATTAGE</b> <sup>1</sup> 1000=1000W 1500=1500W	<b>VOLTAGE</b> <sup>2</sup> 120V 208V 240V 277V 347V 480V MT=Multi-Tap wired 277V <sup>3</sup> TT=Triple-Tap wired 347V <sup>3</sup> 220/50HZ	<b>OPTIONS</b> (See Below)
-------------------------------------	--	---	--	--	--	-------------------------------

**BALLAST HOUSING**  
Rugged die-cast aluminum ballast housing finished in corrosion resistant white polyester powder coat. Transverse mounting with cast-in horizontal aiming protractor and single bolt mounting.

**BALLAST COMPARTMENT**  
Isolated components for coolest component operation and extended component life. Ballast is rated to start and operate lamp in ambient temperatures down to -20° C.

**OPTIONS** [Must be listed in the order shown and separated by a dash]

- OPTIONS** (add as suffix)  
**F1**=Single Fuse (120, 277 or 347V)  
**F2**=Double Fused (208, 240 or 480V)  
**HD**=Heavy-Duty Shroud  
**Q**=Quartz Restrike DC Bayonet Base (Does not strike at cold start)  
**EM**=Quartz Restrike Cold Start Time Delay  
**RQ**=Remote Quartz <sup>3</sup>
- RT**=Remote Quartz Cold Start Time Delay <sup>3</sup>  
**HC**=LumaWatt Fixture Module <sup>4</sup>  
**C3**=3' Cord, Prewired (Specify Voltage)  
**C6**=6' Cord, Prewired (Specify Voltage)  
**U3**=3' USL Water Tight Cord & Plug for USL System (Specify Voltage)  
**TV**=Top Visor (Black Polyester Powder Coated)

**VERTICAL FIXED AIMING**  
Stainless steel mounting arms feature separate vertical aiming pivot bolts and rear re-aiming hinge bolts prevent mis-aiming and provide permanent fixed aiming. Aiming degree markers on both sides of the optical allow for easy pre-aiming on the ground or after installation.

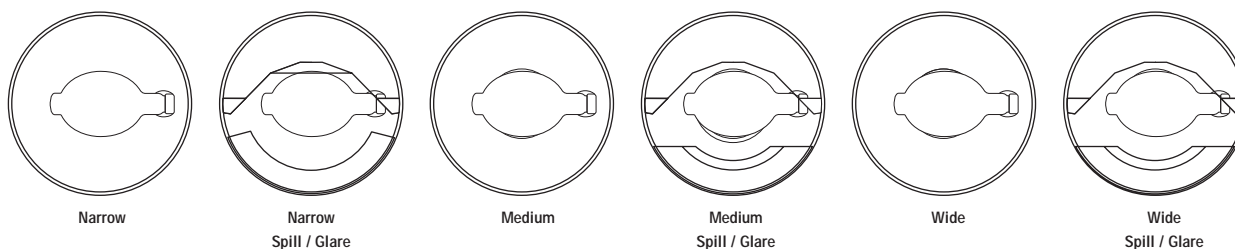
**PHOTOMETRICS** [Complete IES files available at [www.cooperlighting.com](http://www.cooperlighting.com)]

Distribution	Lamp Type	Beam Spread H x V
Narrow	1000-1650W Metal Halide	40° x 15°
Medium	1000-1650W Metal Halide	56° x 45°
Wide	1000-1650W Metal Halide	72° x 75°

**SOCKET CASTING**  
Die-cast aluminum socket castings are sealed with a high temperature silicone gasket to keep out contaminant's.

**REFLECTOR AND INTERNAL GLARE/SPILL LIGHT CONTROL**  
Computer designed spun aluminum reflectors feature optional internal glare/spill light control louvers for maximum lighting control without unwanted glare and light trespass. Horizontal optics feature standard BT56 mogul base lamps for safe, reliable operation.

**DISTRIBUTION**



**LENS/DOOR FRAME**  
1/8" tempered, heat- and shock-resistant glass lens is sealed with high temperature silicone gasket to protect optics from dirt and contaminant's and is mounted in hinged stainless steel door frame with stainless steel latches.

**EPA:**  
Effective Projective Area: 2.9

**SHIPPING DATA**  
Approximate Net Weight: 73 lbs. (33 kgs.)

NOTES: 1 All lamps are mogul-base. Lamp not included. 2 Products also available in non-US voltages and 50 Hz for international markets. Consult your Streetworks Representative for additional information. 3 Wiring pulled for remote 1000 watt Max. Quartz Flood. 4 1000 & 1500W MH only