

Citrus Juicer

USE AND CARE GUIDE
MODEL 1109



READ AND SAVE THESE INSTRUCTIONS

WARNING: A risk of fire and electrical shock exists in all electrical appliances and may cause personal injury or death. Please follow all safety instructions.

IMPORTANT SAFEGUARDS

When using electrical appliances, basic safety precautions should always be followed, including the following:

- ◆ Read all instructions before using appliance.
- ◆ To protect against risk of electrical shock, do not immerse the juicer in water or other liquids. See instructions for cleaning.
- ◆ Close supervision is necessary when this appliance is used near children.
- ◆ This appliance not for use by children.
- ◆ Unplug from outlet when not in use. Unplug before putting on or taking off parts, and before cleaning the appliance.
- ◆ Avoid contacting moving parts.
- ◆ Do not operate any damaged appliance. Do not operate with a damaged cord or plug, or after the appliance malfunctions, or has been dropped or damaged in any manner. Contact Consumer Service for return authorization, for examination, repair, electrical or mechanical adjustment.
- ◆ Use accessory attachments not recommended by Toastmaster Inc. may cause fire, electric shock or injury.
- ◆ Do not use outdoors, or while standing in a damp area.
- ◆ Do not let cord hang over edge of table or counter or touch hot surfaces.
- ◆ Do not place on or near a hot gas or electric burner or in a heated oven.
- ◆ Do not use appliance for other than intended use.

SAVE THESE INSTRUCTIONS

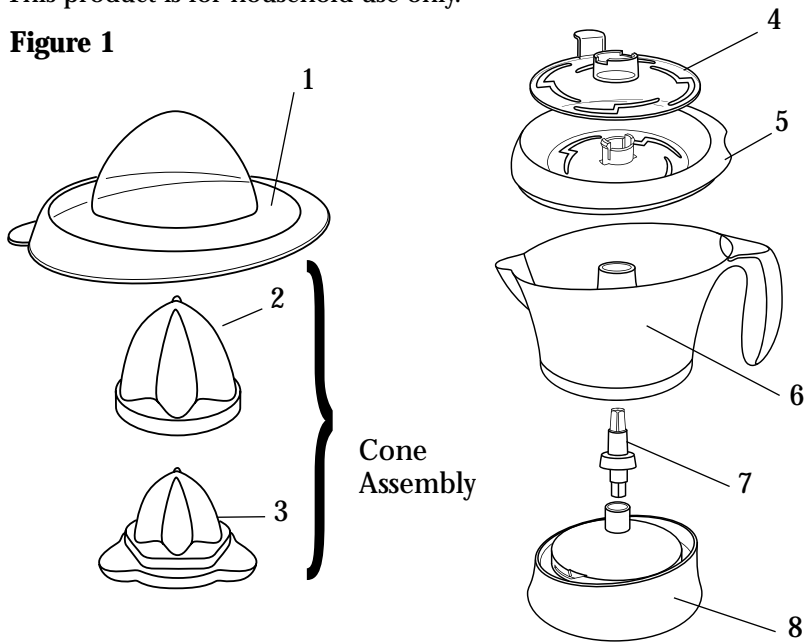


CAUTION: A short power supply cord is provided to reduce the risk of personal injury resulting from becoming entangled in or tripping over a longer cord. Extension cords are available from local hardware stores and may be used if care is exercised in their use. If an extension cord is required, special care and caution is necessary. Also the cord must be: (1) marked with an electrical rating of 125 V and at least 10 A, 1250 W and (2) the cord must be arranged so that it will not drape over the countertop or tabletop where it can be pulled on by children or tripped over accidentally.

POLARIZED PLUG: This appliance has a polarized plug (one blade is wider than the other). As a safety feature to reduce the risk of electrical shock, this plug is intended to fit in a polarized outlet only one way. If the plug does not fit fully in the outlet, reverse the plug. If it still does not fit, contact a qualified electrician. Do not attempt to defeat this safety feature.

This product is for household use only.

Figure 1



- 1. Cover (P/N 70716)
- 2. Large cone (P/N 70717)
- 3. Small cone (P/N 70718)
- 4. Strainer (P/N 70719)

- 5. Strainer base (P/N 70720)
- 6. Juice container (P/N 70721)
- 7. Shaft (P/N 70722)
- 8. Motor base

Using Your Juicer

Please fill out information that follows warranty.



1. Before using, wash all removable parts, see CARE AND CLEANING.
2. Insert the shaft down into the motor base.
3. Place container on base by aligning the arrows on the base and container; press down (See Figure 2). Turn the container clockwise until it locks into place. Line up the  icon on the base and the  icon on the container. Do not force the container beyond this point.
4. Place the Adjustable Strainer on the Strainer Base. To do this, line up the notches in the Adjustable Strainer with the tabs on the strainer base (See Figure 3). Press down until the Adjustable Strainer snaps into place.
5. Place the strainer base over the top of the container, as shown.
6. Place the small cone over the center of the strainer. Use this cone for small fruit such as lemons and limes. For larger fruit such as grapefruit and oranges, place the large cone over the small cone.
7. Unwrap cord and plug unit into 120 V ~ 60 Hz outlet.
8. Push down on the cone assembly with halved fruit to start juicing action. Do not use excessive force. The juicer will automatically reverse direction periodically to make juicing easier. To stop, lift the fruit from the cone assembly.
9. Unplug and carefully remove container by holding the handle and turning counter-clockwise to release; remove from the base.
10. Remove cone assembly from the container. Use container to serve juice.



Figure 2

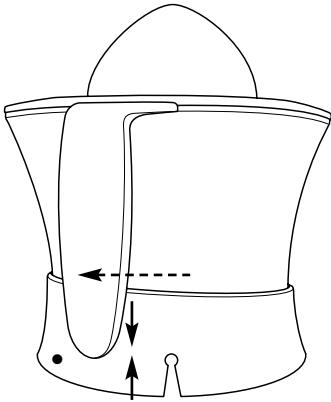
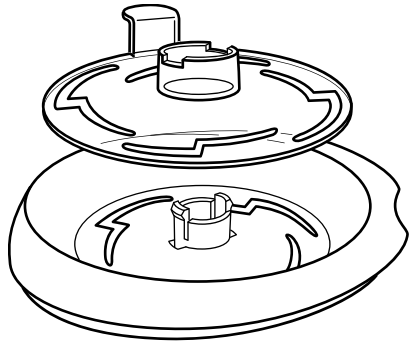


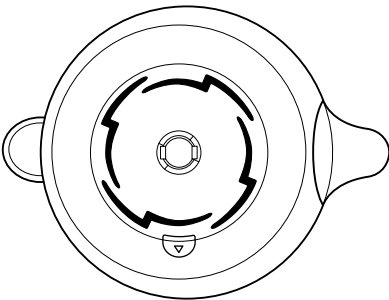
Figure 3



Pulp Adjustment

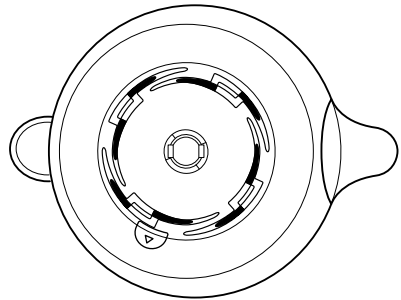
You can adjust the amount of pulp in your juice by moving the adjustable strainer to the appropriate position. **Minimum pulp:** move the adjustable strainer clockwise (See Figure 4). **Maximum pulp:** move the adjustable strainer counter-clockwise (See Figure 5). **Medium pulp:** move the adjustable strainer half-way between maximum pulp and minimum pulp.

Figure 4



Minimum Pulp

Figure 5



Maximum Pulp

Hints

- ◆ For the maximum amount of juice, roll room temperature fruit between counter-top and palm of your hand. Slice in half, cutting across fruit sections.
- ◆ Approximate juice quantities:
 - 6 oranges or 3 grapefruit = 18 ounces (532 ml)
 - 6 lemons or limes = 10 ounces (296 ml)

User Maintenance Instructions

This appliance requires little maintenance. It contains no user serviceable parts. Do not try to repair it yourself. Refer it to a qualified appliance repair technician if servicing is needed.

Care And Cleaning

DO NOT IMMERSE MOTOR BASE IN WATER OR OTHER LIQUID.

1. Unplug.
2. Remove pulp from strainer.
3. All removable parts may be washed, rinsed and dried thoroughly by hand or on the top rack of the dishwasher.
4. Clean the exterior of the motor base with a soft, damp cloth and dry.
5. Wrap cord around base for storage. Assemble and place cover on top for storage.



LIMITED ONE YEAR WARRANTY

Warranty: This Toastmaster® product is warranted to be free from defects in materials or workmanship for a period of (1) year from the original purchase date. This product warranty covers only the original consumer purchaser of the product.

Warranty Coverage: This warranty is void if the product has been damaged by accident in shipment, unreasonable use, misuse, neglect, improper service, commercial use, repairs by unauthorized personnel, normal wear and tear, improper assembly, installation or maintenance abuse or other causes not arising out of defects in materials or workmanship. This warranty is effective only if the product is purchased and operated in the USA, and does not extend to any units which have been used in violation of written instructions furnished with the product or to units which have been altered or modified or to damage to products or parts thereof which have had the serial number removed, altered, defaced or rendered illegible.

Implied Warranties: ANY IMPLIED WARRANTIES WHICH THE PURCHASER MAY HAVE ARE LIMITED IN DURATION TO ONE (1) YEAR FROM THE DATE OF PURCHASE. Some states do not allow limitations on how long an implied warranty lasts, so the above limitation may not apply to you.

Warranty Performance: During the above one-year warranty period, a product with a defect will be either repaired or replaced with a reconditioned comparable model (at our option) when the product is returned to the Repair Center, or the purchase price refunded. The repaired or replacement product will be in warranty for the balance of the one-year warranty period and an additional one-month period. No charge will be made for such repair or replacement.

Service and Repair: Should the appliance malfunction, you should first call toll-free 1 (800) 947-3744 between the hours of 9:00 am and 5:00 pm Central Standard Time and ask for CONSUMER SERVICE stating that you are a consumer with a problem. Please refer to model number 1109 when you call.

In-Warranty Service (USA): For an appliance covered under the warranty period, no charge is made for service or postage. Call for return authorization (1 800 947-3744).

Out-of Warranty Service: A flat rate charge by model is made for out-of-warranty service. Include \$ 5.50 (U.S.) for return shipping and handling. We will notify you by mail of the amount of the charge for service and require you to pay in advance for the repair or replacement.

For Products Purchased in the USA, but Used in Canada: You may return the product insured, packaged with sufficient protection, and postage and insurance prepaid to the USA address listed below. Please note that all customs duty / brokerage fees, if any, must be paid by you and we will require you to pay the cost of customs duty / brokerage fees to us in advance of our performing any service.

Risk During Shipment: We cannot assume responsibility for loss or damage during incoming shipment. For your protection, carefully package the product for shipment and insure it with the carrier. Be sure to enclose the following items with your appliance: any accessories related to your problem, your full return address and daytime phone number, a note describing the problem you experienced, a copy of your sales receipt or other proof of purchase to determine warranty status. C.O.D. shipments cannot be accepted.

To return the appliance, ship to:

Attn: Repair Center
Toastmaster Inc.
708 South Missouri Street
Macon, MO 63552
Email: consumer_relations@toastmaster.com
www.toastmaster.com

To contact us, please write to or call:

Toastmaster Inc.
P.O. Box 6916
Columbia, MO 65205-6916
1 (800) 947-3744

Limitation of Remedies: No representative or person is authorized to assume for us any other liability in connection with the sale of our products. There shall be no claims for defects or failure of performance or product failure under any theory of tort, contract or commercial law including, but not limited to negligence, gross negligence, strict liability, breach of warranty and breach of contract. Repair, replacement or refund shall be the sole remedy of the purchaser under this warranty, and in no event shall we be liable for any incidental or consequential damages, losses or expenses. Some states do not allow the exclusion or limitation of incidental or consequential damages, so the above limitation or exclusion may not apply to you.

Legal Rights: This warranty gives you specific legal rights, and you may also have other rights which vary from state to state.

Keep Dated Sales Receipts for Warranty Service.

Keep this booklet. Record the following for reference:

Date purchased _____

Model number _____

Date code (stamped on bottom) _____

EVERYBODY EATS. It's a fact of life.

**But sometimes preparing
meals can become a chore.**

**That's why TOASTMASTER has been invited
into millions of kitchens just like yours
so we can HELP YOU MASTER your
mixing, baking, grilling, toasting,
brewing, heating and serving
tasks WITH EASE AND STYLE.**

**The TOASTMASTER name stands for a
CELEBRATION of INNOVATION designed
to serve your life and keep you
COOKIN' IN STYLE.**





toastmaster®

- 34 oz. capacity
- Dust cover
- Cord storage
- Pulp adjuster



Questions

Call toll free 1-800-947-3744

Monday – Friday, 8:00 a.m. - 5:30 p.m. CST

www.toastmaster.com