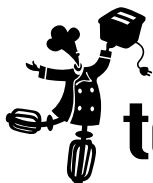


READ AND SAVE THESE INSTRUCTIONS

WARNING: A risk of fire and electrical shock exists in all electrical appliances and may cause personal injury or death. Please follow all safety instructions.



toastmaster®



Citrus Juicer

Use and Care Guide

Models 1108/1108CAN/1108MEX

- LARGE, 38 OZ. CAPACITY
- DUST COVER
- CORD STORAGE

IMPORTANT SAFEGUARDS

When using electrical appliances, basic safety precautions should always be followed to reduce the risk of fire, electric shock and injury to persons, including the following:

- Read all instructions before using appliance.
- Do not immerse the juicer in water or other liquids. See instructions for cleaning.
- Close supervision is necessary when this appliance is used near children.
- This appliance not for use by children.
- Unplug from outlet when not in use. Unplug before putting on or taking off parts, and before cleaning the appliance.
- Avoid contacting moving parts.
- Do not operate any damaged appliance. Do not operate with a damaged cord or plug, or after the appliance malfunctions, or has been dropped or damaged in any manner. Return appliance to the nearest authorized service center for examination, repair, electrical or mechanical adjustment.
- Use accessory attachments only if recommended by Toastmaster Inc.
- Do not use outdoors, or while standing in damp area.
- Do not let cord hang over edge of table or counter or touch hot surfaces.
- Do not place on or near a hot gas or electric burner or in a heated oven.
- Do not use appliance for other than intended use.

SAVE THESE INSTRUCTIONS

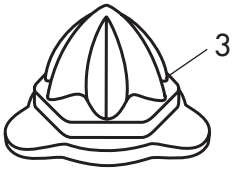
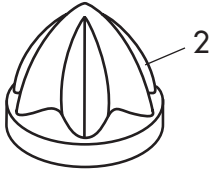
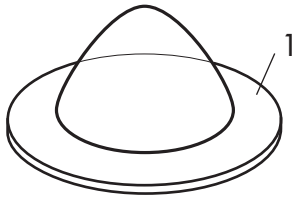
CAUTION: A short power supply cord is provided to reduce the risk of personal injury resulting from becoming entangled in or tripping over a longer cord. Extension cords are available from local hardware stores and may be used if care is exercised in their use. If an extension cord is required, special care and caution is necessary. Also the cord must be: (1) marked with an electrical rating of 125 V and at least 13 A, 1625 W and (2) the cord must be arranged so that it will not drape over the countertop or tabletop where it can be pulled on by children or tripped over accidentally.

POLARIZED PLUG: This appliance has a polarized plug (one blade is wider than the other). As a safety feature to reduce the risk of electrical shock, this plug is intended to fit in a polarized outlet only one way. If the plug does not fit fully in the outlet, reverse the plug. If it still does not fit, contact a qualified electrician. Do not attempt to defeat this safety feature.

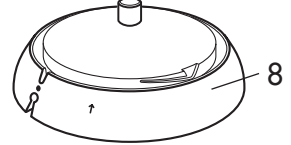
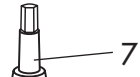
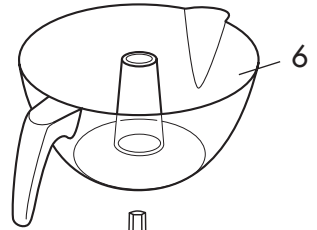
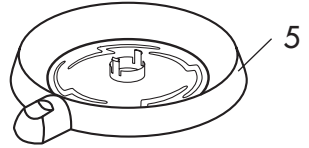
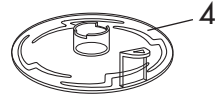
ELECTRIC POWER: If the electric circuit is overloaded with other appliances, your appliance may not operate properly. It should be operated on a separate electrical circuit from other appliances.

THIS PRODUCT IS FOR HOUSEHOLD USE ONLY

Figure 1



Cone
Assembly



- 1. Cover
- 2. Large cone
- 3. Small cone
- 4. Strainer

- 5. Strainer base
- 6. Juice container
- 7. Shaft
- 8. Motor base

USING YOUR JUICER

Please fill out information that follows warranty.

1. Before using, wash all removable parts, see CARE AND CLEANING.
2. Insert the shaft down into the motor base.
3. Place container on base by aligning the arrows on the base and container; press down (See Figure 2). Turn the container clockwise until it locks into place (a “clicking” noise will be heard). Line up the • icon on the base near the cord and the icon on the container. Do not force the container beyond this point.
4. Place the Adjustable Strainer on the Strainer Base. To do this, line up the notches in the Adjustable Strainer with the tabs on the strainer base (See Figure 3). Press down until the Adjustable Strainer snaps into place.
5. Place the strainer base over the top of the container as shown.
6. Place the small cone over the center of the strainer. Use this cone for small fruit such as lemons and limes. For larger fruit such as grapefruit and oranges, place the large cone over the small cone.
7. Unwrap cord and plug unit into 120 V ~ 60 Hz outlet.
8. Push down on the cone assembly with halved fruit to start juicing action. Do not use excessive force. The juicer will automatically reverse direction periodically to make juicing easier. To stop, lift the fruit from the cone assembly.
9. Unplug and carefully remove container by holding the handle and turn counter-clockwise to release; remove from the base.
10. Remove cone assembly from the container. Use container to serve juice.

Figure 2

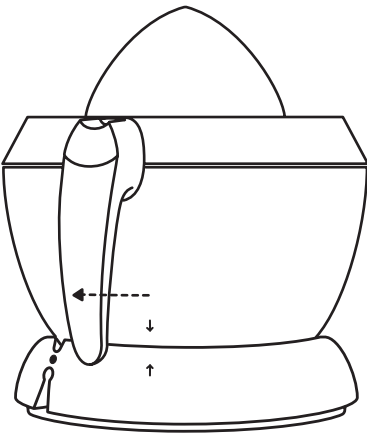
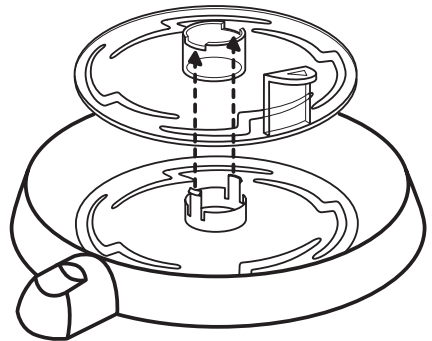


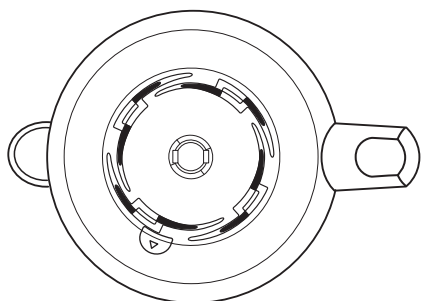
Figure 3



PULP ADJUSTMENT

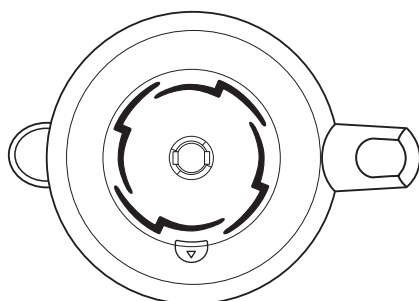
You can adjust the amount of pulp in your juice by moving the adjustable strainer to the appropriate position. Minimum pulp: move the adjustable strainer clockwise (See Figure 4). Maximum pulp: move the adjustable strainer counter-clockwise (See Figure 5). Medium pulp: move the adjustable strainer half-way between maximum pulp and minimum pulp.

Figure 4



Minimum Pulp

Figure 5



Maximum Pulp

HINTS

- For the maximum amount of juice, roll room temperature fruit between counter-top and palm of your hand. Slice in half, cutting across fruit sections.
- Approximate juice quantities:
 - 6 oranges or 3 grapefruit = 18 ounces (532 ml)
 - 6 lemons or limes = 10 ounces (296 ml)

CARE AND CLEANING

DO NOT IMMERSE MOTOR BASE IN WATER OR OTHER LIQUID.

1. Unplug.
2. Remove pulp from strainer.
3. All removable parts may be washed, rinsed and dried thoroughly by hand or on the top rack of the dishwasher.
4. Clean the exterior of the motor base with a soft, damp cloth and dry.
5. Wrap cord around base for storage. Assemble and place cover on top for storage.

Any servicing requiring disassembly other than the above cleaning must be performed by an authorized service center.

SERVICE INFORMATION

Please refer to warranty statement to determine if in-warranty service applies. This appliance must be serviced by a Toastmaster authorized service center. Unauthorized service will void warranty. Consult your phone directory under "Appliances-Household-Small-Service and Repair,"

or call 1-800-233-9054 in the U.S. and Canada, 52-5-397-2848 in Mexico.

If an authorized service center is not available locally, your appliance may be returned postage prepaid to our National Service Center at the address shown on the back of this book.

Products must be adequately protected to avoid shipping damage. Surround your appliance with three inches of protective padding and include a copy of your dated sales receipt and a note explaining the problem you have experienced. We recommend insuring your package. No CODs accepted.

KEEP DATED SALES RECEIPT FOR WARRANTY SERVICE.

Keep this booklet. Record the following for reference:

Date purchased _____

Model number _____

Date code (stamped on bottom) _____

LIMITED ONE-YEAR WARRANTY

Warranty Coverage: This product is warranted to be free from defects in materials or workmanship for a period of one (1) year from the original purchase date. This product warranty is extended only to the original consumer purchaser of the product and is not transferable. For a period of one (1) year from the date of original purchase of the product, our Repair Center will, at its option, either (1) repair the product or (2) replace the product with a reconditioned comparable model. These remedies are the purchaser's exclusive remedies under this warranty.

Warranty Service: To obtain warranty service, you must call our warranty service number at 1-800-233-9054 for return instructions on how to deliver the product, in either the original packaging or packaging affording an equal degree of protection to the Repair Center specified below. You must enclose a copy of your sales receipt or other proof of purchase to demonstrate eligibility for warranty coverage.

To return the appliance, ship to:
ATTN: Repair Center
708 South Missouri Street
Macon, MO 63552 USA

To contact us, please write to, call, or email:
Consumer Relations Department
PO Box 7366
Columbia MO 65205-7366 USA
1-800-233-9054
E-mail:
consumer_relations@toastmaster.com

What Is Not Covered: This warranty does not cover damage resulting from misuse, accident, commercial use, improper service or any other damage caused by anything other than defects in material or workmanship during ordinary consumer use. This warranty is invalid if the serial number has been altered or removed from the product. This warranty is valid only in the United States and Canada.

LIMITATION ON DAMAGES: THERE SHALL BE NO LIABILITY FOR ANY INCIDENTAL OR CONSEQUENTIAL DAMAGES FOR BREACH OF ANY EXPRESS OR IMPLIED WARRANTY OR CONDITION ON THIS PRODUCT.

DURATION OF IMPLIED WARRANTIES: EXCEPT TO THE EXTENT PROHIBITED BY APPLICABLE LAW, ALL IMPLIED WARRANTIES AND CONDITIONS, INCLUDING, WITHOUT LIMITATION, IMPLIED WARRANTIES AND CONDITIONS OF MERCHANTABILITY AND FITNESS FOR A PARTICULAR PURPOSE OR USE ON THIS PRODUCT ARE LIMITED IN DURATION TO THE DURATION OF THIS WARRANTY.

Some jurisdictions do not allow the exclusion or limitation of incidental or consequential damages, or allow limitations on how long an implied warranty lasts, so the above limitations or exclusions may not apply to you. This warranty gives you specific legal rights and you may have other rights under the laws of your jurisdiction.

For more information on our products, visit our website: www.maxim-toastmaster.com.