



IMI CORNELIUS INC.
One Cornelius Place
Anoka, MN. 55303-6234
Telephone 1-800-238-3600
Facsimile 1-800-258-0255

www.cornelius.com

ILLUSTRATED PARTS LIST

QUANTUM SERIES JUICE DISPENSER

MODEL NO.

45200001
45200002
45200003
45200004
45200101
45200102
45200103
45200104
45400001
45400002
45400101
45400102
45400103
45400104
45500001
45500002
45500101
45500102
45650001
45650003
45650101
45650103
45650104
45650105





IMI CORNELIUS INC.
One Cornelius Place
Anoka, MN. 55303-6234
Telephone 1-800-238-3600
Facsimile 1-800-258-0255

www.cornelius.com

ILLUSTRATED PARTS LIST

QUANTUM SERIES JUICE DISPENSER

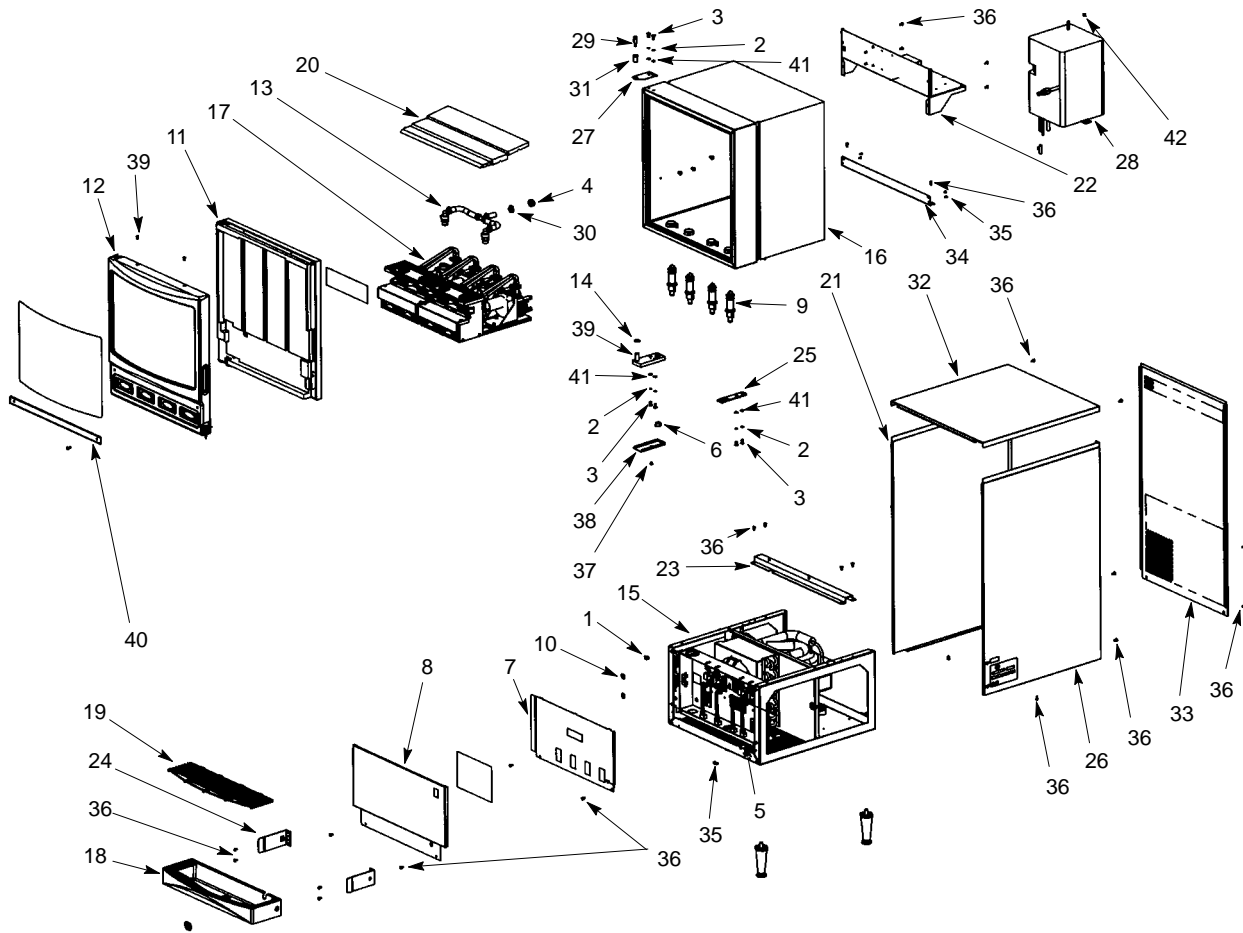


FIGURE 1. GENERAL ASSEMBLY



IMI CORNELIUS INC.
 One Cornelius Place
 Anoka, MN. 55303-6234
 Telephone 1-800-238-3600
 Facsimile 1-800-258-0255

www.cornelius.com

ILLUSTRATED PARTS LIST

QUANTUM SERIES JUICE DISPENSER

Item No.	Part No.	Name
1	0720405	Nut 1/4-20
2	0730202	Washer No. 10 Split Lock
3	0706903	Screw No. 10-32 x 1/2" TH SS 115V 60HZ
	07061002	Screw No. 10 x 5/8" HHWF 230V 50HZ
4	07344	Bushing Snap 3000 and 4000 Series
5	45366	Brkt and Tube Drain 3000 and 4000 Series
6	0733904	Bushing Snap
7	45107	Cover Elec Box 1000 and 2000 Series
	7245669	Cover Elec Box 3000 Series
	45408	Cover Elec Box 4000 Series
8	45159001	Panel Splash 1000 and 2000 Series
	45667100	Panel Splash 3000 Series
	45459100	Panel Splash 4000 Series
9	45003	Nozzle Mixer O-Ring Asy
	31525037	O-Ring .739 I.D.
	45123	Mixer Static
	48808001	Nozzle Mixing
10	470725	Plug Butn
11	45354	DoorAsy 1000 Series(SeeFigure8)
	45241	DoorAsy 2000 Series(SeeFigure8)
	45390	DoorAsy 3000 Series(SeeFigure8)
	45470	DoorAsy 4000 Series(SeeFigure8)
12	7245550	Cover Asy 1000 Series (See Figure 10)
	45296006	Cover Asy 2000 Series (See Figure 10)
	45394005	Cover Asy 3000 Series (See Figure 10)
	45481006	Cover Asy 4000 Series (See Figure 10)
13	309852000	Clamp 1000, 2000 and 3000 Series
	77060900	Fitg T-Brb 3/8 1000, 2000 and 3000 Series
	49034	Tube 1000, 2000 and 3000 Series
14	45439	Washer Nylon
15		Refrigeration Asy (See Figure 2)
16		Cabinet Asy (See Figure 3)
17	45115	Platform Asy 1000 Series (See Figure 4)
	45215	Platform Asy 115V 60HZ, 2000 and 4000 Series (See Figure 4)
	45215001	Platform Asy 230V 50HZ, 2000 and 4000 Series (See Figure 4)
	45315	Platform Asy 115V 60HZ, 3000 Series (See Figure 4)
18	45129001	Drip Tray, 1000 Series
	45129100	Drip Tray, 2000 Series
	45678100	Drip Tray, 3000 Series
	45430100	Drip Tray, 4000 Series

Item No.	Part No.	Name
19	45155001	Cup Rest, 1000 Series
	45255003	Cup Rest, 2000 Series
	45677003	Cup Rest, 3000 Series
	45455003	Cup Rest, 4000 Series
20	45158	Shelf, 1000 Series
	45117	Shelf, 2000 Series
	45317	Shelf, 3000 Series
	45417	Shelf, 4000 Series
21	45444	Strap
22		Electrical Box Asy (See Figure 12)
23	45151	Brkt Water Coil 1000 and 2000 Series
	45666	Brkt Water Coil 3000 Series
	45451	Brkt Water Coil 4000 Series
24	46546	Arm Asy
	45152	Brkt Asy Drip Tray 1000 Series (Not Shown)
25	96561	Plate Door Support 1000 Series
	45436	Plate Door Support 2000, 3000 and 4000 Series
26	7245443	Panel RH Side
27	49154	Plate Hinge Upper
28	45165100	Coil Wtr Asy
29	49155	Hinge Bolt Shoulder
30	309852000	Clamp
31	49157	Bushing Upper Hinge
32	45199	Panel Top 1000 and 2000 Series
	45659	Panel Top 3000 Series
	45445	Panel Top 4000 Series
33	45125	Panel Back 1000 and 2000 Series
	7245665	Panel Back 3000 Series
	45425	Panel Back 4000 Series
34	7245765	Brkt Cabinet 1000 and 2000 Series
	7245763	Brkt Cabinet 3000 Series
	7245764	Brkt Cabinet 4000 Series
35	07115001	Screw TF 08-32 TRPH 12
36	0704106	Screw 8-32 x 1/4" THMS
37	45088	Cover Botm Hinge
38	45087	Cover Top Hinge
39	0702901	Screw 8-32 x 3/8" FHM
40	45164	Brkt Flavor Strip 2000 Series
	45032	Holder Flavor Label 3000 Series
	45464	Holder Flavor Label 4000 Series
41	0730104	Washer Plain Flat 10
42	0720406	Nut No. 10-32
43		Item Not Used



IMI CORNELIUS INC.
One Cornelius Place
Anoka, MN. 55303-6234
Telephone 1-800-238-3600
Facsimile 1-800-258-0255

www.cornelius.com

ILLUSTRATED PARTS LIST

QUANTUM SERIES JUICE DISPENSER

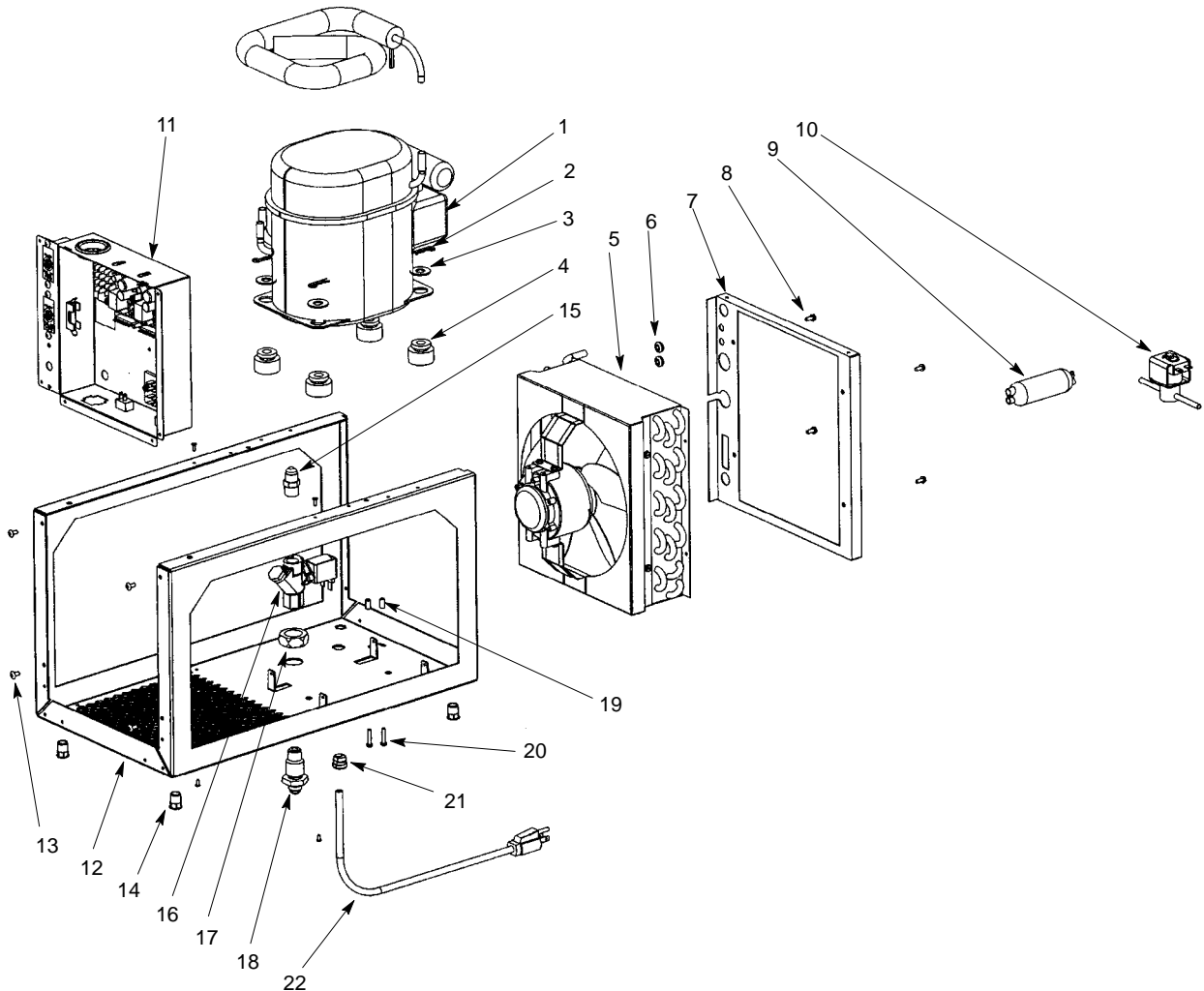


FIGURE 2. REFRIGERATION AND FRAME ASSEMBLY



IMI CORNELIUS INC.
 One Cornelius Place
 Anoka, MN. 55303-6234
 Telephone 1-800-238-3600
 Facsimile 1-800-258-0255

www.cornelius.com

ILLUSTRATED PARTS LIST

QUANTUM SERIES JUICE DISPENSER (SEE FIGURE 2)

Item No.	Part No.	Name
		Refrigeration and Frame Ass'y
1	729011105	Kit Compressor, 120V 60HZ
	729011106	Kit Compressor, 230V 50HZ
2	08474	Clip Spring
3	07301046	Washer Ft .468 I.D.
4	08467	Grommet Compressor
5	45163001	Mtr Asy and Cond 115V 60HZ (See Figure 9)
	45163002	Mtr Asy and Cond 230V 50/60HZ (See Figure 9)
6	7240691	Grommet
7	45148	Baffle Cond (1000 and 2000 Series)
	45670	Panel Baffle Cond (3000 Series)
	45448	Panel Baffle Cond (4000 Series)
8	289521	Screw No. 8-32 xy 3/8" HHS
9	45073	Dryer

Item No.	Part No.	Name
10	45373010	Solenoid Valve 120V 60HZ
	45373020	Solenoid Valve 230V 50/60HZ
11		Box Elec Asy (See Figure 11)
12	45105100	Frame (1000 and 2000 Series)
	45671100	Frame (3000 Series)
	45405100	Frame (4000 Series)
13	07115001	Screw TF 08-32 TRPH 12
14	60342002	Insert Thd 3/8-16
15	2124713	Fitg Stght 3/8MF x 3/8MPT
16	45091001	Valve Water Solenoid 24V
17	03824001	Nut Jam 7/8-14
18	30041001	Fitg Bulkhead
19	04442	Spacer
20	0702609	Screw MA 8-32 BDPH 24
21	7221320	Strain Relief
22	46384	Cord Serv 115V 60HZ
	46384001	Cord Serv 220V 50HZ



IMI CORNELIUS INC.
One Cornelius Place
Anoka, MN. 55303-6234
Telephone 1-800-238-3600
Facsimile 1-800-258-0255

www.cornelius.com

ILLUSTRATED PARTS LIST

QUANTUM SERIES JUICE DISPENSER

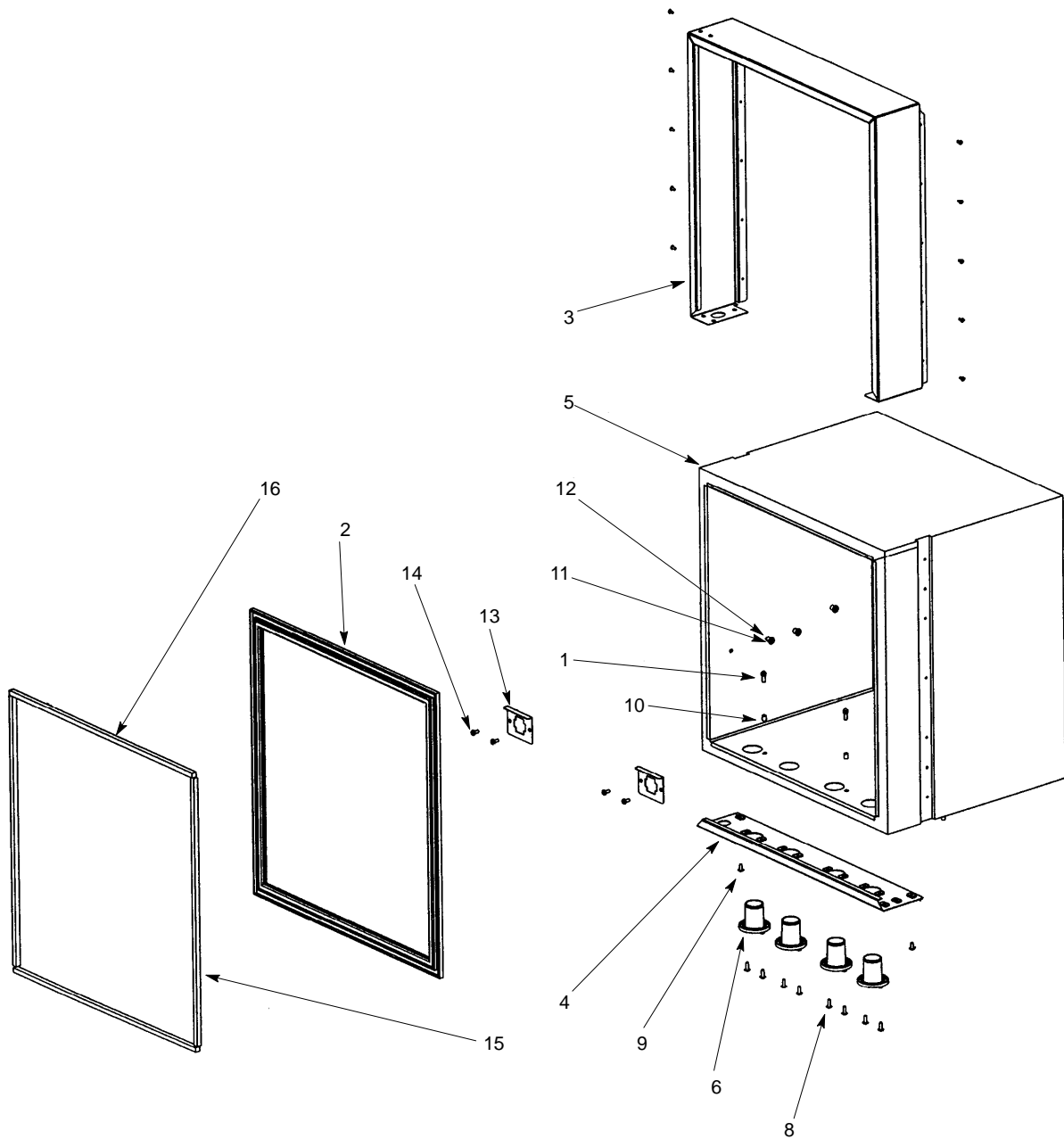


FIGURE 3. UPPER CABINET ASSEMBLY



IMI CORNELIUS INC.
 One Cornelius Place
 Anoka, MN. 55303-6234
 Telephone 1-800-238-3600
 Facsimile 1-800-258-0255

www.cornelius.com

ILLUSTRATED PARTS LIST

QUANTUM SERIES JUICE DISPENSER (SEE FIGURE 3)

Item No.	Part No.	Name
		Upper Cabinet Asy
1	45051	Stud Latch No. 10-32
2	45119	Gasket Liner (1000 and 2000 Series)
	45662	Gasket Liner (3000 Series)
	45419	Gasket Liner (4000 Series)
3	45141	Wrap Front (1000 and 2000 Series)
	45657	Wrap Front (3000 Series)
	45441	Wrap Front (4000 Series)
4	45142	Panel Botm Front (1000 Series)
	45207	Panel Botm Front (2000 Series)
	45664	Panel Botm Front (3000 Series)
	45407	Panel Botm Front (4000 Series)
5	45167	Liner Inner Asy (1000 Series)
	45220	Liner Inner Asy (2000 Series)
	45654100	Liner Inner Asy (3000 Series)
	45420100	Liner Inner Asy (4000 Series)

Item No.	Part No.	Name
6	45027001	Bushing
7	11761	Harn Door (1000 Series: Not Shown)
	11762	Harn Door (2000 Series: Not Shown)
	11763	Harn Door (3000 Series: Not Shown)
	11823	Harn Door (4000 Series: Not Shown)
8	0704105	Screw No. 8-32 x 1/2" THMS
9	0704101	Screw MA No. 8-32 TRPH 12
10	04441	Spacer Lower
11	0702609	Screw MA No. 8-32 BDPH 24
12	46366	Bushing Hinge
13	45132	Brkt Conn Platform (1000 Series)
	45232	Brkt Conn Platform (2000 and 4000 Series)
	45632	Brkt Conn Platform (3000 Series)
14	0704001	Screw No. 8 x 3/8"
15	47121004	Magnet Door Seal
16	47121005	Magnet Door Seal (1000 and 2000 Series)
	47121006	Magnet Door Seal (3000 Series)



IMI CORNELIUS INC.
One Cornelius Place
Anoka, MN. 55303-6234
Telephone 1-800-238-3600
Facsimile 1-800-258-0255

www.cornelius.com

ILLUSTRATED PARTS LIST

QUANTUM SERIES JUICE DISPENSER

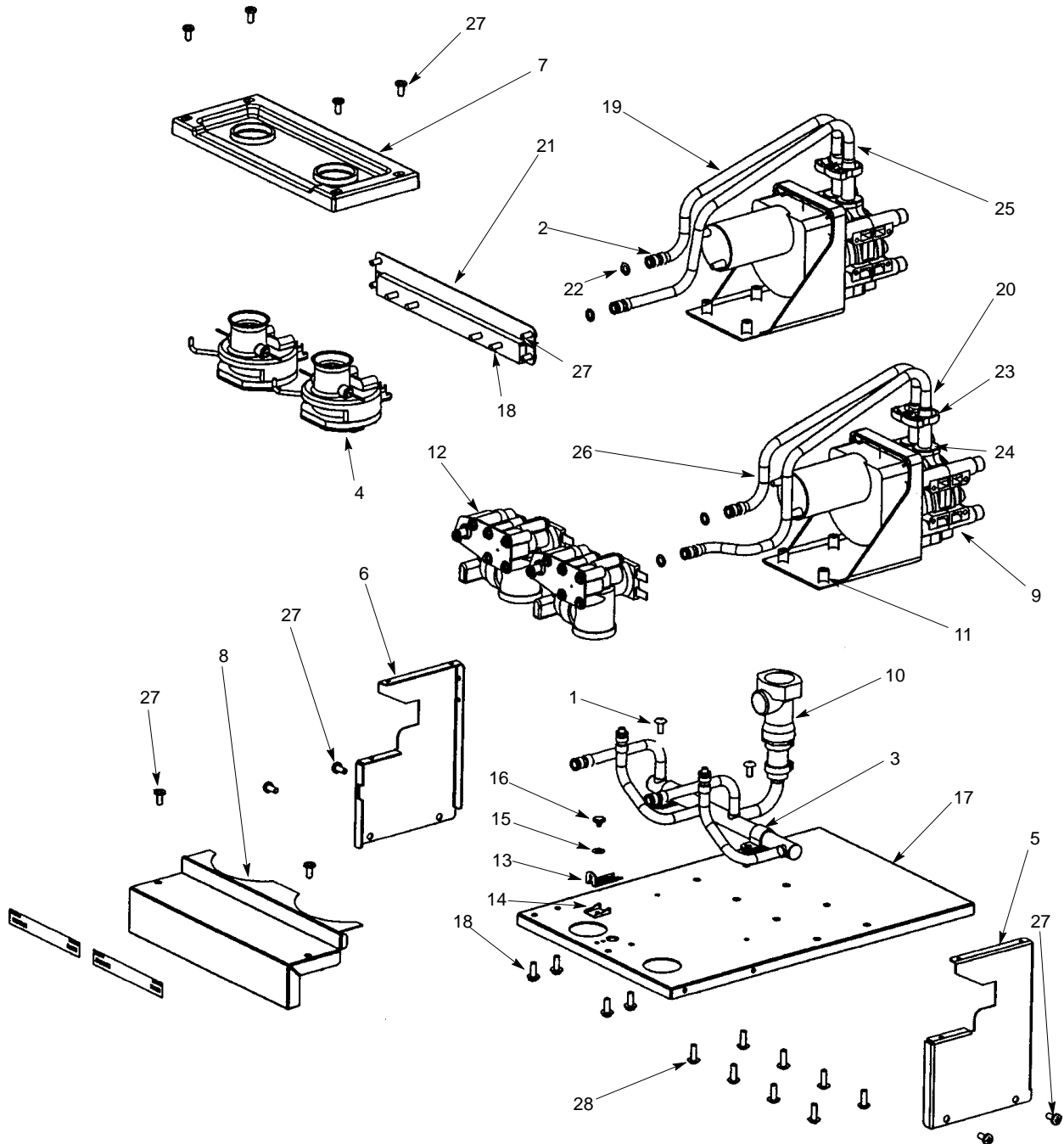


FIGURE 4. PLATFORM ASSEMBLY



IMI CORNELIUS INC.
 One Cornelius Place
 Anoka, MN. 55303-6234
 Telephone 1-800-238-3600
 Facsimile 1-800-258-0255

www.cornelius.com

ILLUSTRATED PARTS LIST

QUANTUM SERIES JUICE DISPENSER (SEE FIGURE 4)

Item No.	Part No.	Name
	45115	Platform Asy (1000 Series)
	45215	Platform Asy (2000 and 4000 Series)
	45315	Platform Asy (3000 Series)
1	0704101	Screw MA 8-32 TRPH 12
2	71822081	Washer Holdown
3	309852000	Clamp
4	45026	Adapter Bottle Asy (See Figure 5)
5	45033	Support Bottle Right
6	45034	Support Bottle Left
7	45391001	Adapter Caddy Support (1000 Series)
	45391002	Adapter Caddy Support (2000 and 4000 Series)
	45391003	Adapter Caddy Support (3000 Series)
8	45137	Panel Splash Platform (1000 Series)
	45236	Panel Splash Valves (2000 and 4000 Series)
	45345004	Cover Platform (2000 and 4000 Series)
	7245036	Panel Splash Valves (3000 Series)
	45345003	Cover Platform (3000 Series)
9	45185	Pump and Mtr Asy (See Figure 7)
10	7245174	Manifold Asy Water (1000 Series)
	45274	Manifold Asy Water (2000 and 4000 Series)
	45041	Manifold Asy Water (3000 Series)
11	45283	Bushing
12	45045	Block Valve Asy
13	45046	Latch

Item No.	Part No.	Name
14	45047	Guide Latch
15	45048	Washer Latch
16	720800077	Rivet Latch
17	45114	Platform (1000 Series)
	45214	Platform (2000 and 4000 Series)
	45314	Platform (3000 Series)
18	07032001	Screw No. 8-18 x 7/16"
19	45173	Tube Asy Suction (1000 Series)
	45276	Tube Asy Suction (2000 and 4000 Series)
	45068003	Tube Asy Suction (3000 Series)
20	45069	Line Discharge Asy (1000 and 3000 Series)
	45273	Tube Asy Discharge (2000 and 4000 Series)
21	45160	Brkt Botl Adapter (1000 Series)
	7245262	Brkt Support Botl Adap (2000 and 4000 Series)
	45339	Brkt Caddy Support (3000 Series)
22	398033000	O-Ring .239 I.D.
23	48195006	Clamp Hose
24	481950062	Clamp
25	45275	Tube Asy Discharge (2000 and 4000 Series)
26	45068001	Line Suct Asy (3000 Series)
	45277	Tube Asy Suction (2000 and 4000 Series)
	45068002	Tube Asy Center Suction (3000 Series)
27	0704001	Screw No. 8-x 3/8"
28	0704105	Screw No. 8-32 x 1/2" THMS



IMI CORNELIUS INC.
 One Cornelius Place
 Anoka, MN. 55303-6234
 Telephone 1-800-238-3600
 Facsimile 1-800-258-0255

www.cornelius.com

ILLUSTRATED PARTS LIST

QUANTUM SERIES JUICE DISPENSER

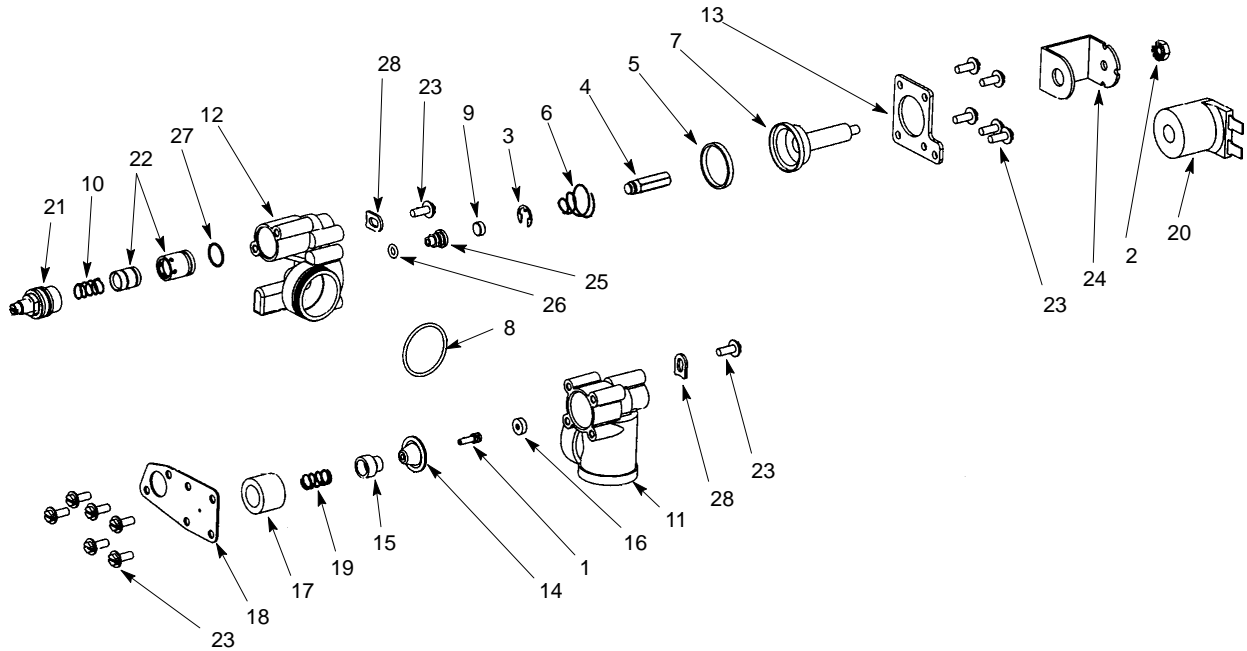


FIGURE 5. VALVE BLOCK ASSEMBLY

Item No.	Part No.	Name
	45045	Block Valve Asy
1	45177	Holder Poppet Seal
2	0720406	Nut No. 10-32
3	71815321	Ring Retaining
4	7215323	Armature
5	18070002	Gasket Rubber Valve Block
6	18367	Spring Armature
7	19695001	Guide
8	31525021	O-Ring 1.114 I.D.
9	18071	Seat Armature
10	48258005	Spring Syrup
11	45192	Valve Body Mixing
12	45193	Valve Body Water
13	45029	Plate Coil Retainer
14	47011	Diaph Valve

Item No.	Part No.	Name
15	45180	Spring Acuator
16	45189	Poppet
17	45179	Support Diaphragm
18	45195	Plate Front Valve Block
19	45186	Spring
20	48520001	Coil Asy 24V DC
21	48978	Flo Cntl Bonnet Asy
22	48979103	Sleeve and Piston Asy Water
	60281001	Sleeve Syrup Ceramic
23	07032001	Screw No 8-18 x 7/16
24	16779003	Frame Solenoid
25	49612	Port Valve Water
26	31525020	O-Ring .176 I.D.
27	31525060	O-Ring .459 I.D.
28	48378	Brkt Support Valve



IMI CORNELIUS INC.
 One Cornelius Place
 Anoka, MN. 55303-6234
 Telephone 1-800-238-3600
 Facsimile 1-800-258-0255

www.cornelius.com

ILLUSTRATED PARTS LIST

QUANTUM SERIES JUICE DISPENSER

Item No.	Part No.	Name
	45026	Adapter Bottle Asy
1	45060001	Adapter Caddy Top
2	45060002	Adapter Caddy Run and Flush
3	45060003	Adapter Caddy Bottom
4	31525062	O-Ring .118 I.D.
5	31525014	O-Ring .489 I.D.
6	31525061	O-Ring 1.489 I.D.
7	07015001	Screw No. 8-18 x 3/4"
8	45043	Pin Sensor Soldout
9	31525064	O-Ring .488 I.D.
10	60068021	Switch Snap Portion Control
11	45076	Pin Actuator
12	60067086	Screw No. 2-56 x 7/16"
13	45084001	Plate Support Bottle

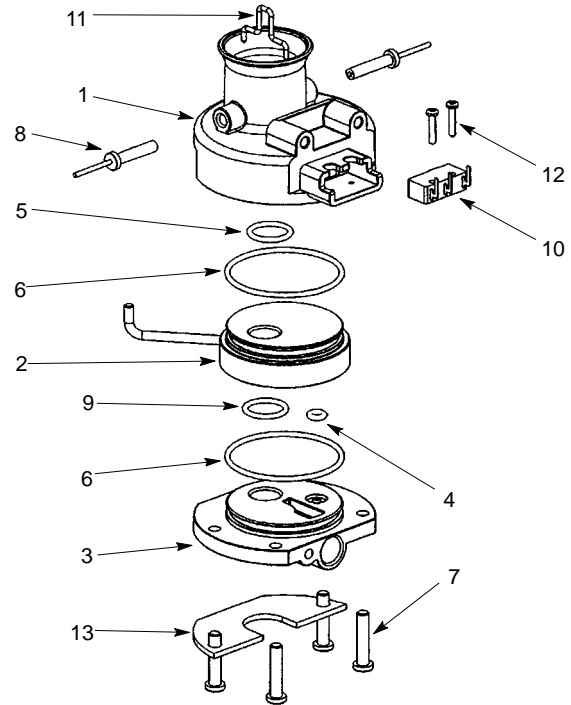


FIGURE 6. BOTTLE ADAPTER ASSEMBLY

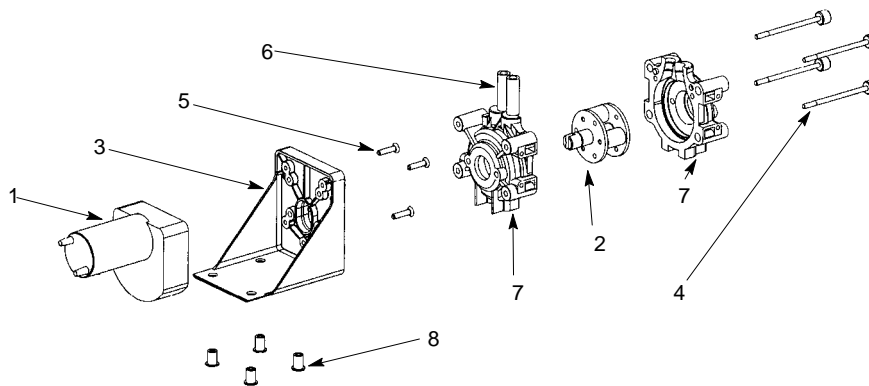


FIGURE 7. PUMP AND MOTOR ASSEMBLY

Item No.	Part No.	Name
	45185	Pump and Motor Asy
1	45016001	Motor Pump
2	45728001	Rotor Asy
3	45050	Block Asy Mtg Pump and Motor
4	45017001	Screw Thumb Pump
5	0702905	Screw No. 8-32 x 3/4" FHMS

Item No.	Part No.	Name
6	45037001	Tubg Neoprene .250 I.D. (Sold by the Foot)
7	45727	Body Pump Asy
8	45283	Bushing
9	45098	Kit Pump Tube Replacement



IMI CORNELIUS INC.
 One Cornelius Place
 Anoka, MN. 55303-6234
 Telephone 1-800-238-3600
 Facsimile 1-800-258-0255

www.cornelius.com

ILLUSTRATED PARTS LIST

QUANTUM SERIES JUICE DISPENSER

Item No.	Part No.	Name
	45241	Door Asy Back (1000 and 2000 Series)
	45390	Door Asy Back (3000 Series)
	45470	Door Asy Back (4000 Series)
1	45281	Panel Rear Door (1000 and 2000 Series)
	45386	Panel Rear Door (3000 Series)
	45477	Panel Rear Door (4000 Series)
2	7233023	Switch Safety
3	7245120	Gasket Door Mag (1000 and 2000 Series)
	45320	Gasket Door Mag (3000 Series)
	45431	Gasket Door Mag (4000 Series)
4	7245780	Frame Door Gasket (1000 and 2000 Series)
	7245781	Frame Door Gasket (3000 Series)
	7245782	Frame Door Gasket (4000 Series)
5	7245779	Rivet .236 Dia.
6	45432	Switch Rocker

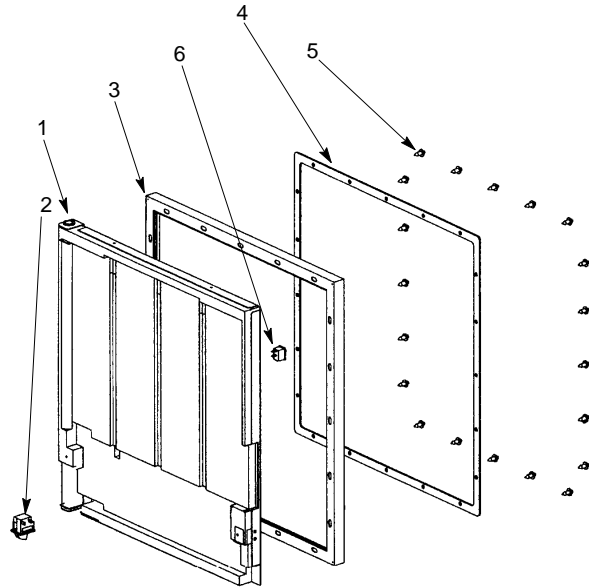


FIGURE 8. REAR DOOR ASSEMBLY

Item No.	Part No.	Name
	45175001	Motor Asy Fan 9W 120V 60HZ
	45175002	Motor Asy Fan 9W 230V 50/60HZ
1	0726802	Nut Tinnerman
2	45159	Panel Splash
3	41757	Washer
4	48004	Motor Fan 9W 120V 60HZ
	48013	Motor Fan 9W 230V 50/60HZ
5	45168	Blade Fan
6	96285001	Screw No. 8-36 x 3/8"
7	45161	Cond Coil

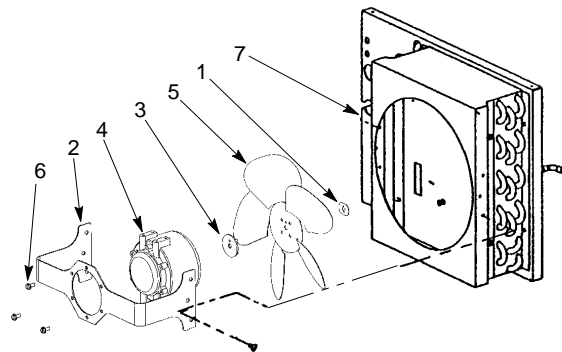


FIGURE 9. CONDENSER MOTOR ASSEMBLY



IMI CORNELIUS INC.
 One Cornelius Place
 Anoka, MN. 55303-6234
 Telephone 1-800-238-3600
 Facsimile 1-800-258-0255

www.cornelius.com

ILLUSTRATED PARTS LIST

QUANTUM SERIES JUICE DISPENSER

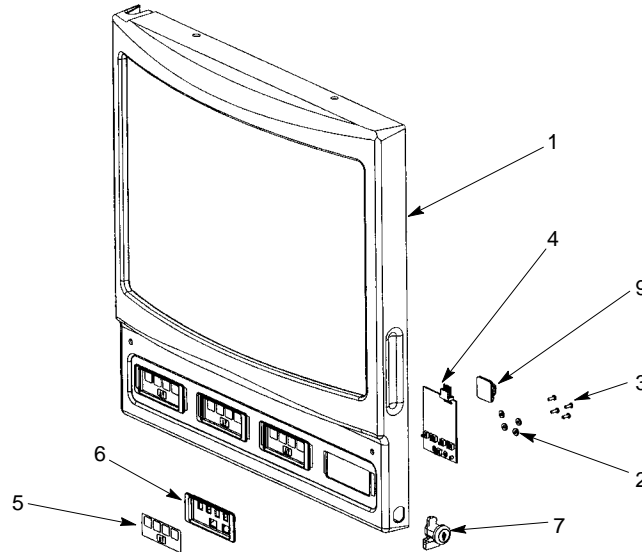


FIGURE 10. DOOR COVER ASSEMBLY

Item No.	Part No.	Name
	45296006	Cover Asy Merchndsr Push Button (2000 Series)
	45296007	Cover Asy Merchndsr Portion Control (2000 Series)
	45296009	Cover Asy Merchndsr Portion Control, Illuminated (2000 Series)
	45394005	Cover Asy Merchndsr Push Button (3000 Series)
	45394007	Cover Asy Merchndsr Push Button, Illuminated (3000 Series)
	45394008	Cover Asy Merchndsr Portion Control, Illuminated (3000 Series)
	45481006	Cover Asy Merchndsr Push Button (3000 Series)
	45481007	Cover Asy Merchndsr Portion Control (4000 Series)
	45481008	Cover Asy Merchndsr Push Button, Illuminated (4000 Series)
	45481009	Cover Asy Merchndsr Portion Control, Illuminated (4000 Series)

Item No.	Part No.	Name
1	45224004	Cover Merchndsr (2000 Series)
	45224005	Cover Merchndsr Illuminated (2000 Series)
	45377004	Cover Merchndsr (3000 Series)
	45377005	Cover Merchndsr Illuminated (3000 Series)
	45472004	Cover Merchndsr (4000 Series)
	45472005	Cover Merchndsr Illuminated (4000 Series)
2	07301029	Washer Ft. .125 I.D.
3	0712901	Screw No. 4 x 5/16"
4	45018001	Board Push Button
	49280001	Portion Cntl Board
5	49230	Overlay Asy Push Button
	49231	Overlay Asy Portion Control
6	7245399	Bezel Push Button
	45398	Bezel Portion Control
7	45435	Lock and Keys
8	11771	Jumper Asy Strain Relief (Not Shown)
9	04037	Clip



IMI CORNELIUS INC.
 One Cornelius Place
 Anoka, MN. 55303-6234
 Telephone 1-800-238-3600
 Facsimile 1-800-258-0255

www.cornelius.com

ILLUSTRATED PARTS LIST

QUANTUM SERIES JUICE DISPENSER

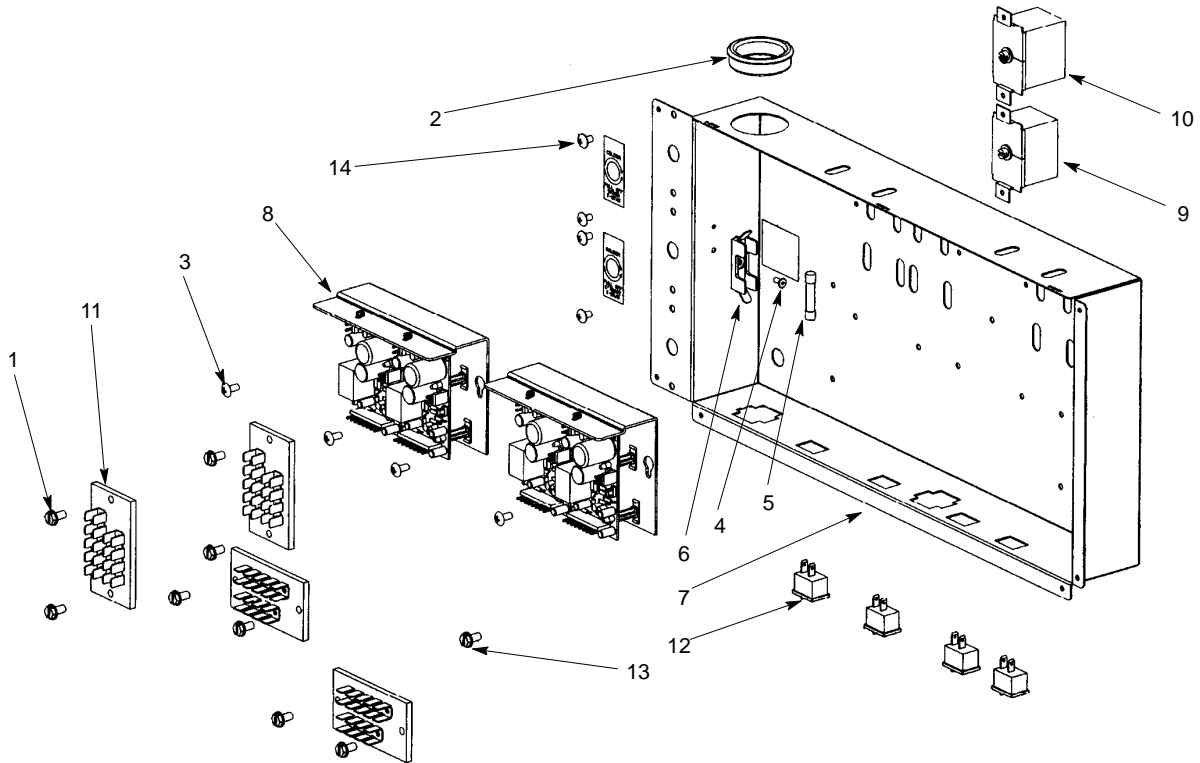


FIGURE 11. ELECTRICAL BOX (DC) ASSEMBLY

Item No.	Part No.	Name
		Box Elec Asy
1	07061001	Screw No. 10 x 3/8"
2	0733903	Bushing Snap
3	07115001	Screw TF 8-32 TRPH 12
4	0734801	Rivet Pop
5	59328001	Fuse 6.25 Amp
6	7245059	Fuseholder
7	45106	Box Elec (1000 and 2000 Series)
	45673	Box Elec (3000 Series)
	45414	Box Elec (4000 Series)

Item No.	Part No.	Name
8	45138	Reg Voltage Asy (1000 Series)
	45238	Reg Voltage Asy (2000 and 4000 Series)
	45674	Reg Voltage Asy (3000 Series)
9	46306	Thermostat Concentrate
10	46307	Thermostat Water Evap
11	49273	Block Term
12	45432	Switch
13	07061003	Screw No. 10 x 3/8" HHWF
14	348871	Screw No. 8-32 x 1/4"



IMI CORNELIUS INC.
 One Cornelius Place
 Anoka, MN. 55303-6234
 Telephone 1-800-238-3600
 Facsimile 1-800-258-0255

www.cornelius.com

ILLUSTRATED PARTS LIST

QUANTUM SERIES JUICE DISPENSER

Item No.	Part No.	Name
		Box Elec Asy
1	45110	Box Elec (1000 and 2000 Series)
	45668	Box Elec (3000 Series)
	45410	Box Elec (4000 Series)
2	07061001	Screw No. 10 x 3/8"
3	49273	Block Term
4	46308	Relay Start 115V 60HZ
	463081	Relay Start 220V 50HZ
5	0735201	Bushing
6	07061003	Screw No. 10 x 3/8"
7	45028	Transfrmr 115V 60HZ (Not Shown)
	45028001	Transfrmr 240V 50HZ (Not Shown)
8	60600002	Ballast (Not Shown)

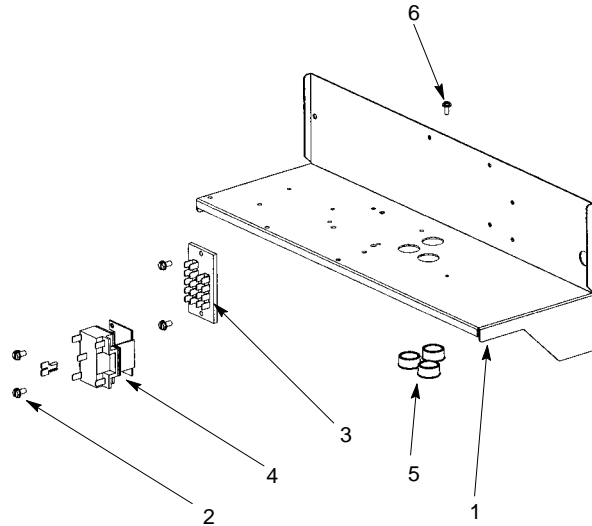


FIGURE 12. ELECTRICAL BOX (AC) ASSEMBLY



IMI CORNELIUS INC.
 One Cornelius Place
 Anoka, MN. 55303-6234
 Telephone 1-800-238-3600
 Facsimile 1-800-258-0255

www.cornelius.com

ILLUSTRATED PARTS LIST

QUANTUM SERIES JUICE DISPENSER

Item No.	Part No.	Name
	45138	Reg Voltage Asy (1000 Series)
	45238	Reg Voltage Asy (2000 and 4000 Series)
	45338	Reg Voltage Asy (3000 Series)
1	45162	Brkt Voltage Regulator
	45675	Brkt Voltage Regulator (3000 Series)
2	45056	Support P.C. Board
3	45012002	Board Voltage Regulator
4	45004	Kit Mounting
5	45004001	Insulator Voltage Reg

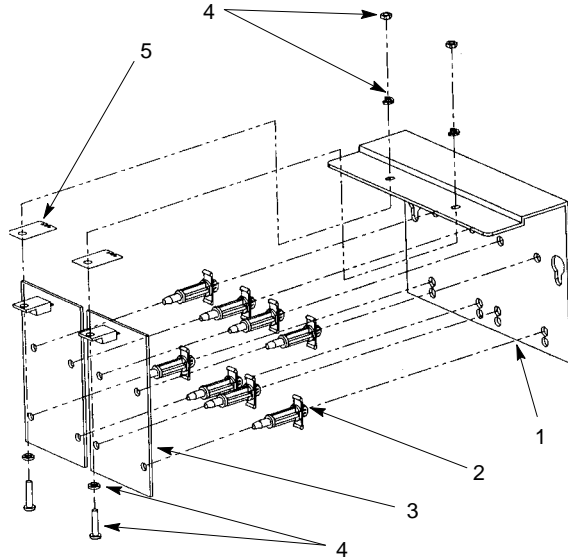


FIGURE 13. VOLTAGE REGULATOR ASSEMBLY

Item No.	Part No.	Name
	45190	Tank Asy
1	46433	Retainer
2	463571	Tank Ball Check
3	7229192	Gasket Adaptor
4	31525010	O-Ring .737 I.D.
5	1836701	Spring Adapter
6	7245246	Fitg Adaptor Tank
7	45260001	Lid Tank
8	45260	Tank
9	45248	Adaptor Asy Tank

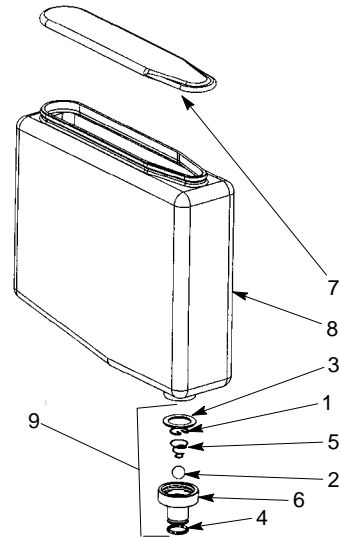


FIGURE 14. TANK ASSEMBLY