



IMI CORNELIUS INC.  
One Cornelius Place  
Anoka, MN. 55303-6234  
Telephone 1-800-238-3600  
Facsimile 1-800-258-0255

[www.cornelius.com](http://www.cornelius.com)

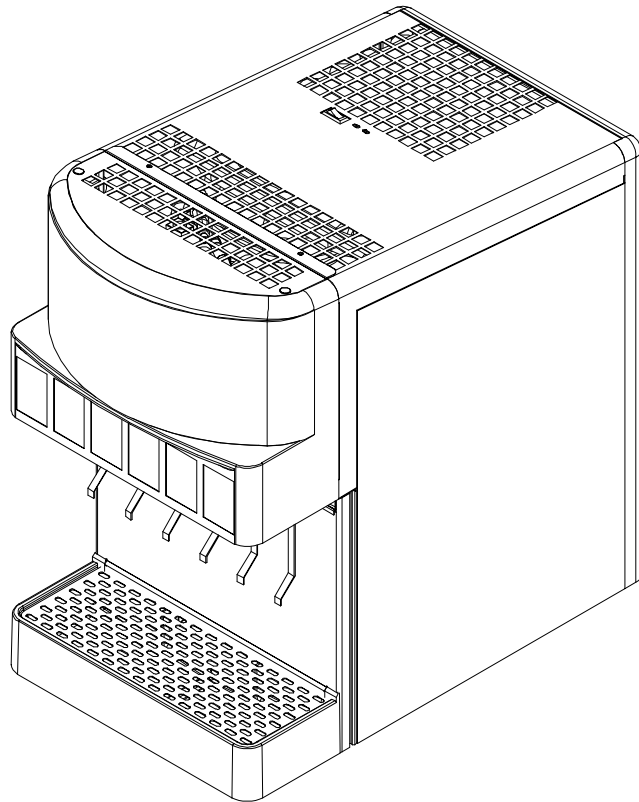
## ILLUSTRATED PARTS LIST

---

### IMPULSE JUICE DISPENSER

#### MODEL NO.

851000109  
851000110  
851000319  
851000320  
851000321





IMI CORNELIUS INC.  
One Cornelius Place  
Anoka, MN. 55303-6234  
Telephone 1-800-238-3600  
Facsimile 1-800-258-0255

www.cornelius.com

## ILLUSTRATED PARTS LIST

### IMPULSE DISPENSER

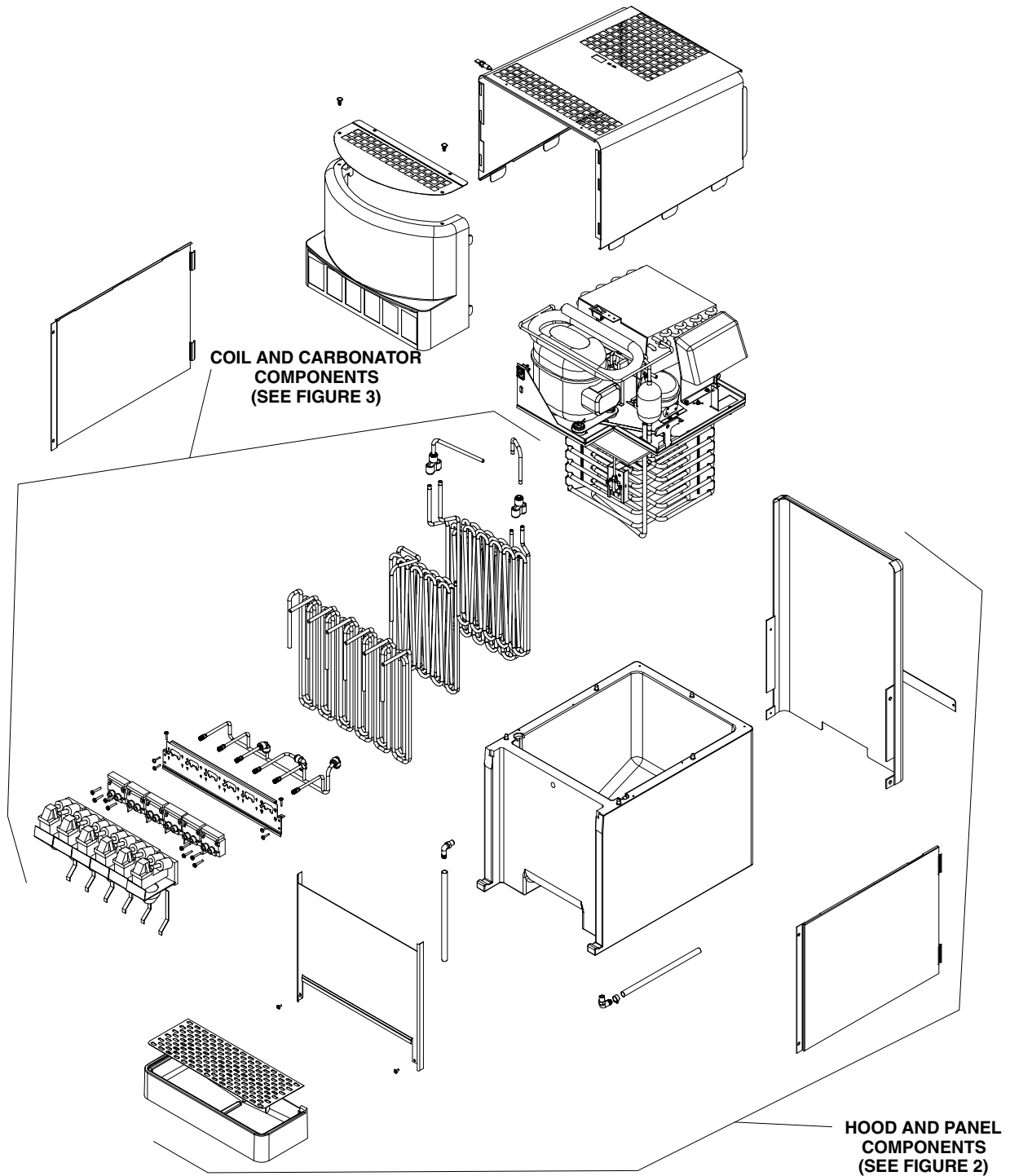


FIGURE 1. IMPULSE GENERAL ASSEMBLY



IMI CORNELIUS INC.  
 One Cornelius Place  
 Anoka, MN. 55303-6234  
 Telephone 1-800-238-3600  
 Facsimile 1-800-258-0255

www.cornelius.com

## ILLUSTRATED PARTS LIST

### IMPULSE DISPENSER

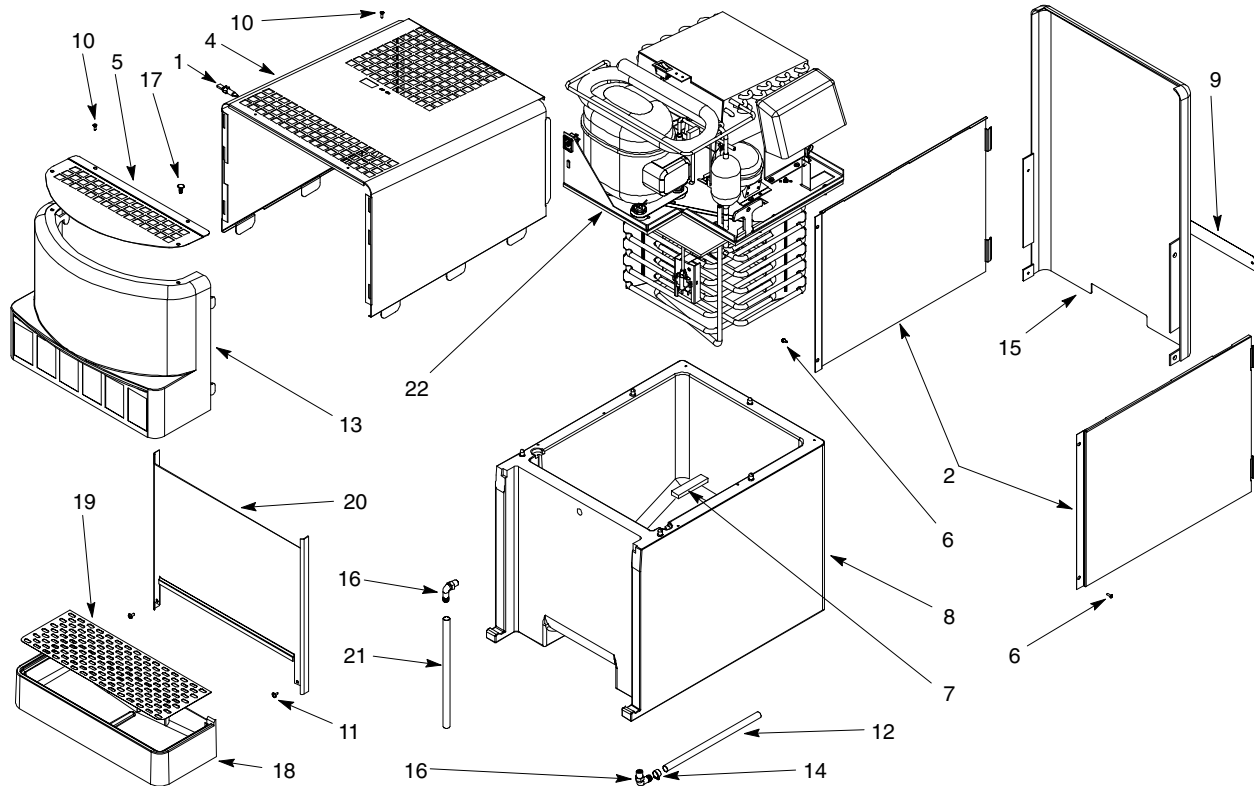


FIGURE 2. HOOD AND PANEL COMPONENTS

Item No.	Part No.	Name
1	3320	Switch Key Lock
	3321	Key Lock
2	850000261	Panel Side, Right
3	850000262	Panel Side, Left
4	850000323	Wrap Center
5	850000317	Panel Top Fnt
6	850000284	Screw SM 8 FLPH 16
7	850000259	Strip Blockoff
8	850000157	Housing
9	850000165	Cover Access
10	319941000	Screw TR 8-32 HXWS 12
11	188117000	Screw SM 8 TRPH 12
12	113500000	Tube Vinyl .500 I.D. (Sold by the Foot)

Item No.	Part No.	Name
13	850000212	Merchndsr Housing 6-Flavor
	850000339	Baffle Air Merch (Not Shown)
14	140135000	Clamp Hose
15	850000233	Panel Back
	850000186	Decal Panel Back (Not Shown)
16	1971	Fitg L 1/2-Barb x 1/4-MPT
17	850000285	Clip
18	850000239	Drip Tray
19	850000444	Cup Rest
20	850000226	Panel Splash
21	650094	Tubg Vinyl .500 I.D. By 13-In. Long
22	859000133	Chassis Rfg Asy 120V 60HZ (See Figure 5)



IMI CORNELIUS INC.  
 One Cornelius Place  
 Anoka, MN. 55303-6234  
 Telephone 1-800-238-3600  
 Facsimile 1-800-258-0255

www.cornelius.com

## ILLUSTRATED PARTS LIST

### IMPULSE DISPENSER

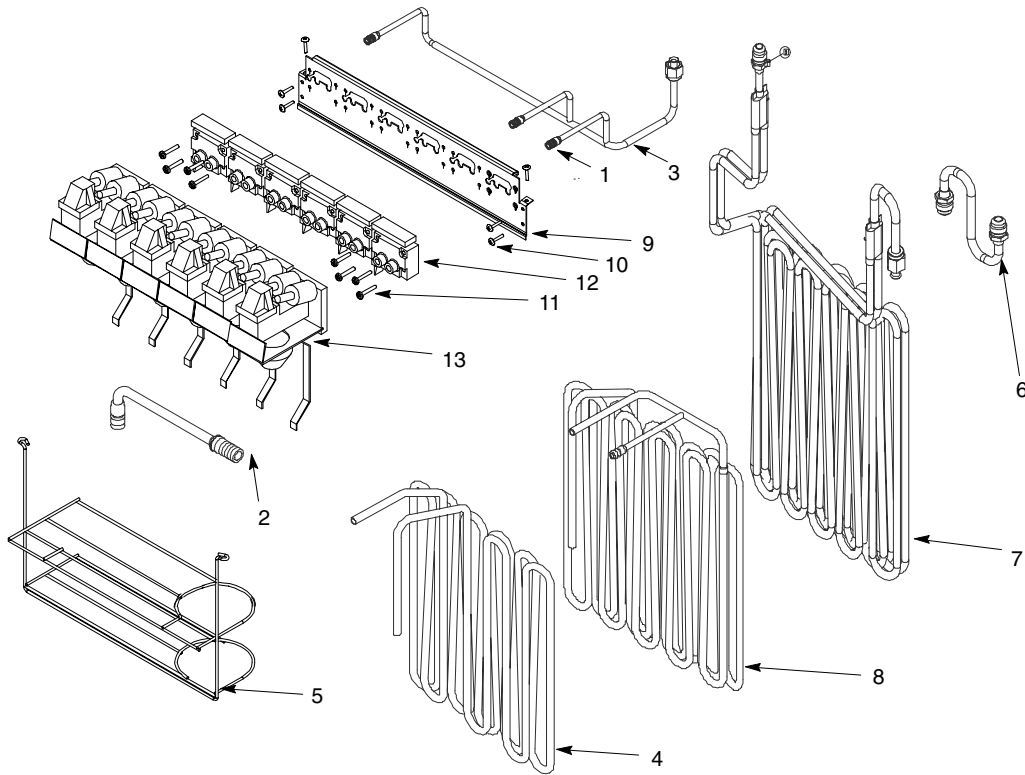


FIGURE 3. COIL AND CARBONATOR COMPONENTS

Item No.	Part No.	Name
1	317015000	O-Ring .239 I.D.
2	850000368	Syrup Inlet Fitting
3	620407750	Manifold Wtr 6-Flavor
4	850000514	Water Coil 1 Val
5	850000155	Rack Coil
6	620717787	S Tube
7	620408246	Coil Main Water
8	850000535	Coil Plain Water 2 Val

Item No.	Part No.	Name
9	850000134	Panel Val 6-Flavor
10	200468012	Sheet Metal Screw, Phil Truss Hd, No. 8 by 3/4" long
11	560003072	Sheet Metal Screw, Phil Pan Hd, No. 10 by 1" long
12	1919	Display Valve Mounting Block Assy (See Manual No. 315222003)
13	561000124	Dispensing Valve Assy (See Manual No. 315222003)
14	850000289	Wire Harness Valve



IMI CORNELIUS INC.  
 One Cornelius Place  
 Anoka, MN. 55303-6234  
 Telephone 1-800-238-3600  
 Facsimile 1-800-258-0255

www.cornelius.com

## ILLUSTRATED PARTS LIST

### IMPULSE DISPENSER

Item No.	Part No.	Name
1	850000128	Platform Pump and Motor Ass'y
2	850000176	Insulation Platform
3	449999999	Transfrmr 120V 60HZ-24V
	560002114	Transfrmr 220V 50HZ-24V
4	850000252	Insulation Platform
5	200468012	Screw SM 8 TRPH 24

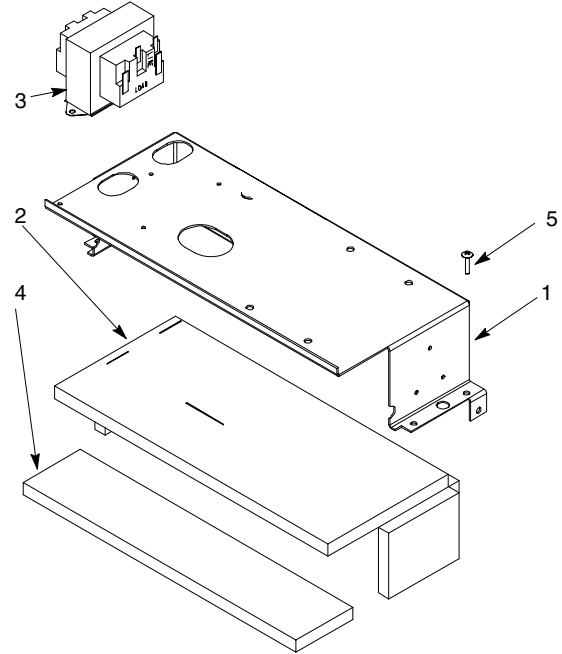


FIGURE 4. PUMP AND MOTOR ASSEMBLY

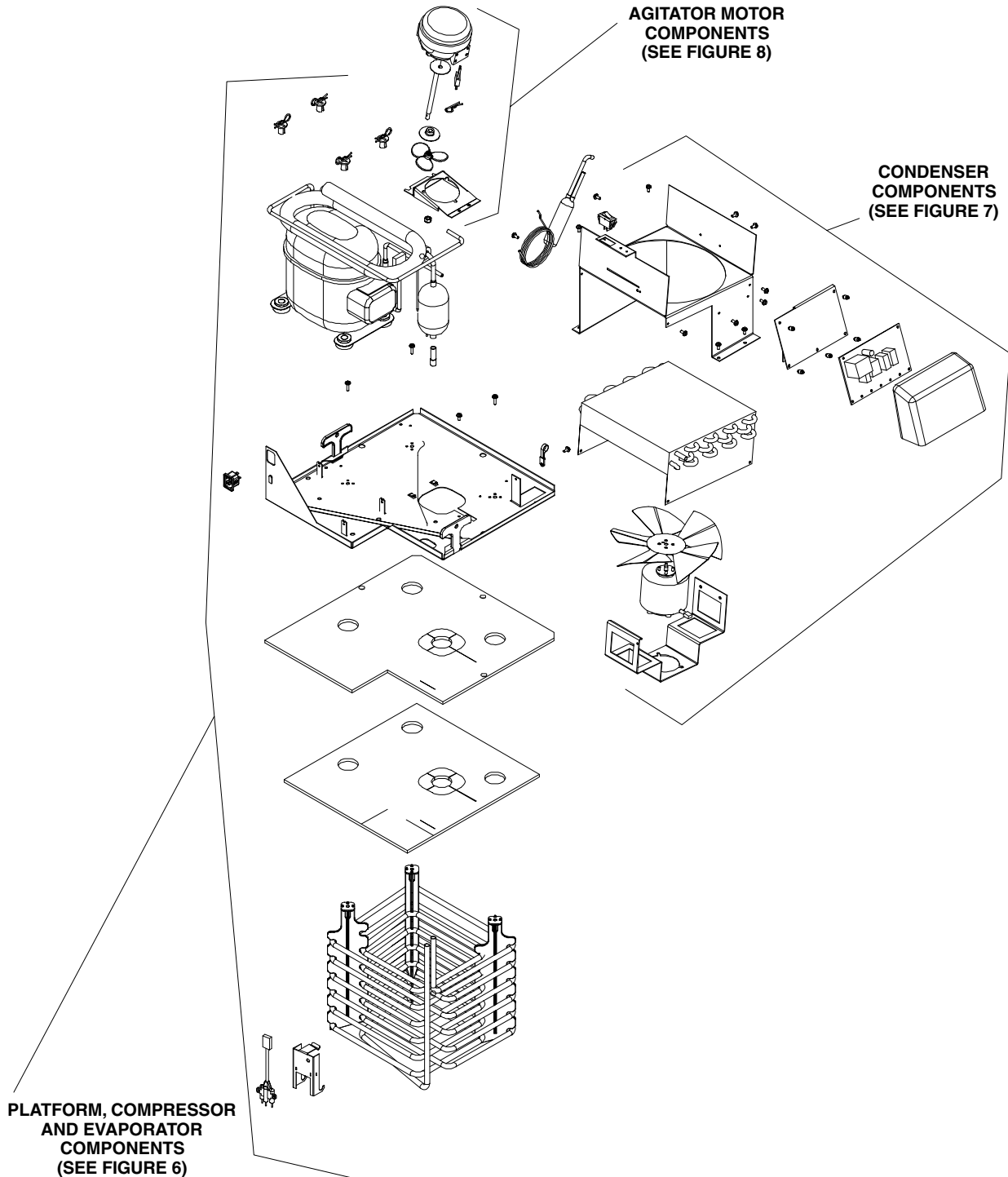


IMI CORNELIUS INC.  
One Cornelius Place  
Anoka, MN. 55303-6234  
Telephone 1-800-238-3600  
Facsimile 1-800-258-0255

www.cornelius.com

## ILLUSTRATED PARTS LIST

### IMPULSE DISPENSER



**FIGURE 5. CARBONATOR ASSEMBLY**

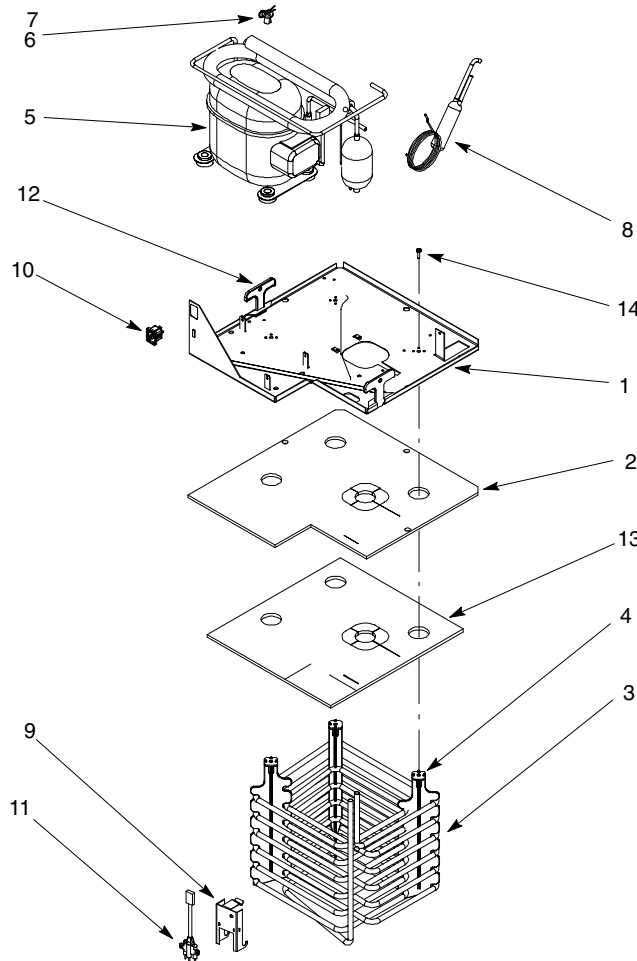


IMI CORNELIUS INC.  
 One Cornelius Place  
 Anoka, MN. 55303-6234  
 Telephone 1-800-238-3600  
 Facsimile 1-800-258-0255

www.cornelius.com

## ILLUSTRATED PARTS LIST

### IMPULSE DISPENSER



**FIGURE 6. PLATFORM, COMPRESSOR AND EVAPORATOR COMPONENTS**

Item No.	Part No.	Name
1	850000498	Platform Rfg
2	850000347	Insulation Platform
3	850000101	Evap Coil
4	850000473	Spacer Coil Evap
5	569030017	Kit Comp 1/3 H.P. 120V 60HZ
	569030018	Kit Comp 1/3 H.P. 220V 50HZ
	560004354	Overld Comp 120V 60HZ
	560004356	Overld Comp 230V 50HZ
	560004355	Relay Start Comp 120V 60HZ
	560004357	Relay Start Comp 230V 50HZ

Item No.	Part No.	Name
6	317781000	Bushing Split Compressor Mounting
7	398034400	Pin Hitch
8	850000361	Dryer
9	850000163	Holder Probe
10	4345	Receptacle
11	560003860	Probe Ice Bank Control
12	4556	Handle
13	850000347	Insulation Platform
14	0010	Screw TT 10-14 PAPH 20



IMI CORNELIUS INC.  
 One Cornelius Place  
 Anoka, MN. 55303-6234  
 Telephone 1-800-238-3600  
 Facsimile 1-800-258-0255

www.cornelius.com

## ILLUSTRATED PARTS LIST

### IMPULSE DISPENSER

Item No.	Part No.	Name
1	319941000	Screw TR 8-32 HXWS 12
2	309645000	Swt Rocker On-Off
3	449999972	Control Ice Bank 120V, 60HZ
	449999973	Control Ice Bank 230V 50HZ
4	2782	Motor Fan 9W 120V 60HZ (Morril)
	560003439	Motor Fan 9W 120V 60HZ (EBM)
	2783	Motor Fan 9W 230V 50HZ (Morril)
	560003440	Motor Fan 9W 230V 50HZ (EBM)
5	850000103	Cond Coil
6	850000138	Shroud Cond
7	850000229	Fan 5-Blade
8	850000241	Brkt Mtr Fan (Morril)
	850000274	Brkt Mtr Cond (EBM)
9	850000281	Brkt Elec Board Mnt
10	850000280	Cover Elec Box
11	560001586	Support P.C. Board
12	850000283	Screw MA PAPH 8 (EBM)

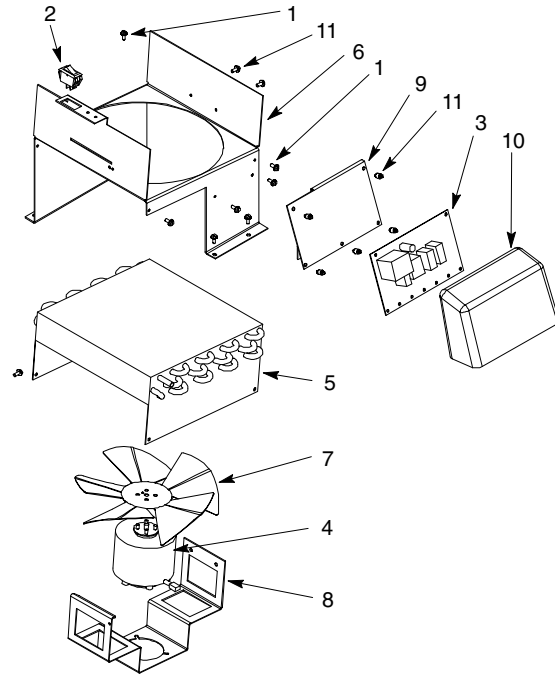


FIGURE 7. CONDENSER COMPONENTS

Item No.	Part No.	Name
1	186116000	Nut Hex 1/4-20
2	186154000	Screw SE 8-36 PAPH 12
3	186216000	Blade Agit
4	186294000	Washer Lk .262 I.D.
5	186599000	Slinger Water
6	850000238	Brkt Mtr Agit
7	3454	Motor Agit 120V 60HZ
	560002354	Motor Agit 230V 50HZ

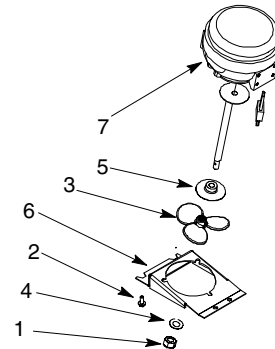


FIGURE 8. AGITATOR MOTOR COMPONENTS

Item No.	Part No.	Name
1	850000305	Brkt Light
2	300836000	Ballast Circlin 120V 60HZ
	850000419	Ballast Circlin 230V 60HZ
	850000357	Ballast Circlin 230V 50HZ
3	319941000	Screw TR 8-32 HXWS 12
4	3738	Swt Rotary On/Off
5	850000356	Tie Cable
6	2107	Bulb

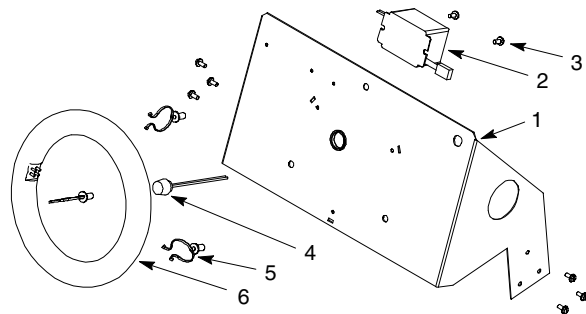


FIGURE 9. OPTIONAL LIGHT KIT





IMI CORNELIUS INC.  
One Cornelius Place  
Anoka, MN. 55303-6234  
Telephone 1-800-238-3600  
Facsimile 1-800-258-0255

[www.cornelius.com](http://www.cornelius.com)

## ILLUSTRATED PARTS LIST

---