

Juice Fountain™



Juice Extractor Safety.....	2	Care and Cleaning.....	10
Before First Use.....	3	Troubleshooting.....	11
Know Your Juice Extractor.....	4	Juicing Tips and Techniques.....	12
How to Assemble.....	5	Customer Service.....	14
How to Use.....	7		
How to Disassemble.....	8		

In USA: 1-800-851-8900
In Canada: 1-800-267-2826

Juice Extractor Safety

IMPORTANT SAFEGUARDS

When using electrical appliances, basic safety precautions should be observed, including the following:

1. Read all instructions before operating.
2. To protect against risk of electrical shock, do not immerse cord, plug, or motor base in water or other liquid.
3. This appliance is not intended for use by children. Close supervision is necessary when this appliance is used near children. Do not allow children to use this appliance.
4. Always turn appliance OFF and unplug cord from outlet when not in use, before putting on or taking off parts, and before cleaning.
5. Avoid contacting moving parts. Keep fingers out of feed chute.
6. Never feed food by hand – always use the food pusher.
7. Always make sure the juice extractor is properly and completely assembled before the motor is turned on. The unit will not turn ON unless properly assembled. Do not release safety locking arm while juice extractor is in operation.
8. Never operate without pulp container in place.
9. Be sure to turn switch to OFF position after each use of your juice extractor. Make sure the motor stops completely before disassembling.
10. Do not put fingers or other objects into the juice extractor feed chute while it is in operation. If food becomes lodged in the opening, use food pusher to push it down. When this method is not possible, turn the motor off, unplug the cord from the outlet, and disassemble juicer to remove the remaining food.
11. Do not operate any appliance with a damaged cord or plug, or after the appliance malfunctions or is dropped or damaged in any manner. Call our toll-free customer service number for information on examination, repair or adjustment.
12. The use of attachments not recommended or sold by Hamilton Beach/Proctor-Silex, Inc. may cause fire, electric shock, or injury.
13. Do not use outdoors.
14. Do not let cord hang over edge of table or counter, or touch hot surfaces, including stove, or become knotted.
15. Do not leave juice extractor unattended while it is operating.
16. Blades are sharp; handle carefully. Do not touch the small cutting blades in the base of the stainless steel filter basket.
17. Keep hair, clothing, and jewelry, as well as spatulas and other utensils, away from feed chute during operation to prevent the possibility of severe injury to persons and/or damage to the appliance.
18. **The filter basket is a very delicate screen not covered under the warranty.** Do not wash in an automatic dishwasher. If bent or damaged, do not use, as it could break into small pieces and cause personal injury and/or damage the appliance. Call our toll-free customer service number to order a new filter basket. Replace filter basket when it shows signs of wear.
19. Always use the juice extractor on a dry, level surface.
20. Any maintenance other than cleaning should be performed by an authorized service center.
21. To reduce the risk of personal injury and/or damage to the appliance, do not use bent, dented or otherwise damaged filter basket.

SAVE THESE INSTRUCTIONS!

Consumer Safety Information



⚠ CAUTION

Extra-wide feed chute. Do not place hands or foreign objects down feed chute. Always use the food pusher.

CAUTION: This appliance is not intended for use by children.

This appliance is equipped with a polarized plug. This type of plug has one blade wider than the other. The plug will fit into an electrical outlet only one way. This is a safety feature intended to help reduce the risk of electrical shock. If you are unable to insert the plug into the outlet, try reversing the plug. If the plug should still fail to fit, contact a qualified electrician to replace the obsolete outlet. Do not attempt to defeat the safety purpose of the polarized plug by modifying the plug in any way.

The length of the cord used on this appliance was selected to reduce the hazards of becoming tangled in or tripping over a longer cord. If a longer cord is necessary, only an approved extension cord may be used. The electrical rating of the extension cord must be equal to or greater than the rating of the juicer. Care must be taken to arrange the extension cord so that it will not drape over the countertop or table-top where it can be pulled on by children or accidentally tripped over.

The electrical rating of this appliance is listed on the bottom panel of the unit.

Before First Use

After unpacking the juicer, remove cardboard from filter basket and wash everything except the base in warm, soapy water. Rinse and dry immediately. Never immerse the base in water or other liquids; wipe it with a damp sponge.

This appliance is intended for household use only.

NOTE: When juicing oranges, always peel before placing in the juicer.

Know Your Juice Extractor

Parts and Features

1. **Food Pusher** for pushing whole fruits and vegetables down the patented extra-wide Feed Chute.
2. **Extra-Wide Feed Chute** fits whole apples, carrots, tomatoes, and peeled oranges. Makes juicing fruits and vegetables easy and fast.
3. **Juicer Cover**
4. **Stainless Steel Micro Mesh Filter Basket**
5. **Filter Bowl**
6. **Safety Locking Arm** – Juicer will not operate without Juicer Cover in place and Safety Locking Arm in place in the vertical operating position.
7. **On/Off Switch**
8. **Cord** – wraps around feet and clips into position under Base.
9. **High Performance Motor Base** – 600 watt motor.
10. **Large Pulp Container**



How to Assemble

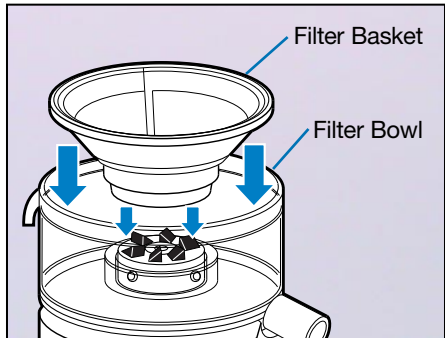
Read and follow instructions in "Before First Use."



Place Filter Bowl on top of the Motor Base.



Place the Juicer Cover over the Filter Bowl, positioning the Feed Chute over the Stainless Steel Filter Basket and lower into position.

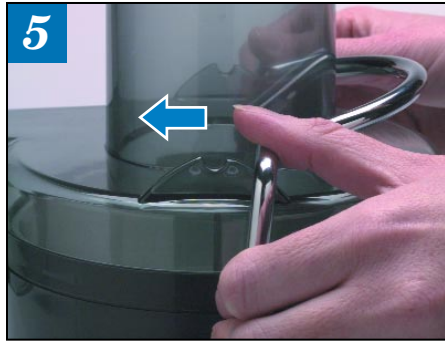


Place the Stainless Steel Filter Basket inside the Filter Bowl. With hands on outer edge, press Filter Basket down firmly to latch into position.



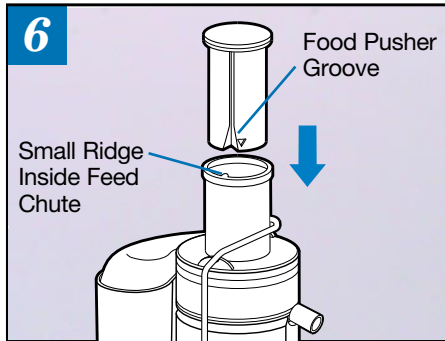
Raise the Safety Locking Arm up into the vertical operating position.

(continued on next page)



Next, position Locking Arm into the two grooves on either side of Juice Cover.

NOTE: Juicer will not operate unless Locking Arm is properly locked in place.



Slide the Food Pusher down the Feed Chute by aligning the groove in the Food Pusher with the small ridge on the inside of the top of the Feed Tube.



Continue to slide the Food Pusher down the Food Chute.

6



Place the Pulp Container into position by tilting the Container slightly.

Hint!

To minimize clean-up, place a plastic grocery bag in the Pulp Container to collect the pulp. (See page 7 for more information.)



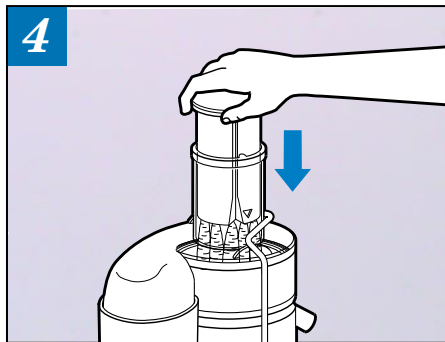
Place a container or glass under the spout on the right hand side of the Juice Fountain™.

How to Use

1 Wash fruits and vegetables.
NOTE: Most fruits and vegetables such as apples, carrots, and cucumbers will not need to be cut since they will fit into the Feed Chute whole. If using fruits or vegetables with hard or inedible skins such as oranges, melons or mangoes, always peel before placing in juice extractor.

2 Ensure that the Juice Fountain™ is correctly assembled (see pages 5 and 6) and place a glass or container under the spout.

3 Plug cord into 120 volt AC outlet. Turn the ON/OFF Switch to ON.



With the motor running, place food down the Feed Chute. Using the Food Pusher, gently guide food down the Feed Chute. **To extract the maximum amount of juice, always push the Food Pusher down slowly. Do not force food down the Feed Chute. If food is stuck, turn OFF juicer and unplug. Remove food and cut food into smaller pieces.**

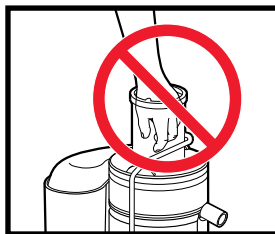
5 Juice will flow into the glass and the separated pulp will accumulate in the Pulp Container.

NOTE: The Pulp Container can be emptied during juicing by turning the Juice Fountain™ OFF and then carefully removing the Pulp Container. (Replace empty Pulp Container before continuing to juice.)



To minimize clean-up, place a plastic grocery bag in the Pulp Container to collect the pulp. When juicing is completed, simply remove the grocery bag containing the pulp.

NOTE: Do not allow the Pulp Container to overfill as this may prevent correct operation or damage the unit.



⚠ CAUTION

Never use fingers to push food down the Feed Chute or to clear the Feed Chute. Always use the Food Pusher provided.

How to Disassemble

- 1** Turn Juice Fountain™ OFF and unplug. Allow Filter Basket to stop turning.



Remove the Pulp Container by tilting the Container slightly.



Place both hands on either side of the Locking arm and pull back.



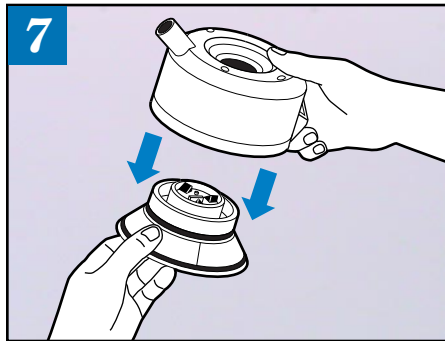
Move the Locking Arm down.



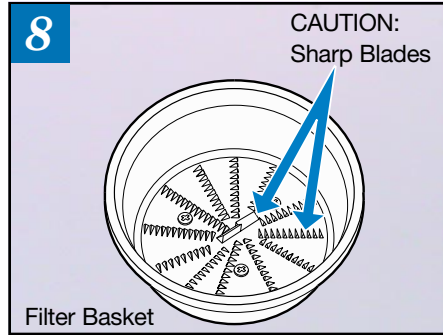
Lift off the Cover.



Lift off the Filter Bowl with the Stainless Steel Filter Basket still in place.



To remove the Stainless Steel Filter Basket, turn the Filter Bowl upside down and carefully remove the Filter Basket. (It is recommended to remove the Filter Basket over a sink.)

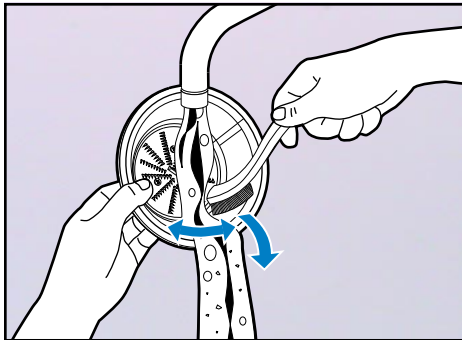


CAUTION: The Stainless Steel Filter Basket contains small, sharp blades to cut and process fruits and vegetables. Do not touch blades when handling the Filter Basket.

Care and Cleaning

- After disassembling the unit (see pages 8 and 9) all removable parts may be washed in hot, soapy water.
- All plastic parts of the Juice Fountain™ can be placed in the bottom or top rack of the dishwasher. **Do not** place Stainless Steel Filter Basket or Motor Base in the dishwasher.
- Wipe the Motor Base with a damp cloth.

WARNING: To reduce the risk of electric shock do not immerse the Motor Base in water or any other liquid.



- A nylon brush is the most effective when cleaning the Filter Basket. Using a nylon brush, hold the Filter Basket under running water and brush from the inside of the basket out. Always treat the Filter Basket with care; it can be easily damaged.

- Discoloration of the plastic may occur with some fruit and vegetables. To help prevent this, wash all parts immediately after use.

CAUTION: The center of the Filter Basket contains small, sharp blades to process fruits and vegetables during the juicing function. Do not touch blades when handling the Filter Basket.

NOTES:

- To assist with cleaning, soak the Stainless Steel Filter Basket in hot, soapy water for approximately 10 minutes immediately after juicing is completed. If pulp is left to dry on the filter it may clog the fine pores of the filter mesh thereby lessening the effectiveness of the Juice Fountain™.
- For your convenience, a nylon cleaning brush has been included with your Juice Fountain™.

Troubleshooting

POSSIBLE PROBLEM	EASY SOLUTION
Machine will not work when switched "ON."	The Safety Locking Arm may not be correctly engaged. Check to see if Safety Locking Arm is properly positioned in the two grooves on either side of the Juice Cover. Refer to pages 5 and 6, Steps 4 and 5.
Motor appears to stall when juicing.	Wet pulp can build up under the Juicer Cover if the juicing action is too vigorous. Try slower juicing action by pushing the Food Pusher down more slowly. Refer to page 7, Step 4.
Excess pulp building up in the Micro Mesh Filter Basket.	Turn OFF and unplug. Remove the Juicer Cover, scrape off pulp. Reassemble and begin juicing again. Try alternating vegetable and fruit varieties.
Pulp is too wet and insufficient juice is produced.	Try a slower juicing action. Turn OFF and unplug. Remove Filter Basket and clean mesh walls with a fine brush. This will remove excess fiber build-up which could be inhibiting the juice flow. Refer to pages 7 and 10.
Juice leaks between the rim of the Juicer Cover and the Filter Bowl.	Try a slower juicing action by pushing the Food Pusher down more slowly. Refer to page 7, Step 4.
Juice sprays out of spout.	Try a slower juicing action by pushing the Food Pusher down more slowly. Refer to page 7, Step 4.
Juice drips out of spout immediately after juicing.	With motor ON, raise and lower Food Pusher in Feed Chute several times. The pressure forces remaining pulp and juice out of Filter Bowl.
Machine vibrates excessively.	Build up of pulp in mesh of Filter Basket. Turn unit OFF and unplug. Clean Filter Basket. Refer to page 10.

Juicing Tips and Techniques

Purchasing and Storing Your Fruits & Vegetables

- Always wash fruits and vegetables before juicing.
- Always use fresh fruits and vegetables for juicing.
- To save money and obtain fresher produce, purchase fruits or vegetables that are in season.
- Keep your fruits and vegetables ready for juicing by washing them before storing.
- Most fruits and hardier type vegetables can be stored at cool room temperature. The more delicate and perishable items such as tomatoes, berries, leafy greens, celery, cucumbers and herbs should be stored in the refrigerator until required.

Preparing Fruits & Vegetables

- If using fruits with hard or inedible skins such as oranges, melons, mangoes and kiwi fruit, always peel before placing in the Juicer.
- All fruits with pits and seeds or stones such as nectarines, peaches, apricots, plums and cherries **MUST** be pitted before juicing.

Hint!

Your Juice Fountain™ makes invigorating, frothy orange juice. Simply peel the oranges and juice. For best results, refrigerate oranges before juicing.

The Right Technique

- When juicing a variety of different ingredients of varying textures, best results are gained by alternating harder ingredients with softer ones. For example, when juicing two hard vegetables such as carrots and parsnips and a softer type, such as tomatoes, start with the parsnips, then the tomato, finishing with the carrots. Alternating between soft and hard vegetables in this manner assists by cleaning the stainless steel filter basket between the vegetables. This enables the Juicer to extract the maximum amount of juice from each vegetable.
- If you are using herbs, sprouts or small leafy greens it is a good idea to wrap them in a large lettuce or spinach leaf or place them through the Feed Chute between pieces of firmer vegetable.
- All fruits and vegetables produce different amounts of liquids. This varies within the same group, i.e. one batch of tomatoes can produce more juice than another batch. Since juice recipes are not exact, and juicing is not a science, the precise quantities of any juice are not crucial to the success of a particular drink recipe. Specific amounts are important in other recipes, such as baked goods or jellies.

The Right Blend

- It is not difficult to create great tasting juice. If you have been making your own vegetable and fruit juices, then you know how simple it is to invent new combinations. Taste, color, texture and ingredients are all personal preferences. Just think of some of your favorite flavors and foods; would they work well together or would they clash? Some strong flavors could overpower the more subtle flavors of others. It is, however, a good rule of thumb to combine starchy, pulpy ingredients with those high in moisture.
- Experiment! Any fruit or vegetable that you enjoy can go into your next drink. You may choose to use one fruit to give a predominant flavor and accent it with a hint of another flavor. The choices are limited only by your imagination.

Using The Pulp

- The remaining pulp left after juicing fruits or vegetables is mostly fiber and cellulose which, like the juice, contains vital nutrients necessary for the daily diet and can be used in many ways. However, like the juice, pulp should be used that day to avoid loss of vitamins.
- There are a number of recipes that use pulp. You can also use pulp to thicken casseroles or soups.
- Pulp is great used in the garden for compost.

Customer Service

If you have a question about your Juice Fountain™, call our toll-free customer service number. Before calling, please note the model, type, and series numbers and fill in that information below. These numbers can be found on the bottom of your Juice Fountain™. This information will help us answer your question much more quickly.

MODEL: _____ **TYPE:** _____ **SERIES:** _____

ONE YEAR LIMITED WARRANTY

Hamilton Beach/Proctor-Silex, Inc. warrants this appliance to be free from defects in material and workmanship for a period of one (1) year from the date of original purchase, except as noted. There is no warranty with respect to the following, which may be supplied with this appliance: glass parts, glass containers, filter basket, blades and/or agitators. This warranty extends only to the original consumer purchaser and does not cover damage from abuse, neglect, use for commercial purposes, or any other use not found in the printed directions. HAMILTON BEACH/PROCTOR-SILEX, INC. EXPRESSLY DISCLAIMS ALL RESPONSIBILITY FOR CONSEQUENTIAL DAMAGES OR INCIDENTAL LOSSES CAUSED BY USE OF THIS APPLIANCE. Some states or provinces do not allow this exclusion or limitation of incidental or consequential losses, so the foregoing disclaimer may not apply to you. If you have a claim under this warranty, DO NOT RETURN THE APPLIANCE TO THE STORE! Please call our CUSTOMER SERVICE NUMBER. (For faster service please have model, series, and type numbers ready for operator to assist you.)

CUSTOMER SERVICE NUMBERS

In the U.S. 1-800-851-8900

In Canada 1-800-267-2826

Web site address: www.hamiltonbeach.com

KEEP THESE NUMBERS FOR FUTURE REFERENCE!

This warranty gives you specific legal rights, and you may also have other legal rights which vary from state to state, or province to province.

HAMILTON BEACH ♦ PROCTOR-SILEX, INC.

263 Yadkin Road
Southern Pines, NC 28387

PROCTOR-SILEX CANADA, INC.

Picton, Ontario K0K 2T0

840067800

Web site address: www.hamiltonbeach.com

3/00