

# Breville®

Breville is a registered trademark of Breville Pty. Limited  
Breville es una marca registrada de Breville Holdings Pty. Limited

## Breville Customer Service Breville Centro de Servicio al Cliente

### US Customers

#### Para Clientes en Estados Unidos

☎ Centro de Servicio al Cliente: 1 (866) BREVILLE

Email [askus@brevilleUSA.com](mailto:askus@brevilleUSA.com)

### Canada Customers

#### Para Clientes en Canada

✉ Anglo Canadian  
2555, avenue Aviation  
Pointe-Claire (Montréal) Québec  
H9P 2Z2

☎ Centro de Servicio al Cliente: 1 (866) BREVILLE

Fax (514) 683-5554

Email [askus@breville.ca](mailto:askus@breville.ca)

© Copyright. Breville Pty. Limited 2002  
Due to continual improvements in design or otherwise,  
the product you purchase may differ slightly from  
the one illustrated in this booklet.

© 2002, Breville Pty. Ltd.  
Este manual esta registrado. Cualquier uso de los gráficos  
o fotografías se considera una violación a los derechos de  
Breville Pty. y se actuará conforme a la ley.  
Debido a los continuas modificaciones en el diseño  
y otros elementos, el producto que aparece en este  
folleto puede ser ligeramente diferente.

Model JE900

Issue 1/03

PACKAGING CODE - AM

# Breville®

# Juice Fountain®

## Professional Juice Extractor



## INSTRUCTIONS FOR USE AND RECIPE BOOK

Model JE900

IMPRESO EN PAPEL  
RECICLADO



PRINTED ON  
RECYCLED PAPER

## CONTENTS

	Page
Introduction	3
Breville Recommends Safety First	4
Know Your Breville Juice Fountain	6
Assembling Your Breville Juice Fountain	8
Operating Your Breville Juice Fountain	11
Disassembling Your Breville Juice Fountain	13
Care and Cleaning	15
Trouble Shooting Guide at a Glance	17
Tips on Juicing	
The Inside Information on Juice	18
Purchasing and Storage of Fruit and Vegetables	18
Preparation of Fruit and Vegetables	19
The Right Technique	19
Getting the Right Blend	20
Using the Pulp	20
Fruit and Vegetable Facts	21
Recipe Ideas	
Fresh Starts	23
Vitamin Replacers	25
Liquid Lunches	26
Icy Coolers	28
Spirited Juices	30
Energy Fuel	31
Fiber Favorites	32
Spanish Instructions	37

Juice Fountain®

# Congratulations

Congratulations on the purchase of your new Breville®  
Juice Fountain® Professional juice extractor



## BREVILLE RECOMMENDS SAFETY FIRST

# IMPORTANT SAFEGUARDS

We at Breville are very safety conscious. We design and manufacture consumer products with the safety of you, our valued customer foremost in mind. In addition we ask that you exercise a degree of care when using any electrical appliance and adhere to the following precautions:

### IMPORTANT SAFEGUARDS FOR YOUR JUICE FOUNTAIN PROFESSIONAL AND FOR ALL ELECTRICAL APPLIANCES



- Read all instructions before use.
- Always use the appliance on a dry level surface.
- Do not push produce into the Feed Chute with your fingers. Always use the Food Pusher provided.
- Do not touch the small cutting blades in the base of the Stainless Steel Filter Basket.
- Do not leave the Juice Fountain unattended when in use. Close supervision is necessary when this appliance is being used near children. Do not allow children to use this appliance.
- Always make sure the Juice Fountain is properly and completely assembled before operating. The unit will not turn 'ON' unless properly assembled.
- Always use the Juice Fountain on a dry, level surface.
- Always disconnect the Juice Fountain from the power outlet when not in use or when assembling.
- Always make sure juicer cover is clamped securely in place before motor is turned on. Do not unfasten clamps while juicer is in operation.
- Be sure to turn switch to 'OFF' position after each use for your juicer. Make sure the motor stops completely before disassembling.
- Do not put your fingers or other objects into the juicer opening while it is in operation. If food becomes lodged in opening, use food pusher or another piece of fruit or vegetable to push it down. When this method is not possible turn the motor off and disassemble juicer to remove the remaining food.
- Regularly inspect the supply cord, plug and actual appliance for any damage. If found damaged in anyway, immediately cease use of the appliance and call Breville Customer Service at 1-866-Breville.
- Carefully read all instructions before operating and save for future reference.
- Do not immerse power cord or motor base in water or any other liquid.
- Do not leave the appliance unattended when in use. Close supervision is necessary when this appliance is near children.
- This appliance is not intended for use by young children without supervision.

## BREVILLE RECOMMENDS SAFETY FIRST cont'd

- Do not operate any electrical appliance with a damaged cord or plug or after the appliance has malfunctioned or been damaged in any manner. If damaged, immediately stop use and call Breville Customer Service at 1-866-Breville for examination, adjustment or repair.
- Do not let the cord hang over the edge of a table or counter, or touch hot surfaces or become knotted.
- Do not place this appliance on or near a hot gas or electric burner, or where it could touch a heated oven.
- Always turn 'OFF' at the power point and remove cord
  - if the appliance is left unattended,
  - if not in use,
  - before cleaning,
  - before attempting to move the appliance.
- For any maintenance other than cleaning call 1-866-Breville.
- This appliance is for household use only.
- This appliance has a polarized plug (one blade is wider than the other). To reduce the risk of electric shock, this plug is intended to fit into a polarized outlet only one way. If the plug does not fit, contact a qualified electrician. Do not attempt to modify the plug in any way.

### ELECTRIC CORD STATEMENT

Your Juice Fountain has a short cord as a safety precaution to prevent personal injury or property damage resulting from pulling, tripping or becoming entangled with the cord. Do not allow children to be near or use this appliance without close adult supervision. If you must use a longer cordset or an extension cord when using appliance, the cord must be arranged so it will not drape or hang over the edge of a countertop, tabletop or surface area where it can be pulled on by children or tripped over. To prevent electric shock, personal injury or fire, the electrical rating of the extension cord you use must be the same or more than the wattage of the appliance (wattage is marked on underside of appliance).



**Your Breville appliance comes with the unique Assist Plug™ conveniently designed with a finger hole in the power plug, for easy and safe removal from the outlet.**



**EXTRA WIDE FEED CHUTE. DO NOT PLACE HANDS OR FOREIGN OBJECTS DOWN FEED CHUTE. ALWAYS USE THE FOOD PUSHER.**

## SAVE THESE INSTRUCTIONS

## KNOW YOUR BREVILLE JUICE FOUNTAIN

Patented Extra Wide Feed Chute fits whole apples, carrots, tomatoes and peeled oranges. Makes juicing fruit and vegetables easy and fast.

Food Pusher for pushing whole fruit and vegetables down the patented wide Feed Chute.

Safety locking arm – Juicer will not operate without Juicer Cover in place and safety locking arm in place in the vertical operating position.

Stainless Steel Micro Mesh Filter Basket.

Filter Bowl Surround (dishwasher safe).

Juicer Cover (dishwasher safe).

High Performance Motor Base – 600 watt motor.

Large Pulp Container (dishwasher safe).

On/Off switch.

1.1 quart (1 Liter) juice jug with integrated handle for left or right handed use (see page 6).

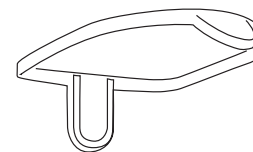
Cord Wraps around feet and clips into position (under base).



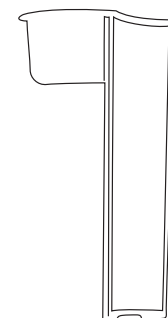
## KNOW YOUR BREVILLE JUICE FOUNTAIN cont'd

### 1.1 QUART (1 LITER) JUICE JUG

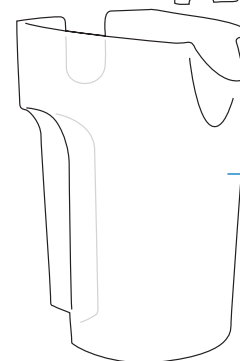
Juice Jug lid. Place lid onto juice jug to store juice in refrigerator.



Frother attachment ensures juice froth is separated from juice when poured into a glass.



1.1 quart (1 liter) dishwasher safe juice jug.



Features the unique Breville Assist Plug™. Easier to insert, easier to remove.



Registered design.



**NOTE!!**

**To have froth in the juice simply remove the frother attachment before juicing.**

## ASSEMBLING YOUR BREVILLE JUICE FOUNTAIN

### Step 1.

Place Filter Bowl Surround on top of the Motor Base.

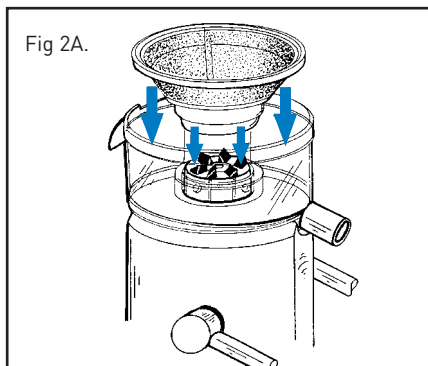


### Step 2.

Sit the Stainless Steel Filter Basket inside the Filter Bowl Surround.

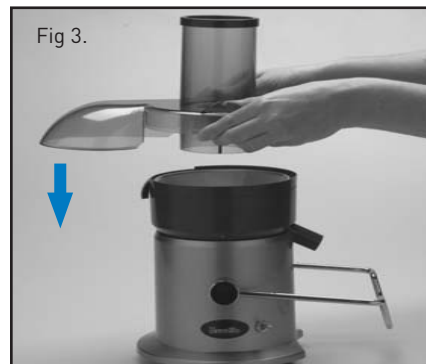


**Before switching the juicer on ensure the stainless steel filter basket is pushed down firmly until it clicks into place.**



### Step 3.

Place the Juicer Cover over the Filter Bowl Surround, positioning the Feed Chute over the Stainless Steel Filter Basket and lower into position.



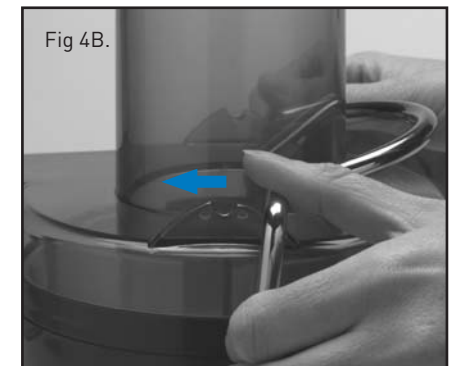
## ASSEMBLING YOUR BREVILLE JUICE FOUNTAIN cont'd

### Step 4.

Raise the Safety Locking Arm up into the vertical operating position. (Please see 4A.)

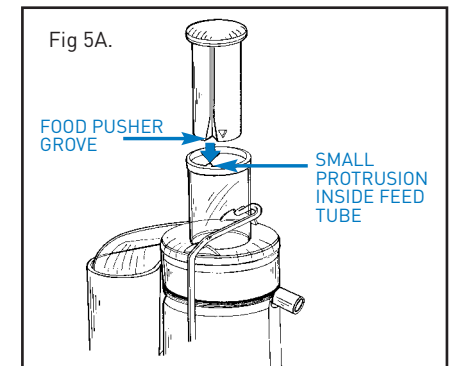


Next locate the Locking Arm into the two grooves on either side of the Juice Cover. (Please see 4B.)



### Step 5.

Slide the Food Pusher down the Feed chute by aligning the groove in the Food Pusher with the small protrusion on the inside of the top of the Feed Tube. (Please see 5A.)



## ASSEMBLING YOUR BREVILLE JUICE FOUNTAIN cont'd

Continue to slide the food pusher down the feed chute. (Please see 5B.)



### Step 6.

Place the Pulp Container into position by tilting the pulp container slightly.

#### Hint:

To minimize washing up we suggest you place a plastic freezer bag (or plastic grocery bag) into the pulp container to collect the pulp. The bag may also prevent pulp from spitting out of the pulp container. (Please see page 11.)



### Step 7.

Place the juice jug provided under the spout on the right hand side of the Juice Fountain.



**A glass could also be used to collect the juice.**

## OPERATING YOUR BREVILLE JUICE FOUNTAIN

### Step 1.

Wash your selection of fruit and vegetables ready for juicing.



**Most fruit and vegetables such as apples, carrots and cucumbers will not need to be cut to size as these will fit into the feed chute whole. When juicing carrots place the tip of the carrot in last.**

### Step 2.

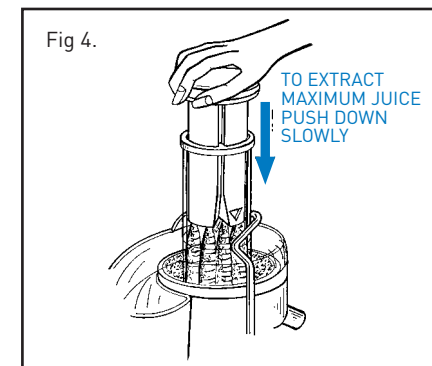
Ensure the Juice Fountain is correctly assembled. (See pages 7, 8 and 9.) Ensure you place the juice jug under the spout while juicing.

### Step 3.

Plug the power cord into a power outlet and turn the power 'ON'. Turn the 'ON/OFF' switch on the Juice Fountain down to the 'ON' position to start the Juicer operating.

### Step 4.

With the motor running place food down the Feed Chute. Using the Food Pusher, gently guide food down the Feed Chute. To extract the maximum amount of juice, always push the Food Pusher down slowly.



### Step 5.

Juice will flow into the juice jug and the separated pulp will accumulate in the Pulp Container.



**The Pulp Container can be emptied during juicing by turning the Juice Fountain 'OFF' and then carefully removing the Pulp Container. (Replace empty Pulp Container before continuing to juice.)**



**NEVER USE FINGERS TO PUSH FOOD DOWN THE FEED CHUTE OR TO CLEAR THE FEED CHUTE. ALWAYS USE THE FOOD PUSHER PROVIDED.**

## OPERATING YOUR BREVILLE JUICE FOUNTAIN cont'd

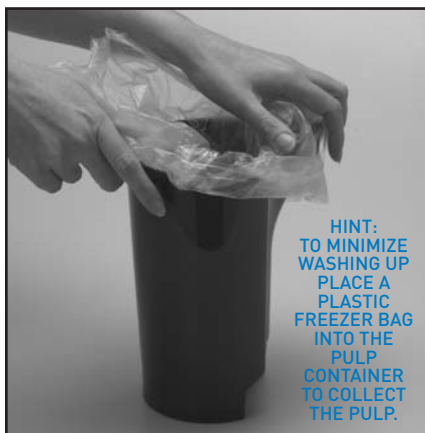
### Hint:

To minimize washing up we suggest you place a plastic freezer bag (or plastic grocery bag) into the Pulp Container to collect the pulp. When the juicing is completed simply place the bag containing the pulp into a bin. The bag may also prevent pulp from spitting out of the pulp container. (Refer to page 19 for ideas on 'Using the pulp'.)



NOTE!!

**Do not allow the Pulp Container to overfill as this may prevent correct operation or damage the unit.**



### Clean up tip:

For easy cleaning immediately after each use rinse Juice Fountain removable parts under running water (to remove wet sticky pulp). Then allow to air dry.

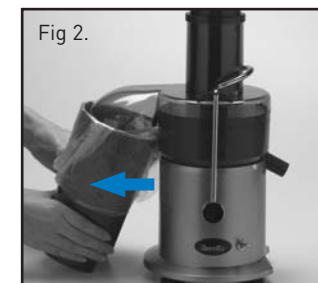
## DISASSEMBLING YOUR BREVILLE JUICE FOUNTAIN

### Step 1.

Turn Juice Fountain Professional 'OFF' at power outlet and unplug.

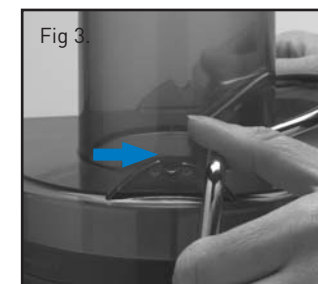
### Step 2.

Remove the Pulp Container by tilting the Container slightly



### Step 3.

Place both hands on either side of the Locking Arm, lift arm upwards slightly and pull back.



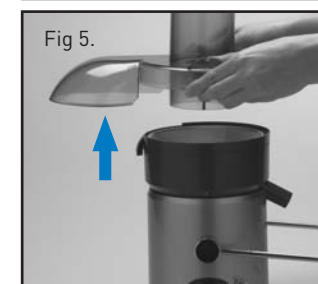
### Step 4.

Move the Locking Arm down.



### Step 5.

Lift off the Cover.



**THE STAINLESS STEEL FILTER BASKET CONTAIN, SMALL SHARP BLADES TO CUT AND PROCESS FRUITS AND VEGETABLES. DO NOT TOUCH BLADES WHEN HANDLING THE FILTER BASKET.**

## DISASSEMBLING YOUR BREVILLE JUICE FOUNTAIN cont'd

### Step 6.

To remove Stainless Steel Filter Basket, hold base of juicer and turn Filter Bowl surround by the juice spout.



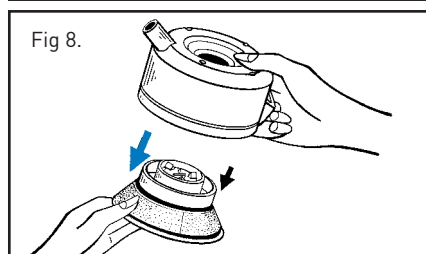
### Step 7.

Lift off the Filter Bowl surround with the Stainless Steel Filter Basket still in place.



### Step 8.

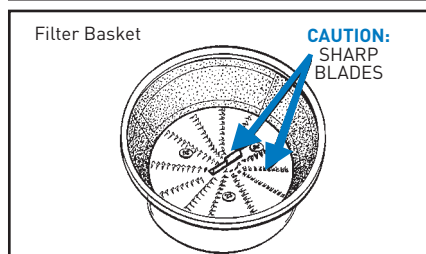
To remove the Stainless Steel Filter Basket, turn the Filter Bowl Surround upside down and carefully remove the Filter Basket. (It is recommended to remove Filter Basket over a sink or bin.)



### THE INSIDE INFORMATION ON JUICE

Although the juice drinks contained in this booklet were developed with flavor, texture and aroma at the forefront, the health benefits certainly add to the pleasurable taste experience. 95% of the nutrient content of fruit and vegetables is found in the juice. Liquids extracted from fresh fruits and vegetables form an important part of a well-balanced healthy diet. Fresh fruit and vegetable juices are an easy to make source of vitamins and minerals. Juices are rapidly absorbed into the blood stream therefore being the quickest way in which the body can digest nutrients.

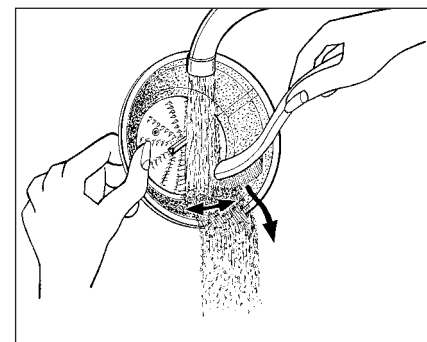
When you make your own juices, you have complete control over what you include in them. You select the ingredients and decide if



you need to use sugar, salt or other flavoring agents. Freshly extracted juices should be drunk just after they have been made to avoid a loss of vitamin content.

## CARE AND CLEANING

- For easy cleaning - immediately after each use rinse removable parts under running water (to remove wet pulp). Allow parts to air dry.
- After disassembling the unit (see page 12) all removable parts may be washed in hot soapy water.
- The Juice Fountain Juice Cover, filter bowl surround, pulp container and 1 liter juice jug are dishwasher safe. (Top shelf only.)
- Wipe the Motor Base with a damp cloth.
- Before washing juice jug, remove froth attachment and rinse under running water. Do not place froth attachment into dishwasher.
- A nylon washing up brush is the most effective when cleaning the Filter Basket. Using a nylon washing up brush, hold the Filter Basket under running water and brush from the inside of the basket out. Always treat the Filter Basket with care as it can be easily damaged.
- Discoloration of the plastic may occur with strongly colored fruit and vegetables. To help prevent this, wash parts immediately after use. If discoloration does occur the plastic parts can be soaked in bleach and water. Use 1 tablespoon (20ml) bleach to 1 quart (1 liter) of water, soak plastic parts for a maximum of 5 minutes, then rinse thoroughly. Do not soak the Filter Basket in bleach.



**DO NOT IMMERSE THE MOTOR BASE IN WATER OR ANY OTHER LIQUID.**



**THE CENTER OF THE FILTER BASKET AND FEED CHUTE CONTAIN SMALL SHARP BLADES TO PROCESS FRUIT AND VEGETABLES DURING THE JUICING FUNCTION. DO NOT TOUCH BLADES WHEN HANDLING THE FILTER BASKET OR FEED CHUTE.**



## CARE AND CLEANING cont'd

### Hint:

To minimize washing up place a freezer bag (or plastic grocery bag) into the Pulp Container to collect the pulp. When Juicing is completed simply place the bag containing the pulp into a bin. [Refer page 19 for 'Ideas on Using the Pulp'.]



**NOTE!!**

To assist with cleaning soak the Stainless Steel Filter Basket in hot soapy water for approx. 10 minutes immediately after juicing is completed. If pulp is left to dry on the filter it may clog the fine pores of the filter mesh thereby lessening the effectiveness of the Juicer.



**NOTE!!**

For your convenience a nylon cleaning brush has been included with your Juice Fountain.

## TROUBLE SHOOTING GUIDE

POSSIBLE PROBLEM	EASY SOLUTION
<b>Machine will not work when switched 'ON'</b>	The Safety Locking Arm is possibly not correctly engaged in the vertical operating position with the locking arm located into the two grooves on either side of the Juice Cover (see picture on page 9, step 4A & 4B).
<b>Motor appears to stall when juicing</b>	Wet pulp can build up under the cover if the juicing action is too vigorous. Try slower juicing action by pushing the Food Pusher down more slowly (refer page 9, step 5).
<b>Excess pulp building up in the Micro Mesh Filter Basket</b>	Stop the juicing process. Remove the Juicer Cover, scrape off pulp. Re-assemble and begin juicing again. Try alternating (soft and hard) vegetable and fruit varieties.
<b>Pulp too wet and insufficient juice</b>	Try a slower juicing action. Remove Mesh Filter Basket and clean mesh walls with a fine brush in a solution of 70% water plus 30% bleach. This will remove excess fiber build up (from fruit or vegetables) which could be inhibiting the juice flow.
<b>Juice leaks between the rim of the Juicer Cover and the Filter</b>	Try a slower juicing action by pushing the Food Pusher down more slowly (refer page 9, step 5). Watermelon is not recommended in the Juice Fountain due to high water content.
<b>Bowl Surround Juice sprays out from spout</b>	Try a slower juicing action by pushing the Food Pusher down more slowly (refer page 10, step 5B).

## TIPS ON JUICING

### THE INSIDE INFORMATION ON JUICE

Although the juice drinks contained in this booklet were developed with flavor, texture and aroma at the forefront, the health benefits certainly add to the pleasurable taste experience.

95% of the nutrient content of fruit and vegetables is found in the juice. Liquids extracted from fresh fruits and vegetables form an important part of a well-balanced healthy diet. Fresh fruit and vegetable juices are an easy to make source of vitamins and minerals. Juices are rapidly absorbed into the blood stream therefore being the quickest way in which the body can digest nutrients.

When you make your own juices, you have complete control over what you include. You select the ingredients and decide if you need to use sugar, salt or other flavoring agents. Freshly extracted juices should be drunk just after they have been made to avoid a loss of vitamin content.

### PURCHASING AND STORAGE OF FRUIT AND VEGETABLES

- Always wash fruit and vegetables before juicing.
- Always use fresh fruit and vegetables for juicing.
- To save money and obtain fresher produce, purchase fruit or vegetables that are in season (see the Fruit and Vegetable Facts chart on pages 21 and 22).
- Due to the high water content found in watermelon, it is not recommended that watermelon be juiced in the Juice Fountain.
- Keep your fruit and vegetables always ready for juicing by washing them before storing.
- Most fruits and hardier type vegetables can be stored at cool room temperature. The more delicate and perishable items such as tomatoes, berries, leafy greens, celery, cucumbers and herbs should be stored in the refrigerator until required.

## TIPS ON JUICING cont'd

### PREPARATION OF FRUIT AND VEGETABLES

- If using fruits with hard or inedible skins such as melons, mango and kiwi fruit always peel before placing in the Juicer. Pineapples only require tops to be removed prior to juicing, not the skin.
- Citrus fruit can be juiced in the Juice Fountain Professional if peeled first.
- All fruits with pits and seeds or stones such as nectarines, peaches, apricots, plums and cherries must be pitted before juicing.
- A small amount of lemon juice can be added to apple juice to prohibit browning.

#### Hint:

Your Juice Fountain Professional makes invigorating, frothy orange juice. Simply peel the oranges and juice. (Best to refrigerate oranges before juicing.)

### THE RIGHT TECHNIQUE

When juicing a variety of different ingredients of varying textures, best results are gained by alternating harder ingredients with softer ones. For example, when juicing two hard vegetables such as carrots and parsnips and a softer type, such as tomatoes, start with the parsnips, then the tomato, finishing with the carrots. By alternating between soft and hard vegetables in this manner, it assists by cleaning the stainless steel filter basket between the vegetables. This enables the Juicer to extract the maximum amount of juice from each vegetable.

If you are using herbs, sprouts or small leafy greens it is a good idea to wrap them in a large lettuce or spinach leaf or place them through the Feed Chute between pieces of firmer vegetable.

All fruit and vegetables produce different amounts of liquids. This varies within the same group i.e. one batch of tomatoes can produce more juice than another batch. Since juice recipes are not exact, and juicing is not a science, the precise quantities of any juice are not crucial to the success of a particular mixture.



**NOTE!!**

**To extract the maximum amount of juice always push the Food Pusher down slowly.**

## TIPS ON JUICING cont'd

### GETTING THE RIGHT BLEND

It is not difficult to create great tasting juice. If you have been making your own vegetable and fruit juices, then you know how simple it is to invent new combinations. Taste, color, texture and ingredient preferences are a personal thing. Just think of some of your favorite flavors and foods. Would they work well together or would they clash? Some strong flavors could over power the more subtle flavors of others. It is however, a good rule of thumb to combine starchy, pulpy ingredients with those high in moisture.

Experiment! Any fruit or vegetable that you enjoy can go into your next drink. You may choose to use one fruit to give a predominant flavor and accent it with a hint of another flavor. The choices are limited only by your imagination.

### USING THE PULP

The remaining pulp left after juicing fruit or vegetables is mostly fiber and cellulose which, like the juice, contains vital nutrients necessary for the daily diet and can be used in many ways. However, like the juice, pulp should be used that day to avoid loss of vitamins.

There are a number of recipes contained in this book for the use of pulp (refer to pages 32 to 35). Apart from these, some of the other uses of pulp are to bulk out rissoles, thicken casseroles or soups or in the case of fruit, simply placed in a bowl topped with meringue and baked for a simple dessert.

Quite apart from the consumption use, pulp is great used in the garden for compost.

## FRUIT AND VEGETABLE FACTS

Fruit and Vegetables	Best Season To Buy	Storage	Nutritional Value	Kilojoule (Calories) Calorie Count
Apples	Autumn/ Winter	Vented plastic bags in refrigerator	High in Dietary Fiber and Vitamin C	200g (7oz) Apple = 300kj (72 cal)
Apricots	Summer	Unwrapped in crisper of refrigerator	High in Dietary Fiber Contains Potassium	30g (1 ounce) Apricot = 85kj (20 cal)
Beet	Winter	Cut off tops, then refrigerate unwrapped	Good source Folate and Dietary Fiber Vitamin C and Potassium	160g (5oz) Beet = 190kj (45 cal)
Blueberries	Summer	Cover in the refrigerator	Vitamin C	125g (4oz) Blueberries = 295kj (70 cal)
Broccoli	Autumn/ Winter	Plastic bag in refrigerator	Vitamins C, Folate, B2, B5, E, B6 and Dietary Fiber	100g (3oz) Broccoli = 195kj (23 cal)
Brussels Sprouts	Autumn/ Winter	Unwrapped in crisper of refrigerator	Vitamins C, B2, B6, E, Folate and Dietary Fiber	100g (3oz) Brussels Sprouts = 110kj (26 cal)
Cabbage	Winter	Wrap, trimmed in the refrigerator	Vitamins C, Folate, Potassium B6 and Dietary Fiber	100g (3oz) Cabbage = 110kj (26 cal)
Carrots	Winter	Uncovered in refrigerator	Vitamins A, C, B6 and Dietary Fiber	120g (4oz) Carrots = 125kj (30 cal)
Cauliflower	Autumn/ Winter	Remove outer leaves, store in plastic bag in refrigerator	Vitamins C, B5, B6 Folate Vitamin K and Potassium	100g (3oz) Cauliflower = 55kj (13 cal)
Celery	Autumn/ Winter	Refrigerate in plastic bag	Vitamin C and Potassium	80g (3oz) stick = 55kj (7 cal)
Cucumber	Summer	Crisper in refrigerator	Vitamin C	280g (10oz) Cucumber = 120kj (29 cal)
Fennel	Winter/ Spring	Crisper in refrigerator	Vitamin C and Dietary Fiber	300g (10oz) Fennel = 145kj (35 cal)
Grapes	Summer	Plastic bag in refrigerator	Vitamins C, B6 and Potassium	125g (4oz) Grapes = 355kj (85 cal)
Kiwi Fruit	Winter/ Spring	Crisper in refrigerator	Vitamin C and Potassium	100g (3oz) Kiwi Fruit = 100kj (40 cal)

## FRUIT AND VEGETABLE FACTS cont'd

Fruit and Vegetables	Best Season To Buy	Storage	Nutritional Value	Kilojoule(Calories) Calorie Count
Mangoes	Summer	Covered in refrigerator	Vitamins A, C, B1, B6 and Potassium	240g (8oz) Mango = 200kj (102 cal)
Melons	Summer/Autumn	Crisper in refrigerator	Vitamin C, Folate Dietary Fiber and Vitamin A	200g (7oz) Melon = 210kj (50 cal)
Nectarines	Summer	Crisper in refrigerator	Vitamin C, B3, Potassium and Dietary Fiber	180g (6½oz) Nectarines = 355kj (85 cal)
Oranges	Winter/Autumn/Spring	Cool, dry place for 1 week, transfer refrigerator keep longer	Vitamin C 35mg/100g	150g (5oz) Orange = 160kj
Peaches	Summer	Refrigerate uncovered	Vitamins C, B3 Potassium and Dietary Fiber	150g (5oz) Peach = 205kj (49 cal)
Pears	Autumn	Refrigerate uncovered	Dietary Fiber	150g (5oz) Pear = 250kj (60 cal)
Pineapples	Summer	Refrigerate uncovered	Vitamin C	150g (5oz) Pineapple = 245kj (59 cal)
Plums	Summer	Refrigerate uncovered	Dietary Fiber	70g (2oz) Plums = 110kj (26 cal)
Raspberries	Summer	Covered in refrigerator	Vitamin C, Iron, Potassium and Magnesium	125g (4oz) Raspberries = 130kj (31 cal)
Tomatoes	Summer	Uncovered in crisper of refrigerator	Vitamin C, Dietary Fiber, Vitamin E, Folate and Vitamin A	100g (3oz) Tomatoes = 90kj (22 cal)

### Hint:

Your Juice Fountain Professional makes invigorating frothy orange juice. Simply peel the oranges and juice. (Best to refrigerate oranges before juicing.)

## RECIPE IDEAS – FRESH STARTS

### APPLE, CARROT AND CELERY JUICE

You may alter the amounts of either the carrots or apple to make the juice sweeter or savory to suit your taste buds:

Makes approximately 2 cups (500ml)

4 small Granny Smith apples

3 medium sized carrots, trimmed

4 sticks celery

1. Process apples, carrots and celery through Juice Fountain. Mix well and serve immediately.

### TOMATO, CARROT, CELERY AND LIME JUICE

Makes approximately 3 cups (750ml)

2 medium tomatoes

1 large carrot, trimmed

2 celery stalks, trimmed

1 lime, peeled

1. Process tomatoes, carrot, celery and lime through the Juice Fountain.

Serve immediately.

### CARROT, BEETROOT AND ORANGE JUICE

Makes approximately 2 cups (500ml)

2 medium carrots, trimmed

3 medium beetroot, trimmed

4 oranges, peeled

1. Process carrots, beetroot and oranges through the Juice Fountain.

Serve immediately.

### APPLE, PEACH AND GRAPEFRUIT JUICE

Makes approximately 2½ cups (625ml)

1 small Red Delicious apple

2 large peaches, halved and pits removed

2 grapefruits, peeled

1. Process apple, peaches and grapefruit through the Juice Fountain.

Serve immediately.

### PINEAPPLE, PEACH AND PEAR JUICE

Makes approximately 3 cups (750ml)

½ small pineapple, peeled and halved

2 peaches, halved and pits removed

2 small ripe pears

1. Process pineapple, peaches and pears through the Juice Fountain.

Serve immediately.

## RECIPES IDEAS – FRESH STARTS cont'd

### APPLE, PEAR AND STRAWBERRY JUICE

Makes approximately 3 cups (750ml)

- 1 small Granny Smith apple
- 3 small ripe pears
- 1 cup strawberries, trimmed

1. Process apple, pears and strawberries through the Juice Fountain.

Serve immediately.

### CANTALOUPE, MINT AND MANGO JUICE

Makes approximately 2½ cups (560ml)

- ½ small cantaloupe, peeled, seeded and halved
- 3 sprigs fresh mint leaves
- 1 mango, halved, seeded and peeled

1. Process cantaloupe, mint and mango through the Juice Fountain.

Serve immediately.

### TOMATO, CUCUMBER, PARSLEY AND CARROT JUICE

Makes approximately 3 cups (750ml)

- 3 medium tomatoes
- 1 large cucumber
- 1 large bunch fresh parsley
- 3 medium carrots, trimmed

1. Process tomatoes, cucumber, parsley and carrots through the Juice Fountain.

Serve immediately.

### SWEET POTATO, CELERY, GINGER AND ORANGE JUICE

Makes approximately 3 cups (750ml)

- 4 sticks celery, trimmed
- 1 large sweet potato, halved
- 2.5cm (1 inch) piece fresh ginger
- 4 oranges, peeled

1. Process celery, sweet potato, ginger and oranges through the Juice Fountain.

Serve immediately.

### PARSNIP, CELERY AND PEAR JUICE

Makes approximately 3 cups (750ml)

- 2 parsnips, trimmed
- 4 sticks celery, trimmed
- 4 medium pears, stalks removed

1. Process parsnips, celery and pears through the Juice Fountain.

Serve immediately.

## VITAMIN REPLACERS

### TOMATO, CARROT AND RED BELL PEPPER JUICE

Makes approximately 3 cups (3 cups; 750ml)

- 2 small red bell peppers
- 3 medium tomatoes
- 3 carrots, trimmed
- 4 sprigs parsley

1. Trim base of peppers and remove seeds.
2. Process tomatoes, carrots, parsley and peppers through the Juice Fountain.

Serve immediately.

### BLACKBERRY, PEAR AND GRAPEFRUIT JUICE

Makes approximately 3 cups (750ml)

- 1 pint basket (250g) blackberries
- 3 ripe pears
- 2 grapefruits, peeled

1. Process blackberries, pears and grapefruit through the Juice Fountain.

Serve immediately.

### BEET, APPLE AND CELERY JUICE

Makes approximately 2 cups (500ml)

- 4 medium sized beets, trimmed
- 2 medium Granny Smith apples
- 4 sticks celery

1. Process beetroot, apples and celery through the Juice Fountain.

Serve immediately.

### BLUEBERRY, BLACKBERRY, STRAWBERRY AND LIME JUICE RECIPE

Makes approximately 3½ cups (875ml)

- 2 pints (500g) blackberries
- 2-pint baskets (500g) blueberries
- 2-pint baskets (500g) strawberries, hulled
- 1 lime, peeled

1. Process blackberries, blueberries, strawberries and lime through the Juice Fountain.

Serve immediately.

### CUCUMBER, CELERY, FENNEL AND BEAN SPROUT JUICE

Makes approximately 3 cups (750ml)

- 1 large cucumber
  - 3 sticks celery
  - 1 bulb fennel, trimmed
  - 2 cups (200g) bean sprouts
1. Process cucumber, celery, fennel and bean sprouts through the Juice Fountain.

Serve immediately.

### FROTHY ORANGE JUICE

Serves 4 / Makes 8-10 cups (2000 – 2500ml)

2½ lbs (1 kg) oranges, peeled

1. Process oranges through the Juice Fountain.

Serve immediately.

(Best to refrigerate oranges before juicing.)

## LIQUID LUNCHES

### FRESH VEGETABLE SOUP WITH NOODLES

Serves 4

1 small tomato  
1 small onion, peeled and trimmed  
2 carrots  
1 green bell pepper, base removed and seeded  
1 tablespoon butter  
1 tablespoon whole wheat flour  
1½ cup (375ml) vegetable stock  
15oz (425g) canned baked beans  
1 packet 2 Minute (Instant) Noodles  
Freshly ground black pepper

1. Process tomato, onion, carrots and green pepper through the Juice Fountain.
2. Melt butter in a large saucepan over a medium heat.
3. Stir in flour, cook for one minute, stirring constantly.
4. Stir in the extracted juice, vegetable stock and baked beans.
5. Bring to a boil, then reduce heat and allow to simmer for 10 minutes.
6. Add noodles, cook for 2 minutes or until noodles are tender.

Pour into 4 soup bowls, sprinkle with black pepper to taste and serve immediately.

### GAZPACHO

Serves 4

4 medium tomatoes  
4 sprigs fresh parsley  
1 large clove garlic, peeled  
1 small onion, peeled and trimmed  
2 carrots  
2 stalks celery  
1 red bell pepper, base removed and seeded  
1 English cucumber  
2 tablespoons (30ml) red wine vinegar  
freshly ground black pepper  
1 cup (150g) crushed ice  
3 tablespoons (45ml) chopped fresh basil

1. Process tomatoes, parsley, garlic, onion, carrots, celery, red bell pepper and cucumber through the Juice Fountain.
  2. Stir in vinegar and black pepper.
  3. Arrange ice in four soup bowls.
- Pour in extracted juice, sprinkle with basil and serve immediately.

### MANGO, CANTALOUPE AND ORANGE YOGURT DRINK

1 mango, halved, peeled and seeded  
½ small cantaloupe, peeled, seeded and cut into two equal portions  
5 oranges, peeled  
3 tablespoons (45ml) plain yogurt

1. Process mango, cantaloupe and oranges through the Juice Fountain.
  2. Pour into a large bowl whisk in yogurt.
- Serve immediately.

## RECIPES

### PASTA WITH PROVENCELE STYLE SAUCE

Serves 4

4 tomatoes  
2 sprigs fresh parsley  
1 stick celery  
2 large cloves garlic  
1 small onion, peeled and trimmed  
1 red bell pepper, base removed and seeded  
1 tablespoon (1 tablespoon; 15ml) tomato paste  
½ cup (125ml) red wine  
2 teaspoons (2 teaspoons; 10ml) dried oregano  
2 cups (500g) cooked pasta  
3 tablespoons (45ml) grated Parmesan cheese

1. Process tomatoes, parsley, celery, garlic, onion and red pepper.
  2. Blend tomato paste with red wine, stir in the extracted juice.
  3. Pour into a saucepan and cook over medium heat for 3-4 minutes.
  4. Add pasta and toss to coat pasta well. Divide mixture between 4 serving bowls.
  5. Sprinkle with oregano and Parmesan cheese.
- Serve immediately.

## RECIPES – ICY COOLERS

### SPARKLING PEAR AND APRICOT COOLER

Serves 4

4 large apricots, halved and seeded

3 large pears

1 cup (250ml) mineral water

1 cup (150g) crushed ice

1. Process apricots and pears through the Juice Fountain.
2. Scoop ice into 4 tall glasses.
3. Divide extracted juice between the glasses.
4. Top with mineral water, stir well to blend.

Serve immediately.

### CANTALOUPE, STRAWBERRY AND PASSION CRUSH

Serves 4

½ cantaloupe, peeled, seeded and divided into 2 equal portions

1 pint basket (250g) strawberries, hulled pulp of 2 passion fruit

1 cup (150g) crushed ice

1. Process cantaloupe and strawberries through the Juice Fountain.
2. Stir in passion fruit pulp.
3. Scoop ice into 4 glasses, pour over juice, mix well to combine.

Serve immediately.

### TROPICAL BLEND

Serves 4

2 mangoes, halved, seeded and peeled

3 kiwi fruit, peeled

½ pineapple, trimmed and divided into

2 equal portions

½ cup (20g) fresh mint leaves

1 cup (150g) crushed ice

1. Process mangoes, kiwi fruit, pineapple and mint through the Juice Fountain.
2. Scoop ice into 4 glasses, pour over juice, mix well to combine.

Serve immediately.

### TOMATO, NECTARINE, PASSION FRUIT AND MINT ICE

Serves 4

6 tomatoes

2 nectarines

½ cup (20g) fresh mint leaves

pulp of 4 passion fruit

1 cup (50g) crushed ice

1. Process tomatoes, nectarines and mint leaves through the Juice Fountain.
2. Stir in passion fruit pulp.
3. Scoop ice into 4 glasses, pour over juice and mix well to combine.

Serve immediately.

## RECIPES – ICY COOLERS cont'd

### CUCUMBER, PINEAPPLE AND CILANTRO ICE

Serves 4

½ pineapple, trimmed and divided into 2 equal portions

2 cucumbers

½ cup (20g) fresh cilantro leaves

1 cup (150g) crushed ice

1. Process pineapple, cucumbers and cilantro through the Juice Fountain.
2. Scoop ice into 4 glasses, pour over juice, mix well to combine.

Serve immediately.

### PEAR, RADISH AND CELERY CRUSH

Serves 4

3 medium pears

4 radishes, trimmed

3 sticks celery

1 cup (150g) crushed ice

1. Process pears, radishes and celery through the Juice Fountain.
2. Scoop ice into 4 glasses, pour over juice, mix well to combine.

Serve immediately.

## SPIRITED JUICES

### COCONUT PINEAPPLE COLADA

Serves 4

- ½ coconut, peeled and halved
- ½ large pineapple, trimmed and halved
- 3 tablespoons (45ml) coconut rum
- 2 cups (500ml) soda water
- 1 cup (150g) crushed ice

1. Process coconut and pineapple through the Juice Fountain.
2. Stir in rum and soda water.
3. Scoop ice into 4 tall glasses, pour over juice mixture, mix well to combine.

Serve immediately.

### HONEYDEW DREAM

Serves 4

- 1 honeydew melon, peeled, seeded and quartered
- 3 tablespoons (45ml) Midori liqueur
- 2 cups (500ml) soda water
- 1 cup (150g) crushed ice

1. Process honeydew melon through the Juice Fountain.
2. Stir in liqueur and soda water.
3. Scoop ice into 4 tall glasses, pour over melon mixture, mix well to combine.

Serve immediately.

### BLOODY MARY

Serves 4

- 4 medium tomatoes
- 2 sticks celery
- 1 large red bell pepper, base removed and seeded
- ½ cup (75ml) vodka
- 1 cup (150g) crushed ice

1. Process tomatoes, celery and red pepper through the Juice Fountain.
2. Stir in vodka. Scoop ice into 4 glasses, pour over tomato mixture, mix well to combine.

Serve immediately.

### PEACH AND MINT JULEP

Serves 4

- 6 peaches, halved and seeded
- ½ cup (20g) fresh mint leaves
- 2 tablespoons (30ml) Crème de Menthe
- 2 teaspoons (10ml) sugar
- ½ cup (75g) crushed ice
- 500ml (500ml) mineral water

1. Process peaches and mint leaves through the Juice Fountain.
2. Stir in Crème de Menthe and sugar.
3. Scoop ice into 4 glasses, pour over peach mixture, mix well to combine.

Serve immediately.

## RECIPES – ENERGY FUEL

### GRAPE, KIWI FRUIT AND BERRY BOOSTER

Grapes contain potassium and iron, providing a great pick-me-up after a strenuous day.

Serves 6

- 3 cups (500g) green seedless grapes, stems removed
- 2 kiwi fruit, peeled
- 1 pint basket (or 1 cup) strawberries, hulled
- 2 cups (500ml) skim milk
- 2 tablespoons (30ml) powdered protein drink mix
- ½ cup (75g) crushed ice

1. Process grapes, kiwi fruit and strawberries through the Juice Fountain.
2. Mix in milk, protein drink mix and crushed ice.

Serve immediately.

### APRICOT, APPLE AND PEAR SPARKLE

Serve 4

- 4 large apricots, halved and seeded
- 4 small red apples
- 3 medium pears
- 1 cup (250ml) sparkling mineral water
- ½ cup (75g) crushed ice

1. Process apricots, apples and pears through the Juice Fountain.
2. Stir in mineral water and ice.

Serve immediately.

### BEET, CARROT AND ORANGE QUENCHER

Serves 4

- 8 carrots
- 2 small beets, trimmed
- ¼ cup (10g) fresh mint leaves
- 4 oranges, peeled

1. Process carrots, beets, mint leaves and oranges through the Juice Fountain.

Serve immediately.

Rather than waste the fiber from the fruit and vegetables that have been juiced, the following recipes have been developed using the left over pulp.



## FIBER FAVORITES

### CARROT, PUMPKIN AND FETA FLAN

Serves 6

8 sheets phyllo pastry  
4 tablespoons (60g) butter, melted  
1 leek, finely sliced  
1 cup (160g) pumpkin pulp  
1 cup carrot pulp  
8oz (250g) feta cheese, crumbled  
3 eggs  
1 egg white  
½ cup (125ml) milk  
2 tablespoons (30ml) orange rind  
3 tablespoons (3 tablespoons; 45ml) chopped fresh parsley

1. Layer the sheets of pastry, brushing between each sheet with butter. Lift pastry into a 10 inch (25cm) flan ring, press over base and side. Trim pastry edge to about ½in (1.5cm; 2cm) higher than side of ring.
2. Combine leek, pumpkin, carrot, feta cheese, eggs, egg white, milk, orange rind and parsley. Pour into pastry case and bake at 350°F (180°C) for 25-30 minutes or until golden and set.

### VEGETABLE AND BACON SOUP

Serves 4

1 tablespoon (15g) butter  
1 onion, finely chopped  
1 ham bone  
3 cups (350g) beet pulp, strained and juice reserved  
½ cup (50g) potato pulp, strained and juice reserved  
½ cup (50g) carrot pulp, strained and juice reserved  
1 cup (100g) tomato pulp, strained and juice reserved  
½ cup (50g) cabbage pulp, strained and juice reserved

Reserved juices and enough water to make up 2 liters (2 quarts)

4 bacon slices, chopped  
1 tablespoon (15ml) lemon juice  
½ cup (110g) sour cream

1. Melt butter in a large saucepan, cook onion over a medium heat for 2-3 minutes or until golden. Add ham bone to pan, stir in beet pulp, potato pulp, carrot pulp, tomato pulp, cabbage pulp, reserved juices and water, bacon and lemon juice. Bring to the boil, reduce heat and simmer for 30-40 minutes.
2. Remove ham bone, discard bone and finely chop meat. Return to the pan.

Serve topped with sour cream.

## RECIPES – FIBER FAVORITES cont'd

### CARROT, APPLE AND CELERY STRUDELS

Makes 8

2 tablespoons (30g) butter  
1 small onion, finely chopped  
4½ cups (500g) carrot, apple and celery pulp, strained  
1 cup (250g) cottage cheese  
2 tablespoons (30ml) chopped fresh mint  
1 egg, beaten  
12 sheets phyllo pastry  
4 tablespoons butter, melted extra  
1 cup grated fresh Parmesan cheese

1. Melt butter in a saucepan, add onion and cook for 2-3 minutes, or until soft, seasoning to taste. Combine onion, carrot, apple and celery pulp, cottage cheese, mint and egg in a bowl. Mix well.
2. Cut phyllo sheets in half, place 3 sheets on bench, cover remaining pastry with parchment or waxed paper, then a damp cloth to prevent drying. Brush 1 sheet of pastry with extra butter, sprinkle with Parmesan cheese, top with another sheet of pastry, brush with butter, sprinkle with more cheese. Repeat with last sheet of pastry.
3. Place 6 tablespoons (6 tablespoons; 40g) of carrot mixture on one end of pastry, fold in sides and roll up. Repeat with remaining pastry and pulp mixture. Place on a greased oven tray and bake at 400°F (200°C) for 20-25 minutes or until golden.

### PARSNIP, HERB AND POLENTA HOT CAKES

Serves 6

2 cups (240g) parsnip pulp, strained  
¼ cup (60ml) milk  
2 eggs, separated  
¼ cup (40g) corn meal  
¼ cup self-rising flour  
1 teaspoon chopped fresh thyme  
1 teaspoon chopped fresh rosemary  
1 teaspoon Cajun seasoning  
1 small red bell pepper, finely chopped  
1 tablespoon (15ml) oil

1. Combine parsnip pulp, milk, egg yolks, self-rising flour, cornmeal, thyme, rosemary, Cajun seasoning and red pepper in a large mixing bowl. Beat egg whites until soft peaks form, fold into parsnip mixture.
  2. Heat oil in a large frying pan, drop spoonfuls of mixture into pan. Cook for about 1 minute on each side or until golden.
- Serve immediately.

## RECIPES – FIBER FAVORITES cont'd

### BERRY AND WHITE CHOCOLATE MOUSSE

Serves 6

8oz (200g) white chocolate

1 cup (200g) strawberry pulp

1 cup (200g) raspberry pulp

1 tablespoon powdered gelatin dissolved in  
3 tablespoons (45ml) hot water

3 egg yolks

1 ½ cup (300ml) heavy cream

¼ cup confectioners' sugar

2 tablespoons (30ml) Grand Marnier

1. Melt chocolate over hot water, cool, being careful not to let it set. Combine strawberry pulp and raspberry pulp, set aside. Combine chocolate, gelatin mixture and egg yolks, whisk until pale and glossy. Beat cream until soft peaks form, fold through chocolate mixture with berry pulp and Grand Marnier. Pour into a 5 cup (1250ml) capacity mold. Refrigerate several hours or overnight.

### CARROT TEA LOAF

1 ½ cups (210g) all-purpose flour

2 teaspoons (10ml) baking powder

½ teaspoon (2ml) nutmeg

½ teaspoon cinnamon

½ teaspoon cardamom

½ cup peanuts, chopped

½ cup golden raisins

½ cup brown sugar, firmly packed

1 ½ cups (180g) carrot pulp

½ cup (125ml) oil

2 eggs, lightly beaten

¼ cup (55g) sour cream

1. Grease and line an 11cm x 21cm (4 in x 8 in) loaf pan. Sift flour and baking powder into a large mixing bowl, add nutmeg, cinnamon, cardamom, peanuts, golden raisins, brown sugar and carrot pulp, stir to combine. Mix eggs, oil and sour cream together. Add to dry ingredients. Beat with electric mixer using medium speed until all ingredients are well blended. Pour into the greased loaf pan.
2. Bake at 350°F (180°C) for 1 hour or until tea loaf is cooked when tested with a skewer. Remove from oven, let stand in loaf pan for 5 minutes before inverting onto a wire rack.

## RECIPES – FIBER FAVORITES cont'd

### FAMILY MEAT LOAF

Serves 6-8

1 lb (500g) lean ground beef

1 lb (500g) bulk sausage

2 onions, finely chopped

½ cup (60g) carrot pulp, strained

½ cup (80g) potato pulp, strained

2 teaspoons curry powder

1 teaspoon ground cumin

1 tablespoon chopped fresh parsley

1 egg, lightly beaten

½ cup (125ml) evaporated milk

½ cup (125ml) beef stock

Freshly ground black pepper

2 tablespoons (30ml) slivered almonds

#### TOMATO GLAZE

½ cup (125ml) beef stock

4 tablespoons (60ml) tomato sauce

1 teaspoon instant coffee powder

3 tablespoons (45ml) Worcestershire sauce

1 ½ tablespoons (20ml) vinegar

1 ½ tablespoons (20ml) lemon juice

3 tablespoons brown sugar

¼ cup (60g) butter

1. Place ground beef, sausage, onions, carrot pulp, potato pulp, curry powder, cumin, parsley, egg, evaporated milk, stock and black pepper in a bowl, mix to combine. Press mixture into a lightly greased 4 in x 8 in (11cm x 21cm) loaf pan. Pour glaze over meatloaf, sprinkle with almonds and bake, basting often with glaze, for 60 minutes or until meat thermometer registers 165°F (74°C).
2. To make glaze, place stock, tomato sauce, coffee powder, Worcestershire sauce, vinegar, lemon juice, sugar and butter in a saucepan and bring to a boil over a medium heat. Reduce heat and simmer, stirring frequently, for 8-10 minutes or until glaze reduces and thickens slightly.

**Breville®**

# Juice Fountain®

Fuente de Jugos Profesional



**MANUAL DE INSTRUCCIONES  
Y RECETARIO**

Modelo JE90J

## CONTENIDO

	Página
Introducción	39
Recomendaciones Básicas de Seguridad	40
Componentes y Características	42
Modo de Empleo	43
Como Armar la Fuente de Jugos	44
Como Desarmar la Fuente de Jugos	49
Cuidado y Limpieza	51
Guía de Problemas y Soluciones	53
Consejos Prácticos	54
Información Alternativa	54
Compra y Almacenamiento de Frutas y Vegetales	55
Preparación de Frutas y Vegetales	55
La Técnica Correcta	56
Una Buena Mezcla	56
Usando la pulpa	56
Datos de Frutas y Vegetales	57
Comienzos Frescos	59
Substitutos de Vitaminas	61
Lonches Líquidos	62
Bebidas Refrescantes	64
Jugos con Alcohol	66
Bebidas Energéticas	67
Fibras Favoritas	68

## Juice Fountain

# Felicitades

En la compra de su producto Nuevo Breville



## RECOMENDACIONES BÁSICAS DE SEGURIDAD

# IMPORTANTES SALVAGUARDIAS

En Breville diseñamos y fabricamos productos para el consumidor, teniendo en mente a nuestros valiosos clientes que son ustedes.

### LEA TODAS LAS INSTRUCCIONES ANTES DE USAR EL EXTRACTOR Y CONSERVELAS PARA REFERENCIAS FUTURAS.



- Siempre utilice este aparato en superficie nivelada.
- No empuje con los dedos. Siempre Utilice el presionador de alimentos.
- No toque las cuchillas en la canasta del filtro de Acero Inoxidable
- No deje la Fuente de Jugos funcionando sin supervisión. En caso que los niños esten cerca de la máquina deberán ser supervisados. Este extractor no debe ser utilizado por niños.
- Asegúrese de que la Fuente de Jugos esté completa antes de usarlo. No funcionará 'on' a menos que esté propiamente armado.
- Siempre utilice la Fuente de Jugos en superficie seca.
- Siempre desconecte la Fuente de Jugos cuando no lo esté usando o lo esté armando.
- Revise periódicamente el cable. Cualquier signo de desgaste o daño no lo use más. Regresolo a su centro de Servicio al Cliente para que lo revisen, reemplacen o reparen.
- No sumerja el cable del enchufe en agua u otros líquidos.
- No permita que el cable cuelgue, se tuerza, o toque superficies calientes.
- No ponga este aparato cerca de una estufa de gas o electrica, o donde toque un horno caliente.
- Siempre apague 'OFF' y quite el cable.
  - si está funcionando sin supervision,
  - antes de limpiar
  - antes de mover de lugar
- Cualquier tipo de mantenimiento o limpieza deberá ejecutarse por un Centro Autorizado de Breville.
- Este aparato es para uso doméstico solamente.



**CONDUCTO EXTRA ANCHO. NO PONGA LAS PANOS NI OBJETOS EN EL CONDUCTO. SIEMPRE UTILICE EL PRESIONADOR DE ALIMENTOS.**

## RECOMENDACIONES BÁSICAS DE SEGURIDAD cont

### DECLARACIÓN SOBRE EL CORDÓN ELÉCTRICO

Su licuadora tiene un cordón (cable) corto como medida de seguridad para evitar lesiones personales o daño a la propiedad, como resultado de tirarlo, tropezar o enredarse con el cordón. No permita que los niños estén cerca o usen este aparato sin supervisión de un adulto. Si debe utilizar un cordón más largo o un alargador cuando usa el aparato, debe ubicar el cordón de manera que no sobresalga fuera del mostrador o cubierta de la mesa o superficie donde los niños puedan tirarlo, o donde una persona pueda inadvertidamente tropezar y caerse. Para prevenir un golpe eléctrico, lesiones personales o incendio, la clasificación eléctrica del cordón que use debe ser igual o más alta que el vataje del aparato (el vataje está marcado en la parte de abajo del aparato).

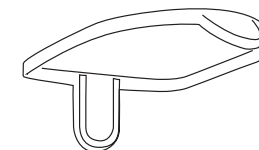
## CONSERVE ESTAS INSTRUCCIONES

## COMPONENTES Y CARACTERISTICAS

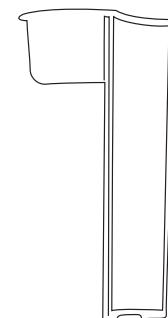


## COMPONENTES Y CARACTERISTICAS cont

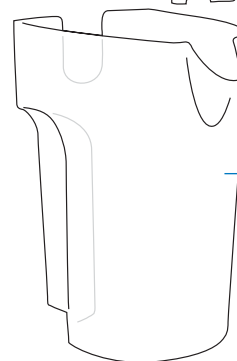
### MODO DE EMPLEO JARRA DE 1 LITRO DE JUGO



Tapadera de la Jarra de Jugo para guardar el jugo en el refrigerador.



Accesorio para la espuma que permite separar la espuma del jugo cuando lo sirva en el vaso.



Jarra de jugo de 1 litro que se puede lavar en el lavaplatos.



¡NOTA!

Para servir espuma en el jugo simplemente remueva el accesorio antes de servir.

Presentando el nuevo enchufé Breville Assist Plug™. Fácil de conectar, fácil para desconectar.



Diseño registrado.

## COMO ARMAR LA FUENTE DE JUGOS

### PASO 1.

Coloque el Filtro de recipiente Redondo en la Base del Motor.



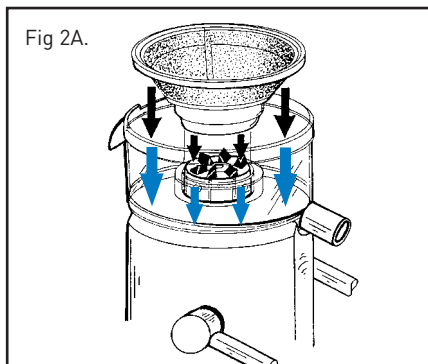
### PASO 2.

Siente la Canasta del Filtro de Acero Inoxidable dentro del Filtro Redondo.



**¡NOTA!**

Antes de conectar la Fuente de Jugos asegúrese de que el filtro de canasta de acero inoxidable se apriete hacia abajo.



### PASO 3.

Coloque la cubierta de la Fuente de Jugos sobre el Filtro Redondo, posicionando el conducto sobre el Filtro de Canasta de Acero Inoxidable y colóque en posición.



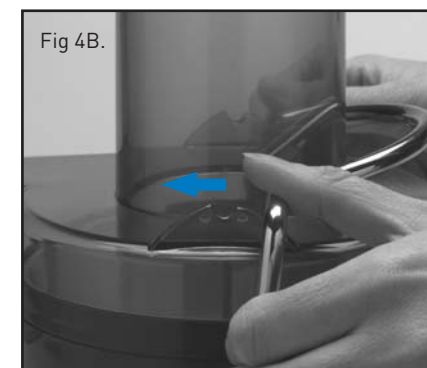
## COMO ARMAR LA FUENTE DE JUGOS cont

### PASO 4

Eleve el Brazo de seguridad en la posición vertical de operación (Vea 4A).

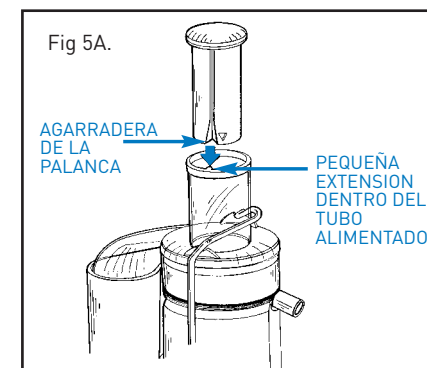


Coloque el Brazo de seguridad en las ranuras de ambos lados de la cubierta.



### PASO 5.

Deslice la palanca hacia abajo del conductor alineando las agarraderas con la pequeña extensión a los lados del tubo alimentador.



## COMO ARMAR LA FUENTE DE JUGOS cont

Continúe deslizando la palanca hacia abajo del conducto (Por favor vea 5B).



### PASO 6.

Coloque el Contenedor de la pulpa en la posición volteando suavemente.

**Consejo:** Para minimizar el lavado le recomendamos colocar una bolsa de plástico (o bolsa del mandado de plástico) en el contenedor para recoger la pulpa. La bolsa previene que la pulpa se esparza fuera del contenedor. (Por favor ver página 11).



### PASO 7.

Coloque la jarra del jugo debajo del tubo del lado derecho del Extractor.



**También puede usar un vaso para recoger el jugo.**

## OPERACIÓN DE SU FUENTE DE JUGO DE BREVILLE

### PASO 1.

Lave la variedad de frutas y vegetales listo para hacer jugo.



**Mucha de la fruta y vegetales como manzanas, zanahorias y pepinos no deberán cortarse en piezas pequeñas ya que caben enteras en el conducto. Cuando haga zanahorias deje la punta hasta el final.**

### PASO 2.

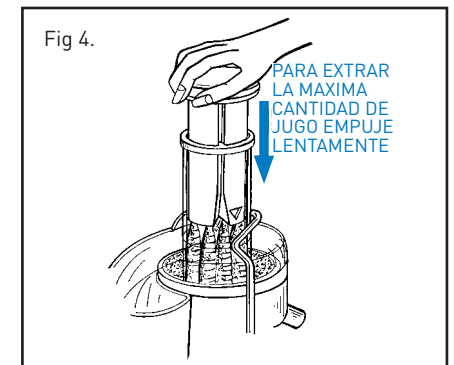
Asegúrese de la Fuente de Jugos esté correctamente armado. (Ver páginas 7, 8, y 9.) Asegúrese de colocar la jarra del jugo debajo del tubo.

### PASO 3.

Conecte el cable de enchufe de 240/240 voltios y encienda 'ON'. El apagador 'ON/OFF' de la Fuente de Jugos hacia abajo 'ON' para que funcione.

### PASO 4.

Con el motor funcionando coloque la comida en el conducto. Usando la palanca, suavemente baje la comida con la palanca. Para obtener la máxima cantidad de jugo, siempre empuje la comida por el conductor lentamente.



### PASO 5.

El jugo fluye a la jarra y separa la pulpa que se acumula en el Contenedor.



**El Contenedor de Pulpa se puede limpiar apagando el extractor 'OFF' y removiendo con cuidado. (Reemplace el Contenedor de Pulpa vacío para seguir exprimiendo).**



**NUNCA USE SUS DEDOS PARA EMPUJAR LA COMIDA AL CONDUCTO O PARA LIMPIAR EL CONDUCTO. SIEMPRE USE EL PRESIONADOR DE ALIMENTOS QUE SE INCLUYE.**



## OPERACIÓN DE SU FUENTE DE JUGO DE BREVILLE cont

### Sugerencia:

Para minimizar el lavado le recomendamos colocar una bolsa de plástico (o bolsa de mandado de plástico) en el contenedor para recoger la pulpa. La bolsa previene que la pulpa se esparza fuera del contenedor. [para más ideas en como usar la página 19 en "Como usar la Pulpa].



**No permita que la Pulpa llene el Contenedor ya que puede dañar la unidad.**



### Étape 7.

Placez la cruche à jus fournie sous le bec du côté droit du Juice Fountain.

### Consejo de limpieza:

Para una limpieza rápida después de cada uso, enjuague las partes removibles debajo del agua (se remueve la pulpa pegajosa). Deje secar.

## COMO DESARMAR LA FUENTE DE JUGOS

### PASO 1.

Apague el Extractor 'OFF' y desconecte.

### PASO 2.

Remueva el contenedor de la pulpa moviendo un poco.

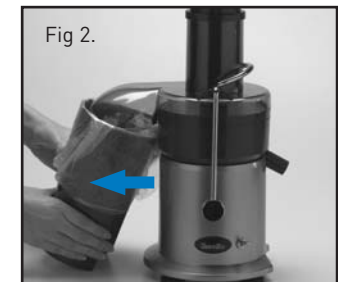


Fig 2.

### PASO 3.

Ponga las 2 manos en el Brazo de Seguridad, levante lentamente y jale.

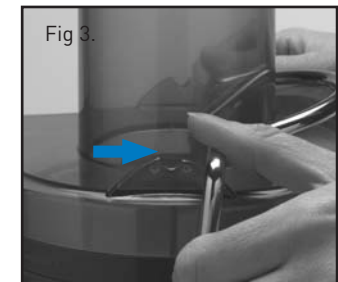


Fig 3.

### PASO 4.

Mueva el Brazo de seguridad para abajo.



Fig 4.

### PASO 5.

Levante la cubierta.

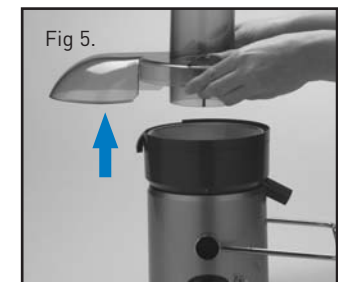


Fig 5.

## COMO DESARMAR LA FUENTE DE JUGOS cont

### PASO 6.

Para quitar el Filtro de Canasta de Acero Inoxidable, detenga la base del extractor y de Vuelta al Filtro redondo.



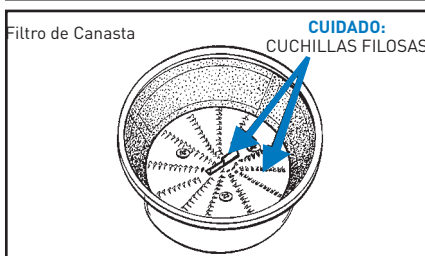
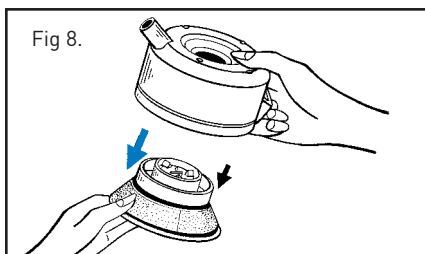
### PASO 7.

Levante juntos el Filtro Redondo con el Filtro de Acero Inoxidable.



### PASO 8.

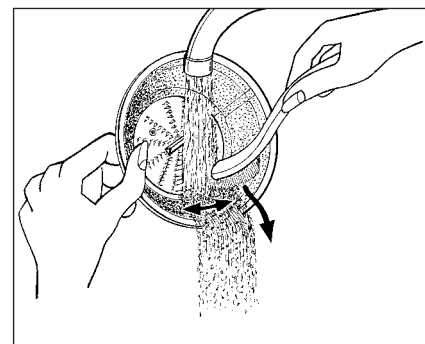
Para quitar la Canasta del Filtro de Acero Inoxidable, de vuelta al Filtro hacia abajo y cuidadosamente quite el Filtro. (Es recomendable que remueva el Filtro en un fregador).



**EL FILTRO DE CANASTA DE ACERO INOXIDABLE, CONTIENE CUCHILLAS AFILADAS QUE CORTAN LAS FRUTAS Y VEGETALES. NO TOQUE LAS CUCHILLAS CUANDO TOME EL FILTRO.**

## CUIDADO Y LIMPIEZA

- Para una limpieza rápida - después de cada uso, enjuague las partes removibles debajo del agua (se remueve la pulpa pegajosa). Deje secar.
- Después de desarmar la unidad (ver página 12).
- Todas las partes removibles pueden lavarse con agua caliente jabonosa.
- La Cubierta de al Fuente de Jugos, el filtro, el contenedor de la pulpa y la jarra de jugo se pueden lavar en la lavadora. (Sólo en la parrilla de arriba).
- Limpie la Base del Motor con una toalla húmeda.
- Antes de lavar la jarra del jugo, remueva el accesorio de la espuma y enjuague bajo el agua. No lave el accesorio de la espuma en la lavadora de trastes.
- Un cepillo de nylon es la manera más efectiva de limpiar la Canasta del Filtro, detenga el Filtro debajo del agua y cepille de adentro para afuera. Siempre trate el Filtro con cuidado ya que se puede dañar.
- Decoloración de plástico puede ocurrir con frutas y vegetales de color fuerte. Para prevenir, lave las partes después de cada uso.
- Si la decoloración sucede en las partes de plástico se pueden remojar en blanqueador con agua, por un máximo de 5 minutos, enjuague completamente.
- No remoje el Filtro en blanqueador.



**NO SUMERJA LA BASE DEL MOTOR EN AGUA O CUALQUIER OTRO LÍQUIDO.**



**EL CENTRO DEL FILTRO DE LA CANASTA Y EL CONDUCTO CONTIENE PEQUEÑAS CUCHILLAS PARA PROCESAR VEGETALES Y FRUTAS, NO TOQUE LAS CUCHILLAS CUANDO ESTÉ USANDO EL FILTRO O EL CONDUCTO.**

## CUIDADO Y LIMPIEZA cont

### Consejo:

Para minimizar el lavado le recomendamos colocar una bolsa de plástico para recoger la pulpa o (una bolsa de plástico del supermercado) Cuando termine simplemente recoja la bolsa (Para ideas de como usar la pulpa ver página 19).



¡NOTA!

Para remojar el Filtro de Acero Inoxidable en agua jabonosa y caliente por 10 minutos aproximadamente después de usarlo. Si la pulpa se queda en el filtro, causará que el filtro se tape y no tendrá la misma efectividad.



¡NOTA!

Para su conveniencia limpie con un cepillo de nylon que se incluye en la Fuente de Jugos.

## GUIA DE PROBLEMAS Y SOLUCIONES

Problema	Posible solución fácil
<b>La máquina no funciona cuando se conecta en la posición "ON".</b>	El brazo de cierre de seguridad posiblemente no está correctamente situado en la posición vertical de operación. Sitúe el brazo de cierre entre las dos ranuras en cada lado de la cubierta de la máquina (vea la figura en la página 6, pasos 4A y 4B).
<b>Parece que el motor se va a parar cuando se está exprimiendo.</b>	La pulpa mojada se puede acumular bajo la cubierta si la acción de exprimir es demasiado vigorosa. Intente exprimir más despacio Empuje hacia abajo con el presionador de alimentos más despacio (refiérase a la página 8 paso 4).
<b>Se acumula demasiada pulpa en la cesta de filtro con micro malla.</b>	Detenga el proceso de exprimido. Remueva la cubierta de la máquina y saque la pulpa. Vuelva a ensamblar y comience a exprimir de nuevo. Intente alternar entre variedades de vegetales y frutas (blandas y duras).
<b>La pulpa está demasiado mojada y no hay suficiente jugo.</b>	Intente exprimir más despacio. Saque la cesta con el filtro de malla y limpie las paredes de la malla con un cepillo fino en una mezcla de 70% de agua más 30% de cloro. Esto sacará el exceso de fibra de fruta o de vegetales que se haya acumulado y que puede estar impidiendo que el jugo fluya.
<b>El jugo gotea entre el borde cubierta de la máquina y el filtro.</b>	Intente exprimir más despacio. Empuje con el presionador de alimentos más despacio (refiérase a la página 8 paso 4). No se recomienda exprimir sandía en la Fuente de jugos debido a su alto contenido en agua.
<b>El tazón alrededor del jugo salpica.</b>	Intente exprimir más despacio, empujando el presionador de alimentos más despacio (refiérase a la página 8, paso 4).

## INFORMACION ALTERNA

Aunque las bebidas de jugo en este folleto se desarrollaron pensando en el sabor, la textura y el aroma, los beneficios para la salud ciertamente son un valor añadido a la experiencia de un sabor agradable.

El 95% del contenido en nutrientes de la fruta y los vegetales se encuentran en el jugo. Los líquidos extraídos de las frituras frescas y los vegetales forman una parte importante de una dieta balanceada. La fruta fresca y los jugos vegetales son una fuente fácil de vitaminas y minerales. Los jugos se absorben rápidamente en la corriente sanguínea y por tanto son la forma más rápida en la que el cuerpo puede digerir nutrientes.

Cuando usted hace sus propios jugos, usted tiene un control completo sobre lo que quiere incluir en ellos. Usted selecciona los ingredientes y decide si necesita usar azúcar, sal o cualquier otro sabor. Los jugos frescos recién extraídos deben beberse justo después de que se han hecho, para evitar la pérdida de contenido en vitaminas.

## COMPRA Y ALMACENAMIENTO DE FRUTAS Y VEGETALES

- Lave siempre la fruta y los vegetales antes de exprimir el jugo.
- Use siempre frutas y vegetales frescos para sacar el jugo.
- Para ahorrar dinero y obtener un producto más fresco, compre frutas y vegetales de temporada (vea la tabla de información sobre fruta y vegetales en las páginas 14 y 15).
- Debido al alto contenido en el jugo que tiene la sandía no es recomendable exprimirla en la Fuente de jugos.
- Mantenga sus frutas y vegetales siempre listos para exprimir y lávelos antes de almacenarlos.
- La mayoría de las frutas y vegetales de tipo duro se pueden almacenar a temperatura ambiente fresca. Los más delicados y perecederos como tomates, bayas, vegetales de hoja verde, apio, pepinos y hierbas, deben almacenarse en el refrigerador hasta que se vayan a usar.

## CONSEJOS PRÁCTICOS

### PREPARACIÓN DE FRUTAS Y VEGETALES

- Si está usando frutas con cascavas duras o no comestibles como melones, mango y kiwi, quite cascava la antes de ponerlas en la máquina. Las piñas solo requieren que se les quite la parte de arriba antes de exprimirlas, no la cascara.
- Los cítricos se pueden exprimir en la Fuente Profesional de Jugos si se pelan primero.
- Todas las frutas con hueso y semillas como las nectarinas, duraznos, albaricoques, ciruelas y cerezas, deben exprimirse después de haberse limpiado.
- Se puede añadir una pequeña cantidad de jugo de limón al jugo de manzana para evitar que se oxiden.

#### Consejo:

Su Fuente de jugos profesional hace un jugo de naranjas vigoroso y espumoso. Simplemente pele las naranjas y exprima (es mejor refrigerar las naranjas antes de exprimirlas).

### LA TÉCNICA CORRECTA

Cuando este exprimiendo una variedad de ingredientes de diferentes texturas, obtendrá mejores resultados alternando los ingredientes duros con los blandos. Por ejemplo si está haciendo jugo con dos vegetales duros como las zanahorias y pastinacas y un tipo más blando como los tomates, comience con la pastinaca, luego los tomates y acabe con la zanahoria. Alternando entre los vegetales duros y blandos, ayuda a que se limpie el filtro de acero inoxidable entre los vegetales. Esto permite que la máquina extraiga la máxima cantidad de jugo de cada vegetal.

Si está usando hierbas, germinados o vegetales verdes pequeños, es una buena idea envolverlos en una hoja grande de lechuga o de espinaca y pasarlos a través del conducto entre trozos de vegetales más firmes.

Todas las frutas y vegetales producen diferentes cantidades de líquidos. Esto varía dentro del mismo grupo, por ejemplo un grupo de tomates puede producir más jugo que otro. Debido a que las recetas de jugos no son exactas y exprimir no es una ciencia, las cantidades exactas de cualquier jugo no son cruciales para el éxito de una mezcla en particular. Para extraer la máxima cantidad de jugo, empuje despacio siempre el presionador de alimentos.



**¡NOTA!**

**Para extraer la máxima cantidad de jugo, empuje despacio siempre el presionador de alimentos.**

## CONSEJOS PRACTICOS cont

### CÓMO OBTENER LA MEZCLA ADECUADA

No es difícil obtener una receta con gran sabor. Si usted ha estado haciendo sus propios jugos vegetales y de frutas, entonces usted sabe lo simple que es inventar nuevas combinaciones. El sabor, color, textura y preferencias de ingredientes son algo personal. Simplemente piense en algunos de sus sabores y comidas favoritas. ¿Combinarán juntos o no? Algunos sabores fuertes se sentirán más que los sabores más sutiles. Sin embargo, es una buena regla combinar ingredientes con alimentos de pulpa, con aquellos que tienen mucha humedad.

¡Experimente! Cualquier fruta o vegetal que a usted le guste puede formar parte de su siguiente bebida. Usted puede usar una fruta para dar un sabor predominante y acentuado con otro sabor. Las opciones sólo se limitan a su imaginación.

### CÓMO USAR LA PULPA

La pulpa que queda después de exprimir frutas o vegetales, es en su mayoría fibrosa y con celulosa, y al igual que el jugo, contiene nutrientes vitales para una dieta diaria que se pueden usar en muchas formas diferentes. Sin embargo, al igual que el jugo, la pulpa debe usarse ese día para evitar la pérdida de vitaminas.

Hay una serie de recetas contenidas en este libro para el uso de pulpa (refiérase a la página 22 y 23). Aparte de estos, algunos de los otros usos de la pulpa son para darle volumen a moldes de carne y vegetales, espesar cacerolas o sopas, o en el caso de las frutas, simplemente situadas en un tazón, cubiertas con merengue y horneadas para obtener un postre simple. Aparte del uso para como alimento, la pulpa es excelente como abono para el jardín

## DATOS DE FRUTAS Y VEGETALES

Frutas y Vegetales	La Mejor Temporada para Comprar	Almacenamiento	Valor Nutricional	Calorías
Manzanas	Otoño/ Invierno	Bolsas de plástico en el refrigerador	Fibra Alta y Vitamina C	200grams la Manzana =300kj(72 calorías)
Chabacanos	Verano	Sin tapar en el cajón crujiente del refrigerador	Fibra Alta Contiene Potasio	30g Chabacano =85kj (20 calorías)
Raíz de Betabel	Invierno	Quite las raíces, guarde sin tapar en el refrigerador	Buena fuente de Fosfato y Fibra Vitamina C y Potasio	160g Raíz de Betabel =190kj (45 calorías)
Arándanos	Verano	Cubra en el refrigerador	Vitamina C	125 grms de Arándanos =295kj(70 calorías)
Brocolí	Otoño/ Invierno	En bolsa de plástico en el refrigerador	Vitamina C Fosfato, B2, B5, E, B6 y Fibra	100grms de Brocolí =110kj(26 calorías)
Col de Bruselas	Otoño/ Invierno	Sin tapar en el cajón crujiente del refrigerador	Vitamina C Fosfato, B2, B5, E, B6 y Fibra	100grms de Col de Bruselas =110kj(26 calorías)
Repollo	Invierno	Guarde, en trozos en el refrigerador	Vitamina C Fosfato, Potasio y Fibra	100grms de Repollo =110kj(26 calorías)
Zanahorias	Invierno	Sin tapar en el refrigerador	Vitamina A, C, B6 y Fibra	120 grms de zanahoria =125kj (30 calorías)
Coliflor	Otoño/ Invierno	Quite las hojas, y guarde en una bolsa de plástico en el refrigerador	Vitamina C, B5, B6 Fosfato, Vitamina K y Potasio	100grms de Coliflor =55kj(13 calorías)
Apío	Otoño/ Invierno	Refrigere en bolsa de plástico	Vitamina C y Potasio	80 grms de tallos =55kj (7 calorías)
Pepino	Verano	Crujiente en el refrigerador	Vitamina C	280 grms de Pepino =120kj(29 calorías)
Cañaheja	Invierno/ Primavera	Crujiente en el refrigerador	Vitamina C y Fibra Alta	300 grms de Cañaheja =145kj(35 calorías)
Uvas	Verano	Bolsa de plástico en el refrigerador	Vitamina C, B6 y Potasio	125 grms de Uva =355kj (85 calorías)
Kiwi	Invierno	Crujiente en el refrigerador	Vitamina C y Potasio	100 grms de Kiwi =100kj (40 calorías)

## DATOS DE FRUTAS Y VEGETALES cont

Frutas y Vegetales	La Mejor Temporada para Comprar	Almacenamiento	Valor Nutricional	Calorías
Mangos	Verano	Cubiertos en el refrigerador	Vitamina A, C, B1, B6 y Potasio	240 grms de Mango =200kj (102 calorías)
Melones	Verano/Otoño/	Crujiente en el refrigerador	Vitamina C, Follaje, Fibra y Vitamina A	200 grms de Melon =210kj(50 calorías)
Nectarinas	Verano	Crujiente en el refrigerador	Vitamina C B3, Potasio y Fibra	180 grms de Nectarina =355kj (85 calorías)
Naranjas	Verano/Otoño/Primavera	Fría, en un lugar seco por 1 semana después guarde en el refrigerador	Vitamina C 35mgrs/100grms	150 grms de Naranja =160kj
Duraznos	Verano	Refrigere sin tapar	Vitamina C B3 Potasio y Fibra	150 grms de Durazno =205kj (49 calorías)
Peras	Otoño	Refrigere sin tapar	Fibra	150 grms de Pera =250kj (59 calorías)
Piñas	Verano	Guarde en el refrigerador sin tapar	Fibra	150 grms de Piña =245kj (59 calorías)
Ciruelas	Verano	Sin tapar en el refrigerador	Fibra	70 grms de Ciruelas =110kj (26 calorías)
Frambuesas	Verano refrigerador	Cubiertas en el Potasio y Magnesio	Vitamina C, Hierro, =130kj (31 calorías)	125 grms de Frambuesas
Tomates	Verano	Sin tapar en el cajón de crujiente del refrigerador	Vitamina C Fibra Vitamina E, Fosfato y Vitamina A	100 grms de Tomates =90kj (22 calorías)

### Consejo:

Su Fuente de Jugos hace jugos de naranja con espuma. Simplemente pele las naranjas y haga el jugo. (Siempre refrigere las naranjas antes de harcelas jugo)

## COMIENZOS FRESCOS

### JUGO DE MANZANA, ZANAHORIA Y APIO

Puede alterar las cantidades de zanahorias o manzanas para hacer que el jugo sea más dulce o más ácido, dependiendo de su gusto  
Salen aproximadamente 2 tazas (500 ml)  
4 manzanas pequeñas Granny Smith  
3 zanahorias medianas, cortadas  
4 tallos de apio

1. Procese las manzanas, zanahorias y apio con la Fuente de jugos.

Mezcle bien y sirva inmediatamente.

### JUGO DE TOMATE, ZANAHORIA, APIO Y LIMA

Salen aproximadamente 3 tazas (750 ml)  
2 tomates medianos  
1 zanahoria grande, cortada  
2 tallos de apio, cortados  
1 lima, sin cascara

1. Procese los tomates, zanahoria, apio y lima con la Fuente de jugos.

Sirva inmediatamente.

### JUGO DE ZANAHORIA, BETABEL (REMOLACHA) Y NARANJA

Salen aproximadamente 2 tazas (500 ml)  
2 zanahorias medianas, cortadas  
3 betabel (remolacha) medianos, cortados  
4 naranjas, peladas

1. Procese las zanahorias, betabel (remolacha) y naranjas con la Fuente de jugos.

Sirva inmediatamente.

### JUGO DE MANZANA, DURAZNO Y TORONJA

Salen aproximadamente 2 ½ tazas (625 ml)  
1 manzana pequeña Red Delicious  
2 duraznos grandes, partido por la mitad y sin el hueso  
2 toronjas, peladas

1. Procese la manzana, duraznos y toronja con la Fuente de jugos.

Sirva inmediatamente.

### JUGO DE PIÑA, DURAZNO Y PERA

Salen aproximadamente 3 tazas (750 ml)  
½ piña pequeña, partida y cortada por la mitad

2 duraznos, partidos por la mitad y sin hueso  
2 peras pequeñas maduras

1. Procese la piña, duraznos y peras con la Fuente de jugos.

Sirva inmediatamente.

## COMIENZOS FRESCOS cont

### JUGO DE MANZANA, PERA Y FRESA

Salen aproximadamente 3 tazas (750 ml)

- 1 manzana pequeña Granny Smith
- 3 peras pequeñas maduras
- 1 taza de fresas, cortada

1. Procese la manzana, peras y fresas con la Fuente de jugos.

Sirva inmediatamente.

### JUGO DE MELÓN, MENTA Y MANGO

Salen aproximadamente 2 ¼ tazas (560 ml)

- ½ melón pequeño, pelado, sin semillas y partido por la mitad
- 3 ramitos de hojas de menta frescas
- 1 mango, partido por la mitad, sin semillas y cascara sin hueso

1. Procese el melón, la menta y el mango con la Fuente de jugos.

Sirva inmediatamente

### JUGO DE TOMATE, PEPINO, PEREJIL Y ZANAHORIA

Salen aproximadamente 3 tazas (750 ml)

- 3 tomates medianos
- 1 pepino grande
- 1 ramo grande de perejil fresco
- 3 zanahorias medianas, cortadas

1. Procese los tomates, pepino, perejil y zanahorias con la Fuente de jugos.

Sirva inmediatamente.

### JUGO DE PAPA DULCE, APIO, JENGIBRE Y NARANJA

Salen aproximadamente 3 tazas (750 ml)

- 4 tallos de apio, cortados
- 1 papa dulce grande, cortada por la mitad
- 1 trozo de 2.5 cm (1 pulg; 2.5 cm) de jengibre fresco
- 4 naranjas, peladas

1. Procese el apio, papa dulce, jengibre y naranjas con la Fuente de jugos.

Sirva inmediatamente.

### JUGO DE PASTINACA, APIO Y PERA

Salen aproximadamente 3 tazas (750 ml)

- 2 pastinacas, cortadas
- 4 tallos de apio, cortados
- 4 peras medianas, sin los tallos

1. Procese las pastinacas, apio y peras con la Fuente de jugos.

Sirva inmediatamente.

## SUBSTITUTOS DE VITAMINAS

### JUGO DE TOMATE, ZANAHORIA Y PIMIENTO ROJO

Salen aproximadamente 3 tazas (750 ml)

- 2 pimientos rojos pequeños
- 3 tomates medianos
- 3 zanahorias, cortadas
- 4 ramitos de perejil

1. Corte la base de los pimientos y saque las semillas.

2. Procese los tomates, zanahorias, perejil y pimientos con la Fuente de jugos.

Sirva inmediatamente.

### JUGO DE MORA, PERA Y TORONJA

Salen aproximadamente 3 tazas (750 ml)

- 1 cesta de pinta (250 g) de moras
- 3 peras maduras
- 2 toronjas, peladas

1. Procese las moras, peras y toronjas con la Fuente de jugos.

Sirva inmediatamente.

### JUGO DE ARÁNDANO, MORA, FRESA Y LIMA

Salen aproximadamente 3 ½ tazas (875 ml)

- 2 cestas de pinta (500 g) de moras
- 2 cestas de pinta (500 g) de arándanos
- 2 cestas de pinta (500 g) de fresas, vaciadas
- 1 lima, sin cascara

1. Procese las moras, arándanos, fresas y lima con la Fuente de jugos.

Sirva inmediatamente.

### JUGO DE PEPINO, APIO, ANÍS Y GERMINADO DE FRIJOL

Salen aproximadamente 3 tazas (750 ml)

- 1 pepino grande
- 3 tallos de apio
- 1 bulbo de anís, cortado
- 2 tazas (2 tazas; 200 g) de brotes de frijol

1. Procese el pepino, apio, anís y germinados con la Fuente de jugos.

Sirva inmediatamente.

### JUGO DE BETABEL (REMOLACHA), MANZANA Y APIO

Salen aproximadamente 2 tazas (500 ml)

- 4 betabeles (remolacha) de tamaño mediano, cortados
- 2 manzanas Granny Smith medianas
- 4 tallos de apio

1. Procese el betabel (remolacha), manzanas y apio con la Fuente de jugos.

Sirva inmediatamente.

### JUGO DE NARANJA ESPUMOSO

Para 4 personas/salen 8-10 tazas (2000 – 2500 ml)

- 2 lbs (1 kg) de naranjas, peladas

1. Procese las naranjas con la Fuente de jugos.

Sirva inmediatamente.

{Es mejor refrigerar las naranjas antes de exprimirlas}

## ALMUERZOS LÍQUIDOS

### SOPA DE VEGETALES FRESCOS CON FIDEOS

Para 4 personas

- 1 tomate pequeño
- 1 cebolla pequeña, pelada y cortada
- 2 zanahorias
- 1 pimiento verde, sin la base y sin las semillas
- 1 cucharada de mantequilla
- 1 cucharada de harina integral
- 1 taza (375 ml) de caldo vegetal
- 15 oz (425 g) de frijoles horneados en lata
- 1 paquete de fideos instantáneos en 2 minutos

Pimienta negra fresca molida

1. Procese el tomate, cebolla, zanahorias y pimiento verde con la Fuente de jugos.
2. Derrita la mantequilla en una sartén a fuego medio.
3. Añada la harina, cocine durante un minuto, removiendo constantemente
4. Añada el jugo, caldo vegetal y frijoles horneados.
5. Espere a que hierva y después reduzca el calor. Deje hervir a fuego lento durante 10 minutos.
6. Añada los fideos, cueza sólo por 2 minutos o hasta que los fideos estén tiernos.

Vierta en 4 tazones para sopa, espolvoree con pimienta negra al gusto y sirva inmediatamente.

### GAZPACHO

Para 4 personas

- 4 tomates medianos
- 4 ramitos de perejil fresco
- 1 diente de ajo grande, pelado
- 1 cebolla pequeña, pelada y cortada
- 2 zanahorias
- 2 tallos de apio
- 1 pimiento rojo, sin la base y sin semillas
- 1 pepino inglés
- 2 cucharadas (30 ml) de vinagre de vino rojo
- Pimienta negra fresca molida
- 1 taza (150 g) de hielo triturado
- 3 cucharadas (45 ml) de albahaca fresca triturada

1. Procese los tomates, perejil, ajo, cebolla, zanahorias, apio, pimiento rojo y pepino con la Fuente de jugos.
2. Añada vinagre y pimienta negra.
3. Sitúe el hielo en cuatro tazones para sopa.

Vierta el jugo extraído, espolvoree con albahaca y sirva inmediatamente.

### BEBIDA DE YOGURT DE MANGO, MELÓN Y NARANJA

- 1 mango, partido por la mitad, pelado y sin hueso
- ½ melón, pelado, sin semillas y cortado en dos porciones iguales
- 5 naranjas, peladas
- 3 cucharadas (45 ml) de yogurt natural

1. Procese el mango, melón cantaloupe y naranjas con la Fuente de jugos.
2. Vierta en un tazón grande, añada el yogurt. Sirva inmediatamente.

## ALMUERZOS LÍQUIDOS cont

### PASTA CON SALSAS ESTILO PROVENZAL

Para 4 personas

- 4 tomates
- 2 ramitos de perejil fresco
- 1 tallo de apio
- 2 dientes grandes de ajo
- 1 cebolla pequeña, pelada y cortada
- 1 pimiento rojo, sin la base y sin semillas
- 1 cucharada (15 ml) de pasta de tomate
- ½ taza (125 ml) de vino rojo
- 2 cucharaditas (10 ml) orégano seco
- 2 tazas (500 g) de pasta cocinada
- 3 cucharadas (3 cucharadas; 45 ml) de queso parmesano rallado

1. Procese los tomates, perejil, apio, ajo, cebolla y pimiento rojo.
2. Mezcle la pasta de tomate con el vino rojo, añada el jugo extraído.
3. Vierta en una sartén y cocine a fuego medio durante 3-4 minutos.
4. Añada la pasta y mezcle para cubrir bien. Divida la mezcla entre 4 tazones para servir.
5. Espolvoree con orégano y queso parmesano. Sirva inmediatamente.



## BEBIDAS REFRESCANTES

### BEBIDACHISPEANTE DE PERA Y CHABACANO (ALBARICOQUE)

Para 4 personas

4 chabacanos (albaricoques) grandes,  
partidos por la mitad y sin hueso

3 peras grandes

1 taza (250 ml) de agua mineral

1 taza (150 g) de hielo triturado

1. Procese los chabacanos (albaricoques) y peras con la Fuente de jugos.
2. Ponga hielo en 4 vasos altos.
3. Divida el jugo extraído entre los vasos
4. Ponga agua mineral y remueva bien para mezclar.

Sirva inmediatamente.

### TRITURADO DE MELÓN, FRESA Y FRUTA DE LA PASIÓN

Para 4 personas

½ melón, pelado, sin semillas y dividido en 2  
porciones iguales

1 cesta de pinta (250 g) de fresas

La pulpa de 2 frutas de la pasión

1 taza (150 g) de hielo triturado

1. Procese el melón cantaloupe y fresas con la Fuente de jugos.
2. Añada la pulpa de la fruta de la pasión.
3. Ponga hielo en 4 vasos, vierta sobre el jugo, mezcle bien para combinar.

Sirva inmediatamente.

### MEZCLA TROPICAL

Para 4 personas

2 mangos, partidos por la mitad, sin  
hueso y pelados

3 kiwis, pelados

½ piña, cortada y dividida en 2 porciones iguales

½ taza (20 g) de hojas de menta frescas

1 taza (150 g) de hielo triturado

1. Procese los mangos, kiwi, piña y menta con la Fuente de jugos.
2. Ponga hielo en 4 vasos, vierta sobre el jugo, mezcle bien para combinar.

Sirva inmediatamente.

### BEBIDA HELADA DE TOMATE, NECTARINA, FRUTA DE LA PASIÓN Y MENTA

Para 4 personas

6 tomates

2 nectarinas

½ taza (20 g) de hojas de menta frescas

La pulpa de 4 frutas de la pasión

1 taza (150 g) hielo triturado

1. Procese los tomates, nectarinas y hojas de menta con la Fuente de jugos.
2. Añada la pulpa de la fruta de la pasión.
3. Ponga hielo en 4 vasos, vierta sobre el jugo y mezcle bien.

Sirva inmediatamente.

## BEBIDAS REFRESCANTES cont

### BEBIDA HELADA DE PEPINO, PIÑA Y CILANTRO

Para 4 personas

½ piña, cortada y dividida en 2 porciones iguales

2 pepinos

½ taza (20 g) de hojas frescas de cilantro

1 taza (150 g) de hielo triturado

1. Procese la piña, pepinos y cilantro con la Fuente de jugos.
2. Ponga hielo en 4 vasos, vierta sobre la mezcla, mezcle bien para combinar.

Sirva inmediatamente.

### TRITURADO DE PERA, RÁBANO Y APIO

Para 4 personas

3 peras medianas

4 rábanos, cortados

3 tallos de apio

1 taza (150 g) de hielo triturado

1. Procese las peras, rábanos y apio con la Fuente de jugos.
2. Ponga el hielo en 4 vasos, vierta sobre el jugo, mezcle bien para combinar.

Sirva inmediatamente.

## JUGOS CON ALCOHOL

### PIÑA COLADA DE COCO

½ coco, pelado y partido por la mitad  
½ piña grande, cortada y partida por la mitad  
3 cucharadas (45 ml) de ron de coco  
2 tazas (500 ml) de agua de soda  
1 taza (150 g) de hielo triturado

1. Procese el coco y la piña con la Fuente de jugos.
2. Añada el ron y el agua de soda.
3. Ponga el hielo en 4 vasos grandes, vierta la mezcla de jugo, mezcle bien para combinar.

Sirva inmediatamente

### SUEÑO DE MELÓN HONEYDEW

Para 4 personas  
1 melón honeydew, pelado, sin semillas y a cuadros  
3 cucharadas (45 ml) de licor Midori  
2 tazas (500 ml) de agua de soda  
1 taza (150 g) de hielo triturado

1. Procese el melón honeydew con la Fuente de jugos.
2. Añada el licor y el agua de soda.
3. Ponga el hielo en 4 vasos altos, vierta sobre la mezcla de melón, mezcle bien para combinar.

Sirva inmediatamente.

### BLOODY MARY

Para 4 personas  
4 tomates medianos  
2 tallos de apio  
1 pimiento rojo grande, sin la base y sin semillas  
½ taza (75 ml) de vodka  
1 taza (150 g) de hielo triturado

1. Procese los tomates, apio y pimiento rojo con la Fuente de jugos.
2. Añada el vodka. Ponga el hielo en 4 vasos, vierta sobre la mezcla de tomate, mezcle bien para combinar.

Sirva inmediatamente.

### BEBIDA DE DURAZNO Y MENTA

Para 4 personas  
6 duraznos, partidos por la mitad y sin hueso  
½ taza (20 g) de hojas de menta frescas  
2 cucharadas (30 ml) de Crème de Menthe (Crema de Menta)  
2 cucharaditas (10 ml) de azúcar  
½ taza (75 g) de hielo triturado  
2 tazas (500 ml) de agua mineral

1. Procese los duraznos y hojas de menta con la Fuente de jugos.
2. Añada la Crème de Menthe y el azúcar
3. Ponga el hielo en 4 vasos, vierta sobre la mezcla de durazno, mezcle y combine bien.

Sirva inmediatamente.

## BEBIDAS ENERGÉTICAS

### ENERGÉTICA DE UVA, KIWY Y ARÁNDANOS

Las uvas contienen potasio y hierro y proporcionan un buen reconstituyente después de un día cansado.

Para 6 personas  
3 tazas (500 g) de uvas verdes sin semillas y sin tallos  
2 frutas de kiwi, peladas  
250 g (1 cesta de pinta) de fresas  
2 tazas (500 ml) de leche descremada  
2 cucharadas (30 ml) de bebida de polvo de proteína  
½ taza (75 g) de hielo triturado

1. Procese las uvas, kiwi, y fresas con la Fuente de jugos.
2. Mezcle la leche, bebida de proteína y hielo triturado.

Sirva inmediatamente.

### CHISPA DE CHABACANO, MANZANA Y PERA

Para 4 personas  
4 chabacanos grandes, partidos por la mitad y sin hueso  
4 manzanas rojas pequeñas  
3 peras medianas  
1 taza (250 ml) de agua mineral con burbujas  
½ taza (75 g) de hielo triturado

1. Procese los chabacanos (albaricoques), manzanas y peras con la Fuente de jugos.
2. Añada el agua mineral y el hielo.

Sirva inmediatamente.

### REFRESCO DE BETABEL (REMOLACHA), ZANAHORIA Y NARANJA

Para 4 personas  
8 zanahorias  
2 betabel (remolachas), cortadas  
½ taza de hojas de menta frescas  
4 naranjas, peladas

1. Procese las zanahorias, betabel (remolachas), hojas de menta y naranjas con la Fuente de jugos.

Sirva inmediatamente.

## FIBRAS FAVORITAS

Las siguientes recetas se han creado para poder usar los restos de pulpa que dejan los vegetales y frutas después de exprimirlos, para no tener que tirarlos.

### FLAN DE ZANAHORIA, CALABAZA Y FETA

Para 6 personas

- 8 hojas de masa de hojaldre
- 4 cucharadas (60 g) de mantequilla, derretida
- 1 puerro, finamente cortado
- 1 taza (160 g) de pulpa de calabaza
- 1 taza (120 g) de pulpa de zanahoria
- 8 oz (250 g) de queso feta, desmigajado
- 3 huevos
- 1 clara de huevo
- ½ taza (125 ml) leche
- 2 cucharadas (30 ml) de ralladura de naranja
- 3 cucharadas (45 ml) de perejil fresco triturado

1. Sitúe las hojas de hojaldre, cepillando entre cada hoja con mantequilla. Eleve la masa en un anillo de flan de 25 cm (10 pulg; 25 cm), presionándolo sobre la base y el lado. Corte el borde de la masa alrededor de 1.5 cm (1/2 in; 2 cm) más alto que el lado del anillo.
2. Mezcle el puerro, calabaza, zanahoria, queso feta, huevos, clara de huevo, leche, corteza de naranja y perejil. Vierta en el molde de masa y hornee a 180°C (350°F; 180°C) durante 25-30 minutos o hasta que este dorado y asentado.

### SOPA DE VEGETALES Y TOCINO

Para 4 personas

- 1 cucharada (15 g) de mantequilla
- 1 cebolla, finamente cortada
- 1 jamón con hueso
- 3 tazas (350 g) de pulpa de betabel (remolacha), colada y con el jugo reservado
- ½ taza (50 g) de pulpa de papa, colada y con el jugo reservado
- ½ taza (50 g) de pulpa de zanahoria, colada y con el jugo reservado
- 1 taza (100 g) de pulpa de tomate, colada y con el jugo reservado
- 50 g (50 g) pulpa de col, colada y con el jugo reservado y suficiente agua para hacer 2 litros (2 L)
- 4 rebanadas de tocino, trituradas
- 1 cucharada (15 ml) de jugo de limón
- ½ taza (110 g) de crema agria

1. Derrita la mantequilla en una sartén grande, cocine la cebolla sobre un fuego medio durante 2-3 minutos o hasta que estén dorados. Añada el hueso de jamón a la sartén, mezcle la pulpa de betabel (remolacha), pulpa de zanahoria, pulpa de tomate, pulpa de col, jugos reservados y agua, tocino y jugo de limón. Espere a que hierva, reduzca el calor y deje hervir a fuego lento durante 30-40 minutos.
2. Saque el hueso del jamón y deséchelo y corte la carne finamente. Regrese a la sartén.

Sirva cubierto con crema agria.

## FIBRAS FAVORITAS cont

### PASTELES DE ZANAHORIA, MANZANA Y APIO

Salen 8

- 2 cucharadas (30 g) de mantequilla
- 1 cebolla pequeña, finalmente cortada
- 4 ½ tazas (500 g) de pulpa de zanahoria, manzana y apio colada (ver receta del jugo en la página 22)
- 1 taza (250 g) de queso cottage
- 2 cucharadas (30 ml) de menta fresca triturada
- 1 huevo, batido
- 12 hojas de masa de hojaldre
- 4 cucharadas (60 g) mantequilla, extra derretida
- 1 taza de queso rallado Parmesano fresco

1. Derrita la mantequilla en la sartén, añada cebolla y cocine durante 2-3 minutos o hasta que esté blanda, sazonando al gusto. Combine la pulpa de cebolla, zanahoria, manzana y apio, queso cottage, menta y huevo en un tazón.
2. Corte las hojas de hojaldre por la mitad, ponga 3 hojas sobre una mesa de cocina, cubra el resto de la masa con papel de parche o encerado, y luego cubra con un paño húmedo para evitar que se seque. Cepille 1 hoja de la masa con mantequilla extra, rocíe con queso Parmesano, ponga encima otra hoja de masa, cepille con mantequilla, rocíe con mas queso. Repita con las últimas tres hojas de masa.
3. Ponga 6 cucharadas (40 g) de mezcla de zanahoria en un extremo de la masa, doble los bordes y enrolle. Repita con el resto de la masa y la mezcla de pulpa. Sitúe en una charola de horno engrasada y hornee a 200°C (400°F; 200°C) durante 20-25 minutos o hasta que esté dorado.

### PASTELILLOS CALIENTES DE PASTINACA, HIERBAS Y POLENTA

Para 6 personas

- 2 tazas (240 g) de pulpa de pastinaca, colada
- ¼ taza (60 ml) de leche
- 2 huevos por, separado
- ¼ taza (40 g) harina de maíz
- ¼ taza (35 g) harina ya preparada con levadura
- 1 cucharadita (5 ml) de tomillo fresco triturado
- 1 cucharadita (5 ml) de romero fresco triturado
- 1 cucharadita (5 ml) de sazón de Cajún
- 1 pimiento rojo pequeño, finamente troceado
- 1 cucharada (15 ml) de aceite

1. Combine la pulpa de la pastinaca, leche, yemas de huevo harina ya preparada con levadura, harina de maíz, tomillo, romero, sazón de Cajún y pimiento rojo en un tazón grande. Bata las claras de huevo hasta que se formen picos suaves, añádale a la mezcla de pastinaca.
2. Caliente el aceite en una sartén grande de freír, y ponga cucharadas de la mezcla en una charola. Cocine durante alrededor de 1 minuto en cada lado o hasta que estén doradas.

Sirva inmediatamente.

## FIBRAS FAVORITAS cont

### MOUSSE DE ARÁNDANOS Y CHOCOLATE BLANCO

Para 6 personas

8 oz (200 g) de chocolate blanco

1 taza (200 g) de pulpa de fresa

1 taza (200 g) de pulpa de frambuesa

1 cucharada (15 ml) de polvo de gelatina disuelta en 3 cucharadas (45 ml) de agua caliente

3 yemas de huevo

¼ taza (300 ml) de crema espesa

¼ taza (50 g) de azúcar para glasear

2 cucharadas (30 ml) de Grand Marnier

1. Derrita el chocolate sobre agua caliente, enfríelo, con cuidado de que no se asiente. Combine la pulpa de fresa y la pulpa de frambuesa y déjelas a un lado. Combine el chocolate, mezcla de gelatina y yemas de huevos, mezcle hasta que este pálido y brillante. Bata la crema hasta que se formen picos suaves, añádalo a la mezcla del chocolate con la pulpa de arándanos y el Grand Marnier. Vierta en un molde de capacidad para 5 tazas (5 tazas; 1250 ml). Refrigere durante varias horas o por la noche.

### MOLDE DE TÉ DE ZANAHORIA

1 ½ tazas (210 g) de harina para todo uso

2 cucharaditas (10 ml) de levadura

½ cucharadita (2 ml) de nuez moscada

½ cucharadita (2 ml) de canela

½ cucharadita (2 ml) de cardamomo

½ taza (60 g) de cacahuates, troceados

½ taza (80 g) de pasas doradas

½ taza (85 g) de azúcar moreno, firmemente empaçado

1 ½ tazas (180 g) de pulpa de zanahoria

½ taza (125 ml) de aceite

2 huevos, ligeramente batidos

¼ taza (55 g) de crema agria

1. Engrase y cubra un molde rectangular de 11cm x 21cm (4 \_ in x 8 \_ in; 11 cm x 21 cm). Mezcle la harina y la levadura en un tazón de mezclar grande, añada nuez moscada, canela, cardamomo, cacahuates, pasas doradas, azúcar marrón y pulpa de zanahoria. Mezcle para combinar. Mezcle los huevos el aceite y la crema agria. Añada los ingredientes secos. Mezcle con la mezcladora eléctrica usando la velocidad media hasta que todos los ingredientes estén bien mezclados. Vierta en el molde engrasado.
2. Hornee a 180°C (350°; 180°C) durante 1 hora o hasta que el molde esté cocinado cuando lo compruebe con un pincho. Sáquelo del horno, y deje que permanezca en el molde durante 5 minutos antes de invertirlo en una bandeja.

## FIBRAS FAVORITAS cont

### MEAT LOAF FAMILIAR

Para 6-8 personas

1 lb (500 g) de carne de res molida

1 lb (500 g) salchicha a granel

2 cebollas, finamente picadas

½ taza (60 g) de pulpa de zanahoria, colada

½ taza (80 g) de pulpa de papa, colada

2 cucharaditas de polvo de curry

1 cucharadita (1 cucharadita; 5 ml) de comino molido

1 cucharada (1 cucharada; 15 ml) de perejil fresco troceado

1 huevo, ligeramente batido

½ taza (125 ml) de leche evaporada

½ taza (125 ml) de caldo de carne

Pimienta negra fresca molida

2 cucharadas (30 ml) de almendras cortadas

#### SALSA DE TOMATE

½ taza (125 ml) de caldo de res

4 cucharadas (60 ml) de salsa de tomate

1 cucharadita (5 ml) de polvo de café instantáneo

3 cucharadas (45 ml) de salsa Worcestershire

1 ½ cucharadas (20 ml) de vinagre

1 ½ cucharadas (20 ml) de jugo de limón

3 cucharadas (45 ml) de azúcar morena

¼ taza (60 g) de mantequilla

1. Vierta la carne, salchicha, cebollas, pulpa de zanahoria, polvo de curry, comino, perejil, huevo, leche evaporada, caldo y pimienta negra en un tazón y mézclelo para combinar. Presione la mezcla en un molde rectangular engrasado de 11 x 21 cm (4 \_ in x 8 \_ in; 11 x 21 cm). Vierta la salsa sobre el molde de carne, espolvoree con almendras y hornee, rociando a menudo con la salsa, durante 60 minutos o hasta que el termómetro de la carne registre 74°C (165°; 74°C).
2. Para hacer la salsa, ponga el caldo, salsa de tomate, polvo de café, salsa Worcestershire, vinagre, jugo de limón y mantequilla en una sartén y hierva a fuego medio. Reduzca el calor y deje hervir a fuego lento, removiendo con frecuencia 8-10 minutos o hasta que la salsa se reduzca y se espese ligeramente.