



JM258 INSTRUCTION MANUAL

Contents

Warnings and Precautions 2

Important Safety Instructions 3

What's in the Box & Features 4

Quick Start: Karaoke 5

Quick Start: TV Connection 6

Operations 7-10

Location of Controls & Definitions 11-15

Service Information 16

Warnings and Precautions

TO PREVENT FIRE OR SHOCK HAZARDS, DO NOT EXPOSE THIS UNIT TO RAIN OR MOISTURE.



This symbol, located on back or bottom of the unit, is intended to alert the user to the presence of uninsulated “dangerous voltage” within the product’s enclosure that may be of sufficient magnitude to constitute a risk of electric shock to persons.



This symbol, located on back or bottom of the unit, is intended to alert the user to the presence of important operating and maintenance (servicing) instructions in the literature accompanying the appliance.



This product utilizes a Class 1 laser to read Compact Discs. This laser Compact Disc Player is equipped with safety switches to avoid exposure when the CD door is open and the safety interlocks are defeated. Invisible laser radiation is present when the CD Player’s lid is open and the system’s interlock has failed or been defeated. It is very important that you avoid direct exposure to the laser beam at all times. Please do not attempt to defeat or bypass the safety switches.

CAUTION: TO PREVENT ELECTRIC SHOCK, MATCH WIDE BLADE OF PLUG TO WIDE SLOT AND FULLY INSERT, WHEN PLUGGING THE UNIT INTO AN OUTLET.

To reduce the risk of electric shock, do not remove cover (or back). There are no user-serviceable parts inside. Please refer any servicing to qualified service personnel.

WARNING: Changes or modifications to this unit not expressly approved by the party responsible for compliance could void the user’s authority to operate the equipment.

NOTE: This equipment has been tested and found to comply with the limits for a Class B digital device, pursuant to Part 15 of the FCC Rules. These limits are designed to provide reasonable protection against harmful interference in a residential installation. This equipment generates, uses, and can radiate radio frequency energy and, if not installed and used in accordance with the instructions, may cause harmful interference to radio communications. However, there is no guarantee that interference will not occur in a particular installation. If this equipment does cause harmful interference to radio or television reception, which can be determined by turning the equipment off and on, the user is encouraged to try to correct the interference by one or more of the following measures:

- Reorient or relocate the receiving antenna.
- Increase the separation between the equipment and receiver.
- Connect the equipment into an outlet on a circuit different from that to which the receiver is connected.
- Consult the dealer or an experienced radio/TV technician for help.

Important Safety Instructions

- 1. Read these instructions.** All the safety and operating instruction should be read before the product is operated.
- 2. Keep these instructions.** The safety and operating instructions should be retained for future reference.
- 3. Heed all warnings.** All warnings on the product and in the operating instructions should be adhered to.
- 4. Follow all instructions.** All operating and use instructions should be followed.
- 5. Water and Moisture:** Do not use this product near water - for example, near a bath tub, wash bowl, kitchen sink, or laundry tub; in a wet basement, or near a swimming pool, and the like. The apparatus shall not be exposed to dripping or splashing and that no objects filled with liquids, such as vases, shall be placed on apparatus.
- 6. Cleaning:** Clean only with a dry cloth. Unplug this product from the wall outlet before cleaning. Do not use liquid cleaners or aerosol cleaners.
- 7. Ventilation:** Slots and openings in the cabinet are provided for ventilation and to ensure reliable operation of the product and to protect it from overheating, and these openings must not be blocked or covered. The openings should never be blocked by placing the product on a bed, sofa, rug, or other similar surface. This product should not be placed in a built-in installation such as a bookcase or rack unless proper ventilation is provided or the manufacturer's instructions have been adhered to.
- 8. Heat:** Do not install near any heat sources such as radiators, heat registers, stoves, or other apparatus (including amplifiers) that produce heat.
- 9. Grounding or Polarization:** Do not defeat the safety purpose of the polarized or grounding-type plug. A polarized plug has two blades with one wider than the other. A grounding type plug has two blades and a third grounding prong. The wide blade or the third prong is provided for your safety. If the provided plug does not fit into your outlet, consult an electrician for replacement of the obsolete outlet.
- 10. Power-Cord Protection:** Protect the power cord from being walked on or pinched particularly at plugs, convenience receptacles, and the point where they exit from the apparatus.
- 11. Accessories:** Only use attachments/accessories specified by the manufacturer. Do not place this product on an unstable cart, stand, tripod, bracket, or table. The

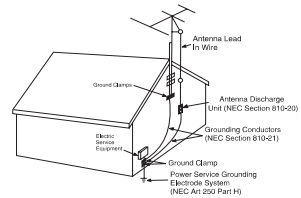
product may fall causing serious injury to a child or adult and serious damage to the product. Use only with a cart, stand, tripod, bracket, or table recommended by the manufacturer or sold with the product. Any mounting of the product should follow the manufacturer's instructions and should use a mounting accessory recommended by the manufacturer.

12. A product and cart combination should be moved with care. Use only with the cart, stand, tripod, bracket, or table specified by the manufacturer, or sold with the apparatus. When a cart is used, use caution when moving the cart/apparatus combination to avoid injury from tip-over.



- 13. Lightning:** Unplug this apparatus and disconnect the antenna or cable system during lightning storms or when unused for long periods of time. This will prevent damage to the product due to lightning and power-line surges.
- 14. Servicing:** Do not attempt to service this product yourself as opening or removing covers may expose you to dangerous voltage or other hazards. Refer all servicing to qualified service personnel.
- 15. Power Sources:** Only connect to the type of house-hold power supply as indicated in the operating instructions and rating label. If you are not sure of the type of power supply to your home, consult your product dealer or local power company. For products intended to operate from battery power, or other sources, refer to the operating instruction.
- 16. Overloading:** Do not overload wall outlets or extension cords as this can result in a risk of fire or electric shock.
- 17. Object and Liquid Entry:** Never push objects of any kind or spill liquid into this product through openings as this could result in a risk of fire or electric shock.
- 18. Replacement Parts and Safety Check:** When replacement parts are required, be sure the service technician has used replacement parts specified by the manufacturer. Ask the service technician to perform safety checks to ensure proper operation to avoid possible fire, electric shock, or other hazards.

19. **Outdoor Antenna Grounding:** If an outside antenna or cable system is connected to the product, be sure the antenna or cable system is grounded so as to provide some protection against voltage surges and built-up static charges. Article 810 of the National Electrical Code, ANSI/NFPA 70, provides information with regard to proper grounding of the mast and supporting structure, grounding of the lead-in wire to an antenna connection to grounding electrodes, and requirements for the grounding electrode.



20. **Wall or Ceiling Mounting:** The product should be mounted to a wall or ceiling only as recommended by the manufacturer.

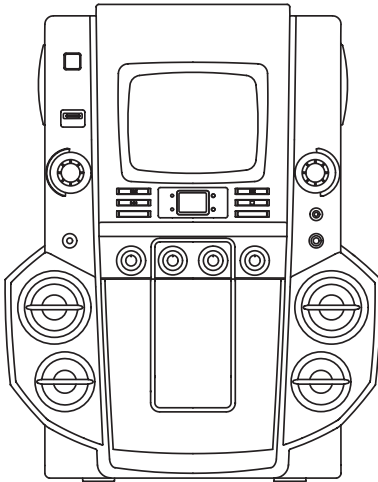
21. Where the AC plug or an appliance coupler is used as the disconnect device, the disconnect device shall remain readily operable.

22. **Protective Attachment Plug:** The product is equipped with an attachment plug having overload protection. This is a safety feature. See Instruction Manual for replacement or resetting of protective device. If replacement of the plug is required, be sure the service technician has used a replacement plug specified by the manufacturer that has the same overload protection as the original plug.

23. **Power Lines:** An outside antenna system should not be located in the vicinity of overhead power lines or other electric light or power circuits, or where it can fall into such power lines or circuits. When installing an outside antenna system, extreme care should be taken to keep from touching such power lines or circuits as contact with them might be fatal.

What's in the Box

JM258 - Karaoke Machine



Omni-Directional Microphone



RCA Audio/Video Cable



Instruction Manual & Warranty Card

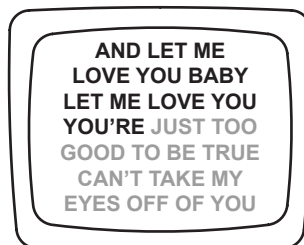
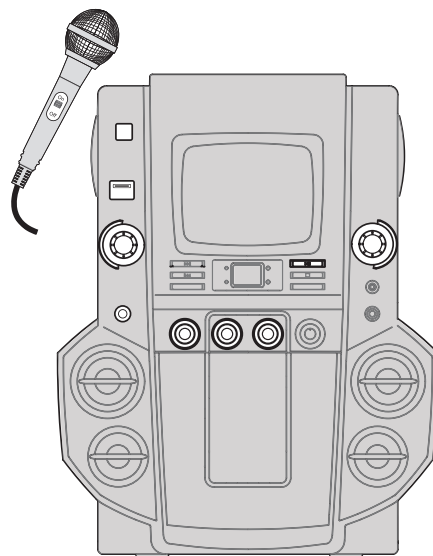
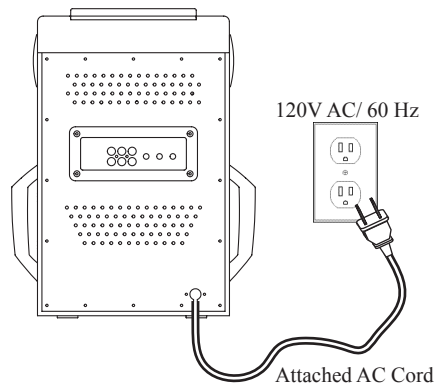
Features

- Built-in CD+G Circuitry
- Top-Load CD+G, CD, CD-R Player
- 19 Programmable Tracks
- Repeat 1 or ALL Modes
- Built-In 5" Black & White Monitor displays CD+G graphics
- 2-Digit LED Display
- Omni-Directional Microphone (included)
- 2 Microphone Inputs (second microphone not included)
- Volume Controls for Microphone 1 & 2
- Balance Control
- Echo Control
- A.V.C. (Auto Voice Control) System
- Audio/Video Inputs & Outputs
- A/V Cable (included)
- Headphone Output
- AC Power, attached AC Cord

Quick Start: Karaoke

- 1 Plug the unit into a standard 120V outlet, turn the power on, and load a standard karaoke disc, known as a CD+G, into the CD-Drive.
- 2 Adjust the **Function Switch** to CD+G to match the disc type.
- 3 Plug the included Omni-Directional Microphone into the **Microphone 1 Input**, and turn the Microphone on.
- 4 Press the **Play Button** to start the loaded CD+G. The lyrics will appear on the built-in monitor, while the audio plays through the unit's speakers.
- 5 Turn the **Volume Dial** to adjust the volume. Turn the **Microphone 1 Volume Dial** to adjust the volume of microphone 1. Turn the **Balance Dial** to adjust the balance between the CD+G music volume and the microphone volume.
 - If microphone feedback noise occurs, turn the microphone volume down and/or move the mic away from the unit's speakers.
- 6 Turn the **Automatic Voice Control Dial** to compensate for varying levels of volume from the microphone. Turn the **Echo Dial** to adjust the degree of echo output from the speakers.
- 7 Sing and have fun!

Back of Karaoke Unit



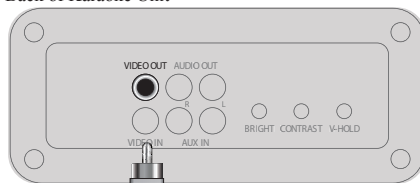
Quick Start: TV Connection

The CD+G lyrics can be displayed on a connected television.

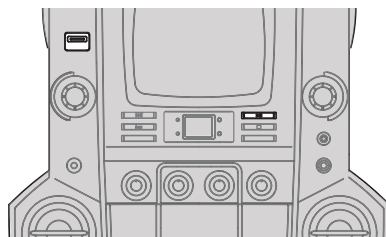
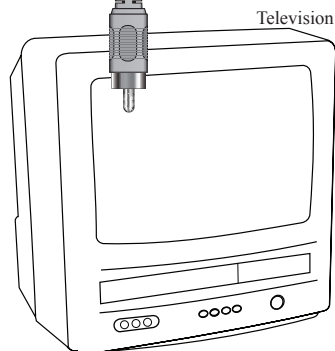
When connecting two products using an RCA Cable, match the colored ports with the same colored connection. (Red to Red, White to White, and Yellow to Yellow)

- 1 Plug one end of the RCA Cable (included) into the **Video Output** on the karaoke unit.
- 2 Plug the other end of the RCA Cable into a video input on the television.
- 3 Set the television to the appropriate video input.
- 4 Power on the karaoke unit.
- 5 Insert a CD+G disc.
- 6 Adjust the **Function Switch** to CD+G to match the disc type.
- 7 Press the **Play Button**.
- 8 Video played on the karaoke unit will now display on the television.

Back of Karaoke Unit



RCA Cord



Operations

Playing a CD or CD+G Disc

1. Load the CD or CD+G Disc into the unit's CD-Drive, located on the top of the unit.
2. Adjust the **Function Switch** to CD or CD+G to match the disc.
3. Press the **Play Button** to start the loaded disc. CD+G lyrics will appear on the 5" black & white screen, while CD audio plays through the unit's speakers. Press the **Pause Button** to pause the loaded disc. Press the **Stop Button** to stop the disc.
4. Press the **Skip & Search Buttons** to skip forwards or backwards through a CD or CD+G's tracks. Press and hold the **Skip & Search Buttons** to search forwards or backwards through an individual track on a CD. The CD and CD+G track number will appear on the 2-digit red LED display.
5. Turn the **Volume Dial** to adjust the volume of the speakers. Turn the **Microphone 1 Volume Dial** to adjust the volume of microphone 1. Turn the **Balance Dial** to adjust the balance between the CD+G music volume and the microphone volume.
6. Press the **Repeat Button** once to repeat an individual song (the Repeat Indicator Light will blink red). Press the **Repeat Button** twice to repeat an entire album (the Repeat Indicator Light will light red, without blinking).
7. Turn the **Automatic Voice Control Dial** to automatically adjust the volume to compensate for varying levels of volume from the microphone.
8. Plug headphones (not included) into the **Headphone Output** to disable the stereo speakers, and listen to a CD or CD+G in private.

Operations

Programming a CD or CD+G Disc

1. Load the CD or CD+G Disc into the unit's CD-Drive, located on the top of the unit.
2. Adjust the **Function Switch** to CD or CD+G to match the disc.
3. Press the **Program Button** to begin programming the CD or CD+G Disc (the Program Indicator Light will blink red).
4. Select a CD or CD+G track using the **Skip & Search Buttons**.
5. Once the desired track is selected, press the **Program Button**.
6. Repeat steps 4. and 5. until all of the desired tracks are programmed. This unit allows up to 19 tracks to be programmed.
7. Press the **Play Button** to begin playing the programmed tracks.

Adjusting the 5" Black & White Display

1. Turn the **Brightness Dial** to adjust the brightness of the 5" display. Increasing the brightness increases how light the screen displays.
2. Turn the **Contrast Dial** to adjust the contrast of the 5" display. Increasing the contrast increases the displayed difference between white and black.
3. Turn the **Vertical Hold Dial** to adjust the vertical hold of the 5" display. Adjust the vertical hold to remove vertical tracking lines from the display.

Operations

Audio Output: to a TV, or Stereo System

When connecting two products using an RCA Cable, match the colored ports with the same colored connection. (Red to Red, White to White, and Yellow to Yellow)

1. Plug one end of the included RCA Cable into the Audio (Left) and Audio (Right) Output port on the unit.
2. Plug the other end of the RCA Cable into the Audio (Left) and Audio (Right) Input on the TV or Stereo System. Select the correct input setting on the TV or Stereo System.
3. Audio played through the unit will now be heard through the unit and the TV or Stereo System.

Audio Input: from a TV, Mp3 Player, or DVD Player

When connecting two products using an RCA Cable, match the colored ports with the same colored connection. (Red to Red, White to White, and Yellow to Yellow)

Most Mp3 will require an RCA - 3.5mm cord adapter (not included).

1. Plug one end of the included RCA Cable into the **Auxiliary Inputs** on the unit.
2. Plug the other end of the RCA Cable into the audio (left) and audio (right) output on the television, Mp3 player, or DVD player.
3. Adjust the **Function Switch** to AUX. Audio played through the television, Mp3 player, or DVD player will now be heard through the unit's speakers.

Operations

Video Output: to a Television, or Monitor

When connecting two products using an RCA Cable, match the colored ports with the same colored connection. (Red to Red, White to White, and Yellow to Yellow)

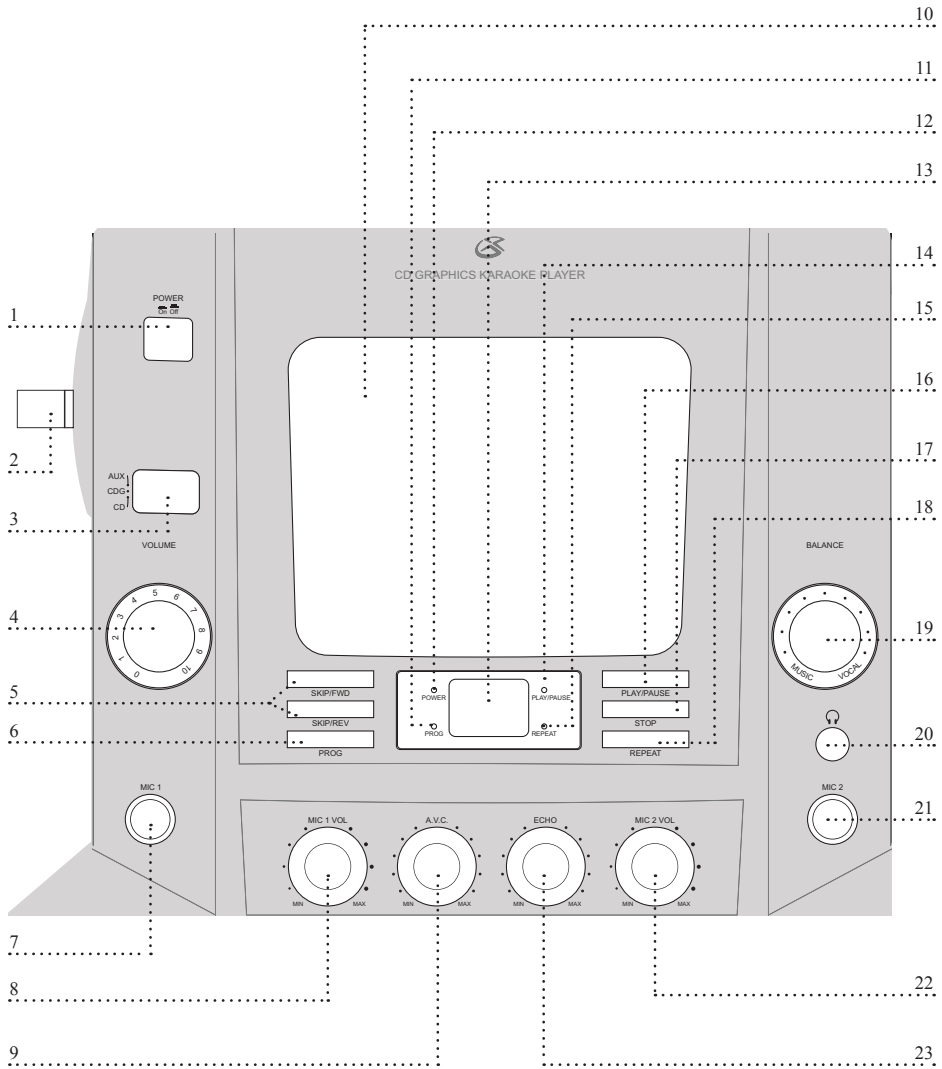
1. Plug one end of the included RCA Cable into the **Video Output** on the unit.
2. Plug the other end of the RCA Cable into a video input on the television.
3. Set the television to the appropriate video input.
4. CD+G graphics played on the unit will now display on the television.

Video Input: from a Television, or DVD Player

When connecting two products using an RCA Cable, match the colored ports with the same colored connection. (Red to Red, White to White, and Yellow to Yellow)

1. Plug one end of the included RCA Cable into the **Video Input** on the unit.
2. Plug the other end of the RCA Cable into a video output on the television or DVD player.
3. Adjust the **Function Switch** to AUX. Video played on the television or DVD player will now display on the unit.

Controls: Front View



Controls: Front View Defined

- 1 Power Button** Press the Power Button to turn the unit off and on.

- 2 Microphone Holder** Use the Microphone Holder to hold the microphone.

- 3 Function Switch** Adjust the Function Switch to set the unit to play from *AUX Input*, *CD+G*, or *CD Mode*.

- 4 Volume Dial** Turn the Volume Dial to adjust the volume of audio playing through the unit's speakers.

- 5 Skip & Search Buttons** Press the Skip Buttons to skip forwards or backwards through a CD or CD+G's tracks. Press and hold the Search Buttons to search forwards or backwards through an individual CD track.

- 6 Program Button** Press the Program Button to begin programming a CD or CD+G. Up to 19 tracks can be programmed at one time. When in *Program Mode*, the Program Indicator will light up. *See the Operations section for instructions on how to program a CD and CD+G.*

- 7 Microphone 1 Input** Use the Microphone 1 Input as a receptacle for a microphone plug.

- 8 Microphone 1 Volume Dial** Turn the Microphone 1 Volume Dial to adjust the volume of the Microphone 1 Input.

- 9 Auto Voice Control Dial** The Automatic Voice Control Dial adjusts the volume of the unit to compensate for varying levels of volume from the microphone. Turn the dial to adjust the degree to which the Automatic Voice Control Dial compensates for variations in volume.

- 10 Monitor Screen** The 5 inch black and white monitor displays lyrics from CD+G discs. The screen can display video from a TV if the video input on the unit is connected to a TV.

- 11 Program Indicator** The Program Indicator lights up when the unit is in *Program Mode*. *See the Operations section for instructions on how to program a CD and CD+G.*

- 12 Power Indicator** The Power Indicator lights up when the unit is powered on.

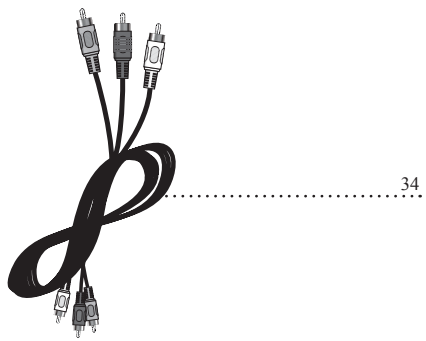
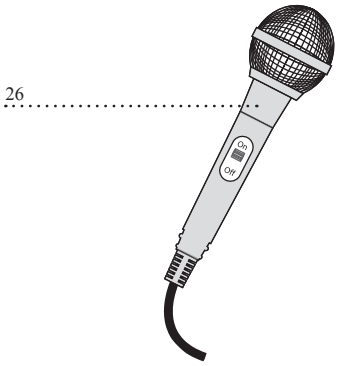
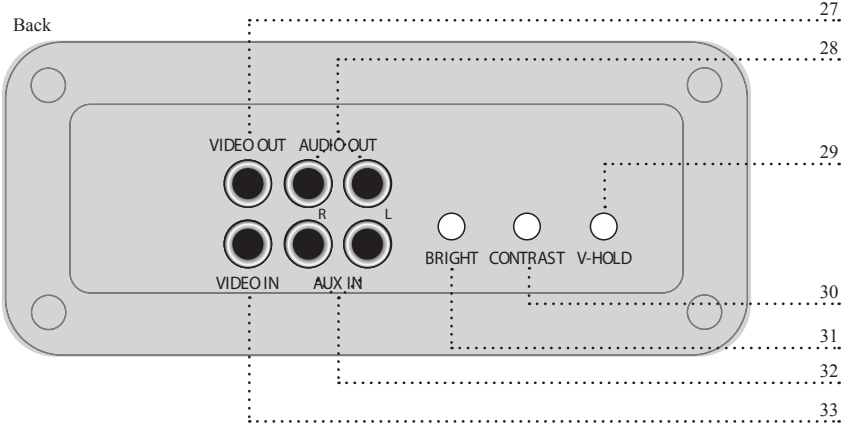
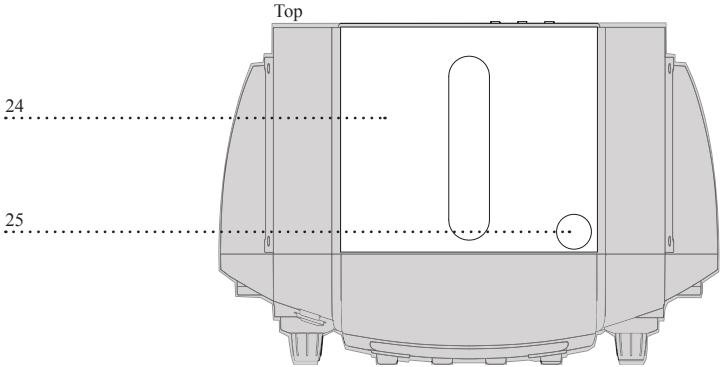
- 13 LED Display** The LED Display shows CD and CD+G track numbers, a Power Indicator, Program Indicator, Play/Pause Indicator, and a Repeat Indicator.

- 14 Play & Pause Indicator** The Play & Pause Indicator lights up when a CD or CD+G is playing. The Play & Pause Indicator blinks when a CD or CD+G is paused.

Controls: Front View Defined

- 15 Repeat Indicator** The Repeat Indicator blinks when repeating a single song from a CD or CD+G disc. The Repeat Indicator lights up when repeating an entire CD or CD+G album.
-
- 16 Play & Pause Buttons** Press the Play & Pause Buttons to play and pause a CD or CD+G.
-
- 17 Stop Button** Press the Stop Button to stop a CD or CD+G during play.
-
- 18 Repeat Button** Press the Repeat Button once to repeat an individual song; when activated, the Repeat Indicator will blink red. Press the Repeat Button twice to repeat an entire CD; when activated, the Repeat Indicator Light will turn red without blinking.
-
- 19 Balance Dial** Turn the Balance Dial to adjust the balance of vocal volume and music volume.
-
- 20 Headphone Output** Use the Headphone Output to connect headphones and listen to audio from the unit in private.
-
- 21 Microphone 2 Input** Use the Microphone 2 Input as a receptacle for a microphone plug. (second microphone not included)
-
- 22 Microphone 2 Volume Dial** Turn the Microphone 2 Volume Dial to adjust the volume of audio playing through the unit's speakers from the Microphone 2 Input.
-
- 23 Echo Dial** Turn the Echo Dial to add an echo effect to the microphone inputs.
-

Controls: Top, Back & Peripherals



Controls: Top, Back & Peripherals Defined

- 24 CD Door** The CD Door opens to expose the CD-Drive.
-
- 25 Open & Close Button** Press the Open & Close Button to open and close the CD Door.
-
- 26 Omni-Directional Microphone** The Omni-Directional Microphone accepts audio from any direction, making it easy for multiple people to sing into one microphone. Use the ON/OFF selector switch on the microphone to turn the microphone on or off.
-
- 27 Composite Video Output** Use the Composite Video Output to send CD+G lyrics from the unit, to a television. *See “Video Output: to a Television, or Monitor” under the Operations section.*
-
- 28 Audio Output** Connect the Audio Output to an external audio source to play audio from the unit, on an external source. *See “Audio Output: to a TV, or Stereo System” under the Operations section.*
-
- 29 Vertical Hold Dial** Turn the Vertical Hold Dial to adjust the vertical hold of the 5 inch black and white monitor.
-
- 30 Contrast Dial** Turn the Contrast Dial to adjust the contrast of the 5 inch black and white monitor.
-
- 31 Brightness Dial** Turn the Brightness Dial to adjust the brightness of the 5 inch black and white monitor.
-
- 32 Audio Input** Connect the Audio Input to an external audio source to play audio from the external source, on the unit. *See “Audio Input: from a TV, Mp3 Player, or DVD Player” under the Operations section.*
-
- 33 Composite Video Input** Use the Composite Video Input to send video from an external video source, to the unit. *See “Video Input: from a Television, or DVD Player” under the Operations section.*
-
- 34 RCA Audio/Video Cable** The RCA Audio/Video Cable allows you to connect the unit to external audio and video products.
-

For accessories, visit us at www.gpx.com.



Service Information

Address 2116 Carr Street, St. Louis MO, 63106

Phone 1-314-621-2881

Fax 1-314-588-1805

Email prodinfo@gpx.com

Website www.gpx.com

To download this Instruction Manual in English, Spanish, or French visit the Support section at www.gpx.com.

Para descargar este manual de instrucción en inglés, español, o francés visite la sección de la ayuda en www.gpx.com.

Pour télécharger ce manuel d'instruction en anglais, espagnol, ou le Français visitez la section de soutien à www.gpx.com.
