



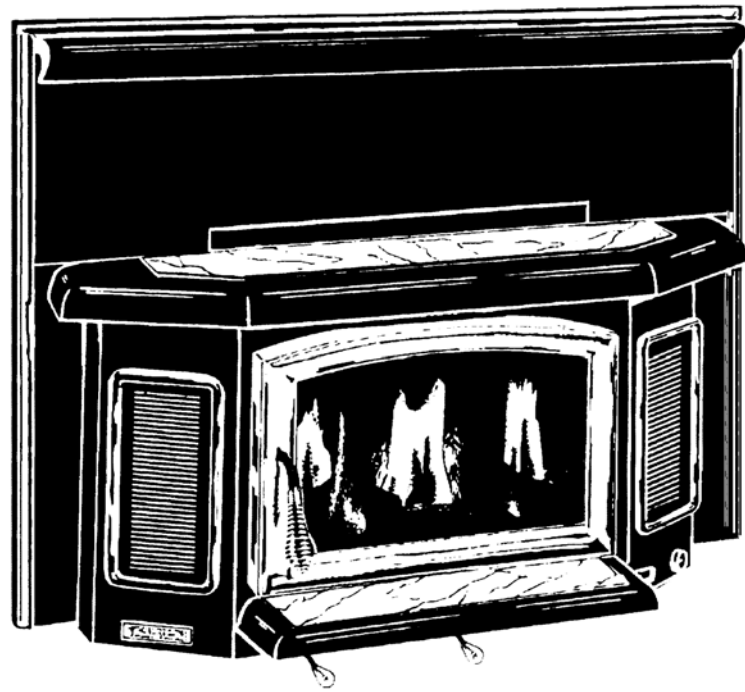
# INSTALLATION AND OPERATION MANUAL

EPA CERTIFIED  
WOOD BURNING  
FIREPLACE INSERT



[www.nficertified.org](http://www.nficertified.org)

We suggest that our wood-burning hearth products be installed and serviced by professionals who are certified in the U.S. by the National Fireplace Institute® (NFI) as NFI Woodburning Specialists or who are certified in Canada by Wood Energy Technical Training (WETT).



RETAIN THESE  
INSTRUCTIONS  
FOR FUTURE  
REFERENCE

## MODEL 2800HT

THIS APPLIANCE MUST BE INSTALLED BY A QUALIFIED INSTALLER.  
READ ENTIRE MANUAL THOROUGHLY BEFORE INSTALLATION.

Tested &  
Listed By  Beaverton  
Oregon USA  
OMNI-Test Laboratories, Inc.

P/N 775004M, Rev. J, 11/03

## IMPORTANT WARNINGS

**CAUTION: PLEASE READ THIS ENTIRE MANUAL BEFORE YOU INSTALL AND USE YOUR NEW ROOM HEATER. FOR YOUR SAFETY, FOLLOW THE INSTALLATION, OPERATION AND MAINTENANCE INSTRUCTIONS EXACTLY, WITHOUT DEVIATION. FAILURE TO FOLLOW THESE INSTRUCTIONS MAY RESULT IN PROPERTY DAMAGE, BODILY INJURY, OR EVEN DEATH. IF THIS APPLIANCE IS NOT PROPERLY INSTALLED, A HOUSE FIRE MAY RESULT. CONTACT YOUR LOCAL BUILDING OR FIRE OFFICIALS ABOUT RESTRICTIONS AND INSTALLATION INSPECTION REQUIREMENTS IN YOUR AREA.**

1. If utilizing an older chimney, it must be inspected for adequate serviceability. Refer to the heading *Chimney Inspection* on page 4.
2. Install only in masonry fireplaces, built to UBC 37 or ULC S628 standards or A factory built fireplace (built to UL 127 or ULC S610 standards).
3. The minimum clearances must be maintained for all combustible surfaces and materials including; furniture, carpet, drapes, clothing, wood, papers, etc. Do not store firewood within this clearance space. Failure to maintain clearances to all combustibles may result in a house fire.
4. This appliance requires a non-combustible fireplace hearth or hearth extension (see *Floor Protection* on page 4 for additional information).
5. Minimum ceiling height must be 7 feet (213 cm) (measured from base of appliance to ceiling).
6. DO NOT CONNECT THIS APPLIANCE TO A CHIMNEY FLUE CONNECTED TO ANOTHER APPLIANCE.
7. Do not connect this appliance to air ducts or any air distribution system.
8. Do not install appliance in a sleeping room.
9. PREVENT CREOSOTE FIRE: Inspect and clean chimney frequently. Under certain conditions of use, creosote buildup may occur rapidly. Inspect chimney connector and chimney twice monthly and clean if necessary. Using green or inadequately seasoned wood can greatly increase creosote buildup. Use dry wood to minimize creosote buildup.
10. USE SOLID WOOD FUEL ONLY: This appliance is approved for burning dry seasoned natural wood only. CAUTION: BURN UNTREATED WOOD ONLY. DO NOT BURN GARBAGE OR FLAMMABLE FLUIDS SUCH AS GASOLINE, NAPHTHA OR ENGINE OIL.
11. Never use gasoline, gasoline-type lantern fuel, kerosene, charcoal lighter fluid, or similar liquids to start or "freshen up" a fire in this heater. Keep all such liquids well away from the heater while it is in use.
12. DO NOT OVERFIRE: If heater or chimney connector glows, you are overfiring. Overfiring this appliance could cause a house fire. Overfiring is a condition where the appliance is operated at temperatures above its design capabilities. Overfiring can be caused by improper installation, improper operation, lack of maintenance or improper fuel usage. Damage caused from overfiring is NOT covered under the manufacturer's limited warranty.
13. NEVER LEAVE AN UNATTENDED FIREPLACE INSERT BURNING ON HIGH. Operation of the fireplace insert with the primary air control at its highest burn rate setting for extended periods can cause dangerous overfiring conditions. The primary air control should only be positioned at the highest setting during start-up procedures and for short duration. When leaving the fireplace insert unattended ensure that the primary air control is set to the low or medium low range.
14. The Start-Up Air Control must only be opened (pulled out) during the start-up procedures. CAUTION: OPERATION OF THE APPLIANCE WITH THE START-UP AIR CONTROL IN THE OPEN POSITION FOR EXTENDED PERIODS CAN CAUSE DANGEROUS OVERFIRING CONDITIONS.
15. Use a metal container with a tight fitting lid to dispose of ashes.
16. IN THE EVENT OF A COMPONENT FAILURE, USE ONLY COMPONENTS PROVIDED BY THE MANUFACTURER AS REPLACEMENT PARTS.
17. Burning any kind of fuel uses oxygen from the dwelling. Be sure that you allow an adequate source of fresh air into the room where the fireplace insert is operating (see *Ventilation Requirements* on page 5).
18. CAUTION: HOT WHILE IN OPERATION. An appliance hot enough to warm your home can severely burn anyone touching it. Keep children, clothing and furniture away. Contact may cause skin burns. Do not let children touch the appliance. Train them to stay a safe distance from the appliance.
19. Do not operate this appliance without the fire-box baffle plate properly installed.
20. Build fires directly upon the brick hearth inside the fireplace insert. Do not use grates, irons or any other method to elevate the fire.
21. See the listing label located on the back of fireplace (or see *Safety / Listing Label* on page 26).
22. SAVE THESE INSTRUCTIONS.

## TABLE OF CONTENTS

Important Warnings .....	2
Testing / Listing, EPA, Using this Manual.....	3
Planning Your Installation .....	4-7
Installation .....	8-12
Product Features and Controls .....	12
Care and Operation .....	13-15
Recommended Fuel .....	16
Maintenance .....	16-18
Troubleshooting .....	19-20
Specifications.....	21
Replacement Parts List.....	22-24
Optional Accessories .....	25
Safety / Listing Label.....	26
EPA Label .....	27
Ownership Records .....	28

### TESTING / LISTING

Model 2800HT has been tested to UL Standards UL1482, ULC-5627 for installation into residential applications. The listing laboratory is OMNI Test Laboratories Inc, Beaverton, Oregon, Report #030-5-06-2.

### EPA CERTIFICATION

This fireplace insert has been tested to rigorous emissions standard, and has been certified by the Environmental Protection Agency.

### PACKAGING LIST

This appliance is packaged with an accessory package, which contains the following:

- One - Installation and operation instructions manual.
- One - Warranty
- One - Marble set (for stove top and ash lip).
- One - Insulation pad and strips. Place pad under top marble and strips under ash lip marble.

### USING THIS MANUAL

Please read and carefully follow all of the instructions found in this manual. Please pay special attention to the safety instructions provided in this manual. The Homeowner's Care and Operation Instructions included here will assure you have many years of dependable and enjoyable service from your appliance.

**CONGRATULATIONS ON THE PURCHASE OF YOUR NEW WOOD BURNING FIREPLACE INSERT MANUFACTURED BY LENNOX HEARTH PRODUCTS.**

When you purchased your new insert, you joined the ranks of thousands of concerned individuals whose answer to their home heating needs reflects their concern for aesthetics, efficiency and our environment. We extend our continued support to help you achieve the maximum benefit and enjoyment available from your new insert.

It is our goal at Lennox Hearth Products to provide you, our valued customer, with an appliance that will ensure you years of trouble free warmth and pleasure.

Thank you for selecting a Lennox Hearth Products stove as the answer to your home heating needs.

Sincerely,  
All of us at Lennox Hearth Products

## PLANNING YOUR INSTALLATION

### QUESTIONS TO ASK LOCAL BUILDING OFFICIAL

A correct installation is critical and imperative for reducing fire hazards and perilous conditions that can arise when wood burning appliances are improperly installed. The installer must follow all of the manufacturer's instructions.

The installation of a wood burning appliance must conform to local codes and applicable state and federal requirements. Familiarity with these requirements before installation is essential. Important considerations to discuss with local building officials include:

1. Applicable codes (i.e. Uniform Mechanical Code, State or Regional Codes)

Electrical codes: The blower system has a flexible electrical cord that must be electrically grounded per local codes or per electrical codes:

In USA, NEC, ANSI / NFPA 70-1987.

In Canada, CSA C22.1

**WARNING: ELECTRICAL GROUNDING INSTRUCTIONS: THIS APPLIANCE IS EQUIPPED WITH A THREE-PRONG (GROUNDING) PLUG FOR YOUR PROTECTION AGAINST SHOCK HAZARD AND SHOULD BE PLUGGED DIRECTLY INTO A PROPERLY GROUNDED THREE-PRONG RECEPTACLE. DO NOT CUT OR REMOVE THE GROUNDING PRONG FROM THIS PLUG. DO NOT ROUTE POWER CORD UNDER OR IN FRONT OF APPLIANCE.**

2. Local amendments?
3. Is a permit required - cost?  
(You may wish to contact your insurance company to ask if they require this).
4. Rooms where the installation is not allowed?

### SMOKE DETECTORS

Since there are always several potential sources of fire in any home, we recommend installing smoke detectors. If possible, install the smoke detector in a hallway adjacent to the room (to reduce the possibility of occasional false activation from the heat produced by the fireplace insert). If your local code requires a smoke detector be installed within the same room, you must follow the requirements of your local code. Check with your local building department for requirements in your area.

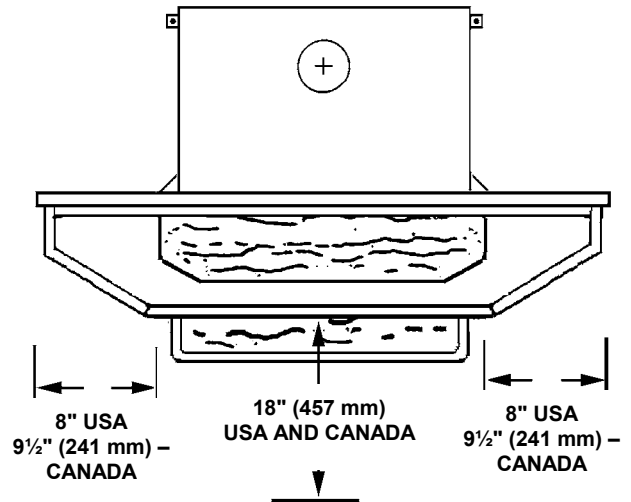
**IMPORTANT – THIS APPLIANCE IS NOT APPROVED FOR INSTALLATION INTO A MANUFACTURED (MOBILE) HOME IN CANADA OR IN THE USA.**

### FLOOR PROTECTION

This appliance requires a heat resistant non-combustible approved fireplace hearth or hearth extension. If the floor protection is to be stone, tile, brick, etc., it must be mortared or grouted to form a continuous non-combustible surface.

This protected area must extend a minimum of 18" (457 mm) to the front of the fuel door opening and 8" (203 mm) beyond both sides of the fuel door opening.

### HEARTH PROTECTION



### CHIMNEY INSPECTION

The existing fireplace should be inspected by a local fire marshal or qualified installer for adequate serviceability prior to installing this appliance.

**Factory built fireplace (not approved in Canada):** If any portion of the chimney system shows signs of structural or mechanical weaknesses, such as: cracks, leaky joints, corroded or warped surfaces. Look for obvious bulges in the lining, which may indicate the need to replace that section (use a bright flashlight. Any faulty portion must be repaired or replaced prior to installing this appliance. Also, inspect the attic to see that the chimney has proper clearance to combustible framing members.

**Masonry fireplace:** The chimney should have no cracks, loose mortar, other signs of deterioration, or blockage. Any necessary repairs should be done by a qualified mason.

If the existing fireplace flue system is dirty or has some obstruction in it, clean it. A dirty chimney can cause your insert to smoke when refueling, and can result in a chimney fire. An oversized chimney may result in less than optimum performance. Installations into a large masonry chimney may require a liner to improve performance.

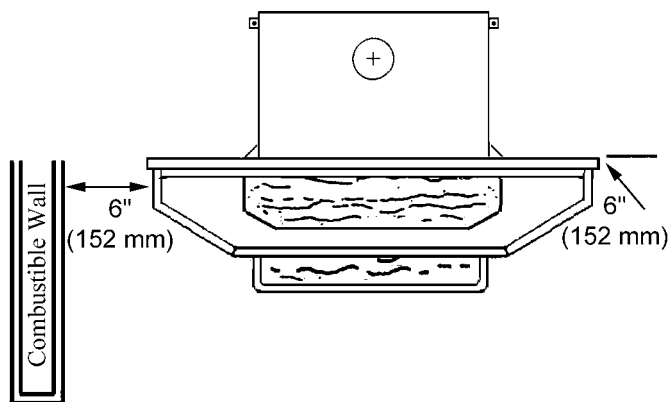
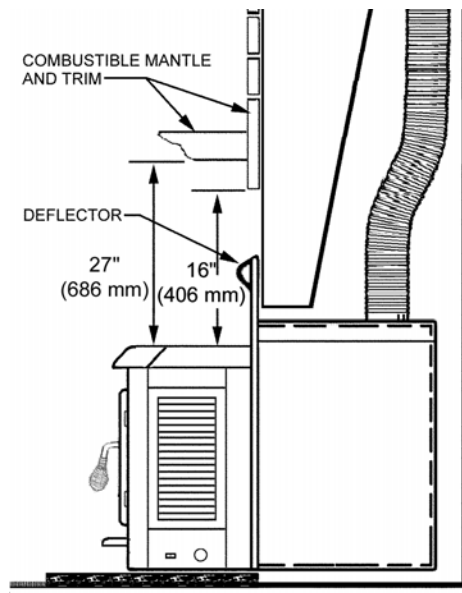
## PLANNING YOUR INSTALLATION

### CLEARANCES

**WARNING: IT IS VERY IMPORTANT THAT YOU OBSERVE THE MINIMUM CLEARANCES. DO NOT STORE FIREWOOD WITHIN THIS CLEARANCE SPACE. FAILURE TO MAINTAIN CLEARANCES TO ALL COMBUSTIBLES MAY RESULT IN A HOUSE FIRE.**

There are listed clearances for your fireplace insert, which were determined in a Laboratory testing and must be maintained.

Stove top to mantel:	27" (686 mm)
Stove top to trim:	16" (406 mm)
Stove side to trim:	6" (152 mm)
Stove side to sidewall:	6" (152 mm)



For installation with a combustible mantel or top trim, Part #16101 deflector must be installed.

### DRAFT REQUIREMENTS

The appliance is merely one component of a larger system. The other equally important component is the venting system. This is necessary for achieving the required flow of combustion air to the fire chamber and for safely removing unwanted combustion byproducts from the appliance. If the venting system's design does not promote these ends, the system may not function properly. Poorly functioning venting systems may create performance problems as well as be a safety hazard (i.e. an oversized chimney may result in less than optimum performance. Installations into a large, masonry chimney may require a liner to improve performance). A draft test should read greater than .04' W.C. (inches water column) and less than .08" W.C.

*American National Standards Institute ANSI/NFPA 211-92, draft 1-7: A chimney or vent shall be so designed and constructed to develop a flow sufficient to completely remove all flue and vent gases to the outside atmosphere. The venting system shall satisfy the draft requirements of the connected appliance in accordance with the manufacturer's instructions.*

### PROVIDE ADEQUATE AIR FOR COMBUSTION

In well insulated and weather tight homes, it may be difficult to establish a good draft up your chimney. The poor draft is caused by a shortage of air in the house. To provide the needed air, crack a window on the windward side of the house.

### VENTILATION REQUIREMENTS

**THE FRESH AIR REQUIREMENTS OF THIS APPLIANCE MUST BE MET WITHIN THE SPACE WHERE IT WILL BE INSTALLED.**

Ventilation is essential when using a solid fuel burning heater. The combustion process of this heater uses oxygen from inside the dwelling and it may be necessary to open a window or install a vent to provide make-up air into a dwelling that is well insulated (modern construction standards have resulted in homes that are highly energy-efficient and that allow little heat loss and air transfer). Other appliances in the dwelling also contribute to removing air from the dwelling (i.e. clothes dryers, exhaust fans, fireplaces, and other fuel burning appliances). If the available fresh air delivery in the dwelling is insufficient to support the demands of these appliances, problems can result (i.e. excessive negative pressure can develop in the dwelling which will affect the rate at which this appliance can draft. See *Draft Requirements* on this page).

## PLANNING YOUR INSTALLATION

### FACTORY BUILT FIREPLACES

#### (Not Approved In Canada)

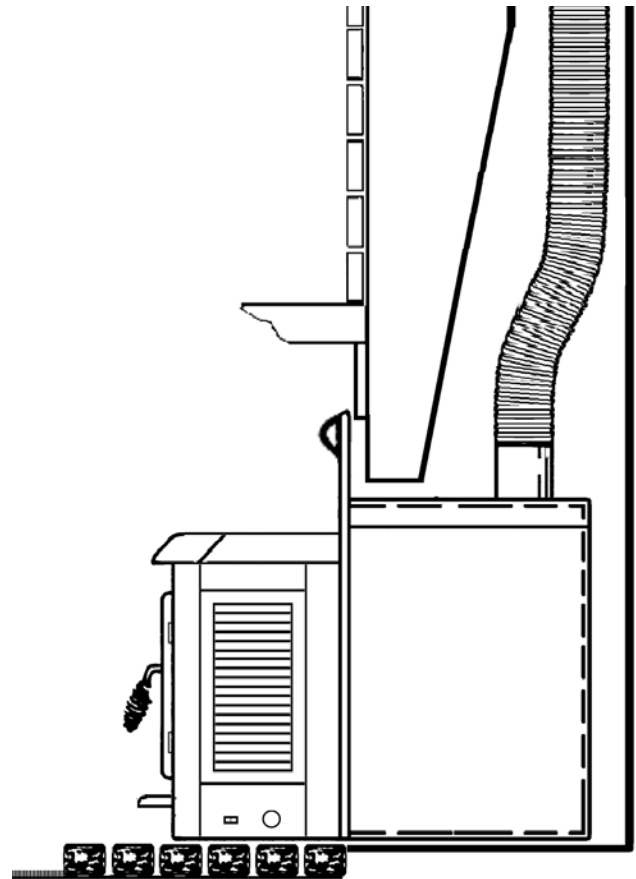
In the USA, this appliance is approved for installation into a listed factory built solid fuel burning fireplace (built to UL 127 or ULC S610 standards). The fireplace firebox must accept the insert without modification other than removing bolted or screwed together pieces such as smoke shelf / deflectors, ash lips, screen or door tracks and damper assemblies, that must be reinstalled to restore the fireplace to its original operating condition if the insert is removed and not replaced. The removal of any part must not alter the integrity or outer shell of the pre-engineered fireplace cabinet in any way.

#### Venting Requirements for factory built fireplace:

The fireplace damper must be secured in the open position. This appliance requires the use of a 6" (152 mm) diameter flex or rigid, UL1777 listed 2100° HT liner or equivalent. The liner must extend from the flue outlet of the appliance to termination. Do not face seal over fireplace chimney cooling air systems. Offsets can be handled with an offset adapter (it aligns starter pipe with fireplace flue). For more information on the offset adapter, see pages 10 and 26.

**WARNING: DO NOT SUBSTITUTE THE HEAT RATED 2100°HT LINER WITH ANY OTHER TYPE LINE OR A FIRE MAY RESULT CAUSING PROPERTY DAMAGE, PERSONAL INJURY OR LOSS OF LIFE.**

### Factory Built Fireplace Installation



## PLANNING YOUR INSTALLATION

### MASONRY FIREPLACES

This appliance is approved for installation into a masonry fireplace built to UBC 37 or ULC S628 standards. Do not remove brick or mortar from the masonry fireplace to accommodate this appliance. If the fireplace has been modified to accommodate the fireplace insert, a metal tag documenting what was modified must be attached to the fireplace (as required by Clause 5.1.11 it must be secured using screws or nails to the fireplace, in a location readily visible should the fireplace insert be removed). **The lettering shall not be less than 5 mm high.**

#### Metal Tag

THIS FIREPLACE HAS BEEN ALTERED TO ACCOMMODATE A **FIREPLACE INSERT** AND SHOULD BE INSPECTED BY A QUALIFIED PERSON PRIOR TO RE-USE AS A CONVENTIONAL FIREPLACE

**IMPORTANT: Any opening between the masonry of the fireplace and the facing masonry must be permanently sealed.**

**USA Requirements / Masonry Fireplaces** - The fireplace damper must be secured in the open position. In the USA, a flue extension past the fireplace header is required as a minimum. A preferred installation is a positive flue connection (sealing the throat of the chimney). This appliance requires the use of a 6" (152 mm) diameter flex or rigid single wall pipe, minimum 24 / 25 MSG black or blued steel connector pipe (stainless steel recommended).

**Canada Requirements / Masonry Fireplaces** - - This fireplace insert must be installed into an approved solid fuel Masonry fireplace only (installation into a factory built fireplace is not approved). The fireplace damper must be secured in the open position. The fireplace insert must be installed with a continuous chimney liner of 6" / 152 mm diameter extending from the fireplace insert to the top of the chimney. The chimney liner must conform to the Class 3 requirements of CAN / ULC – S635, Standard for Lining Systems for Existing Masonry or Factory-Built Chimneys and Vents, or CAN / ULC – S640 Standard for Lining Systems for New Masonry Chimneys.

### Offsets

Offsets can be handled with an offset adapter (it aligns starter pipe with fireplace flue). For more information on the offset adapter, see pages 10 and 26.

### FIREPLACE CHIMNEY MAXIMUM SIZE TO ENSURE PROPER DRAFT – USA ONLY

Note: Installations in Canada require a full length liner. The fireplace insert flue size is 6 inches (152 mm) diameter, which is approximately 28 square inches (711 square mm), the minimum. The maximum flue size should be no more than (3) three times the cross sectional area of the size of the fireplace insert flue collar. In this case, that would be no larger than a 10 inch (254 mm) diameter stack (area = approx. 85 sq. inches [216 sq. cm]).

Note: Formulas for calculating Area:

Calculating area of a circle:

$$\pi \times r^2 = \text{Area} \quad (\pi = 3.1416, r = 1/2 \text{ diameter})$$

To calculate area of square or rectangle:

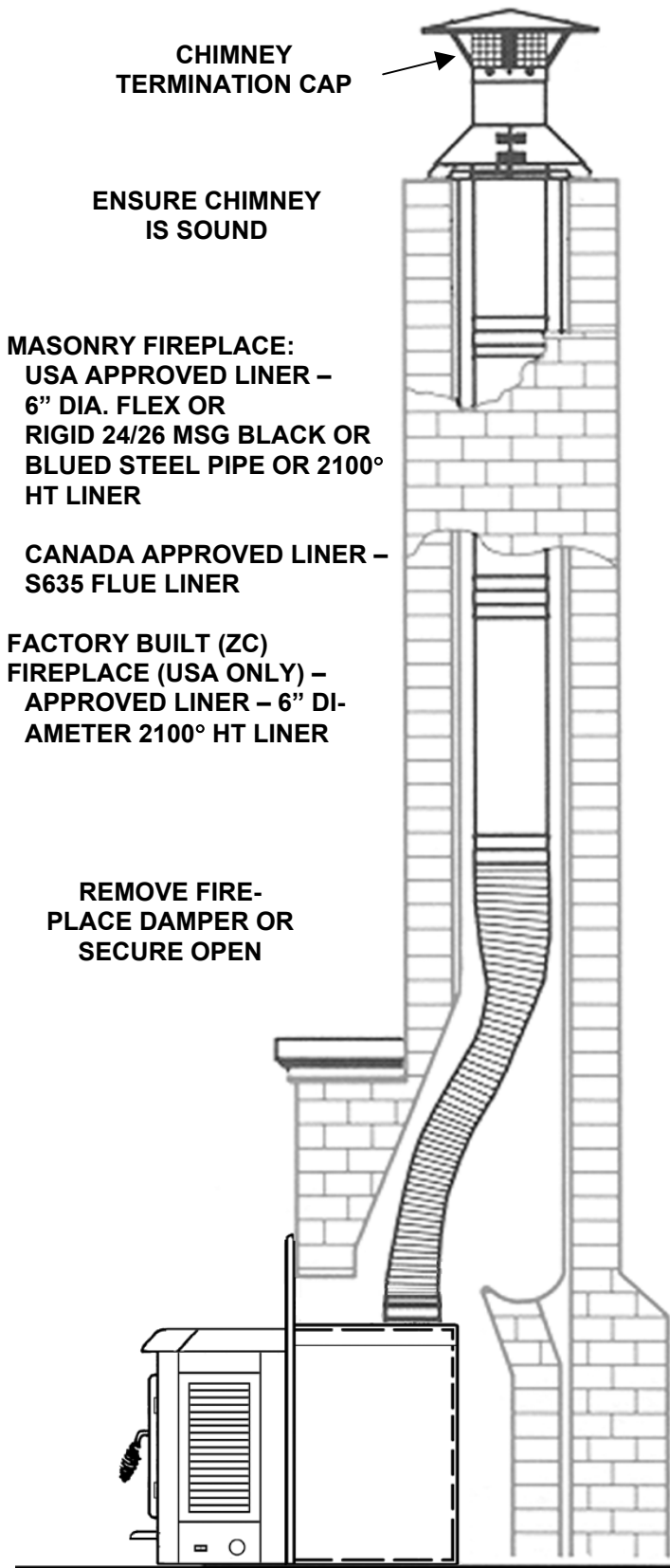
$$\text{Width} \times \text{Depth} = \text{Area}$$

### Notes:

- **It may be necessary to use a full-length liner to achieve adequate draft for the appliance. A draft gauge should read more than .04 W.C.I, but less than .08 W.C.I. for optimum performance.**
- **This appliance is approved for all heatform style fireplaces (masonry fireplace with a metal fire-box liner).**

# INSTALLATION

## FIREPLACE INSTALLATION



- USA only - All masonry fireplace installations require a minimum positive flue connection using a block-off plate or a positive seal past the bottom of the chimney flue tile liner. In Canada, a full reline is required.
- Measure fireplace size to make certain the insert will fit before considering the installation.

**MASONRY FIREPLACE REQUIREMENTS** - This appliance may be installed in a masonry fireplace with an opening height of at least 21 inches (533 mm) using Masonry Fireplace Kit P/N 14M75. Installation into a masonry fireplace with an opening of 24" (610 mm) or higher does not require this header insulation kit. See page 26 for ordering information.

**Masonry Fireplace Minimum Firebox Dimensions**  
**Minimum size required for fireplace firebox (recessed area into fireplace):**

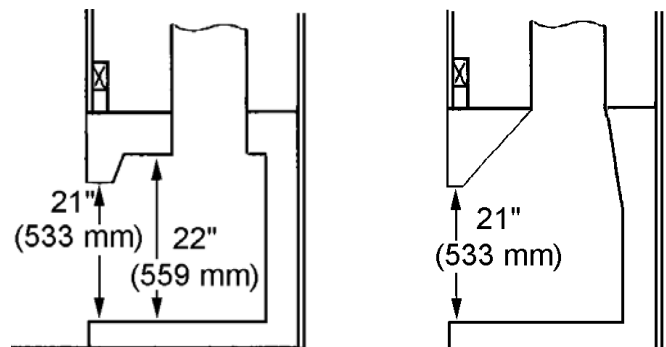
Height	21"	(533 mm)
Width at front of fireplace	24 1/4"	(616 mm)
Width at back of fireplace	23 1/4"	(591 mm)
Depth into fireplace	15 3/4"	(400 mm)

**FACTORY BUILT FIREPLACE REQUIREMENTS – Note:** In Canada, installation into a Factory Built Fireplace is not approved. When installing the 2800HT into a "high dome" or "low profile" type factory built fireplace (ZC), a ZC Fireplace kit is required (kit consists of components to insulate and allow for heat dissipation). See page 26 for ordering information.

**Factory Fireplace Minimum Firebox Dimensions**  
**Minimum size required for fireplace firebox (recessed area into fireplace):**

Min. unrestricted front opening:	21"	(533 mm)
Min. inside firebox height at flue opening:	22"	(559 mm)
Width at front of fireplace	24 1/4"	(616 mm)
Width at back of fireplace	23 1/4"	(591 mm)
Depth into fireplace	15 3/4"	(400 mm)

**Side View of Typical Factory-Built Fireplaces**



Do not face seal over chimney cooling air system.



## INSTALLATION

### POWER CORD CHANGEOVER

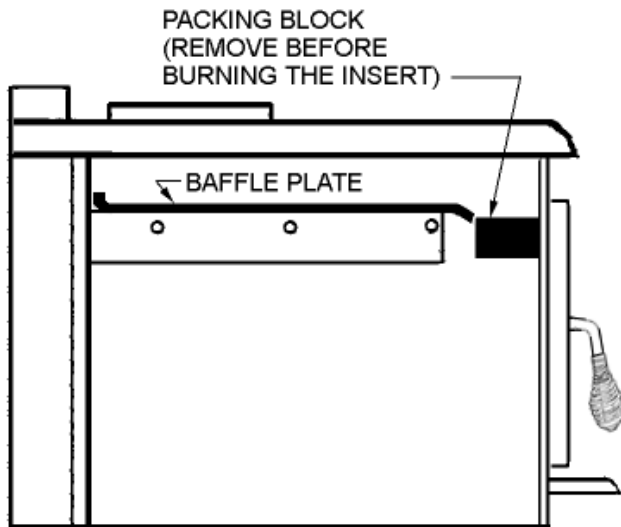
**DANGER: Risk of electrical shock. Disconnect power before servicing appliance. Do not route power cord under or in front of appliance.**

To change the power cord from one side of insert to the other, perform the following steps:

1. Ensure power cord in **NOT** plugged in.
2. Remove the louver blower panels on each side of fuel door as follows. Each panel is held in place by two ¼" (7 mm) head screws. Using a ¼" (7 mm) socket or nut driver, remove the screws
3. Remove panels by pulling them outward slightly then forward.
4. Locate terminal block on right side of appliance. Write down the locations where the black, white and green leads from the power cord are attached to the terminal block. Disconnect these three wires then re-install them onto the terminal block on the left side of appliance in the same corresponding positions (as you had written down).
5. Reinstall panels.

### BAFFLE PLATE

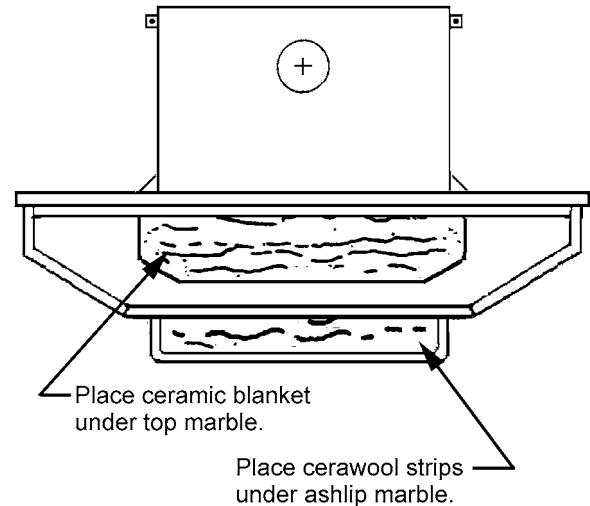
This appliance has a very heavy (60 lbs [27 kg]) 3/8" (9.5 mm) thick steel baffle that is installed directly above the secondary air tubes in the firebox. To inhibit the baffle plate from shifting during shipment, a packing block is installed at the factory (see illustration below). The packing block needs to be removed prior to burning your insert. During installation, the baffle may slide forward, and must be repositioned (pushed to the back) in order for the insert to operate properly. When in its proper position, the rear flange of the baffle plate should be flush to the back wall of the firebox.



### MARBLE

Marble is a natural product and therefore each piece will have its own unique character. Marble can be scratched so care should be taken to avoid putting heavy or rough objects (trivet / steamers) on the surface. Do not install the marble before curing the paint.

The ceramic fiber blanket and cerawool strips provided with appliance must be placed under the marble to insulate it from the high temperatures on top of the firebox. Do not place the marble directly on the top metal surface of the stove or it will crack.

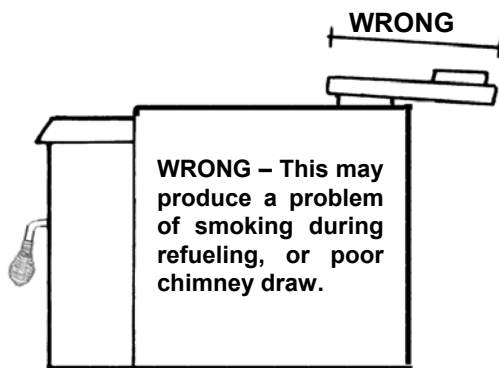
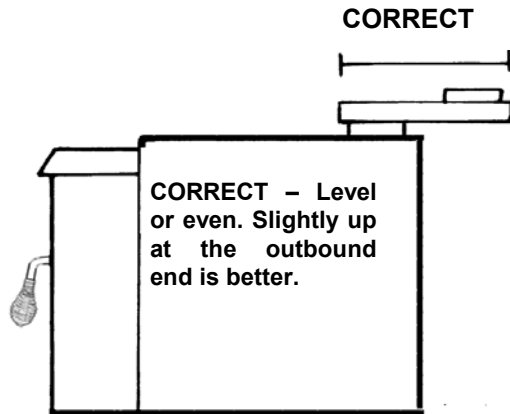


### INSTALLATION STEPS

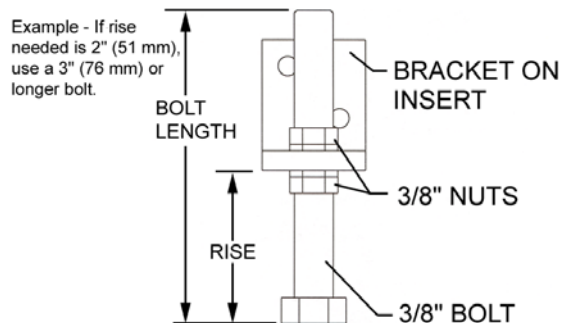
1. Remove all ashes from the fireplace.
2. Remove all materials inside the insert and set them aside.
3. Remove the three-piece surround assembly (face shield) and attach insulation material provided using a nonflammable adhesive (i.e. RTV Silicone, rated 570° F).
4. Use a large piece of cardboard or other protective material and place it in front of the fireplace to protect floor or carpet during installation.
5. Remove the insert from its wood pallet by removing the screws.
6. Prepare chimney connection system as specified for masonry or zero clearance fireplaces.
7. Set the insert on the protective cardboard laid out in front of the fireplace centered in front of the fireplace opening.
8. (Masonry Fireplace) Slide insert into the fireplace far enough to attach the starter pipe or positive flue connection (a minimum of a 6" (152 mm) starter pipe extending past the header is required). See \* note, page 11.
9. (Factory Built Fireplace – USA only) Slide insert into the fireplace far enough to attach connector to flue outlet. See \* note, page 11.

## INSTALLATION

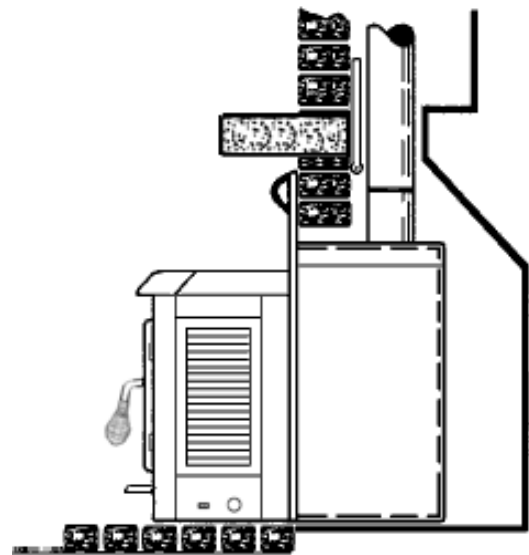
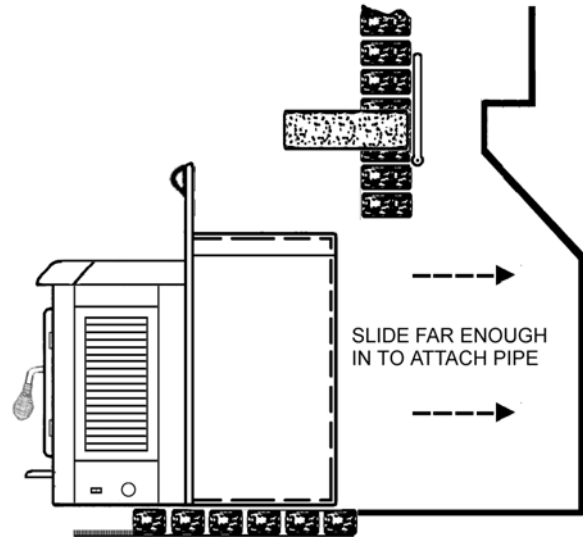
10. Offsets can be handled using an offset adapter (it aligns starter pipe with flue. See *Offset Adapter*, page 26 for ordering information). Do not push insert in completely until surround assembly is installed. Care should be used to ensure that this adjustable connector is oriented so it does not angle downhill when positioned on the flue outlet on top of insert.



11. If the floor of the fireplace is lower than the hearth, leveling bolts will need to be installed (not included with the hardware. Use a 3/8" (10 mm) bolt with 2 nuts). The bolt length should be at least 1" (25.4 mm) longer than needed. Locate the leveling bolt brackets on the sides of the insert in the back. Install the 2 leveling bolts with nuts and adjust length as needed.



12. Reaching over the top of the insert, install the starter pipe in the stove flue, or attach the positive flue connection to the insert. See \* Note, page 11.

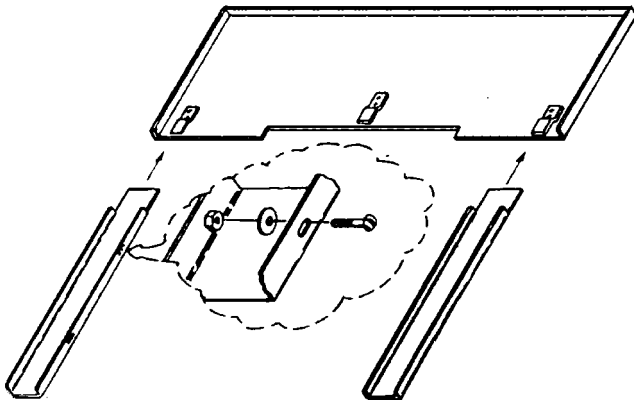


## INSTALLATION

### SURROUND ASSEMBLY

**IMPORTANT: Do not face seal over chimney cooling air system on superior brand or any brand fireplace which is designed with the chimney cooling air system.**

13. Pull the insert slightly forward to its desired position; attach the face shield using the surround clips and hardware as shown. The fiberglass insulation strips should be secured along the top and sides (step 3). Assemble the gold-tone trim using the 2 inside corner brackets. Attach trim to the face shield and stove.



Push the appliance back until face shield insulation is compressed against the fireplace front, forming a tight seal. **Test for air leaks by holding a candle around edge of face shield to see if smoke is pulled into fireplace.**

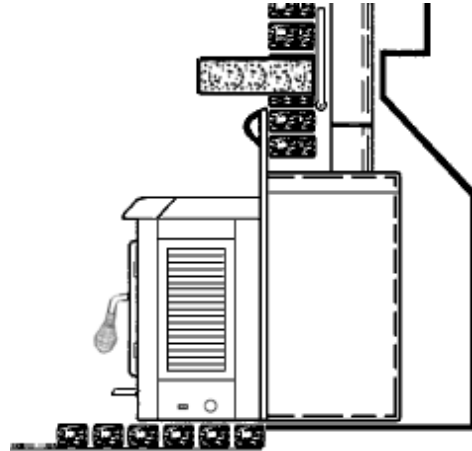
**\*Note:** Preferred method of attaching connector to flue outlet is to install two L-Brackets (1" [25.4 mm] angle bracket, 3/4" [19 mm] wide) on opposite sides of the flue outlet: Use self-tapping screws to secure in place. Cut a 1/2" (13 mm) (height) and 3/4" (19 mm) (width) notch in the front of connector (pipe, liner or adapter that will attach to flue outlet). Install connector into flue outlet and secure to angle brackets using machine screws. Seal around connection with furnace cement.

### POSITIVE FLUE CONNECTION FOR MASONRY FIREPLACE

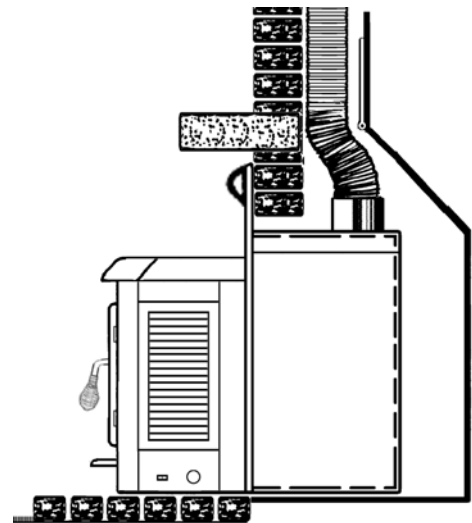
**Note: Be sure the damper is locked in the open position.**

A Professional should inspect chimney prior to installation to determine if any repairs are necessary or if a chimney reline is necessary. The fireplace damper must be secured in the open position. If this is not possible, it will be necessary to remove the damper. Installation into a masonry fireplace requires as a minimum of a flue extension past the header. This can be accomplished by one of the following methods:

***Install 6" (152 mm) smoke pipe if the chimney is located directly above the insert flue outlet.***



***(or) Install 6" (152 mm) flex pipe to achieve the same result.***



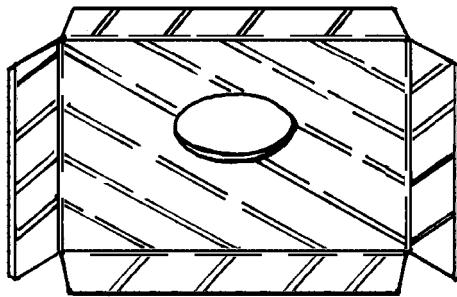
Use an offset adapter (see page 26) to handle offsets. This part is available through your dealer.

## INSTALLATION

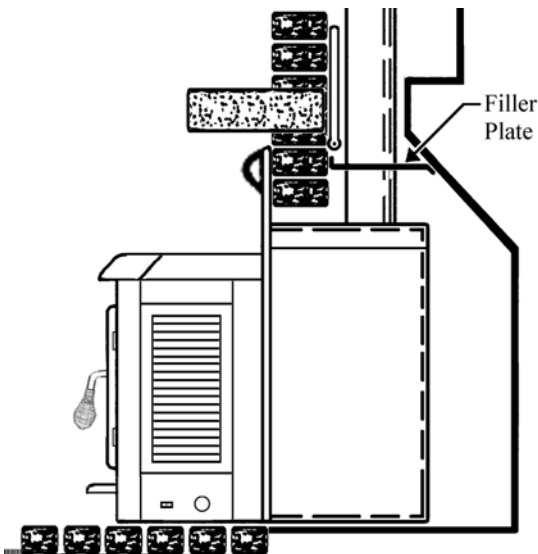
### POSITIVE FLUE CONNECTION FOR MASONRY FIREPLACE *(continued)*

A preferable installation is the positive flue connection (a positive seal between the flue extension and the chimney). This can be achieved by using a filler plate. A filler plate can be made by making a cardboard pattern to fit the fireplace throat. Lay the pattern on 22 gage steel, add 2 inches (51 mm) to each side, and cut. Snip corners and bend front lip up and sides and back down. Cut an opening for the flue. Attach filler plate with masonry screws.

Filler Plate



The starter pipe extends through the filler plate, past the damper and into the existing chimney system. Small air leaks should be sealed with high temp fiberglass or ceramic insulation.



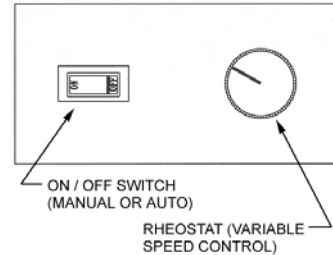
## PRODUCT FEATURES AND CONTROLS

### BLOWER SYSTEM

The 500-CFM room air circulation blower system comes equipped with a variable speed control (rheostat). The blower system can be operated manually or set to operated automatically (so the blowers will turn on when the insert is hot and turn off when the insert is cool). See Care and Operation Section – *Blower System* on page 16.

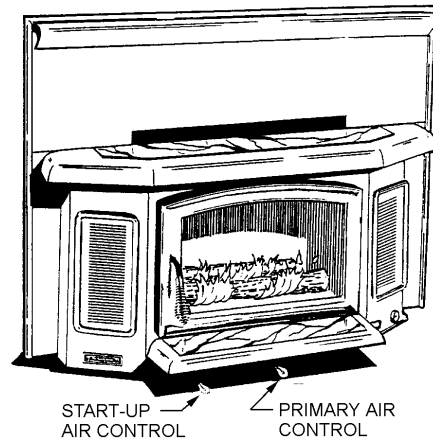
#### Blower System Controls

Located on right side of door at bottom of panel.



### PRIMARY AIR CONTROL

The primary combustion air delivery is controlled by the primary air control draft module (The control handle is located below the fuel door in the center). The heat output can be controlled by pushing the handle in for a higher burn rate or pulling it out for a lower burn rate. The fuel, the amount of heat and burn times desired, the type of installation are all variables that will affect the control setting. The same control settings in a variety of installations will produce different results. You will need to try different settings so you can learn how much heat to expect and how long the fire will burn.



### START-UP AIR CONTROL

The start-up air control provides additional air delivery to assist in establishing a draft in a cold flue system (The control handle is located below the fuel door on the left). From a cold start, approximately 10 minutes in the open position is all that is required to achieve a stable burn.

## CARE AND OPERATION

### GOLD DOOR

The doorframe is plated with 24-karat industrial grade gold and requires curing to harden the gold. Once it is cured it will never tarnish. Prior to burning this appliance the doorframe should be cleaned thoroughly with a good window cleaning solution and a soft cloth. Do not use any metal polishes or abrasives to clean the gold surface. Any oils or fingerprints left on the gold could become permanent blemishes if the stove is burned prior to their removal. After the first few fires, the gold will cure. The 3/4" (19 mm) diameter door rope gasket is made of highly durable high temperature resistant material. It must be kept in good condition. Do not leave the stove burning with the door ajar or open. Leaving the door ajar or open while the stove is burning will cause excessive heat build up in the stove (overfiring) and could ignite surrounding combustibles as well as damage the stove (such damage is not covered by the manufacturer's warranty).

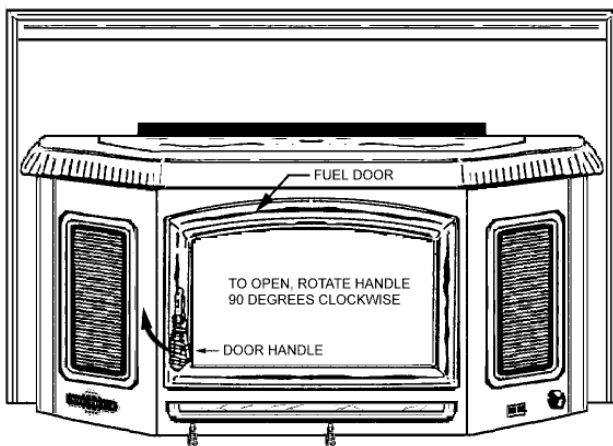
### DOOR OPERATION

**CAUTION: WHEN OPENING THE DOOR, DO NOT EXTEND IT BEYOND ITS NORMAL TRAVEL. OVEREXTENDING THE DOOR TO A FURTHER OPEN POSITION CAN PUT EXCESSIVE STRESS ON HINGE AREA OF DOOR AND HINGE PINS AND MAY RESULT IN BREAKAGE.**

The door handle assembly is used to open and close the fuel door assembly as follows:

**To open the fuel door** - Rotate the coil handle from the 6:00 position toward the 9:00 position, until door releases (see illustration below).

**To close the fuel door** - Push door closed with the handle positioned in the 9:00 position. While pressing in, rotate the handle to the 6:00 position.



### GLASS

The glass is a super heat resistant ceramic that withstands continuous temperatures up to 1390° F. This temperature is well beyond the temperatures in which you operate your fireplace insert.

This appliance is designed to provide a flow of air over the inside of the glass, where along with high heat helps keep it clean. When operating the fireplace insert on low for extended periods of time, the glass may get dirty. A short, hot fire (15 - 20 minutes) will help clean off much of the normal buildup (see *Troubleshooting*, pages 19-20). A commercial glass cleaner designed for fireplace inserts is recommended for cleaning.

***The glass should be cleaned thoroughly with glass cleaner and a soft cloth BEFORE the fireplace insert is burned.***

### DOOR GASKET

The door gasket must be kept in good condition. Do not leave the stove ajar burning with the door ajar or open. Leaving the door ajar or open while the stove is burning will cause excessive heat build up in the stove (overfiring) and could ignite surrounding combustibles as well as damage the stove (such damage is not covered by the manufacturer's warranty).

### BREAK-IN PERIOD

Your fireplace insert finish is a high temperature paint that requires time and temperature to completely cure. We recommend that you ventilate the house during the initial burns. The paint emits non-toxic odors during this process.

**KEEP YOUR HOUSE WELL VENTILATED DURING THE CURING PROCESS TO PREVENT ACTIVATION OF YOUR HOME SMOKE DETECTOR.**

The paint manufacturer recommends three burn cycles to cure the paint. The first two burns should be low heat, approximately 250°F., for 20 minutes each, using paper and light kindling.

After each 20-minute burn, allow the appliance to cool completely. The third burn should be at least medium high or about 450°F. for 45 - 60 minutes. The paint will become soft and emit non-toxic haze during these burns. Keep the area well ventilated.

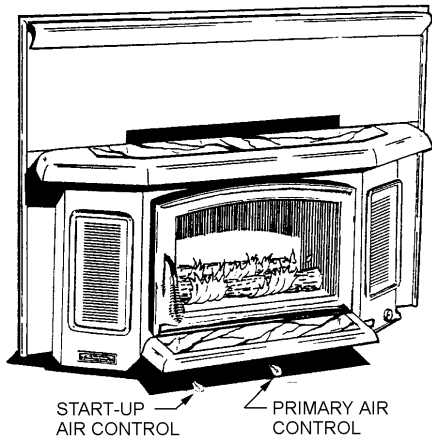
As the paint cures it will become slightly lighter in color. Eventually the entire surface will become an even color. Once the paint has been softened and cooled two or three times, it will harden. Do not turn on a blower during the curing process.

Do not place anything on the fireplace insert surface until the paint is completely cured. Do not attempt to repaint the fireplace insert until the paint is completely cured. If the surface later becomes stained or marred, it may be lightly sanded and touched up with spray paint from the same paint manufacturer (See *Maintenance – Small Area Paint Touch-up*, page 16). Paint is available at your local authorized Lennox Hearth Products dealer. Never attempt to paint a hot stove.

## CARE AND OPERATION

### AIR DRAFT CONTROLS

This appliance has two combustion air controls located under the hearth extension. The control on the left is the Start-Up Air Control. The control in the center is the Primary Air Control.



#### Start-Up Air Control

To provide sufficient combustion air to achieve a clean burn as quickly as possible, the 2800HT supplements its primary air with a separate "Start-Up" supply. This control should be used only when starting a fire or when refueling. The start up air enters the stove at the rear of the firebox and is controlled by the Start-Up Air Control rod on the left.

From a cold start, approximately 10 minutes in the open position is all that is required to achieve a stable burn.

**CAUTION: OPERATION OF THE APPLIANCE WITH THE START-UP AIR CONTROL IN THE "OPEN" POSITION (PULLED OUT) FOR EXTENDED PERIODS, WASTES FUEL AND CAN CAUSE DANGEROUS OVERFIRING CONDITIONS.**

#### PRIMARY AIR CONTROL

Once the fuel load is well ignited, the Primary Air Control is all that is needed to vary the burn rate in the insert. Push in for a high burn rate; pull out for a slower burn rate.

#### USE CONTROL SETTINGS THAT WORK FOR YOU

The fuel, the amount of heat you want, the type of installation you have and how long you wish the fire to burn are all variables that will affect the control setting. The same control settings in a variety of installations will produce different results.

Familiarize yourself with your fireplace insert by trying different settings so you can learn how much heat to expect and how long the fire will burn. It may take a week or two to learn but your patience will be rewarded by the warmth and pleasant satisfaction that only a wood fire can provide.

### HOW TO START AND MAINTAIN A FIRE

1. Set the primary air control to the open position (push in).
2. Set the start-up air control to the open position (pull out).
3. Build a fire directly on the firebrick covering the bottom of the stove.
  - a. Place two or three loosely crumpled sheets of newspaper in the insert firebox.
  - b. Add a small amount of dry kindling randomly on the top of the newspaper.
  - c. Place one or two more loosely crumpled newspapers on top of the kindling and light the bottom paper first, then light the top paper.
4. Once the kindling is ignited and burning on its own, close the fuel door. The upper fire should help pre-heat the chimney and create an effective draft while the lower fire ignites the kindling.
5. When the kindling is burning well, add increasingly larger pieces of wood until the fire is actively burning and a coal bed develops. By keeping both air controls open for approximately 10 minutes, the fuel and the insert will quickly come up to ideal operating temperatures producing the highest combustion efficiency and least emissions.
6. Close the start-up air control (push in).

**CAUTION: THIS CONTROL SHOULD ONLY BE USED DURING START UP AND REFUELING.**

7. Set the primary air control to the desired setting. The insert will now provide clean, efficient and safe heat for your home.

#### REFUELING

To refuel the insert, first move the primary air control to high. Let the fire "liven up" for about one minute. Open the fuel door about 1/2" (1 cm) and hold in this position about 30 seconds or until insert is drafting well. Open the door and add wood. If the fire or coal bed is almost depleted and a full load of cordwood is added, it may be necessary to open the start-up air control to re-establish a lively fire. The use of start-up air should only be used for a short period.

**NOTE:** After refueling and the wood is burning at a brisk rate, reset the primary air control to the desired position and close the start-up air control.

## CARE AND OPERATION

### BLOWER SYSTEM

The Blower System consists of a ON / OFF rocker switch, a variable speed blower speed control switch (rheostat) located on the right side panel, a thermally activated switch (fan disc) and 4 axial blowers.

When starting a fire, leave the blower system off until the insert is thoroughly heated (approx. 30 minutes after start up).

The blowers can be operated in one of the following manners:

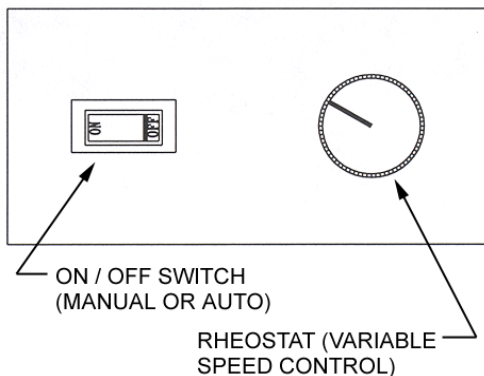
**Auto:** Turn rocker switch to the off position ( "O" = off, "—" = on). Turn the rheostat to the on position by rotating the rheostat dial clockwise until it clicks. When the insert warms up (110° F), the blower will automatically turn on (adjust rheostat dial to the desired speed setting). When the insert cools down (90° F), the blowers will automatically turn off.

**Manual:** Turn rocker switch to the on ( — ) position and adjust rheostat dial to the desired speed. The blowers will have to be manually turned off by rotating the rheostat dial counter-clockwise until it clicks.

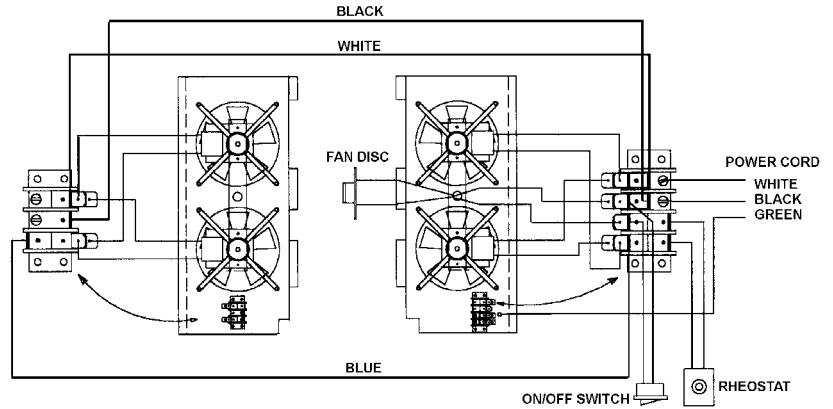
**BLOWER SPECIFICATIONS:** 115 V, 60 Hz, two axial blowers - .42 amps each, 125 CFM each. Blower system has a flexible electrical cord that must be electrically grounded per local codes or NEC, ANSI / NFPA 70-latest edition. Do not route the power cord under or in front of the appliance.

### Blower System Controls

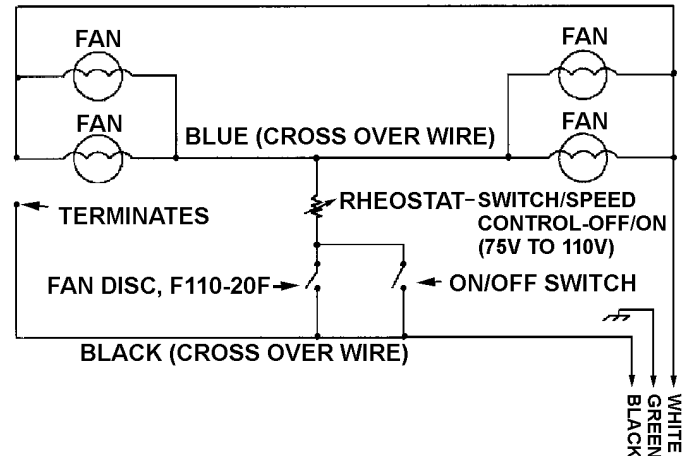
*Located on right side of door at bottom of panel*



### WIRING DIAGRAM



### POWER FLOW DIAGRAM



**CAUTION: BURNING THE INSERT AT A HIGH BURN RATE FOR EXTENDED PERIODS WITHOUT RUNNING THE BLOWERS CAN CAUSE EXCESSIVE TEMPERATURES RESULTING IN OVERFIRING DAMAGE TO THE APPLIANCE. EXCESSIVE HEAT WILL CAUSE THE PROPELLERS ON THE BLOWERS TO MELT. IF THIS OCCURS, REPLACE PROPELLERS AND REVIEW THESE INSTRUCTIONS FOR PROPER OPERATION (PROPELLER PART / CATALOG #410-25-3. SOME PEOPLE PREFER METAL PROPELLERS, WHICH ARE AVAILABLE THROUGH GRAINGER, STOCK #2C953. BE ADVISED THAT THESE ARE NOISIER THAN STANDARD PLASTIC BLADES). OVERFIRING DAMAGE IS NOT COVERED UNDER THE 5 YEAR PRORATED WARRANTY.**

**WARNING: THIS APPLIANCE IS EQUIPPED WITH A BLOWER SYSTEM WHICH HAS A FLEXIBLE ELECTRICAL POWER CORD WITH A THREE-PRONG (GROUNDING) PLUG FOR YOUR PROTECTION AGAINST SHOCK HAZARD AND SHOULD BE PLUGGED DIRECTLY INTO A PROPERLY GROUNDED THREE-PRONG RECEPTACLE PER LOCAL CODES OR NEC, ANSI / NFPA 70 - LATEST EDITION. DO NOT CUT OR REMOVE THE GROUNDING PRONG FROM THE POWER CORD PLUG. DO NOT ROUTE POWER CORD UNDER OR IN FRONT OF APPLIANCE.**

## FUEL

### BURN RECOMMENDED FUEL

This appliance is approved for use with wood only. Use only natural dry untreated wood (see *Important Warnings*, page 2, #10). Do not burn particleboard scraps or pressed logs using bonding agents because they can produce conditions which will deteriorate metal. Green or uncured wood does not work well as fuel, and can cause increased creosote buildups. The value of green wood as a source of heat is limited. Do not overload or use kindling wood or mill ends as primary fuel as this may cause overfiring. Overfiring is a condition where excessive temperatures are reached, beyond the design capabilities of the stove. The damage that occurs from overfiring is not covered under the stove warranty.

**WARNING: BURNING IMPROPER FUEL (I.E. CHARCOAL) CAN RESULT IN CARBON MONOXIDE POISONING WHICH MAY LEAD TO DEATH!**

**CARBON MONOXIDE POISONING - EARLY SIGNS OF CARBON MONOXIDE POISONING RESEMBLES THE FLU WITH HEADACHES, DIZZINESS, OR NAUSEA. IF YOU HAVE THESE SIGNS, GET FRESH AIR AT ONCE! HAVE THE HEATER INSPECTED BY A QUALIFIED SERVICE TECHNICIAN. SOME PEOPLE ARE MORE AFFECTED BY CARBON MONOXIDE THAN OTHERS. THESE INCLUDE PREGNANT WOMEN, PEOPLE WITH HEART OR LUNG DISEASE OR ANEMIA, THOSE UNDER THE INFLUENCE OF ALCOHOL, AND THOSE AT HIGH ALTITUDES.**

### WHY SEASONED WOOD?

The key to the success of a good fire that produces heat from a wood burning insert is the wood. It needs to be well-seasoned natural wood.

What does "Well-Seasoned" mean?

When a tree is cut down, the wood is green, full of sap and moisture. This moisture content can exceed 80%, which must be reduced to less than 20%. Wood properly seasoned is then capable of generating the heat the fireplace insert was designed to provide.

Green wood does not burn easily. Attempting to burn green wood often results in a lot of smoke and very little fire. Time is the most important factor in seasoning wood. Ideally the moisture content should be reduced to 11-20%, although very few of us will be able to check that figure. There are several steps that should be taken to ensure that that you come close to these figures.

## MAINTENANCE

### SEASONING GUIDE

Softwoods – 6 months to 18 months

Hardwoods – 12 months to 24 months

Logs that are 5" (127 mm) diameter across or larger should be split in half, three pieces if over 8 inches (203 mm), and four pieces when over a foot across. If the tree fell 2 to 4 years ago, it still needs to be cut, split, and seasoned for 6 to 24 months depending on the wood.

### WOOD STORAGE

Wood to be seasoned should be stacked in an area open enough to ensure good air circulation on both sides – leaving adequate space between woodpiles to walk comfortable. Do not stack wood against a wall or building.

It helps to elevate the woodpiles off the ground (two 2 x 4's running lengthwise beneath the woodpile works well). This allows air to flow under the bottom logs. Wood that is kept outdoors, either covered with a tarp, or not covered at all, will not burn well until it has been in an enclosed space for one to two months.

### SMALL AREA PAINT TOUCH-UP

The stove body is painted with a quality high-temperature stove paint. Use only model TSPK-B Stove Paint, Catalog # 70K99. Do not touch-up your stove with any other paint.

Using one small piece of 320 grit sand paper and lightly sand the blemish so that the edges are "feathered" or smooth to the touch between the painted and bare surfaces. Do not let the sand paper gum up with paint, as this will cause scratches on the metal surface. If there are any scratches, use 600 grit sandpaper instead. Mask off surfaces you do not want painted. Paint lightly over the bare surface first as this will act as an undercoat. Then paint over a larger area in smooth even strokes to blend. See Break-In Period on page 13 for information on curing the paint.

### FIREBRICK

The firebrick should be inspected periodically and replaced if damaged (crumbling or excessively cracked).

### ASH REMOVAL AND DISPOSAL

**CAUTION: MAKE SURE THAT THE FIRE IS OUT AND THE STOVE IS COLD BEFORE REMOVING ASHES!**

Ashes can hold live embers for several days, and must be disposed of with care.

NEVER place ashes in a cardboard box or any other combustible receptacle.

### Proper Disposal of Ashes:

Ashes should be placed in a metal container with a tight fitting lid. The closed container of ashes should be placed on a noncombustible floor or on the ground, well away from all combustible materials, pending final disposal. If the ashes are disposed of by burial in soil or other wise locally dispersed, they should be retained in the closed container until all cinders have thoroughly cooled.



## MAINTENANCE

### DOOR GASKET

A spun fiberglass gasket (3/4" [19 mm] in diameter) provides the seal around the fuel door. Should this become frayed or damaged it should be replaced. Spun fiberglass "rope" gasketing can be purchased from your dealer. It must be the same diameter as the original. Use high temperature silicone sealer as an adhesive, which can also be purchased from your dealer.

**WARNING! THE GASKETS MUST BE KEPT IN GOOD CONDITION. DO NOT LEAVE THE STOVE BURNING WITH THE DOOR OPEN OR AJAR (OTHER THAN START UP AND REFUELING AS DEFINED IN THIS MANUAL). THIS WILL CAUSE EXCESSIVE HEAT BUILD UP IN THE APPLIANCE AND COULD IGNITE SURROUNDING COMBUSTIBLES AS WELL AS DAMAGE THE STOVE BY OVERFIRING IT. OVERFIRING IS A CONDITION WHERE EXCESSIVE TEMPERATURES ARE REACHED, BEYOND THE DESIGN CAPABILITIES OF THE STOVE (SUCH DAMAGE IS NOT COVERED BY THE MANUFACTURER'S WARRANTY).**

### SERVICING GLASS

**CAUTION: BE CAREFUL NOT TO ABUSE DOOR ASSEMBLY BY STRIKING OR SLAMMING IT. IF THE DOOR ASSEMBLY OR GLASS IS BROKEN OR DAMAGED, THEY MUST BE REPLACED BEFORE HEATER CAN BE SAFELY OPERATED. USE ONLY COMPONENTS PROVIDED BY THE MANUFACTURER AS REPLACEMENT PARTS.**

**Cleaning Glass:** Ensure stove is cold prior to cleaning glass. A commercial glass cleaner designed for stoves is recommended. Do not use abrasive cleaners.

#### Replacing Glass:

1. Remove door from stove by lifting door up and off hinge pins: Place the door on a flat protected (towel) clean flat surface with the inside of the door facing up. Remove the glass clips (by removing screws holding clips), then carefully remove broken glass one piece at a time (protective gloves are recommended).
2. Clean area where the glass with gasket will be installed.
3. Install new glass with gasket (use only factory 5-mm glass with glass channel gasket. Do not substitute). Carefully reinstall glass clips. Be very careful not to overtighten screws.
4. Reinstall door.

### CLEANING BLOWERS

The blowers require inspection and cleaning annually to remove lint, dust, etc. If there are pets in the dwelling, the blowers should be cleaned at least twice a year. To access, remove blower covers (remove the two 1/4" [7 mm] hex head screws on each panel), then inspect propellers (replace if cracked, broken or melted) and vacuum out lint, dust, and debris.

### CREOSOTE FORMATION AND NEED FOR REMOVAL

**What is Creosote** - When wood is burned slowly, it produces tar and other organic vapors, which combine with expelled moisture to form creosote. The creosote vapors condense in the relatively cool chimney flue of a slow-burning fire. As a result, creosote residue accumulates on the flue lining. When ignited this creosote makes an extremely hot fire. Also, creosote deposits tend to form in long runs of venting where gases become too cool prior to exhausting. Note: Single wall pipe cools rapidly, therefore installations using this type of flue are more susceptible to creosote deposits.

To inhibit the build up of creosote, adjust the primary air control to a medium-high or high setting for a 10-minute period each day. Do not attempt to burn out heavy creosote accumulations in this manner. This must be removed from the chimney by scraping or brushing to reduce the risk of a chimney fire.

**Burn Approved Fuel Only** - This stove is approved for burning dry seasoned natural wood only. Using green or inadequately seasoned wood may increase creosote buildup.

#### Removal of Fireplace Insert for Inspection:

Pull Fireplace insert forward until the screws securing the flue connection can be accessed. Detach flue by removing screws. Pull unit forward and out of fireplace. Inspect the chimney and chimney connector as follows:

**Inspection Frequency** - The chimney connector and chimney should be inspected at least twice monthly during the heating season to determine if a creosote buildup has occurred. If creosote has accumulated it should be removed to reduce the risk of a chimney fire.

To reinstall insert follow instructions on pages 9 and 10 (instructions # 8 through 12).

## MAINTENANCE

**Cleaning** – If the chimney is to be cleaned without removing the insert from the fireplace, the baffle plate (in the firebox) must first be removed. Chimney cleaning should only be done by a qualified chimney sweep. See following – *Cleaning / Removing Baffle Plate*.

**Cleaning / Removing Baffle Plate** - To remove, locate the 3 secondary air tubes, which support the baffle in the upper firebox. They are secured in place by one bolt each at the point where they meet the left wall. Remove bolt and slide tube to the right until it releases. Remove all 3 tubes this way. Next slide the baffle plate all the way to one side until it will drop diagonally into lower firebox. Remove baffle plate through door opening (diagonally).

**WARNING! DO NOT OPERATE THE INSERT WITHOUT THE BAFFLE PLATE PROPERLY INSTALLED. THIS WILL VOID WARRANTY**

**In the event of a chimney fire** - Make sure the fuel door is securely closed. Adjust the primary air control to the lowest (most closed) setting. Call the fire department immediately. After a chimney fire, the complete chimney system should be checked by a qualified technician before further use.

Consult your dealer for suggestions on proper chimney care. Contact your local municipal or provincial fire authority for information on how to handle a chimney fire. Have a clearly understood plan for handling a chimney fire.

### REINSTALL BAFFLE PLATE

After your chimney has been swept, reinstall the baffle plate. See – *Cleaning / Removing Baffle Plate* above and reverse steps.

## TROUBLESHOOTING

### \* **SMOKES OUT FUEL DOOR WHEN OPEN**

1. The primary air control is closed.
2. The chimney is too cool. Set the primary air control on HIGH setting with start-up control OPEN for a few minutes before opening the fuel door.
3. Excess creosote will not only restrict your draft but it will create a risk of a creosote fire. Strictly adhere to maintenance requirements as outlined in this manual. If excess creosote has built up on the inside of the firebox sides and door, burn a small hot fire at intervals that are more frequent with start-up control open and primary air control on high for a few minutes.
4. Deposits may have built up in the chimney and are restricting the draft, or the spark arrester on top of the chimney may be plugged.
5. Chimney diameter too large or too small to provide adequate draft.
6. The house is too airtight (usually takes 20 to 30 minutes for problem to appear as stove lowers air pressure in house). Crack a window open or provide an outside source of air near insert.
7. Insufficient vertical height to chimney to achieve adequate draft.

### **DOES NOT PRODUCE ENOUGH HEAT**

1. Using green or insufficiently cured wood.
2. Excessive draft.
3. High ceilings (heat rises quickly, but can be recirculated by a well-placed ceiling fan with a winter / summer switch).
4. The area to heat is too large (square foot heating estimates are based on "average" climates and home design.)
5. There is an obstruction in the chimney.
6. The chimney or chimney cap is restricted by creosote preventing enough draw to sustain a "high" heat output rate.

### \* **DOES NOT MAINTAIN A FIRE**

1. Soft wood does not burn as long or as well as seasoned hardwood resulting in a short burn time.
2. Wood size too small. Burns at too rapid a rate.
3. The gasket seal on the fuel door or glass is leaking air. Repair or replace it if necessary.
4. Excessive Draft.
5. There may be an obstruction in the chimney.

### \* **BACKPUFFING**

1. Downdraft in the chimney (a special wind cap may be needed).
2. The house is too airtight (ventilation is needed).
3. Insufficient vertical height to chimney to achieve adequate draft.

### **ODORS**

1. Creosote accumulation in firebox (brush out on next cleaning).
2. Chimney downdraft when stove is not operating (close the primary air control).
3. Paint curing on first several burns.

### \* **DIRTY GLASS**

1. Poor draft conditions.
2. Long burn periods at low draft settings.
3. Burning wet, pitchy or spongy wood.
4. Poorly arranged logs (too close to glass).

- \* **Draft problems -- If installing into a larger flue, it may be necessary to use a full-length liner to achieve adequate draft for the appliance. A draft gauge should read a minimum of .05" w.c. (inches water column) not to exceed .07" w.c. for optimum performance (See *Draft Requirements*, page 5).**

## TROUBLESHOOTING

### **OVERFIRING DAMAGE**

If the heater or chimney connector glows, you are overfiring. Other symptoms may include: Cracking, warping or burning out of components, glass door may turn color, stove glass may develop a haze, which will not come off with cleaning.

Overfiring of a stove is a condition where excessive temperatures are reached, beyond the design capabilities of the appliance. The damage that occurs from overfiring is not covered under the MANUFACTURER'S limited warranty.

The following are a few conditions that should be evaluated (and corrected, if necessary) if an overfiring condition is suspected:

**Overfiring Caused From Improper Installation** - Ensure that all installation requirements have been met as outlined in the installation manual. The chimney should be clean and in good repair. A draft test should be performed to determine if the draft requirements of the appliance are being met. A draft gauge should read between .05 and .07 inches water column (" W.C.). Excessive draft (above .07 " W.C.) will allow too much combustion air to be pulled in which results in hotter burns. Too little draft (below .05 " W.C.) will not allow enough combustion air delivery to maintain a fire (this may result in improper operation of appliance, i.e. won't maintain fire unless fuel door is left open. See below, *Overfiring Caused From Improper Operation* on this page.

**Overfiring Caused From Improper Operation** - Operate this appliance only as outlined in this manual. Never burn the appliance with the fuel door open or ajar. Do not operate this stove with the primary air control in the "high" position (pushed in) for extended periods. This wastes fuel and can cause dangerous overfiring conditions. NEVER leave the stove unattended on high settings. Operation of the appliance with the Start-Up Air Control in the open (pulled out) position for extended periods can cause dangerous overfiring conditions.

**Overfiring Caused from Improper Maintenance** - Strictly adhere to all maintenance requirements at frequent intervals as prescribed in this manual including cleaning of flue and stove. Should the fuel door or glass gaskets become worn or damaged, they should be replaced.

**Overfiring Caused From Improper Fuel** - This appliance is approved for use with natural dry well seasoned wood only (ask your authorized dealer what are approved fuels for your area). Do not burn garbage, particleboard scraps, or pressed logs using bonding agents because they can produce conditions that will deteriorate metal. Do not overload or use kindling wood or mill ends as primary fuel as this may cause overfiring.

## SPECIFICATIONS - Model 2800HT

Approx. heat capacity Up to ~1800 Sq. Feet  
Up to ~ 550 Sq. Meters

Maximum log length 18" (457 mm)

Flue size 6" (152 mm)

Width w / standard surround 42" (107 cm)

Width at fireplace opening 24" (610 mm)

Width at rear of firebox 22 1/2" (572 mm)

Depth into Fireplace 15 1/2" (394 mm)

Depth (overall) 28 1/4" (718 mm)

Height 20" (508 mm)

Height w / standard surround 32" (813 mm)

Back of Stove to Center of Flue 6" (152 mm)

Approx. burn time 8-10 hours

Fuel capacity 50 - 60 lbs.  
(23 - 27 kg)

Firebox size (cubic feet) 2.9 c.f. (884 cubic mm)

Maximum Burn Rate 74,100 BTU

EPA BTU Range 11,500-46,700  
BTU

EPA Efficiency 63%

Emissions Rate (grams / hour) 4.5 gph

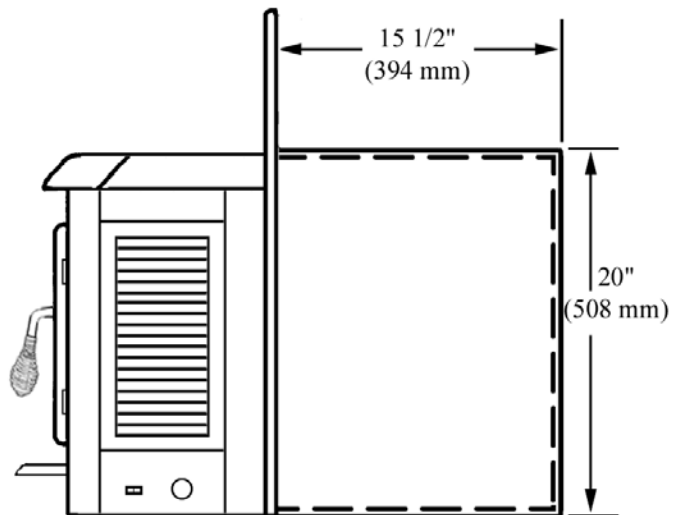
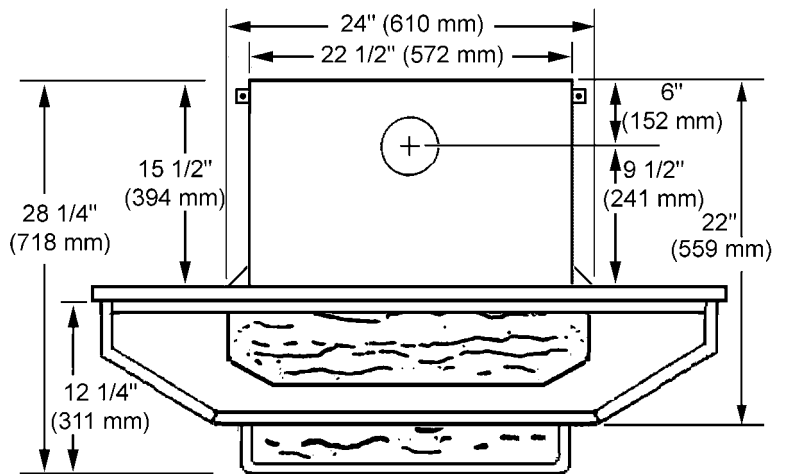
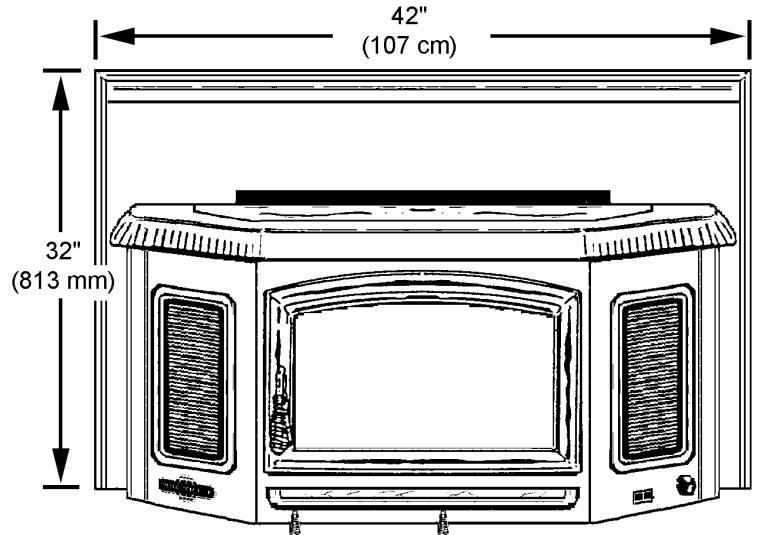
Approx. weight with brick 435 lbs. (197 kg)

Primary Air Control Manual  
Start-up Air Manual

Blower Assemblies 500 cfm total  
(4 fans, 125 cfm ea., .42 amps ea.)

~ Square feet heating capacity and burn time are approximations only. They will vary depending upon the level of insulation, climate, house design, ceiling height, ambient outside temperatures and how the stove is operated.

Dimensions shown are approximations only (+/- 1/4" [6.4 mm])



## REPLACEMENT PARTS LIST – Model 2800HT

Part No.	Description
	<b>Door Parts</b>
G300	Door Assembly, Gold (Handle Included)
86-128	Gasket Kit, 3/4" Door Rope (Includes Adhesive)
27M81	Gasket Kit, Glass Channel
27M67	Clip Set, Glass
G400-7	Glass, Large Arched 11 1/8 X 17" (Glass gasket not included)
10300	Handle Assembly
11529	Hinge, Pin 10 L 18, Original (Requires Welding)
11531	Hinge Pin 1/4-28 UNF (Retrofit - requires drill #3 (.213") & tap
10362	Torque Plate (Latch)
	<b>Electrical Parts</b>
26M22	Power Cord
11573	Motor, fan (propeller included)
16120	Fan, Assembly Left
16110	Fan, Assembly Right
410-25-3	Propeller, Fan
16093	Wire Harness Assembly
528	Rheostat, W/Connectors (Knob Not Included p/n 10050087)
10050087	Rheostat, Knob
410-270	Rocker Switch, On/Off Switch
11565	Disc, Fan, F110°-20F, 60T12
410-265	Terminal, Block Small
410-260	Terminal, Block Large
	<b>Component Parts</b>
16090	Fan Panel - Left Louvered
16091	Fan Panel - Right Louvered
16039	Control Assembly, Start-Up Air
907	Handle, Spring Module
16101	Shield, Low Profile
	<b>Surround And Trim</b>
11817	Air Intake Housing Gold Trim (requires 2)
2046	Corner Key For Trim
2842	Surround Kit 32 X 42" (Standard with Gold Tone Trim)
2047	Trim, Surround (Gold Tone) 32 X 42"
	<b>Firebox Parts</b>
16052	Baffle Plate, Top (3/8" Thick)
16012	Retainer, Back Brick
16010	Retainer, Side Brick
26M21	Secondary Air Tube Set (3 tubes, tabs included)
16056	Tab, Air Tube Retainer
	<b>Miscellaneous/Component Parts</b>
MS2802	Marble Set, Gray (Also requires 1ea. 1053 & 4ea. 1051)

## REPLACEMENT PARTS LIST – Model 2800HT

<b>Part No.</b>	<b>Description</b>
MS2805	Marble Set, Green (Also requires 1 each 1053 & 4 each 1051)
1053	Cerawool Pad For Marble (requires 1)
1051	Cerawool Strips, For Marble (requires 4)
775004M	Installation / Operation Manual

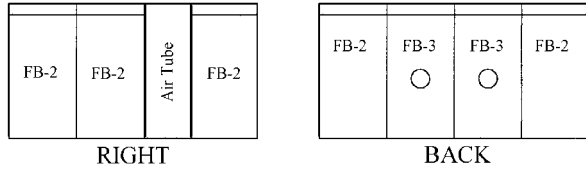
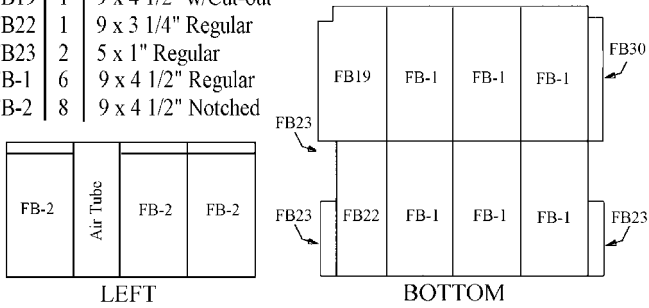
**For the location of the nearest dealer for replacement parts, contact:**

**Lennox Hearth Products  
1110 West Taft Avenue  
Orange, CA 92865**

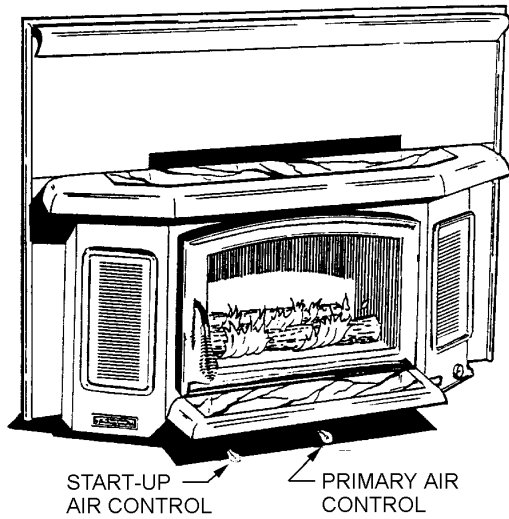
# COMPONENT DIAGRAMS – Model 2800HT

## FIREBRICK (1 1/4" THICK)

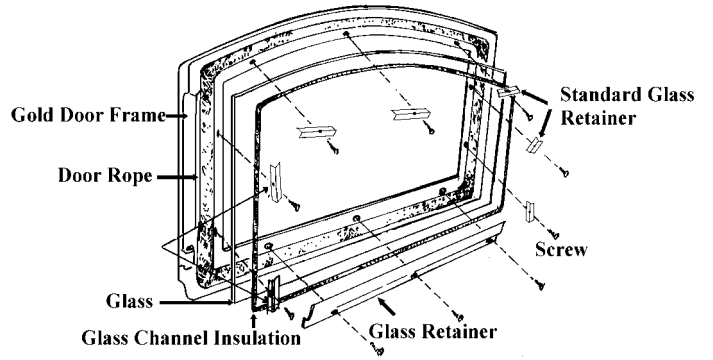
Part	Qty	Dimensions
FB-3	2	9 x 4 1/2" w/Hole, Notch
FB30	1	8 1/4 x 1" Regular
FB19	1	9 x 4 1/2" w/Cut-out
FB22	1	9 x 3 1/4" Regular
FB23	2	5 x 1" Regular
FB-1	6	9 x 4 1/2" Regular
FB-2	8	9 x 4 1/2" Notched



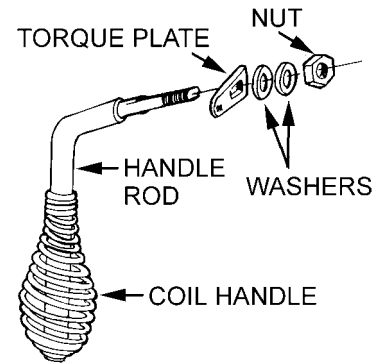
## AIR CONTROLS



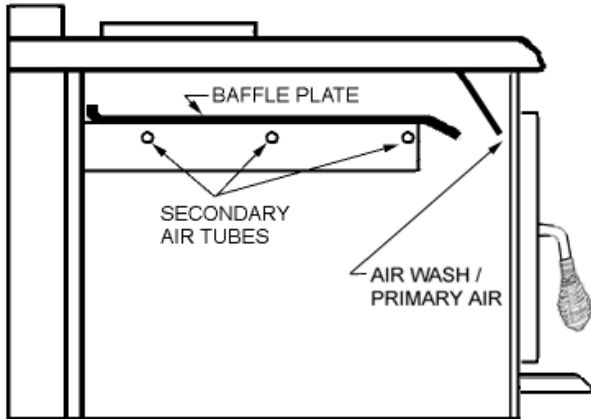
## DOOR ASSEMBLY



## HANDLE ASSEMBLY



## FIREBOX PARTS





## SAFETY/LISTING LABEL

Catalog #	Model	Description (Model)
14M78	OA2800-66	Offset adapter, 6" to 6" diameter
14M74	ZCFK-28	Zero Clearance Fireplace Kit
14M75	MFK-28	Masonry Fireplace Kit
70K99	TSPK-B	Touch-up spray paint kit, black 12 oz Spray Can

### Masonry Fireplace Kit

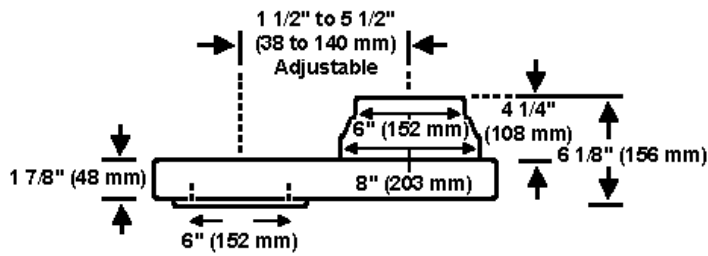
This header insulation kit is required when installing the insert into a masonry fireplace with an opening height of 21" to 24". Opening heights higher than 24" do not require this kit.

### Zero Clearance Kit

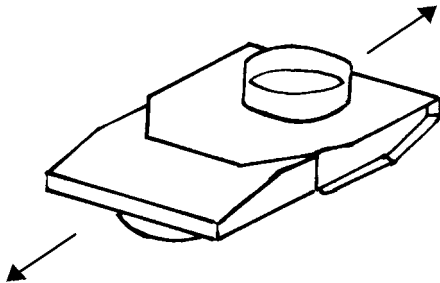
When installing the 2800HT into a "high dome" or "low profile" type factory built fireplace (ZC), this kit is required. The kit consists of insulation and components to deflect and dissipate heat.

### OFFSET ADAPTER

Installations requiring offsets can be handled using an offset adapter (it aligns starter pipe with flue).



Actual Appearance



# SAFETY/LISTING LABEL

CONTACT YOUR LOCAL BUILDING OR FIRE OFFICIALS ABOUT RESTRICTIONS AND INSTALLATION INSPECTION IN YOUR AREA  
CONTACTEZ LE BUREAU DE LA CONSTRUCTION OU LE BUREAU DES INCENDIES AU SUJET DES RESTRICTIONS ET DES INSPECTIONS D'INSTALLATION DANS VOTRE VOISINAGE

Listed Fireplace Accessory/Insert / Cheminée Insérée Enregistrée Avec Accessoires  
FOR USE WITH SOLID WOOD FUEL ONLY / POUR USAGE AVEC LE BOIS SEULEMENT



Serial No./Numéro de Série:

Manufactured by/Manufacturé par:  
LENNOX HEARTH PRODUCTS  
1110 West Taft Avenue  
Orange, CA 92865

Tested & Listed By Beaverton Oregon USA  
OMNI-Test Laboratories, Inc.  
Report No.: 030-S-06-2

Model/Modèle: 2800 H.T.  
Tested To/Testé à: UL 1482, ULC S628

### "PREVENT HOUSE FIRES"

Install and use only in accordance with manufacturer's installation instructions and your local building codes.

**CAUTION:** Do not pass chimney connector through a combustible surface. Do not connect this unit to a chimney flue serving another appliance.

Approved for installation in listed zero-clearance fireplaces in USA. Zero-clearance installations require a full reline from the flue collar to the rain cap. For flue collar offsets use only part #14M78 and ZC Kit P/N 14M74. See manual for further information. Zero-clearance installation is not allowed in Canada.

Install in masonry fireplaces built to UBC Chapter 37. Do not remove brick or mortar from masonry fireplace to accommodate insert. Masonry fireplace installation requires a minimum of a positive flue connection. In Canada, a full length S635 flue liner is required.

**NOTE:** Replace glass only with 5mm ceramic.

Electrical Rating: Aerovox, S10625082 motor, 115 VAC, .5 Watts, 60 Hz

**DANGER:** Risk of electrical shock. Disconnect power before servicing unit. Do not route power cord under or in front of appliance.

**NOTE:** As an extension of the "ash drawer" rule of UL 1482 (paragraph 10.7 Exception 2), this appliance was tested for maximum temperature production (Paragraph 10.8) with the "Startup Air" control in the closed position. Therefore, the "Startup Air" control must only be opened (pulled out) during the start-up procedures. Operation of the appliance in the "Startup Air OPEN" (pulled out) position during periods after start-up, can cause DANGEROUS OVER-FIRING CONDITIONS.

### "PRÉVENTION DES FEUX DE MAISON"

Installez et utilisez en accord avec les instructions d'installation du fabricant et des codes locaux.

**AVIS:** Ne pas faire passer le tuyau de cheminée à travers une surface combustible. Ne pas connecter cet appareil à un tuyau de cheminée servant un autre appareil.

Approuvé pour l'installation dans les États-Unis pour les cheminées enregistrées sans espaces libres. Les installations sans espaces libres exigent une doublure entière du col du tuyau jusqu'au capuchon de pluie. Pour le col du tuyau utilisez la pièce #14M78 et ZC P/N14M74. Voir le manuel pour des instructions supplémentaires. L'installation sans espaces libres n'est pas légale au Canada.

Installez les cheminées en briques selon UBC Chapitre 37. Ne pas enlever des briques ou du ciment de la cheminée en brique de façon à accommoder la pièce insérée. L'installation de la cheminée en brique exige un connecteur de tuyau positif. Au Canada, une doublure de tuyau de grandeur de S635 est exigée.

**NOTE:** Remplacez la vitre avec une céramique de 5mm seulement.

Puissance Électrique: Moteur Aerovox S10625082, 115 VAC, .5 Watts, 60 Hz

**DANGER:** Il y a risque de décharge électrique. Déconnectez le fil électrique de la prise de contact avant le service. Ne pas faire passer le fil électrique sous ou en avant de l'appareil.

**NOTE:** L'extension du tiroir des cendres est selon UL 1482 (Paragraphe 10.7 Exception 2). Cet appareil a été testé pour la production de température maximum (Paragraphe 10.8) avec la contrôle "Start Up Air" dans la position fermée. La contrôle "Start Up Air" doit être ouverte (sortie) durant les procédures de l'allumage. L'opération de cet appareil dans la position "Start Up Air" ouverte durant les périodes après l'allumage peut causer des dangers.

### Minimum Clearance to Combustible Materials (in inches)

### Espaces Libres Minimum Aux Combustibles (en pouces)

Install insert with a minimum of 6" clearance to combustible sidewall, 6" to side and 16" to top trim, 27" from top of insert to mantel. For fireplace installation with a combustible mantel or top trim, part # 16101 must be installed as described in the installation manual. Floor protector must be non-combustible material, extending 18" in front of insert and 8" to both sides of the feed door opening.



Installez la pièce insérée avec un minimum de 8" d'espace libre au mur de côté combustible, 6" du côté et 16" de la garniture du haut, 27" du haut de la pièce insérée au manteau de la cheminée. Pour l'installation de la cheminée avec un manteau de cheminée ou le haut de la garniture combustibles, la pièce #15101 doit être installée selon les installations du manuel. Le protecteur de plancher doit être de matériel incombustible, s'étendant de 18" en avant de l'appareil et de 8" de chaque côté de l'ouverture de la porte d'allumage de feu.

**CAUTION:** HOT WHILE IN OPERATION. DO NOT TOUCH. CONTACT MAY CAUSE SKIN BURNS. KEEP CHILDREN, CLOTHING, FURNISHINGS AND COMBUSTIBLE MATERIAL A CONSIDERABLE DISTANCE AWAY. SEE NAMEPLATE AND INSTRUCTIONS. DO NOT OVERFIRE. IF HEATER OR CHIMNEY CONNECTOR GLOWS, YOU ARE OVERFIRING. INSPECT AND CLEAN CHIMNEY AND CONNECTOR FREQUENTLY. UNDER CERTAIN CONDITIONS OF USE, CREOSOTE BUILDUP MAY OCCUR RAPIDLY. DO NOT USE GRATE OR ELEVATE FIRE - BUILD WOOD FIRE DIRECTLY ON HEARTH. DO NOT BURN WITH FEED DOOR OPEN. FEED DOOR MUST BE CLOSED DURING FIRING EXCEPT WHEN ADDING FUEL. OPEN COMBUSTION AIR CONTROL BEFORE OPENING FEED DOOR.



**ATTENTION:** CHAUD LORS DE L'OPÉRATION. NE PAS TOUCHER. LE CONTACT PEUT CAUSER DES BRÛLURES À LA PEAU. GARDEZ LES ENFANTS, LES VÊTEMENTS, LES MEUBLES ET LES MATÉRIEAUX COMBUSTIBLES LOIN DE L'ESPACE DÉSIGNÉ DE L'APPAREIL. VOIR L'ÉTIQUETTE ET LES INSTRUCTIONS. NE PAS SURCHAUFFER. SI L'APPAREIL DE CHAUFFAGE OU LE TUYAU DE CHEMINÉE ROUGISSENT, VOUS SURCHAUFFEZ. INSPECTEZ ET NETTOYEZ LA CHEMINÉE FRÉQUEMMENT. SOUS CERTAINES CONDITIONS, IL SE PEUT QUE LA CRÉOSOTE S'ACCUMULE RAPIDEMENT. N'ÉLEVEZ PAS LE FEU. BÂTISSEZ LE FEU DE BOIS DIRECTEMENT SUR L'ÂTRE. NE PAS BRÛLER LORSQUE LA PORTE D'OUVRETURE EST OUVERTE. LA PORTE D'OUVRETURE DOIT ÊTRE FERMÉE PENDANT L'USAGE EXCEPTÉ PENDANT QUE VOUS AJOUTEZ DU FEU. OUVREZ LE TUYAU D'AIR AVANT D'OUVRIER LA PORTE D'OUVRETURE.

U.S. ENVIRONMENTAL PROTECTION AGENCY  
Certified to comply with July 1990 particulate emission standards.

Date of Manufacture / Date de Fabrication  
2002 2003 2004 Jan. Feb. Mar. Apr. May June July Aug. Sept. Oct. Nov. Dec.

DO NOT REMOVE THIS LABEL / NE PAS ENLEVER OU RECOUVRIR CETTE ÉTIQUETTE      Made in U.S.A. / Fait aux États-Unis      P/N 16094 Rev. C

# EPA LABEL

Manufactured by: Lennox Hearth Products Model:  2800 H.T.

**US ENVIRONMENTAL PROTECTION AGENCY**

MEETS EPA PARTICULATE MATTER (SMOKE) CONTROL REQUIREMENTS FOR NONCATALYTIC WOOD HEATERS BUILT ON OR AFTER JULY 1, 1990.

**SMOKE**

↓  
**THIS MODEL**

0 ————— 8.5  
(Grams Per Hour)

**EFFICIENCY \***

↓

50%    60%    70%    80%    90%    100%

Wood heaters with higher efficiencies cost less to operate.  
\*(NOT TESTED FOR EFFICIENCY. THE VALUE INDICATED IS FOR SIMILAR NONCATALYTIC WOOD HEATERS.)

**HEAT OUTPUT**  
**11,500 to 46,700 Btu/Hr**

Use this to choose the right size appliance for your needs.  
ASK DEALER FOR HELP

This wood heater will achieve low smoke output and high efficiency only if properly operated and maintained. See owner's manual.

**OWNERSHIP RECORDS**

Dealer's Name:

Dealer's Address:

City:	State:	Zip Code:
-------	--------	-----------

Serial Number:	Date of Purchase:	Date Installed:
----------------	-------------------	-----------------

Notes:

**SERVICE AND MAINTENANCE LOG**

Service Date	Service Technician	Service Description
--------------	--------------------	---------------------

--	--	--

--	--	--

--	--	--

--	--	--

--	--	--

--	--	--

--	--	--

--	--	--

--	--	--

--	--	--

--	--	--

--	--	--

--	--	--

--	--	--

--	--	--

--	--	--

--	--	--

***LENNOX***<sup>®</sup>

**HEARTH PRODUCTS**  
**1110 West Taft Avenue**  
**Orange, CA 92865**