

KAMBROOK

THE SMARTER CHOICE



Snugasabug[®]
Tie-Down Electric
Blanket

Suits models KEB302/KEB312
KEB322/KEB332

Instruction Booklet

Important

Please retain your instruction book for future use.

In the event that you need some assistance with your Kambrook appliance, please contact our Customer Service Department on 1300 139 798 (Australia) or 09 271 3980 (New Zealand). Alternatively, visit us on our website at www.kambrook.com.au

Contents

Kambrook Recommends Safety First	p4
Your Snugasabug® Tie-Down Electric Blanket	p6
Using your Snugasabug® Tie-Down Electric Blanket	p7
Care and Cleaning	p10
Warranty Details	p12

Kambrook Recommends Safety First

IMPORTANT: Please retain your instruction book for future use.

Electric Blanket Type: WB1, WB2, WB3 and WB4

At Kambrook, we believe that safe performance is the first priority in any consumer product, so that you, our valued customer can confidently use and trust our products. We ask that any electrical appliance that you use be operated in a sensible fashion with due care and attention placed on the following important operating instructions.

Important Safeguards For Your Kambrook Snugasabug® Tie-Down Electric Blanket

- Carefully read all instructions before operating the Kambrook Snugasabug® Tie-Down Electric Blanket and save for future reference.
- Remove any packaging material and promotional stickers before using the Kambrook Electric Blanket for the first time.
- Use the Electric Blanket only with the detachable controller KB31 provided. Refer to the markings on the heating unit for the model number of the controller.
- Connect only to a 230V or 240V power outlet.
- Use this blanket as an under blanket only.
- Not recommended for futons or similar folding bedding systems.
- This blanket is not recommended to be used on an adjustable bed. If used on an adjustable bed, check that the blanket or cord cannot become caught, creased, kinked or damaged in any way.
- Make sure that the heating area (wire element) on any side of the bed does not hang over the edge of the mattress and that the following instructions are read carefully before using the blanket.
- Do not use this blanket with an infant, an infirm person or anyone insensitive to heat.
- Use only for human use, not for pets.
- Overly extended application at a high setting can result in skin irritation or burns.
- Avoid sharp objects. Do not insert pins or any sharp objects into the electric blanket as they may damage the electrical wiring.
- Do not use pins – they may damage the electric wiring.
- Do not use folded, rucked or rolled.
- Do not tuck in.
- Do not use creased, folded or damaged in any way.
- Keep control unit away from an open window.
- Be sure that this blanket is used only on an alternating current supply circuit of correct voltage.
- The flexible power supply cord and controller must, as far as practicable, be kept outside the bed.
- Be sure that the electric blanket is installed so that at all times the flexible supply plug is adjacent and accessible to the main power outlet.
- Do not use the electric blanket if it is wet
- Switch off at the power outlet and remove plug when this blanket is not in actual use.
- This blanket must be kept in the fully spread condition at all times during use to avoid overheating. It is imperative

that the blanket be frequently inspected to ensure that this condition is being maintained.

- Regularly inspect the electric blanket, power supply cord, plug and controller for any wear, damage or misuse. If signs of these are detected, immediately cease use of the appliance and return the entire unit to your nearest Kambrook Service for examination, replacement or repair.
- Bed clothes should not be folded back when the blanket is switched on. Do not leave heavy objects on the bed when the unit is switched on.
- Arrange the blanket so that the heating wires are not beneath pillows and/or bolsters.
- Person suffering from bed-wetting should only use product specifically designed for this condition.
- The blanket must not be used over or under a waterbed.
- If any abnormality or defect in operation of this blanket is observed, discontinue its use immediately and consult the manufacture or a licensed electrician.
- There are no customer serviceable parts inside. The electric blanket is fitted with

a specially designed controller and no attempt should be made to repair it or to replace the protective fuse. Have the electric blanket serviced only by a qualified service agent at your nearest Kambrook Service Centre.

- When storing the electric blanket, allow it to cool down before folding
- When storing, fold neatly but not tightly (or roll) in the original packaging without sharp bends in the heating element and store where no other objects will be placed upon it.
- Do not dry clean this blanket. Cleaning liquids may have a deleterious effect on the insulation covering of the heating unit. It is recommended to follow instructions for localized soiling or washing if soiling occurs. Please refer to Care and Maintenance instructions.
- This appliance is for domestic use only. Not intended for medical use in hospitals.
- Avoid pressing creases into the appliance.
- It is recommended that a qualified and registered person inspect the electric blanket after each 3 years of use.

Important Safeguards For All Electrical Appliances

- Fully unwind the power cord before use.
- Do not let the power cord hang over the edge of a bench or table, touch hot surfaces or become knotted.
- The appliance is not intended for use by persons (including children) with reduced physical, sensory or mental capabilities, or lack of experience and knowledge, unless they have been given supervision or instruction concerning use of the appliance by a person responsible for their safety.
- Children should be supervised to ensure that they do not play with the appliance.
- It is recommended to regularly inspect the appliance. To avoid a hazard do not use the appliance if power cord, power plug or appliance becomes damaged in any way. Return the entire appliance to the nearest authorised Kambrook Service Centre for examination and/or repair,

or contact Customer Service on 1300 139 798.

- Any maintenance other than cleaning should be performed at an authorised Kambrook Service Centre.
- This appliance is for household use only. Do not use this appliance for anything other than its intended use. Do not use in moving vehicles or boats. Do not use outdoors. Misuse may cause injury.
- The installation of a residual current device (safety switch) is recommended to provide additional safety protection when using electrical appliances. It is advisable that a safety switch with a rated residual operating current not exceeding 30mA be installed in the electrical circuit supplying the appliance. See your electrician for professional advice.

Your Snugasabug® Tie-Down Electric Blanket

KEB302	Single	approximately 610x1450mm
KEB312	Large Single	approximately 800x1500mm
KEB322	Double	approximately 1220x1450mm
KEB332	Double/Queen	approximately 1430x1500mm

1. Tie-down straps to secure the blanket to the mattress.
2. Machine washable and tumble dry electric blanket
3. Extra foot warmth for extra heat around your feet

Controller

4. 3 Heat Settings for your comfort choice.
5. Detachable controller is easily removed from the electric

6. Dual controllers offered with the Double (KEB322) and Double/Queen (KEB332) for individual comfort.
7. Power-on indicator



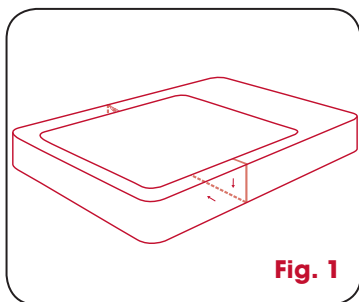
Using Your Snugasabug® Tie-Down Electric Blanket

Before First Use

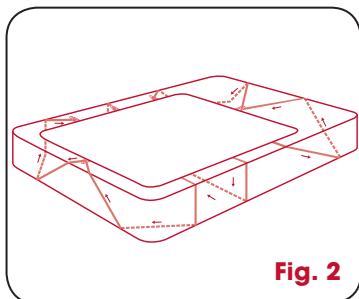
Remove any promotional material and packaging from the electric blanket.

Securing Your Tie-Down Electric Blanket

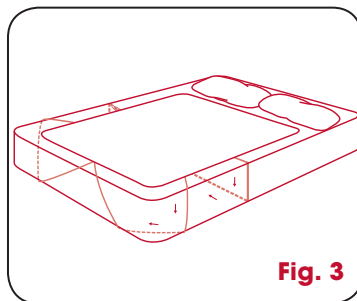
Place the electric blanket on the mattress towards the foot of the bed. Leave sufficient room for the pillow and ensure the control leads are near the head of the bed. Remove tags from tie tapes. Pass the middle tie tape under the middle of the mattress and through the middle loop on the opposite side. Tie tightly.



Pass end tape under the bottom corner of the mattress and through the end loop, then down under the opposite bottom corner of the mattress and through the bottom side loop. Tie tape firmly.



Repeat procedure for the tape at the top end of the mattress. The electric blanket should now be firmly taped to the mattress as shown in Fig 3.



To Connect The Controller

Your blanket has a detachable controller and waterproof element which makes your blanket machine washable.

Ensure the electric blanket controller is in the 'OFF' position and not connected to the 230V or 240V power supply.

To connect your controller, thread the detachable plug from the controller and plug it fully into the socket.

Ensure that the locking clip engages with the small plastic pin on the plug.

Turn the electric blanket over, position and fit it to the mattress.

To Detach The Controller

The socket has a locking clip that engages with a small pin on the plug. With the controller set to the 'OFF' position indicated by a '0' and power plug removed from the 230V or 240V power supply, push the clip out to release the socket pin and withdraw the connector plug by pulling it away from the socket.

Using Your Snugasabug® Tie-Down Electric Blanket continued

Storing your control unit

Remove the controller when laundering your blanket. Store your controller during summer months while your blanket remains on the bed as a comfortable underblanket.

Dual Control Units

Your Double/Queen size electric blanket features two controls for individual comfort.

Turning Your Tie-Down Electric Blanket On

Ensure the electric blanket controller is positioned in the 'OFF' position indicated by an '0'.

Plug the cord into a 230V or 240V power outlet and switch the power on.

Setting the Heat Temperature

Adjust the heat temperature by sliding the switch to select the desired temperature setting between 1 and 3.

The three settings allow you to choose the right balance of heat depending on your personal requirements. The numbers on the electric blanket controller correspond to the following temperatures:

0 = No heat

1 = Low heat (for low, gentle heat or all night use)

2 = Medium heat

3 = High heat (recommended for preheating only)



An audible click will be heard when selecting a temperature setting. The 'ON' light will also illuminate to indicate that the electric blanket is on and heating. Additional heating selections can be made by sliding the switch to the desired temperature setting (between 1-3).

To turn the electric blanket off, slide the switch to either the furthest upward or downward position, both these positions are marked with '0'. The 'ON' light will turn off to indicate that the power has been turned off.

NOTE: We recommend that on initial use the electric blanket controller is set on heat temperature '1' for 3 hours to dry out any moisture which may have been accumulated in the mattress. Repeat this process every few months to maintain a dry, healthy bed.

You may notice an odour when using the electric blanket for the first time, due to the insulation material. This is harmless and will subside quickly. It is recommended that you do not sleep on the electric blanket when it is switched on. Should you choose to leave your blanket on all night; setting 1 can be used.

Your blanket has a detachable controller and waterproof element which makes your blanket safe to machine wash.

Care and Cleaning

Do not dry clean. Do not iron. Use only the following instructions:

Before cleaning, ensure that the controller is unplugged from the power supply and detached from the blanket.

Spot Cleaning

Sponge the affected area using a luke warm neutral detergent or mild soapy solution. Follow this with a sponging using a clean water solution. Remove any excess water by compressing the wet area between absorbent towels.

Hand Washing

Immerse only the electric blanket in a luke warm neutral detergent or mild soapy solution.

Soak for five minutes, remove from the solution, and gently squeeze the solution through the electric blanket.

Rinse only the blanket thoroughly in clean luke warm water, gently squeeze and drain the excess water from the electric blanket.



CAUTION: The controller must be removed from the blanket when washing.



CAUTION: Do not wring the electric blanket.



WARNING: Never immerse the detachable controller in water or any other liquid.

Machine Washing

Your electric blanket can be washed in a domestic washing machine (size permitting) or by a commercial laundry.

To wash your blanket in a domestic washing machine, wash on the WOOL or DELICATES setting using a neutral wool detergent or mild soapy solution.

DO NOT wash on a HOT cycle, the temperature must be kept below 40°C.

Do not use high speed or extra spin cycles.

Do not machine wash with the control/s connected to the blanket.

Drying

Drape the electric blanket across a clothes line and drip dry. DO NOT use pegs to secure the electric blanket in position. DO NOT dry with a hair dryer or heater.

Tumble Drying

You may tumble dry your blanket on LOW setting for 15 minutes MAXIMUM.

Smooth the blanket by gently pulling any creases out of the fabric.

Do not dry with the control/s connected to the blanket.

Storage

When not in use, pack the electric blanket in its original packaging for best protection and store in a cool, clean and dry location.

Avoid pressing sharp creases into the blanket and store where no objects will be placed upon it.

Detach the control/s from the blanket when storing.

NOTE: Store your controller during summer months while your blanket remains on the bed as a comfortable underblanket.

Kambrook 36 Month Replacement Warranty

In Australia, this Kambrook Replacement Warranty does not affect the mandatory statutory rights implied under the Trade Practices Act 1974 and other similar State and Territory legislation relating to the appliance. It applies in addition to the conditions and warranties implied by that legislation.

In New Zealand, this Kambrook Replacement Warranty does not affect your mandatory statutory rights implied under the Consumer Guarantees Act 1993 in relation to the appliance. It applies in addition to the conditions and guarantees implied by that legislation.

This Kambrook Replacement Warranty is valid only in the country of purchase, but other statutory warranties may still apply.

This Warranty card and the purchase receipt for this product are to be retained as proof of purchase and must be presented if making a claim under the Kambrook Replacement Warranty. Please note that under any applicable statutory warranty you are not required to produce these documents, but may be required to provide a proof of purchase.

Kambrook warrants the purchaser against defects in workmanship and material for a period of 36 months domestic use from the date of purchase (or 3 months commercial use).

The Kambrook Replacement Warranty does not apply to any defect, deterioration, loss, injury or damage occasioned by, or as a result of, misuse or abuse, negligent handling or if the product has been used other than in accordance with the instructions. The Kambrook Replacement Warranty excludes breakables such as glass and ceramic items, consumable items and normal wear and tear.

This Kambrook Replacement Warranty is void if there is evidence of the product being tampered with by unauthorised persons.

If the product includes one or a number of accessories only the defective accessory or product will be replaced. Subject to your statutory rights, in the event of Kambrook choosing to replace the appliance, the Kambrook Replacement Warranty will expire at the original date, i.e. 36 months from the original date of purchase.

In the event that you need some assistance with your Kambrook appliance, please contact our Customer Service Department on 1300 139 798 (Australia) or 09 271 3980 (New Zealand). Alternatively, visit us on the website at www.kambrook.com.au

Kambrook 36 Month Replacement Warranty

Your Purchase Record (Please Complete)

Attach a copy of the purchase receipt here.

Date Of Purchase _____

Model Number _____

Serial Number _____

Purchased From _____

(Please don't return purchase record until you are making a claim)

Register your warranty at www.kambrook.com.au/service.asp

Kambrook - Australia
 Building 2, Port Air Industrial Estate
 1A Hale Street
 Botany NSW 2019
 Australia
 Customer Service Line 1300 139 798
 Customer Service Fax 1800 621 337

Kambrook - New Zealand
 Private Bag 94411
 Botany, Manukau
 Auckland 2141
 New Zealand
 Customer Service Line/Spare Parts
 0800 273 845 or 09 271 3980
 Customer Service Fax 0800 288 513

KAMBROOK
THE SMARTER CHOICE

Due to continual improvement in design or otherwise, the product you purchase may differ slightly from the illustration in this book. Issue 1/10