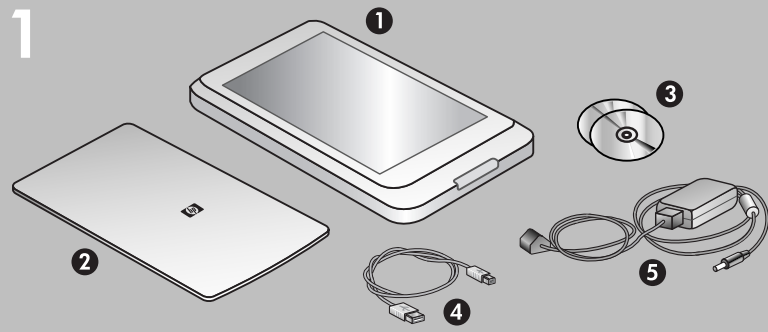


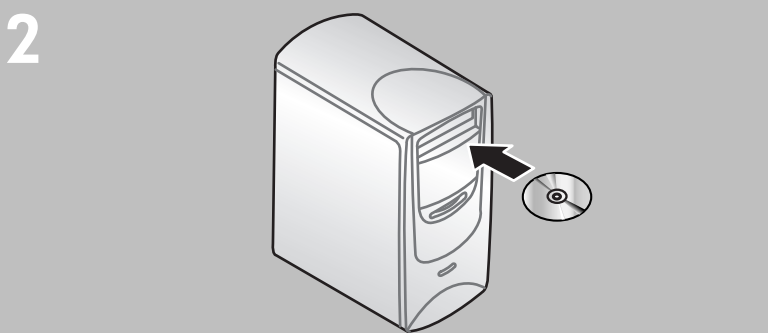
# hp Scanjet 3970 數位平台式掃描器

## 安裝



### 檢查包裝盒內物品

1. HP Scanjet 數位平台式掃描器
2. 掃描器蓋板底側上有內建的透明材料配接器 (TMA)
3. 一張或多張光碟 (視您所在地區而定)
4. USB 纜線
5. 電源線和交流電變壓器 (一套或兩套, 視掃描器類型而定)



### 安裝軟體

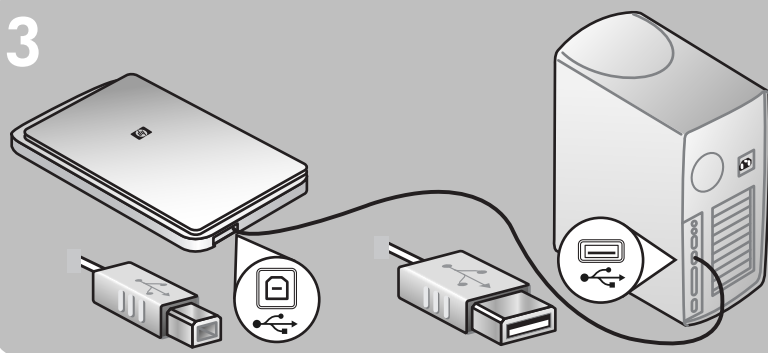
1. 若要将軟體安裝到 Windows 2000 或 Windows XP 系統, 請以系統管理員的身份登入。請參見您作業系統的線上說明, 以瞭解如何以系統管理員的身份登入。
2. 關閉電腦中所有已開啓的程式。
3. 找到適合您語言的 HP 相片和影像軟體光碟片。
4. 將光碟插入電腦的光碟機。

#### Windows

按照螢幕上的指示執行。若安裝應用程式未自動啓動: 在「開始」功能表上, 按一下執行, 然後鍵入: x:setup.exe (此處 x 為光碟機的字母代號)。

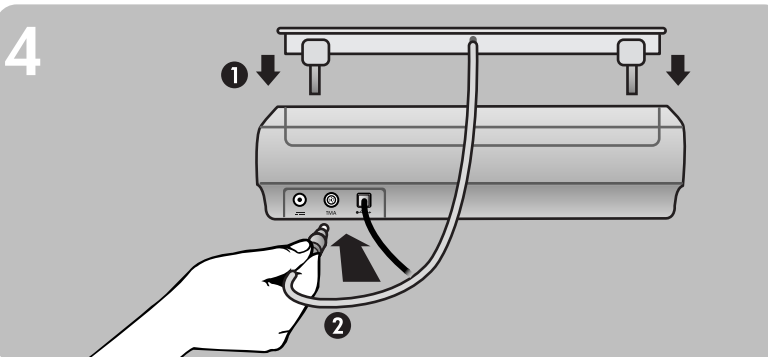
#### Macintosh

按兩下光碟上的安裝程式圖示, 然後按照指示執行。



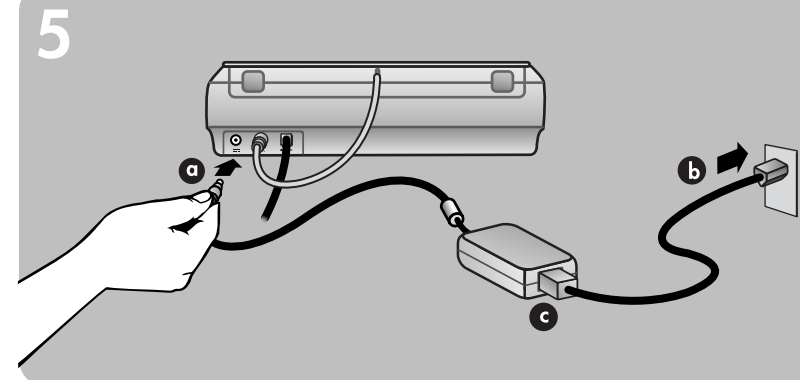
### 將掃描器連接至電腦

1. 將 USB 纜線連接在掃描器的 USB 連接埠與電腦的 USB 連接埠之間。



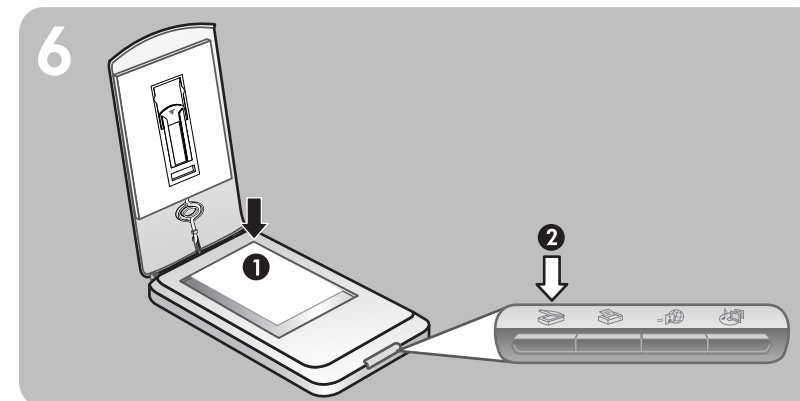
### 連接掃描器蓋板

1. 將掃描器蓋板上的鉸鏈插入掃描器背面的鉸鏈插槽內。
2. 將透明材料配接器纜線連接到掃描器背面的 TMA 連接埠。



### 連接電源

1. 請將電纜連接至掃描器背面。
2. 將變壓器插入電湧保護器或正確接地的牆上插座。
  - 如果您有**一套電源線**: 將另一端插入電湧保護器或正確接地的牆上插座 (b)。
  - 如果您有**兩套電源線** (隨附變壓器): 將電源線的一端插入變壓器 (c), 另一端插入電湧保護器或正確接地的牆上插座 (b)。

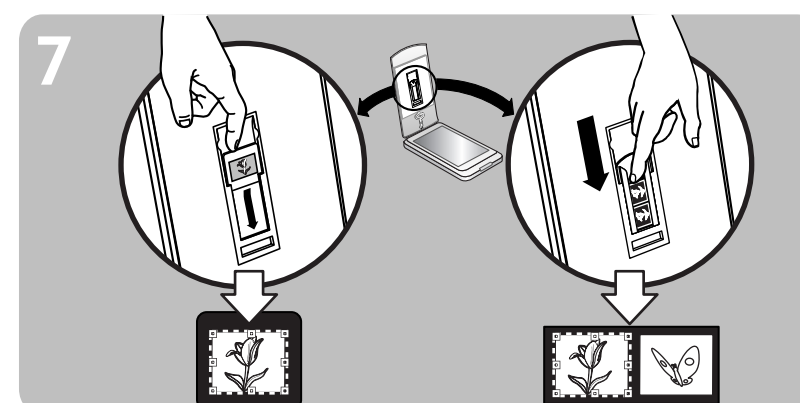


### 掃描相片及文件

1. 將原稿正面朝下放置在掃描器玻璃板上並合上蓋板。
2. 按下掃描按鈕。
3. 按照螢幕上的指示執行。

#### 前面板按鈕

- 掃描
- 影印
- HP INSTANT SHARE
- 記憶光碟製作



### 掃描幻燈片及負片

1. 打開掃描器蓋板。
2. 插入幻燈片或負片 (最多四片)。詳細資料請參閱《使用者手冊》。
3. 合上掃描器蓋板。
4. 按下掃描按鈕。
5. 選擇相片, 然後按一下掃描。
6. 選擇其中一個選項:
  - 如果您要掃描幻燈片: 選擇「來自透明材料配接器的幻燈片」。
  - 如果您要掃描負片: 選擇「來自透明材料配接器的負片」。
7. 按一下掃描。
8. 在幻燈片或負片上選取最後的掃描範圍。按一下並拖曳邊框, 圈住您最後要掃描的範圍 (最後掃描範圍)。
9. 依需要修改預覽影像。
10. 按一下**接受**並遵照螢幕上的指示執行。

[www.scanjet.hp.com](http://www.scanjet.hp.com)

[www.hp.com/support](http://www.hp.com/support)

[www.shopping.hp.com](http://www.shopping.hp.com) (僅限美國)

[www.hp.com](http://www.hp.com) (世界各地)

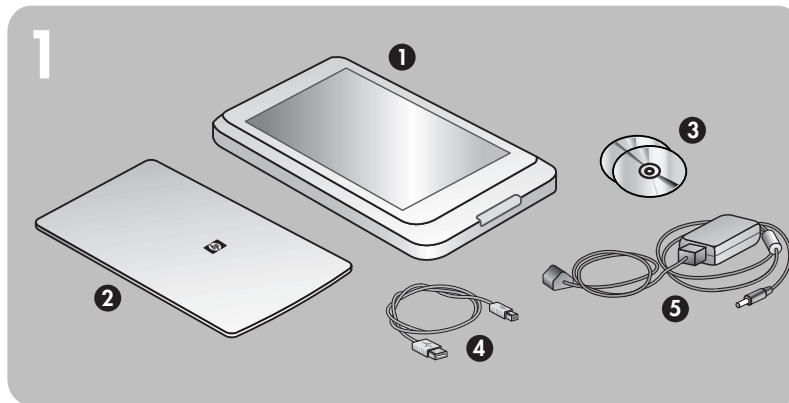
### 產品支援

- 如需有關安裝問題、客戶支援以及如何使用掃描器的資訊, 請參閱電子版的《使用者手冊》。掃描軟體的「說明」功能表中有提供 PDF 格式的《使用者手冊》。
- 請造訪以下網站:
  - [www.scanjet.hp.com](http://www.scanjet.hp.com), 尋找關於產品更新、促銷以及掃描秘訣的資訊
  - [www.hp.com/support](http://www.hp.com/support), 尋找關於客戶支援的資訊
  - [www.shopping.hp.com](http://www.shopping.hp.com) (僅限美國) 或 [www.hp.com](http://www.hp.com) (世界各地), 尋找關於訂購 HP 配件、耗材以及產品的資訊



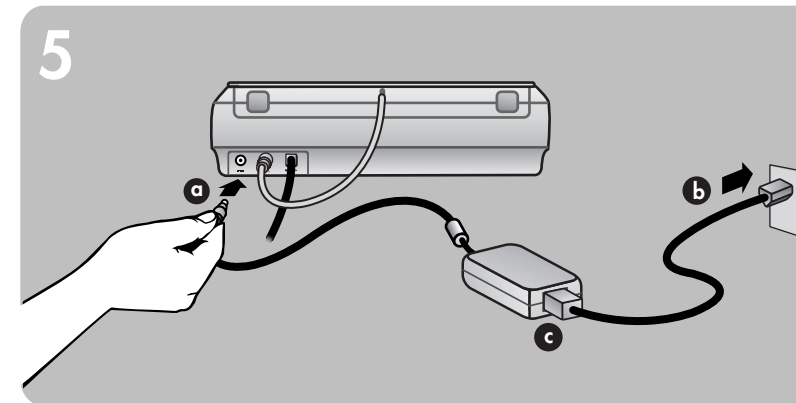
# hp scanjet 3970 digital flatbed scanner

## setup



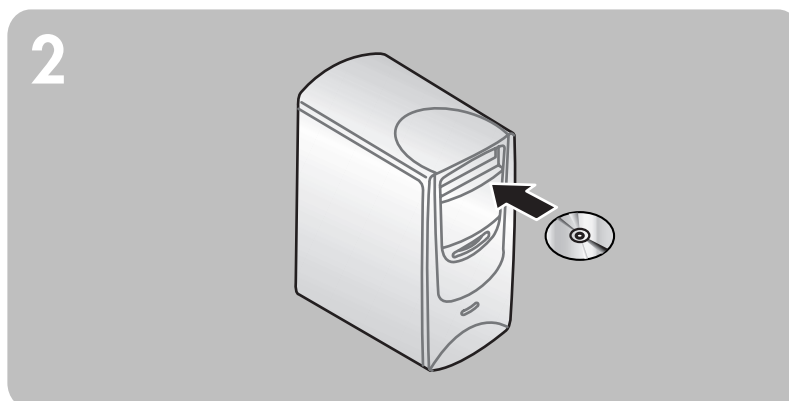
### check the box contents

1. HP Scanjet digital flatbed scanner
2. Built-in transparent materials adapter (TMA) located on the underside of the scanner lid
3. One or more CDs (depending on your location)
4. USB cable
5. Power cable and AC adapter (one or two pieces, depending on your scanner)



### connect the power

1. Connect the power cable to the power port on the scanner (a).
2. Do one of the following:
  - If you have a **one-piece power cable**: Connect the other end to a surge protector or a grounded wall outlet (b).
  - If you have a **two-piece power cable** (comes with an adapter): Connect one end of the power cable to the power adapter (c), and connect the other end of the power cable to a surge protector or a grounded wall outlet (b).



### install the software

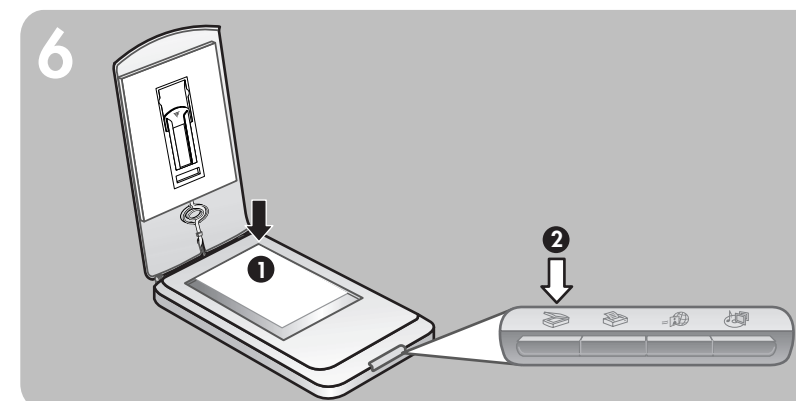
1. If you are installing the software onto a Windows 2000 or Windows XP system, log on as an administrator. See your operating system Help for how to log on as an administrator.
2. Close all programs on the computer.
3. Locate the HP Photo & Imaging software CD that is appropriate for your language.
4. Insert the CD into the computer's CD-ROM drive.

#### Windows

Follow the instructions on the screen. If the installation application does not start automatically: On the Start menu, click **Run**, and type: **x:\setup.exe** (where **x** is the letter of the CD-ROM drive).

#### Macintosh

Double-click the installer icon on the CD and follow the instructions.

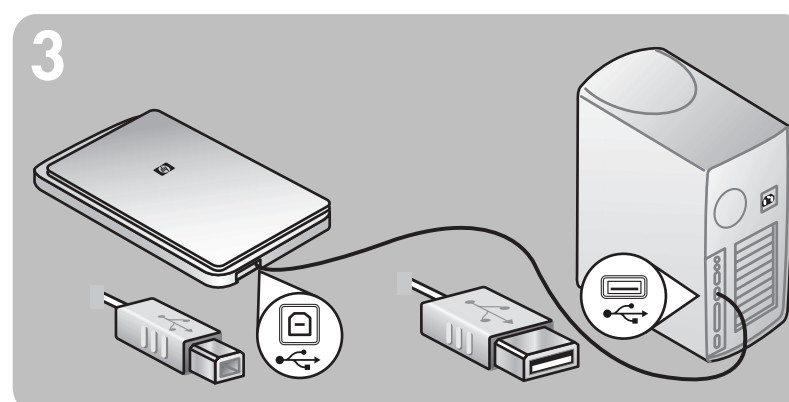


### scan pictures and documents

1. Place an original face down on the scanner glass and close the lid.
2. Press the **SCAN** button.
3. Follow the instructions on the screen.

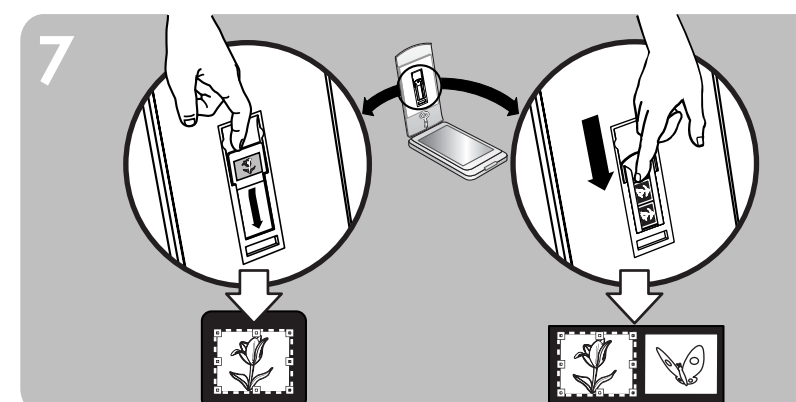
#### Front panel buttons

- SCAN
- COPY
- HP INSTANT SHARE
- MEMORIES DISC CREATOR



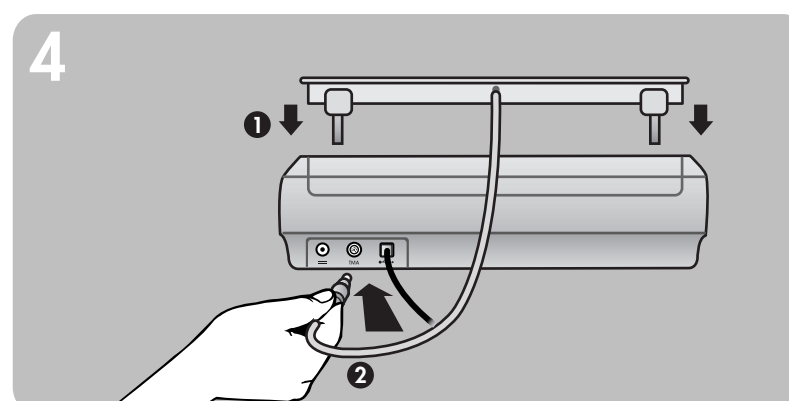
### connect the scanner to the computer

1. Connect the USB cable between the USB port on the scanner and the USB port on the computer.



### scan slides and negatives

1. Open the scanner lid.
2. Insert one slide or up to four negatives. See the User's Manual for details.
3. Close the scanner lid.
4. Press the **SCAN** button.
5. Select **Picture**, and click **Scan**.
6. Select one of these options:
  - If you're scanning a slide: **Slides from a Transparent Materials Adapter**.
  - If you're scanning negatives: **Negatives from a Transparent Materials Adapter**.
7. Click **Scan**.
8. Select a final scan area within a slide or negative. Click and drag a border around the area you want for a final scan (final scan area).
9. Make any necessary adjustments to the preview image.
10. Click **Accept** and follow the instructions on the screen.



### attach the scanner lid

1. Insert the hinges on the scanner lid into the hinge slots on the back of the scanner.
2. Connect the transparent materials adapter cable to the TMA port on the back of the scanner.

[www.scanjet.hp.com](http://www.scanjet.hp.com)  
[www.hp.com/support](http://www.hp.com/support)  
[www.shopping.hp.com](http://www.shopping.hp.com) (U.S. only)  
[www.hp.com](http://www.hp.com) (worldwide)

### product support

- For information on installation problems, customer support, and how to use the scanner, see the electronic User's Manual. The User's Manual is available in PDF format from a Help menu in the scanning software.
- Visit these websites:
  - [www.scanjet.hp.com](http://www.scanjet.hp.com) for product updates, promotions and scanning tips
  - [www.hp.com/support](http://www.hp.com/support) for customer support
  - [www.shopping.hp.com](http://www.shopping.hp.com) (U.S. only) or [www.hp.com](http://www.hp.com) (worldwide) for ordering HP accessories, supplies, and products