



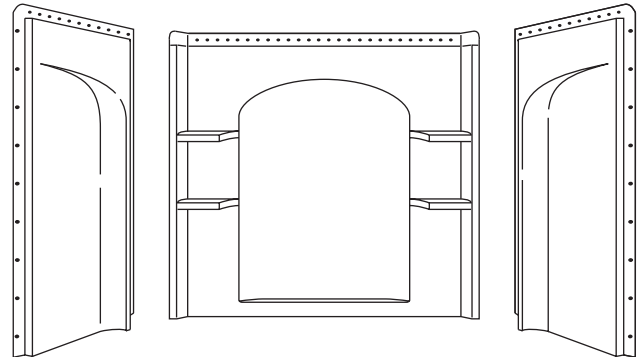
A KOHLER COMPANY

ENSEMBLE™

Features

- Compression molded from Sterling's exclusive solid Vikrell® material
- Modular 3-piece design
- Tongue-and-groove "snap together" design
- Durable high gloss finish
- 10 year consumer/3 year commercial limited warranty
- Allows for future attachment of grab bars
- Curved design
- Wall surround allows for attachment of grab bars
- Integrated shelving on back wall
- 60" (152.4 cm) x 32" (81.3 cm) bath/shower or whirlpool bath available separately
- 60" (152.4 cm) x 33-1/4" (84.5 cm) x 55-1/4" (140.3 cm) complete unit rough-in dimensions include flange
- 60" (152.4 cm) x 32" (81.3 cm) x 54" (137.2 cm) complete unit finished dimensions

32" (81.3 cm) BATH/SHOWER SURROUND WITH BACKER BOARDS 71224106



Codes/Standards Applicable

Specified model meets or exceeds the following:

- ANSI Z124.1.2
- IAPMO/UPC
- CSA B45

Colors/Finishes

- 0: White
- Other: Refer to Price Book for additional colors/finishes

Specified Model

Model	Wall Component Description	Colors/Finishes	
71224106	32" (81.3 cm) complete wall set with backers	<input type="checkbox"/> 0	<input type="checkbox"/> Other_____
Model	Complete Unit Description	Colors/Finishes	
71220116	Bath and complete wall set with backers, left hand drain	<input type="checkbox"/> 0	<input type="checkbox"/> Other_____
71220126	Bath and complete wall set with backers, right hand drain	<input type="checkbox"/> 0	<input type="checkbox"/> Other_____
71220118	Bath and complete wall set with backers, left hand AFD	<input type="checkbox"/> 0	<input type="checkbox"/> Other_____
71220128	Bath and complete wall set with backers, right hand AFD	<input type="checkbox"/> 0	<input type="checkbox"/> Other_____

SterlingPlumbing.com

Visit us online for fixture color choices, detailed product information, color photos, installation instructions, care guides, and warranties. Sterling offers additional lines of plumbing products to complement the Sterling product you've chosen. Sign up for the Sterling monthly e-newsletter which showcases our latest product innovations. You may also call our Sterling Plumbing Answer Center from within the USA at 1-888-STERLING in addition to consulting with your local dealer. Sterling. Strong. Professional. Design.

ENSEMBLE™

Technical Information

Model	Door maximum width	Door maximum height
72130106	57-11/16" (146.5 cm)	55-1/2" (141 cm)

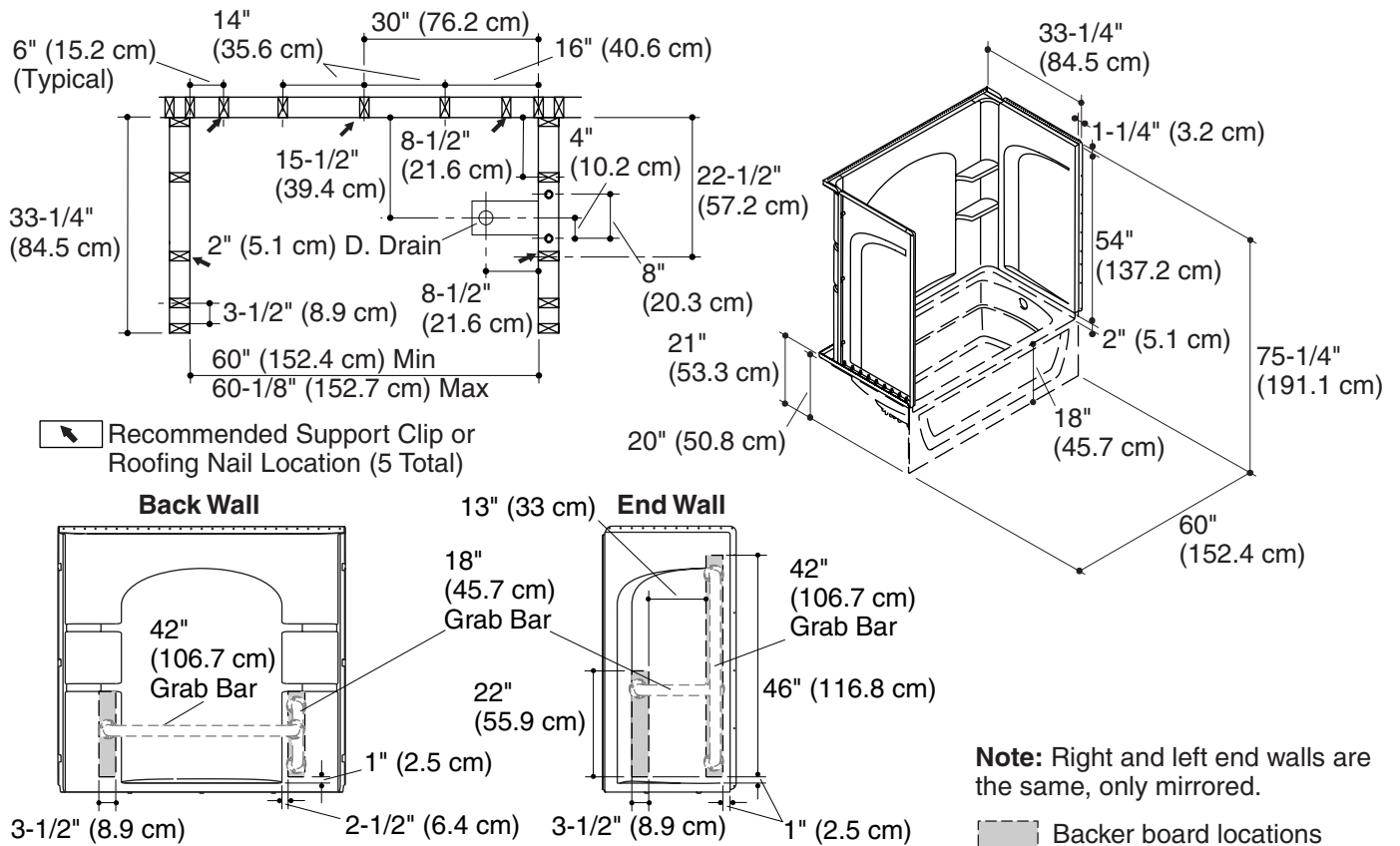
Installation Notes

Install this product according to the installation guide.

End stud positioning is critical if nailing-in flanges are to be used.

Studs should be positioned roughly as shown for support clip or roofing nail installation.

Attach grab bars at the specified backer board locations only.



Product Diagram