

Makita

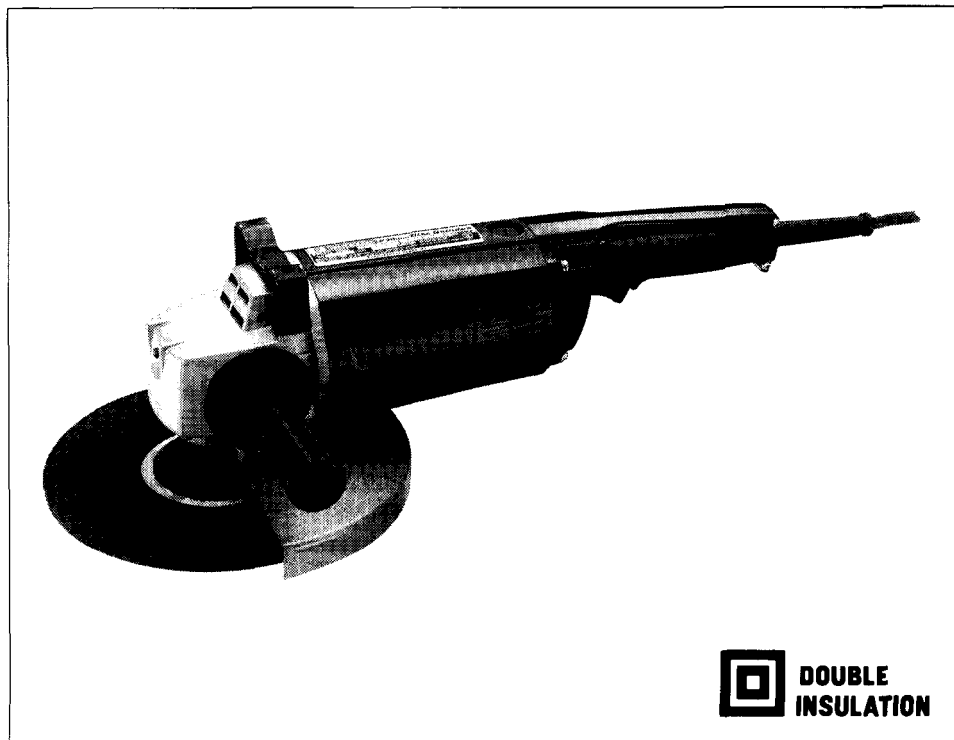
アメリカ

Disc Grinder

180 mm (7'') MODEL 9607BL

230 mm (9'') MODEL 9609B

INSTRUCTION MANUAL



 **DOUBLE
INSULATION**

SPECIFICATIONS

MODEL	No load speed (RPM)	Overall length	Net weight	Spindle thread
9607BL	6,000	450 mm (17-3/4'')	6.0 kg (13.2 lbs)	5/8-11 UNC
9609B	6,000	450 mm (17-3/4'')	6.3 kg (13.9 lbs)	5/8-11 UNC

- * Manufacturer reserves the right to change specifications without notice.
- * Note: Specifications may differ from country to country.

IMPORTANT SAFETY INSTRUCTIONS

(For All Tools)

WARNING: WHEN USING ELECTRIC TOOLS, BASIC SAFETY PRECAUTIONS SHOULD ALWAYS BE FOLLOWED TO REDUCE THE RISK OF FIRE, ELECTRIC SHOCK, AND PERSONAL INJURY, INCLUDING THE FOLLOWING:

READ ALL INSTRUCTIONS.

- 1. KEEP WORK AREA CLEAN.** Cluttered areas and benches invite injuries.
- 2. CONSIDER WORK AREA ENVIRONMENT.** Don't use power tools in damp or wet locations. Keep work area well lit. Don't expose power tools to rain. Don't use tool in presence of flammable liquids or gases.
- 3. KEEP CHILDREN AWAY.** All visitors should be kept away from work area. Don't let visitors contact tool or extension cord.
- 4. STORE IDLE TOOLS.** When not in use, tools should be stored in dry, and high or locked-up place — out of reach of children.
- 5. DON'T FORCE TOOL.** It will do the job better and safer at the rate for which it was intended.
- 6. USE RIGHT TOOL.** Don't force small tool or attachment to do the job of a heavy-duty tool. Don't use tool for purpose not intended.
- 7. DRESS PROPERLY.** Don't wear loose clothing or jewelry. They can be caught in moving parts. Rubber gloves and non-skid footwear are recommended when working outdoors. Wear protective hair covering to contain long hair.
- 8. USE SAFETY GLASSES.** Also use face or dust mask if cutting operation is dusty.
- 9. DON'T ABUSE CORD.** Never carry tool by cord or yank it to disconnect from receptacle. Keep cord from heat, oil, and sharp edges.
- 10. SECURE WORK.** Use clamps or a vise to hold work. It's safer than using your hand and it frees both hands to operate tool.
- 11. DON'T OVERREACH.** Keep proper footing and balance at all times.
- 12. MAINTAIN TOOLS WITH CARE.** Keep tools sharp and clean for better and safer performance. Follow instructions for lubricating and changing accessories. Inspect tool cords periodically and if damaged, have repaired by authorized service facility. Inspect extension cords periodically and replace if damaged. Keep handles dry, clean, and free from oil and grease.
- 13. DISCONNECT TOOLS.** When not in use, before servicing, and when changing accessories, such as blades, bits, cutters.

14. **REMOVE ADJUSTING KEYS AND WRENCHES.** Form habit of checking to see that keys and adjusting wrenches are removed from tool before turning it on.
15. **AVOID UNINTENTIONAL STARTING.** Don't carry plugged-in tool with finger on switch. Be sure switch is OFF when plugging in.
16. **OUTDOOR USE EXTENSION CORDS.** When tool is used outdoors, use only extension cords intended for use outdoors and so marked.
17. **STAY ALERT.** Watch what you are doing, use common sense. Don't operate tool when you are tired.
18. **CHECK DAMAGED PARTS.** Before further use of the tool, a guard or other part that is damaged should be carefully checked to determine that it will operate properly and perform its intended function. Check for alignment of moving parts, binding of moving parts, breakage of parts, mounting, and any other conditions that may affect its operation. A guard or other part that is damaged should be properly repaired or replaced by an authorized service center unless otherwise indicated elsewhere in this instruction manual. Have defective switches replaced by authorized service center. Don't use tool if switch does not turn it on and off.
19. **GUARD AGAINST ELECTRIC SHOCK.** Prevent body contact with grounded surfaces. For example; pipes, radiators, ranges, refrigerator enclosures.
20. **REPLACEMENT PARTS.** When servicing, use only identical replacement parts.
21. **POLARIZED PLUGS.** To reduce the risk of electric shock, this equipment has a polarized plug (one blade is wider than the other). This plug will fit in a polarized outlet only one way. If the plug does not fit fully in the outlet, reverse the plug. If it still does not fit, contact a qualified electrician to install the proper outlet. Do not change the plug in any way.

VOLTAGE WARNING: Before connecting the tool to a power source (receptacle, outlet, etc.) be sure the voltage supplied is the same as that specified on the nameplate of the tool. A power source with voltage greater than that specified for the tool can result in **SERIOUS INJURY** to the user — as well as damage to the tool. If in doubt, **DO NOT PLUG IN THE TOOL.** Using a power source with voltage less than the nameplate rating is harmful to the motor.

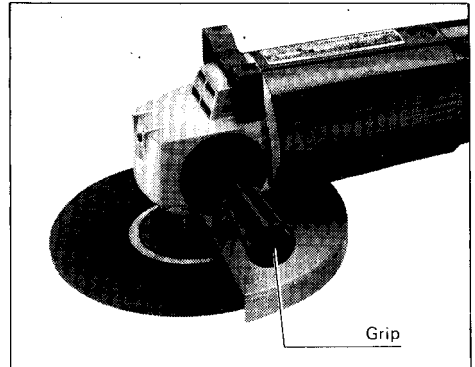
ADDITIONAL SAFETY RULES

1. Keep guards in place.
2. Use only wheels having a maximum operating speed at least as high as “No Load RPM” marked on the tool’s nameplate. When using depressed center wheels, be sure to use only fiberglass-reinforced wheels.
3. Check the wheel carefully for cracks or damage before operation. Replace cracked or damaged wheel immediately.
4. Use only flanges specified for this tool.
5. Be careful not to damage the spindle, the flange (especially the installing surface) or the lock nut. Damage to these parts could result in wheel breakage.
6. Hold the tool firmly.
7. Keep hands away from rotating parts.
8. Make sure the wheel is not contacting the workpiece before the switch is turned on.
9. Before using the tool on an actual workpiece, let it run for a while. Watch for vibration or wobbling that could indicate poor installation or a poorly balanced wheel.
10. Use the specified surface of the wheel to perform the grinding.
11. Watch out for flying sparks. Hold the tool so that sparks fly away from you and other persons or flammable materials.
12. Do not leave the tool running. Operate the tool only when hand-held.
13. Do not touch the workpiece immediately after operation; it may be extremely hot and could burn your skin.

SAVE THESE INSTRUCTIONS.

Installing side grip (auxiliary handle)

Screw the side grip on the tool securely. The side grip can be installed on either side of the tool, whichever is convenient.

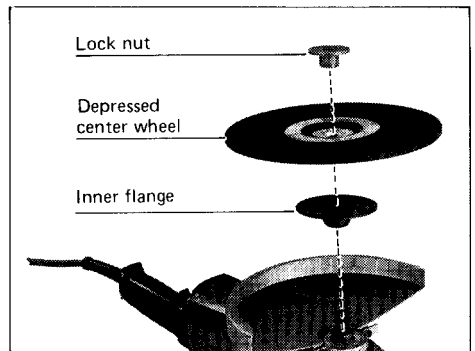


Installing or removing depressed center wheel

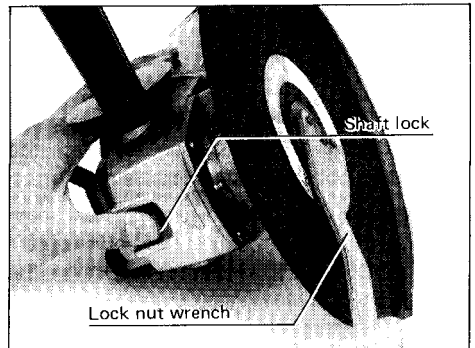
CAUTION:

Always be sure that the tool is switched off and unplugged before installing or removing the wheel.

Mount the inner flange onto the spindle. Fit the wheel on over the inner flange and screw the lock nut onto the spindle.



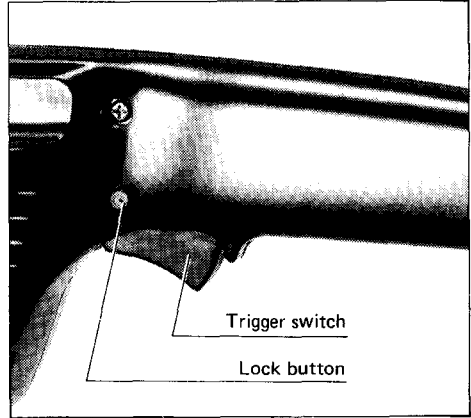
To tighten the lock nut, press the shaft lock firmly so that the spindle cannot revolve, then use the lock nut wrench and securely tighten clockwise.



To remove the wheel, follow the installation procedure in reverse.

Switch action

To start the tool, simply pull the trigger. Release the trigger to stop. For continuous operation, pull the trigger and then push in the lock button. To stop the tool from the locked position, pull the trigger fully, then release it.



CAUTION:

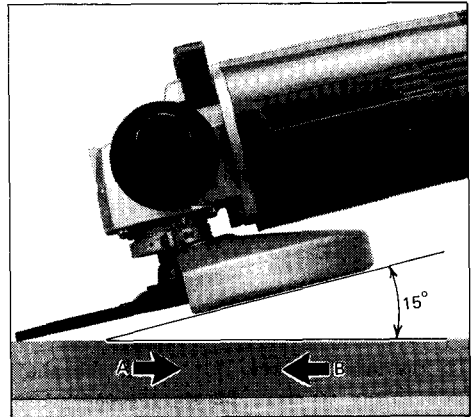
Before plugging in the tool, always check to see that the trigger switch actuates properly and returns to the "OFF" position when released.

Operation

Hold the tool firmly. Turn the tool on and then apply the wheel or disc to the workpiece.

In general, keep the edge of the wheel or disc at an angle of about 15° to the workpiece surface.

During the break-in period with a new wheel, do not work the grinder in the B direction or it will cut into the workpiece. Once the edge of the wheel has been rounded off by use, the wheel may be worked in both A and B directions.



WARNING:

- If should never be necessary to force the tool. The weight of the tool applies adequate pressure. Forcing and excessive pressure could cause dangerous wheel breakage.
- Continued use of a worn-out wheel may result in wheel explosion and serious personal injury. Depressed center wheel should not be used after it has been worn down to 115 mm (4-1/2") in diameter. Use of the wheel after this point is unsafe and it should be removed from service and rendered unusable by intentional destruction.

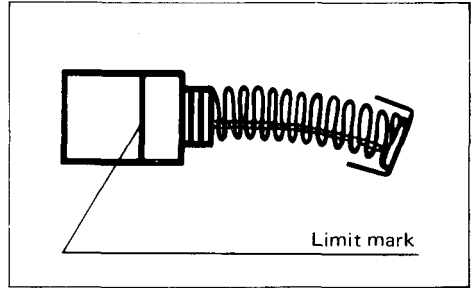
MAINTENANCE

CAUTION:

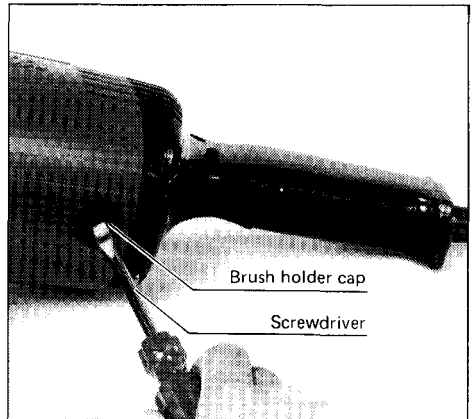
Always be sure that the tool is switched off and unplugged before attempting to perform inspection or maintenance.

Replacing carbon brushes

Remove and check the carbon brushes regularly. Replace when they wear down to the limit mark. Keep the carbon brushes clean and free to slip in the holders. Both carbon brushes should be replaced at the same time. Use only identical carbon brushes.



Use a screwdriver to remove the brush holder caps. Take out the worn carbon brushes, insert the new ones and secure the brush holder caps.

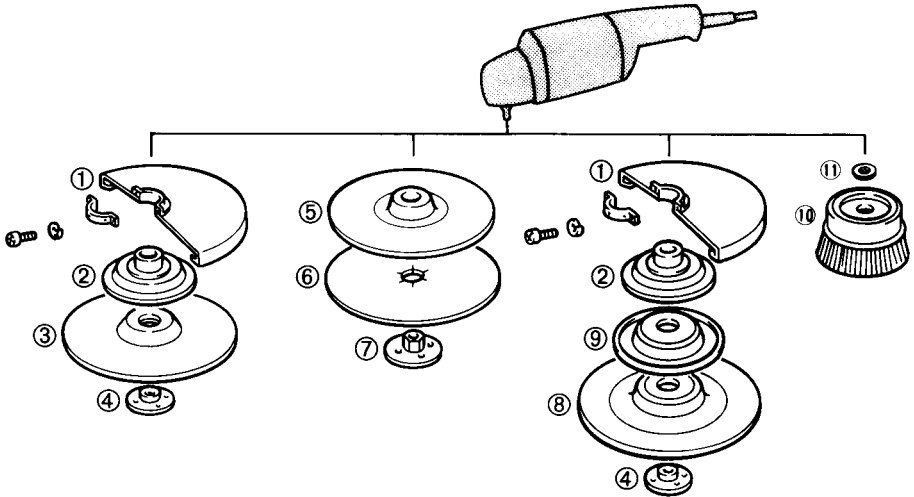


To maintain product SAFETY and RELIABILITY, repairs, any other maintenance or adjustment should be performed by Makita Authorized or Factory Service Centers, always using Makita replacement parts.

ACCESSORIES

CAUTION:

These accessories or attachments are recommended for use with your Makita tool specified in this manual. The use of any other accessories or attachments might present a risk of injury to persons. The accessories or attachments should be used only in the proper and intended manner.



① Wheel cover

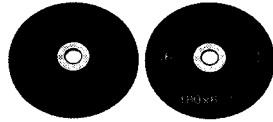


Part No.	Size (mm)	For Model
164396-4	180 (7")	9607BL
164397-2	230 (9")	9609B

② Inner flange 89 (For depressed center wheel) Part No. 224111-9



③ Depressed center wheel (1 per pkg)



Part No.	Grit	Size (mm)	For Model
741413-3	24	180 x 6 x 22	9607BL
741416-7	36	(7" x 1/4" x 7/8")	
741421-4	24	230 x 6 x 22	9609B
741422-2	36	(9" x 1/4" x 7/8")	

④ Lock nut 45 (For depressed center wheel) Part No. 224512-1



⑤ Rubber pad Part No. 743012-7



- ⑥ **Abrasive disc**
(10 per pkg)



Part No.	Grit	Diameter (mm)
794091-8	16	180 (7")
794092-6	20	
794093-4	24	
794218-0	30	
794094-2	50	
794095-0	80	
794220-3	100	
794221-1	120	

- ⑧ **Flexible grinding wheel**
(10 per pkg)



Part No.	Grit	Size (mm)
794265-1	36	180 x 3 x 22 (7" x 1/8" x 7/8") (includes one back up pad, ⑨ Part No. 743027-4)
794233-4	46	
794234-2	60	
794235-0	80	
794236-8	120	

- ⑪ **Urethane washer 14**
Part No. 261039-0

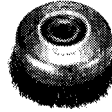


When using wire brush, mount urethane washer 14 to the spindle. It will make it easier to remove wire brush.

- ⑦ **Sanding lock nut 48**
(For abrasive disc)
Part No. 224517-1



- ⑩ **Wire cup brush**



Part No.	Diameter
743207-2	4"
743206-A	6"
743206-B	

- **Lock nut wrench 28**
Part No. 782412-6 (For 9609B)
Part No. 782413-4 (For 9607BL)

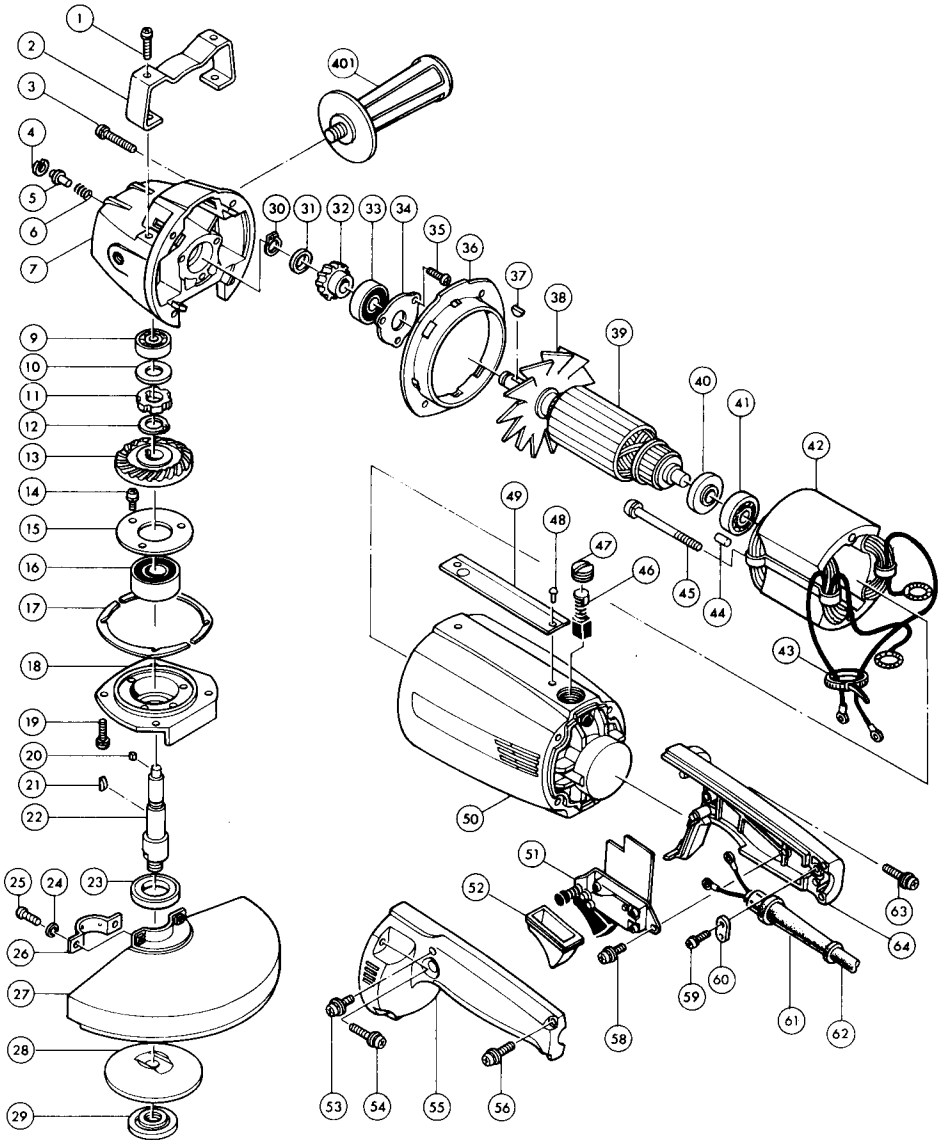


- **Grip 37**
Part No. 273480-5



DISC GRINDER

180 mm (7'') Model 9607BL
230 mm (9'') Model 9609B



Note: The switch and other part configurations may differ from country to country.

ITEM NO.	NO. USED	DESCRIPTION	ITEM NO.	NO. USED	DESCRIPTION
MACHINE			MACHINE		
1	2	Pan Head Screw M6x16 (With Washer)	34	1	Bearing Retainer 40
2	1	Tool Rest	35	3	Pan Head Screw M5x14 (With Washer)
3	4	Pan Head Screw M5x25 (With Washer)	36	1	Baffle Plate
4	1	Retaining Ring R - 12	37	1	Woodruff Key 4
5	1	Pin 6	38	1	Fan 92
6	1	Compression Spring 7	39	1	ARMATURE ASSEMBLY (With Item 38 - 41)
7	1	Gear Housing	40	1	Insulation Washer
9	1	Ball Bearing 629LB	41	1	Ball Bearing 6200LB
10	1	Flat Washer 9	42	1	FIELD ASSEMBLY
11	1	Spindle Lock Bush	43	1	Band
12	1	Retaining Ring S - 17	44	1	Rubber Pin 4
13	1	Spiral Bevel Gear 58	45	2	Pan Head Screw M5x85 (With Washer & Bond)
14	3	Pan Head Screw M5x12 (With Washer)	46	2	Carbon Brush
15	1	Bearing Retainer 48	47	2	Brush Holder Cap
16	1	Ball Bearing 6203LLB	48	2	Rivet 0-5
17	A.R.	Shim	49	1	Name Plate
18	1	Bearing Box	50	1	Motor Housing
19	4	Pan Head Screw M5x18 (With Washer)	51	1	Switch
20	1	Pin 6	52	1	Dust Cover
21	1	Woodruff Key 4	53	1	Pan Head Screw M4x25 (With Washer)
22	1	Spindle	54	2	Pan Head Screw M6x30 (With Washer)
23	1	Dust Seal 25	55	1	Handle Set (With Item 64)
24	2	Spring Washer 5	56	2	Pan Head Screw M4x25 (With Washer)
25	2	Pan Head Screw M5x16	58	2	Pan Head Screw M4x10 (With Washer)
26	1	Wheel Cover Holder	59	2	Pan Head Screw M4x18 (With Washer)
27	1	Wheel Cover	60	1	Strain Relief
28	1	Inner Flange 89	61	1	Cord Guard
29	1	Lock Nut 5/8 - 45	62	1	Cord
30	1	Retaining Ring S - 12	63	2	Pan Head Screw M6x30 (With Washer)
31	1	Ring 12	64	1	Handle Set (With Item 55)
32	1	Spiral Bevel Gear 19	401	1	Grip 37
33	1	Ball Bearing 6201LLB			

Note: The switch and other part specifications may differ from country to country.

マキタ

MAKITA LIMITED ONE YEAR WARRANTY

Warranty Policy

Every Makita tool is thoroughly inspected and tested before leaving the factory. It is warranted to be free of defects from workmanship and materials for the period of ONE YEAR from the date of original purchase. Should any trouble develop during this one-year period, return the COMPLETE tool, freight prepaid, to one of Makita's Factory or Authorized Service Centers. If inspection shows the trouble is caused by defective workmanship or material, Makita will repair (or at our option, replace) without charge.

This Warranty does not apply where:

- repairs have been made or attempted by others;
- repairs are required because of normal wear and tear;
- The tool has been abused, misused or improperly maintained;
- alterations have been made to the tool.

IN NO EVENT SHALL MAKITA BE LIABLE FOR ANY INDIRECT, INCIDENTAL OR CONSEQUENTIAL DAMAGES FROM THE SALE OR USE OF THE PRODUCT. THIS DISCLAIMER APPLIES BOTH DURING AND AFTER THE TERM OF THIS WARRANTY.

MAKITA DISCLAIMS LIABILITY FOR ANY IMPLIED WARRANTIES, INCLUDING IMPLIED WARRANTIES OF "MERCHANTABILITY" AND "FITNESS FOR A SPECIFIC PURPOSE," AFTER THE ONE-YEAR TERM OF THIS WARRANTY.

This Warranty gives you specific legal rights, and you may also have other rights which vary from state to state. Some states do not allow the exclusion or limitation of incidental or consequential damages, so the above limitation or exclusion may not apply to you. Some states do not allow limitation on how long an implied warranty lasts, so the above limitation may not apply to you.

Makita Corporation

3-11-8, Sumiyoshi-cho,
Anjo, Aichi 446 Japan

883085E061

PRINTED IN JAPAN
1992 — 9 — N