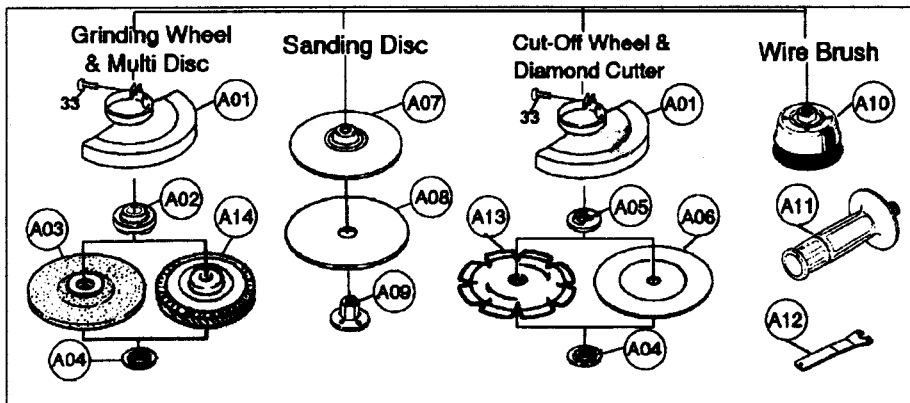
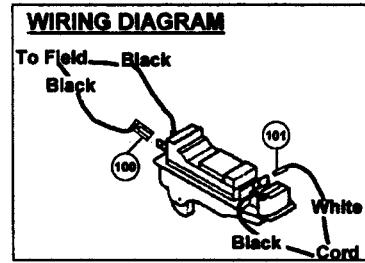
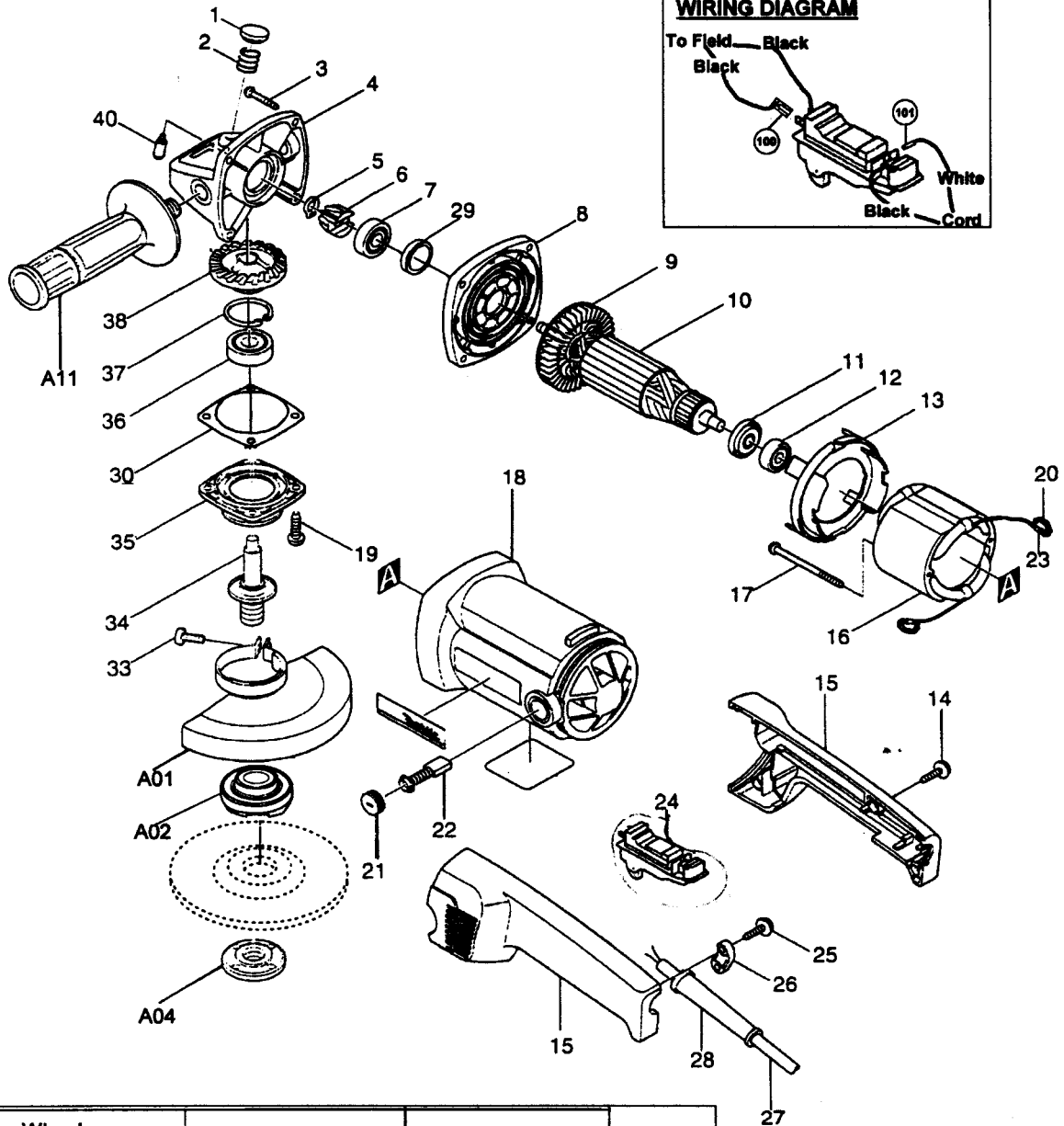




**5" DISC GRINDER
6" DISC GRINDER**

**Model 9015B (MJ)
Model 9016B* (MJ)**



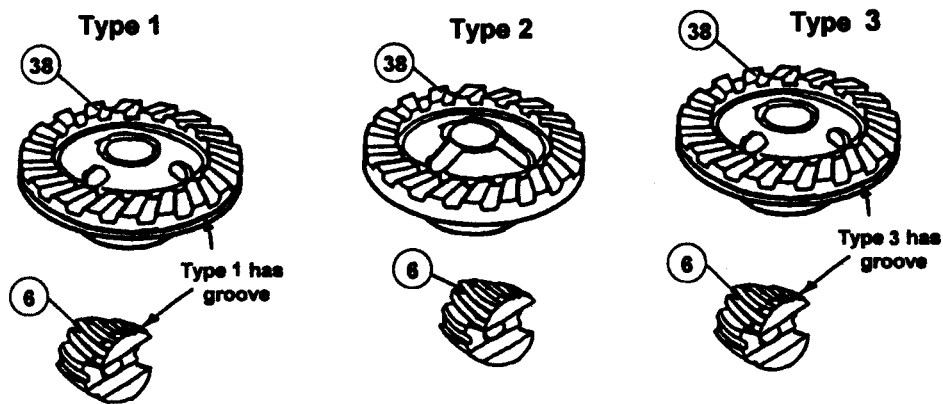
Item No.	Part No.	No. Used	Description
1	416449-8	1	Pin Cap
2	233089-5	1	Compression Spring 12
3	266173-1	4	Tapping Screw Flange PT5x30
4	*	1	Gear Housing Com. (Includes Needle Bearing 810 - 212043-2) (Items 1, 2 & 40 - NOT INCLUDED)
5	961003-8	1	Retaining Ring S-7
6	*	1	Spiral Bevel Gear 12 (9015B)
	226756-9	1	Spiral Bevel Gear 11 (9016B*)
7	211131-2	1	Ball Bearing 6001DDW
8	*	1	Gear Housing Cover
9	240010-7	1	Fan 70
10	516331-2	1	Armature Assy (Includes 9, 11 & 12)
11	681644-1	1	Insulated Washer
12	210005-4	1	Ball Bearing 608DDW
13	416448-0	1	Baffle Plate
14	265995-6	4	Tapping Screw 4x18
15	182990-0	1	Handle Set
16	522836-2	1	Field Assy (Includes Items 20 & 23)*
17	266029-8	2	Tapping Screw Flange PT5x65
18	*	1	Motor Housing Set (Includes 2x643708-9 - Brush Holder 5x11)
19	*	4	Screw
20	654020-2	2	Garter Spring
21	643750-0	2	Brush Holder Cap
22	191963-2	2	Carbon Brush CB-303 (2pcs/Set)
23	654501-6	2	Connector P-1.25
24	651143-7	1	Switch
25	265995-6	2	Tapping Screw 4x18
26	687063-9	1	Strain Relief
27	664213-3	1	Cord W/Plug 2P-16-2.5M
28	682505-8	1	Cord Guard 10-90
29	282086-4	†	Rubber Ring 29 (Added) *
30	442126-6	1	Gasket (Added) *
33	251391-4	1	P.H. Screw M5x16
34	152573-0	1	Spindle Com. (Includes 344347-5 - Labyrinth Ring)
35	316991-8	1	Bearing Box
36	211129-5	1	Ball Bearing 6201DDW
37	962151-6	1	Retaining Ring R-32
38	*	1	Spiral Bevel Gear 33 (9015B)
	226754-3	1	Spiral Bevel Gear 35 (9016B*)
40	256446-0	1	Pin 6
100	654208-4	2	Receptacle (Old 654098-5)
101	654551-1	2	Connector

Item No.	Part No.	No. Used	Description
Accessories			
A01	125097-9	1	Wheel Cover Assy (9015B) (Includes Item 33)
	134961-3	1	Wheel Cover Assy (9016B) (Includes Item 33) (Old 165213-1 - Item 33 NOT INCLUDED)
A02	224361-6	1	Inner Flange 82 (Type 1) (For D. C.W. & Multi Disc)
	224368-2	1	Inner Flange 45 (Type 2) (For D.C.W., Multi Disc, C.O.W., Diamond Wheel)
	224378-9	1	Inner Flange 45 (Type 3) (For D.C.W., Multi Disc, C.O.W., Diamond Wheel)
* When replacing Inner Flange make sure to use same type of Lock Nut			
A03	-----	1	Depressed Centre Wheel (See Catalogue for Details)
A04			
	224566-8	1	Lock Nut 5/8"-45 (Type 2) (For D.C.W., Multi Disc, C.O.W., Diamond Wheel)
	224568-4	1	Lock Nut 5/8"-45 (Type 3) (For D.C.W., MultiDisc, C.O.W., Diamond Wheel)
* When replacing Lock Nut make sure to use same Type of Inner Flange			
A05	224054-5	1	Inner Flange 40 (Type 1) (For C.O.W. & Diamond Wheel)
	224368-2	1	Inner Flange 45 (Type 2) (For C.O.W. & Diamond Wheel)
	224378-9	1	Inner Flange 45 (Type 3) (For C.O.W. & Diamond Wheel)
* When replacing Inner Flange make sure to use same type of Lock Nut			
A06	-----	1	Cut-Off Wheel (See Catalogue for Details)
A07	743015-1	1	Rubber Pad 115 (For Abr. Disc)
A08	-----	1	Abrasive Disc (See Catalogue for Details)
A09	224517-1	1	Lock Nut 5/8-48 (For Abrasive Disc)
A10	-----	1	Wire Cup Brush (5/8"-11 Arbor) (See Catalogue for Details)
A11	152492-0	1	Grip 36 Com.
A12	782412-6	1	Lock Nut Wrench 28-185
A13	-----	1	Diamond Cutter (See Catalogue for Details)
A14	-----	1	Multi Disc (See Catalogue for Details)

* SEE SERVICE CHANGE

SERVICE CHANGES

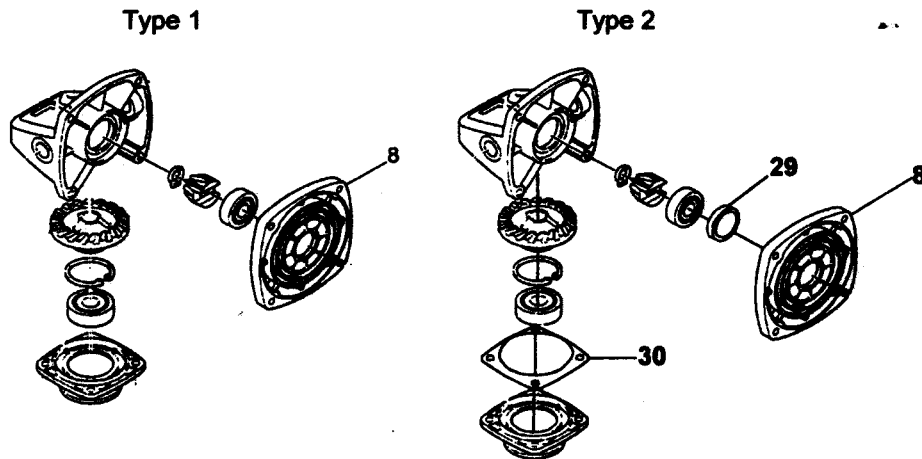
1. Change on Spiral Bevel Gear. (9015B)



Item No.	Description	Type 1	Type 2	Type 3
6	Spiral Bevel Gear 12	226755-1	226769-0	226755-1
38	Spiral Bevel Gear 33	226753-5	226768-2	226753-5
	Spiral Bevel Gear Set	183053-5	183017-9	183053-5
	Serial No.	~ 5754E	5755E ~ 33174E	33175E ~

Above parts are completely interchangeable as a set.

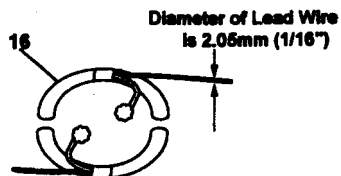
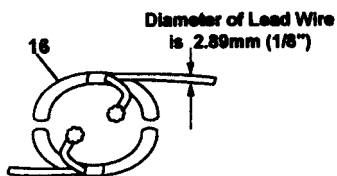
2. Change on Gear Housing and Addition of Rubber Ring.



Item No.	Description	Type 1	Type 2
8	Gear Housing Cover	316992-6 (No Longer Available)	317323-2
29	Rubber Ring 29	-----	262086-4
30	Gasket	-----	442126-6
	Serial No.		
	9015B	~ 65102E	~ 65103E
	9016B*	~ 15686E	~ 15687E

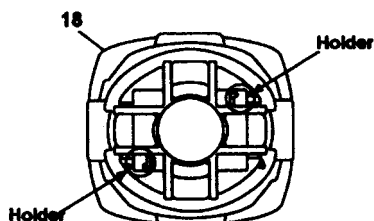
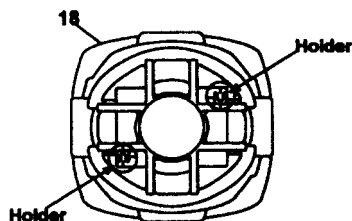
When replacing Type 1 Gear Housing Cover, replace with Type 2 Gear Housing Cover and Rubber Ring at the same time.

3. Change on Field Assy and Motor Housing Com.



Type 1

Type 2

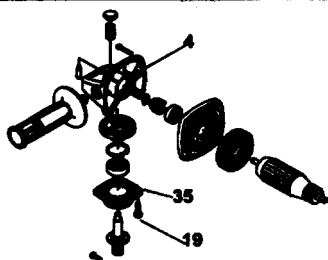


Holders on Item 18 have been modified so that the thinner lead wires can be held more firmly

Item No.	Description	Type 1	Type 2
16	Field	522836-2	
		Diameter of Lead Wire is 2.89mm (1/8")	Diameter of Lead Wire is 2.05mm (1/16")
18	Motor Housing	159996-3 (Com.)	183159-9 (Set)
	Serial # 9015B	~ 83650E	83651E ~
	Serial # 9016B*	~ 19250E	19251E ~

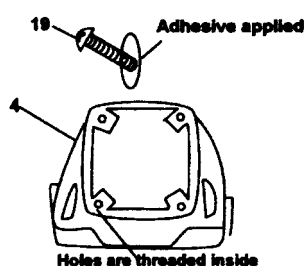
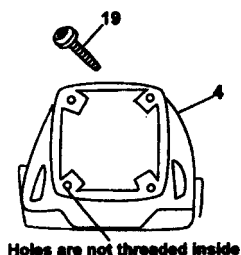
Above parts are completely interchangeable as a set.

4. Change on Tapping Screws for securing Bearing Box to Gear Housing



Type 1

Type 2



Item No.	Description	Type 1	Type 2
4	Gear Housing Com.	159995-5	153374-9
		(Includes 212043-2 - Needle Bearing 810) (Items 1, 2 & 40 - NOT INCLUDED)	
19	Screw	266027-2 - Tapping Screw CT 5X16	265096-0 - P.H. Screw M5X16
	Serial # 9015B	~ 110992E	110993E ~
	Serial # 9016B*	~ 27314E	27315E ~

Above parts are completely interchangeable as a set.