

ET-3301-J 4 1/4-INCH DISC GRINDER



JOHN DEERE

**OPERATOR'S
MANUAL**



CAUTION
RISK OF INJURY!
READ MANUAL BEFORE OPERATING!
THIS MANUAL IS AN IMPORTANT PART OF THE DISC GRINDER
AND SHOULD REMAIN WITH THIS UNIT WHEN YOU SELL OR RENT IT.

Introduction

Congratulations on the purchase of your new disc grinder! You can be assured your grinder was constructed and designed with quality and performance in mind. Each component has been rigorously tested to ensure the highest level of acceptance.

This operator's manual was compiled for your benefit. By reading and following the simple safety, installation, operation, maintenance and troubleshooting steps described in this manual, you will receive years of trouble-free operation from your new tool. The contents of this manual are based on the latest product information available at the time of publication. The manufacturer reserves the right to make changes in price, color, materials, equipment, specifications or models at any time without notice.

Once the unit has been removed from the box, immediately write in the serial number of your unit in the space provided below.

SERIAL NUMBER _____

Inspect for signs of obvious or concealed freight damage. If damage does exist, file a claim with the transportation company immediately. Be sure that all damaged parts are replaced and that the mechanical problems are corrected prior to operation of the unit. If you require service, contact your Customer Service.

Mi-T-M® Corporation, 8650 Enterprise Drive, Peosta, IA 52068
1-877-JD-KLEEN / (1-877-535-5336) Fax 563-556-1235
Monday - Friday 8:00 a.m. - 5:00 p.m. CST

Please have the following information available for all service calls:

1. Model Number
2. Serial Number
3. Date and Place of Purchase

WARNING

WEAR RESPIRATORY PROTECTION

Some dust created by power sanding, sawing, grinding, drilling and other construction activities contain chemicals known to the State of California to cause cancer, birth defects or other reproductive harm. Some examples of these chemicals are:

- Lead from lead-base paints,
- Crystalline Silica from bricks, cement and other masonry products, and
- Arsenic and Chromium from chemically-treated lumber.

Your risk from these exposures varies, depending on how often you do this type of work. To reduce your exposure to these chemicals, work in a well ventilated area and work with approved safety equipment, such as those dust masks that are specially designed to filter out microscopic particles.

Table of Content

SAFETY	4-10
GENERAL SAFETY RULES	4-10
FUNCTIONAL DESCRIPTION	11
MODEL	11
NAME OF PARTS	11
SPECIFICATIONS	11
OPERATION	12-14
APPLICATIONS	11
PRE-OPERATION	12-13
OPERATION	13-14
MAINTENANCE AND INSPECTION	15-16
MAINTENANCE AND INSPECTION	15
SERVICE AND REPAIRS	16
STANDARD ACCESSORIES	16
NOTES	17
FRENCH	18-33
SPANISH	34-51

Safety

RECOGNIZE SAFETY INFORMATION

This is the safety alert symbol. When you see this symbol on your tool or in this manual, be alert to the potential for personal injury.

Follow recommended precautions and safe operating practices.



UNDERSTAND SIGNAL WORDS

A "DANGER, WARNING or CAUTION" safety warning will be surrounded by a "SAFETY ALERT BOX." This box is used to designate and emphasize Safety Warnings that must be followed when operating this tool.

Accompanying the Safety Warnings are "signal words" which designate the degree or level of hazard seriousness. The "signal words" used in this manual are as follows:

DANGER: Indicates an imminently hazardous situation which, if not avoided, WILL result in death or serious injury.

WARNING: Indicates a potentially hazardous situation which, if not avoided, COULD result in death or serious injury.

CAUTION: Indicates a potentially hazardous situation which, if not avoided MAY result in minor or moderate injury.

▲ DANGER

▲ WARNING

▲ CAUTION

GENERAL SAFETY RULES



WARNING: Read and understand all instructions. Failure to follow all instructions listed below, may result in electric shock, fire and/or serious personal injury.



SAVE THESE INSTRUCTIONS



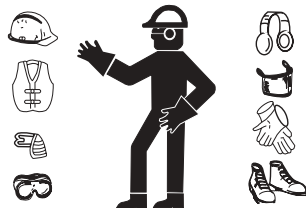
WARNING

NEVER TOUCH MOVING PARTS

Never place your hands, fingers or other body parts near the tool's moving parts.

NEVER OPERATE WITHOUT ALL GUARDS IN PLACE

Never operate this tool without all guards or safety features in place and in proper working order. If maintenance or servicing requires the removal of a guard or safety feature, be sure to replace the guard or safety feature before resuming operation of the tool.



ALWAYS WEAR EYE AND EAR PROTECTION

Protect yourself from flying or expelled wood chips, metal particles or other debris by using protective goggles or equivalent eye protector. Wear ear protector to protect yourself from excessive noise.

PROTECT YOURSELF AGAINST ELECTRIC SHOCK

Prevent body contact with grounded surfaces such as pipes, radiators, ranges and refrigeration enclosures. Never operate the tool in damp or wet locations.

DISCONNECT TOOLS

Never leave the tool connected to a power source. Always disconnect the tool from its power source before servicing, inspecting, maintaining, cleaning and before changing or checking any parts.

AVOID UNINTENTIONAL STARTING

Don't carry the tool while it is connected to its power source. Don't carry the tool with your finger near the power switch. Be sure the power switch is in the "off" position before connecting the tool to its power source.

CONSIDER WORK AREA ENVIRONMENT

Don't expose power tools to rain. Don't use power tools in damp or wet locations. Keep work area well lit and well ventilated.

Don't use tool in presence of flammable liquids or gases.

Power tools produce sparks during operation. They also spark when switching ON/OFF. Never use power tools in sites containing lacquer, paint, benzene, thinner, gasoline, gases, adhesive agents, and other materials which are combustible or explosive.

KEEP CHILDREN AWAY

Do not let visitors contact tool or extension cord. All visitors should be kept safely away from work area.



WARNING

DRESS PROPERLY

Do not wear loose clothing or jewelry. They can be caught in moving parts. Rubber gloves and non-skid footwear are recommended when working outdoors. Wear protective hair covering to contain long hair.

USE FACE, DUST MASK OR RESPIRATOR IF OPERATION IS DUSTY

All persons in the area where power tools are being operated should also wear face, dust mask or respirator.

SECURE WORK

Use clamps or a vise to hold work. It's safer than using your hand and it frees both hands to operate tool.

DON'T OVERREACH

Keep proper footing and balance at all times.

STAY ALERT

Watch what you are doing. Use common sense. Do not operate tool when you are tired.

Tools should never be used by you if you are under the influence of alcohol, drugs or medication that makes you drowsy.

HANDLE TOOL CORRECTLY

Operate the tool according to the instructions provided herein. Do not drop or throw the tool. Never allow the tool to be operated by children, individuals unfamiliar with its operation or unauthorized personnel.

CHECK FOR LIVE WIRES

Avoid the risk of severe electrical shock by checking for live electrical wires that may be buried in walls, floors or ceilings. The wires should be de-energized before work begins.

DO NOT USE POWER TOOLS IF THE PLASTIC HOUSING OR HANDLE IS CRACKED

Cracks in the tool's housing or handle can lead to electric shock. Such tools should not be used until repaired.

BLADES AND ACCESSORIES MUST BE SECURELY MOUNTED TO THE TOOL

Prevent potential injuries to yourself or others. Blades, cutting implements and accessories which have been mounted to the tool should be secure and tight.

NEVER LEAVE TOOL RUNNING UNATTENDED

Turn power off. Don't leave tool until it comes to a complete stop.



⚠ CAUTION

STORE TOOL PROPERLY

When not in use, the tool should be stored in a dry place. Keep out of reach of children. Lock-out the storage area.

KEEP WORK AREA CLEAN

Cluttered areas and benches invite injuries. Clear all work areas and work benches of unnecessary tools, debris, furniture, etc.

DON'T FORCE TOOL

It will do the job better and safer at the rate for which it was intended.

USE RIGHT TOOL

Don't force small tool or attachment to do the job of a heavy-duty tool. Don't use tool for purpose not intended—for example— don't use circular saw for cutting tree limbs or logs.

DON'T ABUSE CORD

Never carry tool by cord or yank it to disconnect from receptacle. Keep cord from heat, oil and sharp edges.

SECURE WORK

Use clamps or a vise to hold work. It's safer than using your hand and it frees both hands to operate tool.

MAINTAIN TOOLS WITH CARE

Keep tools sharp and clean for better and safer performance. Follow instructions for lubricating and changing accessories. Inspect tool cords periodically and if damaged, have repaired by an authorized dealer. Inspect extension cords periodically and replace if damaged. Keep handles dry, clean, and free from oil and grease.

REMOVE ADJUSTING KEYS AND WRENCHES

Keys and adjusting wrenches remove from tool before turning it on.

OUTDOOR USE EXTENSION CORD

When tool is used outdoors, use only extension cord intended for use outdoors and so marked.

CHECK DAMAGED PARTS

Before further use of the tool, a guard or other part that is damaged should be carefully checked to determine that it will operate properly and perform its intended function.

Check for alignment of moving parts, binding of moving parts, breakage of parts, mounting, and any other conditions that may affect its operation.

A guard or other part that is damaged should be properly repaired or replaced by an authorized dealer unless otherwise indicated elsewhere in this Instruction Manual. Have defective switches replaced by the authorized dealer. Do not use tool if switch does not turn it on and off.

NEVER USE A POWER TOOL FOR APPLICATIONS OTHER THAN THOSE SPECIFIED

Never use a power tool for applications other than those specified in the Instruction Manual.



CAUTION

HANDLE TOOL CORRECTLY

Operate the tool according to the instructions provided herein. Do not drop or throw the tool. Never allow the tool to be operated by children, individuals unfamiliar with its operation or unauthorized personnel.

KEEP ALL SCREWS, BOLTS AND COVERS TIGHTLY IN PLACE.

Keep all screws, bolts, and plates tightly mounted. Check their condition periodically.

KEEP MOTOR AIR VENT CLEAN

The tool's motor air vent must be kept clean so that air can freely flow at all times. Check for dust build-up frequently.

OPERATE POWER TOOLS AT THE RATED VOLTAGE

Operate the power tool at voltages specified on its nameplate.

If using the power tool at a higher voltage than the rated voltage, it will result in abnormally fast motor revolution and may damage the unit and the motor may burn out.

NEVER USE A TOOL WHICH IS DEFECTIVE OR OPERATING ABNORMALLY

If the tool appears to be operating unusually, making strange noises, or otherwise appears defective, stop using it immediately and arrange for repairs by a JOHN DEERE AUTHORIZED DEALER.

CAREFULLY HANDLE POWER TOOLS

Should a power tool be dropped or struck against hard materials inadvertently, it may be deformed, cracked, or damaged.

DO NOT WIPE PLASTIC PARTS WITH SOLVENT

Solvents such as gasoline, thinner benzine, carbon tetrachloride, and alcohol may damage and crack plastic parts. Do not wipe them with such solvents.

Wipe plastic parts with a soft cloth lightly dampened with soapy water and dry thoroughly.

USE ONLY GENUINE JOHN DEERE REPLACEMENT PARTS

Replacement parts not manufactured by JOHN DEERE may void your warranty and can lead to malfunction and resulting injuries. Genuine JOHN DEERE parts are available from your dealer.

POLARIZED PLUGS

To reduce the risk of electric shock, this equipment has a polarized plug (one blade is wider than the other).

This plug will fit in a polarized outlet only one way.

If the plug does not fit fully in the outlet, reverse the plug.

If it still does not fit, contact a qualified electrician to install the proper outlet.

Do not change the plug in any way.

USE ONLY DEPRESSED CENTER WHEELS HAVING A MAXIMUM OPERATING SPEED AT LEAST HIGH AS 13300 RPM.



CAUTION

USE OF EXTENSION CORD

Make sure your extension cord is in good condition. When using an extension cord, be sure to use one heavy enough to carry the current your product will draw.


An undersized cord will cause a drop in line voltage resulting in loss of power and overheating. Table shows the correct size to use depending on cord length and nameplate ampere rating. If in doubt, use the next heavier gage. The smaller the gage number, the heavier the cord.

		MINIMUM GAGE FOR CORD SETS			
		Total Length of Cord in Feet (Meter)			
		0 – 25 (0 – 7.6)	26 – 50 (7.9 – 15.2)	51 – 100 (15.5 – 30.5)	101 – 150 (30.8 – 45.7)
Ampere More Than	Rating Not More Than	AWG			
	0 – 6	18	16	16	14
	6 – 10	18	16	14	12
	10 – 12	16	16	14	12
	12 – 16	14	12	Not Recommended	



WARNING: AVOID ELECTRICAL SHOCK HAZARD. NEVER USE THIS TOOL WITH A DAMAGED OR FRAYED ELECTRICAL CORD OR EXTENSION CORD. INSPECT ALL ELECTRICAL CORDS REGULARLY. NEVER USE IN OR NEAR WATER OR IN ANY ENVIRONMENT WHERE ELECTRIC SHOCK IS POSSIBLE.

DOUBLE INSULATION FOR SAFER OPERATION

To ensure safer operation of this power tool, JOHN DEERE has adopted a double insulation design. “Double insulation “ means that two physically separated insulation systems have been used to insulate the electrically conductive materials connected to the power supply from the outer frame handled by the operator. Therefore, either the symbol  or the words “Double insulation” appear on the power tool or on the nameplate.

Although this system has no external grounding, you must still follow the normal electrical safety precautions given in this Instruction Manual, including not using the power tool in wet environments.

To keep the double insulation system effective, follow these precautions:

- Only a **AUTHORIZED JOHN DEERE DEALER** should disassemble or assemble this power tool, and only genuine JOHN DEERE replacement parts should be installed.
- Clean the exterior of the power tool only with a soft cloth moistened with soapy water, and dry thoroughly. Never use solvents, gasoline or thinners on plastic components; otherwise the plastic may dissolve.



IMPORTANT

IMPORTANT SAFETY INSTRUCTIONS FOR USE OF THE DISC GRINDER



WARNING: DEATH OR SERIOUS BODILY INJURY COULD RESULT FROM IMPROPER OR UNSAFE USE OF THE DISC GRINDER.

1. NEVER operate the disc grinder without its wheel guard in place.
2. NEVER place hands or body parts near the disc during operation.
3. NEVER use a depressed center wheel which is cracked or deformed or worn away.
4. NEVER use a depressed center wheel with an RPM rating which is less than 13300 RPM. The wheel can disintegrate during use and cause severe injuries.
5. NEVER use the grinder in places where the sparks generated by the grinder can cause explosion, such as where flammable materials or gases are present.
6. NEVER push in the lock pin while the spindle is running.
7. ALWAYS wear eye protection that meets the requirement of the latest revision of ANSI Standard Z87.1.
8. ALWAYS wear a mask or respirator to protect yourself from dust or potentially harmful particles generated during the grinding operation.
9. ALWAYS firmly grip the body handle and side handle while operating the grinder.
10. ALWAYS have a trial run before grinding commence.
11. ALWAYS follow the instructions contained in this manual when replacing the depressed center wheel.

REPLACEMENT PARTS

When servicing use only identical replacement parts.

Repairs should be conducted only by an AUTHORIZED JOHN DEERE DEALER.

SAVE THESE INSTRUCTIONS AND MAKE THEM AVAILABLE TO OTHER USERS AND OWNERS OF THIS TOOL!

Functional Description

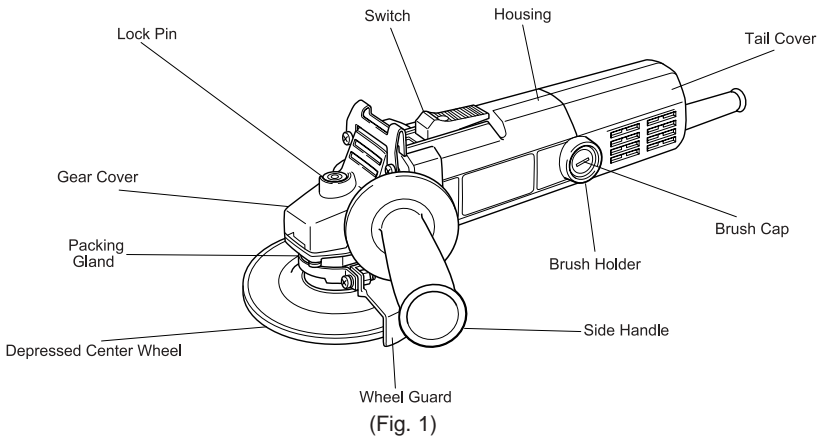
MODEL:

ET-3301-J 4 1/4-INCH DISC GRINDER

NOTE: *The information contained in this Instruction Manual is designed to assist you in the safe operation and maintenance of the power tool.*

NEVER operate, or attempt any maintenance on the tool unless you have first read and understood all safety instructions contained in this manual.

Some illustrations in this Instruction Manual may show details or attachments that differ from those on your own power tool.

NAME OF PARTS:**SPECIFICATIONS:**

4 1/4-INCH DISC GRINDER ET-3301-J:

Motor	Single-Phase Series Commutator Motor
Power Source	Single-Phase 115V AC 60Hz
Current	5A
No-Load Speed	11000/min
Wheel Size:	
external diam.	4-1/2" (115 mm)
hole diam.	7/8" (22 mm)
Weight	5.3 lbs (2.5 kg)
Spindle Thread	U5/8"-11

Operation

APPLICATIONS:

- Removal of casting fin and finishing of various type of steel, bronze and aluminum materials and castings.
- Grinding of welded sections or sections cut by means of an acetylene torch.
- Grinding of synthetic resins, slate, brick, marble.

PRE-OPERATION:

1. Power source:
Ensure that the power source to be utilized conforms to the power source requirements specified on the product nameplate.
2. Power switch:
Ensure that the switch is in the OFF position. If the plug is connected to a receptacle while the switch is in the ON position, the power tool will start operating immediately and can cause serious injury.
3. Extension cord:
When the work area is far away from the power source, use an extension cord of sufficient thickness and rated capacity. The extension cord should be kept as short as practicable.
4. Check the receptacle:
If the receptacle only loosely accepts the plug, the receptacle must be repaired. Contact a licensed electrician to make appropriate repairs.
If such a faulty receptacle is used, it may cause overheating, resulting in a serious hazard.
5. Check your working environment:
Ensure the following before operation;
 - a. No flammable gas, liquid, or object at worksite.
 - b. Grinding thin steel sheet may cause a high booming sound.
In this case, place a rubber mat under the workpiece.
 - c. Take appropriate noise preventive measures to prevent adverse affects on the environment by electrical noise.
 - d. Clear the area of children or unauthorized personnel.
6. Mounting the wheel guard:
Be sure to mount the wheel guard at an angle that will protect the operator's body from injury by a broken wheel piece.



WARNING: IF NOT CORRECTLY ATTACHING A PROPER WHEEL GUARD, IT MAY LEAD TO SEVERE INJURY OR DEATH IF THE DEPRESSED CENTER WHEEL SHOULD BE BROKEN.

7. Inspect the depressed center wheel carefully before mounting:
Thoroughly check that a specified depressed center wheel free of cracks and splits is mounted. Make sure that the depressed center wheel is firmly clamped and has been mounted in accordance with the instructions contained on page 13-14.

Operation

PRE-OPERATION (CONTINUED):

8. Test the grinder before using:
Before actually beginning the grinding work, test the grinder by first clearing the area of all other personnel. Make sure the wheel guard is in place and that you are wearing eye protection. Turn the grinder "on", and make sure the grinder runs smoothly and shows no abnormalities.
Duration of the trial run is as follows:

When depressed center wheel is replaced	3 minutes or more
When starting daily work	1 minute or more
9. Use only properly rated depressed center wheels:
Use only depressed center wheels rated at 13300 RPM or more.
Using a depressed center wheel rated less can lead to wheel disintegration during operation and serious bodily injury.
10. Check the lock pin:
Make sure that the lock pin is disengaged by pushing lock pin two or three times before turning on the grinder.

OPERATION:

1. Hold the grinder firmly by its housing and side handle (Fig. 1).
The grinder produces a counterforce which must be controlled by firmly holding onto the grinder.
2. Turn the grinder "on":
While holding the grinder firmly, use one finger to slide the switch to the "on" position.
3. Use light grinding pressure:
There is no need to press hard when grinding. Usually the grinder's own weight is sufficient to allow the required light contact with the surface to be ground.



WARNING: DO NOT PRESS THE GRINDER FORCIBLY AGAINST THE SURFACE TO BE GROUND. HEAVY PRESSURE CAN RESULT IN WHEEL BREAKAGE AND SERIOUS INJURY. IT CAN ALSO DAMAGE THE SURFACE BEING GROUND OR DAMAGE THE GRINDER'S MOTOR.

4. Use proper grinding angle.
Grind only with the wheel's edge by lifting the grinder 15° to 30°, as shown in Fig. 2.



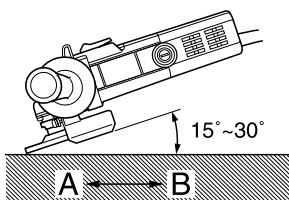
CAUTION: DO NOT USE THE ENTIRE SURFACE OF THE DEPRESSED CENTER WHEEL. USE ONLY THE EDGE OF THE DEPRESSED CENTER WHEEL.

Operation

OPERATION (CONTINUED):

5. Move the grinder in the proper direction:
When using a new depressed center wheel in direction A (Fig. 2), the wheel edge may cut into the workpiece. In this case, grind in direction B (Fig. 2). Once the wheel edge is worn, the workpiece can be ground in both directions.

NOTE: The wheel provided (resinoid wheel) is rated as Class A grain and # 36 grain size. It is most suitable for heavy grinding of steel and other types of materials.



(Fig. 2)

6. Adjust operation to desired finish:
For a fine finish, decrease pressure by lifting slightly.
Grind slowly and at the appropriate speed.



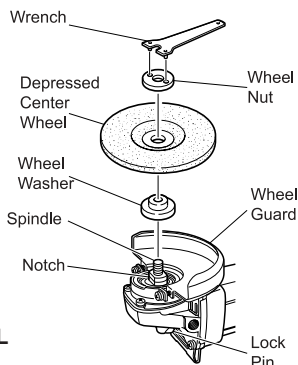
CAUTION: THE REVOLVING DEPRESSED CENTER WHEEL WILL CREATE AIR TURBULENCE. DO NOT LAY THE GRINDER DOWN IN AREAS OF DUST OR DIRT UNTIL IT HAS COME TO A COMPLETE STOP.

DEPRESSED CENTER WHEEL ASSEMBLY AND DISASSEMBLY:



WARNING: NEVER ATTEMPT TO ASSEMBLE OR DISASSEMBLE THE DEPRESSED CENTER WHEEL WHILE THE GRINDER IS CAPABLE OF BEING TURNED "ON". BE SURE POWER SWITCH IS IN THE "OFF" POSITION AND THE ELECTRICAL CORD HAS BEEN DISCONNECTED FROM THE RECEPTACLE.

1. Assembling
 - a. Turn the disc grinder upsidedown so that the spindle is facing upward.
 - b. Align the oval-shaped indentation of the wheel washer with the notched part of the spindle, then attach them.
 - c. Fit the protuberance of the depressed center wheel onto the wheel washer.
 - d. Screw the wheel nut onto the spindle.
 - e. While pushing the lock pin with one hand, lock the spindle by turning the depressed center wheel slowly with the other hand. Tighten the wheel nut by using the supplied wrench as shown in Fig. 3.



(Fig. 3)



CAUTION: TIGHTEN THE WHEEL NUT SECURELY AND CONFIRM THAT THE DEPRESSED CENTER WHEEL DOES NOT WOBBLE.

2. Disassembling:
To remove the depressed center wheel, follow the above-mentioned procedure in reverse order.

Maintenance and Inspection

MAINTENANCE AND INSPECTION:



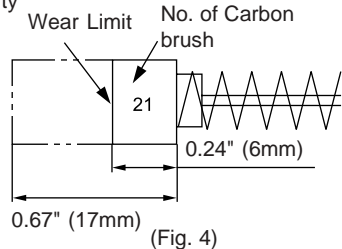
WARNING: BE SURE TO SWITCH POWER OFF AND DISCONNECT THE PLUG FROM THE RECEPTACLE DURING MAINTENANCE AND INSPECTION.

1. Replacing the depressed center wheel:
Replace the depressed center wheel when it has been worn out to about 2-3/8" (60mm) in external diameter. Confirm that there is no crack or any damage to the depressed center wheel. If there is a crack or a transformation in the wheel, replace it immediately.
2. Inspecting the mounting screws:
Regularly inspect all mounting screws and ensure that they are properly tightened. Should any of the screws be loosened, retighten them immediately.



WARNING: USING THIS GRINDER WITH LOOSE SCREWS IS EXTREMELY DANGEROUS.

3. Confirm that there is no damage in the wheel guard, the cord and the housing, etc.
Furthermore, confirm that there is no abnormality in the activation of the switch.
4. Inspecting the carbon brushes (Fig. 4):
The motor employs carbon brushes which are consumable parts. Replace the carbon brush with a new one when it becomes worn to its wear limit. Always keep carbon brushes clean and ensure that they slide freely within the brush holders.



CAUTION: USING THIS GRINDER WITH A CARBON BRUSH WHICH IS WORN IN EXCESS OF THE WEAR LIMIT WILL DAMAGE THE MOTOR.

NOTE: Use JOHN DEERE carbon brush No. 21 indicated in Fig. 4.

- a. Replacing carbon brushes:
Remove the brush caps (Fig. 1) with a slotted screwdriver. The carbon brushes can then be easily removed.

Maintenance and Inspection

SERVICE AND REPAIRS:

All quality power tools will eventually require servicing or replacement of parts because of wear from normal use. To assure that only authorized replacement parts will be used, all service and repairs must be performed by a JOHN DEERE AUTHORIZED DEALER, ONLY.



WARNING: ACCESSORIES FOR THIS POWER TOOL ARE MENTIONED IN THIS INSTRUCTION MANUAL. THE USE OF ANY OTHER ATTACHMENT OR ACCESSORY CAN BE DANGEROUS AND COULD CAUSE INJURY OR MECHANICAL DAMAGE.

STANDARD ACCESSORIES:

-Wrench	1
-Side Handle	1
-Depressed center wheel	1
4-1/2" (115 mm) external dia. x 1/4" (6 mm) thickness x 7/8" (22 mm) hole dia.	

NOTE: *Accessories are subject to change without any obligation on the part of JOHN DEERE.*

Notes

Introduction

Félicitations de l'achat de votre nouveau la clé à outil! Vous pouvez être assuré que votre nouveau la outil a été construit avec le plus haut niveau de précision et de fiabilité. Chaque composant a été rigoureusement testé par des techniciens pour assurer la qualité, la durabilité et la performance de ce outil.

Ce manuel opérateur a été dressé pour que vous en retiriez le meilleur parti. Par la lecture et l'application des mesures simples de sécurité, d'installation et d'opération, d'entretien et de dépannage décrites dans ce manuel, votre nouveau outil. Fonctionnera sans faille pendant de nombreuses années. Le contenu de ce manuel est basé sur la dernière information disponible du produit au moment de la publication. Félicitations se réserve le droit d'effectuer des changements de prix, de couleur, de matériaux, d'équipement, de caractéristiques ou de modèles à tout moment sans communication préalable.

Une fois l'appareil déballé, écrivez immédiatement le numéro de série de votre appareil dans l'espace cidessous.

NUMÉRO DE SÉRIE _____

Assurez vous qu'il n'y a pas de signes de dommages évidents ou cachés suite au transport. En cas de dommage, remplissez immédiatement une réclamation avec la compagnie de transport. Assurez vous que toutes les pièces endommagées sont remplacées et les problèmes mécaniques et électriques corrigés avant l'utilisation de l'appareil. Si vous avez besoin d'assistance, entrez en contact avec votre service clientèle.

Mi-T-M[®] Corporation, 8650 Enterprise Drive, Peosta, IA 52068-0050
Tél.: JD-KLEEN (1-877-535-5336) Fax 563-556-1235
du lundi au vendredi de 8h00 à 17h, CST (heure centrale)

Veillez avoir les informations suivantes disponibles pour toute intervention:

1. Numéro de modèle
2. Numéro de série
3. Date et lieu d'achat

AVERTISSEMENT

LE PORT D'UNE PROTECTION RESPIRATOIRE EST RECOMMANDÉ

Certaines poussières produites par le sablage, le sciage, le broyage, le perçage, et autres activités de construction contiennent des produits chimiques connus par l'Etat de Californie pour cause de cancer, de défauts de naissance ou de problèmes de reproduction. Des exemples de ces produits chimiques sont:

- Du plomb provenant de peintures à base de plomb.
- De la silice de Crystalline provenant de briques, de ciment et d'autres produits de maçonnerie.
- De l'arsenic et du chrome provenant de bois de charpente traité chimiquement.

Votre risque de ces contacts varie selon le temps passé à faire ce genre de travail. Pour réduire votre exposition à ces produits chimiques, travailler dans un endroit bien aéré et avec un équipement de sécurité approuvé tels que les masques de poussière conçus spécialement pour filtrer les particules microscopiques.

Table Des Matieres

SÉCURITÉ	20-26
SIGNIFICATION DES MOTS D'AVERTISSEMENT	20-26
DESCRIPTION FONCTIONNELLE	27
MAQUETTE	27
NOM DES PARTIES	27
SPECIFICATIONS	27
UTILISATION	28-30
APPLICATIONS	28
AVANT L'UTILISATION	28-29
UTILISATION	29-30
ENTRETIEN ET INSPECTIONS	31-32
ENTRETIEN ET INSPECTIONS	31
ENTRETIEN ET RÉPARATION	32
ACCESSOIRES STANDARD	32
NOTE	33

Sécurité

RECONNAÎTRE LES SYMBOLES DE MISE EN GARDE

Voici le symbole de mise en garde. Lorsqu'il apparaît sur la outil ou dans la présente publication, c'est pour prévenir d'un risque potentiel de blessure.



Respecter tous les conseil de sécurité ainsi que les consignes générales de prévention des accidents.

COMPRENDRE LES TERMES DE MISE EN GARDE

Les avertissements de sécurité "DANGER, AVERTISSEMENT ou ATTENTION" seront entourés par un "ENCADRE ALERTE SECURITE". Cet encadré est utilisé pour indiquer et souligner les avertissements de sécurité qui doivent être suivis en actionnant d'outils. En plus des avertissements de sécurité, des "mots d'alerte" sont utilisés pour indiquer le degré ou niveau de risque. Les "mots d'alerte" utilisés dans ce manuel sont comme suit:

▲ DANGER

▲ AVERTISSEMENT

▲ ATTENTION

DANGER: Indique une situation au danger imminent qui, si elle n'est pas évitée, ENTRAINERA la mort ou des blessures graves.

AVERTISSEMENT: Indique une situation potentiellement dangereuse qui, si elle n'est pas évitée, POURRAIT entraîner la mort ou des blessures graves.

ATTENTION: Indique une situation potentiellement dangereuse, qui, si elle n'est pas évitée, PEUT entraîner des blessures mineures ou peu graves et des dégats au compresseur.

REGLES GENERALE DE SECURITE



AVERTISSEMENT: Lire et coxprendre toutes les instructions. Un non respect de toutes les intrucitons ci-dessous peut entraîner une électrocution, un incedie et/ou de sérieuses blessures personnelles.



CONSERVER CES INSTRUCTIONS



ADVERTISSEMENT

NE JAMAIS TOUCHER LES PARTIES MOBILES

Ne jamais placer ses mains, ses doigts ou toute autre partie de son corps près des parties mobiles de l'outil.

NE JAMAIS UTILISER L'OUTIL SANS QUE TOUS LES DISPOSITIFS DE SECURITE NE SOIENT EN PLACE

Ne jamais faire fonctionner cet outil sans que tous les dispositifs et caractéristiques de sécurité ne soient en place et en état de fonctionnement. Si un entretien ou une réparation nécessite le retrait d'un dispositif ou d'une caractéristique de sécurité, s'assurer de bien remettre en place le dispositif ou la caractéristique de sécurité avant de recommencer à utiliser l'outil.



TOUJOURS SE PROTEGER LES YEUX ET LES OREILLES

Pour se protéger des projections de copeaux de bois, particules métalliques ou autres débris, porter des lunettes de protection ou un masque pour les yeux. Porter des protections anti-bruit pour se protéger du bruit.

SE PROTEGER CONTRE LES DECHARGES ELECTRIQUES

Empêcher tout contact du corps avec les surfaces mises à la terre, par exemple tuyaux, radiateurs, plaques de cuisson et enceintes de réfrigération. Ne jamais faire fonctionner l'outil dans un endroit humide ou mouillé.

DEBRANCHER LES OUTILS

Ne jamais laisser l'outil branché dans une source d'alimentation. Toujours débrancher l'outil de la source d'alimentation avant tout travail de réparation, d'inspection, d'entretien, de nettoyage, de remplacement ou de vérification des pièces.

EVITER TOUTE MISE EN MARCHÉ INOPINÉE

Ne pas transporter l'outil pendant qu'il est raccordé à la source d'alimentation. Ne pas transporter l'outil avec le doigt près de l'interrupteur d'alimentation. Bien s'assurer que l'interrupteur d'alimentation se trouve sur la position "OFF" (arrêt) avant de raccorder l'outil à la source d'alimentation.



ADVERTISSEMENT

CONSIDERER L'ENVIRONNEMENT DE L'AIRE DE TRAVAIL

Ne pas exposer les outils à la pluie. Ne pas les utiliser dans un endroit humide ou mouillé. Veiller à ce que l'aire de travail soit bien éclairée et bien aérée.

Ne pas utiliser l'outil en présence de liquides ou de gaz inflammables.

Les outils projettent des étincelles pendant qu'ils fonctionnent. Ne jamais utiliser les outils dans un lieu renfermant de la laque, de la peinture, du diluant, de l'essence, des gaz, des produits adhésifs ni aucun autre matériau combustible ou explosif.

ELOIGNER LES ENFANTS

Ne pas laisser les visiteurs toucher l'outil ou le cordon de rallonge. Tous les visiteurs devront être suffisamment éloignés de l'aire de travail.

SE VETIR CORRECTEMENT

Ne pas porter de vêtements lâches ni de bijoux. Ils pourraient se prendre dans les pièces en mouvement. Il est recommandé de porter des gants en caoutchouc et des chaussures anti-glissantes lors d'un travail à l'extérieur. Porter un couvre-chef qui recouvre les cheveux longs.

PORTER UN MASQUE, UN MASQUE ANTI-POUSSIÈRE OU UN APPAREIL RESPIRATOIRE SI LE TRAVAIL DOIT DÉGAGER DE LA POUSSIÈRE

Toutes les personnes présentes sur l'aire de travail devront également porter un masque, un masque anti-poussière ou un appareil respiratoire.

NE PAS TROP SE PENCHER

Garder une bonne assise et un bon équilibre à tout moment.

RESTER SUR SES GARDES

Bien faire attention à ce que l'on fait. Faire preuve de bon sens. Ne pas utiliser l'outil lorsqu'on est fatigué. Ne jamais utiliser l'outil si l'on est sous l'influence d'alcool, de drogues ou de médicaments qui rendent somnolent.

VERIFIER S'IL Y A DES FILS SOUS TENSION

Pour éviter tout risque de choc électrique grave, vérifier s'il y a des fils électriques sous tension encastrés dans le mur, le plancher ou le plafond. Couper l'alimentation des fils avant le travail.

NE PAS UTILISER LES OUTILS MOTORISÉS SI LE REVÊTEMENT DE PLASTIQUE OU LA POIGNÉE EST FENDU

Des fentes dans le revêtement ou la poignée peuvent entraîner une électrocution. De tels outils ne doivent pas être utilisés avant d'être réparés.

NE JAMAIS LAISSER FONCTIONNER L'OUTIL SANS SURVEILLANCE

Le mettre hors tension. Ne pas abandonner l'outil avant qu'il ne soit complètement arrêté.



ATTENTION

REMISER L'OUTIL CORRECTEMENT

Lorsqu'on ne se sert pas de l'outil, le remiser dans un endroit sec. Veiller à ce qu'il soit hors d'atteinte des enfants. Fermer le local de remisage à clé.

MAINTENIR L'AIRE DE TRAVAIL PROPRE

Les aires de travail et les établis encombrés favorisent les accidents. Débarrasser l'aire de travail et les établis des outils inutiles, débris, meubles, etc.

SE VETIR CORRECTEMENT

Ne pas porter de vêtements lâches ni de bijoux. Ils pourraient se prendre dans les pièces en mouvement. Il est recommandé de porter des gants en caoutchouc et des chaussures anti-glissantes lors d'un travail à l'extérieur. Porter un couvre-chef qui recouvre les cheveux longs.

PORTER UN MASQUE, UN MASQUE ANTI-POUSSIÈRE OU UN APPAREIL RESPIRATOIRE SI LE TRAVAIL DOIT DÉGAGER DE LA POUSSIÈRE

Toutes les personnes présentes sur l'aire de travail devront également porter un masque, un masque anti-poussière ou un appareil respiratoire.

ENTREtenir LES OUTILS AVEC SOIN

Maintenir les outils aiguisés et propres pour optimiser le travail et la sécurité. Suivre les instructions de graissage et de remplacement des accessoires. Vérifier périodiquement les cordons d'outil et les faire réparer par un centre de réparation agréé s'ils sont endommagés. Vérifier périodiquement les cordons de rallonge et les faire remplacer s'ils sont endommagés. Maintenir les poignées sèches et propres, et enlever toute graisse et toute huile dessus.

RESTER SUR SES GARDES

Bien faire attention à ce que l'on fait. Faire preuve de bon sens. Ne pas utiliser l'outil lorsqu'on est fatigué. Ne jamais utiliser l'outil si l'on est sous l'influence d'alcool, de drogues ou de médicaments qui rendent somnolent.

MAINTENIR TOUTES LES VIS, TOUS LES BOULONS ET LES COUVERCLES FERMEMENT EN PLACE

Maintenir toutes les vis, tous les boulons et les couvercles fermement montés. Vérifier leurs conditions périodiquement.

GARDER PROPRES LES ÉVÈNEMENTS D'AIR DU MOTEUR

Les événements d'air du moteur doivent être maintenus propres de façon que l'air puisse circuler librement tout le temps. Vérifier les accumulations de poussière fréquemment.

UTILISER L'OUTIL MOTORISÉ À LA TENSION NOMINALE

Utiliser l'outil motorisé à la tension spécifiée sur sa plaque signalétique. Si l'on utilise l'outil motorisé avec une tension supérieure à la tension nominale, il en résultera une rotation anormalement trop rapide du moteur et cela risque d'endommager l'outil et le moteur risque de griller.



ATTENTION

NE JAMAIS UTILISER UN OUTIL DEFECTUEUX OU QUI FONCTIONNE ANORMALEMENT

Si l'outil n'a pas l'air de fonctionner normalement, fait des bruits étranges ou sans cela paraît défectueux, arrêter de l'utiliser immédiatement et le faire réparer par un centre de service JOHN DEERE autorisé.

MANIPULER L'OUTIL MOTORISÉ AVEC PRECAUTION

Si un outil motorisé tombe ou frappe un matériau dur accidentellement, il risque d'être déformé, fendu ou endommagé.

NE PAS ESSUYER LES PARTIES EN PLASTIQUE AVEC DU SOLVANT

Les solvants comme l'essence, les diluants, la benzine, le tétrachlorure de carbone et l'alcool peuvent endommager et fissurer les parties en plastique. Ne pas les essuyer avec de tels solvants. Essuyer les parties en plastique avec un chiffon doux légèrement imbibé d'une solution d'eau savonneuse et sécher minutieusement.

UTILISER EXCLUSIVEMENT DES PIÈCES DE RECHANGE JOHN DEERE D'ORIGINE

Les pièces de rechange non fabriquées par JOHN DEERE risquent d'annuler la garantie et d'entraîner un mauvais fonctionnement et des blessures. Les pièces JOHN DEERE d'origine sont disponibles auprès de son concessionnaire.

FICHES POLARISÉES

Pour réduire tout risque de choc électrique, l'appareil possède une fiche polarisée (l'une des lames est plus large que l'autre).

Cette fiche ne rentrera dans une prise polarisée que dans un sens.

Si la fiche ne rentre pas dans la prise, l'inverser.

Si elle ne rentre toujours pas, faire installer une prise appropriée par un électricien qualifié.

Ne pas modifier la fiche de quelque façon que ce soit.

UTILISER UNIQUEMENT DES MEULES À DÉPRESSION CENTRALE AYANT UNE VITESSE DE FONCTIONNEMENT MAXIMALE D'AU MOINS 13300 TR/MN.



ATTENTION

UTILISATION D'UN CORDON DE RALLONGE

Utiliser exclusivement un cordon de rallonge en bon état. Lorsqu'on utilise un cordon de rallonge, veiller à ce qu'il soit suffisamment lourd pour supporter le courant dont l'appareil aura besoin. Un cordon trop petit provoquera une chute de la tension de ligne, ce qui entraînera une perte de puissance et une surchauffe. Le tableau indique le calibre à utiliser en fonction de la longueur du cordon et de l'intensité nominale indiquée sur la plaque signalétique. En cas de doute, utiliser un calibre supérieur. Plus le numéro du calibre est petit, plus le cordon est lourd.


CALIBRE MINIMUM DES CORDONS					
Longueur totale de cordon en pieds (mètres)					
		0-25	26-50	51-100	101-150
		(0-7,6)	(7,9-15,2)	(15,5-30,05)	(30,8-45,7)
Intensité nominale		Calibre			
Supérieure	Non supérieure				
0	6	18	16	16	14
6	10	18	16	14	12
10	12	16	16	14	12
12	16	14	12	Non recommandé	



AVERTISSEMENT: EVITER TOUT RISQUE DE CHOC ÉLECTRIQUE. NE JAMAIS UTILISER L'OUTIL AVEC UN CORDON ÉLECTRIQUE OU UN CORDON DE RALLONGE ENDOMMAGÉ OU DÉNUDÉ. INSPECTER RÉGULIÈREMENT LES CORDONS ÉLECTRIQUES. NE JAMAIS UTILISER DANS L'EAU OU À PROXIMITÉ D'EAU, NI DANS UN ENVIRONNEMENT SUSCEPTIBLE DE PROVOQUER UN CHOC ÉLECTRIQUE.

DOUBLE ISOLATION POUR UN FONCTIONNEMENT PLUS SUR



Pour assurer un fonctionnement plus sûr de cet outil motorisé, JOHN DEERE a adopté une conception à double isolation. "Double isolation" signifie que deux systèmes d'isolation physiquement séparés ont été utilisés pour isoler les matériaux conducteurs d'électricité connectés à l'outil motorisé à partir du cadre extérieur manipulé par l'utilisateur. C'est pourquoi, le symbole "  " ou les mots "Double insulation" (double isolation) apparaissent sur l'outil motorisé ou sur la plaque signalétique.

Bien que ce système n'ait pas de mise à terre extérieure, il est quand même nécessaire de suivre les précautions de sécurité électrique données dans ce mode d'emploi, y-compris de ne pas utiliser l'outil motorisé dans un environnement humide.

Pour garder le système de double isolation effectif, suivre ces précautions:

1. Seuls les CENTRES DE SERVICE AUTORISÉS JOHN DEERE peuvent démonter et remonter cet outil motorisé et uniquement des pièces de rechange JOHN DEERE garanties d'origine doivent être utilisées.
2. Nettoyer l'extérieur de l'outil motorisé uniquement avec un chiffon doux légèrement imbibé d'une solution savonneuse et essuyer minutieusement. Ne jamais utiliser des solvants, de l'essence ou des diluants sur les parties en plastique; sinon le plastique risquerait de se dissoudre.



IMPORTANT

CONSIGNES DE SECURITE IMPORTANTES POUR L'UTILISATION DU MEULEUSE



AVERTISSEMENT: UNE UTILISATION INCORRECTE OU QUI NE RESPECTE PAS LES CONSIGNES DE SÉCURITÉ DU MEULEUSE PEUT ENTRAÎNER LA MORT OU DES BLESSURES GRAVES. POUR ÉVITER TOUT DANGER, OBSERVER CES CONSIGNES DE SÉCURITÉ ÉLÉMENTAIRES :

1. NE JAMAIS utiliser la meuleuse sans que le capot couvre-meule ne soit en place.
2. NE JAMAIS placer ses mains ou d'autres parties de son corps près de la meule pendant l'opération.
3. NE JAMAIS utiliser de meule à dépression centrale fendue, déformée ou usée.
4. NE JAMAIS utiliser de meule à dépression centrale ayant un régime nominal inférieur à 13300 tr/mn.
5. NE JAMAIS utiliser la meuleuse dans des endroits où les étincelles générées par la meuleuse peuvent causer une explosion. Par exemple, en présence de matériaux inflammables ou de gaz.
6. NE JAMAIS appuyer sur la broche de verrouillage pendant que l'arbre est en train de tourner.
7. TOUJOURS porter des lunettes des protections conformes aux exigences des dernières révisions du standard ANSI Z87.1.
8. TOUJOURS porter un masque ou un respirateur pour se protéger de la poussière et des particules dangereuses générées pendant l'opération de meulage.
9. TOUJOURS tenir fermement la poignée principale et la poignée latérale lors de l'utilisation de la meuleuse.
10. TOUJOURS réaliser un essai de fonctionnement avant de commencer le meulage.
11. TOUJOURS suivre les instructions contenues dans ce mode d'emploi lors du remplacement de la meule à dépression centrale.

PIECES DE RECHANGE

Pour les réparations, utiliser exclusivement des pièces de rechange identiques. Les réparations devront être effectuées exclusivement par un centre de service après-vente JOHN DEERE agréé.

**CONSERVER CES INSTRUCTIONS ET
LES METTRE A LA DISPOSITION DES AUTRES UTILISATEURS
DE CET OUTIL!**

Description Fonctionnelle

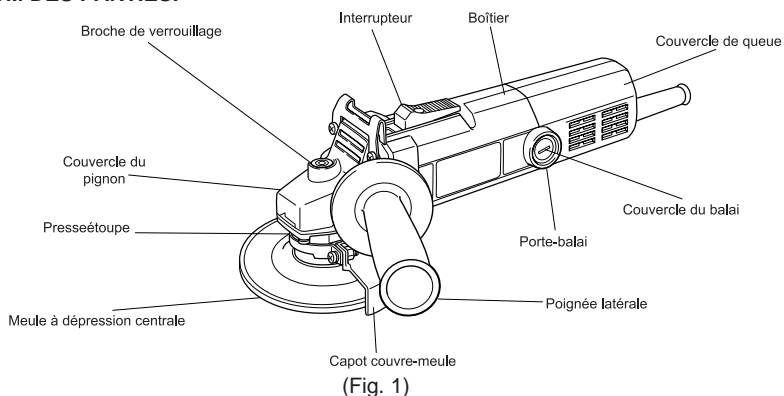
MAQUETTE:
ET-3301-J

NOTE: Les informations contenues dans ce mode d'emploi sont conçues pour assister l'utilisateur dans une utilisation sans danger et un entretien de l'outil motorisé.

NE JAMAIS utiliser ni entreprendre une révision de l'outil sans avoir d'abord lu et compris toutes les instructions de sécurité contenues dans ce manuel.

Certaines illustrations dans ce mode d'emploi peuvent montrer des détails ou des accessoires différents de ceux de l'outil motorisé utilisé.

NOM DES PARTIES:



SPECIFICATIONS:
ET-3301-J:

Moteur	Moteur série monophasé à collecteur
Source d'alimentation	Secteur, 115V 60 Hz, monophasé
Courant	5 A
Vitesse sans charge	11 000/min.
Taille de la meule:	
Diamètre extérieur	4-1/2" (115 mm)
Diamètre du trou central	7/8" (22 mm)
Poids	5,3 lbs (2,5 kg)
Fillet de broche	U5/8"-11

Utilisation

APPLICATIONS:

- Retrait des ébarbures de moulage et finition de divers type de matériaux en métal, bronze et aluminium ainsi que des moulages.
- Meulage des sections soudées ou des sections coupées à l'acétylène.
- Meulage des résines synthétiques, des ardoises, des briques, du marbre.

AVANT L'UTILISATION:

1. Source d'alimentation:
S'assurer que la source d'alimentation qui doit être utilisée est conforme à la source d'alimentation requise spécifiée sur la plaque signalétique du produit.
2. Interrupteur d'alimentation:
S'assurer que l'interrupteur est sur la position OFF (arrêt). Si la fiche est connectée sur une prise alors que l'interrupteur est sur la position ON (marche), l'outil motorisé démarrera immédiatement risquant de causer de sérieuses blessures.
3. Cordon prolongateur:
Quand la zone de travail est éloignée de la source d'alimentation, utiliser un cordon prolongateur d'épaisseur et de capacité nominale suffisante. Le cordon prolongateur doit être aussi court que possible.
4. Vérifier la prise:
Si la prise reçoit la fiche avec beaucoup de jeu, elle doit être réparée. Contacter un électricien licencié pour réaliser les réparations nécessaires.
Si une telle prise défectueuse est utilisée, elle peut causer une surchauffe entraînant des dangers sérieux.
5. Vérifier l'environnement de travail:
S'assurer des points suivants avant d'utiliser l'appareil:
 - a. Il n'y a aucun gaz, liquide ou objet inflammable sur le site de travail.
 - b. Le meulage de fines feuilles de métal peut causer un son très retentissant. Dans ce cas, placer un matelas de caoutchouc sous la pièce à usiner.
 - c. Prendre les mesures de prévention appropriées pour éviter les effets nuisibles causés sur l'environnement par les bruits électriques.
 - d. Eloigner de la pièce tous les enfants et le personnel non autorisé.
6. Montage du capot couvre-meule:
S'assurer de monter le capot couvre-meule avec un angle qui protège le corps de l'opérateur de blessures causées par une pièce de métal cassée.



AVERTISSEMENT: SI LE CAPOT COUVRE-MEULE N'EST PAS ATTACHÉ CORRECTEMENT, CELA PEUT CONDUIRE À DE SÉRIEUSES BLESSURES OU À LA MORT SI LA MEULE À DÉPRESSION CENTRALE VENAIT À CASSER.

7. Inspecter attentivement la meule à dépression centrale avant le montage:
Vérifier minutieusement qu'une meule à dépression centrale sans fissure ni fente est en place. S'assurer que la meule à dépression centrale est fixée fermement et a été montée selon les instructions contenues à la page 29-30.

Utilisation

AVANT L'UTILISATION:

- Essayer la meuleuse avant de l'utiliser:
Avant de commencer le travail de meulage, essayer la meuleuse en éloignant d'abord toutes les autres personnes de la pièce. S'assurer que le capot couvremeule est en place et que l'on porte des lunettes de protection. Mettre la meuleuse en marche et s'assurer que la meule tourne en douceur et ne présente pas d'anomalie.
La durée de l'essai de fonctionnement est comme suit:
Quand la meule à dépression centrale a été remplacée 3 minutes ou plus
Avant de commencer le travail quotidien 1 minute ou plus
- Utiliser seulement des meules à dépression centrale à valeur correcte:
Utiliser uniquement des meules à dépression centrale ayant un régime nominal de 13 300 tr/mn ou plus.
L'utilisation d'une meule à dépression centrale de valeur inférieure peut conduire à une désintégration de la meule pendant son fonctionnement et causer de sérieuses blessures corporelles.
- Vérifier la broche de verrouillage:
S'assurer que la broche de verrouillage n'est pas engagée appuyant dessus deux ou trois fois avant de mettre la meuleuse en marche.

UTILISATION:

- Maintenir la meuleuse fermement par son boîtier et sa poignée secondaire (Fig. 1):
La meuleuse produit une contre-force qui doit être maîtrisée en la maintenant fermement.
- Mettre la meuleuse sous tension:
Tout en maintenant la meuleuse fermement, utiliser un doigt pour faire glisser l'interrupteur sur la position "ON".
- Utiliser une légère pression de meulage:
Il n'y a pas besoin d'appuyer fortement sur la meuleuse pendant le meulage.
Normalement le propre poids de la meuleuse est suffisant pour permettre le léger contact requis avec la surface à travailler.



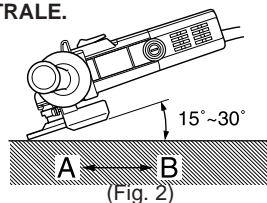
AVERTISSEMENT: NE PAS PRESSER AVEC FORCE LA MEULEUSE SUR LA SURFACE À RECTIFIER. UNE FORTE PRESSION PEUT CASSER LA MEULE ET CAUSER DE SÉRIEUSES BLESSURES. CELA PEUT AUSSI ENDOMMAGER LA SURFACE EN TRAIN D'ÊTRE RECTIFIÉE ET LE MOTEUR DE LA MEULEUSE.

- Utiliser un angle de meulage correct:
Meuler seulement avec le rebord de la meule en soulevant la meuleuse de 15° à 30°, comme montré sur la Fig. 2.



ATTENTION: NE PAS UTILISER LA SURFACE ENTIÈRE DE LA MEULE À DÉPRESSION CENTRALE. UTILISER SEULEMENT LE REBORD DE LA MEULE À DÉPRESSION CENTRALE.

- Déplacer la meuleuse dans la direction correcte:
Lors de l'utilisation d'une nouvelle meule à dépression centrale dans la direction A (Fig. 2), le rebord de la meule risque de couper la pièce à usiner. Dans ce cas meuler dans la direction B (Fig. 2).
Une fois que la meule est usée, la pièce à usiner peut être meulée dans les deux directions.



Utilisation

UTILISATION:

NOTE: La meule fournie (meule en résine) est classée comme grain de classe A avec une taille de grain de #36. Elle est plus adaptée aux lourds travaux de meulage sur du métal et d'autres types de matériaux.

- Opération d'ajustement pour la finition souhaitée:
Pour une finition fine, diminuer la pression en soulevant légèrement la meuleuse. Meuler doucement et à la vitesse appropriée.



ATTENTION: LA MEULE À DÉPRESSION CENTRALE EN ROTATION CRÉE UNE TURBULENCE D'AIR. NE PAS POSER LA MEULEUSE DANS DES ENDROITS POUSSIÉREUX OU SALES AVANT QU'ELLE NE SOIT COMPLÈTEMENT ARRÊTÉE.

ASSEMBLAGE ET DESASSEMBLAGE DE LA MEULE A DEPRESSION CENTRALE:



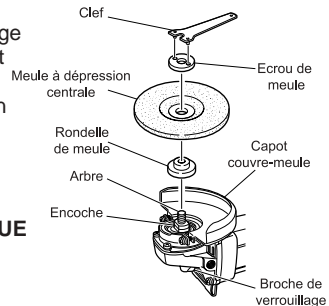
AVERTISSEMENT: NE JAMAIS ESSAYER D'ASSEMBLER OU DE DÉSASSEMBLER LA MEULE À DÉPRESSION CENTRALE SI LA MEULEUSE EST EN ÉTAT DE POUVOIR ÊTRE MISE EN MARCHÉ. S'ASSURER QUE L'INTERRUPTEUR D'ALIMENTATION EST SUR LA POSITION "OFF" ET QUE LE CORDON ÉLECTRIQUE A ÉTÉ DÉCONNECTÉ DE LA PRISE SECTEUR.

- Assemblage:
 - Mettre la meuleuse à l'envers de façon que l'arbre soit dirigé vers le haut.
 - Aligner l'entaille de forme ovale de la rondelle de meule avec l'encoche de l'arbre, puis les attacher.
 - Positionner la protubérance de la meule à dépression centrale sur la rondelle de meule.
 - Visser l'écrou de meule sur l'arbre.
 - Tout en poussant sur la broche de verrouillage avec une main, verrouiller l'arbre en tournant doucement la meule à dépression centrale avec l'autre main. Serrer l'écrou de meule en utilisant la clef fournie comme montré sur la Fig. 3.



ATTENTION: SERRER L'ÉCROU DE MEULE FERMEMENT ET S'ASSURER QUE LA MEULE À DÉPRESSION CENTRALE N'OSCILLE PAS.

- Désassemblage:
Pour retirer la meule à dépression centrale, suivre la procédure ci-dessus dans l'ordre inverse.



(Fig. 3)

Entretien et Inspection

ENTRETIEN ET INSPECTION:



AVERTISSEMENT: S'ASSURER DE METTRE L'INTERRUPTEUR D'ALIMENTATION SUR LA POSITION OFF ET DE DÉCONNECTER LA FICHE DE LA PRISE SECTEUR AVANT L'ENTRETIEN ET L'INSPECTION DE LA MEULEUSE.

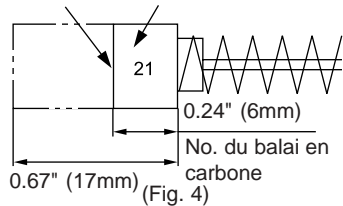
1. Remplacement de la meule à dépression centrale:
Remplacer la meule à dépression centrale quand elle est usée sur environ 2-3/8" (60 mm) du diamètre extérieur. Vérifier qu'il n'y a pas de fissure ni aucun dommage à la meule à dépression centrale. S'il y avait une fissure ou une modification de la meule, la remplacer immédiatement.
2. Inspection des vis de montage:
Inspecter régulièrement toutes les vis de montage et s'assurer qu'elles sont correctement serrées. Si l'une des vis était desserrée, la resserrer immédiatement.



AVERTISSEMENT: UTILISER LA MEULEUSE AVEC DES VIS DESSERRÉES EST EXTRÊMEMENT DANGEREUX.

3. Vérifier qu'il n'y a aucun dommage au capot couvre-meule, au cordon, au boîtier, etc. De plus, vérifier qu'il n'y a pas d'anomalie dans l'activation de l'interrupteur.
4. Inspection des balais en carbone (Fig. 4):
Le moteur utilise des balais en carbone qui sont des pièces qui s'usent. Remplacer un balai en carbone par un nouveau quand il est usé jusqu'à sa limite d'usure. Toujours garder propres les balais en carbone et s'assurer qu'ils glissent librement à l'intérieur des porte-balais.

Limite d'usure



ATTENTION: UTILISER LA MEULEUSE AVEC UN BALAI EN CARBONE QUI EST USÉ AU-DELÀ DE LA LIMITE D'USURE ENDOMMAGERA LE MOTEUR.

NOTE: Utiliser le balai en carbone JOHN DEERE No. 21 indiqué sur la figure 4.

- a. Remplacement d'un balai en carbone:
Retirer le couvercle du balai (Fig. 1) avec un tournevis plat. Le balai en carbone peut être alors facilement retiré.

Entretien et Inspection

ENTRETIEN ET RÉPARATION:

Tous les outils motorisés de qualité auront éventuellement besoin d'une réparation ou du remplacement d'une pièce à cause de l'usure normale de l'outil. Pour assurer que seules des pièces de rechange autorisées seront utilisées, tous les entretiens et les réparations doivent être effectués uniquement par UN CENTRE DE SERVICE JOHN DEERE AUTORISÉ.



AVERTISSEMENT: NE JAMAIS UTILISER D'ACCESSOIRES AUTRES QUE CEUX QUI SONT MENTIONNÉS CI-DESSOUS. L'UTILISATION DE TOUT AUTRE ÉQUIPEMENT OU ACCESSOIRE, PAR EXEMPLE UNE MEULE-BOISSEAU OU UNE MEULE À FRONÇONNER, ETC., POURRAIT ÊTRE DANGEREUSE ET PROVOQUER DES BLESSURES OU DES DOMMAGES DU MATÉRIEL.

ACCESSOIRES STANDARD:

-Clef	1
-Poignée latérale	1
-Meule à dépression centrale	1
4-1/2" (115 mm) dia. extérieur x 1/4" (6 mm) épaisseur x 7/8" (22 mm) trou central	

NOTE: *Les spécifications sont sujettes à modification sans aucune obligation de la part de JOHN DEERE.*

Note

Introduccion

¡Felicitaciones por la compra de su nueva herramienta! Puede estar seguro que de herramienta fue construida con el nivel más alto de precisión y exactitud. Cada componente ha sido probado rigurosamente por técnicos para asegurar la calidad, la resistencia y el rendimiento de esta unidad.

Este manual del operador fue compilado para su beneficio. Leyendo y siguiendo los pasos simples de seguridad, instalación, operación, mantenimiento y localización de fallas descritos en este manual ayudará a prolongar aun más la operación libre de fallas que usted puede esperar de su nueva herramienta. El contenido de este manual está basado en la información actualizada disponible al momento de la publicación. Fabricante se reserva el derecho de efectuar cambios en precio, color, materiales, equipo, especificaciones o modelos en cualquier momento sin previo aviso.

Escriba el número de serie de su unidad en el espacio provisto abajo, una vez que la unidad haya sido desempacada.

NUMERO DE SERIE _____

Inspeccione por daño el contenido de la caja. Si algo parece dañado, NO LA DEVUELVA AL LUGAR DE COMPRA. Llame a su representante de servicio al cliente.

Mi-T-M® Corporation, 8650 Enterprise Drive, Peosta, IA 52068
Telefono: 1-877-JD-KLEEN
Telefone gratis en los EE. UU.: 877-535-5336 / Fax 563-556-1235
Lunes - Viernes 8:00 a.m. - 5:00 p.m. CST

Por favor tenga disponible la información siguiente para todas las llamadas de servicio:

1. Número de modelo
2. Número de serie
3. Fecha y lugar de compra



ADVERTENCIA

USE PROTECCIÓN RESPIRATORIA

Alogunos polvos creados por el lijado mecánico, el aserrado, el esmerilado, el taladrado y otras actividades de construcción contienen sustancias químicas conocidas por le Estado de California como agentes cancerígenos, defectos congénitos y otros daños reproductores. Algunos ejemplos de estas sustancias químicas son:

- El plomo de las pinturas a base de plomo,
- El sílice cristalino de los ladrillos y cemento y otros productos de mampostería, y
- El arsénico y el cromo de la madera tratada químicamente.

El riesgo resultante de la exposición varía según la frecuencia con que se realiza este tipo de trabajo. Para reducir la exposición a esta sustancias químicas: trabaje en un lugar bien ventilado y realice el trabajo utilizando el equipamiento apropiado, tal como las máscaras para el polvo especialmente diseñados para eliminar las partículas minúsculas.

Tabla de Materias

SEGURIDAD	36-42
INSTRUCCIONES IMPORTANTES DE SEGURIDAD	36-42
DESCRIPCIÓN FUNCIONAL	43
MODELO	43
NOMENCLATURA	43
ESPECIFICACIONES	43
OPERACIÓN	44-47
APLICACIONES	44
ANTES DE LA OPERACIÓN	44-45
OPERACIÓN	45-47
MAINTENIMIENTO E INSPECCIÓN	48
MAINTENIMIENTO E INSPECCIÓN	48
ACCESORIOS ESTÁNDAR	49
MANTENIMIENTO Y REPARACIÓN	49
NOTA	50-51

Seguridad

INFORMATION DE SÉCURITÉ RECONOCER

El símbolo indicado a “Símbolo de Alerta de Seguridad”. Este símbolo se usa para alertarlo acerca de artículos o procedimientos que podrían ser peligrosos para usted u otras personas usando este equipo.



PALABRAS DE ALERTA QUE ENTIENDO

Estos párrafos están rodeados por una “CASILLA DE ALERTA DE SEGURIDAD”. Esta casilla se usa para designar y enfatizar las Advertencias de Seguridad que deben seguirse al operar esta herramienta.

⚠ PELIGRO

⚠ ADVERTENCIA
⚠ PRECAUCION

Acompañando a las Advertencias de Seguridad están las “palabras de alerta” que designan el grado o nivel de seriedad de riesgo. Las “palabras de alerta” usadas en este manual son las siguientes:

PELIGRO: Indica una situación inminente riesgosa la cual, si no se evita, RESULTARA en la muerte o en lesiones graves.

ADVERTENCIA: Indica una situación potencialmente riesgosa la cual, si no se evita, PODRIA resultar en la muerte o en lesiones graves.

PRECAUCION: Indica una situación potencialmente riesgosa la cual, si no se evita PUEDE resultar en lesiones menores o moderadas.

NORMAS GENERALES DE SEGURIDAD



ADVERTENCIA: Lea y entienda todas las instrucciones. Si no sigue las instrucciones indicadas a continuación, pueden producirse descargas eléctricas, incendios, y/o lesiones serias.



GUARDE ESTAS INSTRUCCIONES



ADVERTENCIA

NO TOQUE NUNCA LAS PIEZAS MÓVILES

No coloque nunca sus manos, dedos, ni demás partes del cuerpo cerca de las piezas móviles de la herramienta.

NO UTILICE NUNCA LA HERRAMIENTA SIN LOS PROTECTORES COLOCADOS EN SU LUGAR

No utilice nunca esta herramienta sin los protectores de seguridad correctamente instalados. Si el trabajo de mantenimiento o de reparación requiere el desmontaje de un protector de seguridad, cerciórese de volver a instalarlo antes de utilizar la herramienta.

COLÓQUESE SIEMPRE GAFAS Y PROTECTORES PARA LOS OÍDOS

Protéjase contra las virutas, las partículas metálicas, y demás desperdicios que puedan salir disparados utilizando gafas u otro protector de los ojos equivalente. Utilice protectores para los oídos como medida de protección contra el ruido excesivo.

PROTÉJASE CONTRA LAS DESCARGAS ELÉCTRICAS

Evite que su cuerpo entre en contacto con superficies puestas a tierra tales como tubos, radiadores, y conductos de refrigeración. No utilice nunca ninguna herramienta en lugares húmedos.

DESCONECTE LAS HERRAMIENTAS

No deje nunca ninguna herramienta conectada a la fuente de alimentación. Desconecte siempre las herramientas de la fuente de alimentación antes de repararlas, inspeccionarlas, limpiarlas, y antes de cambiar o comprobar cualquier pieza.

EVITE EL ARRANQUE ACCIDENTAL

No transporte nunca ninguna herramienta mientras esté conectada a la fuente de alimentación. No transporte ninguna herramienta con un dedo cerca del interruptor de alimentación. Cerciórese de que el interruptor de alimentación esté en la posición de “desconexión” antes de conectar una herramienta a su fuente de alimentación.





ADVERTENCIA

VÍSTASE ADECUADAMENTE

No utilice ropa floja ni joyas. Éstas podrían pillarse en las piezas móviles. Para trabajar en exteriores se recomienda utilizar guantes de goma y calzado antideslizante.

Si su pelo es largo, utilice algo que lo recubra.

CUANDO VAYA A TRABAJAR EN UN LUGAR POLVORIENTO, UTILICE UN PROTECTOR PARA LA CARA, UNA MÁSCARA CONTRA EL POLVO, O UNA CRETA ANTIGÁS

Todas las personas que trabajen donde se estén utilizando herramientas eléctricas deberán utilizar protectores para la cara, máscaras contra el polvo, o caretas antigás.

NO SE EXTRALIMITE

Mantenga en todo momento un buen equilibrio.

PRESTE ATENCIÓN

Preste atención a lo que esté haciendo. Utilice el sentido común. No utilice ninguna herramienta cuando esté cansado.

Usted no deberá utilizar ninguna herramienta cuando esté bajo la influencia del alcohol, drogas, ni medicinas que le produzca somnolencia.

COMPRUEBE LOS CABLES ACTIVOS

Evite el riesgo de descargas eléctricas comprobando si en las paredes, pisos, o techos hay cables activos. Todos los cables deberán desenergizarse antes de comenzar el trabajo.

NO UTILICE HERRAMIENTAS ELÉCTRICAS SI LA CARCASA O LA EMPUÑADURA DE PLÁSTICO ESTÁ RAJADA

Las rajaduras en la carcasa o en la empuñadura de plástico pueden conducir a descargas eléctricas. Tales herramientas no deberán utilizarse mientras no se hayan reparado.

LAS CUCHILLAS Y LOS ACCESORIOS DEBERÁN MONTARSE CON SEGURIDAD EN LA HERRAMIENTA

Evite lesiones personales y de otras personas. Las cuchillas, los accesorios de corte, y demás accesorios montados en la herramienta deberán fijarse con seguridad.

NO DEJE NUNCA LA HERRAMIENTA EN FUNCIONAMIENTO DESATENDIDA

Desconecte su alimentación. No deje sola la herramienta hasta mientras no se haya parado completamente.



PRECAUCION

GUARDE LAS HERRAMIENTAS ADECUADAMENTE

Cuando no vaya a utilizar una herramienta, guárdela en un lugar seco. Mantenga las herramientas fuera del alcance de los niños. Cierre el área de almacenamiento.

MANTENGA EL ÁREA DE TRABAJO LIMPIA.

Las áreas y bancos de trabajo desordenados pueden conducir a lesiones. Limpie bien las áreas y bancos de trabajo, quitando las herramientas innecesarias, los desperdicios, muebles, etc.

NO FUERCE LAS HERRAMIENTAS

Por motivos de seguridad, y para realizar el mejor trabajo posible, utilice las herramientas dentro de los límites para los que fueron diseñadas.

UTILICE LA HERRAMIENTA CORRECTA

No fuerce herramientas ni accesorios pequeños para realizar un trabajo pesado. No utilice las herramientas para fines no proyectados, por ejemplo, no utilice esta amoladora angular para cortar madera.

NO MALTRATE EL CABLE

No transporte nunca una herramienta eléctrica por su cable de alimentación, ni lo desconecte del tomacorriente tirando del mismo. Mantenga el cable alejado del calor, del aceite, y de bordes cortantes.

ASEGURE LA PIEZA DE TRABAJO

Utilice abrazaderas o tornillos de carpintero para asegurar la pieza de trabajo. Esto es más seguro que utilizar una mano, y de esta forma podrá usar ambas manos para emplear la herramienta.

CUIDE LAS HERRAMIENTAS

Mantenga las herramientas afiladas y limpias para que puedan rendir al máximo. Siga las instrucciones sobre lubricación y cambio de accesorios. Inspeccione periódicamente los cables y, si están dañados, haga que sean reparados en un centro de reparaciones autorizado. Inspeccione periódicamente los cables prolongadores y, si están dañados, reemplácelos. Mantenga las empuñaduras secas, limpias, y sin aceite ni grasa.

QUITE LAS LLAVES DE AJUSTE

Antes de conectar la alimentación de una herramienta, quítele las llaves de ajuste.

UTILICE ADECUADAMENTE UN CABLE PROLONGADOR EN EXTERIORES

Cuando vaya a utilizar una herramienta en exteriores, emplee solamente un cable prolongador diseñado para utilización en exteriores.

COMPRUEBE LAS PIEZAS DAÑADAS

Antes de utilizar una herramienta, compruebe cuidadosamente los protectores y demás piezas de la misma para determinar si puede funcionar correctamente de la forma para la que fue diseñada. Compruebe la alineación de las piezas móviles, las de sujeción, si hay piezas rotas, el montaje, y demás condiciones que puedan afectar la operación de la herramienta. Cualquier protector o pieza en malas condiciones deberá repararse adecuadamente, o reemplazarse, en un centro de reparaciones autorizado a menos que se indique otra cosa en este manual de instrucciones. Cuando tenga que reemplazar interruptores defectuosos, solicite este servicio a un centro de reparaciones autorizado. No utilice una herramienta cuyo interruptor de alimentación no funcione.

NO UTILICE NUNCA UNA HERRAMIENTA ELÉCTRICA PARA APLICACIONES QUE NO SEAN LAS ESPECIFICADAS

No utilice nunca una herramienta eléctrica para aplicaciones no especificadas en este Manual de instrucciones.



PRECAUCION

MANEJE CORRECTAMENTE LA HERRAMIENTA

Maneje la herramienta de acuerdo con las instrucciones ofrecidas aquí. No deje caer ni tire la herramienta. No permita nunca que los niños ni otras personas no autorizadas ni familiarizadas con la operación de la herramienta utilicen ésta.

MANTENGA TODOS LOS TORNILLOS, PERNOS, Y CUBIERTAS FIRMEMENTE FIJADOS EN SU LUGAR

Mantenga todos los tornillos, pernos, y cubiertas firmemente montados. Compruebe periódicamente su condición.

MANTENGA LIMPIO EL CONDUCTO DE VENTILACIÓN DEL MOTOR

El conducto de ventilación del motor limpio para que el aire pueda circular libremente en todo momento. Compruebe frecuentemente y limpie el polvo acumulado.

UTILICE LAS HERRAMIENTAS ELÉCTRICAS CON LA TENSIÓN DE ALIMENTACIÓN NOMINAL

Utilice las herramientas eléctricas con las tensiones indicadas en sus placas de características. La utilización de una herramienta eléctrica con una tensión superior a la nominal podría resultar en revoluciones anormalmente altas del motor, en el daño de la herramienta, y en la quemadura del motor.

NO UTILICE NUNCA UNA HERRAMIENTA DEFECTUOSA O QUE FUNCIONE ANORMALMENTE

Si la herramienta parece que funciona anormalmente, produciendo ruidos extraños, etc., deje inmediatamente de utilizarla y solicite su arreglo a un centro de reparaciones autorizado por JOHN DEERE.

MANEJE CON CUIDADO LAS HERRAMIENTAS ELÉCTRICAS

Si una herramienta eléctrica se ha caído o ha chocado inadvertidamente contra materiales duros, es posible que se haya deformado, rajado, o dañado.

NO LIMPIE LAS PARTES DE PLÁSTICO CON DISOLVENTE

Los disolventes, como gasolina, diluidor de pintura, bencina, tetracloruro de carbono, y alcohol pueden dañar o rajar las partes de plástico. No las limpie con tales disolventes.

Limpie las partes de plástico con un paño suave ligeramente humedecido en agua jabonosa y después séquelas bien.

UTILICE SOLAMENTE PIEZAS DE REEMPLAZO GENUINAS DE JOHN DEERE

Las piezas de reemplazo no fabricadas por JOHN DEERE pueden anular su garantía, provocar el mal funcionamiento, y resultar en lesiones. Su proveedor dispone de piezas de repuesto JOHN DEERE genuinas.

ENCHUFES POLARIZADOS

Para reducir el riesgo de descargas eléctricas, este equipo posee un enchufe polarizado (una cuchilla del mismo es más amplia que la otra).

Este enchufe solamente encajará de una forma en un tomacorriente polarizado.

Si el enchufe no encaja en el tomacorriente, póngase en contacto con un electricista cualificado para que le instale el tomacorriente apropiado.

No cambie nunca el enchufe del cable de alimentación.

UTILICE SOLAMENTE RUEDAS DE DISCO ABOMBADO QUE POSEAN UNA VELOCIDAD MÁXIMA DE OPERACIÓN DE HASTA 13300 RPM.



PRECAUCION

UTILIZACIÓN DE UN CABLE PROLONGADOR

Cerchiórese de que el cable prolongador esté en buenas condiciones. Cuando utilice un cable prolongador, cerchiórese de que tenga el calibre (grosor) suficiente como para poder conducir la corriente necesaria para la herramienta. Un cable de calibre inferior causaría la caída de tensión, lo que resultaría en pérdida de potencia y en recalentamiento. En la tabla siguiente se indica el calibre correcto de acuerdo con la longitud del cable y la indicación de amperaje de la tabla de características. Cuando menor sea el número de calibre, mayor será el cable.


CALIBRE MÍNIMO PARA CABLES			
Longitud total del cable en pies (metros)			
0-25 (0-7.6)	26-50 (7.9-15.2)	51-100 (15.5-30.05)	101-150 (30.8-45.7)

Amperaje nominal		AWG			
Más de	No más de				
0	6	18	16	16	14
6	10	18	16	14	12
10	12	16	16	14	12
12	16	14	12	No se recomienda	



ADVERTENCIA: EVITE DESCARGAS ELÉCTRICAS. NO UTILICE NUNCA ESTA HERRAMIENTA CON UN CABLE DE ALIMENTACIÓN O PROLONGADOR DAÑADO NI REPARADO. INSPECCIONE REGULARMENTE TODOS LOS CABLES ELÉCTRICOS. NO UTILICE NUNCA LA HERRAMIENTA CERCA DEL AGUA NI EN NINGÚN OTRO LUGAR EN EL QUE EXISTA EL RIESGO DE DESCARGAS ELÉCTRICAS.

AISLAMIENTO DOBLE PARA OFRECER UNA OPERACIÓN MÁS SEGURA

Para garantizar una operación más segura de esta herramienta eléctrica, JOHN DEERE ha adoptado un diseño de aislamiento doble. "Aislamiento doble" significa que se han utilizado dos sistemas de aislamiento físicamente separados para aislar los materiales eléctricamente conductores conectados a la fuente de alimentación del bastidor exterior manejado por el operador. Por lo tanto, en la herramienta eléctrica o en su placa de características aparecen el símbolo "  " o las palabras "Double insulation" (aislamiento doble).

Aunque este sistema no posee puesta a tierra externa, usted deberá seguir las precauciones sobre seguridad eléctrica ofrecidas en este Manual de instrucciones, incluyendo la no utilización de la herramienta eléctrica en ambientes húmedos. para mantener efectivo el sistema de aislamiento doble, tenga en cuenta las precauciones siguientes:

- Esta herramienta eléctrica solamente deberá desensamblar y ensamblarla un CENTRO DE REPARACIONES AUTORIZADO POR JOHN DEERE, y solamente deberán utilizarse con ella piezas de reemplazo genuinas de JOHN DEERE.
- Limpie el exterior de la herramienta eléctrica solamente con un paño suave humedecido en agua jabonosa, y después séquela bien. No utilice disolventes, gasolina, ni diluidor de pintura para limpiar las partes de plástico, ya que podría disolverlas.



IMPORTANTE

INSTRUCCIONES IMPORTANTES DE SEGURIDAD PARA UTILIZACIÓN DEL AMOLADORA ANGULAR



ADVERTENCIA: LA UTILIZACIÓN INADECUADA DE LAS HERRAMIENTAS ELÉCTRICAS PUEDE RESULTAR EN LESIONES SERIAS O EN LA MUERTE. PARA EVITAR ESTOS RIESGOS, SIGA LAS INSTRUCCIONES DE SEGURIDAD OFRECIDAS A CONTINUACIÓN.

1. NUNCA utilice la amoladora angular sin su protector de disco instalado.
2. NUNCA coloque las manos ni el cuerpo cerca de la rueda durante la operación.
3. NUNCA utilice ruedas de disco abombado rajadas, deformadas, ni desgastadas.
4. NUNCA utilice una rueda de disco abombado para velocidad nominal inferior a 13300 rpm. La rueda podría desintegrarse durante la utilización y causar lesiones serias.
5. NUNCA utilice la amoladora en lugares en los que las chispas generadas por la misma puedan causar una explosión, como cerca de materiales o gases inflamables.
6. NUNCA presione el pasador de bloqueo mientras el eje esté girando.
7. SIEMPRE utilice protección para los ojos que satisfaga los requisitos de la última versión de la norma Z87.1 de ANSI.
8. SIEMPRE utilice una mascarilla para protegerse contra el polvo o las partículas potencialmente dañinos generados durante la operación de la amoladora.
9. SIEMPRE sujete firmemente la empuñadura del cuerpo y la empuñadura lateral cuando utilice la amoladora.
10. SIEMPRE realice una operación de prueba antes de utilizar realmente la amoladora.
11. SIEMPRE siga las instrucciones indicadas en este manual cuando reemplace la rueda de disco abombado.

GUARDE ESTE MANUAL DE INSTRUCCIONES DONDE PUEDAN LEERLO OTRAS PERSONAS QUE VAYAN A UTILIZAR ESTA HERRAMIENTA!

Descripción Funcional

MODELO:

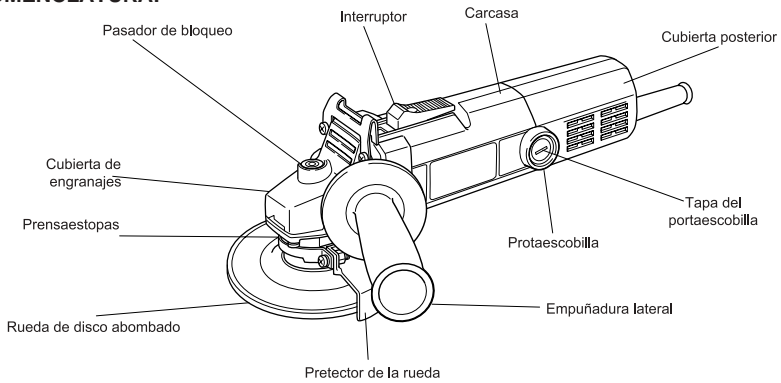
ET-3301-J 4 1/4" DISC GRINDER

NOTA: *La información contenida en este Manual de instrucciones ha sido diseñada para ayudarle a utilizar con seguridad y mantener esta herramienta eléctrica.*

NUNCA haga funcionar ni efectúe el mantenimiento de la herramienta antes de leer y comprender todas las instrucciones de seguridad contenidas en este manual.

Algunas ilustraciones de este Manual de Instrucciones pueden mostrar detalles o accesorios diferentes a los de la propia herramienta eléctrica.

NOMENCLATURA:



(Fig. 1)

ESPECIFICACIONES:

ET-3301-J:

Motor	Motor conmutador en serie monofásico
Fuente de alimentación	115 V CA, 60 Hz, monofásica
Corriente	5 A
Velocidad sin carga	11000/min
Tamaño de la rueda:	
Diámetro externo	4-1/2" (115 mm)
Diámetro del orificio	7/8" (22 mm)
Peso	5,3 lbs (2,5 kg)
Rosca del eje	U 5/8"-11

Operación

APLICACIONES:

- Eliminación de rebabas de piezas fundidas y acabado de varios tipos de materiales y piezas fundidas de acero, bronce, y aluminio.
- Amoladura de secciones soldadas o de secciones cortadas con un soplete oxiacetilénico.
- Amoladura de resinas sintéticas, pizarra, ladrillo, y mármol.

ANTES DE LA OPERACIÓN:

1. Fuente de alimentación:
Cerciórese de que la fuente de alimentación que vaya a utilizar cumpla los requisitos indicados en la placa de características del producto.
2. Interruptor de alimentación:
Cerciórese de que el interruptor de alimentación esté en la posición OFF. Si enchufase el cable de alimentación en un tomacorriente de la red con el interruptor en ON, la herramienta eléctrica comenzaría a funcionar inmediatamente, lo que podría provocar lesiones serias.
3. Cable prolongador:
Cuando el área de trabajo esté alejada de la fuente de alimentación, utilice un cable prolongador de suficiente grosor y con la capacidad nominal. El cable prolongador deberá mantenerse lo más corto posible.
4. Comprobación del tomacorriente:
Si el enchufe del cable de alimentación queda flojo en el tomacorriente, habrá que reparar éste. Póngase en contacto con un electricista cualificado para que realice las reparaciones adecuadas.
Si utilizase un tomacorriente en este estado, podría producirse recalentamiento, lo que supondría un riesgo serio.
5. Comprobación del ambiente de trabajo
Antes de la operación, compruebe lo siguiente:
 - a. Cerciórese de que no haya gases, líquidos, ni objetos inflamables en el lugar de trabajo.
 - b. La amoladura de una plancha metálica fina puede producir un ruido fuerte. En este caso, coloque una esterilla de caucho debajo de la pieza de trabajo.
 - c. Tome las medidas apropiadas para contra el ruido para evitar los efectos adversos en medio ambiente debidos al ruido eléctrico.
 - d. No permita que en el área de trabaja haya niños ni personal no autorizado.
6. Montaje del protector de la rueda:
Cerciórese de montar el protector de la rueda con un ángulo que proteja el cuerpo del operador contra lesiones debidas a un trozo de rueda roto.



ADVERTENCIA: SI NO COLOCA CORRECTAMENTE EL PROTECTOR DE LA RUEDA, PUEDE SUFRIR LESIONES SERIAS, O MORIR, SI LA RUEDA DE DISCO ABOMBADO SE ROMPE.

7. Inspeccione cuidadosamente la rueda de disco abombado antes de montarla: Compruebe cuidadosamente si la rueda de disco abombado especificada está libre de rajas y cortes. Cerciórese de que la rueda de disco abombado haya quedado firmemente montada de acuerdo con las instrucciones ofrecidas en la página 45-47.

Operación

ANTES DE LA OPERACIÓN:

8. Pruebe la amoladora antes de utilizarla:
Antes de comenzar el trabajo de amoladura, pruebe la amoladora después de haber despejado el área de personal. Cerciórese de que el protector de la rueda esté instalado, y utilice protección para sus ojos. Conecte la alimentación de la amoladora y compruebe si gira suavemente y no muestra anomalías.
La duración del funcionamiento de prueba es el siguiente:
Cuando haya reemplazado la rueda de disco abombado 3 minutos o más
Cuando comience diariamente el trabajo 1 minuto o más
9. Utilice ruedas de disco abombado de la capacidad apropiada:
Utilice solamente ruedas de disco abombado con una velocidad de 13300 rpm.
La utilización de una rueda de disco abombado de menor capacidad podría conducir a su desintegración durante la operación y a lesiones serias.
10. Compruebe el pasador de bloqueo:
Cerciórese de que el pasador de bloqueo esté desenganchado presionándolo dos o tres veces antes de conectar la alimentación de la amoladora.

OPERACIÓN:

1. Sujete firmemente la amoladora por su carcasa y la empuñadura lateral (Fig. 1). La amoladora producirá una contrafuerza que habrá que controlar sujetándola firmemente.
2. Conecte la alimentación de la amoladora:
Sujetando firmemente la amoladora, utilice un dedo para deslizar el interruptor hasta la posición "ON".
3. Presione con poca fuerza la amoladora:
No es necesario presionar con fuerza para amolar. Normalmente el propio peso de la amoladora será suficiente para permitir el contacto ligero con la superficie requerido para amolar.



ADVERTENCIA: NO PRESIONE A LA FUERZA LA AMOLADORA CONTRA LA SUPERFICIE QUE DESEE AMOLAR. LA PRESIÓN EXCESIVA PODRÍA RESULTAR EN ROTURA DE LA RUEDA Y EN LESIONES SERIAS. TAMBIÉN PODRÍA DAÑAR LA SUPERFICIE QUE ESTÉ AMOLANDO O EL MOTOR DE LA AMOLADORA.

4. Utilice el ángulo de amoladura apropiado:
Realice la operación de amoladura con el borde de la rueda levantando la amoladora de 15 a 30°, como se muestra en la Fig. 2.



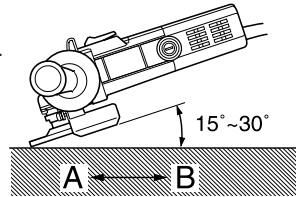
PRECAUCIÓN: NO UTILICE TODA LA SUPERFICIE DE LA RUEDA DE DISCO ABOMBADO. USE SOLAMENTE EL BORDE DE DICHA RUEDA.

Operación

OPERACIÓN:

5. Mueva la amoladora en el sentido apropiado:
Cuando utilice una rueda de disco abombado nueva en el sentido A (Fig. 2), el borde de la rueda puede cortar la pieza de trabajo. En este caso, realice la operación de amoladura en el sentido B (Fig. 2).
Cuando se haya gastado el borde de la rueda, la pieza de trabajo podrá amolarse en ambos sentidos.

NOTA: La rueda suministrada (rueda resinoide) tiene grano de clase A y tamaño de grano #36. Es la más adecuada para amoladura intensa de acero y otros tipos de materiales.



(Fig. 2)

6. Ajuste la operación de acuerdo con el acabado deseado:
Para realizar un acabado preciso, reduzca la presión levantando ligeramente la amoladora. Realice la operación de amoladura lentamente y con la velocidad apropiada.



PRECAUCIÓN: EL GIRO DE LA RUEDA DE DISCO ABOMBADO CREARÁ TURBULENCIA DE AIRE. NO COLOQUE LA AMOLADORA EN ÁREAS DE POLVO O SUCIEDAD HASTA QUE SE HAYA PARADO COMPLETAMENTE.

Operación

OPERACIÓN:

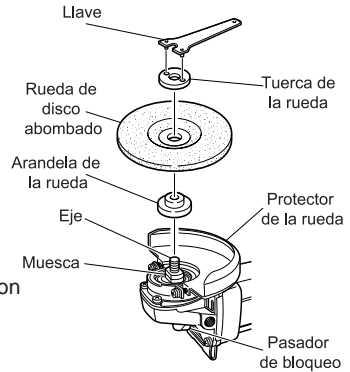
MONTAJE Y DESMONTAJE DE LA RUEDA DE DISCO ABOMBADO:



ADVERTENCIA: NO INTENTE NUNCA MONTAR NI DESMONTAR LA RUEDA DE DISCO ABOMBADO MIENTRAS LA AMOLADORA SE ENCUENTRE EN ESTADO DE PODER CONECTAR SU ALIMENTACIÓN. CERCÍOARSE DE PONER EL INTERRUPTOR DE ALIMENTACIÓN EN LA POSICIÓN "OFF", Y DE DESCONECTAR EL CABLE DE ALIMENTACIÓN DEL TOMACORRIENTE.

1. Montaje:

- Dé la vuelta a la amoladora de forma que el eje quede encarado hacia arriba.
- Alinee la muesca ovalada de la arandela de la rueda con la musca del eje, y después fíjelas.
- Fije la parte saliente de la rueda de disco abombado en la arandela de la rueda.
- Atornille la rueda en el eje.
- Presionando el pasador de bloqueo con una mano, bloquee el eje girando lentamente la rueda de disco abombado con la otra mano. Apriete la tuerca de la rueda utilizando la llave suministrada como se muestra en la Fig. 3.



(Fig. 3)



PRECAUCIÓN: APRIETE CON SEGURIDAD LA TUERCA DE LA RUEDA Y CONFIRME QUE NO SE BAMBOLEE.

2. Desmontaje:

Para desmontar la rueda de disco abombado, siga el procedimiento indicado arriba

Mantenimiento e Inspección

MAINTENIMIENTO E INSPECCIÓN:



ADVERTENCIA: ANTES DE REALIZAR EL MANTENIMIENTO O LA INSPECCIÓN DE LA AMOLADORA, CERCÍESE DE DESCONECTAR LA ALIMENTACIÓN Y DE DESENCHUFAR EL CABLE DE ALIMENTACIÓN DEL TOMACORRIENTE.

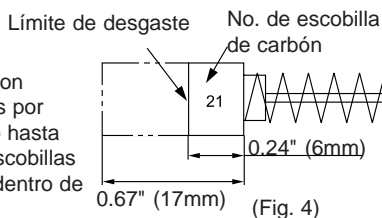
1. Reemplazo de la rueda de disco abombado:
Reemplace la rueda de disco abombado cuando se haya desgastado hasta aproximadamente 2-3/8" (60 mm) de diámetro externo. Confirme que no haya rajaduras ni daños en la rueda de disco abombado. Si existe una raja o deformación en la rueda de disco abombado, reemplácela inmediatamente.
2. Inspección de los tornillos de montaje:
Inspeccione regularmente todos los tornillos de montaje y asegúrese de que estén apretados adecuadamente. Si hay algún tornillo flojo, apriételo inmediatamente.



ADVERTENCIA: LA UTILIZACIÓN DE ESTA AMOLADORA CON TORNILLOS FLOJOS ES EXTREMADAMENTE PELIGROSO.

3. Confirme que el protector de la rueda, el cable de alimentación, la carcasa, etc. no estén dañados: Además, confirme que no exista ninguna anomalía al activar el interruptor.

4. Inspección de la escobillas (Fig. 4):
El motor utiliza escobillas de carbón, que son piezas fungibles. Reemplace las escobillas por otras nuevas cuando se hayan desgastado hasta su límite. Mantenga siempre limpias las escobillas para asegurar que se deslicen libremente dentro de los portaescobillas.



PRECAUCIÓN: LA UTILIZACIÓN DE ESA AMOLADORA CON ESCOBILLAS DESGASTADAS MÁS ALLÁ DEL LÍMITE DAÑARÁ EL MOTOR.

NOTA: Utilice las escobillas JOHN DEERE Núm. 21 indicadas en la Fig. 4.

- a. Reemplazo de las escobillas:
Quite la tapa de la escobilla (Fig. 1) con un destornillador de punta plana. La escobilla podrá extraerse fácilmente.

Mantenimiento e Inspección

MANTENIMIENTO Y REPARACIÓN:

Todas las herramientas eléctricas de calidad requieren de vez en cuando el servicio de mantenimiento o el reemplazo de piezas debido al desgaste producido durante la utilización normal. Para asegurarse de que solamente se utilicen piezas de reemplazo autorizadas, todos los servicios de mantenimiento y reparación deberán realizarse SOLAMENTE EN UN CENTRO DE REPARACIONES AUTORIZADO POR JOHN DEERE.



ADVERTENCIA: NO UTILICE NUNCA NINGÚN ACCESORIO QUE NO SE MENCIONE A CONTINUACIÓN. LA UTILIZACIÓN DE CUALQUIER OTRO ACCESORIO, COMO UNA RUEDA DE COPA, UNA RUEDA DE CORTE, ETC., PODRÍA RESULTAR PELIGROSO Y CAUSAR LESIONES O DAÑOS MECÁNICOS.

NOTA: *Los accesorios están sujetos a cambio sin ninguna obligación por parte de JOHN DEERE.*

ACCESORIOS ESTÁNDAR:

-Llave	1
-Empuñadura lateral	1
-Rueda de disco abombado	1
4-1/2" (115 mm) de dia. externo x 1/4" (6 mm) de grosor x 7/8" (22 mm) de diá. de orificio	

NOTA: *Las especificaciones están sujetas a cambio sin ninguna obligación por parte de JOHN DEERE.*

Nota

Nota

