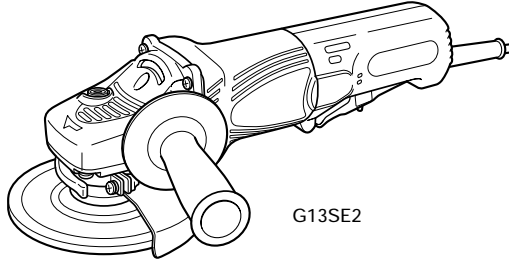


# HITACHI

Model  
Modèle  
Modelo

**G 12SE2 · G 13SE2**

Disc grinder  
Meuleuse  
Amoladora angular



G13SE2

## SAFETY INSTRUCTIONS AND INSTRUCTION MANUAL

### ⚠ WARNING

**IMPROPER OR UNSAFE** use of this power tool can result in death or serious bodily injury!

This manual contains important information about product safety. Please read and understand this manual **BEFORE** operating the power tool. Please keep this manual available for other users and owners before they use the power tool.

This manual should be stored in safe place.

## INSTRUCTIONS DE SECURITE ET MODE D'EMPLOI

### ⚠ AVERTISSEMENT

Une utilisation **INCORRECTE OU DANGEREUSE** de cet outil motorisé peut entraîner la mort ou de sérieuses blessures corporelles!

Ce mode d'emploi contient d'importantes informations à propos de la sécurité de ce produit. Prière de lire et de comprendre ce mode d'emploi **AVANT** d'utiliser l'outil motorisé. Garder ce mode d'emploi à la disponibilité des autres utilisateurs et propriétaires avant qu'ils utilisent l'outil motorisé. Ce mode d'emploi doit être conservé dans un endroit sûr.

## INSTRUCCIONES DE SEGURIDAD Y MANUAL DE INSTRUCCIONES

### ⚠ ADVERTENCIA

¡La utilización **INAPROPIADA O PELIGROSA** de esta herramienta eléctrica puede resultar en lesiones de gravedad o la muerte!

Este manual contiene información importante sobre la seguridad del producto. Lea y comprenda este manual **ANTES** de utilizar la herramienta eléctrica. Guarde este manual para que puedan leerlo otras personas antes de utilizar la herramienta eléctrica. Este manual debe ser guardado en un lugar seguro.



DOUBLE INSULATION  
DOUBLE ISOLATION  
AISLAMIENTO DOBLE

**Hitachi Koki**

## CONTENTS

English	Page	Page	
IMPORTANT SAFETY INFORMATION .....	3	<b>ASSEMBLY AND OPERATION</b> .....	10
MEANINGS OF SIGNAL WORDS .....	3	APPLICATIONS .....	10
<b>SAFETY</b> .....	4	PRIOR TO OPERATION .....	10
GENERAL SAFETY RULES .....	4	GRINDER OPERATION .....	12
SPECIFIC SAFETY RULES AND SYMBOLS .....	6	DEPRESSED CENTER WHEEL ASSEMBLY AND DISASSEMBLY .....	13
DOUBLE INSULATION FOR SAFER OPERATION .....	8	<b>MAINTENANCE AND INSPECTION</b> .....	14
<b>FUNCTIONAL DESCRIPTION</b> .....	9	<b>ACCESSORIES</b> .....	16
NAME OF PARTS .....	9	STANDARD ACCESSORIES .....	16
SPECIFICATIONS .....	9	<b>PARTS LIST</b> .....	49

## TABLE DES MATIERES

Français	Page	Page	
INFORMATIONS IMPORTANTES DE SECURITÉ .....	17	<b>ASSEMBLAGE ET FONCTIONNEMENT</b> .....	25
SIGNIFICATION DES MOTS D'AVERTISSEMENT .....	17	UTILISATIONS .....	25
<b>SECURITE</b> .....	18	AVANT L'UTILISATION .....	25
REGLES GENERALE DE SECURITE .....	18	UTILISATION DE LA MEULEUSE ASSEMBLAGE ET DESASSEMBLAGE DE LA MEULE A DEPRESSION CENTRALE .....	27 29
REGLES DE SECURITE SPECIFIQUES ET SYMBOLES .....	20	<b>ENTRETIEN ET INSPECTION</b> .....	30
DOUBLE ISOLATION POUR UN FONCTIONNEMENT PLUS SUR .....	23	<b>ACCESSOIRES</b> .....	32
<b>DESCRIPTION FONCTIONNELLE</b> .....	24	ACCESSOIRES STANDARD .....	32
NOM DES PARTIES .....	24	<b>LISTE DES PIECES</b> .....	49
SPECIFICATIONS .....	24		

## ÍNDICE

Español	Página	Página	
INFORMACIÓN IMPORTANTE SOBRE SEGURIDAD .....	33	<b>MONTAJE Y OPERACIÓN</b> .....	41
SIGNIFICADO DE LAS PALABRAS DE SEÑALIZACIÓN .....	33	APLICACIONES .....	41
<b>SEGURIDAD</b> .....	34	ANTES DE LA OPERACIÓN .....	41
NORMAS GENERALES DE SEGURIDAD .....	34	OPERACIÓN DE LA AMOLADORA ANGULAR .....	43
NORMAS Y SIMBOLOS ESPECIFICOS DE SEGURIDAD .....	36	MONTAJE Y DESMONTAJE DE LA RUEDA DE DISCO ABOMBADO .....	45
ASLAMIENTO DOBLE PARA OFRECER UNA OPERACIÓN MÁS SEGURA .....	39	<b>MANTENIMIENTO E INSPECCIÓN</b> .....	46
<b>DESCRIPCIÓN FUNCIONAL</b> .....	40	<b>ACCESORIOS</b> .....	48
NOMENCLATURA .....	40	ACCESORIOS ESTÁNDAR .....	48
ESPECIFICACIONES .....	40	<b>LISTA DE PIEZAS</b> .....	49

---

## **IMPORTANT SAFETY INFORMATION**

---

Read and understand all of the safety precautions, warnings and operating instructions in the Instruction Manual before operating or maintaining this power tool.

Most accidents that result from power tool operation and maintenance are caused by the failure to observe basic safety rules or precautions. An accident can often be avoided by recognizing a potentially hazardous situation before it occurs, and by observing appropriate safety procedures.

Basic safety precautions are outlined in the "SAFETY" section of this Instruction Manual and in the sections which contain the operation and maintenance instructions.

Hazards that must be avoided to prevent bodily injury or machine damage are identified by WARNINGS on the power tool and in this Instruction Manual.

**NEVER** use this power tool in a manner that has not been specifically recommended by HITACHI.

---

## **MEANINGS OF SIGNAL WORDS**

---

**WARNING** indicates a potentially hazardous situations which, if ignored, could result in death or serious injury.

**CAUTION** indicates a potentially hazardous situations which, if not avoided, may result in minor or moderate injury, or may cause machine damage.

**NOTE** emphasizes essential information.

# SAFETY

## GENERAL SAFETY RULES

### **⚠ WARNING:** Read and understand all instructions.


Failure to follow all instructions listed below, may result in electric shock, fire and/or serious personal injury.

## SAVE THESE INSTRUCTIONS

### 1. Work Area

- (1) **Keep your work area clean and well lit.** Cluttered benches and dark areas invite accidents.
- (2) **Do not operate power tools in explosive atmospheres, such as in the presence of flammable liquids, gases, or dust.** Power tools create sparks which may ignite the dust of fumes.
- (3) **Keep bystanders, children, and visitors away while operating a power tool.** Distractions can cause you to lose control.

### 2. Electrical Safety

- (1) **Double Insulated tools are equipped with a polarized plug (one blade is wider than the other.) This plug will fit in a polarized outlet only one way. If the plug does not fit fully in the outlet, reverse the plug. If it still does not fit, contact a qualified electrician to install a polarized outlet. Do not change the plug in any way.** Double Insulation  eliminates the need for the three wire grounded power cord and grounded power supply system.
- (2) **Avoid body contact with grounded surfaces such as pipes, radiators, ranges and refrigerators.** There is an increased risk of electric shock if your body is grounded.
- (3) **Don't expose power tools to rain or wet conditions.** Water entering a power tool will increase the risk of electric shock.
- (4) **Do not abuse the cord. Never use the cord to carry the tools or pull the plug from a receptacle. Keep cord away from heat, oil, sharp edges or moving parts. Replace damaged cords immediately.** Damaged cords increase the risk of electric shock.
- (5) **When operating a power tool outside, use an outdoor extension cord marked "W-A" or "W".** These cords are rated for outdoor use and reduce the risk of electric shock.

### 3. Personal Safety

- (1) **Stay alert, watch what you are doing and use common sense when operating a power tool. Do not use tool while tired or under the influence of drugs, alcohol, or medication.** A moment of inattention while operating power tools may result in serious personal injury.
- (2) **Dress properly. Do not wear loose clothing or jewelry. Contain long hair. Keep your hair, clothing and gloves away from moving parts.** Loose clothes, jewelry, or long hair can be caught in moving parts.

- (3) **Avoid accidental starting. Be sure switch is off before plugging in.** Carrying tools with your finger on the switch or plugging in tools that have the switch on invites accidents.
- (4) **Remove adjusting keys or wrenches before turning the tool on.** A wrench or a key that is left attached to a rotating part of the tool may result in personal injury.
- (5) **Do not overreach. Keep proper footing and balance at all times.** Proper footing and balance enables better control of the tool in unexpected situations.
- (6) **Use safety equipment. Always wear protective glasses.** Dust mask, non-skid safety shoes, hard hat, or ear plugs must be used for appropriate conditions.

#### 4. Tool Use and Care

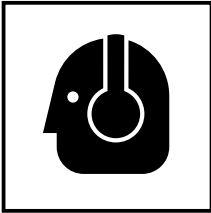
- (1) **Use clamps or other practical way to secure and support the workpiece to a stable platform.** Holding the work by hand or against your body is unstable and may lead to loss of control.
- (2) **Do not force tool. Use the correct tool for your application.** The correct tool will do the job better and safer at the rate for which it is designed.
- (3) **Do not use tool if switch does not turn it on or off.** Any tool that cannot be controlled with the switch is dangerous and must be repaired.
- (4) **Disconnect the plug from the power source before making any adjustments, changing accessories, or storing the tool.** Such preventive safety measures reduce the risk of starting the tool accidentally.
- (5) **Store idle tools out of reach of children and other untrained persons.** Tools are dangerous in the hands of untrained users.
- (6) **Maintain tools with care. Keep cutting tools sharp and clean.** Properly maintained tools, with sharp cutting edges are less likely to bind and are easier to control.
- (7) **Check for misalignment or binding of moving parts, breakage of parts, and any other condition that may affect the tool's operation. If damaged, have the tool serviced by a Hitachi authorized service center before using.** Many accidents are caused by poorly maintained tools.
- (8) **Use only accessories that are recommended by the manufacturer for your model.** Accessories that may be suitable for one tool, may become hazardous when used with another tool.

#### 5. Service

- (1) **Tool service must be performed only by a Hitachi authorized service center.** Service or maintenance performed by unqualified personnel could result in a risk of injury.
- (2) **When servicing a tool, use only identical replacement parts. Follow instructions in the Maintenance section of this manual.** Use of unauthorized parts or failure to follow Maintenance Instruction may create a risk of electric shock or injury.

## SPECIFIC SAFETY RULES AND SYMBOLS

1. **ALWAYS** use proper guard with depressed center wheel. A guard protects operator from broken wheel fragments.
2. **Accessories must be rated for at least the speed recommended on the tool warning label.** Wheels and other accessories running over rated speed can fly apart and cause injury.
3. **Hold tools by insulated gripping surfaces when performing an operation where the tool may contact hidden wiring or its own cord.** Contact with a “live” wire will make exposed metal parts of the tool “live” and shock the operator.
4. **ALWAYS** wear ear plugs when using the tool for extended periods.



Prolonged exposure to high intensity noise can cause hearing loss.

5. **Use only a depressed center wheel with a rated capacity which is GREATER than 13300 RPM for G12SE2 and 12000 RPM for G13SE2.** Using any wheel a rated capacity LESS than 13300 RPM and/or an incorrect sized wheel (see SPECIFICATIONS at page 9) may result in wheel breakage, flying wheel fragments, and resulting in death or serious injury.
6. **NEVER** touch moving parts.

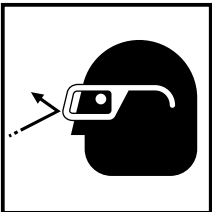


**NEVER** place your hands, fingers or other body parts near the tool's moving parts.

7. **NEVER** operate without all guards in place.  
**NEVER** operate this tool without all guards or safety features in place and in proper working order. If maintenance or servicing requires the removal of a guard or safety feature, be sure to replace the guard or safety feature before resuming operation of the tool.
8. **Use right tool.**  
Don't force small tool or attachment to do the job of a heavy-duty tool.  
Don't use tool for purpose not intended—for example— don't use circular saw for cutting tree limbs or logs.
9. **NEVER** use a power tool for applications other than those specified.  
**NEVER** use a power tool for applications other than those specified in the Instruction Manual.
10. **Handle tool correctly.**  
Operate the tool according to the instructions provided herein. Do not drop or throw

the tool. **NEVER** allow the tool to be operated by children, individuals unfamiliar with its operation or unauthorized personnel.

11. **Keep all screws, bolts and covers tightly in place.**  
Keep all screws, bolts, and plates tightly mounted. Check their condition periodically.
12. **Do not use power tools if the plastic housing or handle is cracked.**  
Cracks in the tool's housing or handle can lead to electric shock. Such tools should not be used until repaired.
13. **Blades and accessories must be securely mounted to the tool.**  
Prevent potential injuries to yourself or others. Blades, cutting implements and accessories which have been mounted to the tool should be secure and tight.
14. **Keep motor air vent clean.**  
The tool's motor air vent must be kept clean so that air can freely flow at all times. Check for dust build-up frequently.
15. **Operate power tools at the rated voltage.**  
Operate the power tool at voltages specified on its nameplate.  
If using the power tool at a higher voltage than the rated voltage, it will result in abnormally fast motor revolution and may damage the unit and the motor may burn out.
16. **NEVER use a tool which is defective or operating abnormally.**  
If the tool appears to be operating unusually, making strange noises, or otherwise appears defective, stop using it immediately and arrange for repairs by a Hitachi authorized service center.
17. **NEVER leave tool running unattended. Turn power off.**  
Don't leave tool until it comes to a complete stop.
18. **Carefully handle power tools.**  
Should a power tool be dropped or struck against hard materials inadvertently, it may be deformed, cracked, or damaged.
19. **Do not wipe plastic parts with solvent.**  
Solvents such as gasoline, thinner benzene, carbon tetrachloride, and alcohol may damage and crack plastic parts. Do not wipe them with such solvents.  
Wipe plastic parts with a soft cloth lightly dampened with soapy water and dry thoroughly.
20. **NEVER** use a depressed center wheel which is cracked or deformed or worn away (see the MAINTENANCE AND INSPECTION section on page 14).
21. **NEVER** use the grinder in places where the sparks generated by the grinder can cause explosion, such as where flammable materials or gases are present.
22. **NEVER** push in the push button while the spindle is running.
23. **ALWAYS** wear eye protection that meets the requirement of the latest revision of ANSI Standard Z87.1.



24. **ALWAYS** wear a mask or respirator to protect yourself from dust or potentially harmful particles generated during the grinding operation.

25. **ALWAYS** firmly grip the body handle and side handle while operating the grinder.
26. **ALWAYS** have a trial run before grinding commence. (see Test the grinder before using on page 11).
27. **ALWAYS** follow the instructions contained in this manual when replacing the depressed center wheel.
28. **ALWAYS** be careful with buried object such as an underground wiring.  
Touching these active wiring or electric cable with this tool, you may receive an electric shock.  
Confirm if there are any buried object such as electric cable within the wall, floor or ceiling where you are going to operate here after.
29. Definitions for symbols used on this tool
  - V ..... volts
  - Hz ..... hertz
  - A ..... amperes
  - No ..... no load speed
  - W ..... watt
  - ☐ ..... Class II Construction
  - /min .... revolutions per minute

---

## **DOUBLE INSULATION FOR SAFER OPERATION**

---

To ensure safer operation of this power tool, HITACHI has adopted a double insulation design. "Double insulation " means that two physically separated insulation systems have been used to insulate the electrically conductive materials connected to the power supply from the outer frame handled by the operator. Therefore, either the symbol "☐" or the words "Double insulation" appear on the power tool or on the nameplate.

Although this system has no external grounding, you must still follow the normal electrical safety precautions given in this Instruction Manual, including not using the power tool in wet environments.

To keep the double insulation system effective, follow these precautions:

- Only HITACHI AUTHORIZED SERVICE CENTER should disassemble or assemble this power tool, and only genuine HITACHI replacement parts should be installed.
- Clean the exterior of the power tool only with a soft cloth moistened with soapy water, and dry thoroughly.  
Never use solvents, gasoline or thinners on plastic components; otherwise the plastic may dissolve.

**SAVE THESE INSTRUCTIONS  
AND  
MAKE THEM AVAILABLE TO  
OTHER USERS AND OWNERS  
OF THIS TOOL!**



# FUNCTIONAL DESCRIPTION

**NOTE:** The information contained in this Instruction Manual is designed to assist you in the safe operation and maintenance of the power tool.

**NEVER** operate, or attempt any maintenance on the tool unless you have first read and understood all safety instructions contained in this manual.

Some illustrations in this Instruction Manual may show details or attachments that differ from those on your own power tool.

## NAME OF PARTS

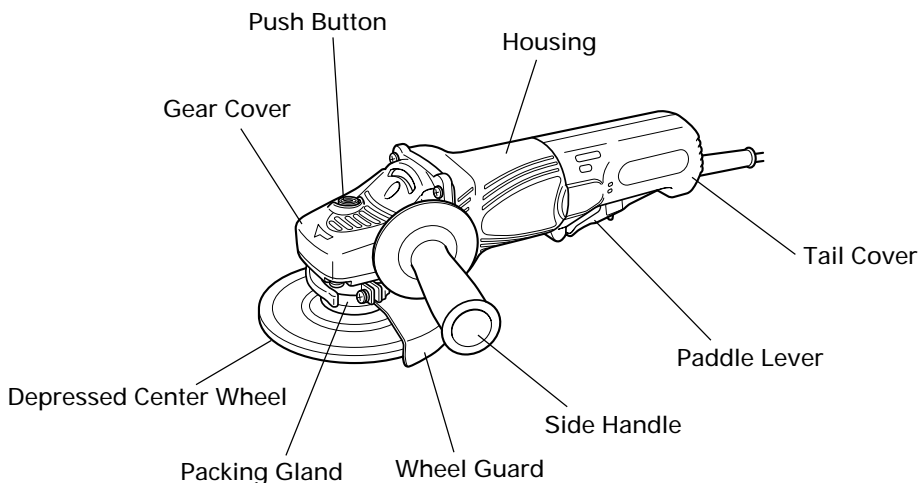


Fig.1

## SPECIFICATIONS

Model	G12SE2	G13SE2
Motor	Single-Phase Series Commutator Motor	
Power Source	Single-Phase 120 V AC 60 Hz, 120V DC	
Current	9.5 A	
No-Load Speed	10000/min	
Wheel Size: external diam. hole diam.	4-1/2" (115 mm) 7/8" (22 mm)	5" (125 mm) 7/8" (22 mm)
Weight	4.2 lbs (1.9 kg)	

# ASSEMBLY AND OPERATION

## APPLICATIONS

- Removal of casting fin and finishing of various type of steel, bronze and aluminum materials and castings.
- Grinding of welded sections or sections cut by means of an acetylene torch.
- Grinding of synthetic resins, slate, brick, marble.

**⚠ WARNING:** To avoid the risk of serious injury, NEVER use this grinder with cup wheels and/or saw blades.

## PRIOR TO OPERATION

1. Power source  
Ensure that the power source to be utilized conforms to the power source requirements specified on the product nameplate.
2. Power switch  
Ensure that the switch is in the OFF position. If the plug is connected to a receptacle while the switch is in the ON position, the power tool will start operating immediately and can cause serious injury.
3. Extension cord  
When the work area is far away from the power source, use an extension cord of sufficient thickness and rated capacity. The extension cord should be kept as short as practicable.



**⚠ WARNING:**  
Damaged cord must be replaced or repaired.

4. Check the receptacle  
If the receptacle only loosely accepts the plug, the receptacle must be repaired. Contact a licensed electrician to make appropriate repairs.  
If such a faulty receptacle is used, it may cause overheating, resulting in a serious hazard.
5. Check your work environment  
Ensure the following before operation;
  - No flammable gas, liquid, or object at worksite.
  - When grinding thin steel sheet it may cause a high booming noise.  
To avoid such noise, place a rubber mat under the workpiece.
  - Clear the area of children or unauthorized personnel.

## 6. Mounting the wheel guard

Be sure to mount the wheel guard at an angle that will protect the operator's body from injury by a broken wheel piece.

[How to attach and adjust the wheel guard](Fig. 2)

- Set the wheel ass'y to the packing gland.
- Tighten M5 screw to secure the wheel guard while the lever is in closed position.
- Perform the adjustment, of the wheel guard while the lever is released. (Loosen M5 screw and readjust if the wheel guard does not rotate smoothly.)
- After adjustment, if grinder operation is required, perform the operation only after setting the lever in closed position.
- Lubricate the sliding section of the set piece (B) and the lever if the lever does not move smoothly.

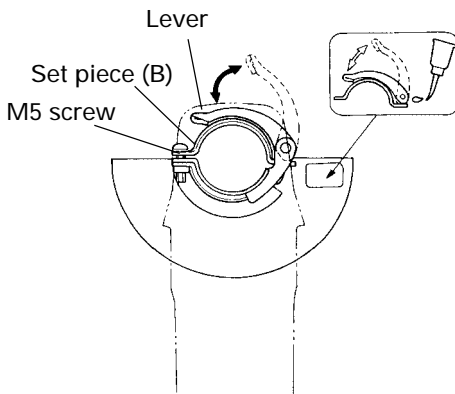


Fig. 2

## ⚠ WARNING:

If the wheel guard is not attached properly, a broken wheel may result in and cause death or serious injury.

7. Thoroughly check that the depressed center wheel is free of cracks, splits and other abnormalities before mounting. Make sure it is firmly clamped and has been properly mounted. Refer to page 13 of this manual for Depressed Center Wheel Assembly and Disassembly
8. Test the grinder before using.

Before actually beginning the grinding work, test the grinder by first clearing the area of all other personnel. Make sure the wheel guard is in place and that you are wearing eye protection. Turn the grinder "on", and make sure the grinder runs smoothly and shows no abnormalities.

Duration of the trial run is as follows:

When depressed center wheel is replaced ..... 3 minutes or more

When starting daily work ..... 1 minute or more

9. Use only properly rated depressed center wheels.  
Use only depressed center wheels rated at **13300 RPM or more for G12SE2 and 12000 RPM or more for G13SE2**.  
Using a depressed center wheel rated less can lead to wheel disintegration during operation and cause serious bodily injury.
10. Check the push button.  
Make sure that the push button is disengaged by pushing push button two or three times before turning on the grinder. (Fig. 5)

## GRINDER OPERATION

1. Hold the grinder firmly by its body handle and side handle (Fig. 1)  
The grinder produces a counterforce which must be controlled by firmly holding onto the grinder.
2. Switch operation  
Switch On: To switch on, slide the lock lever in the direction of (A) and press the paddle lever in the direction of (B) as shown in Fig. 3-a.  
Furthermore, slide the lock lever in the direction of (C) shown in Fig.3-b while pressing the paddle lever to lock and enable continuous operation.  
Switch OFF: To release the locking mode, press the paddle lever in the direction of (B) shown in Fig.3-a, and release the paddle lever to switch off.

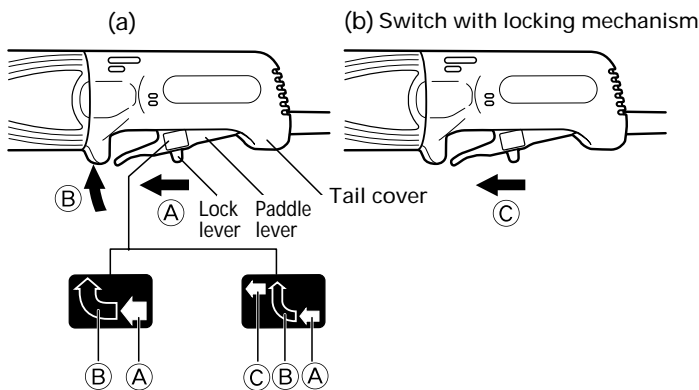


Fig. 3

3. Use light grinding pressure.  
There is no need to press hard when grinding. Usually the grinder's own weight is sufficient to allow the required light contact with the surface to be ground.

**⚠ WARNING:** Do not press the grinder forcibly against the surface to be ground. Heavy pressure can result in wheel breakage and serious injury. It can also damage the surface being ground or damage the grinder's motor.

4. Use proper grinding angle.  
Grind only with the wheel's edge by lifting the grinder 15° to 30°, as shown in Fig. 4.

**⚠ CAUTION:**

- Do not use the entire surface of the depressed center wheel. Use only the edge of the depressed center wheel.

5. Move the grinder in the proper direction. When using a new depressed center wheel in direction A (Fig. 4), the wheel edge may cut into the workpiece. In this case, grind in direction B (Fig. 4).

Once the wheel edge is worn, the workpiece can be ground in both directions.

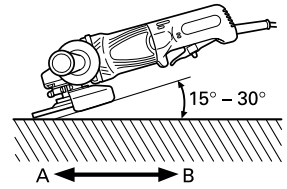


Fig. 4

**NOTE:** The wheel provided (resinoid wheel) is rated as Class A grain and # 36 grain size. It is most suitable for heavy grinding of steel and other types of materials.

6. Adjust operation to desired finish.

For a fine finish, decrease pressure by lifting slightly. Grind slowly and at the appropriate speed.

**CAUTION:**

- The revolving depressed center wheel will create air turbulence.
- Do no lay the grinder down in areas of dust or dirt until it has come to a complete stop.

## DEPRESSED CENTER WHEEL ASSEMBLY AND DISASSEMBLY

**WARNING:** Never attempt to assemble or disassemble the depressed center wheel, unless the power switch is in the "OFF" position and the electrical cord has been disconnected from the receptacle.

1. Assembly

- (1) Turn the disc grinder upsidedown so that the spindle is facing upward.
- (2) Align the across flats of the wheel washer with the notched part of the spindle, then attach them.
- (3) Fit the protuberance of the depressed center wheel onto the wheel washer.
- (4) Screw the wheel nut onto the spindle.
- (5) While pushing the push button with one hand, lock the spindle by turning the depressed center wheel slowly with the other hand.

Tighten the wheel nut by using the supplied wrench as shown in Fig. 5.

**CAUTION:**

- Tighten the wheel nut securely and confirm that the depressed center wheel does not wobble.

2. Disassembly

To remove the depressed center wheel, simply reverse the above-mentioned procedure.

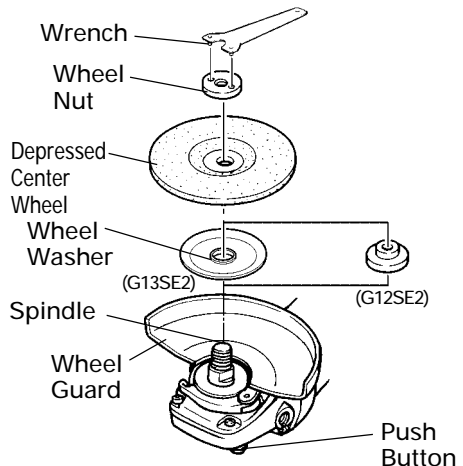


Fig. 5

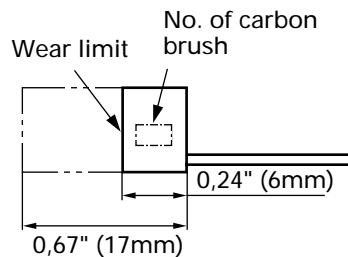
# MAINTENANCE AND INSPECTION

- ⚠ WARNING:**
- Be sure to switch power OFF and disconnect the plug from the receptacle during maintenance and inspection.
  - Using cracked, deformed or damaged wheels can lead to wheel breakage and resulting serious injury.

1. Replacing the depressed center wheel  
Replace the depressed center wheel when it has been worn out to about 2-3/8" (60mm) in external diameter. Confirm that there is no crack or any damage to the depressed center wheel. If there is a crack or a transformation in the wheel, replace it immediately.
2. Inspecting the screws  
Regularly inspect all screws and ensure that they are fully tightened. Should any of the screws be loosened, retighten them immediately.

- ⚠ WARNING:** Using this grinder with loosened screws is extremely dangerous.

3. Confirm that there is no damage in the wheel guard, the cord and housing, etc. Furthermore, confirm that there is no abnormality in the activation of the switch.
4. Inspecting the carbon brushes (Fig. 6)  
The Motor employs carbon brushes which are consumable parts. When they become worn to or near the "wear limit", it could result in motor trouble. When an auto-stop carbon brush is equipped, the motor will stop automatically. At that time, replace both carbon brushes with new ones which have the same carbon brush Numbers shown in the figure. In addition, always keep carbon brushes clean and ensure that they slide freely within the brush holders.



	No. of carbon brush
Usual carbon brush	88
Auto-stop carbon brush	76

Fig. 6

- ⚠ CAUTION:**

- Using this grinder with a carbon brush which is worn in excess of the wear limit will damage the motor.

**NOTE:** Use HITACHI carbon brush No. 76 or No. 88 indicated in Fig. 6.

○ Replacing carbon brushes (Fig. 7):

<Disassembly>

- (1) Loosen the D4 tapping screw retaining the tail cover and remove the tail cover.
- (2) Use the auxiliary hexagonal wrench or small screwdriver to pull up the edge of the spring that is holding down the carbon brush. Remove the edge of the spring toward the outside of the brush holder.
- (3) Remove the end of the pig-tail on the carbon brush from the terminal section of brush holder and then remove the carbon brush from the brush holder.

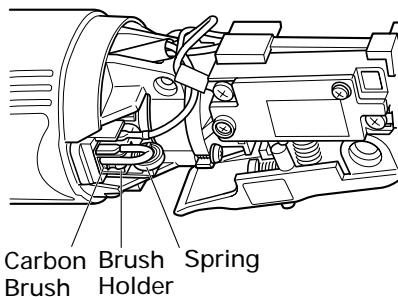


Fig. 7

<Assembly>

- (1) Insert the end of the pi-tail of the carbon brush in the terminal section of brush holder.
- (2) Insert the carbon brush in the brush holder.
- (3) Use the auxiliary hexagonal wrench or small screwdriver to return the edge of the spring to the head of the carbon brush.
- (4) Mount the tail cover and tighten the D4 tapping screw.

5. Service and repairs

All quality power tools will eventually require servicing or replacement of parts because of wear from normal use. To assure that only authorized replacement parts will be used, all service and repairs must be performed by a HITACHI AUTHORIZED SERVICE CENTER, ONLY.

6. Service parts list

**⚠ CAUTION:**

**Repair, modification and inspection of Hitachi Power Tools must be carried out by an Hitachi Authorized Service Center.**

**This Parts List will be helpful if presented with the tool to the Hitachi Authorized Service Center when requesting repair or other maintenance.**

**In the operation and maintenance of power tools, the safety regulations and standards prescribed in each country must be observed.**

**MODIFICATIONS:**

Hitachi Power Tools are constantly being improved and modified to incorporate the latest technological advancements.

Accordingly, some parts (i.e. code numbers and/or design) may be changed without prior notice.

# ACCESSORIES

**⚠ WARNING:** Never use any accessories other than those mentioned below.  
 The use of any accessories other than those mentioned below or attachments not intended for use such as cup wheel, cut-off wheel or saw blade is dangerous and may cause personal injury or property damage.

**NOTE:** Accessories are subject to change without any obligation on the part of the HITACHI.

## STANDARD ACCESSORIES

- Depressed center wheel..... 1  
 4-1/2" (115 mm) external dia. × 1/4" (6 mm) thickness × 7/8" (22 mm) hole dia.  
 (Code No. 701045 or 326203) ..... G12SE2
- 5" (125mm) external dia. × 1/4" (6 mm) thickness × 7/8" (22 mm) hole dia.  
 (Code No. 701050 or 326205) ..... G13SE2
- Wrench (Code No. 938332Z) ..... 1
- Side Handle (Code No. 956633)..... 1

**NOTE:** Specifications are subject to change without any obligation on the part of the HITACHI



---

## INFORMATIONS IMPORTANTES DE SÉCURITÉ

---

Lire et comprendre toutes les précautions de sécurité, les avertissements et les instructions de fonctionnement dans ce mode d'emploi avant d'utiliser ou d'entretenir cet outil motorisé.

La plupart des accidents causés lors de l'utilisation ou de l'entretien de l'outil motorisé proviennent d'un non respect des règles ou précautions de base de sécurité. Un accident peut la plupart du temps être évité si l'on reconnaît une situation de danger potentiel avant qu'elle ne se produise, et en observant les procédures de sécurité appropriées.

Les précautions de base de sécurité sont mises en évidence dans la section "SECURITE" de ce mode d'emploi et dans les sections qui contiennent les instructions de fonctionnement et d'entretien.

Les dangers qui doivent être évités pour prévenir des blessures corporelles ou un endommagement de la machine sont identifiés par AVERTISSEMENTS sur l'outil motorisé et dans ce mode d'emploi.

**NE JAMAIS** utiliser cet outil motorisé d'une manière qui n'est pas spécifiquement recommandée par HITACHI.

---

## SIGNIFICATION DES MOTS D'AVERTISSEMENT

---

**AVERTISSEMENT** indique des situations potentiellement dangereuses qui, si elles sont ignorées, pourraient entraîner la mort ou de sérieuses blessures.

**PRECAUTION** indique des situations dangereuses potentielles qui, si elles ne sont pas évitées, peuvent entraîner de mineures et légères blessures ou endommager la machine.

**REMARQUE** met en relief des informations essentielles.

# SECURITE

## REGLES GENERALE DE SECURITE


**⚠ AVERTISSEMENT:** Lire et comprendre toutes les instructions.  
Un non respect de toutes les instructions ci-dessous peut entraîner une électrocution, un incendie et/ou de sérieuses blessures personnelles.

## CONSERVER CES INSTRUCTIONS

### 1. Zone de travail

- (1) Garder la zone de travail propre et bien éclairée. Les établis mal rangés et les zones sombres invitent aux accidents.
- (2) Ne pas utiliser les outils motorisés dans une atmosphère explosive, telle qu'en présence de liquides inflammables, de gaz ou de poussières. Les outils motorisés créent des étincelles qui risquent d'enflammer la poussière ou les vapeurs.
- (3) Tenir les spectateurs, les enfants et les visiteurs éloignés, lors de l'utilisation de l'outil motorisé. Une distraction peut faire perdre le contrôle de la machine.

### 2. Sécurité électrique

- (1) Les outils à double isolation sont équipés d'une fiche polarisée (une lame est plus large que l'autre). Cette fiche ne pénétrera dans une prise secteur polarisée que dans un sens. Si la fiche ne rentre pas complètement dans la prise, la retourner. Si elle ne rentre toujours pas, contacter un électricien qualifié pour installer une prise polarisée. Ne pas modifier la fiche d'aucune façon. La double isolation  élimine le besoin d'un cordon d'alimentation à trois fils et d'un système d'alimentation avec mises à la terre.
- (2) Eviter tout contact corporel avec les surfaces mises à la terre telles que les canalisations, les radiateurs, les réchauds et les réfrigérateurs. Il y a un risque accru d'électrocution si son corps est mis à la terre.
- (3) Ne pas exposer les outils motorisés à la pluie ou à l'humidité. De l'eau pénétrant à l'intérieur de l'outil motorisé augmente le risque d'électrocution.
- (4) Ne pas maltraiter le cordon d'alimentation. Ne jamais utiliser le cordon pour porter les outils ou tirer sur la fiche du réceptacle. Garder le cordon à l'écart de la chaleur, de l'huile, des arêtes coupantes ou des pièces en mouvement. Remplacer les cordons endommagés immédiatement. Des cordons endommagés augmentent le risque d'électrocution.
- (5) Lors de l'utilisation d'un outil motorisé, utiliser un cordon de rallonge extérieur marqué "W-A" ou "W". Ces cordons sont prévus pour une utilisation extérieure et réduisent les risques d'électrocution.

### 3. Sécurité personnelle

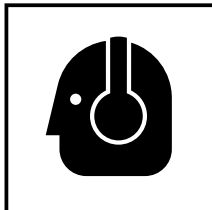
- (1) Rester sur ses gardes, regarder ce que l'on fait et utiliser son sens commun lors de l'utilisation d'un outil motorisé. Ne pas utiliser un outil en état de fatigue ou sous l'influence de drogues, d'alcool ou de médicaments. Un moment d'inattention lors de l'utilisation de l'outil motorisé peut entraîner de sérieuses blessures personnelles.

- (2) **S'habiller correctement. Ne pas porter des vêtements larges ou des bijoux. Attacher les cheveux longs. Tenir ses cheveux, vêtements et ses gants éloignés des parties mobiles.** Les vêtements larges, les bijoux et les cheveux longs peuvent se prendre dans les parties mobiles.
  - (3) **Eviter tout démarrage accidentel. S'assurer que le l'interrupteur d'alimentation est sur la position d'arrêt avant de brancher la machine.** Transporter l'appareil avec les doigts sur l'interrupteur d'alimentation ou brancher un outil avec l'interrupteur sur la position marche invite aux accidents.
  - (4) **Retirer les clefs d'ajustement ou les commutateurs avant de mettre l'outil sous tension.** Une clef qui est laissée attachée à une partie tournante de l'outil peut provoquer une blessure personnelle.
  - (5) **Ne pas trop présumer de ses forces. Garder en permanence une position et un équilibre correct.** Une position et un équilibre correct permettent un meilleur contrôle de l'outil dans des situations inattendues.
  - (6) **Utiliser un équipement de sécurité. Toujours porter des lunettes de protection.** Un masque à poussière, des chaussures de sécurité antidérapantes, un chapeau dur et des bouchons d'oreille doivent être utilisés dans les conditions appropriées.
4. **Utilisation de l'outil et entretien**
- (1) **Utiliser un étau ou toutes autres façons de fixer et maintenir la pièce à usiner sur une plate-forme stable.** Tenir la pièce avec la main ou contre son corps est instable et peut conduire à une perte de contrôle de l'outil.
  - (2) **Ne pas forcer sur l'outil. Utiliser l'outil correct pour l'application souhaitée.** L'outil correct réalisera un meilleur et plus sûr travail dans le domaine pour lequel il a été conçu.
  - (3) **Ne pas utiliser un outil s'il ne se met pas sous ou hors tension avec un interrupteur.** Un outil qui ne peut pas être commandé avec un interrupteur est dangereux et doit être réparé.
  - (4) **Déconnecter la fiche de la source d'alimentation avant de réaliser tout ajustement, changement d'accessoires ou pour ranger l'outil.** De telles mesures de sécurité réduisent le risque que l'outil ne démarre accidentellement.
  - (5) **Ranger les outils inutilisés hors de la portée des enfants et des autres personnes inexpérimentées.** Les outils sont dangereux dans les mains de personnes inexpérimentées.
  - (6) **Conserver les outils avec soin. Garder les outils de coupe aiguisés et propres.** Des outils bien entretenus, avec des lames coupantes aiguisées risquent moins de se gripper et sont plus faciles à contrôler.
  - (7) **Vérifier les défauts d'alignement ou grippage des parties mobiles, les ruptures des pièces et toutes les autres conditions qui peuvent affecter le fonctionnement des outils. En cas de dommage, faire réparer l'outil par un centre de service HITACHI autorisé avant de l'utiliser.** Beaucoup d'accidents sont causés par des outils mal entretenus.
  - (8) **Utiliser uniquement les accessoires recommandés par le fabricant pour le modèle utilisé.** Des accessoires qui peuvent convenir à un outil, peuvent devenir dangereux lorsqu'ils sont utilisés avec un autre outil.
5. **Réparation**
- (1) **La réparation de l'outil ne doit être réalisée que par un centre de service HITACHI autorisé.** Une réparation ou un entretien réalisé par un personnel non qualifié peut entraîner des risques de blessures.

- (2) Lors de la réparation d'un outil, utiliser uniquement des pièces de rechange identiques. Suivre les instructions de la section d'entretien de ce mode d'emploi. L'utilisation de pièces non autorisées ou un non respect des instructions d'entretien peut créer un risque d'électrocution ou de blessures.

## REGLES DE SECURITE SPECIFIQUES ET SYMBOLES

1. **Se servir systématiquement d'un capot couvre-meule approprié.** En effet, le capot couvre-meule met l'opérateur à l'abri d'éventuelles projections de fragments de meule cassés.
2. **Les accessoires doivent être utilisés à une cadence équivalent au moins à la vitesse de rotation de la meule telle qu'elle est indiquée sur l'étiquette de mise en garde de l'outil.** En effet, les meules et les autres accessoires qui sont utilisés à une cadence supérieure à la vitesse nominale risquent d'être projetés aux alentours et de blesser quelqu'un.
3. **Tenir les outils par les surfaces de grippage lors de la réalisation d'opération où l'outil de coupe risque d'entrer en contact avec des câbles cachés ou son propre cordon.** Un contact avec un fil "sous tension" mettra les parties métalliques de l'outil "sous tension" et électrocutera l'utilisateur.
4. **TOUJOURS porter des bouchons d'oreille lors de l'utilisation de l'outil pendant de longues périodes.**



Une exposition prolongée à un son de forte intensité peut endommager l'ouïe de l'utilisateur.

5. **Utiliser seulement une meule à dépression centrale ayant un régime nominal SUPERIEUR à 13 300t/mn pour G12SE2 et à 12 000t/mn pour G13SE2.** L'utilisation d'une meule à dépression centrale ayant un régime nominal INFÉRIEUR à 13 300 t/mn et/ou d'une meule de la mauvaise taille (voir les SPECIFICATIONS, page 24) risque de provoquer une rupture de la meule et de projeter des fragments de meule, ce qui pourrait entraîner la mort ou des blessures graves.
6. **NE JAMAIS toucher les parties mobiles.**

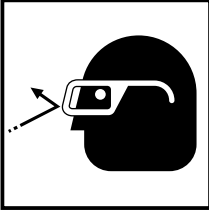



**NE JAMAIS** placer ses mains, ses doigts ou toute autre partie de son corps près des parties mobiles de l'outil.

7. **NE JAMAIS utiliser l'outil sans que tous les dispositifs de sécurité ne soient en place.** **NE JAMAIS** faire fonctionner cet outil sans que tous les dispositifs et caractéristiques de sécurité ne soient en place et en état de fonctionnement. Si un entretien ou une réparation nécessite le retrait d'un dispositif ou d'une caractéristique de sécurité, s'assurer de bien remettre en place le dispositif ou la caractéristique de sécurité avant de recommencer à utiliser l'outil.

8. **Utiliser l'outil correct**  
Ne pas forcer sur un petit outil ou accessoire pour faire le travail d'un outil de grande puissance. Ne pas utiliser un outil pour un usage pour lequel il n'a pas été prévu: par exemple, ne pas utiliser une scie circulaire pour couper des branches d'arbre ou des bûches.
9. **NE JAMAIS utiliser un outil motorisé pour des applications autres que celles spécifiées. NE JAMAIS** utiliser un outil motorisé pour des applications autres que celles spécifiées dans le mode d'emploi.
10. **Manipuler l'outil correctement**  
Utiliser l'outil de la façon indiquée dans ce mode d'emploi. Ne pas laisser tomber ou lancer l'outil. **NE JAMAIS** permettre que l'outil soit utilisé par des enfants, des personnes non familiarisées avec son fonctionnement ou un personnel non autorisé.
11. **Maintenir toutes les vis, tous les boulons et les couvercles fermement en place.**  
Maintenir toutes les vis, tous les boulons et les couvercles fermement montés. Vérifier leurs conditions périodiquement.
12. **Ne pas utiliser les outils motorisés si le revêtement de plastique ou la poignée est fendu.**  
Des fentes dans le revêtement ou la poignée peuvent entraîner une électrocution. De tels outils ne doivent pas être utilisés avant d'être réparé.
13. **Les lames et les accessoires doivent être fermement montés sur l'outil.**  
Éviter les blessures potentielles personnelles et aux autres. Les lames, les instruments de coupe et les accessoires qui ont été montés sur l'outil doivent être fixés et serrés fermement.
14. **Garder propres les événements d'air du moteur**  
Les événements d'air du moteur doivent être maintenus propres de façon que l'air puisse circuler librement tout le temps. Vérifier les accumulations de poussière fréquemment.
15. **Utiliser l'outil motorisé à la tension nominale.**  
Utiliser l'outil motorisé à la tension spécifiée sur sa plaque signalétique.  
Si l'on utilise l'outil motorisé avec une tension supérieure à la tension nominale, il en résultera une rotation anormalement trop rapide du moteur et cela risque d'endommager l'outil et le moteur risque de griller.
16. **NE JAMAIS utiliser un outil défectueux ou qui fonctionne anormalement.**  
Si l'outil n'a pas l'air de fonctionner normalement, fait des bruits étranges ou sans cela paraît défectueux, arrêter de l'utiliser immédiatement et le faire réparer par un centre de service Hitachi autorisé.
17. **NE JAMAIS laisser fonctionner l'outil sans surveillance. Le mettre hors tension.**  
Ne pas abandonner l'outil avant qu'il ne soit complètement arrêté.
18. **Manipuler l'outil motorisé avec précaution.**  
Si un outil motorisé tombe ou frappe un matériau dur accidentellement, il risque d'être déformé, fendu ou endommagé.
19. **Ne pas essuyer les parties en plastique avec du solvant.**  
Les solvants comme l'essence, les diluants, la benzine, le tétrachlorure de carbone et l'alcool peuvent endommager et fissurer les parties en plastique. Ne pas les essuyer avec de tels solvants.  
Essuyer les parties en plastique avec un chiffon doux légèrement imbibé d'une solution d'eau savonneuse et sécher minutieusement.
20. **NE JAMAIS** utiliser de meule à dépression centrale fendue, déformée ou usée (voir la section ENTRETIEN ET INSPECTION, page 30).

- 21. **NE JAMAIS** utiliser la meuleuse dans des endroits où les étincelles générées par la meuleuse peuvent causer une explosion. Par exemple, en présence de matériaux inflammables ou de gaz.
- 22. **NE JAMAIS** appuyer sur la bouton-poussoir pendant que l'arbre est en train de tourner.
- 23. **TOUJOURS** porter des lunettes des protections conformes aux exigences des dernières révisions du standard ANSI Z87.1.



- 24. **TOUJOURS** porter un masque ou un respirateur pour se protéger de la poussière et des particules dangereuses générées pendant l'opération de meulage.
- 25. **TOUJOURS** tenir fermement la poignée principale et la poignée latérale lors de l'utilisation de la meuleuse.
- 26. **TOUJOURS** réaliser un essai de fonctionnement avant de commencer le meulage. (Voir Essai de la meuleuse avant l'utilisation, la page 26).
- 27. **TOUJOURS** suivre les instructions contenues dans ce mode d'emploi lors du remplacement de la meule à dépression centrale.
- 28. **TOUJOURS** vérifier s'il y a des objets encastrés, par exemple des fils électriques. Le fait de toucher avec l'outil un fil ou un câble électrique sous tension encastré dans le mur risque de provoquer une décharge électrique. Vérifier s'il y a des objets encastrés, par exemple un câble électrique, dans le mur, le plancher ou le planfond avant d'y commencer le travail.
- 29. Définitions pour les symboles utilisés sur cet outil
  - V ..... volts
  - Hz ..... hertz
  - A ..... ampères
  - No ..... vitesse sans charge
  - W ..... watt
  -  ..... Construction de classe II
  - /min ..... tours par minute

## **DOUBLE ISOLATION POUR UN FONCTIONNEMENT PLUS SÛR**

Pour assurer un fonctionnement plus sûr de cet outil motorisé, HITACHI a adopté une conception à double isolation. "Double isolation" signifie que deux systèmes d'isolation physiquement séparés ont été utilisés pour isoler les matériaux conducteurs d'électricité connectés à l'outil motorisé à partir du cadre extérieur manipulé par l'utilisateur. C'est pourquoi, le symbole "☐" ou les mots "Double insulation" (double isolation) apparaissent sur l'outil motorisé ou sur la plaque signalétique.

Bien que ce système n'ait pas de mise à terre extérieure, il est quand même nécessaire de suivre les précautions de sécurité électrique données dans ce mode d'emploi, y-compris de ne pas utiliser l'outil motorisé dans un environnement humide.

Pour garder le système de double isolation effectif, suivre ces précautions:

- Seuls les CENTRES DE SERVICE AUTORISÉS HITACHI peuvent démonter et remonter cet outil motorisé et uniquement des pièces de rechange HITACHI garanties d'origine doivent être utilisées.
- Nettoyer l'extérieur de l'outil motorisé uniquement avec un chiffon doux légèrement imbibé d'une solution savonneuse et essuyer minutieusement.  
Ne jamais utiliser des solvants, de l'essence ou des diluants sur les parties en plastique; sinon le plastique risquerait de se dissoudre.

**CONSERVER CES INSTRUCTIONS  
ET  
LES METTRE A LA DISPOSITION  
DES AUTRES UTILISATEURS  
ET  
PROPRIETAIRES DE CET OUTIL!**

# DESCRIPTION FONCTIONNELLE

**REMARQUE:** Les informations contenues dans ce mode d'emploi sont conçues pour assister l'utilisateur dans une utilisation sans danger et un entretien de l'outil motorisé.

**NE JAMAIS** utiliser ni entreprendre une révision de l'outil sans avoir d'abord lu et compris toutes les instructions de sécurité contenues dans ce manuel. Certaines illustrations dans ce mode d'emploi peuvent montrer des détails ou des accessoires différents de ceux de l'outil motorisé utilisé.

## NOM DES PARTIES

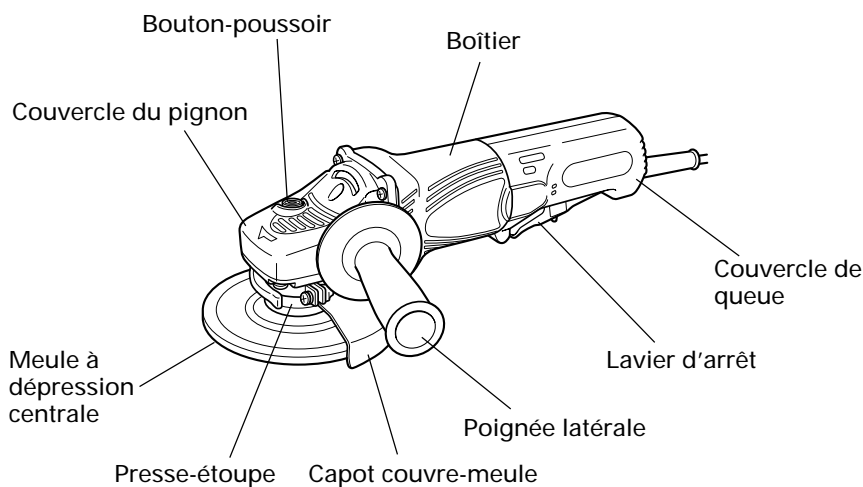


Fig.1

## SPECIFICATIONS

Modèle	G12SE2	G13SE2
Moteur	Moteur série monophasé à collecteur	
Source d'alimentation	Monophasé 120 V CA 60 Hz, 120VCC	
Courant	9,5 A	
Vitesse sans charge	10000/min.	
Taille de la meule:		
Diamètre extérieur	4-1/2" (115 mm)	5" (125 mm)
Diamètre du trou central	7/8" (22 mm)	7/8" (22 mm)
Poids	4,2 lbs (1,9 kg)	



# ASSEMBLAGE ET FONCTIONNEMENT

## UTILISATIONS

- Retrait des ébarbures de moulage et finition de divers type de matériaux en métal, bronze et aluminium ainsi que des moulages.
- Meulage des sections soudées ou des sections coupées à l'acétylène.
- Meulage des résines synthétiques, des ardoises, des briques, du marbre.

**⚠ AVERTISSEMENT:** Pour éviter tout risque de blessures graves, **NE JAMAIS utiliser cette meuleuse avec des meules-boisseaux et/ou des lames de scie.**

## AVANT L'UTILISATION

1. Source d'alimentation  
S'assurer que la source d'alimentation qui doit être utilisée est conforme à la source d'alimentation requise spécifiée sur la plaque signalétique du produit.
2. Interrupteur d'alimentation  
S'assurer que l'interrupteur est sur la position OFF (arrêt). Si la fiche est connectée sur une prise alors que l'interrupteur est sur la position ON (marche), l'outil motorisé démarrera immédiatement risquant de causer de sérieuses blessures.
3. Cordon prolongateur  
Quand la zone de travail est éloignée de la source d'alimentation, utiliser un cordon prolongateur d'épaisseur et de capacité nominale suffisante. Le cordon prolongateur doit être aussi court que possible.



**⚠ AVERTISSEMENT:**  
Tout cordon endommagé devra être remplacé ou réparé.

4. Vérifier la prise  
Si la prise reçoit la fiche avec beaucoup de jeu, elle doit être réparée. Contacter un électricien licencié pour réaliser les réparations nécessaires.  
Si une telle prise défectueuse est utilisée, elle peut causer une surchauffe entraînant des dangers sérieux.
5. Vérifier l'environnement de travail.  
S'assurer des points suivants avant d'utiliser l'outil :
  - Il n'y a pas de gaz, de liquides ni d'objets inflammables sur le site de travail.

- Le meulage de feuilles de métal fines peut engendrer un son très aigu. Pour éviter les bruits de ce genre, placer un tapis de caoutchouc sous la pièce.
- Eloigner de la pièce tous les enfants et le personnel non autorisé.

6. Montage du capot couvre-meule

S'assurer de monter le capot couvre-meule avec un angle qui protège le corps de l'opérateur de blessures causées par une pièce de métal cassée.

[Fixation et ajustement du couvre-meule] (Fig.2)

- Installez l'assemblage de la meule sur le presseétoupe.
- Serrez la vis M5 pour immobiliser le couvre-meule pendant que le levier est dans la position fermée.
- Ajustez le couvre-meule pendant que le levier est relâché. (Desserrez la vis M5 et réajustez si le couvre-meule ne tourne pas régulièrement.)
- Si la machine doit être utilisée après l'ajustement, n'oubliez pas de régler d'abord le levier en position fermée.
- Lubrifiez la partie coulissante de la pièce de réglage (B) et le levier si vous avez du mal à le bouger.

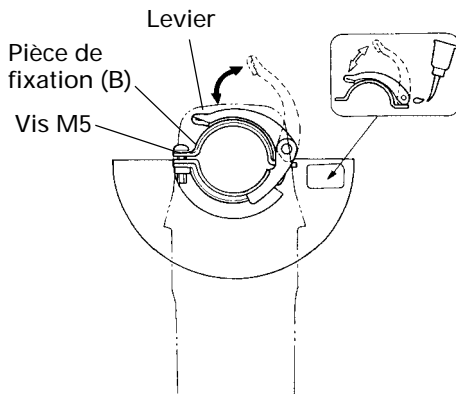


Fig. 2

**⚠ AVERTISSEMENT:** Si le capot couvre-meule n'est pas correctement fixé, cela risque de provoquer une rupture de la meule et d'entraîner la mort ou des blessures graves.

7. Avant le montage, inspecter attentivement la meule à dépression centrale pour voir si elle a des fissures, fentes ou autres anomalies. S'assurer qu'elle est solidement fixée et qu'elle est montée correctement. Pour l'assemblage et le désassemblage de la meule à dépression centrale, voir page 28.

8. Essayer la meuleuse avant de l'utiliser.

Avant de commencer le travail de meulage, essayer la meuleuse en éloignant d'abord toutes les autres personnes de la pièce. S'assurer que le capot couvre-meule est en place et que l'on porte des lunettes de protection. Mettre la meuleuse en marche et s'assurer que la meule tourne en douceur et ne présente pas d'anomalie.

La durée de l'essai de fonctionnement est comme suit:

Quand la meule à dépression centrale a été remplacée ..... 3 minutes ou plus

Avant de commencer le travail quotidien ..... 1 minute ou plus

9. Utiliser seulement des meules à dépression centrale à valeur correcte.

Utiliser exclusivement des meules à dépression centrale ayant un régime nominal de 13 300t/mn ou plus pour G12SE2 et de 12 000t/mn ou plus pour G13SE2.

L'utilisation d'une meule à dépression centrale de valeur inférieure peut conduire à une désintégration de la meule pendant son fonctionnement et causer de sérieuses blessures corporelles.

#### 10. Vérifier la bouton-poussoir

S'assurer que la bouton-poussoir n'est pas engagée appuyant dessus deux ou trois fois avant de mettre la meuleuse en marche. (Fig. 5)

## UTILISATION DE LA MEULEUSE

### 1. Maintenir la meuleuse fermement par sa poignée principale et sa poignée secondaire (Fig.1).

La meuleuse produit une contre-force qui doit être maîtrisée en la maintenant fermement.

### 2. Fonctionnement de l'interrupteur.

Interrupteur sur ON:

Pour mettre l'outil en marche, pousser le levier de blocage dans la direction de (A) et appuyer sur le levier d'arrêt dans la direction de (B) comme indiqué sur la Fig.3-a.

Ensuite, poussez le levier de blocage dans la direction de (C) comme indiqué sur la Fig.3-b tout en appuyant sur la levier d'arrêt pour verrouiller et permettre un fonctionnement continu.

Interrupteur sur OFF:

Pour annuler le mode de blocage, appuyer sur le levier d'arrêt dans la direction de (B) comme indiqué sur la Fig.3-a et relâcher le levier d'arrêt pour arrêter l'outil.

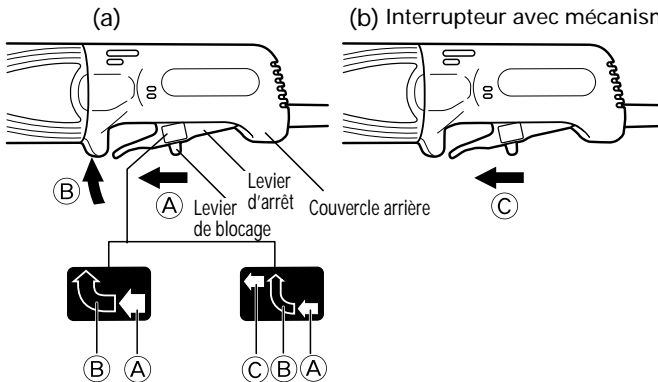


Fig. 3

### 3. Utiliser une légère pression de meulage.

Il n'y a pas besoin d'appuyer fortement sur la meuleuse pendant le meulage. Normalement le propre poids de la meuleuse est suffisant pour permettre le léger contact requis avec la surface à travailler.

**⚠ AVERTISSEMENT:** Ne pas presser avec force la meuleuse sur la surface à rectifier. Une forte pression peut casser la meule et causer de sérieuses blessures. Cela peut aussi endommager la surface en train d'être rectifiée et le moteur de la meuleuse.

4. Utiliser un angle de meulage correct.  
Meuler seulement avec le rebord de la meule en soulevant la meuleuse de 15° à 30°, comme montré sur la Fig. 4.

**⚠ PRECAUTION:**

- Ne pas utiliser la surface entière de la meule à dépression centrale. Utiliser seulement le rebord de la meule à dépression centrale.

5. Déplacer la meuleuse dans la direction correcte.

Lors de l'utilisation d'une nouvelle meule à dépression centrale dans la direction A (Fig. 4), le rebord de la meule risque de couper la pièce à usiner. Dans ce cas meuler dans la direction B (Fig. 4).

Une fois que la meule est usée, la pièce à usiner peut être meulée dans les deux directions.

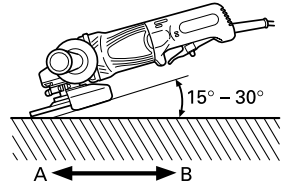


Fig. 4

**REMARQUE:** La meule fournie (meule en résine) est classée comme grain de classe A avec une taille de grain de #36. Elle est plus adaptée aux lourds travaux de meulage sur du métal et d'autres types de matériaux.

6. Opération d'ajustement pour la finition souhaitée  
Pour une finition fine, diminuer la pression en soulevant légèrement la meuleuse. Meuler doucement et à la vitesse appropriée.

**⚠ PRECAUTION:**

- La meule à dépression centrale en rotation crée une turbulence d'air.
- Ne pas poser la meuleuse dans des endroits poussiéreux ou sales avant qu'elle ne soit complètement arrêtée.

## ASSEMBLAGE ET DESASSEMBLAGE DE LA MEULE A DEPRESSION CENTRALE

**⚠ AVERTISSEMENT:** Ne jamais essayer d'assembler ou de désassembler la meule à dépression centrale si l'interrupteur d'alimentation n'est pas sur la position "OFF" et que le cordon électrique n'est pas débranché de la prise secteur.

### 1. Assemblage

- (1) Mettre la meuleuse à l'envers de façon que l'arbre soit dirigé vers le haut.
- (2) Aligner les aplats en couronne de la rondelle de meule sur l'encoche de l'arbre, puis les fixer.
- (3) Positionner la protubérance de la meule à dépression centrale sur la rondelle de meule.
- (4) Visser l'écrou de meule sur l'arbre.
- (5) Tout en poussant sur la bouton-poussoir avec une main, verrouiller l'arbre en tournant doucement la meule à dépression centrale avec l'autre main.  
Serrer l'écrou de meule en utilisant la clef fournie comme montré sur la Fig. 5.

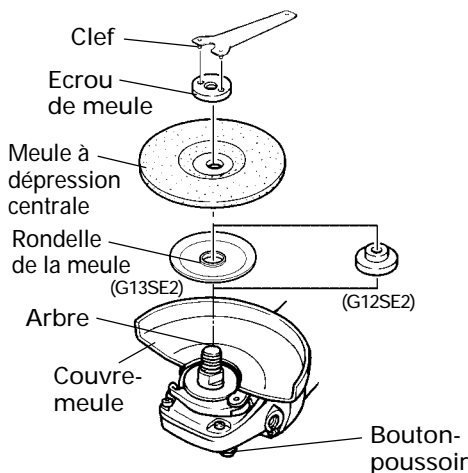


Fig. 5

**⚠ PRECAUTION:**

- Serrer l'écrou de meule fermement et s'assurer que la meule à dépression centrale n'oscille pas.
- ### 2. Désassemblage
- Pour retirer la meule à dépression centrale, il suffit de suivre la procédure ci-dessus dans l'ordre inverse.

# ENTRETIEN ET INSPECTION

- ⚠ AVERTISSEMENT:**
- S'assurer de mettre l'interrupteur d'alimentation sur la position OFF et de déconnecter la fiche de la prise secteur avant l'entretien et l'inspection de la meuleuse.
  - L'utilisation d'une meule fissurée, déformée ou endommagée risque de provoquer une rupture de la meule et d'entraîner la mort ou des blessures graves.

1. Remplacement de la meule à dépression centrale  
Remplacer la meule à dépression centrale quand elle est usée sur environ 2-3/8" (60 mm) du diamètre extérieur. Vérifier qu'il n'y a pas de fissure ni aucun dommage à la meule à dépression centrale. S'il y avait une fissure ou une modification de la meule, la remplacer immédiatement.
2. Inspection des vis  
Inspecter régulièrement toutes les vis et s'assurer qu'elles sont serrées à fond. Si l'une des vis était desserrée, la resserrer immédiatement.

**⚠ AVERTISSEMENT:** Utiliser la meuleuse avec des vis desserrées est extrêmement dangereux.

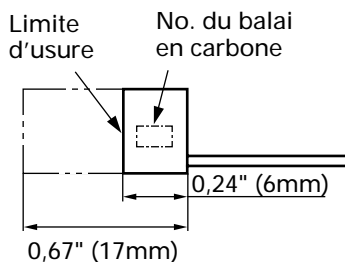
3. Vérifier qu'il n'y a aucun dommage au capot couvre-meule, au cordon, au boîtier, etc.

De plus, vérifier qu'il n'y a pas d'anomalie dans l'activation de l'interrupteur.

4. Contrôle des balais en carbone (Fig. 6)

Le moteur utilise des balais en carbone qui sont des pièces qui s'usent. Quand ils sont usés ou près de la "limite d'usure", il pourra en résulter un mauvais fonctionnement du moteur.

Quand le moteur est équipé d'un balai en carbone à arrêt automatique, il s'arrêtera automatiquement. Remplacez alors les balais en carbone par des nouveaux et ayant les mêmes numéros que ceux montrés sur la figure. En outre, toujours tenir les balais propres et veiller à ce qu'ils coulissent librement dans les supports.



	No. du balai en carbone
Balai carbone ordinaire	88
Balai carbone à arrêt automatique	76

Fig. 6

**⚠ PRECAUTION:**

- Utiliser la meuleuse avec un balai en carbone qui est usé au-delà de la limite d'usure endommagera le moteur.

**REMARQUE:** Utiliser le balai en carbone HITACHI No. 76 ou 88 indiqué sur la figure 6.

○ Remplacement d'un balai en carbone (Fig.7):

<Démontage>

- (1) Desserrer la vis taraudeuse D4 qui retient le couvercle arrière pour l'enlever.
- (2) Utiliser la clé auxiliaire à six pans ou un petit tournevis pour soulever le bord du ressort qui retient le balai en carbone. Retirer le bord du ressort vers l'extérieur du support du balai.
- (3) Enlever le bord du flexible du balai et en carbone de la section du support de balai et retirer le balai en carbone de son support.

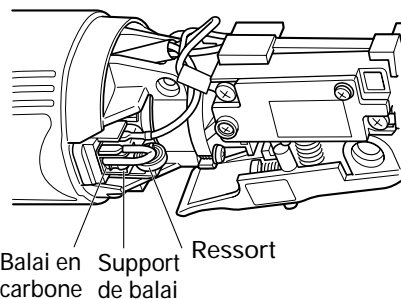


Fig. 7

<Montage>

- (1) Insérer l'extrémité du flexible du balai en carbone dans la section finale du support du balai.
- (2) Insérer la balai en carbone dans son support.
- (3) Utiliser la clé auxiliaire à six pans ou un petit tournevis pour remettre le bord du ressort contre la tête du balai en carbone.
- (4) Fermer le couvercle arrière et serrer la vis taraubeuse D4.

## 5. Entretien et réparation

Tous les outils motorisés de qualité auront éventuellement besoin d'une réparation ou du remplacement d'une pièce à cause de l'usure normale de l'outil. Pour assurer que seules des pièces de rechange autorisées seront utilisées, tous les entretiens et les réparations doivent être effectués uniquement par UN CENTRE DE SERVICE HITACHI AUTORISÉ.

## 6. Liste des pièces de rechange

### **⚠ ATTENTION :**

**Les réparations, modifications et inspections des outils électriques Hitachi doivent être confiées à un service après-vente Hitachi agréé.**

**Il sera utile de présenter cette liste de pièces au service après-vente Hitachi agréé lorsqu'on apporte un outil nécessitant des réparations ou tout autre entretien.**

**Lors de l'utilisation et de l'entretien d'un outil électrique, respecter les règlements et les normes de sécurité en vigueur dans le pays en question.**

### **MODIFICATIONS :**

Les outils électriques Hitachi sont constamment améliorés et modifiés afin d'incorporer les tous derniers progrès technologiques.

En conséquence, il est possible que certaines pièces (c.-à-d. no. de code et/ou dessin) soient modifiées sans avis préalable.

# ACCESSOIRES

**⚠ AVERTISSEMENT:** Ne jamais utiliser de pièces d'accessoires autres que ceux mentionnés ci-dessous.

L'utilisation de tout autre accessoire que ceux mentionnés ci-dessous ou de tout équipement non conçu pour cet outil, tel qu'une meule-boisseau, une meule en cuvette ou une lame de scie est dangereuse et peut provoquer des blessures ou des dommages du matériel.

**REMARQUE:** Les accessoires sont sujets à changement sans obligation de la part de HITACHI.

## ACCESSOIRES STANDARD

- Meule à dépression centrale ..... 1  
 4-1/2" (105 mm) dia. extérieur × 1/4" (6 mm) épaisseur × 7/8" (22 mm) trou central  
 (No. de code 701045 ou 326203) .... G12SE2  
 5" (125mm) dia. extérieur × 1/4" (6 mm) épaisseur × 7/8" (22 mm) trou central  
 (Code No. 701050 ou 326205) ..... G13SE2
- Clef (No. de code 938332Z) ..... 1
- Poignée latérale (No. de code 956633) ..... 1

**REMARQUE:** Les spécifications sont sujettes à modification sans aucune obligation de la part de HITACHI.



---

## INFORMACIÓN IMPORTANTE SOBRE SEGURIDAD

---

Antes de utilizar o de realizar cualquier trabajo de mantenimiento de esta herramienta eléctrica, lea y comprenda todas las precauciones de seguridad, advertencias e instrucciones de funcionamiento de este Manual de instrucciones.

La mayoría de los accidentes producidos en la operación y el mantenimiento de una herramienta eléctrica se deben a la falta de observación de las normas o precauciones de seguridad. Los accidentes normalmente podrán evitarse reconociendo una situación potencialmente peligrosa a tiempo y siguiendo los procedimientos de seguridad apropiados.

Las precauciones básicas de seguridad se describen en la sección "SEGURIDAD" de este Manual de instrucciones y en las secciones que contienen las instrucciones de operación y mantenimiento.

Para evitar lesiones o el daño de la herramienta eléctrica, los riesgos están identificados con ADVERTENCIAS en dicha herramienta y en este Manual de instrucciones.

No utilice **NUNCA** esta herramienta eléctrica de ninguna forma que no esté específicamente recomendada por HITACHI.

---

## SIGNIFICADO DE LAS PALABRAS DE SEÑALIZACIÓN

---

**ADVERTENCIA** indica situaciones potencialmente peligrosas que, si se ignoran, pueden resultar en la muerte o en lesiones de gravedad.

**PRECAUCIÓN** indica situaciones potencialmente peligrosas que, de no evitarse, pueden resultar en lesiones menores o moderadas, o causar daños en la herramienta eléctrica.


**NOTA** acentúa información esencial.

# SEGURIDAD

## NORMAS GENERALES DE SEGURIDAD

**⚠️ ADVERTENCIA:** Lea y entienda todas las instrucciones. Si no sigue las instrucciones indicadas a continuación, pueden producirse descargas eléctricas, incendios, y/o lesiones serias.

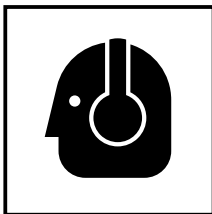
### GUARDE ESTAS INSTRUCCIONES.

1. **Área de trabajo**
  - (1) **Mantenga el área de trabajo limpia y bien iluminada.** Los bancos de trabajo desordenados y las áreas oscuras pueden conducir a accidentes.
  - (2) **No utilice la herramienta en atmósferas explosivas, como en presencia de líquidos inflamables, gases, o polvo.** La herramienta eléctrica crea chispas que pueden incendiar polvo o gases.
  - (3) **Mantenga alejadas a otras personas, niños o visitantes, cuando utilice la herramienta eléctrica.** Las distracciones pueden hacer que pierda el control de la herramienta.
2. **Seguridad eléctrica**
  - (1) **Las herramientas eléctricas con aislamiento doble poseen un enchufe polarizado (una cuchilla es más ancha que la otra.) Este enchufe encajará en un tomacorriente polarizado de una sola forma. Si el enchufe no entra completamente en el tomacorriente, invierta su sentido de inserción. Si sigue sin entrar, póngase en contacto con un electricista cualificado para que le instale un tomacorriente polarizado. No cambie nunca el enchufe.** El aislamiento doble  elimina la necesidad de un cable de alimentación de tres conductores, uno para puesta a tierra, y del sistema de alimentación con puesta a tierra.
  - (2) **Evite el contacto con superficies con puesta a tierra, tales como tubos, radiadores, hornos, y refrigeradores.** Si toca tierra, existe el peligro de que reciba una descarga eléctrica.
  - (3) **No exponga la herramienta eléctrica a la lluvia ni a la humedad.** La entrada de agua en la herramienta eléctrica aumentará el riesgos de descargas eléctricas.
  - (4) **No maltrate el cable de alimentación. No utilice nunca el cable de alimentación para transportar la herramienta ni para desconectarla del tomacorriente. Mantenga el cable alejado del calor, aceite, bordes cortantes, o partes móviles. Reemplace inmediatamente cualquier cable dañado.** Un cable dañado puede ser la causa de descargas eléctricas.
  - (5) **Cuando utilice la herramienta eléctrica en exteriores, utilice un cable prolongador marcado con "W-A" o "W".** Estos cables han sido diseñados para utilizarse en exteriores y reducir el riesgo de descargas eléctricas.
3. **Seguridad personal**
  - (1) **Esté siempre alerta y utilice el sentido común cuando utilice la herramienta eléctrica. No utilice la herramienta cuando esté cansado o bajo la influencia de medicamentos ni de alcohol.** Un descuido al utilizar la herramienta eléctrica puede resultar en una lesión seria.
  - (2) **Vístase adecuadamente. No utilice ropa floja ni joyas. Si tiene pelo largo, recójase.** Mantenga su pelo, ropa, y guantes alejados de las partes móviles. La ropa floja, las joyas, o el pelo largo pueden engancharse en las partes móviles.

- (3) **Evite la puesta en marcha accidental.** Cerciórese de que la alimentación de la herramienta eléctrica esté desconectada antes de enchufarla en una toma de la red. Si lleva la herramienta eléctrica con el dedo colocado en el interruptor, o si la enchufa con dicho interruptor cerrado, es posible que se produzcan accidentes.
  - (4) **Quite las llaves de ajuste y abra los interruptores antes de poner en funcionamiento la herramienta.** Una llave dejada en una parte móvil de la herramienta podría resultar en lesiones.
  - (5) **No sobrepase su alcance.** Mantenga en todo momento un buen equilibrio. El conservar en todo momento el equilibrio le permitirá controlar mejor la herramienta en situaciones inesperadas.
  - (6) **Utilice equipos de seguridad. Póngase siempre gafas protectoras.** Para conseguir las condiciones apropiadas, utilice una mascarilla contra el polvo, zapatos no resbaladizos, un casco duro, y tapones para los oídos.
4. **Utilización y cuidados de la herramienta**
- (1) **Utilice abrazaderas u otra forma práctica de asegurar y sujetar la pieza de trabajo sobre una plataforma estable.** La sujeción de la pieza de trabajo con la mano o contra su cuerpo puede ser inestable y conducir a la pérdida del control.
  - (2) **No fuerce la herramienta. Utilice la herramienta correcta para su aplicación.** Con la herramienta correcta realizará mejor el trabajo y ésta será más segura para la velocidad para la que ha sido diseñada.
  - (3) **No utilice la herramienta si el interruptor de alimentación de la misma no funciona.** Cualquier herramienta que no pueda controlarse con el interruptor de alimentación puede resultar peligrosa, y deberá repararse.
  - (4) **Desconecte el enchufe del cable de alimentación antes de realizar cualquier ajuste, cambiar accesorios, o guardar la herramienta.** Tales medidas preventivas de seguridad reducirán el riesgo de que la herramienta se ponga en funcionamiento accidentalmente.
  - (5) **Guarde las herramientas que no vaya a utilizar fuera del alcance de niños y de otras personas no entrenadas.** Las herramientas son peligrosas en manos de personas inexpertas.
  - (6) **Realice el mantenimiento cuidadoso de las herramientas.** Mantenga las herramientas afiladas y limpias. Las herramientas adecuadamente mantenidas, con los bordes cortantes afilados, serán más fáciles de utilizar y controlar.
  - (7) **Compruebe que las piezas móviles no estén desalineadas ni atascadas, que no hayan piezas rotas, ni otra condición que pueda afectar la operación de las herramientas.** En caso de que una herramienta esté averiada, hágala reparar en un centro de servicio autorizado HITACHI antes de utilizarla. Muchos de los accidentes se deben a herramientas mal cuidadas.
  - (8) **Utilice solamente los accesorios recomendados por el fabricante para su modelo.** Los accesorios adecuados para una herramienta pueden ser peligrosos cuando se utilicen con otra.
5. **Servicio de reparación**
- (1) **El servicio de reparación de la herramienta deberá realizarlo sólo un centro de servicio autorizado HITACHI.** El servicio de mantenimiento o reparación realizado por persona no cualificado podría resultar en el riesgo de lesiones.
  - (2) **Para el servicio de mantenimiento o reparación de una herramienta, utilice solamente piezas de repuesto idénticas. Siga las instrucciones de la sección de mantenimiento de este manual.** La utilización de piezas no autorizadas, o el no seguir las indicaciones del Manual de instrucciones puede crear el riesgo de descargas eléctricas u otras lesiones.

## NORMAS Y SÍMBOLOS ESPECÍFICOS DE SEGURIDAD

1. **Emplee siempre un protector adecuado para el disco abombado.**
2. **Los accesorios deben tener un valor nominal por lo menos para la velocidad recomendada en la etiqueta de advertencia de la herramienta.** Los discos y los otros accesorios que funcionan a una velocidad superior a la nominal pueden salir volando y causar daños.
3. **Sujete las herramientas por las superficies de empuñadura aisladas cuando realice una operación en la que la herramienta pueda entrar en contacto con cables ocultos o con su propio cable de alimentación.** El contacto con un conductor "activo" "activará" las partes metálicas de la herramienta y el operador recibirá una descarga eléctrica.
4. **Cuando tenga que utilizar la herramienta durante mucho tiempo, colóquese SIEMPRE**



**tapones en los oídos.**

La exposición prolongada a ruido de gran intensidad puede causar la pérdida del sentido del oído.

5. **Utilice únicamente una rueda de disco abombado con una capacidad nominal SUPERIOR a 13300 RPM para G12SE2, 12000 para G13SE2.** El uso de una rueda con una capacidad nominal INFERIOR a 13300 RPM y/o una rueda del tamaño incorrecto (véase ESPECIFICACIONES en la página 40) podría producir rotura de la rueda y proyección de fragmentos de la rueda, provocando la muerte o lesiones de gravedad.
6. **No toque nunca las piezas móviles.**

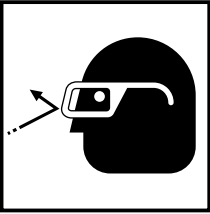



**NO** coloque **NUNCA** sus manos, dedos, ni demás partes del cuerpo cerca de las piezas móviles de la herramienta.

7. **NO utilice NUNCA la herramienta sin los protectores colocados en su lugar.** **NO** utilice **NUNCA** esta herramienta sin los protectores de seguridad correctamente instalados. Si el trabajo de mantenimiento o de reparación requiere el desmontaje de un protector de seguridad, cerciórese de volver a instalarlo antes de utilizar la herramienta.
8. **Utilice la herramienta correcta.**  
No fuerce herramientas ni accesorios pequeños para realizar un trabajo pesado. No utilice las herramientas para fines no proyectados, por ejemplo, no utilice esta amoladora angular para cortar madera.
9. **NO utilice NUNCA una herramienta eléctrica para aplicaciones que no sean las especificadas.**  
**NO** utilice **NUNCA** una herramienta eléctrica para aplicaciones no especificadas en este Manual de instrucciones.

10. **Maneje correctamente la herramienta.**  
Maneje la herramienta de acuerdo con las instrucciones ofrecidas aquí. No deje caer ni tire la herramienta. **NO** permita **NUNCA** que los niños ni otras personas no autorizadas ni familiarizadas con la operación de la herramienta utilicen ésta.
11. **Mantenga todos los tornillos, pernos, y cubiertas firmemente fijados en su lugar.**  
Mantenga todos los tornillos, pernos, y cubiertas firmemente montados. Compruebe periódicamente su condición.
12. **No utilice herramientas eléctricas si la carcasa o la empuñadura de plástico está rajada.**  
Las rajaduras en la carcasa o en la empuñadura de plástico pueden conducir a descargas eléctricas. Tales herramientas no deberán utilizarse mientras no se hayan reparado.
13. **Las cuchillas y los accesorios deberán montarse con seguridad en la herramienta.**  
Evite lesiones personales y de otras personas. Las cuchillas, los accesorios de corte, y demás accesorios montados en la herramienta deberán fijarse con seguridad.
14. **Mantenga limpio el conducto de ventilación del motor.**  
El conducto de ventilación del motor limpio para que el aire pueda circular libremente en todo momento. Compruebe frecuentemente y limpie el polvo acumulado.
15. **Utilice las herramientas eléctricas con la tensión de alimentación nominal.**  
Utilice las herramientas eléctricas con las tensiones indicadas en sus placas de características.  
La utilización de una herramienta eléctrica con una tensión superior a la nominal podría resultar en revoluciones anormalmente altas del motor, en el daño de la herramienta, y en la quemadura del motor.
16. **NO utilice NUNCA una herramienta defectuosa o que funcione anormalmente.**  
Si la herramienta parece que funciona anormalmente, produciendo ruidos extraños, etc., deje inmediatamente de utilizarla y solicite su arreglo a un centro de reparaciones autorizado por Hitachi.
17. **NO deje NUNCA la herramienta en funcionamiento desatendida. Desconecte su alimentación.**  
No deje sola la herramienta hasta mientras no se haya parado completamente.
18. **Maneje con cuidado las herramientas eléctricas.**  
Si una herramienta eléctrica se ha caído o ha chocado inadvertidamente contra materiales duros, es posible que se haya deformado, rajado, o dañado.
19. **No limpie las partes de plástico con disolvente.**  
Los disolventes, como gasolina, diluidor de pintura, bencina, tetracloruro de carbono, y alcohol pueden dañar o rajar las partes de plástico. No las limpie con tales disolventes. Limpie las partes de plástico con un paño suave ligeramente humedecido en agua jabonosa y después séquelas bien.
20. **NUNCA** utilice una rueda de disco abombada que esté agrietada, deformada o gastada (consulte la sección MANTENIMIENTO E INSPECCIÓN en la página 46).
21. **NUNCA** utilice la amoladora en lugares en los que las chispas generadas por la misma puedan causar una explosión, como cerca de materiales o gases inflamables.
22. **NUNCA** presione el botón pulsador mientras el eje esté girando.

23. **SIEMPRE** utilice protección para los ojos que satisfaga los requisitos de la última versión de la norma Z87.1 de ANSI.



24. **SIEMPRE** utilice una mascarilla para protegerse contra el polvo o las partículas potencialmente dañinos generados durante la operación de la amoladora.
25. **SIEMPRE** sujete firmemente la empuñadura del cuerpo y la empuñadura lateral cuando utilice la amoladora.
26. **SIEMPRE** realice una operación de prueba antes de utilizar la amoladora. (Véase “Pruebe la amoladora antes de utilizarla” en la página 41).
27. **SIEMPRE** siga las instrucciones indicadas en este manual cuando reemplace la rueda de disco abombado.
28. Tenga cuidado **SIEMPRE** con los objetos que puedan estar enterrados o emparedados, tales como cables eléctricos.  
Si tocase un cable activo con esta herramienta, podría recibir una descarga eléctrica. Confirme que no haya ningún objeto enterrado o emparedado, como cables eléctricos, en el suelo, el techo, o en las paredes en los que vaya a trabajar.
29. Definiciones para los simbolos utilizados en esta herramienta
- V ..... voltios
  - Hz ..... hertzios
  - A ..... amperios
  - $n^{\circ}$ ... ..... velocidad sin carga
  - W ..... vatios
  -  ..... Construcción de clase II
  - /min ..... revoluciones por minuto

---

## **AISLAMIENTO DOBLE PARA OFRECER UNA OPERACIÓN MÁS SEGURA**

---

Para garantizar una operación más segura de esta herramienta eléctrica, HITACHI ha adoptado un diseño de aislamiento doble. "Aislamiento doble" significa que se han utilizado dos sistemas de aislamiento físicamente separados para aislar los materiales eléctricamente conductores conectados a la fuente de alimentación del bastidor exterior manejado por el operador. Por lo tanto, en la herramienta eléctrica o en su placa de características aparecen el símbolo "☐" o las palabras "Double insulation" (aislamiento doble).

Aunque este sistema no posee puesta a tierra externa, usted deberá seguir las precauciones sobre seguridad eléctrica ofrecidas en este Manual de instrucciones, incluyendo la no utilización de la herramienta eléctrica en ambientes húmedos.

para mantener efectivo el sistema de aislamiento doble, tenga en cuenta las precauciones siguientes:

- Esta herramienta eléctrica solamente deberá desensamblar y ensamblarla un CENTRO DE REPARACIONES AUTORIZADO POR HITACHI, y solamente deberán utilizarse con ella piezas de reemplazo genuinas de HITACHI.
- Limpie el exterior de la herramienta eléctrica solamente con un paño suave humedecido en agua jabonosa, y después séquela bien.  
No utilice disolventes, gasolina, ni diluidor de pintura para limpiar las partes de plástico, ya que podría disolverlas.

**¡GUARDE ESTAS INSTRUCCIONES  
Y  
PÓNGALAS A DISPOSICIÓN DE  
OTROS USUARIOS  
Y  
PROPIETARIOS DE ESTA  
HERRAMIENTA!**

# DESCRIPCIÓN FUNCIONAL

**NOTA:** La información contenida en este Manual de instrucciones ha sido diseñada para ayudarle a utilizar con seguridad y mantener esta herramienta eléctrica.

**NUNCA** haga funcionar ni efectúe el mantenimiento de la herramienta antes de leer y comprender todas las instrucciones de seguridad contenidas en este manual.

Algunas ilustraciones de este Manual de Instrucciones pueden mostrar detalles o accesorios diferentes a los de la propia herramienta eléctrica.

## NOMENCLATURA

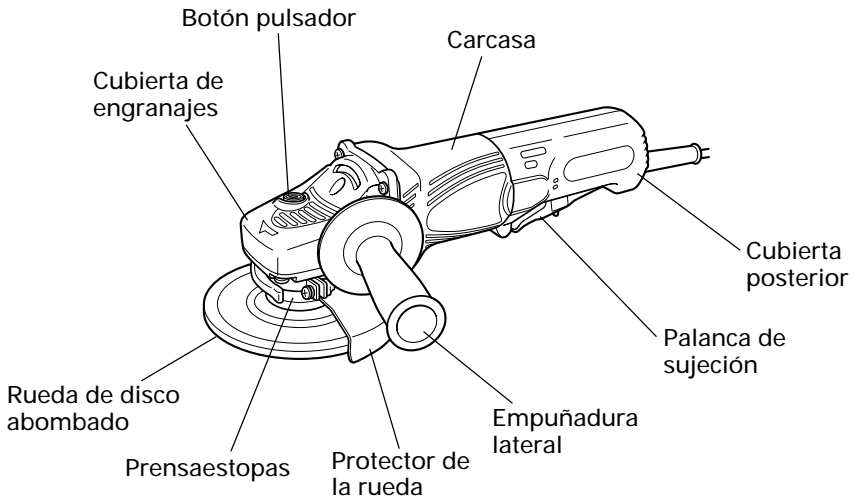


Fig.1

## ESPECIFICACIONES

Modelo	G12SE2	G13SE2
Motor	Motor conmutador en serie monofásico	
Fuente de alimentación	Monofásica 120 V CA, 60 Hz, 120V CC	
Corriente	9,5 A	
Velocidad sin carga	10000/min.	
Tamaño de la rueda:		
Diámetro externo	4-1/2" (115 mm)	5" (125 mm)
Diámetro del orificio	7/8" (22 mm)	7/8" (22 mm)
Peso	4,2 lbs (1,9 kg)	



# MONTAJE Y OPERACIÓN

## APLICACIONES

- Eliminación de rebabas de piezas fundidas y acabado de varios tipos de materiales y piezas fundidas de acero, bronce, y aluminio.
- Amoladura de secciones soldadas o de secciones cortadas con un soplete oxiacetilénico.
- Amoladura de resinas sintéticas, pizarra, ladrillo, y mármol.

**⚠ ADVERTENCIA:** Para evitar el riesgo de lesiones de gravedad, no utilice **NUNCA** esta amoladora con muelas de cubeta y/u hojas de sierra.

## ANTES DE LA OPERACIÓN

1. Fuente de alimentación  
Cerciórese de que la fuente de alimentación que vaya a utilizar cumpla los requisitos indicados en la placa de características del producto.
2. Interruptor de alimentación  
Cerciórese de que el interruptor de alimentación esté en la posición OFF. Si enchufase el cable de alimentación en un tomacorriente de la red con el interruptor en ON, la herramienta eléctrica comenzaría a funcionar inmediatamente, lo que podría provocar lesiones serias.
3. Cable prolongador  
Cuando el área de trabajo esté alejada de la fuente de alimentación, utilice un cable prolongador de suficiente grosor y con la capacidad nominal. El cable prolongador deberá mantenerse lo más corto posible.



**⚠ ADVERTENCIA:**  
Si un cable está dañado deberá reemplazarse o repararse.

4. Comprobación del tomacorriente  
Si el enchufe del cable de alimentación queda flojo en el tomacorriente, habrá que reparar éste. Póngase en contacto con un electricista cualificado para que realice las reparaciones adecuadas.  
Si utilizase un tomacorriente en este estado, podría producirse recalentamiento, lo que supondría un riesgo serio.
5. Comprobación del entorno de trabajo  
Antes de la operación, compruebe lo siguiente:
  - No hay gases, líquidos ni objetos inflamables en el sitio de trabajo.

- La amoladura de una plancha de acero delgada puede producir ruidos retumbantes. Para evitar tales ruidos, coloque una esterilla de goma debajo de la pieza de trabajo.
  - No permita que en el área de trabaja haya niños ni personal no autorizado.
6. Montaje del protector de la rueda

Cerciórese de montar el protector de la rueda con un ángulo que proteja el cuerpo del operador contra lesiones debidas a un trozo de rueda roto.

[Forma de fijar ya ajustar la cubierta protectora de muela] (Fig. 2)

- Coloque el conjunto de la rueda en el prensaestopas.
- Apriete el tornillo M5 para asegurar la cubierta protectora de muela manteniendo la palanca en posición cerrada.
- Realice el ajuste de la cubierta protectora de muela con la palanca liberada. (Afloje el tornillo M5 y reajuste si la cubierta protectora de muela no gira suavemente.)
- Después del ajuste, si necesita utilizar la máquina, hágalo solamente después de haber puesto la palanca en posición de cerrada.
- Lubrique la sección deslizante de la pieza de sujeción (B) y la palanca si ésta no se mueve suavemente.

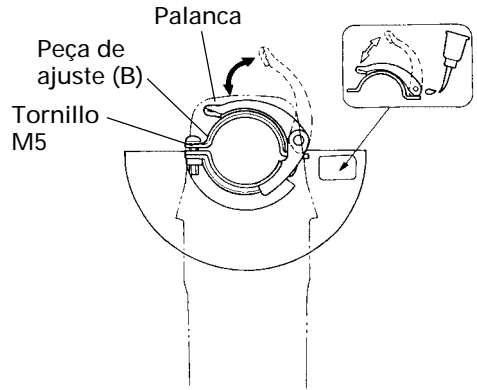


Fig. 2

### **⚠ ADVERTENCIA:**

Si el protector de la rueda no está colocado correctamente, la rueda se podría romper y ocasionar la muerte o lesiones de gravedad.

7. Antes de montar la rueda de disco abombado, inspeccione atentamente para comprobar que se encuentre libre de grietas, hendiduras y otras anomalías. Asegúrese de que haya quedado firmemente fijada y que esté correctamente instalada. En cuanto a las instrucciones sobre el armado y desarmado de la rueda de disco abombado, consulte la página 43 de este manual.
8. Pruebe la amoladora antes de utilizarla.  
Antes de comenzar el trabajo de amoladura, pruebe la amoladora después de haber despejado el área de personal. Cerciórese de que el protector de la rueda esté instalado, y utilice protección para sus ojos. Conecte la alimentación de la amoladora y compruebe si gira suavemente y no muestra anomalías.  
La duración del funcionamiento de prueba es el siguiente:
- Cuando haya reemplazado la rueda de disco abombado ..... 3 minutos o más
  - Cuando comience diariamente el trabajo ..... 1 minuto o más
9. Utilice ruedas de disco abombado de la capacidad apropiada.  
Utilice únicamente ruedas de disco abombado con una capacidad nominal de 13300 RPM o más para G12SE2 y 12000 RPM o más para G13SE2.

La utilización de una rueda de disco abombado de menor capacidad podría conducir a su desintegración durante la operación y a lesiones serias.

#### 10. Compruebe el botón pulsador.

Cerciórese de que el botón pulsador esté desenganchado presionándolo dos o tres veces antes de conectar la alimentación de la amoladora. (Fig. 5)

## OPERACIÓN DE LA AMOLADORA ANGULAR

### 1. Sujete firmemente la amoladora por la empuñadura del cuerpo y la empuñadura lateral (Fig.1).

La amoladora producirá una contrafuerza que habrá que controlar sujetándola firmemente.

### 2. Operación del interruptor

**ON:** Para poner la máquina en funcionamiento, deslice la palanca de bloqueo (A) y después la palanca de sujeción en el sentido de (B) como se muestra en la Fig 3-a. Además, deslice la palanca de bloqueo en el sentido de (C) como se muestra en la Fig.3-b manteniendo presionada la palanca de sujeción para permitir la operación continua.

**OFF:** Para desactivar el modo de bloqueo, presione la palanca de sujeción en el sentido de (B), como se indica en la Fig.3-a, y suéltela a fin de parar la máquina.

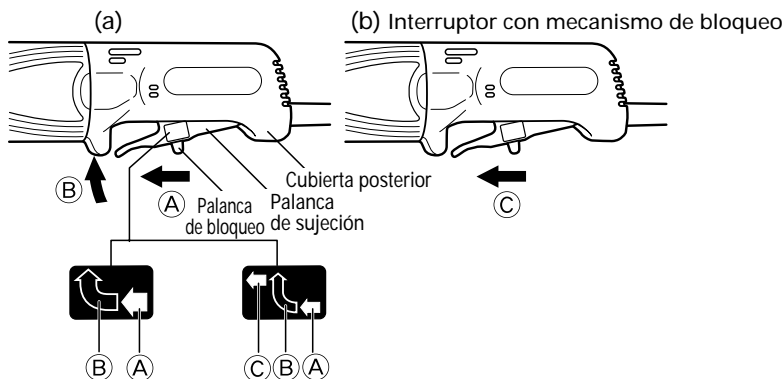


Fig. 3

### 3. Presione con poca fuerza la amoladora.

No es necesario presionar con fuerza para amolar. Normalmente el propio peso de la amoladora será suficiente para permitir el contacto ligero con la superficie requerido para amolar.

**⚠ ADVERTENCIA:** No presione a la fuerza la amoladora contra la superficie que desee amolar. La presión excesiva podría resultar en rotura de la rueda y en lesiones serias. También podría dañar la superficie que esté amolando o el motor de la amoladora.

### 4. Utilice el ángulo de amoladura apropiado.

Realice la operación de amoladura con el borde de la rueda levantando la amoladora de 15 a 30°, como se muestra en la Fig. 4.

**⚠ PRECAUCIÓN:**

- No utilice toda la superficie de la rueda de disco abombado. Use solamente el borde de dicha rueda.

5. Mueva la amoladora en el sentido apropiado.

Cuando utilice una rueda de disco abombado nueva en el sentido A (Fig. 4), el borde de la rueda puede cortar la pieza de trabajo. En este caso, realice la operación de amoladura en el sentido B (Fig. 4).

Cuando se haya gastado el borde de la rueda, la pieza de trabajo podrá amolarse en ambos sentidos.

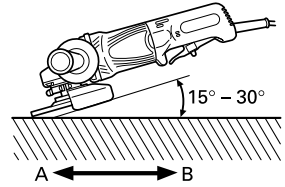


Fig. 4

**NOTA:** La rueda suministrada (rueda resinoide) tiene grano de clase A y tamaño de grano #36. Es la más adecuada para amoladura intensa de acero y otros tipos de materiales.

6. Ajuste la operación de acuerdo con el acabado deseado.

Para realizar un acabado preciso, reduzca la presión levantando ligeramente la amoladora. Realice la operación de amoladura lentamente y con la velocidad apropiada.

**⚠ PRECAUCIÓN:**

- El giro de la rueda de disco abombado creará turbulencia de aire.
- No coloque la amoladora en áreas de polvo o suciedad hasta que se haya parado completamente.

## MONTAJE Y DESMONTAJE DE LA RUEDA DE DISCO ABOMBADO

**⚠ ADVERTENCIA:** No intente nunca armar o desarmar la rueda de disco abombado a menos que el interruptor de alimentación esté en la posición "OFF", y que el cable de alimentación esté desenchufado del tomacorriente.

### 1. Armado

- (1) Dé la vuelta a la amoladora de forma que el eje quede encarado hacia arriba.
- (2) Alinee la distancia entre caras de la arandela de rueda con la parte muescada del husillo, y después fíjelas.
- (3) Fije la parte saliente de la rueda de disco abombado en la arandela de la rueda.
- (4) Atornille la rueda en el eje.
- (5) Presionando el botón pulsador con una mano, bloquee el eje girando lentamente la rueda de disco abombado con la otra mano.

Apriete la tuerca de la rueda utilizando la llave suministrada como se muestra en la Fig. 5.

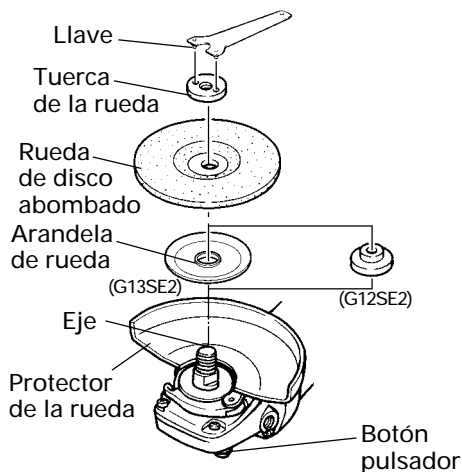


Fig. 5

### ⚠ PRECAUCIÓN:

- Apriete con seguridad la tuerca de la rueda y confirme que no se bambolee.

### 2. Desarmado

Para desmontar la rueda de disco abombado, invierta simplemente el procedimiento indicado arriba.

# MANTENIMIENTO E INSPECCIÓN

- ⚠️ ADVERTENCIA:**
- Antes de realizar el mantenimiento o la inspección de la amoladora, cerciőrese de desconectar la alimentación y de desenchufar el cable de alimentación del tomacorriente.
  - El uso de ruedas agrietadas, deformadas o dañadas puede ocasionar la rotura de la rueda y lesiones de gravedad.

## 1. Reemplazo de la rueda de disco abombado

Reemplace la rueda de disco abombado cuando se haya desgastado hasta aproximadamente 2-3/8" (60 mm) de diámetro externo. Confirme que no haya rajaduras ni daños en la rueda de disco abombado. Si existe una raja o deformación en la rueda de disco abombado, reemplácela inmediatamente.

## 2. Inspección de los tornillos

Inspeccione regularmente todos los tornillos y asegúrese de que estén completamente apretados. Si hay algún tornillo flojo, apriételo inmediatamente.

## ⚠️ ADVERTENCIA:

La utilización de esta amoladora con tornillos flojos es extremadamente peligroso.

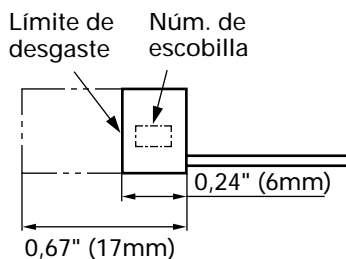
## 3. Confirme que el protector de la rueda, el cable de alimentación, la carcasa, etc. no estén dañados.

Además, confirme que no exista ninguna anomalía al activar el interruptor.

## 4. Inspeccionar los carbones de contacto (Fig. 6)

El motor emplea escobillas de carbón que son partes consumibles. Cuando se gastan o están cerca del "límite de desgaste" pueden causar problemas al motor.

Al equiparse la escobilla de carbón de parada automática, el motor se detendrá automáticamente en ese momento hay que proceder a cambiar ambas escobillas de carbón por la nuevas, que tienen los mismos números de escobillas de carbón como se muestra en la figura. Además siempre hay que mantener las escobillas de carbón limpias y asegurarse de que se muevan libremente en sus portaescobillas.



	No.de escobilla de carbón
Escobilla de carbón usual	88
Escobilla de carbón de parada automática	76

Fig. 6

## ⚠️ PRECAUCIÓN:

- La utilización de esa amoladora con escobillas desgastadas más allá del límite dañará el motor.

**NOTA:** Utilice las escobillas HITACHI Núm. 76 o 88 indicadas en la Fig. 6.

○ Reemplazo de las escobillas (Fig. 7)

<Desmontaje>

- (1) Afloje el tornillo autorroscante D4 que sujeta la cubierta de la cola y desmonte ésta.
- (2) Emplee la llave macho hexagonal auxiliar o un pequeño destornillador para tirar del borde del resorte helicoidal que empuja hacia abajo el carbón de contacto extraiga el dorde del resorte hacia afuera el soporte del carbón de contacto.

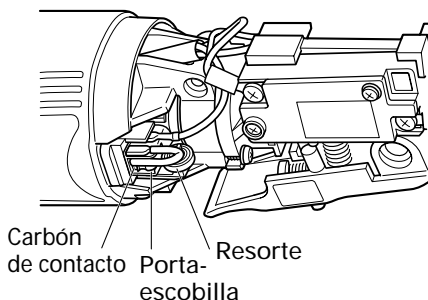


Fig. 7

- (3) Extraiga la sección del soporte carbón de contacto en la sección del terminal del soporte del carbón de contacto y después extraiga el carbón de contacto de su soporte.

<Montaje>

- (1) Insert el extremo del conductor helicoidal del carbón de contacto en la sección del terminal del soporte del carbón de contacto.
- (2) Insert el carbón de contacto en el soporte del mismo.
- (3) Emplee la llave macho hexagonal auxiliar o un pequeño destornillador para devolver el borde del resorte helicoidal hasta la cabeza del carbón de contacto.
- (4) Cierre la cubierta de la cola y apriete el tornillo autorroscante D4.

5. Mantenimiento y reparación

Todas las herramientas eléctricas de calidad requieren de vez en cuando el servicio de mantenimiento o el reemplazo de piezas debido al desgaste producido durante la utilización normal. Para asegurarse de que solamente se utilicen piezas de reemplazo autorizadas, todos los servicios de mantenimiento y reparación deberán realizarse SOLAMENTE EN UN CENTRO DE REPARACIONES AUTORIZADO POR HITACHI.

6. Lista de repuestos

**⚠ PRECAUCIÓN:**

**La reparación, modificación e inspección de las herramientas eléctricas Hitachi deben ser realizadas por un Centro de Servicio Autorizado de Hitachi.**

**Esta lista de repuestos será de utilidad si es presentada junto con la herramienta al Centro de Servicio Autorizado de Hitachi, para solicitar la reparación o cualquier otro tipo de mantenimiento.**

**En el manejo y el mantenimiento de las herramientas eléctricas, se deberán observar las normas y reglamentos vigentes en cada país.**

**MODIFICACIONES:**

Hitachi Power Tools introduce constantemente mejoras y modificaciones para incorporar los últimos avances tecnológicos.

Por consiguiente, algunas partes (por ejemplo, números de códigos y/o diseño) pueden ser modificadas sin previo aviso.

# ACCESORIOS

- ⚠ ADVERTENCIA:** No utilice nunca ningún accesorio distinto de los mencionados más abajo.  
La utilización de cualquier otro accesorio distinto de los mencionados más abajo o no previstos para el uso, como una rueda de copa, una rueda de corte o una hoja de sierra, podría resultar peligroso y causar lesiones o daños materiales.

**NOTA:** Los accesorios están sujetos a cambio sin ninguna obligación por parte de HITACHI.

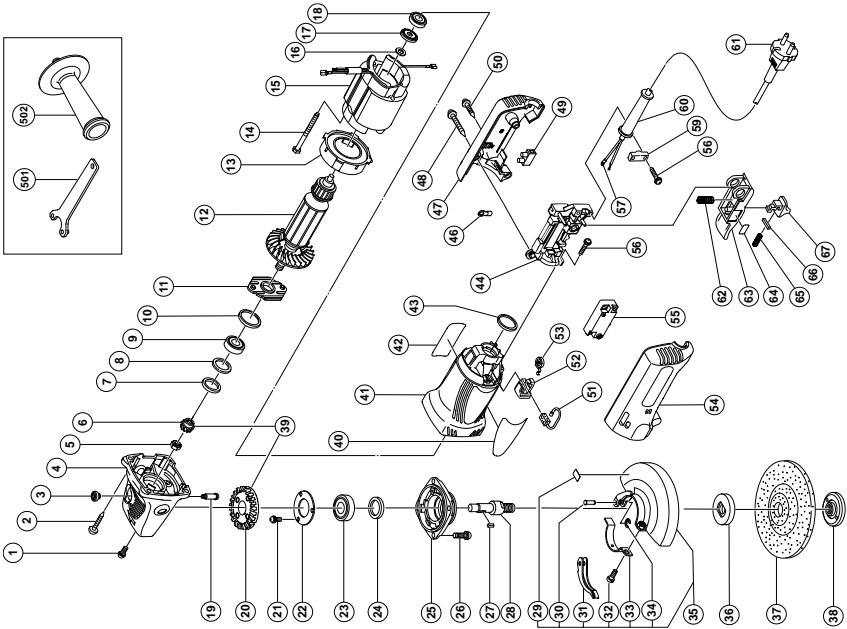
## ACCESORIOS ESTÁNDAR

- Rueda de disco abombado ..... 1  
4-1/2" (115 mm) de dia. externo × 1/4" (6 mm) de grosor × 7/8" (22 mm) de diá. de orificio  
(Núm. de código 701045 ó 326203) ..... G12SE2
- 5" (125mm) de dia. externo × 1/4" (6 mm) de grosor × 7/8" (22 mm) de diá. de orificio  
(Núm. de código 701050 ó 326205) ..... G13SE2
- Llave (Núm. de código 938332Z) ..... 1
- Empuñadura lateral (Núm. de código 956633) ..... 1

**NOTA:** Las especificaciones están sujetas a cambio sin ninguna obligación por parte de HITACHI.



# G12SE2



A	B	C	D
35	311-745	1	"29 - 34"
36	937-923Z	1	
37	316-821	1	115MM A36Q
38	937-923P	1	M14
39	321-735	1	"6, 20"
40	_____	1	
41	321-731	1	
42	_____	1	
43	321-733	1	
44	311-738	1	
46	980-063	1	
47	321-739	1	
48	303-694	2	D4x35
49	938-307	1	
50	301-653	1	D4x20
51	999-088	1	
51	999-076	1	
52	317-810	2	
53	308-536	2	
54	321-738	1	
55	311-740	1	
56	984-750	3	D4x16
57	980-063	1	
59	960-266	1	
60	953-327	1	D8.8
61	500-249Z	1	
62	983-595	1	
63	308-554	1	
64	308-557	1	
65	301-631	1	
66	982-696	1	3x3x15
67	308-555	1	
501	938-332Z	1	
502	994-322	1	

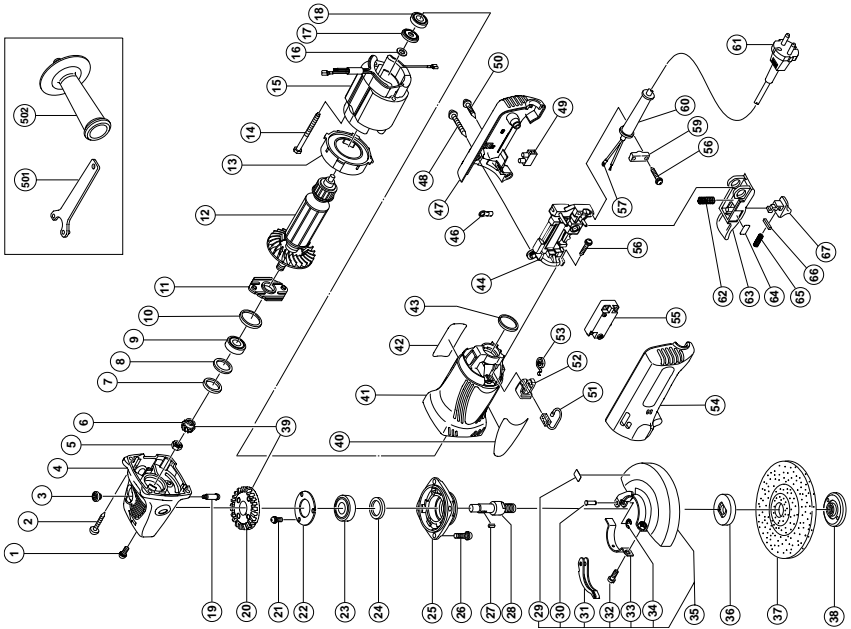
A	B	C	D
1	303-255	2	M4x10
2	320-523	4	D5x25
3	301-944	1	
4	321-737	1	"3, 19"
5	949-558	1	M8
6	308-541	1	
7	308-543	1	
8	980-866	1	
9	629-T12	1	629T12DDC3PS2-L
10	957-754	1	
11	321-734	1	
12	360-603U	1	120V
13	321-732	1	
14	982-021	2	D4x70
15	340-551D	1	120V
16	311-737	1	
17	311-435	1	
18	608-VVM	1	608VVC2PS2L
19	301-943	1	
20	321-736	1	
21	991-207	3	M4x8
22	936-680	1	
23	620-1DD	1	6201DDCmps2L
24	308-546	1	
25	308-545	1	
26	307-046	4	M5x16
27	944-109	1	3x3x8
28	994-302	1	
29	311-492	1	
30	311-744	1	
31	311-743	1	
32	880-734	1	M5x25
33	311-491	1	
34	874-759	1	

**Español**  
A: N.º ítem  
B: N.º código  
C: N.º usado  
D: Observaciones

**Français**  
A: No. élément  
B: No. code  
C: No. utilisé  
D: Remarques

**English**  
A: Item No.  
B: Code No.  
C: No. Used  
D: Remarks

**G13SEZ**



A	B	C	D
35	311-742	1	"29 - 34"
36	937-922P	1	
37	316-822	1	125MM A36Q
38	937-923P	1	
39	321-735	1	"6, 20"
40	_____	1	
41	321-731	1	
42	_____	1	
43	321-733	1	
44	311-738	1	
46	980-063	1	
47	321-739	1	
48	303-694	2	D4x35
49	938-307	1	
50	301-653	1	D4x20
51	999-088	1	
51 2	999-076	1	
52	317-810	2	
53	308-536	2	
54	321-738	1	
55	311-740	1	
56	984-750	3	D4x16
57	980-063	1	
59	960-266	1	
60	953-327	1	D8.8
61	500-249Z	1	
62	983-595	1	
63	308-554	1	
64	308-557	1	
65	301-631	1	
66	982-696	1	3x3x15
67	308-555	1	
501	938-332Z	1	
502	994-322	1	

A	B	C	D
1	303-255	2	M4x10
2	320-523	4	D5x25
3	301-944	1	
4	321-737	1	"3, 19"
5	949-558	1	M8
6	308-541	1	
7	308-543	1	
8	980-866	1	
9	629-T12	1	629T12DDC3PS2-L
10	957-754	1	
11	321-734	1	
12	360-603U	1	120V
13	321-732	1	
14	982-021	2	D4x70
15	340-551D	1	120V
16	311-737	1	
17	311-435	1	
18	608-VVM	1	608VVC2PS2L
19	301-943	1	
20	321-736	1	
21	991-207	3	M4x8
22	936-680	1	
23	620-1DD	1	6201DDC MPS2L
24	308-546	1	
25	308-545	1	
26	307-046	4	M5x16
27	944-109	1	3x3x8
28	994-302	1	
29	311-492	1	
30	311-744	1	
31	311-743	1	
32	880-734	1	M5x25
33	311-491	1	
34	874-759	1	

**Español**  
 A: N.º ítem  
 B: N.º código  
 C: N.º usado  
 D: Observaciones

**Français**  
 A: No. élément  
 B: No. code  
 C: No. utilisé  
 D: Remarques

**English**  
 A: Item No.  
 B: Code No.  
 C: No. Used  
 D: Remarks



## **WARNING:**

Some dust created by power sanding, sawing, grinding, drilling, and other construction activities contains chemicals known to the State of California to cause cancer, birth defects or other reproductive harm. Some examples of these chemicals are:

- Lead from lead-based paints,
- Crystalline silica from bricks and cement and other masonry products, and
- Arsenic and chromium from chemically-treated lumber.

Your risk from these exposures varies, depending on how often you do this type of work. To reduce your exposure to these chemicals: work in a well ventilated area, and work with approved safety equipment, such as those dust masks that are specially designed to filter out microscopic particles.

## **AVERTISSEMENT:**

La poussière résultant d'un ponçage, d'un sciage, d'un meulage, d'un perçage ou de toute autre activité de construction renferme des produits chimiques qui sont connus par l'Etat de Californie pour causer des cancers, des défauts de naissance et autres anomalies de reproduction. Nous énumérons ci-dessus certains de ces produits chimiques:

- Plomb des peintres à base de plomb,
- Silice cristalline des briques et du ciment et autres matériaux de maçonnerie, et
- Arsenic et chrome du bois d'oeuvre traité chimiquement.

Le risque d'exposition à ces substances varie en fonction de la fréquence d'exécution de ce genre de travail. Pour réduire l'exposition à ces produits chimiques, travailler dans un lieu bien ventilé, et porter un équipement de protection agréé, par exemple un masque anti-poussière spécialement conçu pour filter les particules microscopiques.

## **ADVERTENCIA:**

A algunos polvos creados por el lijado mecánico, el aserrado, el esmerilado, el taladrado y otras actividades de construcción contienen sustancias químicas conocidas por le Estado de California como agentes cancerígenos, defectos congénitos y otros daños reproductores. Algunos ejemplos de estas sustancias químicas son:

- El plomo de las pinturas a base de plomo,
- El sílice cristalino de los ladrillos y cemento y otros productos de mampostería, y
- El arsénico y el cromo de la madera tratada químicamente.

El riesgo resultante de la exposición varía según la frecuencia con que se realiza este tipo de trabajo. Para reducir la exposición a esta sustancias químicas: trabaje en un lugar bien ventilado y realice el trabajo utilizando el equipamiento apropiado, tal como las máscaras para el polvo especialmente diseñados para eliminar las partículas minúsculas.

Issued by



**Hitachi Koki Co., Ltd.**

Sinagawa Intercity Tower A, 15-1, Konan 2-chome,  
Minato-ku, Tokyo 108-6020, Japan

Distributed by



**Hitachi Koki U.S.A., Ltd.**

3950 Steve Reynolds Blvd.  
Norcross, GA 30093



**Hitachi Koki Canada Co.**

6395 Kestrel Road  
Mississauga ON L5T 1Z5

609

Code No. C99119463

Printed in Malaysia