

WSG 12-125 / WSG 12-150



Angle Grinder



SERVICE

Tool service and maintenance must be performed only by qualified repair personnel.

When servicing a tool, only use identical replacement parts available from FEIN.

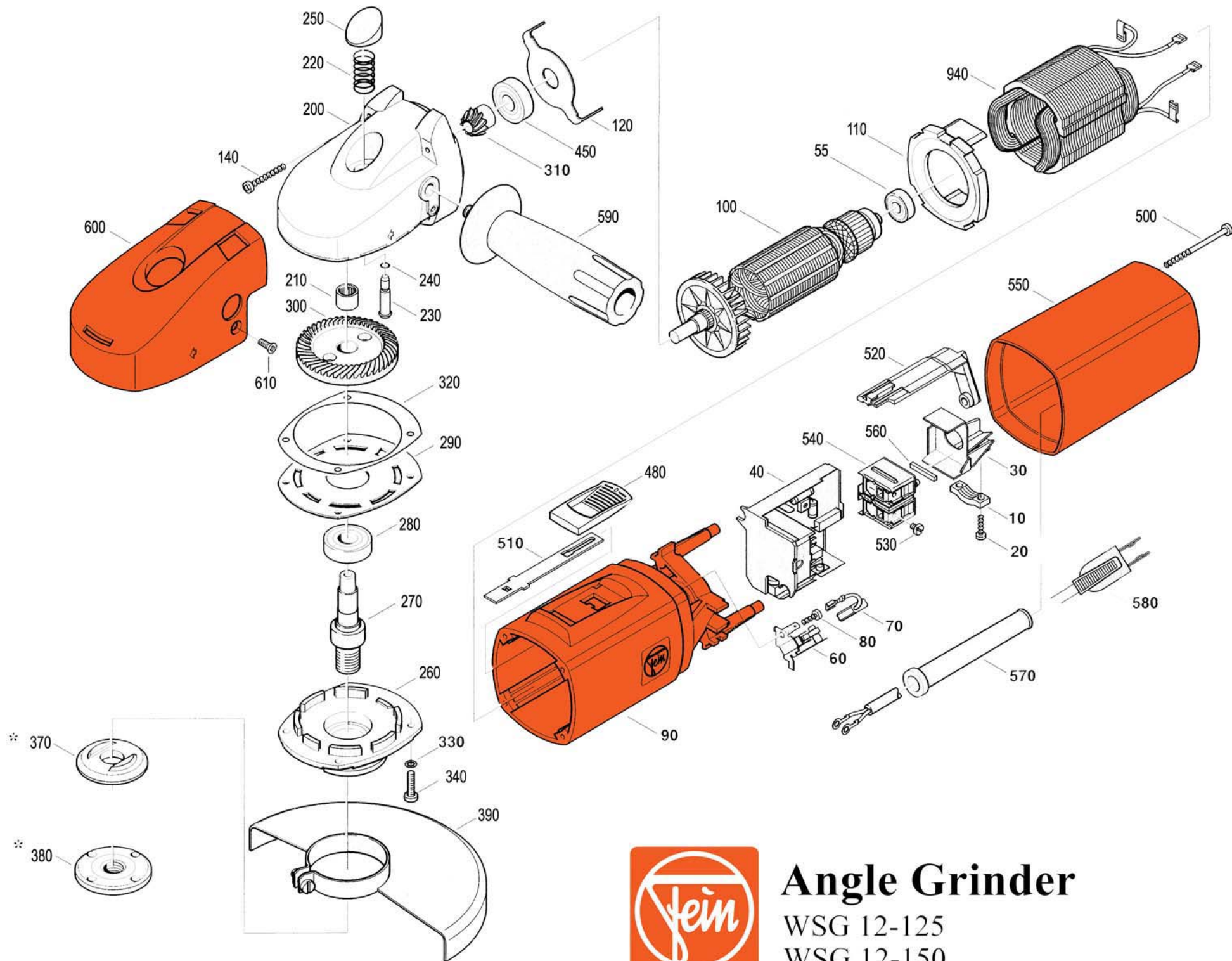
Repairs on FEIN Power Tools required the use of special tools (pulling devices and bearing press). Authorized repair centers have trained repair technicians and equipment necessary to perform these repairs. Service or repairs performed by unqualified persons could result in operator injury.

For the location of the repair center near you, please call 1-800-441-9878. Monday thru Friday, 9AM to 5PM EST. Or, look on our web site at www.feinus.com and follow the link to "Authorized Warranty Repair Centers"

**FEIN Power Tools
1030 Alcon Street
Pittsburgh, PA 15220**

Phone: 412-922-8886 Fax: 412-922-8767 Toll Free: 1-800-441-9878

November 24, 2003



* Included with tool



Angle Grinder

WSG 12-125

WSG 12-150

FEIN Power Tools

WSG 12-125/WSG 12-150 Parts List

<u>Item</u>	<u>Item Number</u>	<u>Description</u>	<u>Reqd</u>	
10	3-24-31-021-00-7	CLAMP CLAMPING PIECE	1	_____
20	4-30-70-001-00-6	SCREW	2	_____
30	3-24-31-040-00-6	STRAIN RELIEF	1	_____
40	3-07-62-216-99-6	ELECTRONIC (110V)	1	_____
50	4-17-01-001-17-2	BALL BEARING	1	_____
60	3-07-12-088-01-3	BRUSH HOLDER	2	_____
70	3-07-11-132-00-3	CARBON BRUSH	2	_____
80	4-30-70-018-00-9	SCREW	2	_____
90	3-19-01-114-01-4	MOTOR HOUSING	1	_____
100	5-3-273-001-11-7	ARMATURE (110V)	1	_____
110	3-14-28-118-00-7	AIR CONDUCTING RING	1	_____
120	3-24-16-098-00-5	COVER PLATE	1	_____
140	4-30-70-007-00-2	SCREW	4	_____
200,210	3-12-06-110-01-5	GEAR HOUSING	1	_____
210	4-17-05-019-00-1	NEEDLE BEARING	1	_____
220	3-09-01-032-00-3	SPRING	1	_____
230	3-02-17-327-00-3	RETENTION PIN	1	_____
240	4-06-12-137-00-8	SEALING RING	1	_____
250	3-28-05-185-00-2	RETENTION BUTTON	1	_____
260	3-24-19-115-00-6	BEARING PLATE	1	_____
270	3-34-06-285-00-3	DRIVE SHAFT (5/8 X 11)	1	_____
280	4-17-01-010-05-4	BALL BEARING	1	_____
290	3-24-16-101-00-9	COVER PLATE	1	_____
300,310	3-38-09-229-01-2	BEVEL GEAR (9/44T)	1	_____
320	3-26-24-117-00-9	WASHER	1	_____
330	4-24-43-003-04-3	SECURING DISC	4	_____
340	4-30-41-023-04-6	SCREW	4	_____
370	6-38-01-095-00-8	WHEEL FLANGE (INNER)	1	_____
380	6-38-02-098-00-7	WHEEL FLANGE (OUTER)	1	_____
450	4-17-01-007-03-8	BALL BEARING	1	_____
480	3-28-05-156-00-8	SLIDING SWITCH	1	_____
490	5-1-273-001-11-5	FIELD COIL (110V)	1	_____
500	4-30-70-017-00-1	SCREW	2	_____
510	3-28-16-055-00-0	SWITCH BAR	1	_____
520	3-28-16-052-00-4	SWITCH ROD	1	_____
530	4-30-03-013-99-1	SCREW	2	_____
540	3-07-01-218-00-3	ON/OFF SWITCH	1	_____
550	3-12-01-100-00-9	COVER	1	_____
560	3-14-15-082-00-4	BOLSTER	1	_____
570	3-14-13-007-00-7	PROTECTIVE SLEEVE	1	_____
580	3-07-05-035-01-3	CABLE	1	_____
600	3-14-28-125-00-1	HOOD	1	_____
610	4-30-64-020-04-9	SCREW	2	_____
Accessories				
590	3-21-19-107-01-6	SIDE HANDLE	1	_____
390	3-18-10-241-01-3	5" GUARD	1	_____
	3-18-10-243-01-0	6" GUARD	1	_____