

# H-510 PLUS

# H-512 PLUS

MULTISTANDARD PROGRAMMABLE  
27MHz CB HANDHELD TRANSCEIVERS

OWNER'S MANUAL  
MANUALE DI ISTRUZIONI



**INTEK**®

# Index - Introduction - Content of the Package

Index - Introduction - Content of the package .....	1
Controls, indicators and operation .....	2 - 5
Battery operation .....	6
Car adaptor operation .....	7
Frequency bands table H-510 PLUS .....	8
Frequency bands table H-512 PLUS - User Information .....	9
Frequency band selection / programming .....	10
Table of restrictions on the use of CB transceivers .....	10
Specifications - Optional Accessories .....	11
Table of restrictions on the use of CB transceivers .....	I
PCB - Main Board .....	II - III
Diagram .....	IV - V
Block Diagram .....	VI-VII
Declaration of Conformity H-510 PLUS .....	VIII
Declaration of Conformity H-512 PLUS .....	IX

## NOTICE !

Before using this transceiver, please check that the radio has been programmed on the frequency band, specifications and operating modes allowed by the regulations valid in the country where the product is used. If not, please proceed to modify the frequency band programming, as it is described in this owner's manual. This transceiver is factory pre-programmed on the CE European frequency band CEPT 40CH FM 4W (H-512 PLUS) or on the E1 band 40CH AM 4W (H-510 PLUS).

It is recommended to carefully read this owner's manual before using the product. This will also help the user to prevent using the radio in violation of the regulations valid in the country where the product is used, as well as to avoid any possible interferences with other services.

## Congratulations!

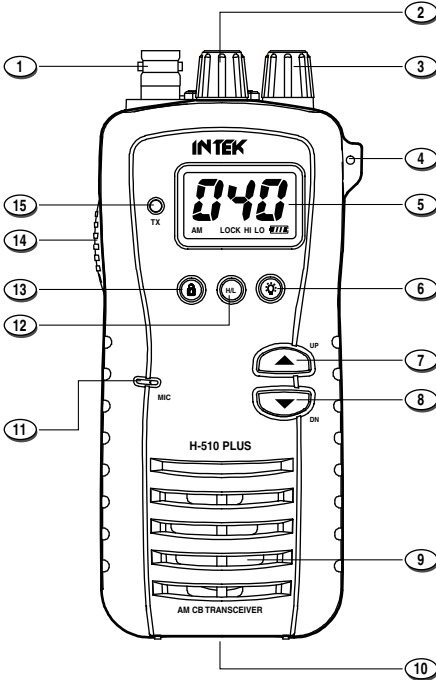
Congratulations for selecting and purchasing an INTEK quality product. This transceiver includes a number of advanced functions and systems, therefore it is definitely necessary to carefully read this owner's manual before using the radio. With a correct use of the product in accordance with the operating method described in this manual, the product will offer a trouble free use for many years. INTEK is constantly engaged to develop and provide quality products meeting the customers requirements, however any suggestion or comments on this product that might help us to improve quality are warmly welcome. This transceiver has advanced hardware and software design, it includes a special multi-standard programmable circuit, which allows to program the specifications of the radio (frequency bands, operating modes, transmitter power) in compliance with the regulations valid in the various European countries. Therefore this product can be used in any country of the European Community. Using this two-way radio is quite easy and only a few minutes are required to get familiar with it. The operating method and design are the results of years of experience in the development and production of RF communication equipment, for personal an professional use. However it is strongly recommended to carefully read this manual in order to get the maximum performances from your transceiver.

## Content of the Package

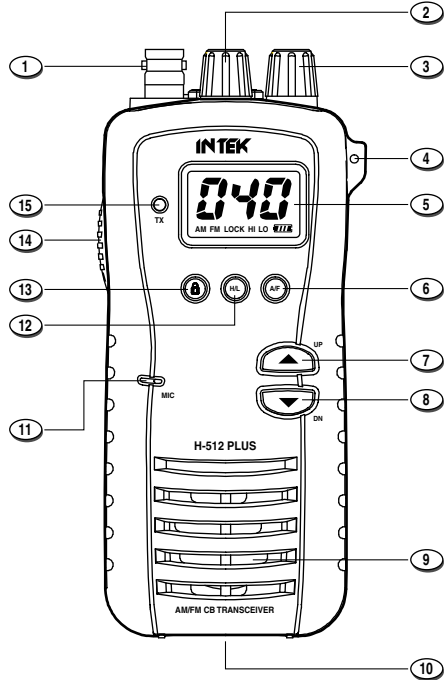
Please carefully check that all the following items are contained in the packaging :

- Transceiver
- Rubber antenna
- Belt clip with mounting hardware
- Carrying strap
- User manual

## Front Panel



**H-510 PLUS**



**H-512 PLUS**

### 1. Antenna Connector

Connect the supplied rubber antenna to this BNC connector, insert and gently turn it clockwise until blocked. Do not overtighten. **If the antenna is not or not correctly connected, damage may be caused to the radio.**

### 2. SQ/SQL Control

SQL CONTROL (SQUELCH manual adjustment)

The SQL control allows to silent the receiver by cutting the background noise, when no signals are received. Turn the knob clockwise until the background noise is cut. Turn the knob counter clockwise (SQUELCH opening) in order to listen to the weakest signals.

SQ CONTROL (SQUELCH fixed setting)

The SQ function allows to automatically silent the receiver, avoiding the SQUELCH manual adjustment. A fixed SQUELCH threshold is factory pre-set. To enable the fixed SQUELCH function, turn the knob fully counter clockwise to the SQ position, until a click noise is heard.

### 3. VOL (OFF/Volume) Control

This knob switches the radio ON and OFF and it adjusts the volume control. If no signals are being received on the operating channel, it is suggested to open the SQUELCH and adjust the volume to the desired level while listening to the background noise.

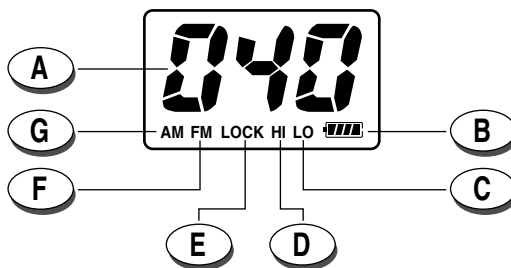
### 4. Handstrap Hole

Hole to insert and attach the supplied carrying handstrap.

### 5. LCD Display

Large size LCD display with green color backlight function for best readability in darkness. It indicates simultaneously all the programmed settings and all the enabled functions, such as the operating channel number, the operating mode and 4-bar battery level indicator.

## LCD Display



#### A. Channel Number

It indicates the operating channel number or the frequency band ID code.

#### B. Battery Level Indicator

It shows the current battery level condition.

#### C. LO Icon

The LO icon (C) is lighted when the transmitter is in LOW POWER mode (1W).

#### D. Icona HI

The HI icon (D) is lighted when the transmitter is in HIGH POWER mode (4W).

#### E. LOCK Icon

The LOCK icon (E) is lighted when the keypad lock function has been enabled.

#### F. FM Icon (H-512 PLUS)

The FM icon (F) is lighted when radio has been set to the FM (Frequency Modulation) operating mode.

#### G. AM Icon

The AM icon is lighted when radio has been set to the AM (Amplitude Modulation) operating mode.

## 6. LIGHT Key (H-510 PLUS)

Press the LIGHT (6) key to backlight the LCD display, press the key again to switch OFF backlight.

## A/F (AM/FM) Key (H-512 PLUS)

Use the AF key to select the AM or FM operating mode in both RX and TX. The AM/FM operating mode selection is possible only if it is allowed by the programmed frequency band, otherwise the AM/FM selection is not possible.

## 7. UP (QUICK UP) Key

Shortly press the UP (9) key to increase the channel number by one channel up at every key press. By keeping this key pressed, the quick channel selection mode will be enabled.

## 8. DN (QUICK DN) Key

Shortly press the DN (8) key to decrease the channel number by one channel down at every key press. By keeping this key pressed, the quick channel selection mode will be enabled.

## 9. Built-in Speaker

Built-in front speaker.

## 10. Car Adaptor Contacts

Car adaptor contacts and fixing screw.

## 11. Built-in Microphone

Built-in microphone.

## 12. H/L Key

The transmitter RF output power is selectable in 2 levels (1.0W or 4.0W). This function is very convenient to reduce the current drain and extend battery life when communicating within short distance. The 4W RF output power level is available only if it is allowed by the programmed frequency band. Press H/L (12) key to select the transmitter RF output power HI (High Power 4W) or LO (Low Power 1W). The HI (D) or LO (C) icons will appear on the LCD Display (5).

## 13. LOCK / Keypad Tone Key

LOCK

Press the LOCK (13) key for a few seconds to enable the keypad LOCK function. Press the key again to disable.

KEYPAD PROGRAM TONE

When a key is pressed, a beep tone is heard to confirm your command. To enable or disable this keypad program tone press and keep pressed the LOCK (13) key while switching ON radio, by turning the VOL (3) control clockwise.

## 14. PTT (Push-To-Talk) Key

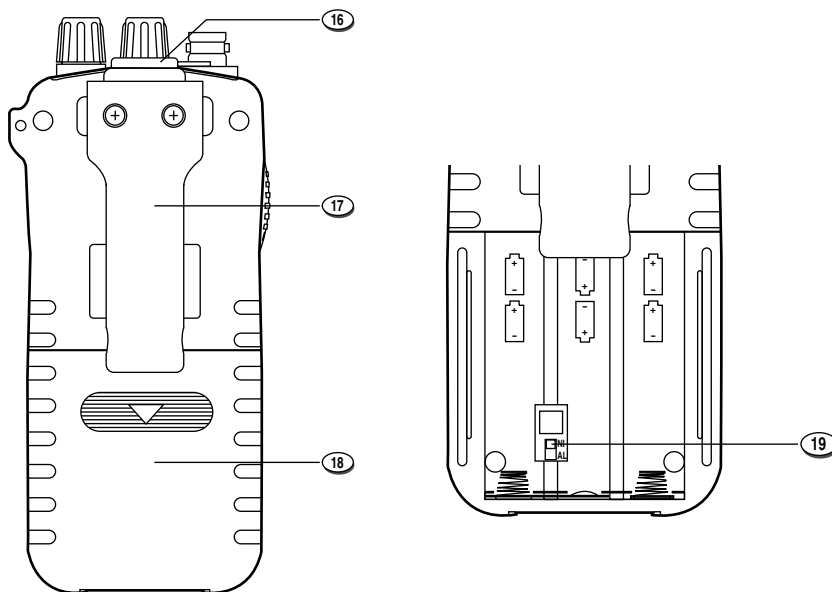
Press the PTT (14) key to transmit and hold it during transmission. The TX LED indicator (15) will be lighted during transmission. Release the key at the end of your transmission to return to the receive mode.

**WARNING ! Do not touch the antenna during transmission.**

## 15. TX LED

This red color LED indicator (15) lights up when radio is in transmit mode.

## Rear Panel



### 16. Earset-Microphone-Charge Jack

Connect an external earset-microphone to this jack. Connect the 230VAC battery travel charger (AC-520) to this jack.

#### **WARNING !**

Use only original accessories. Connecting and using accessories other than the original ones, may cause serious damage to the radio and will void the warranty.

Always set the volume to minimum before connecting an external earset, in order to avoid damaging the earset or the user's ear.

### 17. Belt Clip

### 18. Battery Door

Open this cover (18) to install or remove batteries.

### 19. Battery Type Selector

The battery type selector (18) is located inside the battery room. Set the switch (19) to **Ni** if rechargeable batteries are used. Set the switch (19) to **AL** if alkaline batteries are used.

## **WARNING !**

Do never try to open the cabinet of the radio. No user serviceable parts are inside the cabinet. Tampering or modifying the circuit of the radio or its original factory adjustment may cause damage to the product, may change the electrical specifications and will void the warranty. If service is required, please refer only to a qualified and authorized service center.

## Installing and Checking Batteries

Slide down and remove the battery door (18) to access the battery room. Set the battery type switch (19) according to the type of used batteries (**Ni** for rechargeable batteries and **AL** for alkaline batteries). Install 6 x AA size alkaline batteries or rechargeable batteries and pay attention to install it with the correct polarity as indicated in the battery room. Switch ON radio by turning the OFF/VOL (3) control and check the battery level on the battery level indicator (B), 4 bars mean full charge, 3 bars mean normal charge, 2 bars mean half charge and 1 bar means low battery condition. If no bars appear, batteries must be immediately replaced or recharged. Please refer to the following item BATTERY CHARGING.

## Battery Charging

If the battery level indicator (B) shows a low battery condition, switch OFF the radio and connect the battery travel charger mod. AC-520 to the CHARGE jack (16), then plug it into the 230VAC outlet. To obtain the maximum performance from the batteries, recharge them only when they are fully discharged. The charging time depends on the capacity of the used batteries, it is approximately 12 hours for one set of Ni-MH batteries (1200-1500mAh). When the charging time has expired, unplug the charger from the AC outlet and then disconnect it from the radio.

### WARNING !

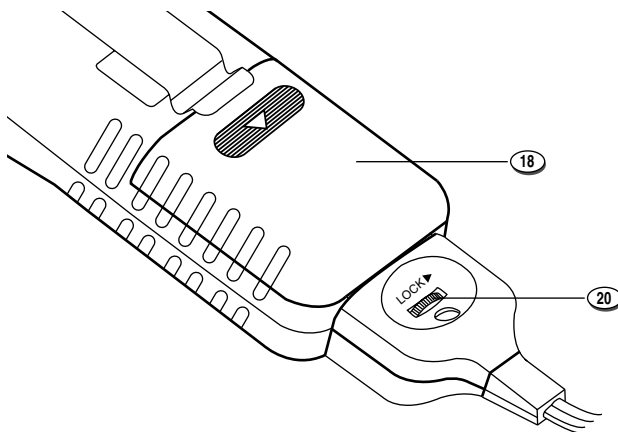
1. **Only the Ni-MH (or Ni-CD) batteries may be recharged.**
2. **Do never try to recharge alkaline batteries, as this might cause damage to the radio or explosion of the batteries.**
3. **Set the battery type selector (19) to Ni.**
4. **Always switch OFF radio before starting the battery charging process.**
5. **Do not recharge batteries for more than 13-14 hours, in order to avoid overcharge or overheating, which could cause damage to the radio.**
6. **Use only the enclosed battery charger or original INTEK battery chargers.**

## Car Adaptor Operation

### Operation of the Car Adaptor (CAR-520)

This handheld radio can be turned into a mobile transceiver by connecting the Car Adaptor CAR-520. The Car Adaptor will supply a regulated DC power to the radio, directly from the car cigarette lighter plug as well as the connection for an external antenna. Install the Car Adaptor as follows :

1. Remove the rubber antenna from the radio.
2. Connect the Car Adaptor to the radio, as showed in the below picture.
3. Lock the Car Adaptor to the radio by turning the knob (20) in the LOCK direction as indicated by the arrow. Do not overtighten this screw.
4. Connect the cigarette lighter adaptor into the cigarette lighter plug in the vehicle (12VDC).
5. Connect an external antenna to the SO-239 antenna connector of the Car Adaptor.





## Frequency Bands Table H-510 PLUS

### Frequency Bands Table H-510 PLUS

The INTEK H-510 PLUS transceiver includes an advanced multi-standard programmable circuit design, which allows to program the radio in accordance with the frequency band, operating modes, transmitter RF output power in full compliance with the local regulations of the country where the radio will be used. A total of 5 programmable frequency bands are available, as per the following table :

<b>FREQUENCY BAND ID CODE</b>	<b>COUNTRY</b>	<b>SPECIFICATIONS (Channels, Operating Modes, TX Power)</b>
<b>E1</b>	<b>ITALY/SPAIN</b>	<b>40CH AM</b>
<b>I2</b>	<b>ITALY</b>	<b>36CH AM</b>
<b>DE</b>	<b>GERMANY</b>	<b>12CH AM 1W</b>
<b>EU</b>	<b>EUROPE/FRANCE</b>	<b>40CH AM 1W</b>
<b>PL</b>	<b>POLAND</b>	<b>40CH AM POLISH FREQUENCIES</b>

**WARNING !** The radio has been factory pre-programmed on the **E1 (40CH AM 4W)** frequency band, as this standard is currently accepted by some countries (Italy and Spain). Please refer to the information table at page I (Restrictions on the use of CB transceivers).

# Frequency Bands Table H-512 PLUS - User Information

## Frequency Bands Table H-512 PLUS

The INTEK H-512 PLUS transceiver includes an advanced multi-standard programmable circuit design, which allows to program the radio in accordance with the frequency band, operating modes, transmitter RF output power in full compliance with the local regulations of the country where the radio will be used. A total of 8 programmable frequency bands are available, as per the following table :

FREQUENCY BAND ID CODE	COUNTRY	SPECIFICATIONS (Channels, Operating Modes, TX Power)
E1	ITALY/SPAIN	40CH AM / FM 4W
I2	ITALY	36CH AM / FM 4W
DE	GERMANY	80CH FM 4W - 12CH AM 1W
D2	GERMANY	40CH FM 4W - 12CH AM 1W
EU	EUROPE/FRANCE	40CH FM 4W - 40CH AM 1W
CE	CEPT	40CH FM 4W
U	UK	40CH FM 4W UK FREQUENCIES 40CH FM 4W CEPT FREQUENCIES
PL	POLAND	40CH AM / FM 4W POLISH FREQUENCIES

**WARNING !** The radio has been factory pre-programmed on the **CE (CEPT 40CH FM 4W)** frequency band, as this standard is currently accepted by all the European countries. Please refer to the information table at page I (Restrictions on the use of CB transceivers).

## User Information

in accordance with art. 13 of the Legislative Decree of 25th July 2005, no. 15 "Implementation of Directives 2002/95/EC, 2002/96/EC and 2003/108/EC, relative to reduction of the use of hazardous substances in electrical and electronic equipment, in addition to waste disposal".



The crossed bin symbol shown on the equipment indicates that at the end of its working life the product must be collected separately from other waste.

The user must therefore take the above equipment to the appropriate differentiated collection centres for electronic and electro technical waste, or return it to the dealer when purchasing a new appliance of equivalent type, in a ratio of one to one.

Appropriate differentiated waste collection for subsequent recycling, treatment and environment-friendly disposal of the discarded equipment helps to prevent possible negative environmental and health effects and encourages recycling of the component materials of the equipment.

Illegal disposal of the product by the user will be punished by application of the administrative fines provided for by the legislative decree no. 22/1997 (article 50 and following of the legislative decree no. 22/1997).

## Frequency Band Selection / Programming

The radio must be programmed and used exclusively on the frequency band allowed by the regulations of the country where the radio will be used. In order to program the frequency band, please refer to the following instructions :

1. Turn OFF radio.
2. Press and keep pressed the PTT (14) key while switching ON radio, by turning the OFF/VOL (3) control clockwise.
3. The current programmed frequency band ID code (A) appears on the LCD.
4. Using the UP (7) or DN (8) keys, select a new frequency band ID code.
5. Shortly press the PTT (14) key to confirm and store.

### UK/CE CHANNELS SELECTION (FREQUENCY BAND "U") (H-512 PLUS)

If the frequency band "U" (UK band) has been selected, all channels can be scrolled using the channel keys. When a UK frequency channel will be selected the display (5) will show the channel number and the indication "U". When a CEPT frequency channel will be selected the display (5) will show the channel number and the indication "C".

### Table of Restrictions on the Use of CB Transceivers (page 1)

The following information are to be considered only just as an indication. They are believed to be correct at the time of printing this operating manual. It is however the user's responsibility to check that, in the country where radio is used, the regulations for the use of CB transceivers have not been modified. User is therefore suggested to contact the local dealer or local authority, in order to check the current regulations for the use of CB transceivers, before operating this product. The manufacturer does not take any responsibility if the product is used in violation of the regulations of the country where the product is used.

### Addendum (Updated information on national restrictions)

#### BELGIUM, UK, SPAIN, SWITZERLAND

In order to use this transceiver in Belgium, UK, Spain and Switzerland, residence must have an individual licence. Users coming from abroad may freely use the radio in FM mode, while in order to use it in AM mode they must hold a licence released in their own country.

#### ITALY

Foreigners arriving in Italy must get an Italian authorization.

#### AUSTRIA

Austria does not allow using multi standard programmable CB radios. It is recommended to carefully follow this directives and not to use the product in the Austrian territory.

#### GERMANY

Along some border areas in Germany, the radio can not be used as a base station from channel 41 to channel 80. Refer to local authority (notification office) for details.

# Specifications - Optional Accessories

## Specifications

### General

Channels	Refer to the frequency bands table at pages 8-9
Frequency band	27 MHz Citizen Band
Frequency control	P.L.L.
Operatine temperature	-10°/+55°C
DC input voltage	9.0V (6 x AAA 1.5V alkaline battery) 7.2V (6 x AAA 1.2V Ni-MH battery)
Size	68 (L) x 146 (H) x 38 (D) mm
Weight	185 gr. (without batteries and antenna)

### Receiver

System	Double conversion, CPU controlled super-eterodine
IF	1° 10.695 MHz / 2° 455 KHz
Sensitivity	0.5uV for 20dB SINAD (FM) (H-512 PLUS) 0.7uV for 20dB SINAD (AM)
Audio output	0.3W at 8 ohm
Audio distorsion	<8% at 1 KHz
Image rejection	61dB
Adjacent channel	61dB
Signal/noise ratio	45dB
Current drain	70mA (stand-by)

### Transmitter

System	CPU controlled P.L.L. synthesizer
Maximum RF power	4W at 9.0Vdc
Modulation	AM/FM (H-512 PLUS) AM
Impedance	50 ohm unbalanced
Current drain	1500mA (at no modulation)

## Optional Accessories

AC-520	230VAC Battery Charger
LC-512	Soft Carrying Case
CAR-520	Mobile Car Adaptor
MR-1500AA	1500mAh Ni-MH Battery

Indice - Introduzione - Contenuto della confezione .....	12
Descrizione dei comandi, indicatori e funzionamento .....	13-16
Utilizzo delle batterie .....	17
Utilizzo dell' adattatore veicolare .....	18
Tabella bande di frequenza H-510 PLUS .....	19
Tabella bande di frequenza H-512 PLUS - Avviso agli utenti .....	20
Selezione / programmazione della banda di frequenza .....	21
Tabella delle restrizioni all' uso dei ricetrasmittitori CB .....	21
Caratteristiche tecniche - Accessori opzionali .....	22
Note .....	23
Tabella delle restrizioni all' uso dei ricetrasmittitori CB .....	I
Circuito stampato Main Board .....	II-III
Schema elettrico .....	IV-V
Schema a blocchi .....	VI-VII
Dichiarazione di Conformità H-510 PLUS .....	VIII
Dichiarazione di Conformità H-512 PLUS .....	IX

## IMPORTANTE !

Prima di utilizzare la ricetrasmittente, verificare che la stessa sia programmata per operare sulla banda di frequenza e nei modi previsti dalle norme di legge in vigore nel paese in cui la radio viene utilizzata. Diversamente procedere alla modifica della programmazione, come indicato in questo manuale di istruzioni. La radio è pre-programmata sulla banda CEPT 40CH FM 4W (H-512 PLUS) o sulla banda E1 40CH AM 4W (H-510 PLUS).

Si raccomanda di leggere attentamente questo manuale d' uso prima di utilizzare il prodotto. Questo anche per evitare di utilizzare la radio al di fuori dei limiti previsti dalle norme di legge in vigore nel paese dove il prodotto viene utilizzato e per evitare ogni possibile interferenza con altri servizi.

## Congratulazioni !

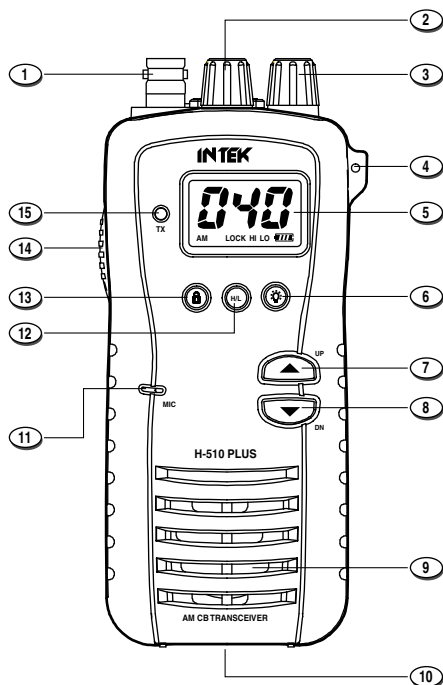
Congratulazioni per aver scelto ed acquistato un prodotto di qualità INTEK. Questo ricetrasmittitore dispone di numerose funzioni avanzate e alcuni dispositivi esclusivi. Con un uso corretto secondo quanto è indicato nel manuale di istruzioni, l' apparecchio garantirà un servizio senza problemi per molti anni. Ci impegniamo costantemente a fornire prodotti di qualità che rispondano alle vostre esigenze, ma siamo comunque sempre molto interessati a ricevere eventuali vostri commenti o suggerimenti su questo prodotto. Questo ricetrasmittitore ha caratteristiche tecniche di hardware e software molto avanzate e dispone di un circuito di tipo Multi Standard programmabile che consente di configurare i vari parametri dell' apparecchio (bande di frequenza, modi operativi, potenza del trasmettitore) in modo conforme alle norme di legge in vigore nei vari paesi della Comunità Europea. Questa radio è quindi utilizzabile in un qualsiasi paese della Comunità Europea. L' utilizzo di questo apparato é estremamente semplice; solo pochi minuti sono necessari per prenderne familiarità. Le modalità operative dei comandi e delle funzioni, sono il risultato di anni di esperienza nel campo dei ricetrasmittitori, per uso personale e professionale. Per ottenere le massime prestazioni dal ricetrasmittitore, consigliamo di prendere attentamente visione del manuale prima di iniziarne l' uso.

## Contenuto della confezione

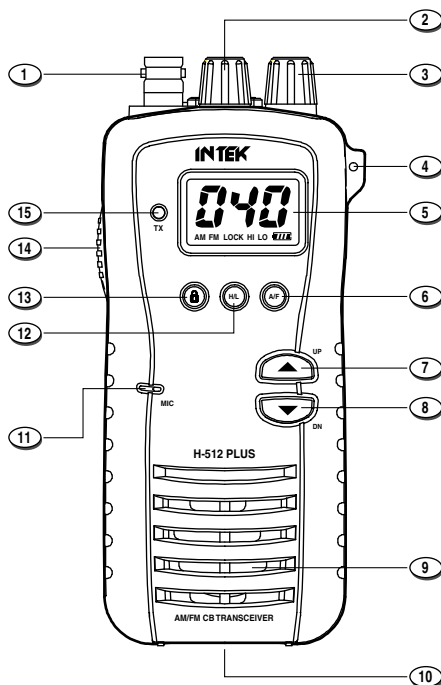
Controllare attentamente che la confezione contenga i seguenti componenti :

- Ricetrasmittitore
- Antenna in gomma
- Clip da cintura con viti di fissaggio
- Cinghietta di trasporto
- Manuale di istruzioni

## Pannello frontale



H-510 PLUS



H-512 PLUS

### 1. Presa per antenna

Connettore BNC per il collegamento dell' antenna in gomma in dotazione. Inserire e ruotare gentilmente in senso orario per bloccare, non forzare. **Il mancato inserimento può causare danni al ricetrasmittitore.**

### 2. Manopola SQ/SQ/L

COMANDO SQL (regolazione manuale SQUELCH)

Il comando SQL permette di silenziare il ricevitore, eliminando il rumore (fruscio) di fondo in assenza di segnali. Ruotare la manopola in senso orario sino a quando scompare il rumore di fondo. Ruotare la manopola in senso antiorario (apertura dello SQUELCH) per ascoltare i segnali più deboli.

COMANDO SQ (regolazione fissa SQUELCH)

E' disponibile la funzione SQ per silenziare il ricevitore in modo automatico, senza eseguire la regolazione manuale dello SQUELCH. Una regolazione fissa dello SQUELCH è pre-impostata in origine. Per impostare la funzione SQ, ruotare la manopola completamente in senso antiorario fino a farla scattare in posizione SQ.

### 3. Manopola OFF/VOL

Manopola di accensione e spegnimento della radio. Permette la regolazione del volume di ascolto. In assenza di segnali sul canale in uso, si consiglia di aprire lo SQUELCH e quindi di regolare il volume al livello desiderato utilizzando come riferimento il rumore (fruscio) di fondo.

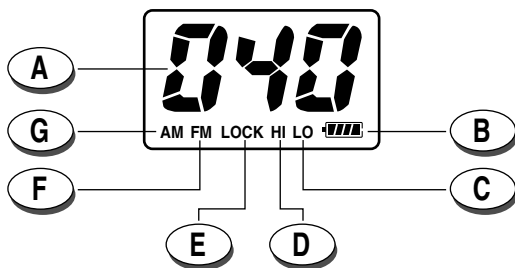
### 4. Foro per laccetto

Foro per l'inserimento della cinghietta di trasporto.

### 5. Display LCD

Ampio display LCD di tipo retro-illuminato in colore verde, per la massima leggibilità anche nell'oscurità, indica simultaneamente tutte funzioni e i dispositivi attivati, tra cui la lettura del numero del canale, il modo operativo e l'indicatore livello batteria a 4 segmenti.

#### Display LCD



#### A. Indicazione del canale

L'indicazione consente la lettura del numero del canale in uso o della banda di frequenza selezionata.

#### B. Indicazione livello batteria

Visualizza lo stato di carica delle batterie a 4 livelli.

#### C. Icona LO

L'icona LO (C) è accesa quando il ricetrasmittitore è in modalità bassa potenza (1W).

#### D. Icona HI

L'icona HI (D) è accesa quando il ricetrasmittitore è in modalità alta potenza (4W).

#### E. Icona LOCK

L'icona LOCK (E) è accesa quando la funzione di blocco tastiera è attiva.

#### F. Icona FM (H-512 PLUS)

L'icona FM (F) è accesa quando il ricetrasmittitore riceve e trasmette in modo FM (modulazione di frequenza).

#### G. Icona AM

L'icona AM (G) è accesa quando il ricetrasmittitore riceve e trasmette in modo AM (modulazione di ampiezza).

### 6. Tasto LIGHT (H-510 PLUS)

Premendo il tasto LIGHT (6) è possibile accendere o spegnere la retroilluminazione del display LCD (5).

### Tasto A/F (AM/FM) (H-512 PLUS)

Questo tasto permette di selezionare il modo operativo AM o FM in ricezione e trasmissione. La selezione del modo AM/FM è abilitata solamente se ammessa dalla banda di frequenza/modo programmata, diversamente la selezione non è possibile.

### 7. Tasto UP (Quick UP)

Questo tasto permette la selezione dei canali in ordine crescente. Mantenendo premuto questo tasto, la selezione dei canali avverrà in modo rapido.

### 8. Tasto DN (Quick DN)

Questo tasto permette la selezione dei canali in ordine decrescente. Mantenendo premuto questo tasto, la selezione dei canali avverrà in modo rapido.

### 9. Altoparlante incorporato

Altoparlante entro contenuto.

### 10. Attacco per adattatore veicolare

Attacco per il fissaggio dell' adattatore per uso veicolare (Car Adaptor).

### 11. Microfono

Microfono di tipo Electret, entro contenuto.

### 12. Tasto H/L

La potenza di uscita del trasmettitore può essere selezionata in 2 livelli (1.0W o 4W). Questa funzione è molto utile per ridurre il consumo delle batterie durante comunicazioni a breve distanza. Il livello di potenza 4W è attivo solo nelle bande di frequenza ove questo livello di potenza è ammesso. Premere questo tasto per selezionare il livello di potenza desiderato HI (alta potenza 4W) o LO (bassa potenza 1W). Sul display LCD compariranno le icone HI (D) o LO (C).

### 13. Tasto LOCK (blocco tastiera) / Tono di tastiera

FUNZIONE LOCK

Mantenendo premuto questo tasto per circa 2 secondi viene inserita la funzione di blocco tastiera. Per disinserire questa funzione ripetere l' operazione.

FUNZIONE TONO DI TASTIERA

Ogni qualvolta viene premuto un tasto della radio, un tono beep è prodotto per confermare il comando inserito. Questa nota musicale può essere attivata o disattivata dall'utente, accendendo la radio mantenendo premuto il tasto LOCK (13).

### 14. Tasto PTT (Push-To-Talk)

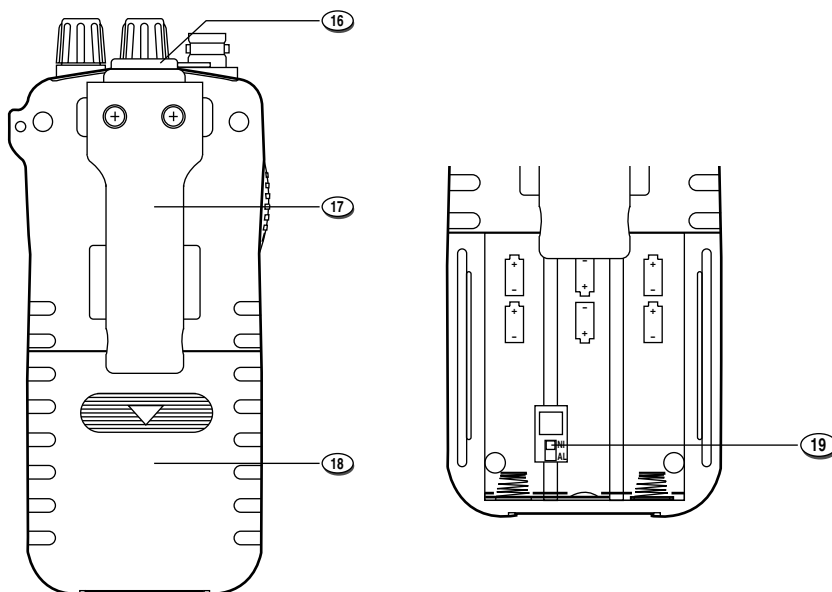
Tasto di trasmissione. Premere per trasmettere e mantenere premuto durante la trasmissione. L' indicatore LED di trasmissione TX (15) rimarrà acceso durante la trasmissione. Rilasciare il tasto PTT (14) per ritornare in modalità ricezione. **ATTENZIONE ! Non toccare l' antenna durante la trasmissione.**

### 15. Indicatore LED TX

Questo indicatore LED luminoso di colore rosso è acceso quando il ricetrasmittitore è in modalità trasmissione.



### Pannello posteriore



#### 16. Presa Mike-Speaker / ricarica

Preso per il collegamento di un microfono-altoparlante esterno e del carica batterie da parete 230VAC in dotazione.

**AVVERTENZA ! Usare solo accessori originali. Collegare ed utilizzare accessori diversi da quelli originali può causare gravi danni al ricetrasmittitore ed inoltre la perdita della garanzia.**

Ridurre sempre il livello di volume al minimo prima di collegare una cuffia o microfono esterni e aumentarlo gradatamente per evitare di danneggiare l'accessorio o l'udito dell'operatore.

#### 17. Clip da cintura

#### 18. Coperchio vano batterie

Coperchio dell'alloggiamento delle batterie.

#### 19. Selettore batterie utilizzate

Deviatore, posto all'interno del vano batterie, utilizzato per la selezione del tipo di batterie utilizzate: **Ni** per batterie ricaricabili e **AL** per batterie alcaline.

### IMPORTANTE !

Non tentare mai di aprire il contenitore del ricetrasmittitore. All'interno dell'apparecchio non vi sono parti utili o utilizzabili dall'utente. Interventi o manomissioni del circuito interno della radio possono causare danni alla stessa o modificarne le caratteristiche tecniche ed inoltre violano e invalidano il diritto alla garanzia. In caso di interventi tecnici, rivolgersi esclusivamente ad tecnico o ad un centro di assistenza autorizzato.

### Installazione e controllo delle batterie

Rimuovere il coperchio batterie (18) sfilandolo nella direzione della freccia indicata sullo stesso. Selezionare il tipo di batterie che verrà utilizzato tramite il deviatore (19) posto nel vano batterie. Selezionare **Ni** per le batterie ricaricabili o **AL** per le batterie alcaline. Inserire 6 pile tipo AA alcaline oppure batterie ricaricabili al Ni-MH, rispettando la corretta polarità, come indicato nel vano batterie. Accendere l'apparecchio, ruotando la manopola ON/OFF-VOLUME (3) in senso orario e controllare l'indicatore del livello di carica delle batterie (B). 4 barre indicano la piena carica delle batterie, 3 barre indicano normale livello di carica, 2 barre indicano metà livello di carica e 1 barra indica basso livello di carica. Se l'indicatore di livello delle batterie non presenta nessuna barra, le stesse devono essere immediatamente sostituite o ricaricate. Per il corretto procedimento, fare riferimento al paragrafo RICARICA BATTERIE.

### Ricarica batterie

Se l'indicatore (B) del livello delle batterie indica un basso livello di carica, spegnere il ricetrasmittitore e collegare il caricatore da muro mod. AC-520 alla presa di ricarica Charge (16) e successivamente alla presa di corrente 230VAC. Per ottenere il massimo rendimento, le batterie dovrebbero essere ricaricate solo se completamente scariche. Il tempo di carica dipende dalla capacità delle batterie utilizzate; il tempo di carica normale, per un set di batterie al Ni-MH (1200-1500 mAh) è di circa 12 ore. A processo di ricarica ultimato, estrarre il caricabatterie dalla presa di corrente e successivamente scollegarlo dalla radio.

### AVVERTENZE !

1. **Possono essere ricaricate solo batterie di tipo Ni-MH (o Ni-CD).**
2. **Non tentare mai di ricaricare le batterie alcaline, al fine di evitare danni alla radio o l'esplosione delle stesse.**
3. **Assicurarsi che il selettore del tipo di batterie utilizzato (19) sia posizionato su Ni.**
4. **Spegnere sempre il ricetrasmittitore prima di iniziare il processo di ricarica.**
5. **Non ricaricare mai le batterie per più di 13-14 ore, per evitare la sovraccarica o il surriscaldamento delle stesse, con conseguenti danni alla radio.**
6. **Utilizzare solo il caricabatterie in dotazione con il prodotto o i carica batterie originali INTEK.**

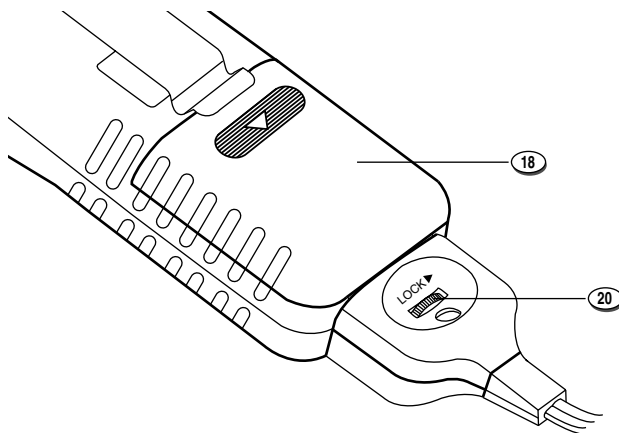
## Utilizzo dell' adattatore veicolare

### Utilizzo dell' adattatore per uso veicolare (CAR-520)

L' adattatore CAR-520 permette di trasformare il ricetrasmittitore portatile in apparato veicolare in quanto consente di alimentare la radio direttamente dalla presa accendisigari del veicolo e di collegarlo ad un' antenna esterna.

Installare l' adattatore veicolare procedendo come segue :

1. Togliere l' antenna in gomma dalla radio.
2. Collegare l' adattatore veicolare alla radio come mostrato nel disegno. Fare combaciare la contattiera della radio con quella dell' adattatore veicolare ed inserire i 2 dentelli di plastica nei 2 fori predisposti.
3. Avvitare la ghiera (20) alla radio, nel senso indicato dalla scritta LOCK.
4. Collegare lo spinotto accendisigari alla presa accendisigari del veicolo (12VDC).
5. Collegare un' antenna esterna alla presa SO-239 dell' adattatore veicolare.



## Tabella bande di frequenza H-510 PLUS

### Tabella bande di frequenza H-510 PLUS

Il ricetrasmittitore INTEK H-510 PLUS dispone di un avanzato circuito multi-standard programmabile, che consente di programmare la banda di frequenza, i parametri e i modi operativi in conformità con le norme del paese in cui viene utilizzato l' apparecchio. Sono disponibili n. 5 bande programmabili, come dalla seguente tabella :

<b>CODICE BANDA DI FREQUENZA</b>	<b>PAESE</b>	<b>SPECIFICHE (Canali, modi operativi, potenza TX)</b>
<b>E1</b>	<b>ITALIA/SPAGNA</b>	<b>40CH AM</b>
<b>I2</b>	<b>ITALIA</b>	<b>36CH AM</b>
<b>DE</b>	<b>GERMANIA</b>	<b>12CH AM 1W</b>
<b>EU</b>	<b>EUROPA/FRANCIA</b>	<b>40CH AM 1W</b>
<b>PL</b>	<b>POLONIA</b>	<b>40CH AM FREQUENZE POLACCHE</b>

**ATTENZIONE !** Il ricetrasmittitore è stato pre-programmato all' origine sulla banda di frequenza con codice paese **E1 (40CH AM 4W)**, in quanto questo standard è attualmente riconosciuto in alcuni paesi (Italia e Spagna). Vedere la tabella delle informazioni alla pag. I (Restrizioni all' uso dei ricetrasmittitori CB).

# Tabella bande di frequenza H-512 PLUS - Avviso agli utenti

## Tabella bande di frequenza H-512 PLUS

Il ricetrasmittitore INTEK H-512 PLUS dispone di un avanzato circuito multi-standard programmabile, che consente di programmare la banda di frequenza, i parametri e i modi operativi in conformità con le norme del paese in cui viene utilizzato l'apparecchio. Sono disponibili n. 8 bande programmabili, come dalla seguente tabella :

CODICE BANDA DI FREQUENZA	PAESE	SPECIFICHE (Canali, modi operativi, potenza TX)
E1	ITALIA/SPAGNA	40CH AM / FM 4W
I2	ITALIA	36CH AM / FM 4W
DE	GERMANIA	80CH FM 4W - 12CH AM 1W
D2	GERMANIA	40CH FM 4W - 12CH AM 1W
EU	EUROPA/FRANCIA	40CH FM 4W - 40CH AM 1W
CE	CEPT	40CH FM 4W
U	INGHILTERRA	40CH FM 4W FREQUENZE UK 40CH FM 4W FREQUENZE CEPT
PL	POLONIA	40CH AM / FM 4W FREQUENZE POLACCHE

**ATTENZIONE !** Il ricetrasmittitore è stato pre-programmato all'origine sulla banda di frequenza con codice paese **CE (CEPT 40CH FM 4W)**, in quanto questo standard è attualmente riconosciuto in tutti i paesi europei. Vedere la tabella delle informazioni alla pag. I (Restrizioni all'uso dei ricetrasmittitori CB).

## Avviso agli utenti

Ai sensi dell'art. 13 del decreto legislativo 25 luglio 2005, n. 15"Attuazione delle Direttive 2002/95/CE, 2002/96/CE e 2003/108/CE, relative alla riduzione dell'uso di sostanze pericolose nelle apparecchiature elettriche ed elettroniche, nonché allo smaltimento dei rifiuti".



Il simbolo del cassonetto barrato riportato sull'apparecchiatura indica che il prodotto alla fine della propria vita utile deve essere raccolto separatamente dagli altri rifiuti.

L'utente dovrà, pertanto, conferire l'apparecchiatura giunta a fine vita agli idonei centri di raccolta differenziata dei rifiuti elettronici ed elettrotecnici, oppure riconsegnarla al rivenditore al momento dell'acquisto di una nuova apparecchiatura di tipo equivalente, in ragione di uno a uno.

L'adeguata raccolta differenziata per l'avvio successivo dell'apparecchiatura dismessa al riciclaggio, al trattamento e allo smaltimento ambientalmente compatibile contribuisce ad evitare possibili effetti negativi sull'ambiente e sulla salute e favorisce il riciclo dei materiali di cui è composta l'apparecchiatura.

Lo smaltimento abusivo del prodotto da parte dell'utente comporta l'applicazione delle sanzioni amministrative di cui al dlgs. n. 22/1997" (articolo 50 e seguenti del dlgs. n. 22/1997).

## Selezione / programmazione della banda di frequenza

Il ricetrasmittitore deve essere programmato e utilizzato esclusivamente su una banda di frequenza ammessa nel paese in cui viene utilizzato l' apparecchio. Per programmare la banda di frequenza, eseguire la seguente procedura :

1. Spegnerne il ricetrasmittitore.
2. Premere e mantenere premuto il tasto PTT (14), quindi accendere il ricetrasmittitore, ruotando la manopola OFF/VOL (3).
3. Il codice di paese impostato di due caratteri (A) lampeggia sul display LCD (5).
4. Selezionare ora il nuovo codice di paese desiderato utilizzando i tasti UP (7) e DN (8).
5. Premere rapidamente il tasto PTT (14) per confermare.

### SELEZIONE CANALI UK / CE (BANDA DI FREQUENZA U) (H-512 PLUS)

Se è stata programmata la banda di frequenza U (Gran Bretagna), per passare dalle frequenze UK alle frequenze CEPT e viceversa, scorrere tutti i 40 canali della banda in uso per passare da una banda all' altra. Sul display (5) comparirà l' indicazione **U** (frequenze UK) o **C** (frequenze CEPT) seguita dal numero del canale in uso.

## Tabella delle restrizioni all' uso dei ricetrasmittitori CB (pag. I)

Le seguenti informazioni sono date a solo titolo indicativo. Si ritiene che le stesse siano corrette al momento della stampa del presente manuale di istruzioni. E' tuttavia responsabilità dell' utilizzatore del ricetrasmittitore il verificare che, nel paese in cui viene utilizzato l' apparecchio, non siano state introdotte variazioni alle norme di legge che abbiano modificato le suddette restrizioni. Si consiglia quindi l' utilizzatore di consultare il proprio rivenditore di fiducia o l' autorità locale al fine di verificare con esattezza le norme di legge in vigore e le restrizioni all' uso per i ricetrasmittitori CB, prima di utilizzare il prodotto. Il produttore non assume alcuna responsabilità per l' uso del prodotto in modo non conforme a quanto è stabilito dalle norme di legge, vigenti nel paese in cui il prodotto è utilizzato.

### Addendum (Aggiornamento sulle restrizioni nazionali)

#### BELGIO, GRAN BRETAGNA, SPAGNA, SVIZZERA

Per poter utilizzare questo ricetrasmittitore in Belgio, Gran Bretagna, Spagna e Svizzera, i residenti necessitano di una licenza individuale. Coloro che invece provengono dall' estero possono utilizzare liberamente l' apparecchio in modo FM, mentre per utilizzarlo in modo AM devono essere in possesso di una licenza rilasciata dal paese di origine.

#### ITALIA

Per gli stranieri che arrivano in Italia, è necessaria una autorizzazione italiana.

#### AUSTRIA

L' Austria non autorizza l' uso di ricetrasmittitori CB di tipo multi-standard (programmabili). Si consiglia di rispettare scrupolosamente questa direttiva e di non utilizzare l' apparecchio nel territorio austriaco.

#### GERMANIA

Lungo i confini di alcune zone della Germania, l' utilizzo del ricetrasmittitore come stazione base dal canale 41 al canale 80 non è ammesso. Rivolgersi all' autorità locale (ufficio notifiche) per ulteriori dettagli.

## Caratteristiche tecniche

### Generali

Canali	Vedere tabella bande di frequenza alle pag. 19-20
Gamma di frequenza	27 MHz Banda Cittadina
Controllo di frequenza	P.L.L.
Temperatura di lavoro	-10°/+55°C
Tensione di alimentazione	9.0Vdc (n. 6 pile alkaline 1.5V tipo AAA) 7.2Vdc (n. 6 batterie ricaricabili Ni-MH 1.2V tipo AAA)
Dimensioni	68 (L) x 146 (A) x 38 (P) mm
Peso	185 gr. (escluse batterie e antenna)

### Ricevitore

Sistema	Super-eterodina a doppia conversione, controllato da CPU
IF	1° 10.695 MHz / 2° 455 KHz
Sensibilità	0.5µV per 20dB SINAD (FM) (H-512 PLUS) 0.7µV per 20dB SINAD (AM)
Uscita audio	0.5W a 8 ohm
Distorsione audio	<8% a 1 KHz
Reiezione alle immagini	61dB
Canale adiacente	61dB
Rapporto segnale/rumore	45dB
Consumo	70mA (stand-by)

### Trasmettitore

Sistema	Sintetizzatore P.L.L. controllato da CPU
Potenza RF massima	4W a 9.0Vdc
Modulazione	AM/FM (H-512 PLUS) AM
Impedenza	50 ohm sbilanciati
Consumo	1500mA (senza modulazione)

### Accessori Opzionali

AC-520	Caricabatterie da parete 230VAC
LC-512	Custodia in pelle ecologica
CAR-520	Adattatore per uso veicolare
MR-1500AA	Batteria ricaricabile Ni-MH 1500mAh



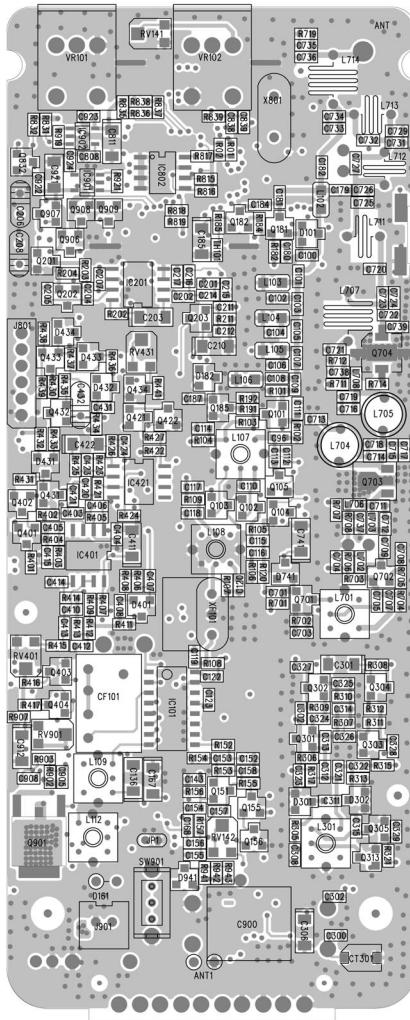
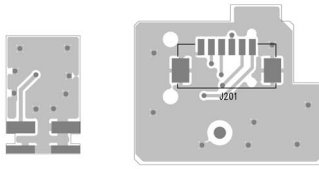


## Table of restrictions on the use of CB transceivers

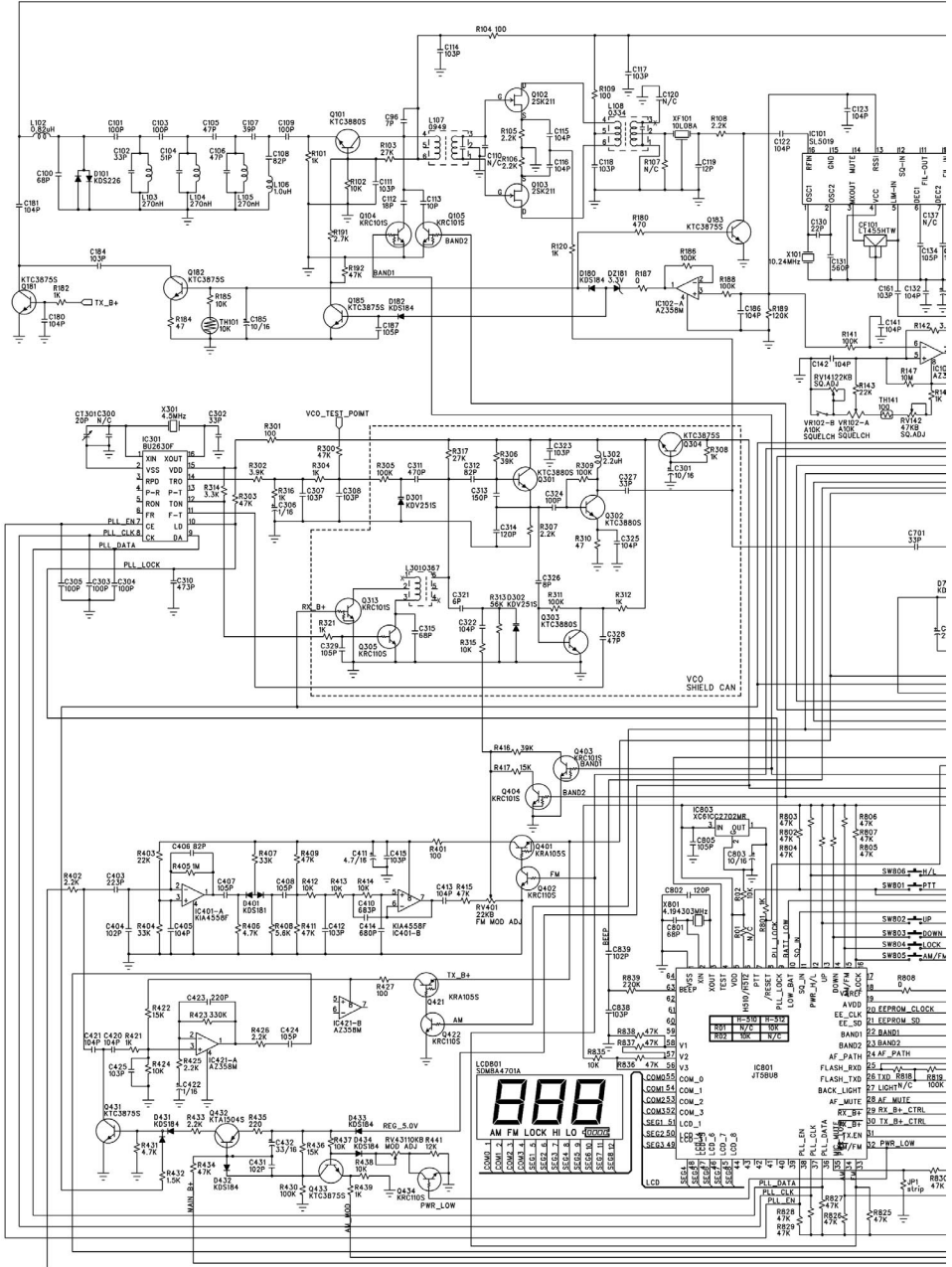
COUNTRY	CB Introd.	Use restrictions and other comments	Settings			
AUSTRIA	NO	Not allowed				
BELGIUM	YES	40 CH - 4W FM - Individual license is required		EU	FR	CE
		40 CH - 1W AM - Individual license is required				
DENMARK	YES	40 CH - 4W FM - Free use				CE
FINLAND	YES	40 CH - 4W FM - Free use		EU	FR	CE
		e 1W AM - Free use				
FRANCE	YES	40 CH - 4W FM - Free use		EU	FR	CE
		40 CH - 1W AM - Free use				
GERMANY	YES	80 CH - 4W FM - Free use (restrictions for use as a base station on channels 41-80 in some border areas)	DE			
		12 CH - 1W AM - Free use				
		40 CH - 1W AM Free use (only CH 4-15 allowed)		EU		
		40 CH - 4W FM - Free use	D2			CE
		12 CH - 1W AM - Free use REGTP Vfg41 issued on September 10, 2003				
GREECE	YES	40 CH - 4W FM - Free use		EU	FR	CE
		40 CH - 4W AM - Free use				
		T/R 20-02				
IRELAND	YES	40 CH - 4W FM - Free use	SP	EU	FR	10 CE
		40 CH - 4W AM - Free use				
		S.I. No 436 of 1998. WIRELESS TELEGRAPHY ACT, 1926 (SECTION3) (EXEMPTION OF CITIZENS' BAND (CB) RADIOS) ORDER, 1998				
ITALY	YES	40 CH - 4W FM - A Declaration to the Italian Ministry is required (art. 145 - dl 259 of 01/08/2003)	SP	EU	FR	10 CE
		40 CH 1W AM - A Declaration to the Italian Ministry is required (art. 145 - dl 259 of 01/08/2003)				
		34 CH - 4W FM, 1W AM (erp). Nota: AM mode allowed on CH1-CH23 only. General authorisation is required (art. 104 - dl259 of 01/08/2003)				12
		P.N.F. issued on DM 08.07.02 Notes: 49 A/B/C/D/E/G				
LUXEMBOURG	YES	40 CH - 4W FM - Free use. (Following frequencies are not allowed : 29.995, 27.045, 27.095, 27.145, 27.195 MHz)				CE
NORWAY	YES	40 CH - 4W FM - Free use				CE
NETHERLANDS	YES	40 CH - 4W FM - Free use		EU	FR	CE
		40 CH - 1W AM - Free use				
PORTUGAL	YES	40 CH - 4W FM - Individual license is required		EU	FR	CE
		40 CH - 1W AM - Individual license is required				
UNITED KINGDOM	YES	40 CH - 4W FM - Individual licence is required	UK			CE
		UK-RA-MPT 1382/MPT1320; UK-R&TTE -S.I.L. 2000:730				
SPAIN	YES	40 CH - 4W FM - Individual licence is required	SP	EU	FR	CE
		40 CH - 4W AM - Individual licence is required				
		Ministerial decree of 18th November 2002 issued by "Secretaría de Estado de Telecomunicaciones y para la Sociedad de la Información"				
SWEDEN	YES	40 CH - 4W FM - Free use		EU	FR	CE
		40 CH - 1W AM - Individual licence is required				
SWITZERLAND	YES	40 CH - 4W FM - Individual licence is required		EU	FR	CE
		40 CH - 1W AM - Individual licence is required				



# PCB - Main Board

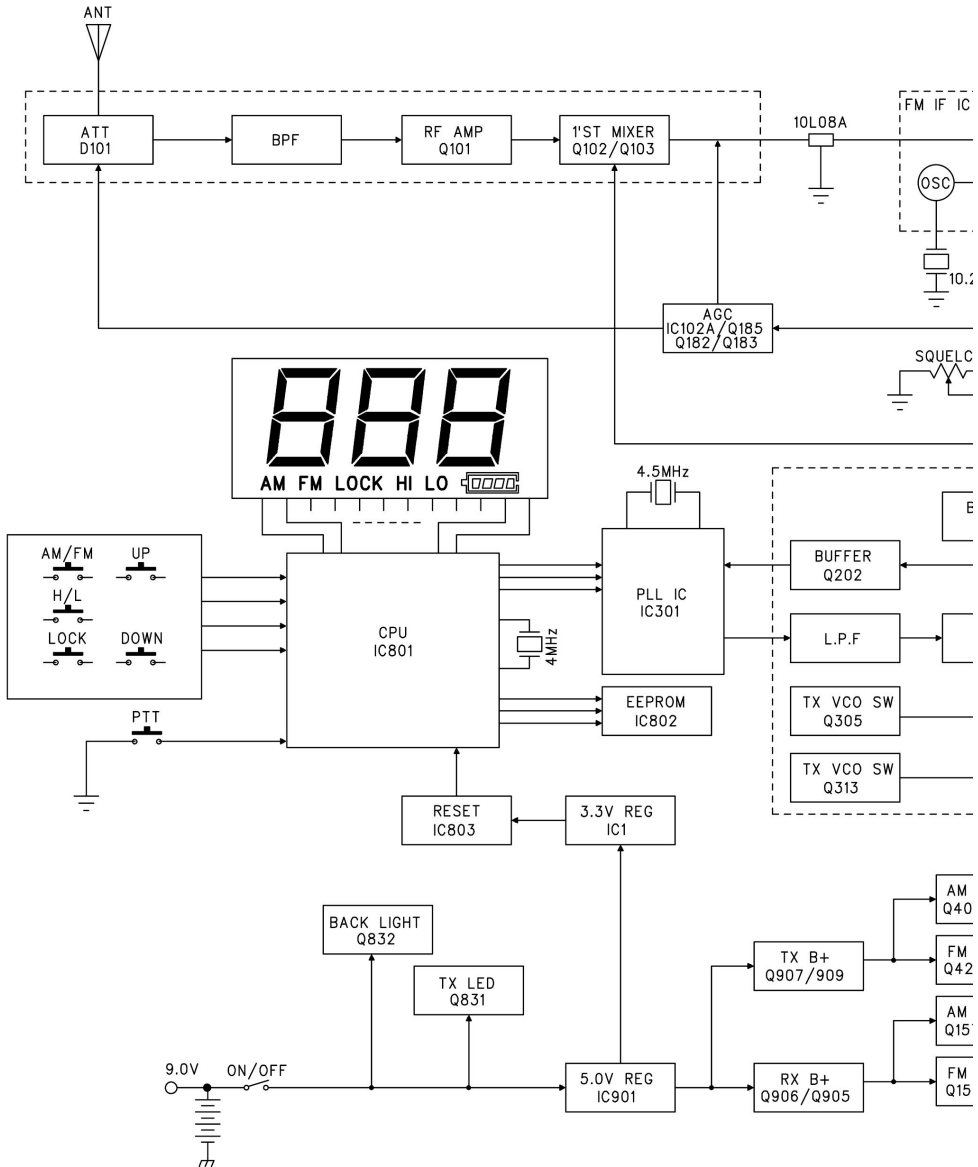


# Diagram

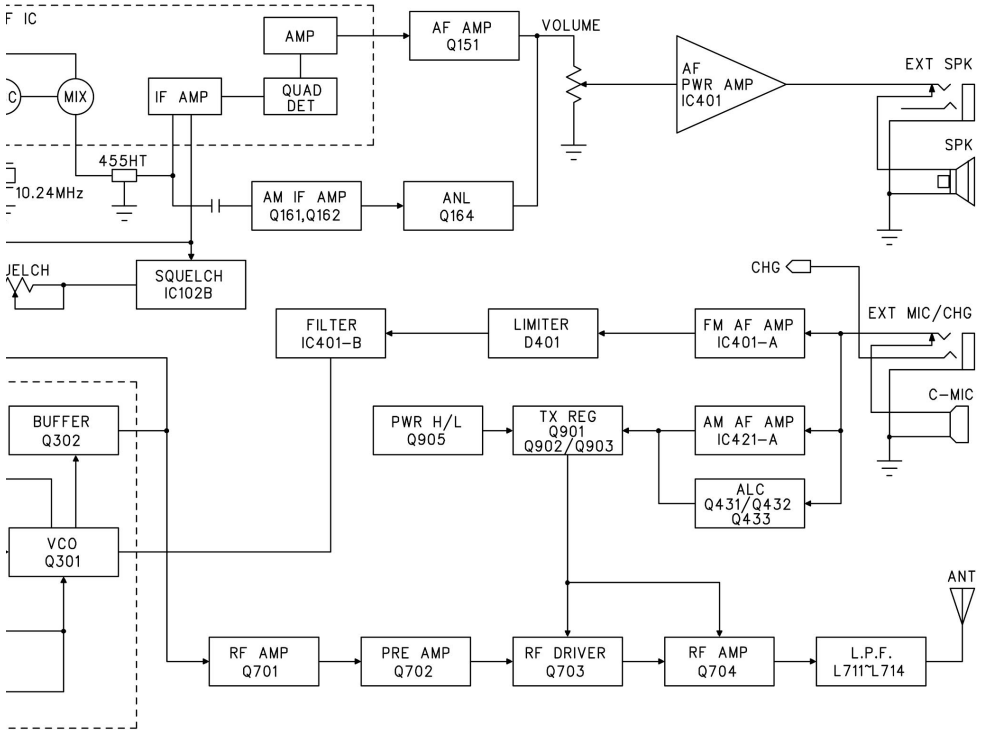




# Block Diagram



# Block Diagram



- AM TX B+  
Q401/Q402
- FM TX B+  
Q421/Q422
- AM RX B+  
Q157/Q158
- FM RX B+  
Q155/Q156

# Declaration of Conformity H-510 PLUS

EC Certificate of Conformity  
(to EC Directive 99/5-89/336-93/68-73/23)

## DECLARATION OF CONFORMITY

With the present declaration, we certify that the following products :

### INTEK H-510 PLUS

comply with all the technical regulations applicable to the above mentioned products in accordance with the EC Directives 73/23/EEC, 89/336/EEC and 99/5/EC.

<b>Type of product :</b>	CB Transceiver
<b>Details of applied standards :</b>	EN 300 433-1/-2 EN 301 489-1, EN 301 489-13 EN 60065
<b>Manufacturer :</b>	<b>INTEK S.R.L.</b> Via G. Marconi, 16 20090 Segrate, Italy Tel. 39-02-26950451 / Fax. 39-02-26952185 E-mail : intek.com@intek-com.it
<b>Notified Body :</b>	EMCCert Dr. Rasek Boelwiese 5, 91320 Ebermannstadt Germany Identification Number : 0678
<b>Contact Reference :</b>	Armando Zanni Tel. 39-02-26950451 / Fax. 39-02-26952185 E-mail : intek.com@intek-com.it

Segrate, 26/05/2008

dr. Vittorio Zanetti  
(General Manager)

CE 0678





# Declaration of Conformity H-512 PLUS

EC Certificate of Conformity  
(to EC Directive 99/5-89/336-93/68-73/23)

## DECLARATION OF CONFORMITY

With the present declaration, we certify that the following products :

### INTEK H-512 PLUS

comply with all the technical regulations applicable to the above mentioned products in accordance with the EC Directives 73/23/EEC, 89/336/EEC and 99/5/EC.

<b>Type of product :</b>	CB Transceiver
<b>Details of applied standards :</b>	EN 300 433-1/-2, EN 300 135-1/-2 EN 301 489-1, EN 301 489-13 EN 60065
<b>Manufacturer :</b>	<b>INTEK S.R.L.</b> Via G. Marconi, 16 20090 Segrate, Italy Tel. 39-02-26950451 / Fax. 39-02-26952185 E-mail : intek.com@intek-com.it
<b>Notified Body :</b>	EMCCert Dr. Rasek Boelwiese 5, 91320 Ebermannstadt Germany Identification Number : 0678
<b>Contact Reference :</b>	Armando Zanni Tel. 39-02-26950451 / Fax. 39-02-26952185 E-mail : intek.com@intek-com.it

Segrate, 23/05/2008

dr. Vittorio Zanetti  
(General Manager)





**INTEK<sup>®</sup>**