

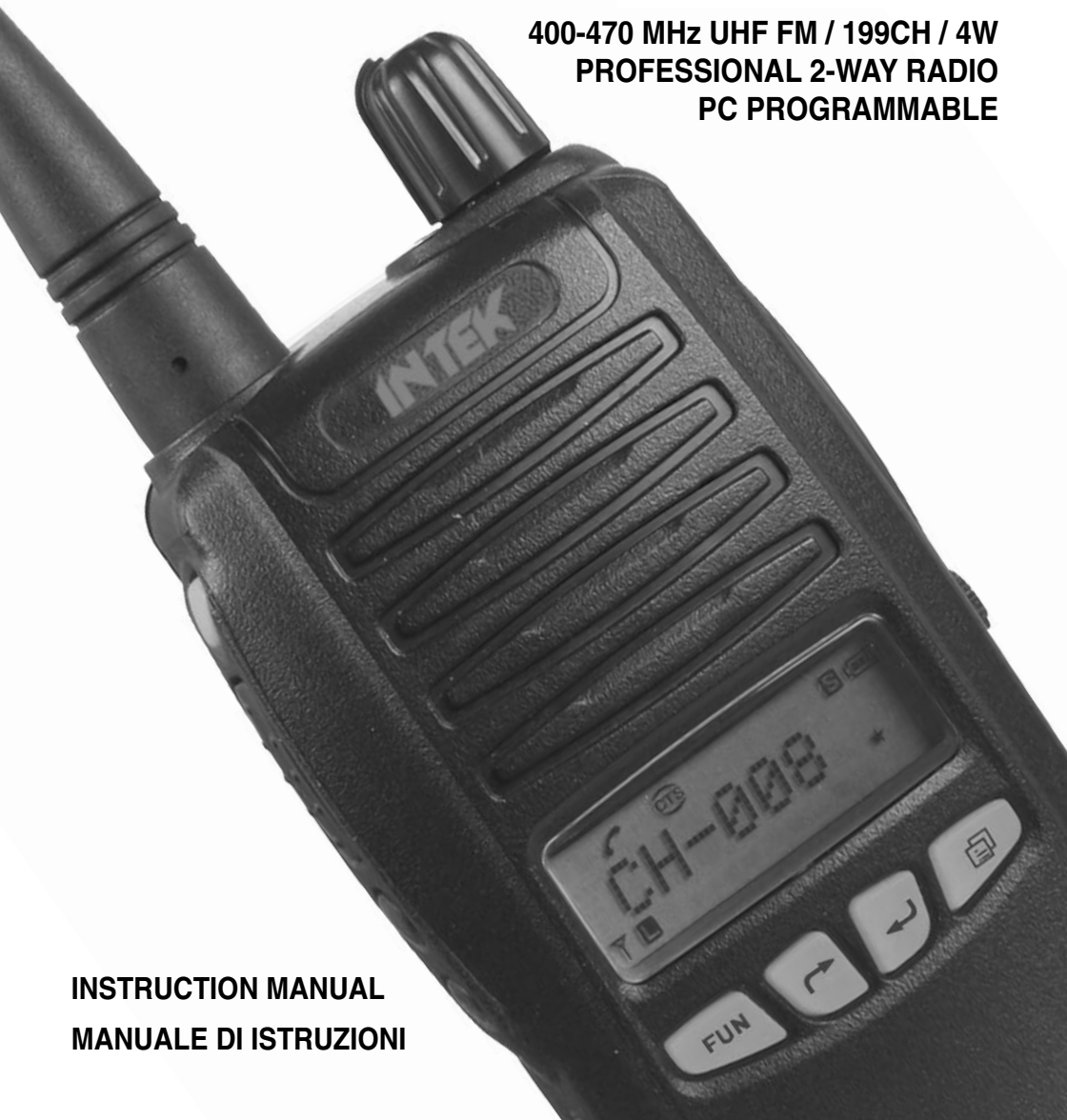
INTEK[®]

HT-174S

**136-175 MHz VHF FM / 199CH / 5W
PROFESSIONAL 2-WAY RADIO
PC PROGRAMMABLE**

HT-460S

**400-470 MHz UHF FM / 199CH / 4W
PROFESSIONAL 2-WAY RADIO
PC PROGRAMMABLE**



**INSTRUCTION MANUAL
MANUALE DI ISTRUZIONI**

Index - Notice	1
General information	2
Unpacking and checking parts - Supplied accessories	3
Preliminary Steps	4-6
Getting acquainted with the product	7-9
Getting started	10
Menu Operation	10-12
Automatic Channel Scanning	12
Advanced Functions	13-15
Specifications - Optional accessories	16
Frequency / Channels programming - User Information	17
Declaration of Conformity HT-174S	37
Declaration of Conformity HT-460S	38

NOTICE !

It is recommended to carefully read this owner's manual before using the product. This will also help the user to prevent using the radio in violation of the regulations valid in the country where the product is used, as well as to avoid any possible interferences with other services.

NOTICE !

This transceiver has been factory pre-programmed, in order for the user to test it right after purchase. It is the user's responsibility to re-program the radio, in accordance with the specifications for the frequency channels assigned by the local authority.

NOTICE !

This transceiver is programmable via PC, using the dedicated software and the PC interface cable (optional items). Any programming or modification of the original default setting must be made by a specialised technician or by an authorised service centre. Some functions of this transceiver might be programmed in violation of the technical rules in force for the use of the VHF and UHF FM bands. It is the user's responsibility to check that any modification to the programming will be done in compliance with the current regulations. Any modification to the product, alteration of the internal circuit, of the external structure of the radio or any programming in violation of the current regulations will automatically void the product certification and your right to use the product. INTEK S.R.L. declines any responsibility concerning any modification of the product, made by the user or by a third party, after delivery of the product.

Thank you !

Thank you for choosing INTEK for your two-way business radios applications. This user friendly transceiver will provide you with clear and reliable communications and will keep your professional activities at peak efficiency. This transceiver incorporates the latest and most advanced technology, so you will be pleased with its quality and its technical features.

Important notice !

The use of VHF and UHF FM transceivers is subject to the regulations applied in the country where the product has to be used. As regulations are usually subject to possible modifications, please check the current regulations in your country with your dealer or local supplier. INTEK does not take any responsibility for illegal use and operation of this product not in accordance with the regulation of the country where the product is used.

Safety notice

The user must know and understand the common risks related to the use of transceivers. Do not use the transceiver in environments at risk of explosion (where there are gas, dusts, smokes, etc.). Do not use the transceiver in service areas or fuel stations, on board aircrafts, etc.

Cautions

Please observe the following precautions, in order to avoid causing fire, personal injuries or damage to the radio:

- It is suggested that each transmitted message lasts a few minutes only, since very long transmissions at the maximum transmitter RF output power may overheat the transmitter.
- Do not alter or modify in any way your transceiver.
- Do not expose the transceiver for a long time to direct sunlight and do not place it close to heat sources.
- Do not expose the transceiver to excessively dusty or damp places, do not place it on unstable surfaces.
- In case of anomalous smell or smoke that leaks out from the transceiver, turn it off immediately and remove the battery pack. Please contact an authorised service center.
- Please do not dispose off used battery with common garbage. Please use the dedicated disposal containers.

Unpacking and Checking Parts - Supplied Accessories

Unpacking and checking parts

Carefully unpack the product. Please identify all the parts listed below, before wasting the packaging. If any part is missing or if the packaging shows any damage, please contact your dealer immediately.

Supplied accessories

Rubber flexible antenna with SMA connector

7.4V 1200mAh Li-Ion Rechargeable Battery Pack

Electronic Quick Desk Charger

Belt Clip

Speaker-microphone Jack Cover

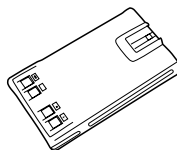
User Manual



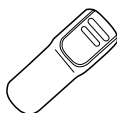
Rubber flexible antenna
with SMA connector



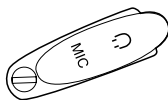
Quick Desk Charger



Li-Ion Battery Pack



Belt Clip

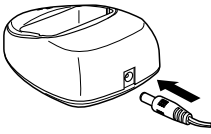


Speaker-microphone
Jack Cover

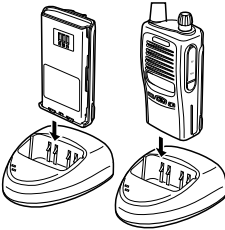


User Manual

Battery charging



Connect the 230VAC adaptor charger to the desk type battery charger and to a 230VAC outlet. The Red Led will flash to confirm that the charger is powered.

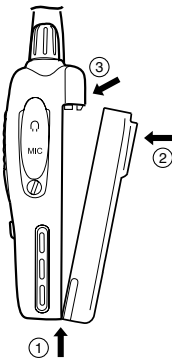


Insert the empty battery or the transceiver with the battery pack in the battery charger. Please make sure that the charging contacts of the radio are connected with the charging contacts of the charger cradle. The Red Led will light then the device is ready to begin the charging process. The charging time depends on the battery condition and capacity. When the charging process has finished, the Led lights in Green color. Remove the battery pack or the transceiver from the battery charger and disconnect it from the AC outlet.

Warning !

- The battery is supplied empty and it has to be fully recharged before use.
- Some complete cycles of charge/discharge will be necessary in order for the battery to reach a peak efficiency level.
- Please do not charge the battery again when it has just been charged. Otherwise, you may damage the battery or reduce its life.
- The battery charger does not switch OFF automatically when charging is complete, therefore please remove battery or radio from the charger cradle and disconnect it from the AC outlet.
- **Do not recharge battery for more than 8 hours, in order to avoid battery overheating.**

To install the battery



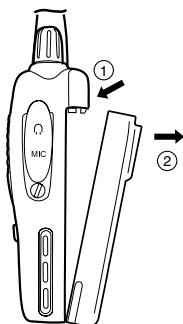
Place the battery pack on the radio as showed in the drawing (item 1).

Push the battery pack forward (item 2) until it is locked on the radio (item 3).

Preliminary Steps

English

To remove the battery



To remove the battery pack, press the battery lock on the radio (item 1) and push back the battery pack, as showed in the drawing (item 2).

Warning !

- Please do not waste used batteries into the environment and do not trash them with the common garbage. Please use the dedicated case for the collection of used up batteries at your supplier.
- Do not attempt to open or remove the battery casing.
- Do not short the battery terminals or throw the used batteries into fire.

Installing the antenna

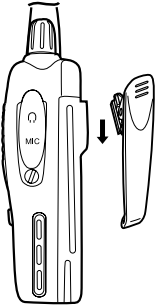


Connect the antenna to the antenna connector located on the top panel of the radio. Gently turn the antenna clockwise until locked.

Warning : Do not touch the antenna and do not move it close to a microphone cable during transmission, as this might cause malfunction and damage to the radio.

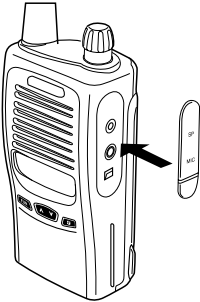
Preliminary Steps

To install / to remove the belt clip



If necessary, attach the belt clip to the transceiver, making it slide along the fit runner placed on the rear side of the battery until the lock will hook. To remove the belt clip press the lock and slide the belt clip away from the battery.

Install the external earset-microphone jack rubber cover.

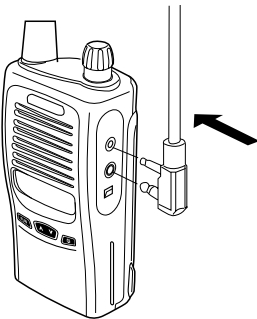


If an external earset-microphone is not used, please install the earset-microphone jack rubber cover.

Install the earset-microphone jack rubber cover as showed on the drawing. Fix the cover with the supplied screw.

If the earset-microphone jack rubber cover is removed, radio will not be splash proof.

To install the external microphone (optional)



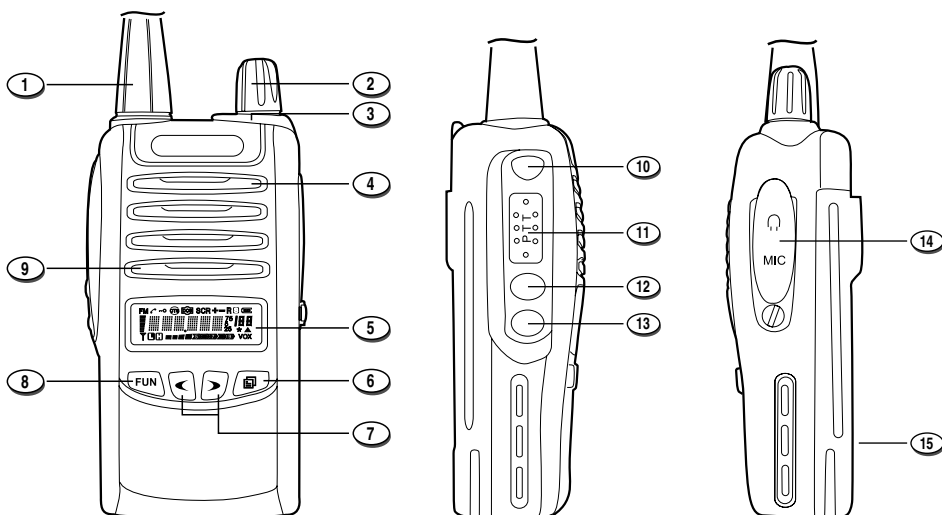
To install the external microphone, remove the protection cover of the external microphone/speaker jack. This cover ensures the watertight integrity of the transceiver (spray-guard) that will not be ensured after its removing. Insert the connector of the external microphone into the right jack.

In order to avoid malfunction or damage to the transceiver, use only original microphones. Using non original accessories will automatically void the warranty.

Warning !

If an external earset-microphone is used, radio will not be splash proof.

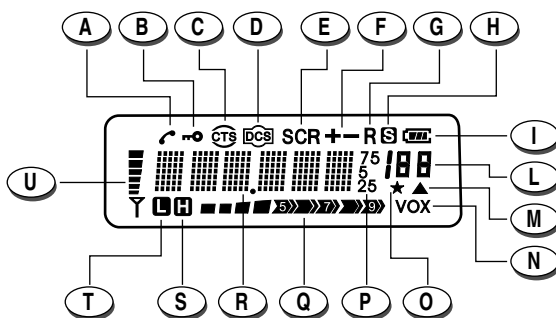
GETTING ACQUAINTED WITH THE PRODUCT



- 1. Antenna**
Rubber flexible antenna with SMA connector.
- 2. Power ON switch and volume control**
Switch on the transceiver turning the knob clockwise or counterclockwise to switch it off. To increase the volume, turn the knob clockwise or counterclockwise to decrease it.
- 3. RX/TX LED Indicator**
The LED indicator will light in green colour when the radio is receiving a signal and in red colour during transmission.
- 4. Speaker**
Built-in speaker.
- 5. LCD Display**
Backlighted Dot Matrix LCD Display, provides clear reading and full information on every function and status of the radio
- 6. Confirm Key**
Press this key to confirm the Menu selections and exit to Stand-by mode.
- 7. UP/DOWN Keys**
Channels and menu operation selection keys.
- 8. FUN Key**
Function key to enter the Menu mode and access several functions of the radio.

9. **Microphone**
Built-in microphone.
10. **Emergency Alarm Key**
Press this key to transmit an Emergency Alarm tone. Press the PTT key (11) to close up the alarm.
11. **PTT key (Push-To-Talk)**
To transmit, press and keep pressed the PTT key (11), then speak into the microphone (9) with your normal voice. To receive release the PTT key (11).
12. **LAMP Key**
Rubber key to switch ON and OFF the LCD and keypad backlight function.
13. **MONITOR Key**
Press this key to open the Squelch, in order to hear the background noise and release it to close the Squelch.
14. **External earset-microphone jack rubber cover**
This cover protects the external earset-microphone jack and makes the radio splash proof.
15. **Desktop Charger Contacts**

LCD DISPLAY



- A. **ANI Icon**
The ANI Icon (A) is lighted when the ANI (Identification Number) function is enables. Please refer to IDENTIFICATION NUMBER SETUP at page 15.
- B. **Keypad Lock Icon**
The Lock icon (B) is lighted when the keypad lock function has been enabled. Please refer to KEYBOARD LOCK SETUP at page 11-12.
- C. **CTS Icon**
The CTS Icon (C) is lighted when the CTCSS function is enabled. Please refer to TONE SQUELCH function at page 13-14.

- D. DCS Icon**
The DCS Icon (D) is lighted when the DCS function is enabled. Please refer to TONE SQUELCH function at page 13-14.
- E. SCR Icon**
The SCR Icon (E) is lighted when the Scrambler function is enabled. This function may be enabled with the optional PC programming kit. Before enabling this function, please make sure that local regulations allow the use of this device.
- F. + - Icons**
The + and - icons indicate if the transmitting frequency is higher (+) or lower (-) than the receiving frequency on the used channel.
- G. R Icon**
Not available on this model.
- H. S Icon**
The S Icon (H) is lighted when the Power Save function is enabled. Please refer to POWER SAVE SETUP at page 14.
- I. Battery Level Indicator**
It shows the current battery level condition.
- L. Numeric Indication**
It shows the selected Channel Number and the function number in the Menu Mode.
- M. Narrow Band Icon**
This icon shows the 12.5 KHz bandwidth. Please refer to N/W BANDWIDTH SETUP at page 15.
- N. VOX Icon**
The VOX icon is lighted when the VOX function has been enabled. Please refer to VOX LEVEL SETUP at page 12.
- O. Channel Scanning Icon**
This Icon is lighted when the selected channel is programmed to the scanning list. Please refer to CHANNEL SCANNING ADDITION/DELETION at page 11.
- P. Frequency Reading (25-5-75).**
The frequency reading is available only in Memory Mode. Please refer to MODE function at page 13.
- Q. RF Digital Meter**
It indicates the transmitter RF output power.
- R. Dot Matrix Indication**
It provides full information on channel and all enabled functions.
- S. H Icon**
The H icon (S) is lighted when the transmitter is in High Power mode.
- T. L Icon**
The L icon (T) is lighted when the transmitter is in Low Power mode.
- U. Signal Digital Bar Meter**
Indicates the received signal strength in the receive mode.

GETTING STARTED

Power ON

Switch on the transceiver turning the Power/Volume knob (2) clockwise until you hear a click, the transceiver now is in stand-by mode.

Volume adjustment

To adjust the volume, turn the volume knob (2) while using the MONITOR key (13) to listen to the background noise of the channels.

Channel selection

Select the desired channel, using the UP/DOWN keys (7).

Transmission

In order to transmit, press the PTT key (11) and speak with your normal voice, keeping the microphone at about 4 cm from your mouth. The LED indicator (3) will light in red color. Release the PTT (11) key at the end of transmission.

Receiving

Release the PTT (11) key and properly adjusting volume, you will be able to receive the incoming signals. When receiving a signal, the LED indicator (13) will light in green colour.

MENU OPERATION

In stand-by status, press FUN key (8) to enter the menu. The numeric indication (L) will show the selected menu item.

Press the UP/DOWN (7) keys to choose menu items and press the Confirm Key (6) to confirm the selections and exit to Stand-by mode.

1. Menu function sequence

SQL (Squelch setup) ---> LED (backlight setup) ---> BEP (keypad tone ON/OFF) ---> SCN (channel scanning add or remove) ---> KY (keypad lock setup) ---> VOX (VOX sensitivity setup) ---> NAM (channel naming ON/OFF) --> POW (transmitter power High-Low).

2. Key Function in the Menu Mode

FUN Key (8) : enter the menu mode

UP/DOWN Keys (7) : choose menu items

CONFIRM Key (6) : confirm item choice or parameter and exit to Stand-by mode

SQL : Squelch Level Setup

In stand-by status, press the FUN Key (8) to enter the menu mode. The **SQL** indication (R) and the Menu item number (L) will appear on the LCD display (5). Press the FUN key (8) to enter the Squelch setup. The Squelch level will flash on the LCD display. Press the UP/DOWN keys (7) to choose the desired squelch level from **00** (Squelch opening) to **09**. If level **00** is selected, Squelch will be open and you will hear the background noise. Press the CONFIRM Key (6) to confirm the selection and exit to Stand-by mode or press the FUN Key (8) to confirm and return to the Menu selection.

LED : Backlight Setup

In stand-by status, press the FUN Key (8) to enter the menu mode. The **SQL** indication and the Menu item **1** (L) will appear on the LCD display (5). Press the UP/DOWN (7) keys several times until the **LED** indication (R) and the Menu item **2** (L) appear on the LCD display. Press the FUN key (8) to enter the LED setup. The LED selected option (AUT, ON or OFF) will flash on the LCD display. Press the UP/DOWN keys (7) to choose the desired option as follow :

AUT : When this option is selected, the LCD display backlight will be turned on once you press a key.

ON : When this option is chosen, the LCD display backlight will be turned ON automatically.

OFF : When this option is chosen, the LCD display backlight will be turned OFF automatically.

Press the CONFIRM Key (6) to confirm the selection and exit to Stand-by mode or press the FUN Key (8) to confirm and return to the Menu selection.

However you can turn ON or OFF the LCD backlight anytime, by pressing the LAMP key (12).

BEP : Keypad Tone Setup

When a key is pressed, a beep tone is heard to confirm your command. The user may enable or disable this keypad program tone. In stand-by status, press the FUN Key (8) to enter the menu mode. The **SQL** indication and the Menu item **1** (L) will appear on the LCD display (5). Press the UP/DOWN (7) keys several times until the **BEP** indication (R) and the Menu item **3** (L) appear on the LCD display. Press the FUN key (8) to enter the BEP setup. Press the UP/DOWN keys (7) to select **ON** (Keypad tone enabled) or **OFF** (Keypad tone disabled). Press the CONFIRM Key (6) to confirm the selection and exit to Stand-by mode or press the FUN Key (8) to confirm and return to the Menu selection.

SCN : Channel Scanning ADDITION / DELETION Setup

Select the channel to be added to the scanning list, using the UP/DOWN keys (7). In stand-by status, press the FUN Key (8) to enter the menu mode. The **SQL** indication and the Menu item **1** (L) will appear on the LCD display (5). Press the UP/DOWN (7) keys several times until the **SCNADD (or SCNDEL)** indication (R) and the Menu item **4** (L) appear on the LCD display. Press the FUN key (8) to enter the SCN setup. Press the UP/DOWN keys (7) keys to choose the following options :

ADD : the selected channel will be added to the scanning list; the Channel Scanning Icon (O) will appear on the LCD display (5).

DEL : the selected channel will be removed from the scanning list; the Channel Scanning Icon (O) will disappear from the LCD display (5).

Press the CONFIRM Key (6) to confirm the selection and exit to Stand-by mode or press the FUN Key (8) to confirm and return to the Menu selection.

KY : Keypad Lock setup

In stand-by status, press the FUN Key (8) to enter the menu mode. The **SQL** indication and the Menu item **1** (L) will appear on the LCD display (5). Press the UP/DOWN (7) keys several times until the **KY** indication (R) and the Menu item **5** (L) appear on the LCD display. Press the FUN key (5) to enter the KY setup. Press the UP/DOWN keys (7) keys to choose the following options :

AUTO : Automatic Locking. When this option is chosen, the keyboard will be locked automatically when no operation is performed for about 30 seconds.

MANU : Manual Locking. When this option is chosen, the keyboard cannot be locked automatically.

Press the CONFIRM Key (6) to confirm the selection and exit to Stand-by mode or press the FUN Key (8) to confirm and return to the Menu selection.

Menu Operation - Automatic Channel Scanning

Press and hold the FUN Key (8) for about 2 seconds to lock or unlock the keypad.
If the Keypad lock function is enabled, the keylock icon (B) appears on the LCD display (5).

VOX : VOX Level Setup

Your radio is equipped with a user selectable Voice Operated Transmitter function (VOX), that is used for automatic voice transmission. In this mode, transmission is automatically initiated by speaking into the microphone (9) and there is no need to push the PTT key (11).

In stand-by status, press the FUN Key (8) to enter the menu mode. The **SQL** indication and the Menu item **1** (L) will appear on the LCD display (5). Press the UP/DOWN (7) keys several times until the **VOX** indication (R) and the Menu item **7** (L) appear on the LCD display. Press the FUN key (8) to enter the VOX setup. Press the UP/DOWN keys (7) keys to select the desired VOX sensitivity level (from **01** to **09**). The VOX level **09** indicates the highest VOX sensitivity.

Press the CONFIRM Key (6) to confirm the selection and exit to Stand-by mode or press the FUN Key (8) to confirm and return to the Menu selection.

If the VOX function is enabled, the VOX icon (N) appears on the LCD display (5).

To disable the VOX function, repeat the above procedure and select **OFF** in the VOX sensitivity level selection.

NAM : Channel Name ON/OFF

The Channel Naming function allows to assign an alphanumeric name to each channel. The channel name can be edited only if the Channel Naming function (**NAME ?**) is enabled with optional programming kit and it can have up to 6 digits. Please refer to CHANNEL NAMING SETUP on page 16.

The user may enable or disable the NAM function, by proceeding as follow :

in stand-by status, press the FUN Key (8) to enter the menu mode. The **SQL** indication and the Menu item **1** (L) will appear on the LCD display (5). Press the UP/DOWN (7) keys several times until the **NAM** indication (R) and the Menu item **8** (L) appear on the LCD display. Press the FUN key (8) to enter the NAM setup. Press the UP/DOWN keys (7) keys to select **ON** (function enabled) or **OFF** (function disabled). Press the CONFIRM Key (6) to confirm the selection and exit to Stand-by mode or press the FUN Key (8) to confirm and return to the Menu selection.

If the NAM function is enabled, the channel name will appear on the LCD display. Otherwise on the LCD will appear the indication **CH-** and the selected channel number.

POW : Transmitter Output Power setup

In stand-by status, press the FUN Key (8) to enter the menu mode. The **SQL** indication and the Menu item **1** (L) will appear on the LCD display (5). Press the UP/DOWN (7) keys several times until the **POW** indication (R) and the Menu item **9** (L) appear on the LCD display. Press the FUN key (8) to enter the POW setup. Press the UP/DOWN keys (7) to select **H** (High Power) or **L** (Low Power). Press the CONFIRM Key (6) to confirm the selection and exit to Stand-by mode or press the FUN Key (8) to confirm and return to the Menu selection. On the LCD display (5) will appear the H icon (S) or the L icon (T).

AUTOMATIC CHANNEL SCANNING

To start the Automatic Channel SCAN, press the FUN key (8) and the MONITOR key (13). SCAN will automatically stop when a signal is detected on one channel, in order to listen to the communication and SCAN will re-start when no more signal is detected on that channel for a few seconds.

During the scanning process, press the UP/DOWN keys (7) to choose the SCAN direction.

To stop the SCAN function press the PTT (11) or FUN (8) keys.

ADVANCED FUNCTIONS

These additional functions may be enabled only by using the optional programming kit.

SCR : SCRAMBLER Function

You can enjoy privacy of communication within your group, by enabling the SCRAMBLER function. To enable the SCRAMBLER function please proceed as follows :

In stand-by status, press the FUN Key (8) to enter the menu mode. The **SQL** indication and the Menu item **1** (L) will appear on the LCD display (5). Press the UP/DOWN (7) keys several times until the **SCR** indication (R) and the Menu item **6** (L) appear on the LCD display. Press the FUN key (8) to enter the SCR setup. Press the UP/DOWN keys (7) to select **ON** (Scrambler function enabled) or **OFF** (Scrambler function disabled). Press the CONFIRM Key (6) to confirm the selection and exit to Stand-by mode or press the FUN Key (8) to confirm and return to the Menu selection. If the SCRAMBLER function is enabled, the **SCR** icon (E) appears on the LCD display.

WARNING ! This function may be enabled with the optional PC programming kit.

Before enabling this function, please make sure that local regulations allow the use of this device.

MODE : Channel / Memory Mode Switch

In stand-by status, press the FUN Key (8) to enter the menu mode. The **SQL** indication and the Menu item **1** (L) will appear on the LCD display (5). Press the UP/DOWN (7) keys several times until the **MODE** indication (R) and the Menu item **10** (L) appear on the LCD display. Press the FUN key (8) to enter the MODE setup. Press the UP/DOWN keys (7) to select **CH** (Channel mode) or **MR** (Memory Mode). Press the CONFIRM Key (6) to confirm the selection and exit to Stand-by mode or press the FUN Key (8) to confirm and return to the Menu selection.

CH : Channel Mode / Channel Naming

MR : Memory Mode / Full frequency readout

Tone Squelch Function (CTCSS) / (DCS)

Any channel may be associated to a programmed private protection CTCSS/DCS tone. A CTCSS/DCS tone is a sub audible tone which allows to cut off and therefore not to listen to signals transmitted from other users on the same operating channel.

When you receive a signal which has a tone different from the one which has been programmed on your radio, you will not listen to this signal. For the same reason, your outgoing messages can only be received by other radios which have the same tone as yours on that channel.

Note : Even if the use of a CTCSS/DCS tone will protect you from receiving unwanted signals, the privacy of your transmissions is not guaranteed.

R : CTCSS / DCS RECEIVER SETUP

In stand-by status, press the FUN Key (8) to enter the menu mode. The **SQL** indication and the Menu item **1** (L) will appear on the LCD display (5). Press the UP/DOWN (7) keys several times until the **R** indication (R) and the Menu item **11** (L) appear on the LCD display. Press the FUN key (8) to enter the setup. Press the MONITOR Key (13) to switch between the **CTCSS** tone selection and **DCS** tone selection. In the DCS tone selection, the LCD display will show the indication **RD** and the DCS tone number. Press the UP/DOWN keys (7) keys to select the desired CTCSS / DCS Tone number or select **OFF** to disable the function. Press the CONFIRM Key (6) to confirm the selection and exit to Stand-by mode or press the FUN Key (8) to confirm and return to the Menu selection. In receiving mode, if the CTCSS / DCS functions are enabled, the CTCSS Icon (C) or DCS Icon (D) will appear on the LCD display (5).

T : CTCSS / DCS TRANSMITTER SETUP

In stand-by status, press the FUN Key (8) to enter the menu mode. The **SQL** indication and the Menu item **1** (L) will appear on the LCD display (5). Press the UP/DOWN (7) keys several times until the **T** indication (R) and the Menu item **12** (L) appear on the LCD display. Press the FUN key (8) to enter the T setup. Press the MONITOR Key (13) to switch between the **CTCSS** tone selection and **DCS** tone selection. In the DCS tone selection, the LCD display will show the indication **TD** and the DCS tone number. Press the UP/DOWN keys (7) keys to select the desired CTCSS / DCS Tone number or select **OFF** to disable the function. Press the CONFIRM Key (6) to confirm the selection and exit to Stand-by mode or press the FUN Key (8) to confirm and return to the Menu selection. In transmitting mode, if the CTCSS / DCS functions are enabled, the CTCSS Icon (C) or DCS Icon (D) will appear on the LCD display (5).

C : CTCSS / DCS SETUP (RECEIVING AND TRANSMITTING MODES)

In stand-by status, press the FUN Key (8) to enter the menu mode. The **SQL** indication and the Menu item **1** (L) will appear on the LCD display (5). Press the UP/DOWN (7) keys several times until the **C** indication (R) and the Menu item **13** (L) appear on the LCD display. Press the FUN key (8) to enter the C setup. Press the MONITOR Key (13) to switch between the **CTCSS** tone selection and **DCS** tone selection. In the DCS tone selection, the LCD display will show the indication **CD** and the DCS tone number. Press the UP/DOWN keys (7) keys to select the desired CTCSS / DCS Tone number or select **OFF** to disable the function. Press the CONFIRM Key (6) to confirm the selection and exit to Stand-by mode or press the FUN Key (8) to confirm and return to the Menu selection. If the CTCSS / DCS functions are enabled, the CTCSS Icon (C) or DCS Icon (D) will appear on the LCD display (5).

SAV : Power Save Setup

This function reduces the battery consumption when no signal is received or when no operation is performed (it means when no key is pressed, no switch is turned on/off). The user may enable or disable this function.

In stand-by status, press the FUN Key (8) to enter the menu mode. The **SQL** indication and the Menu item **1** (L) will appear on the LCD display (5). Press the UP/DOWN (7) keys several times until the **SAV** indication (R) and the Menu item **14** (L) appear on the LCD display. Press the FUN key (8) to enter the SAV setup. Press the UP/DOWN keys (7) to select **ON** (Power Save enabled) or **OFF** (Power Save disabled). Press the CONFIRM Key (6) to confirm the selection and exit to Stand-by mode or press the FUN Key (8) to confirm and return to the Menu selection.

SCAN : Automatic Scanning Setup

In stand-by status, press the FUN Key (8) to enter the menu mode. The **SQL** indication and the Menu item **1** (L) will appear on the LCD display (5). Press the UP/DOWN (7) keys several times until the **SCAN** indication (R) and the Menu item **15** (L) appear on the LCD display. Press the FUN key (8) to enter the SCN setup. Press the UP/DOWN keys (7) to select **CO** (Carrier Scan) or **TO** (Time Scan). Press the CONFIRM Key (6) to confirm the selection and exit to Stand-by mode or press the FUN Key (8) to confirm and return to the Menu selection.

To start the Automatic Channel SCAN, press the FUN key (8) and the MONITOR key (13).

CO (Carrier Scan) : If this option is selected, SCAN will automatically stop when a signal is detected on one channel, in order to listen to the communication and SCAN will re-start when no more signal is detected on that channel for a few seconds.

TO (Time Scan) : If this option is selected, SCAN will automatically stop when a signal is detected on one channel, and re-start automatically after a few seconds.

During the scanning process, press the UP/DOWN keys (7) to choose the SCAN direction. To stop the SCAN function press the PTT (11) or FUN (8) keys.

TOT : Time-Out-Timer Setup

This function has two purposes :

1. to allow, after a set time, to listen to other urgent calls.
2. avoid to transmit for an endless time, in order to prevent overheating or damage to the transceiver. After a programmable time of 30-240 seconds of uninterrupted transmission, the transceiver automatically stops the transmission emitting a warning tone (pre-set function). To stop the warning tone, release the PTT key (11). To restart the transmission, press again the PTT key (11).

To set up this function, in stand-by status, press the FUN Key (8) to enter the menu mode. The **SQL** indication and the Menu item **1** (L) will appear on the LCD display (5). Press the UP/DOWN (7) keys several times until the **TOT** indication (R) and the Menu item **16** (L) appear on the LCD display. Press the FUN key (8) to enter the TOT setup. Press the UP/DOWN keys (7) to select the desired time from **30** to **240** seconds or select **OFF** to disable the function. Press the CONFIRM Key (6) to confirm the selection and exit to Stand-by mode or press the FUN Key (8) to confirm and return to the Menu selection.

ANI : Identification Number Setup

In stand-by status, press the FUN Key (8) to enter the menu mode. The **SQL** indication and the Menu item **1** (L) will appear on the LCD display (5). Press the UP/DOWN (7) keys several times until the **ANI** indication (R) and the Menu item **17** (L) appear on the LCD display. Press the FUN key (8) to enter the ANI setup. Press the UP/DOWN keys (7) to select **ON** (function enabled) or **OFF** (function disabled). Press the CONFIRM Key (6) to confirm the selection and exit to Stand-by mode or press the FUN Key (8) to confirm and return to the Menu selection.

N/W : Narrow / Wide Bandwidth setup

In stand-by status, press the FUN Key (8) to enter the menu mode. The **SQL** indication and the Menu item **1** (L) will appear on the LCD display (5). Press the UP/DOWN (7) keys several times until the **N/W** indication (R) and the Menu item **18** (L) appear on the LCD display. Press the FUN key (8) to enter the N/W setup. Press the UP/DOWN keys (7) to select **NAR** (12.5 KHz Bandwidth) or **WID** (25 KHz Bandwidth). Press the CONFIRM Key (6) to confirm the selection and exit to Stand-by mode or press the FUN Key (8) to confirm and return to the Menu selection.

BUS : Busy Channel Lockout Setup

In stand-by status, press the FUN Key (8) to enter the menu mode. The **SQL** indication and the Menu item **1** (L) will appear on the LCD display (5). Press the UP/DOWN (7) keys several times until the **BUS** indication (R) and the Menu item **19** (L) appear on the LCD display. Press the FUN key (8) to enter the BUS setup. Press the UP/DOWN keys (7) to choose the desired option as follow :

CAR : when the radio is receiving a signal, you can't transmit at the same time.

QDT : when the radio is receiving a signal with the same CTCSS/DCS code, you can't transmit at the same time.

OFF : the function is disabled.

Press the CONFIRM Key (6) to confirm the selection and exit to Stand-by mode or press the FUN Key (8) to confirm and return to the Menu selection.

NAME ? : Channel Naming Setup

In stand-by status, press the FUN Key (8) to enter the menu mode. The **SQL** indication and the Menu item **1 (L)** will appear on the LCD display (5). Press the UP/DOWN (7) keys several times until the **NAME ?** indication (R) and the Menu item **20 (L)** appear on the LCD display. Press the FUN key (8) to edit the channel name; the first digit will blink on the LCD display. Press the UP/DOWN keys (7) to select the desired number or letter of the flashing digit and press the CONFIRM key (6) to edit the next digit. The selected digit will start flashing.

Press the FUN key (8) to confirm the channel name and press the CONFIRM key (6) to exit to Stand-by mode.

SPECIFICATIONS

General

Frequency	136 - 175 MHz (HT-174S) 400 - 470 MHz (HT-460S)
Channels	199
Channel spacing	12.5 / 25 KHz selectable
DC input voltage	7.4 VDC
Operating temperature	-20/+55°
Dimensions	mm 58 x 124 x 38
Weight	230 gr. (with battery pack and antenna)

Receiver

Sensitivity (12dB Sinad)	0.25 μ V
Audio output	500mW

Transmitter

RF output power	5W / 1W (HT-174S) 4W / 1W (HT-460S)
Modulation	FM
Spurious & Harmonics	in compliance with the R&TTE regulations

OPTIONAL ACCESSORIES

- LN-865 High capacity Li-Ion 7.2V 1800mAh rechargeable battery pack
- LP-865 High capacity Li-Poly 7.4V 1800mAh rechargeable battery pack
- KME-315 External Earset-Microphone with tie clip
- KME-614 External Earset-Microphone with adjustable ear hook
- KME-801 External Earset-Microphone for security and bodyguard
- KME-100A External Earset-Microphone with tie clip
- KME-200A External Earset-Microphone with flexible boom mic and tie clip
- KME-H115 External Speaker-Microphone (light duty)
- KST-301 External Speaker-Microphone (heavy duty)
- CDLS-HTHX Programming Kit (PC interface cable and software CD)

FREQUENCY / CHANNELS PROGRAMMING

CHANNEL	FREQUENCY TX	FREQUENCY RX	CTCSS / DCS TONE
1
2
3
4
5
6
7
8
9
10
11
12
13
14
15
16

User Information

in accordance with art. 13 of the Legislative Decree of 25th July 2005, no. 15 "Implementation of Directives 2002/95/EC, 2002/96/EC and 2003/108/EC, relative to reduction of the use of hazardous substances in electrical and electronic equipment, in addition to waste disposal".



The crossed bin symbol shown on the equipment indicates that at the end of its working life the product must be collected separately from other waste.

The user must therefore take the above equipment to the appropriate differentiated collection centres for electronic and electro technical waste, or return it to the dealer when purchasing a new appliance of equivalent type, in a ratio of one to one.

Appropriate differentiated waste collection for subsequent recycling, treatment and environment-friendly disposal of the discarded equipment helps to prevent possible negative environmental and health effects and encourages recycling of the component materials of the equipment.

Illegal disposal of the product by the user will be punished by application of the administrative fines provided for by the legislative decree no. 22/1997 (article 50 and following of the legislative decree no. 22/1997).

Indice - Importante	18
Informazioni per l' utente	19
Disimballaggio e verifica delle parti - Accessori forniti	20
Preparazione	21-23
Familiarizzare con il prodotto	24-27
Operazioni di base	27
Utilizzo del menu	27-30
Funzioni supplementari	30-34
Specifiche tecniche - Accessori opzionali	34
Programmazione canali - Avviso agli utenti	35
Avvertenze importanti	36
Garanzia limitata	36
Dichiarazione di Conformità HT-174S	37
Dichiarazione di Conformità HT-460S	38

IMPORTANTE !

Si raccomanda di leggere attentamente questo manuale prima di utilizzare il prodotto. Ciò aiuterà l' utente anche ad impedire di utilizzare la radio in violazione delle norme di legge in vigore nel paese dove il prodotto viene utilizzato e di evitare ogni possibile interferenza con altri servizi.

IMPORTANTE !

Questo ricetrasmittitore è stato pre-programmato in origine, al fine di consentire un test del prodotto dopo l'acquisto. E' responsabilità dell' utente riprogrammare la radio, nel rispetto delle norme tecniche in vigore per l' utilizzo sulle frequenze assegnate dalla autorizzazione ministeriale.

IMPORTANTE !

Questo ricetrasmittitore è programmabile tramite PC, utilizzando l'apposito software e cavetto di interfaccia (opzionali). L'eventuale programmazione o modifica della programmazione esistente deve essere eseguita da un tecnico specializzato o da un centro di assistenza autorizzato. Alcune funzioni del ricetrasmittitore potrebbero essere programmate in violazione delle norme tecniche in vigore per l'utilizzo delle bande VHF e UHF FM. E' responsabilità dell'utente verificare che eventuali modifiche nella programmazione delle funzioni del ricetrasmittitore siano conformi a quanto previsto dalle norme tecniche in vigore. Modifiche al prodotto, manomissioni, alterazione delle regolazioni interne o delle strutture esterne della radio e programmazioni in violazione delle norme di legge fanno decadere le certificazioni e omologazioni del prodotto ed il diritto all'utilizzo dello stesso.

INTEK s.r.l. declina qualsiasi responsabilità relativamente a modifiche della programmazione del ricetrasmittitore, eseguite dall'utente o da terzi, dopo la consegna del prodotto.

Grazie !

Vi ringraziamo per aver scelto INTEK per applicazioni civili. Siamo certi che questo ricetrasmittitore di facile uso vi consentirà di comunicare in modo affidabile e di svolgere le vostre attività professionali con la massima efficienza. Questo ricetrasmittitore incorpora la più avanzata tecnologia e sarete soddisfatti del suo livello di qualità e delle sue caratteristiche tecniche.

Avviso importante per l'utente !

L'utilizzo dei ricetrasmittitori VHF e UHF FM è regolato dalle norme di legge in vigore. Poiché le norme stesse sono soggette a possibili variazioni, prima di utilizzare gli apparecchi, si raccomanda di informarsi presso il proprio rivenditore o fornitore verificando gli eventuali adempimenti da osservare. INTEK declina qualsiasi responsabilità relativamente ad un uso degli apparecchi non autorizzato o non conforme alle norme di legge.

Sicurezza

L'utente deve conoscere e comprendere i rischi comuni legati all'uso di apparecchi ricetrasmittenti. Non utilizzate mai il ricetrasmittitore in ambienti a rischio di esplosione (in presenza di gas, polveri, fumi, etc.). Non utilizzare inoltre il ricetrasmittitore nelle aree di servizio o distributori di carburante.

Precauzioni

Si consiglia di osservare le seguenti precauzioni, al fine di evitare incendi, ferite personali e danni al ricetrasmittitore:

- Si suggerisce di trasmettere per alcuni minuti in quanto trasmissioni molto lunghe o alla massima potenza del trasmettitore potrebbero surriscaldare lo stesso.
- Non manomettere o modificare in alcun modo il ricetrasmittitore.
- Non esporre il ricetrasmittitore per lungo tempo alla luce solare diretta e non porlo vicino a fonti di calore.
- Non porre il ricetrasmittitore in luoghi eccessivamente polverosi o umidi, inoltre non porlo su superfici instabili.
- Se sentite un odore anomalo o se vedete del fumo fuoriuscire dal ricetrasmittitore, sporgetelo immediatamente e rimuovete il pacco batteria. Quindi contattate un centro di assistenza autorizzato.
- Non gettate batterie usate nella spazzatura. Utilizzate solo gli appositi contenitori per lo smaltimento.

Disimballaggio e verifica delle parti

Disimballate accuratamente il ricetrasmittitore. Si raccomanda di identificare tutte le parti elencate nella tabella seguente, prima di eliminare l'imballo. Se vi sono stati danni o mancanze durante la spedizione, contattate immediatamente il vostro fornitore.

Accessori forniti

Antenna in gomma con connettore SMA

Pacco batteria Li-Ion 1200mAh 7.4V

Caricabatterie rapido elettronico da tavolo 230VAC

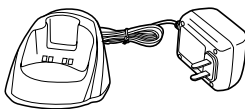
Clip da cintura

Chiusura per presa earset-mic

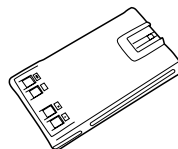
Manuale d'uso



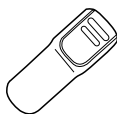
Antenna in gomma
con connettore SMA



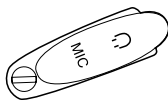
Caricabatterie rapido da tavolo



Pacco batterie Li-Ion



Clip da cintura

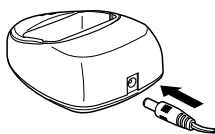


Chiusura in gomma per
presa earset-mic

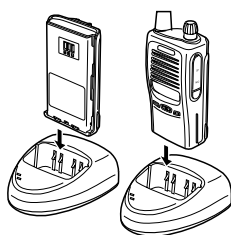


Manuale d'uso

Ricarica della batteria



Collegare l'adattatore 230V alla presa posta sul retro del caricatore da tavolo, come mostrato dal disegno. Collegare l' adattatore alla presa 230VAC. Il LED inizierà a lampeggiare in colore rosso.

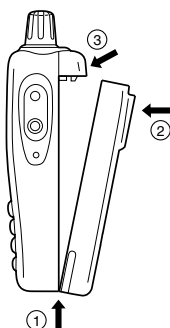


Inserire la batteria scarica o il ricetrasmittitore con la batteria installata nel caricabatteria. Assicurarsi che i terminali della batteria siano a contatto con quelli del caricatore. Il LED smetterà di lampeggiare e rimarrà acceso in colore rosso, quindi l'apparecchio si predispose per iniziare la ricarica automatica della batteria. Il tempo di ricarica dipende dallo stato di carica e dalla capacità della batteria. Quando la ricarica è stata completata, il LED sarà acceso in colore verde. A questo punto rimuovere la batteria o il ricetrasmittitore dal caricatore e scollegare quest'ultimo dalla rete elettrica.

Avvertenze !

- La batteria viene fornita scarica e deve essere quindi ricaricata prima dell'uso.
- Sono necessari alcuni cicli completi di carica/scarica affinché la batteria raggiunga il massimo livello di efficienza.
- La batteria non deve essere ricaricata nuovamente se è già stata completamente caricata. Diversamente, la vita della batteria può diminuire o la stessa essere danneggiata.
- Il caricabatterie non si spegne automaticamente dopo la ricarica pertanto rimuovere la batteria o il ricetrasmittitore dal caricatore e scollegare quest'ultimo dalla rete elettrica.
- **Non superare le 8 ore di ricarica, per evitare il danneggiamento della batteria.**

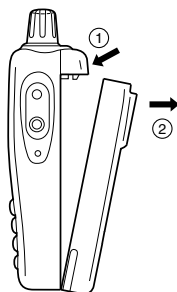
Installare la batteria



Far coincidere le 3 guide della batteria con le 3 scanalature corrispondenti poste alla base del ricetrasmittitore, come mostrato nel disegno (punto 1).

Spingere la batteria sul retro del ricetrasmittitore (punto 2) fino a quando il blocco posto nella parte alta della radio si aggancia e blocca la batteria (punto 3).

Rimuovere la batteria



Per rimuovere la batteria premere sul blocco posto nella parte alta della radio (punto 1) ed estrarla dalla stessa come mostrato nel disegno (punto 2).

Avvertenze !

- Non disperdere batterie esaurite nell'ambiente e non gettarle tra i rifiuti ordinari. Utilizzate gli appositi contenitori per la raccolta delle batterie usate o restituite le batterie da eliminare al vostro fornitore.
- Non tentare mai di rimuovere l'involucro della batteria.
- Non cortocircuitare i terminali della batteria e non gettare quest' ultima nel fuoco.

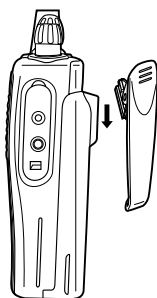
Installare l' antenna



Collegare l' antenna in dotazione al connettore posto sul lato superiore della radio, come mostrato nel disegno. Ruotarla delicatamente in senso orario fino a stringerla.

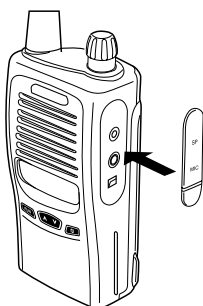
Attenzione : non toccare l' antenna con le mani e non avvicinarla a cavi microfonici durante la trasmissione in quanto ciò potrebbe causare danni ricetrasmittitore.

Installare la clip da cintura



Se necessario, applicare la clip da cintura al ricetrasmittitore, facendola scivolare nell'apposita scanalatura posta sul retro della batteria fino a quando il blocco metallico si aggancia. Per rimuovere la clip premere sul blocco metallico e farla scivolare via dalla batteria.

Installare la chiusura per la presa earset-mic

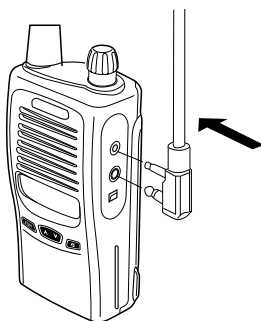


Se non si utilizza un microfono-altoparlante esterno, coprire la presa con il coperchio in gomma in dotazione.

Applicare il coperchio come mostrato nel disegno e fissarlo utilizzando la vite in dotazione.

Questa copertura assicura inoltre la tenuta stagna (anti spruzzo) del ricetrasmittitore, che non sarà quindi più garantita dopo la sua rimozione.

Installare un microfono esterno (opzionale)



Per poter installare il microfono esterno, occorre prima rimuovere la copertura fissata a protezione della presa per microfono/altoparlante esterno.

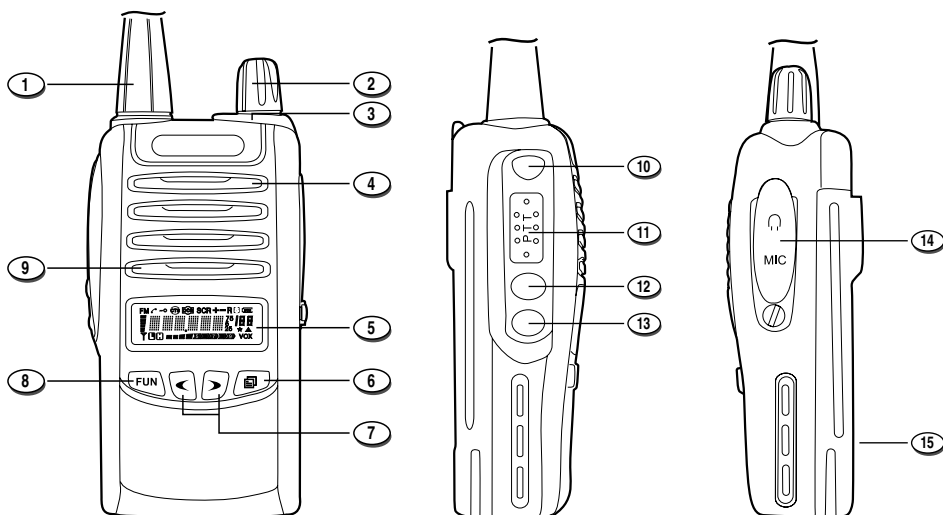
Inserire il connettore del microfono esterno nell'apposita presa.

Per evitare malfunzionamenti o danni al ricetrasmittitore, utilizzare esclusivamente microfoni originali. L'utilizzo di accessori diversi da quelli originali causa automaticamente la perdita del diritto alla garanzia.

Attenzione :

Se si utilizza un microfono esterno, il ricetrasmittitore non è più a tenuta stagna.

FAMILIARIZZARE CON IL PRODOTTO



1. Antenna

Antenna flessibile in gomma con connettore SMA.

2. Interruttore ON-OFF / Comando di volume

Ruotare la manopola in senso orario per accendere il ricetrasmittitore e in senso antiorario per spegnerlo. Ruotare la manopola in senso orario per aumentare il volume e in senso antiorario per diminuirlo.

3. Indicatore LED RX/TX

Questo indicatore LED bi-colore rosso-verde è acceso in colore verde quando la radio è in modalità ricezione e in colore rosso quando è in modalità trasmissione.

4. Altoparlante

Altoparlante entro contenuto.

5. Display LCD

Display LCD a matrice di punti, retroilluminato, consente la visualizzazione completa di tutte le funzioni attivate e di tutte le informazioni impostabili dall'utente.

6. Tasto CONFERMA

Nelle operazioni del menu, consente di confermare le selezioni e ritornare in modalità Stand-by.

7. Tasti UP/DOWN

Tasti per la selezione dei canali. Nelle operazioni del menu consentono la selezione delle varie funzioni.

8. Tasto FUN (Menu)

Tasto funzione per l'accesso al Menu e alle varie funzioni della radio.

9. Microfono

Microfono entro contenuto.

10. Tasto Allarme di emergenza

Premere questo tasto per inviare un allarme sonoro di emergenza. Premere il tasto PTT (11) per cessare l'allarme.

11. Tasto PTT (Push-To-Talk)

Per effettuare una chiamata, premere e tenere premuto il tasto PTT (11), quindi parlare nel microfono (9) con un volume di voce normale. Rilasciare il tasto PTT (11) per ricevere.

12. Tasto LAMP

Premere questo tasto per attivare l'illuminazione del display LCD (5). Ripremere il tasto per disattivarla.

13. Tasto MONITOR

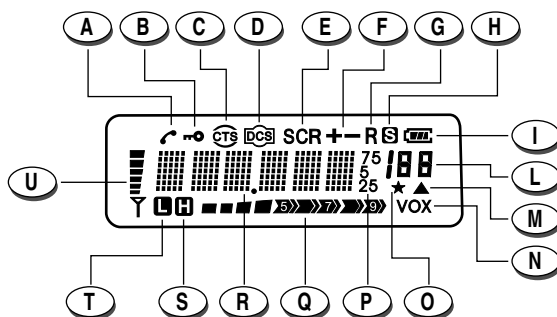
Premere questo tasto per aprire lo Squelch e ascoltare quindi il rumore di fondo. Rilasciare il tasto Monitor (13) per richiudere lo Squelch.

14. Copertura della presa Earset-mic

Coperchio di gomma in dotazione che consente di coprire la presa per microfono esterno e quindi di rendere la radio a tenuta stagna.

15. Contatti per caricabatterie da tavolo

LCD DISPLAY



A. Icona ANI

L'icona ANI (A) è accesa quando la funzione ANI (Identification Number) è attiva. Fare riferimento al paragrafo ANI a pag. 33.

B. Icona blocco tastiera (Key Lock)

L'icona (B) è accesa quando è inserito il blocco della tastiera. Fare riferimento al paragrafo IMPOSTAZIONE BLOCCO TASTIERA a pag. 29.

C. Icona CTS

L' icona CTS (C) è accesa quando è attiva la funzione CTCSS. Fare riferimento al paragrafo IMPOSTAZIONE DELLA FUNZIONE TONE SQUELCH a pag. 31.

D. Icona DCS

L' icona DCS (D) è accesa quando è attiva la funzione DCS. Fare riferimento al paragrafo IMPOSTAZIONE DELLA FUNZIONE TONE SQUELCH a pag. 31.

E. Icona SCR

L' icona SCR (E) è accesa quando la funzione SCRAMBLER è attivata.

Questa funzione può essere attivata tramite kit di programmazione opzionale. Prima di abilitare questa funzione, assicurarsi che le norme tecniche in vigore nel paese di utilizzo ne consentano l' uso.

F. Icona + -

Le icone + e - indicano se la frequenza di trasmissione è più alta (+) o più bassa (-) della frequenza di ricezione sul canale in uso.

G. Icona R

Non disponibile in questo modello.

H. Icona S

L' icona S (H) è accesa quando è attiva la funzione di risparmio energetico Power Save. Fare riferimento al paragrafo IMPOSTAZIONE DELLA FUNZIONE POWER SAVE a pag. 32.

I. Indicatore di stato di carica della batteria

Indica lo stato della carica della batteria, in 3 livelli.

Se l' indicatore di carica (I) lampeggia, è necessario procedere alla ricarica della batteria.

L. Indicazione numerica

Indica il numero del canale selezionato. Nella modalità menu indica il numero della funzione visualizzata in quel momento.

M. Icona Narrow Band (12.5 KHz)

Questa icona indica la canalizzazione di 12.5 KHz. Fare riferimento al paragrafo N/W IMPOSTAZIONE DELLA CANALIZZAZIONE a pag. 33.

N. Icona VOX

L' icona VOX (N) è accesa quando è attiva la funzione VOX (uso a mani libere). Fare riferimento al paragrafo IMPOSTAZIONE DELLA FUNZIONE VOX a pag. 29.

O. Icona Scansione Automatica dei canali

Questa icona è accesa quando il canale selezionato è programmato nella lista di scansione. Fare riferimento al paragrafo SCANSIONE CANALI a pag. 28-29.

P. Indicazione decimali di frequenza (25-5-75)

Questa indicazione è abilitata solamente durante la visualizzazione della frequenza (Memory Mode). Fare riferimento al paragrafo MODE a pag. 31.

Q. Strumento a barre RF Meter

Indica la potenza RF di uscita del trasmettitore.

R. **Indicazione a matrice di punti**

Indicazione del canale e di tutte le funzioni impostate. La visualizzazione è del tipo a matrice di punti.

S. **Icona H**

L' icona H (S) è accesa quando il trasmettitore è in modalità alta potenza.

T. **Icona L**

L' icona L (T) è accesa quando il trasmettitore è in modalità bassa potenza.

U. **Strumento a barre S-Meter**

indica l' intensità del segnale in ricezione. In assenza di segnale, l' indicatore è spento.

OPERAZIONI DI BASE

Accensione

Accendere il ricetrasmittitore ruotando in senso orario la manopola ON-OFF/Volume (2) fino a quando non si sente un click, il ricetrasmittitore è ora nella modalità stand-by.

La radio emetterà un beep e per un istante tutte le indicazioni del display saranno illuminate, a conferma del corretto funzionamento della radio.

Regolazione del volume

Per regolare il volume, ruotare la manopola ON-OFF/Volume (2) mentre si utilizza il tasto Monitor (13) per poter ascoltare il rumore di fondo dei canali.

Selezione dei canali

In modalità Stand-By, per selezionare il canale desiderato, premere i tasti UP/DOWN (7).

Trasmissione

Per effettuare una chiamata, premere il tasto PTT (11) e parlare con un volume di voce normale, tenendo il microfono (9) a circa 4 cm dalla vostra bocca. L' indicatore LED (3) sarà acceso in colore rosso. Rilasciare il tasto PTT (11) al termine della conversazione.

Se la funzione VOX è attivata, per trasmettere è sufficiente parlare nel microfono (9). Terminata la conversazione, la radio passerà automaticamente in ricezione.

Ricezione

Rilasciando il tasto PTT (11) e regolando opportunamente il volume, sarà possibile ascoltare il segnale in arrivo. Durante la ricezione di una comunicazione, l' indicatore LED (2) sarà acceso in colore verde.

UTILIZZO DEL MENU

Nella modalità Stand-By, premere il tasto FUN (8) per entrare nella modalità menu. Utilizzare i tasti UP/DOWN (7) per selezionare le varie funzioni del menu e confermare la scelta premendo il tasto CONFERMA (6). Le varie funzioni del menu vengono conteggiate dall' indicatore numerico (L).

Nella modalità menu, se non viene premuto alcun tasto in un lasso di tempo di circa 10 secondi, la radio tornerà automaticamente in modalità Stand-by.

1. **Sequenza delle funzioni del menu**

La sequenza delle funzioni del menu è la seguente :

SQL (Squelch) ---> LED (Impostazione illuminazione LCD) --> BEP (tono di tastiera ON/OFF) --> SCN

(selezione lista dei canali di scansione) --> KY (impostazione blocco tastiera) --> VOX (livello sensibilità VOX) --> NAM (Channel Naming ON/OFF)--> POW (regolazione potenza High-Low).

2. Tasti funzione

Tasto FUN (8) : premendo questo tasto si accede direttamente alle funzioni del menu.

Tasti UP/DOWN (7) : questi tasti consentono la selezione delle funzioni desiderate.

Tasto CONFERMA (6) : questo tasto conferma la selezione delle funzioni o dei parametri desiderati.

SQL : Impostazione del livello di Squelch

In modalità Stand-by, premere il tasto FUN (8) per entrare in modalità Menu. L' indicazione **SQL** (R) e il numero di funzione **1** (L) compariranno sul display LCD (5). Premere il tasto FUN (8) per entrare nel settaggio della funzione Squelch. Premere i tasti UP/DOWN (7) per selezionare il livello di Squelch desiderato da **00** (Squelch aperto) a **09**. Se viene selezionato il livello **00**, lo Squelch sarà aperto e sarà così possibile ascoltare il rumore di fondo. Premere il tasto CONFERMA (6) per confermare la selezione e tornare in modalità Stand-by oppure premere il tasto FUN (8) per confermare e ritornare in modalità Menu.

LED : Impostazione dell' illuminazione del display LCD

In modalità Stand-by, premere il tasto FUN (8) per entrare in modalità Menu. L' indicazione **SQL** (R) e il numero di funzione **1** (L) compariranno sul display LCD (5). Premere i tasti UP/DOWN (7) più volte finché l' indicazione **LED** (R) e il numero **2** (L) compariranno sul display LCD e confermare premendo il tasto FUN (8). Premere i tasti UP/DOWN (7) per selezionare una delle 3 opzioni disponibili tra **AUT**, **ON** e **OFF**, come segue :

AUT : l' illuminazione del display si accende non appena viene premuto uno qualsiasi dei tasti.

ON : l' illuminazione del display è sempre accesa.

OFF : l' illuminazione del display è sempre spenta.

Premere il tasto CONFERMA (6) per confermare la selezione desiderata e tornare in modalità Stand-by oppure premere il tasto FUN (8) per confermare e ritornare in modalità Menu.

E' comunque possibile, in qualsiasi momento, accendere o spegnere l' illuminazione del display, premendo il tasto LAMP (12).

BEP : Impostazione del tono di tastiera

Ogni qualvolta viene premuto un tasto della radio, un tono beep è prodotto per confermare il comando inserito. Questa nota musicale può essere attivata o disattivata dall'utente.

In modalità Stand-by, premere il tasto FUN (8) per entrare in modalità Menu. L' indicazione **SQL** (R) e il numero di funzione **1** (L) compariranno sul display LCD (5). Premere i tasti UP/DOWN (7) più volte finché l' indicazione **BEP** (R) e il numero di funzione **3** (L) compariranno sul display LCD e confermare premendo il tasto FUN (8). Premere i tasti UP/DOWN (7) per selezionare **ON** (tono beep attivato) oppure **OFF** (tono beep disattivato). Premere il tasto CONFERMA (6) per confermare la selezione desiderata e tornare in modalità Stand-by oppure premere il tasto FUN (8) per confermare e ritornare in modalità Menu.

SCN : Scansione dei canali (INSERIMENTO / CANCELLAZIONE)

Questa funzione consente di inserire od eliminare un canale dalla lista di scansione. Selezionare il canale desiderato tramite i tasti UP/DOWN (7). In modalità Stand-by, premere il tasto FUN (8) per entrare in modalità Menu. L' indicazione **SQL** (R) e il numero di funzione **1** (L) compariranno sul display LCD (5).

Premere i tasti UP/DOWN (7) più volte finchè l' indicazione **SCNADD** (o **SCNDEL**) (R) e il numero di funzione **4** (L) compariranno sul display LCD e confermare premendo il tasto FUN (8). Premere i tasti UP/DOWN (7) per selezionare le seguenti opzioni :

ADD : il canale selezionato verrà aggiunto alla lista di scansione; l' icona di scansione (O) comparirà sul display LCD (5).

DEL : il canale selezionato verrà cancellato dalla lista di scansione; l' icona di scansione (O) scomparirà dal display LCD (5).

Premere il tasto CONFERMA (6) per confermare la selezione desiderata e tornare in modalità Stand-by oppure premere il tasto FUN (8) per confermare e ritornare in modalità Menu.

KY : Impostazione del blocco di tastiera

In modalità Stand-by, premere il tasto FUN (8) per entrare in modalità Menu. L' indicazione **SQL** (R) e il numero di funzione **1** (L) compariranno sul display LCD (5). Premere i tasti UP/DOWN (7) più volte finchè l' indicazione **KY** (R) e il numero di funzione **5** (L) compariranno sul display LCD e confermare premendo il tasto FUN (8). Premere i tasti UP/DOWN (7) per selezionare le seguenti opzioni :

AUTO : il blocco tastiera verrà inserito automaticamente se nessuna operazione viene eseguita in un lasso di tempo di circa 30 secondi.

MANU : il blocco tastiera verrà inserito manualmente mantenendo premuto il tasto FUN (8) per circa 2 secondi. Per sbloccare la tastiera ripetere l' operazione.

Se il blocco tastiera è attivato, sul display compare l' icona (B).

Premere il tasto CONFERMA (6) per confermare la selezione desiderata e tornare in modalità Stand-by oppure premere il tasto FUN (8) per confermare e ritornare in modalità Menu.

VOX : Impostazione del livello di VOX

La radio dispone della funzione VOX, che può essere utilizzata per una trasmissione di voce automatica (uso a mani libere). In questa modalità, la trasmissione inizia automaticamente parlando nel microfono (9). Non c' è bisogno quindi di premere il tasto PTT (11).

In modalità Stand-by, premere il tasto FUN (8) per entrare in modalità Menu. L' indicazione **SQL** (R) e il numero di funzione **1** (L) compariranno sul display LCD (5). Premere i tasti UP/DOWN (7) più volte finchè l' indicazione **VOX** (R) e il numero di funzione **7** (L) compariranno sul display LCD e confermare premendo il tasto FUN (8). Premere i tasti UP/DOWN (7) per selezionare il livello di sensibilità desiderato da **01** (sensibilità più bassa) a **09** (sensibilità più alta). Selezionando **OFF**, la funzione viene disabilitata. Premere il tasto CONFERMA (6) per confermare la selezione desiderata e tornare in modalità Stand-by oppure premere il tasto FUN (8) per confermare e ritornare in modalità Menu.

Se la funzione VOX è abilitata, sul display compare l' icona VOX (N).

NAM : Nome del canale ON/OFF

Questa funzione consente di associare un nome alfanumerico a ciascun canale. Il nome del canale può essere inserito (editato) attivando la funzione Channel Naming tramite kit di programmazione opzionale e può avere un massimo di 6 caratteri. Fare riferimento al paragrafo IMPOSTAZIONE DELLA FUNZIONE CHANNEL NAMING a pag. 33-34.

L' utente può abilitare o disabilitare la funzione NAM procedendo come descritto di seguito :

In modalità Stand-by, premere il tasto FUN (8) per entrare in modalità Menu. L' indicazione **SQL** (R) e il numero di funzione **1** (L) compariranno sul display LCD (5). Premere i tasti UP/DOWN (7) più volte finchè l' indicazione **NAM** (R) e il numero di funzione **8** (L) compariranno sul display LCD e confermare

premendo il tasto FUN (8). Premere i tasti UP/DOWN (7) per selezionare **ON** (funzione attivata) oppure **OFF** (funzione disattivata).

Premere il tasto CONFERMA (6) per confermare la selezione desiderata e tornare in modalità Stand-by oppure premere il tasto FUN (8) per confermare e ritornare in modalità Menu.

Se la funzione NAM è abilitata, il nome del canale comparirà sul display LCD. Se la funzione NAM è disattivata, sul display comparirà l' indicazione **CH-** seguita dal numero del canale.

POW : Impostazione della potenza di trasmissione

In modalità Stand-by, premere il tasto FUN (8) per entrare in modalità Menu. L' indicazione **SQL** (R) e il numero di funzione **1** (L) compariranno sul display LCD (5). Premere i tasti UP/DOWN (7) più volte finché l' indicazione **POW** (R) e il numero di funzione **9** (L) compariranno sul display LCD e confermare premendo il tasto FUN (8). Premere i tasti UP/DOWN (7) per selezionare **H** (alta potenza) o **L** (bassa potenza). Premere il tasto CONFERMA (6) per confermare la selezione desiderata e tornare in modalità Stand-by oppure premere il tasto FUN (8) per confermare e ritornare in modalità Menu.

Sul display LCD compariranno le icone H (S) o L (T).

SCANSIONE AUTOMATICA

Per attivare la scansione automatica dei canali, premere il tasto FUN (8) seguito dal tasto MONITOR (13). La scansione si arresta automaticamente sul primo canale attivo trovato, per permettere l' ascolto della comunicazione e riparte automaticamente dopo pochi secondi dal termine della stessa.

Durante la scansione automatica, premere i tasti UP/DOWN (7) per selezionare la direzione della scansione.

Per cessare la scansione automatica, premere i tasti FUN (8) o PTT (11).

FUNZIONI SUPPLEMENTARI

Queste funzioni aggiuntive, possono essere attivate solo utilizzando il kit di programmazione opzionale.

SCR : Funzione SCRAMBLER

Attivando questa funzione è possibile ottenere conversazioni private all' interno del proprio gruppo di utenti, sfruttando uno speciale sistema di codifica del segnale. La funzione può essere però utilizzata esclusivamente con altri apparecchi dello stesso modello. Per abilitare la funzione SCRAMBLER, procedere come descritto di seguito :

In modalità Stand-by, premere il tasto FUN (8) per entrare in modalità Menu. L' indicazione **SQL** (R) e il numero di funzione **1** (L) compariranno sul display LCD (5). Premere i tasti UP/DOWN (7) più volte finché l' indicazione **BEP** (R) e il numero di funzione **6** (L) compariranno sul display LCD e confermare premendo il tasto FUN (8). Premere i tasti UP/DOWN (7) per selezionare **ON** (funzione SCRAMBLER abilitata) oppure **OFF** (funzione SCRAMBLER disabilitata). Premere il tasto CONFERMA (6) per confermare la selezione desiderata e tornare in modalità Stand-by oppure premere il tasto FUN (8) per confermare e ritornare in modalità Menu.

Se la funzione SCRAMBLER è abilitata, l' icona **SCR** (E) compare sul display LCD.

ATTENZIONE ! Questa funzione può essere attivata tramite kit di programmazione opzionale.

Prima di abilitare questa funzione, assicurarsi che le norme tecniche in vigore nel paese di utilizzo ne consentano l' uso.

MODE : Modalità Canale / Modalità memoria (visualizzazione frequenza)

In modalità Stand-by, premere il tasto FUN (8) per entrare in modalità Menu. L' indicazione **SQL** (R) e il numero di funzione **1** (L) compariranno sul display LCD (5). Premere i tasti UP/DOWN (7) più volte finché l' indicazione **MODE** (R) e il numero di funzione **10** (L) compariranno sul display LCD e confermare premendo il tasto FUN (8). Premere i tasti UP/DOWN (7) per selezionare **CH** (modalità canale) oppure **MR** (modalità frequenza). Premere il tasto CONFERMA (6) per confermare la selezione desiderata e tornare in modalità Stand-by oppure premere il tasto FUN (8) per confermare e ritornare in modalità Menu.

CH : Channel Mode, visualizzazione canale / nome del canale

MR : Memory Mode, visualizzazione della frequenza

Impostazione della funzione Tone Squelch (CTCSS) / (DCS)

Ogni canale può essere associato ad un tono di protezione CTCSS/DCS pre-programmato. Un tono CTCSS/DCS è un tono non udibile che permette di escludere (e quindi di non ascoltare) comunicazioni da altri ricetrasmittitori che stanno usando lo stesso canale.

Quando si riceve un segnale che ha un tono diverso da quello impostato sul vostro ricetrasmittitore, non si sentirà. Allo stesso modo, i segnali che voi trasmettete potranno essere ascoltati solo dai ricetrasmittitori che hanno il vostro stesso tono CTCSS/DCS.

Nota : Anche se l' utilizzo di un canale CTCSS/DCS vi permette di non ricevere segnali non desiderati, ciò non significa che le vostre chiamate saranno private (riservate).

R : IMPOSTAZIONE DELLA FUNZIONE CTCSS / DCS IN RICEZIONE

In modalità Stand-by, premere il tasto FUN (8) per entrare in modalità Menu. L' indicazione **SQL** (R) e il numero di funzione **1** (L) compariranno sul display LCD (5). Premere i tasti UP/DOWN (7) più volte finché l' indicazione **R** (R) e il numero di funzione **11** (L) compariranno sul display LCD e confermare premendo il tasto FUN (8). Premere il tasto MONITOR (13) per passare dalla selezione dei toni **CTCSS** alla selezione dei toni **DCS**. Nella selezione dei toni DCS, il display visulizzerà l' indicazione **RD** seguita dal numero del tono DCS. Premere i tasti UP/DOWN (7) per selezionare il tono CTCSS / DCS desiderato o selezionare **OFF** per disabilitare la funzione.

Premere il tasto CONFERMA (6) per confermare la selezione desiderata e tornare in modalità Stand-by oppure premere il tasto FUN (8) per confermare e ritornare in modalità Menu.

In modalità ricezione, se le funzioni CTCSS / DCS sono abilitate, sul display LCD (5) comparirà l' icona CTCSS (C) o DCS (D).

T : IMPOSTAZIONE DELLA FUNZIONE CTCSS / DCS IN TRASMISSIONE

In modalità Stand-by, premere il tasto FUN (8) per entrare in modalità Menu. L' indicazione **SQL** (R) e il numero di funzione **1** (L) compariranno sul display LCD (5). Premere i tasti UP/DOWN (7) più volte finché l' indicazione **R** (R) e il numero di funzione **12** (L) compariranno sul display LCD e confermare premendo il tasto FUN (8). Premere il tasto MONITOR (13) per passare dalla selezione dei toni **CTCSS** alla selezione dei toni **DCS**. Nella selezione dei toni DCS, il display visulizzerà l' indicazione **TD** seguita dal numero del tono DCS. Premere i tasti UP/DOWN (7) per selezionare il tono CTCSS / DCS desiderato o selezionare **OFF** per disabilitare la funzione.

Premere il tasto CONFERMA (6) per confermare la selezione desiderata e tornare in modalità Stand-by oppure premere il tasto FUN (8) per confermare e ritornare in modalità Menu.

In modalità ricezione, se le funzioni CTCSS / DCS sono abilitate, sul display LCD (5) comparirà l' icona CTCSS (C) o DCS (D).

C : IMPOSTAZIONE DELLA FUNZIONE CTCSS / DCS IN TRASMISSIONE E RICEZIONE

In modalità Stand-by, premere il tasto FUN (8) per entrare in modalità Menu. L' indicazione **SQL** (R) e il numero di funzione **1** (L) compariranno sul display LCD (5). Premere i tasti UP/DOWN (7) più volte finché l' indicazione **C** (R) e il numero di funzione **13** (L) compariranno sul display LCD e confermare premendo il tasto FUN (8). Premere il tasto MONITOR (13) per passare dalla selezione dei toni **CTCSS** alla selezione dei toni **DCS**. Nella selezione dei toni DCS, il display visualizzerà l' indicazione **CD** seguita dal numero del tono DCS. Premere i tasti UP/DOWN per selezionare il tono CTCSS / DCS desiderato o selezionare **OFF** per disabilitare la funzione.

Premere il tasto CONFERMA (6) per confermare la selezione desiderata e tornare in modalità Stand-by oppure premere il tasto FUN (8) per confermare e ritornare in modalità Menu.

Se le funzioni CTCSS / DCS sono abilitate, sul display LCD (5) comparirà l' icona CTCSS (C) o DCS (D).

SAV : Impostazione della funzione Power Save

Questa funzione diminuisce il consumo della batteria quando non viene ricevuto alcun segnale o quando non viene compiuta alcuna operazione (cioè non si premono tasti e non si accendono/spengono interruttori). Questa funzione può essere attivata o disattivata dall' utente.

Quando un segnale viene ricevuto o quando si compie un' operazione, questa funzione si disattiva.

In modalità Stand-by, premere il tasto FUN (8) per entrare in modalità Menu. L' indicazione **SQL** (R) e il numero di funzione **1** (L) compariranno sul display LCD (5). Premere i tasti UP/DOWN (7) più volte finché l' indicazione **SAV** (R) e il numero di funzione **14** (L) compariranno sul display LCD e confermare premendo il tasto FUN (8). Premere i tasti UP/DOWN (7) per selezionare **ON** (funzione Power Save abilitata) oppure **OFF** (funzione Power Save disabilitata). Premere il tasto CONFERMA (6) per confermare la selezione desiderata e tornare in modalità Stand-by oppure premere il tasto FUN (8) per confermare e ritornare in modalità Menu.

SCAN : Impostazione della Scansione Automatica dei canali

In modalità Stand-by, premere il tasto FUN (8) per entrare in modalità Menu. L' indicazione **SQL** (R) e il numero di funzione **1** (L) compariranno sul display LCD (5). Premere i tasti UP/DOWN (7) più volte finché l' indicazione **SCAN** (R) e il numero di funzione **15** (L) compariranno sul display LCD e confermare premendo il tasto FUN (8). Premere i tasti UP/DOWN (7) per selezionare **CO** (Carrier Scan) oppure **TO** (Time Scan). Premere il tasto CONFERMA (6) per confermare la selezione desiderata e tornare in modalità Stand-by oppure premere il tasto FUN (8) per confermare e ritornare in modalità Menu.

Per attivare la scansione automatica dei canali, premere il tasto FUN (8) seguito dal tasto MONITOR (13).

CO (Carrier Scan) : se viene selezionata questa opzione, la scansione si arresta automaticamente sul primo canale attivo trovato, per permettere l' ascolto della comunicazione e riparte automaticamente dopo pochi secondi dal termine della stessa.

TO (Time Scan) : se viene selezionata questa opzione, la scansione si arresta automaticamente sul primo canale attivo trovato, ma riparte automaticamente dopo alcuni secondi.

Durante la scansione automatica, premere i tasti UP/DOWN (7) per selezionare la direzione della scansione. Per cessare la scansione automatica, premere i tasti FUN (8) o PTT (11).

TOT : Impostazione della funzione Time-Out-Timer

Lo scopo di questa funzione è duplice :

1. permettere dopo un tempo prefissato l'ascolto di altre chiamate urgenti.
2. evitare la trasmissione per un tempo illimitato, al fine di prevenire surriscaldamento o danni del

ricetrasmittitore. Dopo un tempo programmabile (da 30 a 240 secondi) di trasmissione ininterrotta, il ricetrasmittitore interrompe automaticamente la trasmissione emettendo un suono di avviso. Per interrompere il suono di avviso, rilasciare il tasto PTT (11). Per riprendere la trasmissione, premere nuovamente il tasto PTT (11).

Per impostare questa funzione, in modalità Stand-by, premere il tasto FUN (8) per entrare in modalità Menu. L'indicazione **SQL** (R) e il numero di funzione **1** (L) compariranno sul display LCD (5). Premere i tasti UP/DOWN (7) più volte finché l'indicazione **TOT** (R) e il numero di funzione **16** (L) compariranno sul display LCD e confermare premendo il tasto FUN (8). Premere i tasti UP/DOWN (7) per selezionare il tempo desiderato da **30** a **240** secondi oppure selezionare **OFF** per disabilitare la funzione. Premere il tasto CONFERMA (6) per confermare la selezione desiderata e tornare in modalità Stand-by oppure premere il tasto FUN (8) per confermare e ritornare in modalità Menu.

ANI : Impostazione della funzione di identificazione del chiamante (Identification Number)

In modalità Stand-by, premere il tasto FUN (8) per entrare in modalità Menu. L'indicazione **SQL** (R) e il numero di funzione **1** (L) compariranno sul display LCD (5). Premere i tasti UP/DOWN (7) più volte finché l'indicazione **ANI** (R) e il numero di funzione **17** (L) compariranno sul display LCD e confermare premendo il tasto FUN (8). Premere i tasti UP/DOWN (7) per selezionare **ON** (funzione ANI abilitata) oppure **OFF** (funzione ANI disabilitata).

Premere il tasto CONFERMA (6) per confermare la selezione desiderata e tornare in modalità Stand-by oppure premere il tasto FUN (8) per confermare e ritornare in modalità Menu.

N/W : Impostazione della canalizzazione Narrow / Wide (12.5 KHz / 25 KHz)

In modalità Stand-by, premere il tasto FUN (8) per entrare in modalità Menu. L'indicazione **SQL** (R) e il numero di funzione **1** (L) compariranno sul display LCD (5). Premere i tasti UP/DOWN (7) più volte finché l'indicazione **N/W** (R) e il numero di funzione **18** (L) compariranno sul display LCD e confermare premendo il tasto FUN (8). Premere i tasti UP/DOWN (7) per selezionare **NAR** (canalizzazione 12.5 KHz) o **WID** (canalizzazione 25 KHz). Premere il tasto CONFERMA (6) per confermare la selezione desiderata e tornare in modalità Stand-by oppure premere il tasto FUN (8) per confermare e ritornare in modalità Menu.

BUS : Impostazione della funzione Busy Channel Lockout

In modalità Stand-by, premere il tasto FUN (8) per entrare in modalità Menu. L'indicazione **SQL** (R) e il numero di funzione **1** (L) compariranno sul display LCD (5). Premere i tasti UP/DOWN (7) più volte finché l'indicazione **BUS** (R) e il numero di funzione **19** (L) compariranno sul display LCD e confermare premendo il tasto FUN (8). Premere i tasti UP/DOWN (7) per selezionare l'opzione esiderata, tra le seguenti :

CAR : se la radio sta ricevendo un segnale, non è possibile trasmettere nello stesso momento.

QDT : se la radio sta ricevendo un segnale con lo stesso tono CTCSS/DCS impostato, non è possibile trasmettere nello stesso momento.

OFF : funzione Busy Channel Lockout disabilitata.

Premere il tasto CONFERMA (6) per confermare la selezione desiderata e tornare in modalità Stand-by oppure premere il tasto FUN (8) per confermare e ritornare in modalità Menu.

NAME ? : Impostazione della funzione Channel Naming (dare il nome ad un canale)

In modalità Stand-by, premere il tasto FUN (8) per entrare in modalità Menu. L'indicazione **SQL** (R) e il numero di funzione **1** (L) compariranno sul display LCD (5). Premere i tasti UP/DOWN (7) più volte

finchè l' indicazione **NAME ? (R)** e il numero di funzione **20 (L)** compariranno sul display LCD.

Premere il tasto **FUN (8)** per editare il nome del canale; il primo digit del nome inizierà a lampeggiare sul display LCD. Premere i tasti **UP/DOWN (7)** per selezionare il carattere desiderato e premere il tasto **CONFERMA (6)** per passare al digit successivo, il quale inizierà a lampeggiare.

Premere il tasto **FUN (8)** per confermare il nome inserito e premere il tasto **CONFIRM (6)** per tornare in modalità Stand-by.

Per visualizzare i nomi dei canali è necessario attivare la funzione Channel Naming (**NAM**).

Fare riferimento al paragrafo **NAM : NOME DEL CANALE ON/OFF** a pag. 29-30.

SPECIFICHE TECNICHE

Generali

Gamma di frequenza	136 - 175 MHz (HT-174S) 400 - 470 MHz (HT-460S)
Canali	199
Canalizzazione	12.5 / 25KHz selezionabile
Tensione di alimentazione	7.4 VDC
Temperatura di funzionamento	-20/+55°
Dimensioni	mm 58 x 124 x 38
Peso	230 gr. (con batteria e antenna)

Ricevitore

Sensibilità (12dB Sinad)	0.25 μ V
Uscita audio	500mW

Trasmittitore

Potenza di uscita	5W / 1W (HT-174S) 4W / 1W (HT-460S)
Modulazione	FM
Soppressione spurie	secondo le normative R&TTE

ACCESSORI OPZIONALI

- LN-865 Pacco batterie ricaricabile Li-Ion ad alta capacità 7.2V 1800mAh
- LP-865 Pacco batterie ricaricabile Li-Poly ad alta capacità 7.4V 1800mAh
- KME-315 Microfono-auricolare esterno con clip di fissaggio
- KME-614 Microfono-auricolare esterno con archetto orientabile
- KME-801 Microfono-auricolare esterno per sicurezza e bodyguard
- KME-100A Microfono-auricolare esterno con clip di fissaggio
- KME-200A Microfono-auricolare esterno con astina flessibile e clip di fissaggio
- KME-H115 Microfono-altoparlante esterno (light duty)
- KST-301 Microfono-altoparlante esterno (heavy duty)
- CDLS-HTHX Software di programmazione (CD ROM) e cavetto di interfaccia per PC

PROGRAMMAZIONE CANALI

Italiano

CANALI	FREQUENZA DI TRASMISSIONE	FREQUENZA DI RICEZIONE	CTCSS / DCS
1
2
3
4
5
6
7
8
9
10
11
12
13
14
15
16

Avviso agli utenti

Ai sensi dell'art. 13 del decreto legislativo 25 luglio 2005, n. 15"Attuazione delle Direttive 2002/95/CE, 2002/96/CE e 2003/108/CE, relative alla riduzione dell'uso di sostanze pericolose nelle apparecchiature elettriche ed elettroniche, nonché allo smaltimento dei rifiuti".



Il simbolo del cassonetto barrato riportato sull'apparecchiatura indica che il prodotto alla fine della propria vita utile deve essere raccolto separatamente dagli altri rifiuti.

L'utente dovrà, pertanto, conferire l'apparecchiatura giunta a fine vita agli idonei centri di raccolta differenziata dei rifiuti elettronici ed elettrotecnici, oppure riconsegnarla al rivenditore al momento dell'acquisto di una nuova apparecchiatura di tipo equivalente, in ragione di uno a uno.

L'adeguata raccolta differenziata per l'avvio successivo dell'apparecchiatura dismessa al riciclaggio, al trattamento e allo smaltimento ambientalmente compatibile contribuisce ad evitare possibili effetti negativi sull'ambiente e sulla salute e favorisce il riciclo dei materiali di cui è composta l'apparecchiatura.

Lo smaltimento abusivo del prodotto da parte dell'utente comporta l'applicazione delle sanzioni amministrative di cui al dlgs. n. 22/1997" (articolo 50 e seguenti del dlgs. n. 22/1997).

Avvertenze Importanti - Garanzia limitata

Avvertenze Importanti !

ⓘ QUESTO PRODOTTO E' DESTINATO AL MERCATO ITALIANO E PERTANTO L' IMPIEGO DELLO STESSO E' SOGGETTO ALLE NORME DI LEGGE IN VIGORE IN ITALIA.

Regime d' uso : Licenza individuale

Per le normative che regolamentano l' utilizzo degli apparati previsti all' impiego in sistemi radiomobili e fissi ad uso privato fare riferimento al CODICE DELLE COMUNICAZIONI ELETTRONICHE D.L. 1° agosto 2003, n. 259, ai sensi degli artt. 104, lettera a), numero 1) e 256 comma 1, l' esercizio dell' apparato in questione è subordinato rispettivamente al possesso dell' "autorizzazione generale" e relativo "diritto individuale di uso".

Garanzia Limitata

Questo prodotto é garantito contro difetti nei materiali e nella lavorazione, in condizioni di uso e servizio normali, per un periodo di un anno, sempre che il prodotto sia ritornato senza spese al rivenditore presso cui é stato acquistato, accompagnato dallo scontrino fiscale o altro documento di acquisto, comprovante la data effettiva di acquisto. Questa garanzia non copre difetti o danni derivanti da abuso, uso improprio, modifiche non autorizzate, perdita di liquidi delle batterie, utilizzo in ambiente inadatto o normale deperimento d' uso.

Tutti i valori presenti nel manuale sono misurati in condizioni ottimali di utilizzo. Tutti i disegni, i testi e le caratteristiche tecniche non sono impegnativi e possono essere variati in qualunque momento.

Italiano

INTEK® HT-174S / HT-460S

N. di serie : _____

Data: _____

Timbro e firma del rivenditore



Prodotto importato e distribuito da
INTEK S.R.L.

Via G. Marconi, 16 - 20090 Segrate (MI) - Tel. 02-26950451 - Fax. 02-26952185
www.intek-com.it / e-mail : intek.com@intek-com.it

Declaration of Conformity HT-174S

EC Certificate of Conformity
(to EC Directive 2006/95, 2004/108, 99/5)

DECLARATION OF CONFORMITY

With the present declaration, we certify that the following products :

INTEK HT-174S

comply with all the technical regulations applicable to the above mentioned products in accordance with the EC Directives 2006/95/EC, 2004/108/EC, 99/5/EC.

Type of product : PMR VHF Transceiver

Details of applied standards : EN 300 086-1/-2, EN 301 489-1/-5,
EN 60065

Manufacturer : **INTEK S.R.L.**
16, Via G. Marconi
20090 Segrate, Italy
Tel. +3902 2695 0451 / Fax. +3902 2695 2185
E-mail : intek.com@intek-com.it

Contact Reference : Armando Zanni
Tel. +3902 2695 0451 / Fax. +3902 2695 2185
E-mail : intek.com@intek-com.it

Segrate, 15/10/2008

dr. Vittorio Zanetti
(General Manager)



Declaration of Conformity HT-460S

EC Certificate of Conformity
(to EC Directive 2006/95, 2004/108, 99/5)

DECLARATION OF CONFORMITY

With the present declaration, we certify that the following products :

INTEK HT-460S

comply with all the technical regulations applicable to the above mentioned products in accordance with the EC Directives 2006/95/EC, 2004/108/EC, 99/5/EC.

Type of product :	PMR UHF Transceiver
Details of applied standards :	EN 300 086-1/-2, EN 301 489-1/-5, EN 60065
Manufacturer :	INTEK S.R.L. 16, Via G. Marconi 20090 Segrate, Italy Tel. +3902 2695 0451 / Fax. +3902 2695 2185 E-mail : intek.com@intek-com.it
Contact Reference :	Armando Zanni Tel. +3902 2695 0451 / Fax. +3902 2695 2185 E-mail : intek.com@intek-com.it

Segrate, 2/10/2008

dr. Vittorio Zanetti
(General Manager)

INTEK[®]