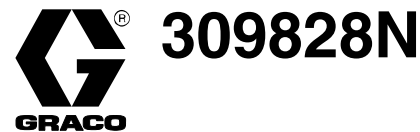


INSTRUCTIONS



Important Safety Instructions

Read all warnings and instructions in this manual. Save these instructions.

G-Force Direct-Drive Pressure Washer

2525LD

Model 246601, Series A & Series B

2300 psi (159 bar, 15.8 MPa) Maximum Operating Pressure

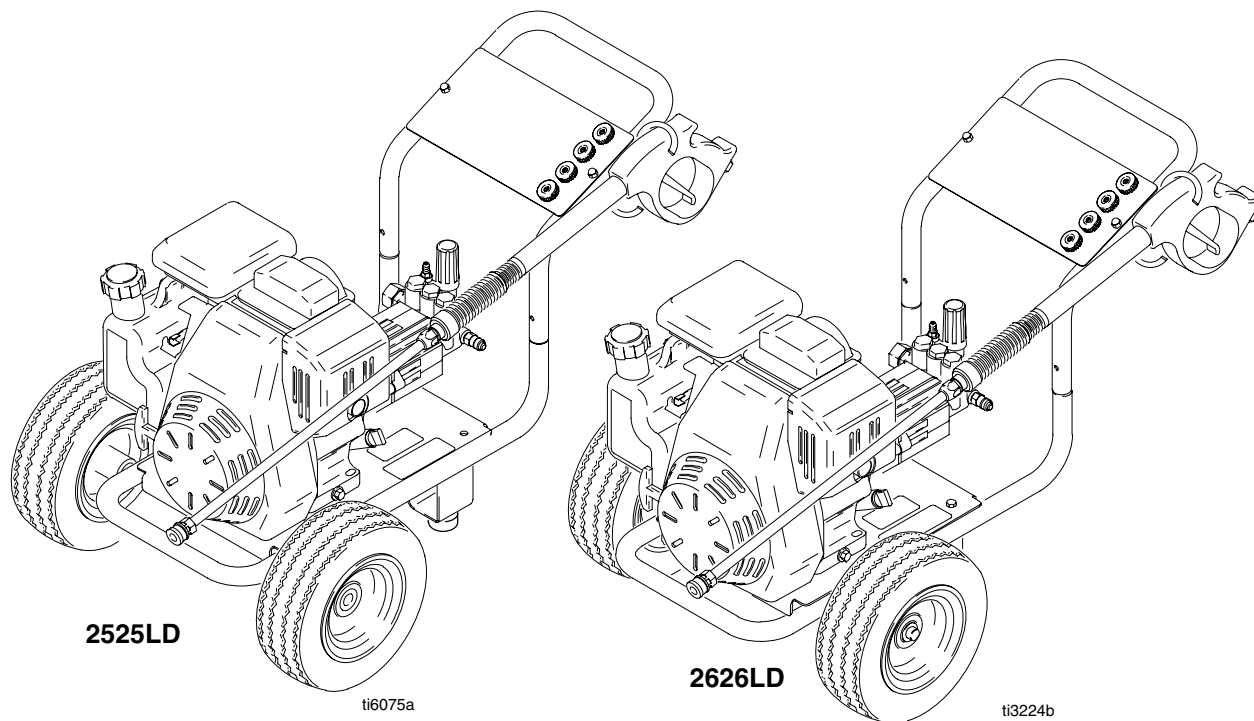
2500 psi (172 bar, 17.2 MPa) Maximum Working Pressure

2626LD

Model 249065, Series A

2600 psi (179 bar, 17.9 MPa) Maximum Operating Pressure

2750 psi (191 bar, 19.0 MPa) Maximum Working Pressure



GRACO INC. P.O. BOX 1441 MINNEAPOLIS, MN 55440-1441

©COPYRIGHT 2003 GRACO INC.

Graco Inc. is registered to I.S. EN ISO 9001

Table of Contents

Symbols	2
Warnings	3
Component Identification	4
Pressure Relief Procedure	7
Installing and Changing Spray Tips	12
Pump Service	19
Parts Drawing	21
Parts List	22
Graco Phone Number	28

Warning Symbol



This symbol alerts you to the possibility of serious injury or death if you do not follow instructions.

Caution Symbol



This symbol alerts you to the possibility of damage to or destruction of equipment if you do not follow instructions.



WARNINGS

**FUEL HAZARD:**

Fuel is combustible. When spilled on a hot surface it can ignite and cause a fire. Do not fill fuel tank while engine is running or hot.

**EXHAUST HAZARD:**

Exhaust contains poisonous carbon monoxide, which is colorless and odorless. Do not operate this equipment in a closed building.

**EQUIPMENT MISUSE HAZARD:**

Misuse of pressure washer or accessories can cause the equipment to rupture or malfunction and result in serious injury.

- Do not alter or modify any part or factory-setting
- Check equipment daily. Repair or replace worn or damaged parts immediately.
- Do not exceed maximum working pressure (MWPR) of the lowest-rated system component
- Use fluids and solvents that are compatible with the equipment wetted parts. See Specifications page for this information.
- Wear hearing protection when operating this equipment.
- Do not “blow back” fluid; this is not an air spray system
- Follow **Pressure Relief**, page 7 before cleaning, checking or servicing equipment.

**TOXIC FLUID HAZARD:**

Hazardous fluid or toxic fumes can cause serious injury or death if splashed in eyes or on skin, inhaled, or swallowed.

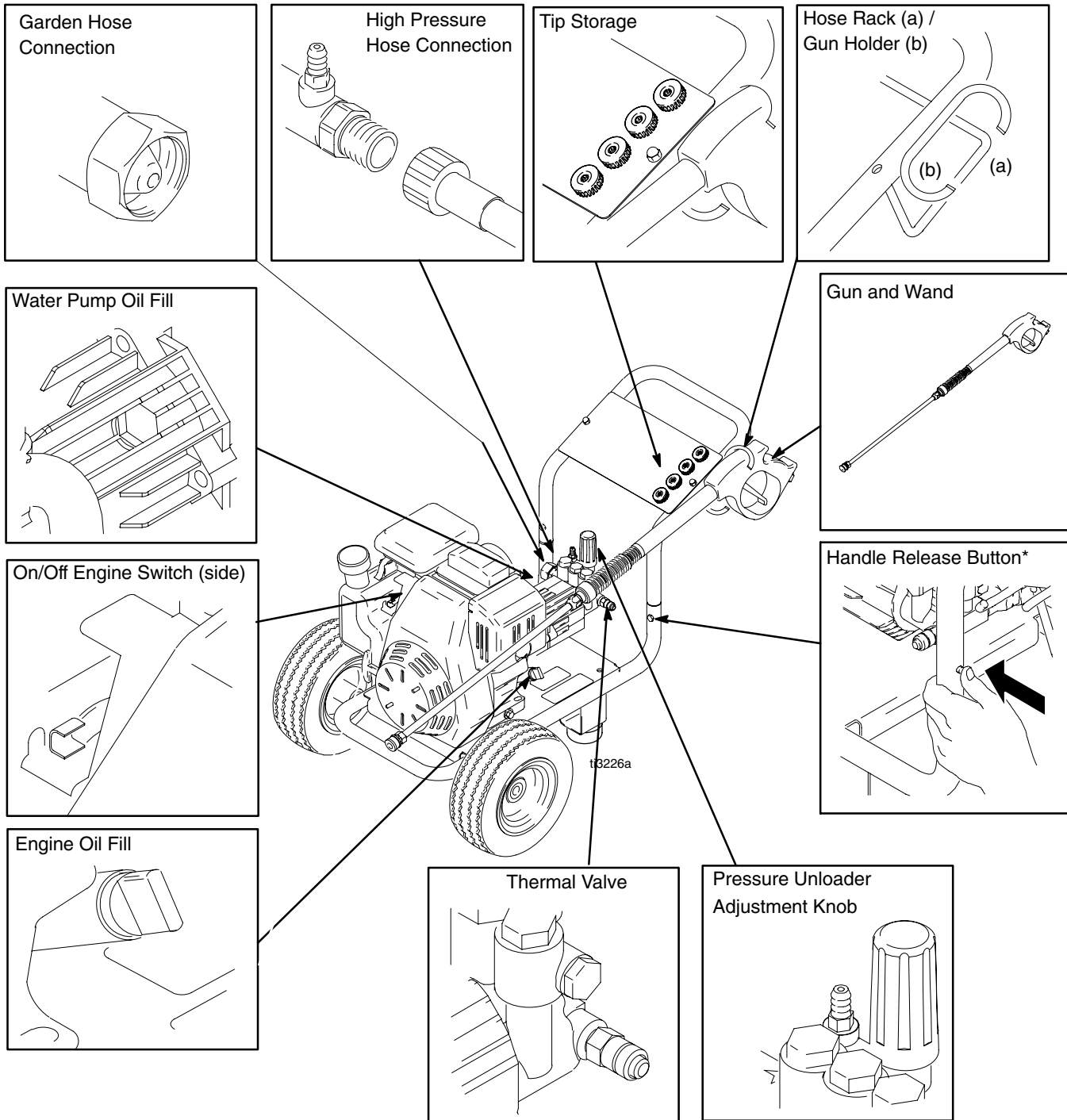
- Know specific hazards of fluids you are using and take protective measures as recommended by the fluid and solvent manufacturer.

**SKIN INJECTION HAZARD:**

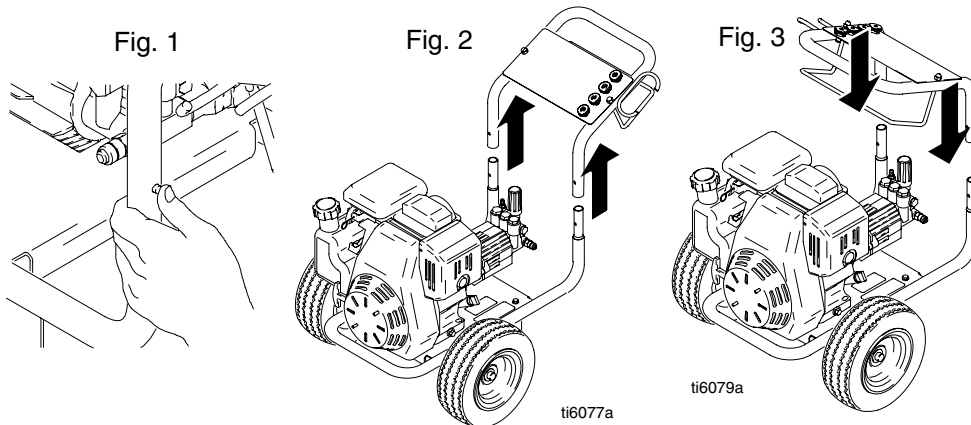
Spray from gun, leaks or ruptured components can inject fluid into your body and cause serious injury. Fluid splashed in eyes or on skin can also cause serious injury.

- Fluid injected into skin might look like just a cut, but it is a serious injury. **Get immediate surgical treatment.**
- Do not point gun at anyone or any part of the body.
- Do not stop or deflect leaks with hand, body, glove, or rag.
- Do not put your hand or fingers over the spray tip.
- Tighten fluid connections before you start this equipment.
- Engage the gun safety whenever you stop spraying.
- Follow **Pressure Relief Procedure**, page 7 if the spray tip clogs and before you clean, check or service this equipment.
- Repair or replace worn or damaged parts immediately.
- Check hoses, tubes, and couplings daily. Do not repair high-pressure couplings. Replace entire hose. Fluid hoses must have spring guards on both ends to prevent kinks and rupture.

Component Identification



*Cart handle can be removed to create a compact profile for storage and transporting. Push in release button on each side of handle. (Fig. 1) Pull handle off lower frame. (Fig. 2). Rotate handle 180° and reposition over lower frame. (Fig. 3) Push down on handle until until release buttons engage.



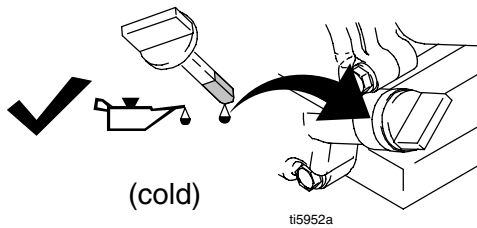
Initial Setup

Shipping Damage

Check pressure washer for shipping damage. Notify carrier immediately if there is any damage.

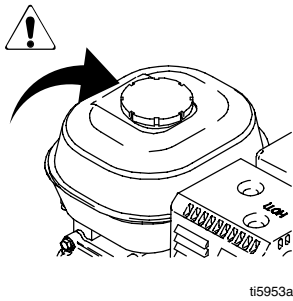
Oil

Engine is shipped without engine oil. Add Graco SAE 10W–30 engine oil (included) and confirm oil level is within an acceptable range according to the Honda Owner's Manual (included).



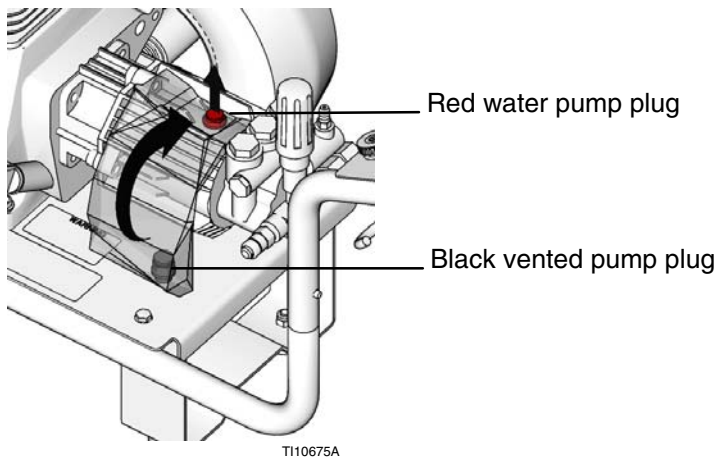
Fuel

Fill fuel tank.



Pump plug

Remove red water pump plug (A) and replace with attached black vented pump plug (B).

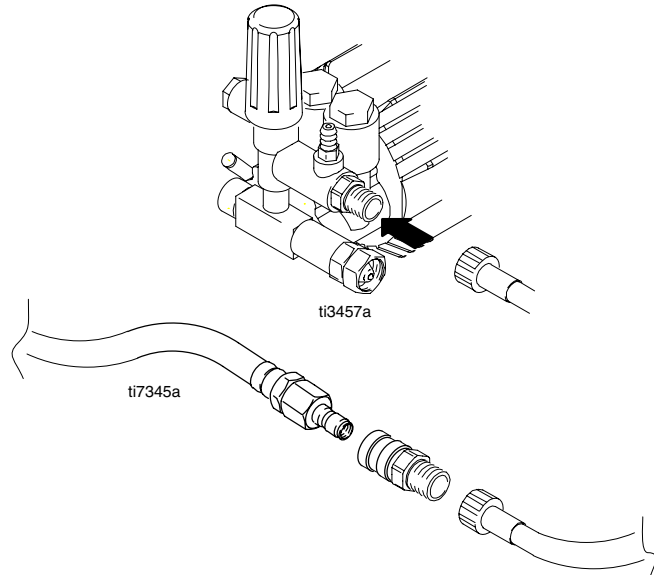


Installation

Connect High-Pressure Hose and Gun

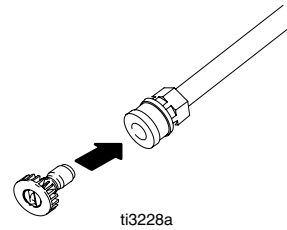
Connect high-pressure hose between the pump outlet and gun inlet. Both of these connections are made with quick couplers.

Note: Adapter kit 249101 can be used to connect two high pressure hoses together.



Install Spray Tip

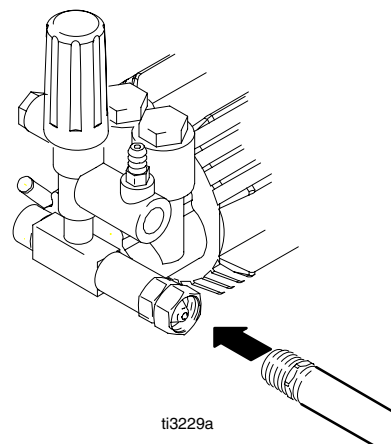
Install spray tip on wand. Installing and Changing Spray Tips, page 12). If you are using a Sandblasting Kit, see its separate manual for installation instructions.



Connect to Water Supply

Connect hose with at least a 3/4 in. (19 mm) ID from water supply to 3/4 in. garden hose inlet on the pressure washer. The supply hose should not be more than 50 ft (15 m) long.

CAUTION
Before you connect garden hose to pressure washer, check local plumbing codes regarding cross-connection to water supply. If required, install backflow preventer.
If inlet water pressure is over 60 psi (4.1 bar), a regulating water valve must be installed at garden hose connection.
Do not exceed 104° F (40° C) inlet water temperature.



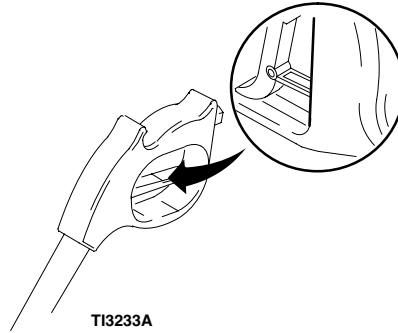
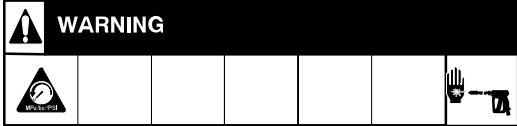
Note: Water source must have a minimum flow rate equal to that of pressure washer.



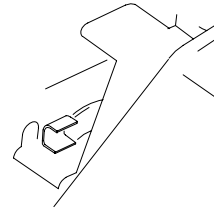
PRESSURE RELIEF

Follow these instructions whenever you are instructed to relieve pressure, stop spraying for more than 10 minutes, check or service the equipment, or install or clean the spray nozzle.

1. Engage trigger safety latch

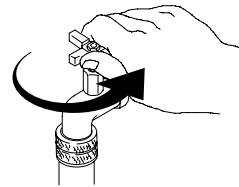


2. Turn pressure washer off

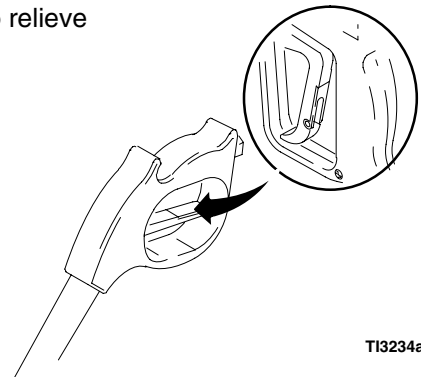


3. Remove ignition cable from spark plug.

4. Shut off water supply. Disconnect from water.



5. Disengage trigger safety latch. Trigger gun to relieve pressure. Then re-engage the safety latch.



Note: If you suspect that the spray tip or hose is clogged or that pressure has not been fully relieved after following the steps above, disengage the trigger safety latch and trigger the gun to relieve pressure.

Operation

Startup

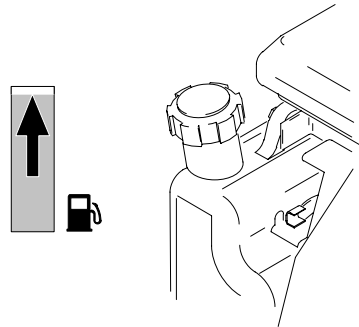
Always use this startup procedure to ensure that the pressure washer is started safely and properly.

- Always engage gun trigger safety latch when you stop spraying. This reduces the risk of fluid injection or splashing in eyes or on skin if gun is bumped or accidentally triggered.
- Always observe the CAUTIONS in this section to avoid costly damage to pressure washer.
- If you use the Sandblaster Kit, see Sandblaster Kit Manual for detailed cleaning information.

-
1. Check oil level of engine.



2. Check fuel level.



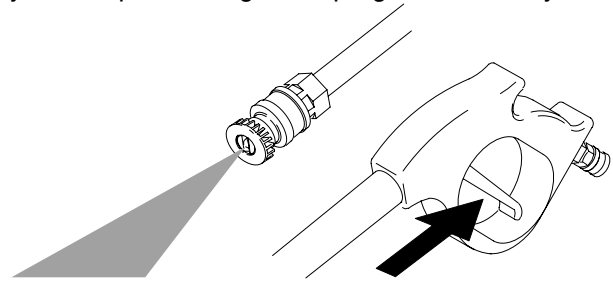
-
3. Turn on water supply.



CAUTION

Never run pressure washer without water. Costly pump damage will result. Always be sure water supply is completely turned on before you run pressure washer.
--

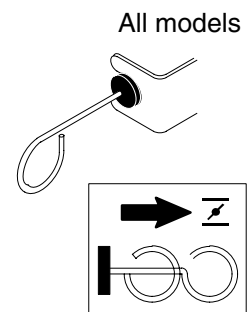
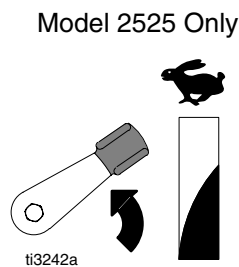
-
4. Trigger gun until a constant stream of water sprays from tip indicating air is purged from the system.



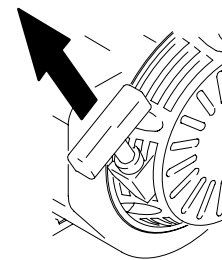
-
5. Be sure spark plug ignition cable is pushed firmly onto spark plug.

-
6. **For Model 2525LD ONLY**, move throttle to Rabbit (fast) position first.

For all models, (then) move choke to CHOKE position.



-
7. Pull the starter rope quickly to start the engine. Pull and return the rope until the engine starts. HINT: Placing one foot on the pressure washer as a brace provides better leverage.



NOTE: For easier starting, have one person start pressure washer while another triggers gun.

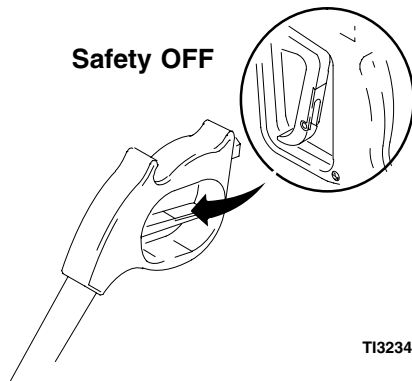
CAUTION

- Do not allow pressure washer to idle more than 10 minutes. This causes circulating water to overheat and serious damage to the pump. The pump is equipped with a thermal valve to help prevent severe damage if circulating water is overheating.
- Turn off pressure washer if it will not be spraying at least every 10 minutes or if thermal valve activates. If heated inlet water is used, reduce this time.
- Do not operate pressure washer with inlet water screen removed. This screen helps keep abrasive sediment which could clog pump or damage cylinders, out of pump.
- Do not pump caustic materials.

Trigger Safety Latch

Always engage the safety latch when you stop spraying.

Always engage trigger safety latch when you stop spraying even for a moment. The engaged safety latch prevents the gun from being triggered accidentally by hand or when dropped or bumped. Be sure latch is pushed fully down or it will not prevent the gun from being triggered.

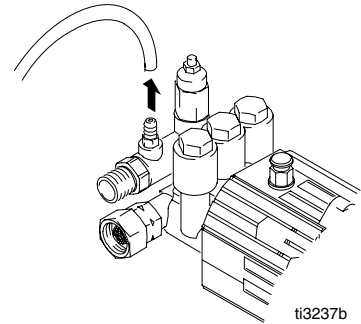


Chemical Injector Operation

1. Follow **Pressure Relief Procedure**, page 7.



-
2. Push end of chemical injector hose over chemical injector fitting on pump. Place other end in container of chemical solution.



-
3. Install the black, large-orifice, chemical tip. (**Installing and Changing Spray Tips** page 12).
 4. Trigger gun for a few seconds. Chemical solution will begin mixing in spray pattern.

The large orifice of the chemical tip causes a drop in pressure that actuates the chemical injector. Changing back to a small orifice spray tip deactivates the chemical injector and produces high pressure for rinsing. The chemical filter can be left in the chemical container during high-pressure use.

Installing and Changing Spray Tips

Spray tips have 4- or 5-digit numbers on them. The first two digits are the spray angle. Tip holding holes are provided on the chassis.

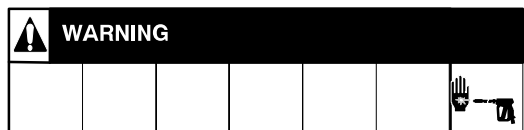
Spray Tip Number	Spray Pattern Fan Angle
00XXX	0° blaster (red)
15XXX	15° (yellow)
25XXX	25° (green)
40XXX	40° (white)
Chemical	XX° (black)

NOTE: The chemical injector tip is brass and has a large opening and a black plastic cap.

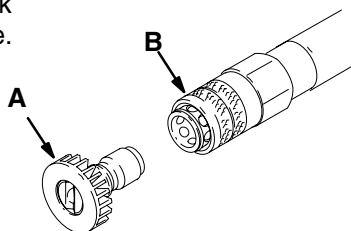
1. Perform **Pressure Relief Procedure**, page 7.



2. Point the gun and wand away from you and anyone else.



3. Without holding your hand over spray tip (A), pull back quick coupler ring (B). Remove current tip. Install a different one. Then push the ring back on.



CAUTION

To avoid blowing the o-ring out of the quick coupler due to the high pressure in the system, never operate pressure washer without a tip securely mounted in quick coupler.

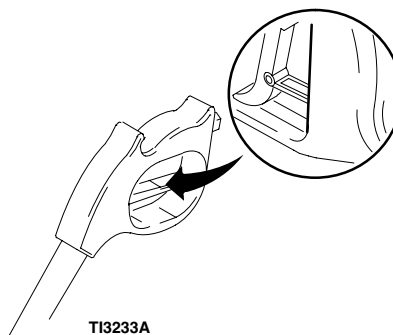
Shutdown, Flushing, and Storage

1. Remove chemical injector hose from pump, if attached.

2. Trigger gun for one minute to flush pump with clear water.

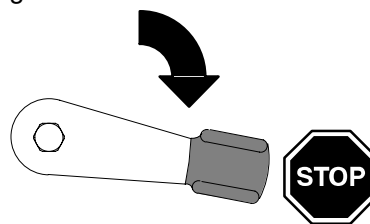


3. Engage trigger safety.

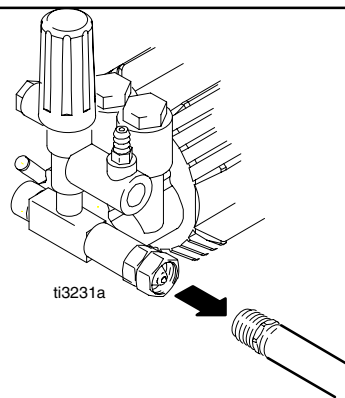


4. For model 2525LD, adjust throttle to STOP position. Engine should turn off.

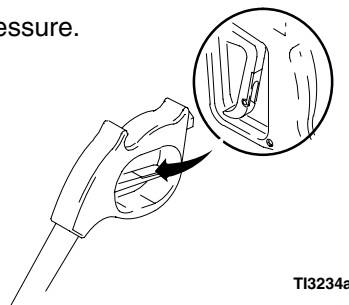
For model 2626LD, turn OFF power switch.



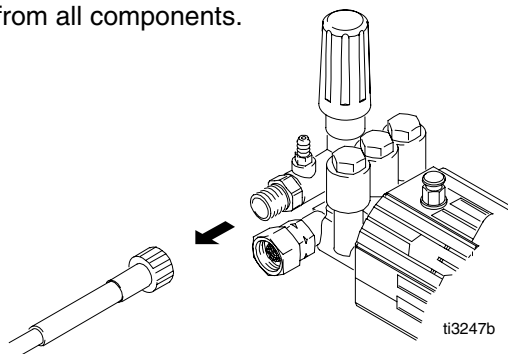
5. Shut off water supply. Disconnect water supply hose from pump.



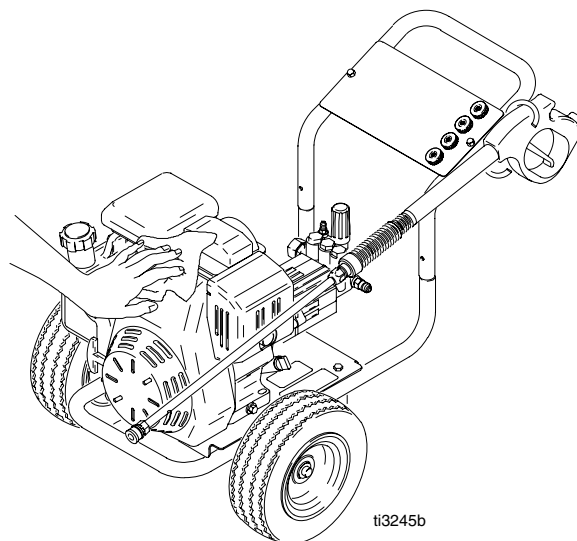
6. Remove trigger safety latch and trigger gun to relieve pressure.



7. Remove high pressure hose from pump. Drain water from all components.



-
- After each use, wipe all surfaces of pressure washer with a clean, damp cloth.



Long Term (more than 30 days)/Winter Storage

- Do not store unit outside where it can be exposed to rain, dirt or adverse weather conditions.
- Do not expose pressure washer to freezing temperatures or allow water to freeze in pressure washer components, causing the pump to lock-up. If this happens let pump thaw naturally in WARM ENVIRONMENT. DO NOT attempt to speed up this process by pouring warm water on pump. This could cause further damage.

ENGINE:

1. Run engine until gas is gone or stabilize the fuel and run it through the fuel system and carburetor.
2. Drain water out of pressure washer hose.
3. Turn fuel system to OFF position.

Pump:

1. Attach one end of a 4 or 5-foot section of hose to pump inlet and other end in an antifreeze solution approximately 1-foot off the ground.
2. Pull pull-cord on engine until antifreeze comes out of pump outlet.

Storage Location:

1. Store pressure washer in garage, basement or other area where it is protected from freezing temperatures.

Maintenance Chart



Perform **Pressure Relief Procedure** (page 7).

Interval	What to do
Daily	Clean water inlet screen and filter. Check engine and pump oil levels. Fill as necessary. Check gasoline level. Fill as necessary.
After first 5 hours of operation	Change engine break-in oil. Drain oil when warm. Use SAE 30 or 10W-30 detergent oil.
Every 3 months or 25 hours of operation	Clean and remove air cleaner foam. Wash with water and detergent. Dry thoroughly. Rub with oil, and squeeze to distribute oil.
Every 6 months or 50 hours of operation	Change engine oil. Use approved SAE30 or 10W30 detergent oil.
After every 100 hours of operation, or every 3 months	Check/adjust spark plug and idle speed. Clean fuel tank and filter..

NOTE: It is not necessary to change pump oil during the life of the pump. If pump oil is drained for repair, use part number 117784 replacement oil only.

Troubleshooting



Perform **Pressure Relief Procedure** (page 7).

Problem	Cause	Solution
Engine will not start or is hard to start.	No gasoline in fuel tank or carburetor	Fill tank with gasoline, open fuel shutoff valve. Check fuel line and carburetor.
	Low oil	Add oil to proper level.
	Throttle in STOP position (model 2525LD only)	Move throttle to FAST (rabbit) position
	Water in fuel or old fuel	Drain fuel tank and carburetor. Use new fuel and make sure spark plug is dry.
	Engine flooded or improperly choked	Open choke, pull engine starter rope several times to clear out fuel. Make sure spark plug is dry.
	Dirty air cleaner filter	Remove and clean.
	Spark plug dirty, wrong gap, or wrong type	Clean, adjust gap or replace.
	Gun not triggered	Trigger gun while starting engine.
Engine misses or lacks power	Partially plugged air cleaner filter	Remove and clean.
	Spark plug dirty, wrong gap, or wrong type	Clean, adjust gap or replace.
Pressure is too low and/or pump runs roughly	Worn or wrong size tip	Replace with tip of proper size.
	Inlet filter clogged	Clean. Check more frequently.
	Worn packings, abrasives in water, or natural wear	Check filter. Replace packing.
	Inadequate water supply	Check water flow rate to pump.
	Fouled or dirty inlet or discharge valves	Clean inlet and discharge valve assemblies. Check filter.
	Restricted inlet	Garden hose might be collapsed or kinked.
	Worn inlet or discharge valves	Replace worn valves.
	Leaking high-pressure hose	Replace high-pressure hose.
Water leaks from under pump manifold	Worn packings	Install new packings.
	Loose fitting connections	Check all fitting connections. Tighten if loose.
Water on oil side of pump	Worn packings	Install new packings.
	Oil seals leaking	Install new oil seals.

Problem	Cause	Solution
Packings are failing frequently or prematurely	Scored, damaged, or worn plungers	Install new plungers.
	Abrasive material in fluid being pumped	Install proper filtration on pump inlet plumbing.
	Inlet water temperature too high	Check water temperature. It should not exceed 160°F (70°C).
	Overpressurizing pump	Do not modify any factory-set adjustments.
	Excessive pressure due to partially plugged or damaged tip	Clean or replace tip. See Installing and Changing Spray Tips (page 12).
	Pump running too long without spraying	Never run pump more than 10 minutes without spraying.
	Running pump dry	Do not run pump without water.
Strong surging at inlet and low pressure on discharge side	Foreign particles in inlet or discharge valve or worn inlet and/or discharge valves	Clean or replace valves.
Water spitting out of thermal valve	Pump running too long without spraying	Trigger gun to get fresh, cooler water in pump.

Note: For complete pump repair and design information see website: www.ARNORTHAMERICA.com

Pump Service

Repair kits are available. See the **Parts Lists** (page 21). For the best results, use all parts in the kits.



Perform **Pressure Relief Procedure** (page 7).

Servicing Valves

Discharge Valves:

Disassembly

1. Remove valve cap.
2. Inspect valve cap o-ring for damage. Replace if necessary.
3. Using a needle nose pliers, remove valve.
4. Use a small probe to move the poppet up and down to assure it is functioning properly.
5. Inspect for any debris that may be lodged between poppet and seal.
6. Remove valve seat o-ring and inspect for damage.

Assembly

1. Install valve seat o-ring squarely into bottom of manifold.
2. Insert valve assembly squarely into port, pushing it into o-ring.
3. Install valve cap and torque to 443 in.-lbs (37 ft-lbs).

Inlet Valves

Disassembly

1. Remove manifold.
2. Remove low-pressure seals by inserting a flat screwdriver under seal lip and lifting up.
3. Using a reversible pliers, carefully remove packing retainers (plunger guides).

Note: Packing retainers can be reused if not worn.

4. Remove high-pressure packing by pulling straight out with your finger.
5. Pull out valve cage/head ring assembly, valve poppet, spring and o-ring.
6. Inspect for debris and/or damage.
7. Remove valve o-ring.

Assembly

1. Install valve seat o-ring squarely into bottom of manifold.
2. Insert valve assembly and push squarely into o-ring.
3. Install high-pressure packing by placing it into cylinder at an angle and then pushing into place.

Note: The point of the “v” or flat side of packing is pointed at you.

4. Lubricate packing retainer o-ring with a light film of oil and install it into cylinder.
5. Push it completely into place.

Note: O-ring will seat just inside manifold and you will hear a slight pop.

6. Insert low-pressure seal by placing it into cylinder at an angle and pushing it into place.
7. Put a thin coat of oil on plungers and packings.
8. Carefully install manifold and torque bolt to 443 in.-lbs (37 ft-lbs).

Note: Valve life is dependant on many variables. Hard water, cavitation, corrosion, chemicals and equipment care. The valves are a wear item and need periodic replacement. Worn o-rings or damaged valves will cause pressure loss and pulsations.

Packings

Disassembly

1. To access water seals for inspection or replacement, remove head of pump.

Note: It is important to note the order in which the components of the packing stack are arranged and facing during disassembly.

2. Remove head bolts.
3. Insert a small pry bar between head and body at opposite corners and apply pressure down on one pry bar and up on the other pry bar.
4. Lift head up and away from body.

Note: Packing stack will not always stay in head of pump when it is removed. Sometimes one or more components of the packing stack will come out of the head and stay on the plunger.

5. To remove any components that stay on plungers twist back and forth while pulling up.
6. Remove low-pressure seals by inserting a flat screwdriver under seal lip and lifting up.
7. Remove piston guides from head by using a reverse pliers (preferably rubber coated) inserted into center of piston guide.
8. Use back and forth twisting motion while pulling up (clockwise and counter-clockwise).
9. Another method is to use a two-prong slide hammer puller. Insert prongs into piston guide allowing prongs to grab under support ring, then use slide hammer to pull packing stack up and out of head.

Note: Damage to piston guides and or seals may occur during removal. Inspect carefully before reusing any components of packing stack.

10. Remove high-pressure packing by pulling straight out with your finger.

Assembly

1. Install high-pressure seal into head.

Note: It should fit snugly. The packing support is part of the valve cage.

2. Place high-pressure seal at an angle and work it into cylinder.

Note: The point of the “v” or flat side of packing is pointed at you.

3. Lubricate packing retainer o-ring with a light film of oil and install it into cylinder.
4. Push it completely into place.

Note: O-ring will seat just inside manifold and you will hear a slight pop.

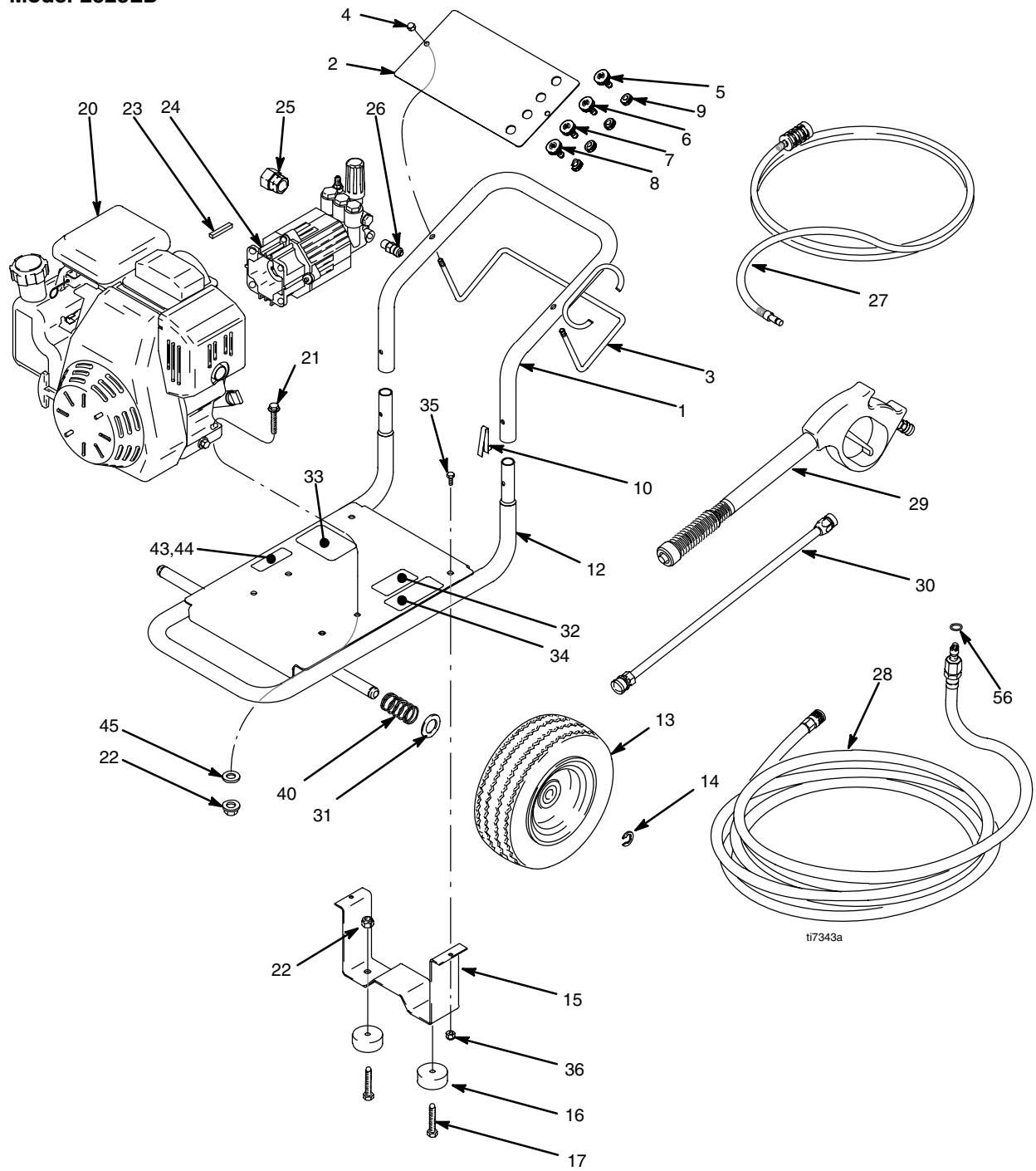
5. Insert low-pressure seal by placing it into cylinder at an angle and pushing it into place.
6. Put a thin coat of oil on plungers and packings.
7. Carefully install manifold and torque bolt to 443 in.-lbs (37 ft-lbs).

Note: Valve life is dependant on many variables. Hard water, cavitation, corrosion, chemicals and equipment care. The valves are a wear item and need periodic replacement. Worn o-rings or damaged valves will cause pressure loss and pulsations.

Water seals are wear items. Lift of seals is dependent on many factors. Water seals should be replaced when water leak or loss of performance is noticed. Prompt replacement of worn seals will insure peak operating performance and trouble-free operation.

Parts

Model 2525LD



Parts

Model 2525LD

Ref. No.	Part No.	Description	Qty.	Ref. No.	Part No.	Description	Qty.
				20◆	118000	ENGINE, 5 hp, Honda	1
1	15C311	HANDLE, cart	1	21	110837	SCREW, hex hd	4
2	15B880	FRAME, placard	1	22	111040	NUT, nylon	6
3	15C307	RACK, hose	1	23	197792	KEY, motor shaft	1
4	115651	NUT, acorn	2	24†	287137	PUMP (with bolts)	1
5	805535	TIP, 0°, red	1	25	117758	ADAPTER, garden hose	1
6	805536	TIP, 15°, yellow	1	26	117759	VALVE, thermal	1
7	805538	TIP, 40°, white	1	27	117760	HOSE, injector	1
8	805634	TIP, chemical, black	1	28	118125	HOSE	1
9	801012	GROMMET	4	29	246674	GUN	1
10	112827	BUTTON, snap	2	30	118124	EXTENSION, gun	1
12	15C309	FRAME, cart, Series A	1	31	116477	WASHER	2
	287611	FRAME, cart, Series B	1	32▲	290013	LABEL, warning	1
13	116968	WHEEL	2	33▲	290131	LABEL, warning	1
14	101242	RING, retaining	2	34▲	802363	LABEL, caution	1
15	15C305	FRAME, leg. Series A	1	35	100270	SCREW, cap, hex hd	2
	287609	FRAME, leg. Series B	1	36	102040	NUT, lock	2
16	113817	FOOT, base, rubber	2	40	116411	SPRING	2
17	100057	SCREW, hex, cap	2	45	100527	WASHER	4
				55	249101	KIT, coupling, hose (see page NO TAG)	1
				56	113418	O-RING	1

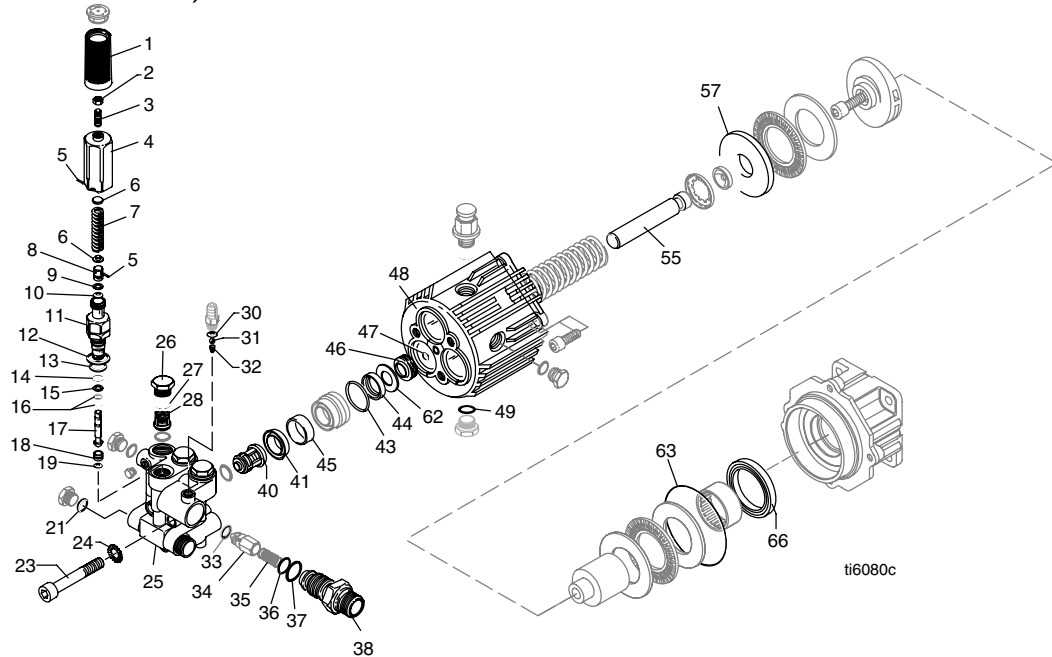
▲ Additional danger and warning tags and labels available free.

◆ Repair parts for Honda Engine model GC160, 5 hp, can be identified and purchased by following the links on our website: www.graco.com.

Repair Kits

SJV2.5G25D-F7

(Use with model 2525LD)



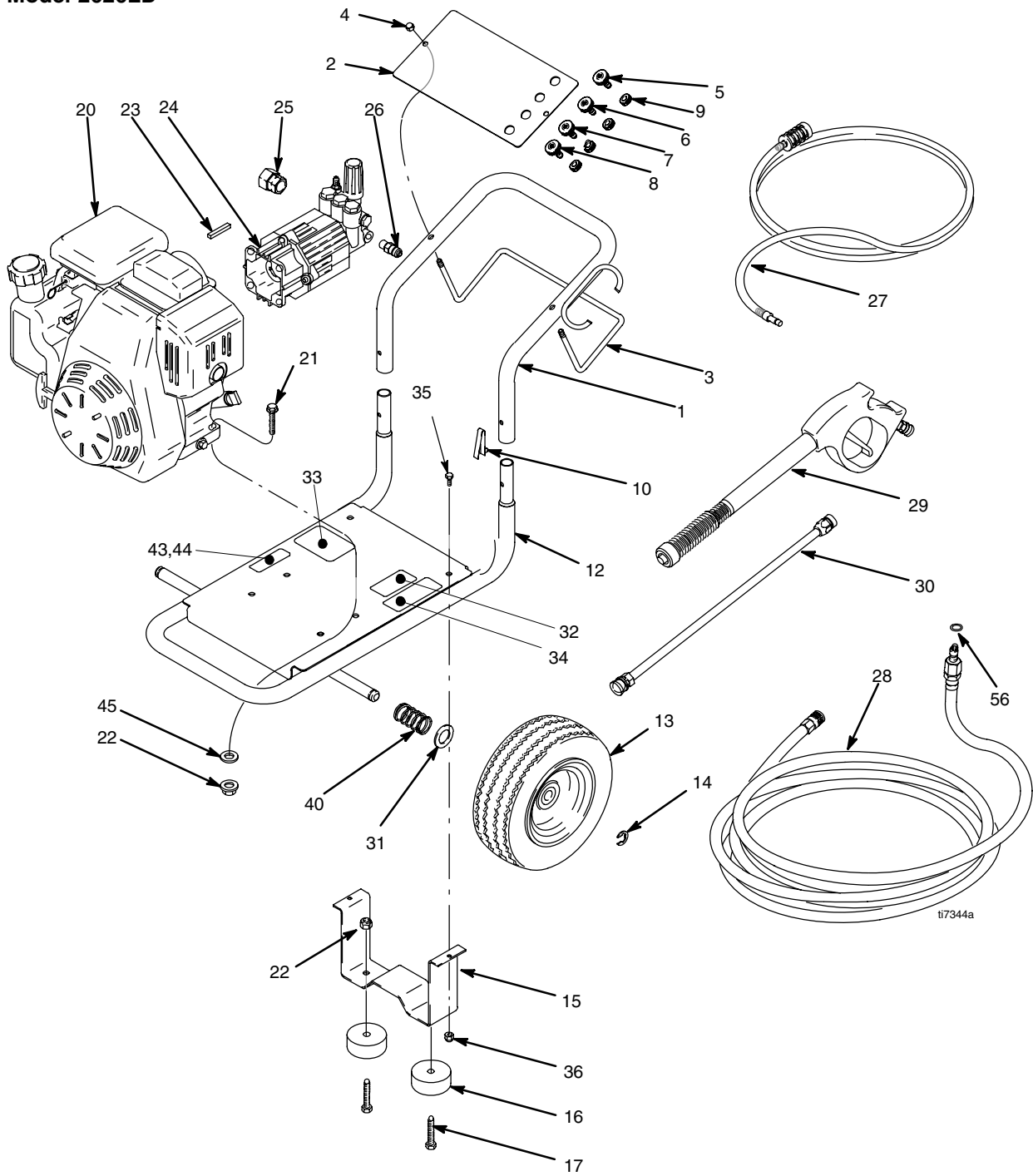
SJV2.5G25D-F7 Repair Kits†

287572	KIT, repair, water seals includes 41, 43, 44, 45, 62	1	287874	KIT, chemical injector, 33, 34, 35, 36, 37, 38	1
287132	KIT, repair, valves includes 12, 28, 40	1	287136	KIT, repair, unloader includes 1-19	1
287133	KIT, repair, pistons includes 55	1	287137	PUMP (complete pump)	1
287134	KIT, repair, oil seals includes 46, 57, 66	1	117784	OIL, pump	1
287135	KIT, repair, o-rings includes, 9, 10, 12, 13, 14, 15, 16, 19, 21, 27, 30, 31, 32, 33, 36, 37, 49, 63	1			

† Additional repair parts for AR North American pump model SJV2.5G25D-F7, can be identified and purchased by following the links on our website: www.graco.com.

Parts

Model 2626LD



Parts

Model 2626LD

Ref. No.	Part No.	Description	Qty.	Ref. No.	Part No.	Description	Qty.
				20	119587	ENGINE, 6 hp, Honda	1
1	15C311	HANDLE, cart	1	21	110837	SCREW, hex hd	4
2	15F136	FRAME, placard	1	22	111040	NUT, nylon	6
3	15C307	RACK, hose	1	23	197792	KEY, motor shaft	1
4	115651	NUT, acorn	2	24	287574	PUMP (with bolts)	1
5	805535	TIP, 0°, red	1	25	117758	ADAPTER, garden hose	1
6	805536	TIP, 15°, yellow	1	26	117759	VALVE, thermal	1
7	805538	TIP, 40°, white	1	27	117760	HOSE, injector	1
8	805634	TIP, chemical, black	1	28	118125	HOSE	1
9	801012	GROMMET	4	29	246674	GUN	1
10	112827	BUTTON, snap	2	30	118124	EXTENSION, gun	1
12	287611	FRAME, cart	1	31	116477	WASHER	2
13	116968	WHEEL	2	32▲	290013	LABEL, warning	1
14	101242	RING, retaining	2	33▲	290131	LABEL, warning	1
15	287609	FRAME, leg	1	34▲	802363	LABEL, caution	1
16	113817	FOOT, base, rubber	2	35	100270	SCREW, cap, hex hd	2
17	100057	SCREW, hex, cap	2	36	102040	NUT, lock	2
				40	116411	SPRING	2
				45	100527	WASHER	4
				55	249101	KIT, coupling, hose (see page NO TAG)	1
				56	113418	O-RING	1

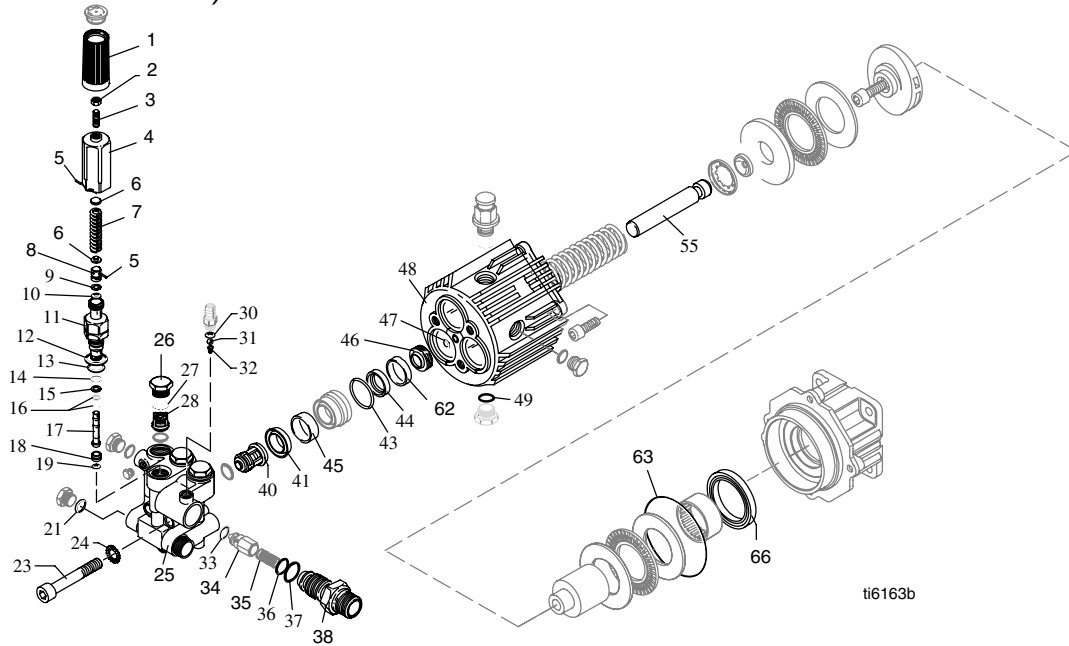
▲ Additional danger and warning tags and labels available free.

◆ Repair parts for Honda Engine model GC190, 6 hp, can be identified and purchased by following the links on our website: www.graco.com.

Repair Kits

SJV2.5G27-D105

(Use with Model 2626LD)



SJV2.5G27-D2105 Repair Kits†

287572	KIT, repair, water seals includes 41, 43, 44, 45, 62	1	287874	KIT, chemical injector, 33, 34, 35, 36, 37, 38	1
287132	KIT, repair, valves includes 12, 28, 40	1	287136	KIT, repair, unloader includes 1-19	1
287133	KIT, repair, pistons includes 55	1	287574	PUMP (complete pump)	1
287573	KIT, repair, oil seals includes 46, 47, 66	1	117784	OIL, pump	1
287135	KIT, repair, o-rings includes, 9, 10, 12, 13, 14, 15, 16, 19, 21, 27, 30, 31, 32, 33, 36, 37, 49, 63	1	† Additional repair parts for AR North American pump model SJV2.5G27-D2105, can be identified and purchased by following the links on our website: www.graco.com .		

Technical Data

Model 2525LD

Working pressure range	
Operating Pressure	2300 psi (159 bar, 15.8 MPa)
Maximum Working Pressure	2500 psi (172 bar, 17.2 MPa)
Engine horsepower	5.0
Maximum delivery (with nozzle)	2.5 gpm
High pressure hose	30 ft x 5/16 in. supplied
Chemical injector hose	4 ft (m) 1/4 in. ID
Weight, pressure washer only	60 lb (27.22 kg)
Weight: sprayer, hose and gun	73 lb (33.11 kg)
Dimensions	
	23.5 in. (59.69 cm) Length
	22.0 in. (55.88 cm) Width
	22.0 (55.88 cm) Height
Pump inlet fitting	3/4 in. internal thread (standard garden hose thread)
Storage temperature range*	-30° to 160°F (-35° to 71°C)
Operating temperature range	40° to 115°F (4° to 46°C)
Sound data	Sound pressure: 92.5 dB(A) Sound level: 106.8 dB(A)

*When pump is stored with non-freezing fluid.

Model 2626LD

Working pressure range	
Operating Pressure	2600 psi (179 bar, 17.9 MPa)
Maximum Working Pressure	2750 psi (190 bar, 19.0 MPa)
Engine horsepower	6.0
Maximum delivery (with nozzle)	2.6 gpm
High pressure hose	30 ft x 5/16 in. supplied
Chemical injector hose	4 ft (m) 1/4 in. ID
Weight, pressure washer only	63 lb (28.58 kg)
Weight: sprayer, hose and gun	70 lb (31.75 kg)
Dimensions	
	23.5 in. (59.69 cm) Length
	22.0 in. (55.88 cm) Width
	22.0 (55.88 cm) Height
Pump inlet fitting	3/4 in. internal thread (standard garden hose thread)
Storage temperature range*	-30° to 160°F (-35° to 71°C)
Operating temperature range	40° to 115°F (4° to 46°C)
Sound data	Sound pressure: 95.2 dB(A) Sound level: 109 dB(A)

*When pump is stored with non-freezing fluid.

Graco Standard Warranty

Graco warrants all equipment listed in this manual which is manufactured by Graco and bearing its name to be free from defects in material and workmanship on the date of sale to the original purchaser for use. Graco will, for a period of twelve months from the date of sale, repair or replace any part of the equipment determined by Graco to be defective. This warranty applies only when the equipment is installed, operated and maintained in accordance with Graco's written recommendations.

This warranty does not cover, and Graco shall not be liable for general wear and tear, or any malfunction, damage or wear caused by faulty installation, misapplication, abrasion, corrosion, inadequate or improper maintenance, negligence, accident, tampering, or substitution of non-Graco component parts. Nor shall Graco be liable for malfunction, damage or wear caused by the incompatibility of Graco equipment with structures, accessories, equipment or materials not supplied by Graco, or the improper design, manufacture, installation, operation or maintenance of structures, accessories, equipment or materials not supplied by Graco.

This warranty is conditioned upon the prepaid return of the equipment claimed to be defective to an authorized Graco distributor for verification of the claimed defect. If the claimed defect is verified, Graco will repair or replace free of charge any defective parts. The equipment will be returned to the original purchaser transportation prepaid. If inspection of the equipment does not disclose any defect in material or workmanship, repairs will be made at a reasonable charge, which charges may include the costs of parts, labor, and transportation.

Graco's sole obligation and buyer's sole remedy for any breach of warranty shall be as set forth above. The buyer agrees that no other remedy (including, but not limited to, incidental or consequential damages for lost profits, lost sales, injury to person or property, or any other incidental or consequential loss) shall be available. Any action for breach of warranty must be brought within two (2) years of the date of sale.

GRACO MAKES NO WARRANTY, AND DISCLAIMS ALL IMPLIED WARRANTIES OF MERCHANTABILITY AND FITNESS FOR A PARTICULAR PURPOSE IN CONNECTION WITH ACCESSORIES, EQUIPMENT, MATERIALS OR COMPONENTS SOLD BUT NOT MANUFACTURED BY GRACO. These items sold, but not manufactured by Graco (such as electric motors, gas engines, switches, hose, etc.), are subject to the warranty, if any, of their manufacturer. Graco will provide purchaser with reasonable assistance in making any claim for breach of these warranties.

In no event will Graco be liable for indirect, incidental, special or consequential damages resulting from Graco supplying equipment hereunder, or the furnishing, performance, or use of any products or other goods sold hereto, whether due to a breach of contract, breach of warranty, the negligence of Graco, or otherwise.

FOR GRACO CANADA CUSTOMERS

The parties acknowledge that they have required that the present document, as well as all documents, notices and legal proceedings entered into, given or instituted pursuant hereto or relating directly or indirectly hereto, be drawn up in English. Les parties reconnaissent avoir convenu que la rédaction du présente document sera en Anglais, ainsi que tous documents, avis et procédures judiciaires exécutés, donnés ou intentés à la suite de ou en rapport, directement ou indirectement, avec les procédures concernées.

ADDITIONAL WARRANTY COVERAGE

Graco does provide extended warranty and wear warranty for products described in the "Graco Contractor Equipment Warranty Program".

Graco Phone Number

TO PLACE AN ORDER, contact your Graco distributor, or call this number to identify the distributor closest to you:
1-800-690-2894 Toll Free

*All written and visual data contained in this document reflect the latest product information available at the time of publication.
Graco reserves the right to make changes at any time without notice.*

MM 309828

Graco Headquarters: Minneapolis

International Offices: Belgium, China, Japan, Korea

GRACO INC. P.O. BOX 1441 MINNEAPOLIS, MN 55440-1441

www.graco.com

2/2003, Rev 1/2008