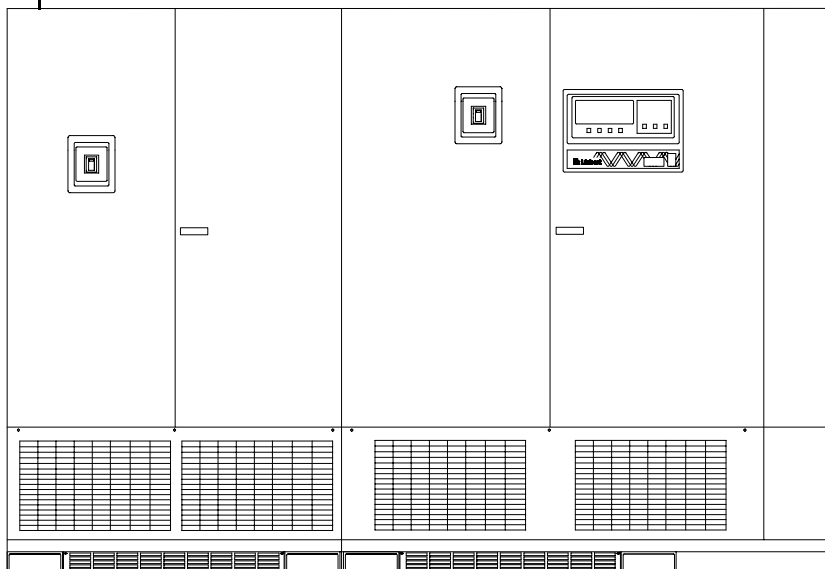


SERIES 610™ UPS**OPERATION & MAINTENANCE MANUAL**

**100-1000kVA, 60Hz
Three Phase
Multi-Module**

BATTERY CABINET PRECAUTIONS

The following warning applies to all battery cabinets supplied with UPS systems. Additional warnings and cautions applicable to battery cabinets may be found in **Important Safety Instructions** and **4.4 - Battery Maintenance**.



WARNING

Internal battery strapping must be verified by manufacturer prior to moving a battery cabinet (after initial installation).

- Battery cabinets contain non-spillable batteries.
- Keep units upright.
- Do not stack.
- Do not tilt.

Failure to heed this warning could result in smoke, fire or electric hazard.

Call 1-800-LIEBERT prior to moving battery cabinets (after initial installation).

CONTACTING LIEBERT FOR SUPPORT

To contact Liebert Global Services for information or repair service in the United States, call 1-800-LIEBERT (1-800-543-2378). Liebert Global Services offers a complete range of start-up services, repair services, preventive maintenance plans and service contracts.

For repair or maintenance service outside the 48 contiguous United States, contact Liebert Global Services, if available in your area. For areas not covered by Liebert Global Services, the authorized distributor is responsible for providing qualified, factory-authorized service.

For LGS to assist you promptly, please have the following information available:

Part numbers: _____

Serial numbers: _____

kVA Rating: _____

Date purchased: _____

Date installed: _____

Location: _____

Input voltage/frequency: _____

Output voltage/frequency: _____

Battery reserve time: _____

TABLE OF CONTENTS

BATTERY CABINET PRECAUTIONS	INSIDE FRONT COVER
CONTACTING LIEBERT FOR SUPPORT	INSIDE FRONT COVER
IMPORTANT SAFETY INSTRUCTIONS	1
1.0 INTRODUCTION	2
1.1 System Description	2
1.2 Reliability	4
1.3 Safety Precautions	5
1.4 Modes of Operation	5
1.4.1 Normal—Load on UPS	5
1.4.2 Input Power Failure	5
1.4.3 Recharge	6
1.4.4 Overload	6
1.4.5 Redundant	6
1.4.6 Bypass—Internal	6
1.4.7 Maintenance Bypass	6
1.4.8 Off-Battery	6
1.5 Operator Controls	6
1.6 Options	8
2.0 THEORY OF OPERATION	10
2.1 General Component Descriptions	10
2.1.1 System Control Cabinet	10
2.1.2 UPS Module	11
2.1.3 Battery Plant	11
2.2 Detailed Component Descriptions	12
2.2.1 Controls	12
2.2.2 Rectifier/Charger	13
2.2.3 Battery Charging Circuit	14
2.2.4 Inverter	15
2.2.5 Static Bypass	16
2.2.6 Redundant Mode	19
3.0 OPERATION	20
3.1 Display Screen and Operator Controls	20
3.2 Menu Tree Navigation	25
3.2.1 Master Menu Screen	26
3.2.2 SCC Monitor/Mimic Display Screen	28
3.2.3 Module Monitor/Mimic Display Screen	30
3.2.4 Walk-In Display Screen	37
3.2.5 Status Reports Screens	38
3.2.6 System Configuration Screens	44
3.2.7 Alarm Limit Settings Screen	52
3.2.8 Load Transfer Procedures Screen	54
3.2.9 Start-Up Procedures Screen	55
3.2.10 Shutdown Procedures Screen	56
3.2.11 Battery Time Screen (Module Only)	58
3.2.12 Meter Calibration Screen	61
3.2.13 Battery Equalize Screen	62
3.2.14 Alarm and Status Messages	63
3.2.15 Communication Interfaces	70

3.3	Modes of Operation	73
3.3.1	Load on Bypass	74
3.3.2	OK to Transfer	74
3.3.3	Momentary Overloads	76
3.3.4	Input Power Failure—Load on Battery	77
3.3.5	One Module Off-Line	78
3.3.6	Off Battery	79
3.3.7	Emergency Modules Off	80
3.3.8	Remote Emergency Power Off	81
3.3.9	System Shutdown	82
3.3.10	Maintenance Bypass	82
3.4	Manual Procedures	84
3.4.1	SCC Start-Up Procedure	84
3.4.2	UPS Module Start-Up	88
3.4.3	Load Transfer Procedures	91
3.4.4	Maintenance Bypass Load Transfers	92
3.4.5	Shutdown Procedures	93
3.5	Automatic Operations	95
3.5.1	Overloads (Without Transfer)	96
3.5.2	Automatic Transfers to Bypass	96
3.5.3	Automatic Retransfers to UPS	97
3.5.4	Automatic Module Off-Line	97
3.5.5	Automatic Emergency Modules Off	97
4.0	MAINTENANCE	98
4.1	Safety Precautions	98
4.2	Liebert Global Services	99
4.3	Routine Maintenance	100
4.3.1	Record Log	100
4.3.2	Air Filters	100
4.3.3	Limited Life Components	101
4.4	Battery Maintenance	102
4.4.1	Battery Safety Precautions	102
4.4.2	Torque Requirements	106
4.5	Detection of Trouble	106
4.6	Reporting a Problem	107
4.7	Corrective Actions	107
4.8	Recommended Test Equipment	107
4.9	Upstream Feeder Circuit Breaker Setting Inspections	107
5.0	SPECIFICATIONS	108
5.1	Rating	108
5.2	Environmental Conditions	109
5.3	Adjustments	110
5.4	Battery Operation	110
5.5	Electrical Specifications	111

FIGURES

Figure 1	Multi-Module UPS, 100-500kVA	2
Figure 2	Multi-Module UPS, 500-750kVA	3
Figure 3	System Control Cabinets	4
Figure 4	SCC controls and display screen with example of the Monitor/Mimic screen	7
Figure 5	Module controls and display screen with example of the Monitor/Mimic screen	8
Figure 6	UPS module block diagram	11
Figure 7	System Control Cabinet block diagram	16
Figure 8	Typical operator controls	21
Figure 9	Operator controls, typical SCCT System Control Cabinet	22
Figure 10	Series 610 UPS and SCC operator control panels	23
Figure 11	Switches behind SCC control panel door	24
Figure 12	Menu tree	25
Figure 13	SCC and module master menu screens	26
Figure 14	SCC Monitor/Mimic display screen	28
Figure 15	Module Monitor/Mimic display screen	30
Figure 16	Monitor/Mimic display example: Normal power flow	32
Figure 17	Monitor/Mimic display example: Utility fail	33
Figure 18	Monitor/Mimic display example: Load on bypass, UPS modules on and charging battery	34
Figure 19	Monitor/Mimic display example: Load on UPS, one UPS module off line	35
Figure 20	Monitor/Mimic Display example: Load on bypass, all UPS modules off line	36
Figure 21	Walk-in display screen during start-up	37
Figure 22	Status reports screen	38
Figure 23	Present status report screens, SCC (above) and module	39
Figure 24	Event history report screen	39
Figure 25	History status report screens	40
Figure 26	Battery cycle monitor screen	42
Figure 27	Battery cycle monitoring summary screen	43
Figure 28	Typical data on discharge cycles of 91 to 240 seconds duration during the recording period	43
Figure 29	SCC system configuration screen	44
Figure 30	Date screen	45
Figure 31	Time screen	46
Figure 32	Auto dial setting screen	47
Figure 33	Modem baud rate	48
Figure 34	Maximum auto-retransfer attempts screen	48
Figure 35	SCC system options screen	49
Figure 36	MMU system options screen	49
Figure 37	Battery test screen—MMU only	50
Figure 38	Battery test results screen	50
Figure 39	Monitor/Mimic display example: Continuous Duty Static Switch	51
Figure 40	Module alarm limit settings screen	52
Figure 41	Load transfer procedures screen	54
Figure 42	SCC start- up procedures screen	55
Figure 43	Module start- up procedures screens	56
Figure 44	SCC shutdown procedures screen	57
Figure 45	Module shutdown procedures screen	57
Figure 46	Battery time screen (15 minute discharge)	58
Figure 47	Battery time screen (45-minute discharge)	59
Figure 48	Accuracy range of values for calculated battery times	59
Figure 49	Meter calibration screen	61

Figure 50	Battery equalize screen	62
Figure 51	SCC status and alarm message areas	63
Figure 52	Load on bypass, UPS not available	74
Figure 53	Load on bypass, UPS available	75
Figure 54	Load on UPS, bypass available	75
Figure 55	Momentary overload, pulsed static bypass switch	76
Figure 56	Input power fail—load on battery	77
Figure 57	One module off-line, load on UPS	78
Figure 58	Load on UPS—battery not available	79
Figure 59	Emergency modules off	80
Figure 60	Emergency power off	81
Figure 61	System shutdown	82
Figure 62	Load on maintenance bypass, two breakers	83
Figure 63	Load on maintenance bypass, three breakers	83
Figure 64	SCC start-up procedures screen	87
Figure 65	Module start-up procedures screen	89
Figure 66	Load transfer procedures screen	91
Figure 67	SCC shutdown procedures screen	93
Figure 68	Module shutdown procedures screen	94
Figure 69	Current-versus-time curves of module overload capacity	96
Figure 70	Output power envelope for 0.8 and 0.9 pf rated units	108

TABLES

Table 1	Typical operator controls	21
Table 2	Typical SCCT System Control Cabinet operator controls	22
Table 3	Series 610 UPS and SCC operator control panels.	23
Table 4	Series 610 UPS and SCC operator control panels.	24
Table 5	Alarm conditions that freeze history data gathering	41
Table 6	SCC and module remote monitor indications	51
Table 7	Other alarms that activate summary alarms	51
Table 8	Abbreviations used in alarm messages	64
Table 9	Alarm messages - meaning and corrective action	65
Table 10	Alarm messages - summary	69
Table 11	Series 610 terminal commands	72
Table 12	Circuit breaker abbreviations	73
Table 13	Battery retorque values	105
Table 14	Battery voltage record	105
Table 15	Torque specifications (unless otherwise labeled)	106
Table 16	Recommended test equipment and tools	107
Table 17	Specifications applicable to environment	109

IMPORTANT SAFETY INSTRUCTIONS

SAVE THESE INSTRUCTIONS

This manual contains important instructions that should be followed during installation and maintenance of your Series 610 UPS and batteries.



WARNING

Exercise extreme care when handling UPS cabinets to avoid equipment damage or injury to personnel. Refer to separate installation manual for equipment handling information and installation procedures.

Follow all battery safety precautions in **4.0 - Maintenance** when installing, charging or servicing batteries. In addition to the hazard of electric shock, gas produced by batteries can be explosive and sulfuric acid can cause severe burns.

In case of fire involving electrical equipment, use only carbon dioxide fire extinguishers or others approved for use in electrical fire fighting.

Extreme caution is required when performing maintenance.

Be constantly aware that the UPS system contains high DC as well as AC voltages. With input power off and the battery disconnected, high voltage at filter capacitors and power circuits should be discharged within 30 seconds. However, if a power circuit failure has occurred, you should assume that high voltage may still exist after shutdown. Check with a voltmeter before making contact.

AC voltage will remain on the system bypass, the UPS output terminals and the static bypass switch, unless associated external circuit breakers are opened.

Check for voltage with both AC and DC voltmeters prior to making contact.

When the UPS system is under power, both the operator and any test equipment must be isolated from direct contact with earth ground and the UPS chassis frame by using rubber mats.

Some components within the cabinets are not connected to chassis ground. Any contact between floating circuits and the chassis is a lethal shock hazard. Exercise caution that the test instrument exterior does not make contact either physically or electrically with earth ground.

1.0 INTRODUCTION

1.1 System Description

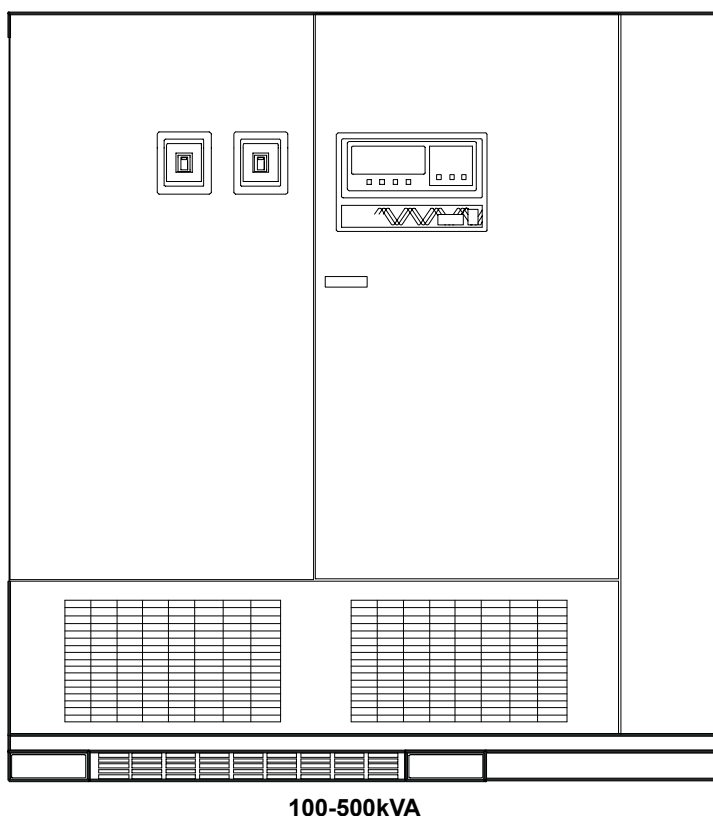
The role of the parallel-redundant multi-module UPS system is to supply uninterruptible, clean power to the critical load. The UPS maintains a full-voltage, low-distortion output, even if the utility source power sags, becomes distorted or fails.

If there is an outage of the source power, the UPS maintains power to the load until an alternate source of power is activated or until the original power source is restored. If input AC power is not restored, the UPS maintains the load (with a storage battery plant) long enough that the critical equipment can be shut down in an orderly manner or an alternate power source (e.g., Genset) can be brought on line. The Series 610 UPS module displays the rate of battery discharge and calculates the amount of battery time remaining based on the actual connected load. The time that the battery will maintain the load depends on the capacity of the battery backup plant and the size of the load.

The system control logic automatically manages critical bus operation. System logic is resident in digital control logic for precise control and improved reliability.

If the critical load current exceeds the rated load of the Series 610 UPS system, the control logic determines the magnitude of the overload and reacts appropriately. Overloads are usually the result of inrush current requirements. The UPS system supports loads that are 150% of the rated load for up to 30 seconds and 125% of the rated load for up to 10 minutes. If the system is operating in the non-redundant mode (e.g., a UPS module is off line), the overload limits are automatically adjusted.

Figure 1 Multi-Module UPS, 100-500kVA



If the load surpasses the overload capacity of the UPS, the load is automatically transferred to bypass without interruption. When the load returns to within the UPS rating, it is either automatically or manually returned (retransferred) to the UPS. How and when the load is returned to the UPS depends on several factors: how long the overload lasted, how many overload conditions occurred before transfer, whether there is an imminent failure of any part of the UPS, etc. Refer to **3.5 - Automatic Operations**.

In the unlikely event of a fault within the UPS, the SCC control logic, which continuously monitors all critical circuits within the UPS system, transfers the load to bypass without interruption and simultaneously activates local and remote alarms. If a fault is detected in an individual UPS module, that module is automatically disconnected from the critical bus and shut down. A **Module Off Line** status message will appear at the SCC display. The module can be manually returned to service when the fault has been corrected.

If the multi-module UPS system is operating in the redundant mode (at least one extra module is available for the connected critical load), the load will remain on the UPS system if one individual module is disconnected from the critical bus (off line). If the UPS system is operating in the non-redundant mode, the load will be automatically transferred to bypass if a module goes off line.

The Series 610 UPS display system provides precise monitoring of the UPS, fast alarm response and quick troubleshooting. For easy manual operations, menu-driven software provides access to several step-by-step help screens. All operator functions are performed using menu-prompted displays and a minimum number of operator controls. The System Control Cabinet includes external communication capability with both automatic transmit and receive features for early warning and diagnosis of abnormal conditions.

System software allows the operator or Liebert Global Services to enter application specific information. Overload, overvoltage, battery discharge and shutdown limits can be set by the operator. In effect, UPS operations are tailored for each site.

The UPS system protects critical equipment from source power disturbances and outages, load faults and UPS malfunctions. This triple protection virtually eliminates computer and computing equipment downtime as a result of utility source power problems.

Figure 2 Multi-Module UPS, 500-750kVA

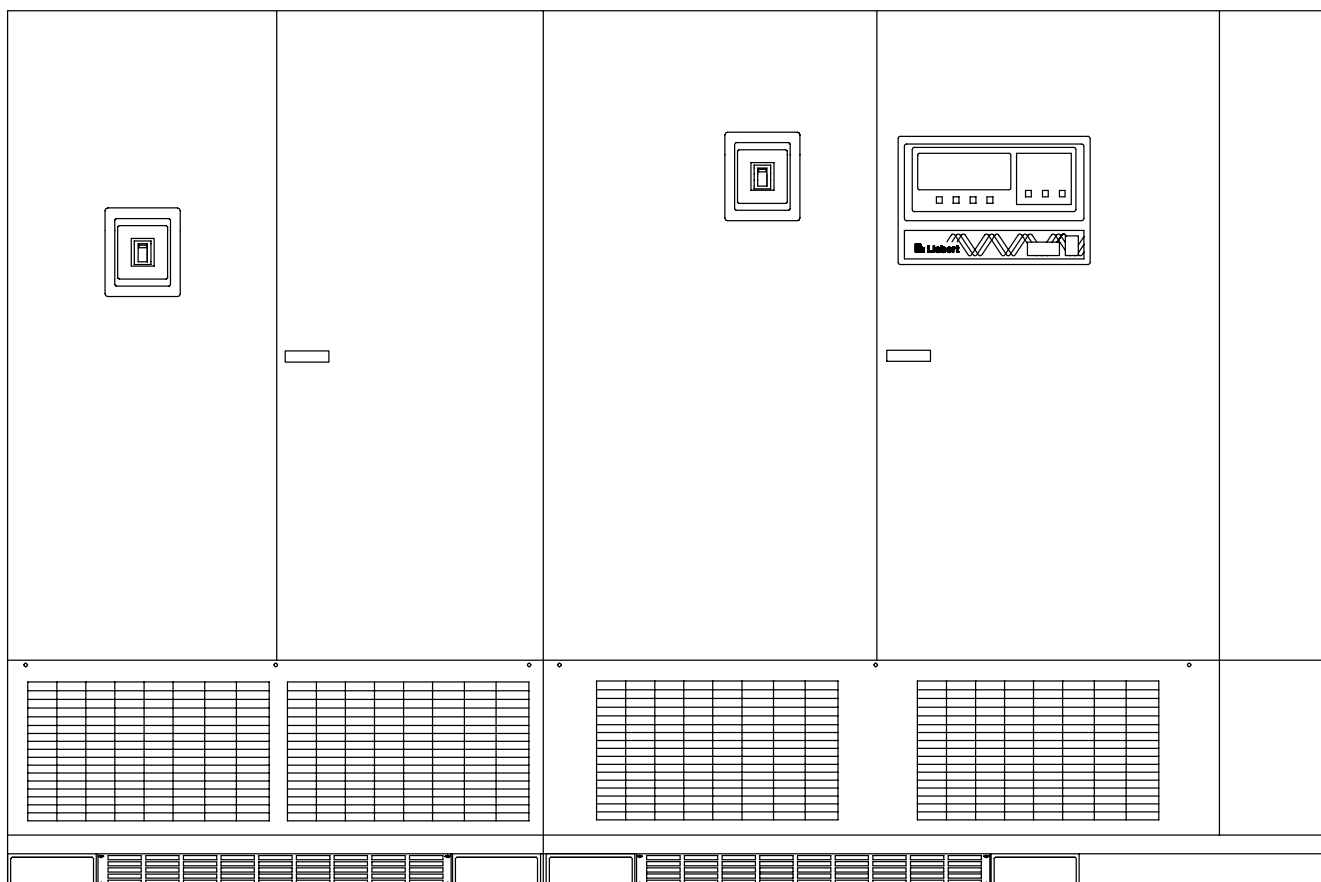
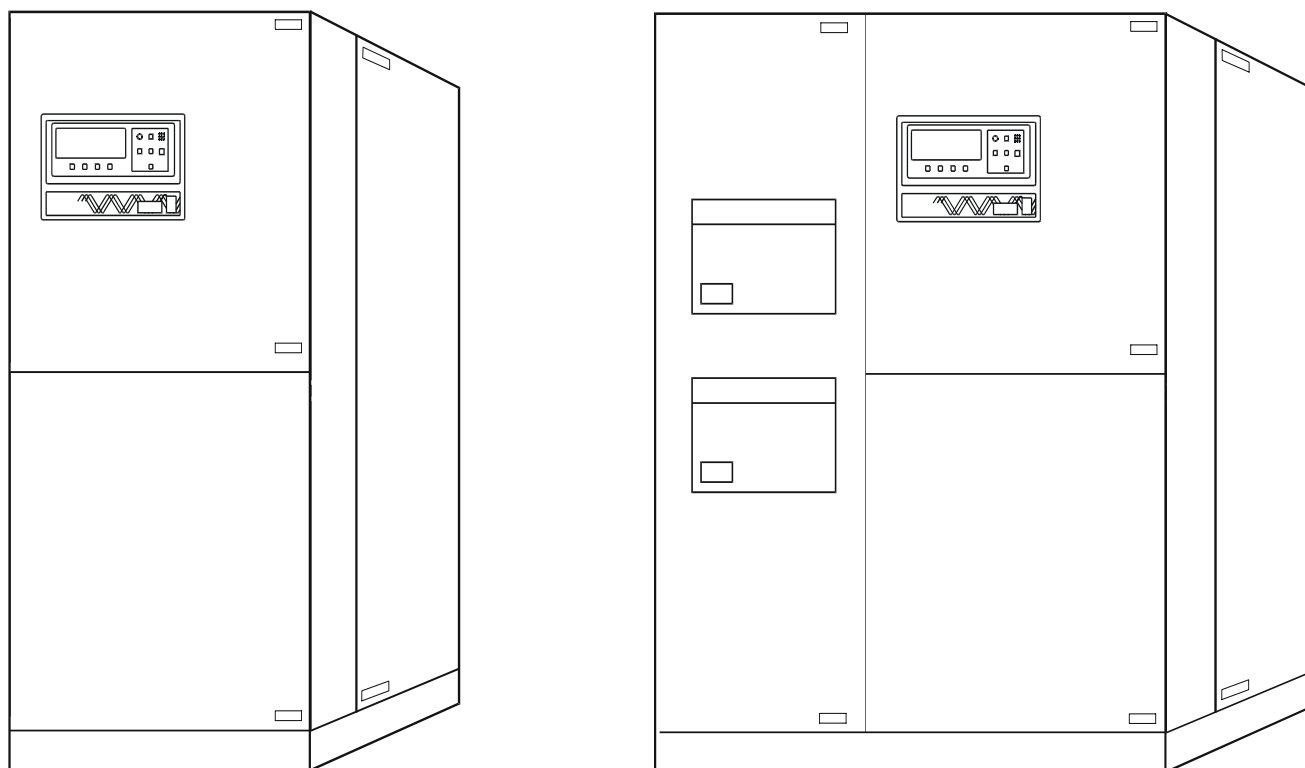


Figure 3 System Control Cabinets



Types of System Control Cabinets (SCCs)

- **SCCT**—A stand-alone cabinet containing system control logic for up to six UPS modules, a static bypass switch, manually operated disconnects for the static bypass switch and two motor-operated system circuit breakers.
- **SCCI**—System control logic and static bypass switch are integrated into a switchboard cabinet manufactured by others, which also includes the system circuit breakers.
- **SCCC**—An integrated configuration like the SCCI, but with a static switch rated for continuous duty.

1.2 Reliability

Reliability is the most important design goal for Uninterruptible Power Systems. Liebert Series 610 UPS systems have demonstrated reliability by achieving a field-proven critical bus MTBF in excess of 2 million hours. In addition, our Quality Assurance program is certified to the requirements of ISO 9001 standards.

Liebert Large UPS systems are ETL listed to the requirements of UL 1778. All equipment and components are manufactured to applicable UL, NEC, NEMA, ANSI, IEEE and CSA standards and guidelines.

Designed for Success

The keys to reliability in the design of the UPS system are using conservatively rated components, minimizing transfers to bypass, making operator controls understandable and providing easy access for maintenance and repair. Liebert UPS systems lead the industry in all these areas.

For example, the Series 610 can handle substantial overloads through the solid state static bypass switch without transferring to the bypass source. By minimizing transfers to bypass, the Series 610 minimizes operation of motor-operated circuit breakers and enhances system reliability.

As another example, the system control logic has been packaged into digital control logic to eliminate the failure-prone discrete logic boards used in other brands of UPS products. Furthermore, the logic is isolated from heat-generating components to ensure optimal operating temperatures.

Other Factors to Consider

Reliability depends on more than just UPS module design. Improper installation can cause any system to fail. To prevent this, customer engineers from Liebert Global Services thoroughly inspect the installation of all our systems to ensure they are installed properly and operating within performance specifications.

Once a UPS is properly installed, you—the on-site equipment operator—are the most important factor in preventing critical bus failures or unplanned transfers to bypass. To make your task easier, the Series 610 UPS provides easy-to-follow, prompted instructions on the industry's largest operator display screen.

If you ever need help, call Liebert Global Services (24 hours a day at 1-800-LIEBERT). Your attention to proper installation, operation and periodic maintenance will ensure that your mission-critical operations receive the best possible protection from electrical disturbances and outages.

1.3 Safety Precautions

Read this manual thoroughly, paying special attention to the sections that apply to you, before working with the UPS. Also refer to the battery manufacturer's manual, available on the manufacturer's Web site, before working on or near the battery.

Under typical operation and with all UPS doors closed, only normal safety precautions are necessary. The area around the UPS system and battery should be kept free from puddles of water, excess moisture or debris.

Special safety precautions are required for procedures involving handling, installation and maintenance of the UPS system or the battery. Observe precautions in the separate Installation Manual before handling or installing the UPS system. Observe precautions in **4.0 - Maintenance** before as well as during performance of all maintenance procedures on the UPS system or battery. Observe all battery safety precautions in **4.0 - Maintenance** before working on or near the battery.

This equipment contains circuitry that is energized with high voltage. Only test equipment designated for troubleshooting should be used. This is particularly true for oscilloscopes. Always check with an AC and DC voltmeter to ensure safety before making contact or using tools. Even when the power is turned Off, dangerously high voltage may exist at the capacitor banks. Observe all battery precautions when near the battery for any reason.

ONLY qualified service personnel should perform maintenance on the UPS system. When performing maintenance with any part of the equipment under power, service personnel and test equipment should be standing on rubber mats. The service personnel should wear insulating shoes for isolation from direct contact with the floor (earth ground).

Unless all power is removed from the equipment, one person should never work alone. A second person should be standing by to assist and summon help in case an accident should occur. This is particularly true when work is performed on the battery.

1.4 Modes of Operation

Refer to **2.0 - Theory of Operation** and **3.0 - Operation** for more details.

1.4.1 Normal—Load on UPS

The utility AC source provides power to the rectifier/charger in each UPS module. Each rectifier/charger converts the utility AC power to DC and supplies DC power to the UPS module inverter while simultaneously float charging the battery plant. Each UPS module inverter converts DC to AC and furnishes AC power to the critical bus. The System Control Cabinet (SCC) is the tie point for the paralleled modules and monitors and controls the critical bus performance.

1.4.2 Input Power Failure

If the utility source power fails or is outside the acceptable range, the battery plant becomes the primary supplier of DC power to the inverter.

1.4.3 Recharge

After the utility source power is restored or an alternate power source becomes available, each rectifier/charger slowly walks-in to once again power the inverters and recharge the battery plant.

1.4.4 Overload

Overloads in critical systems may be caused by inrush currents during connected equipment start-up or by faults in the critical load or distribution network. The Liebert Series 610 UPS system can maintain full output voltage regulation while sustaining the following overloads:

- Up to 150% for 30 seconds
- Up to 125% for 10 minutes
- Up to 104% for an indefinite period of time

For momentary faults above 155% of rated SCC current, the static switch turns on for 40 milliseconds to supply power from the bypass source. Up to 1000% of the rated current can be supplied for less than one cycle, while up to 500% of rated load can be sustained for the full 40 milliseconds of pulsed-parallel operation.

The critical load remains on the UPS modules for the above conditions. If the UPS system overload capacity is exceeded, an automatic transfer to bypass is initiated, which closes the system bypass circuit breaker (SBB) and opens the UPS output circuit breaker.



CAUTION

Whenever an overload occurs, it is imperative to determine the cause of the overload.

1.4.5 Redundant

If the multi-module UPS system includes one more module than the number required to supply the critical load, the UPS system can operate in the redundant mode. This means that the load will remain on the UPS system if one of the modules is disconnected because of an overload, an internal fault or for maintenance. If the additional module is not included in the system design or if the additional module is disconnected from the critical bus, the UPS system operates in the non-redundant mode.

1.4.6 Bypass—Internal

The SCC control logic initiates an automatic transfer to the bypass source if the overload-current-versus-time curve is exceeded or if specified UPS system faults occur. You can also manually transfer the load to the bypass (without interruption) if you must take the UPS module out of service for maintenance.

The SCC internal bypass will allow most key components and operating modes to be checked without disturbing the critical bus. However, certain key power-carrying components, such as the output and bypass circuit breakers, will require isolation through an external maintenance bypass cabinet or complete system shutdown to maintain 100% critical load operation.

1.4.7 Maintenance Bypass

The installation of a Maintenance Bypass Cabinet, Panelboard or Switchboard is recommended to allow you to totally isolate the UPS from all power sources. Use of the Maintenance Bypass is described in **3.0 - Operation**.

1.4.8 Off-Battery

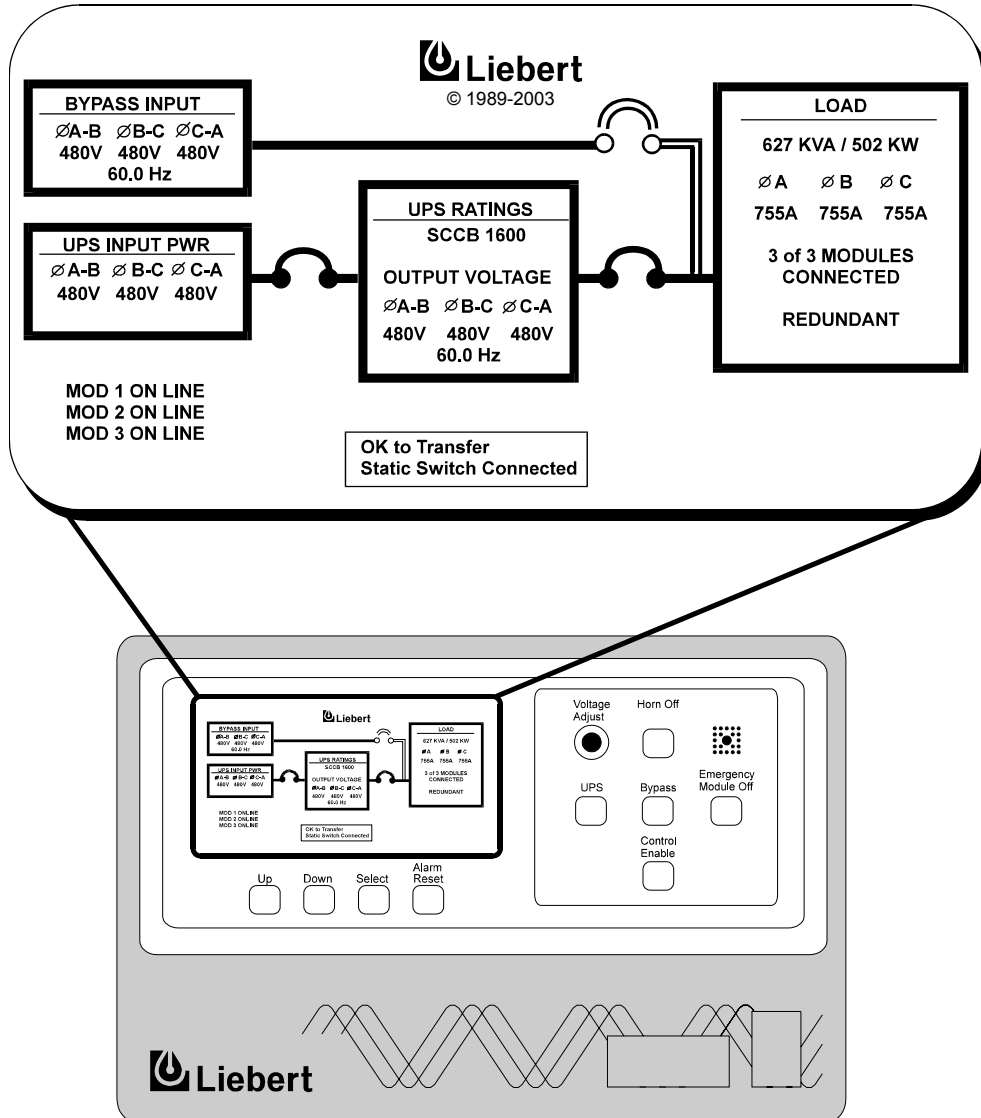
The battery plant can be disconnected from the rectifier/charger by using an external Module Battery Disconnect (MBD) circuit breaker. The UPS module continues to function normally, though it does not have power outage back-up capability until the battery plant is reconnected.

1.5 Operator Controls

The Liebert Series 610 UPS System Control Cabinet (SCC) and each individual module are equipped with a microprocessor-based Operator Display Screen and Control Panel designed for convenient and reliable operation.

The front panel location of the monitoring and control system enables the user to quickly identify the current status of the UPS and to perform most of the manual operations. The operator display screen (a backlit liquid crystal display or LCD) is driven by an easy-to-follow menu-prompted software program that controls and monitors the UPS system.

Figure 4 SCC controls and display screen with example of the Monitor/Mimic screen

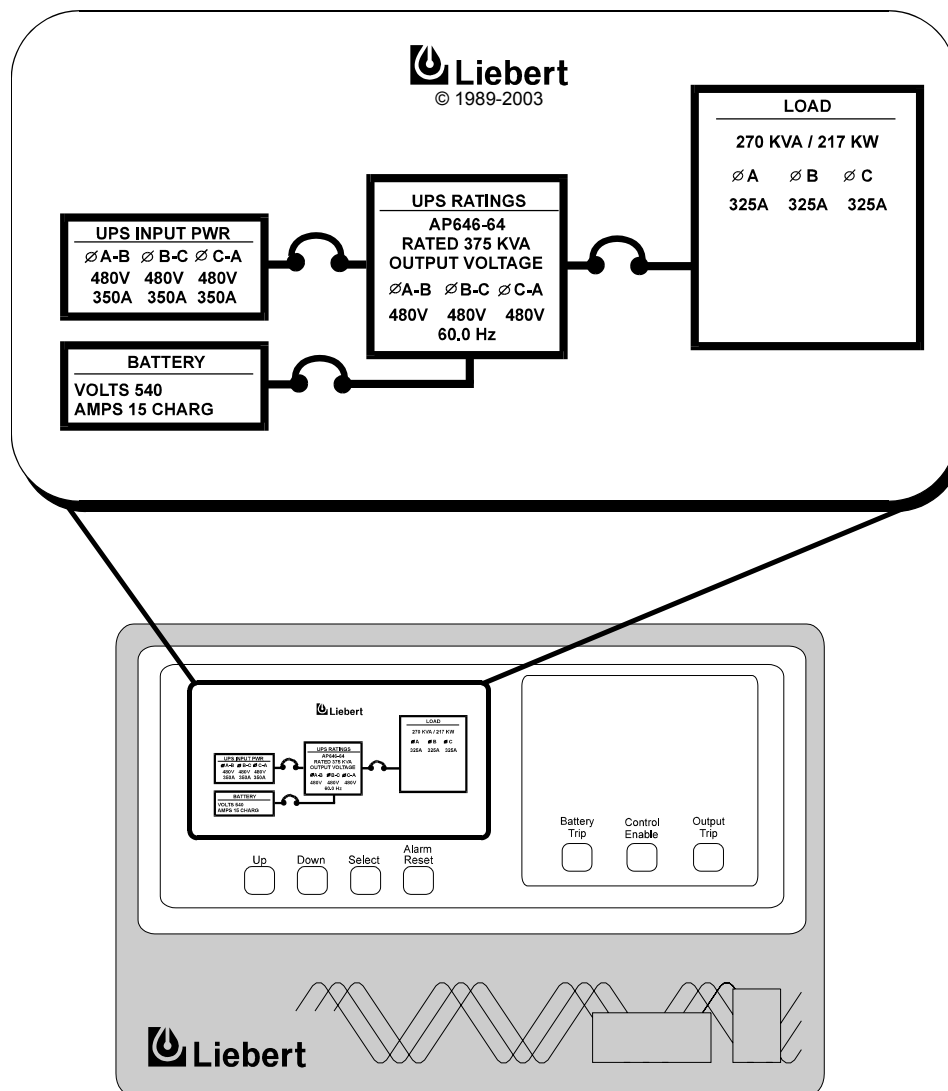


The operator controls and Monitor/Mimic screen for the System Control Cabinet (SCC) are shown in **Figure 4**. The controls and display screen for each UPS module are shown in **Figure 5**. Each cabinet (SCC or module) has the displays and controls required to monitor and perform its functions.

Figure 4 shows a three-module system designed for redundant operation. A multi-module UPS system may include up to six (6) modules for each SCC.

Detailed instructions on how to interpret the displays and use the controls are in **3.0 - Operation**.

Figure 5 Module controls and display screen with example of the Monitor/Mimic screen



1.6 Options

A number of options are available from Liebert for your UPS system. (Some options are not available for all ratings.) Described below are the most frequently provided options. Note that the battery items (1- 3) are required to complete the UPS system. The remaining options provide improved system performance or convenience. Other options are available. Contact your Liebert sales representative for more information.

1. Battery

The batteries provide power in the event of a power outage. The Liebert UPS can use a variety of battery types, provided the battery plant is designed for the UPS DC voltage range and the load requirements of your application.

2. Battery Racks or Cabinets

The battery racks are specifically designed for stationary service batteries. They are painted with electrolyte-resistant paint for corrosion resistance. Battery cabinets are available for 150 through 600kVA modules.

3. Module Battery Disconnect

The UPS system utilizes a separate Module Battery Disconnect for remotely located batteries. A sensing circuit in the UPS module, set at the battery low voltage limit, trips the Module Battery Disconnect to safeguard the battery from excessive discharge. The Module Battery Disconnect has an undervoltage release mechanism designed to ensure that during any shutdown or failure mode all battery potential is removed from the UPS system.

4. Input Current Distortion Filter

This filter reduces rectifier input current reflected harmonic distortion to less than 7% reflected THD and less than 4% reflected THD for modules with the optional 12-pulse rectifier. The filter is factory installed within the UPS. This filter also improves the input power factor to better than 0.92 lagging.

5. 12-Pulse Rectifier

All 500-750kVA models may be ordered with the optional 12-pulse rectifier section; this feature is standard in 1000kVA models. This provides input isolation and reduces input current reflected THD to less than 9% or less than 4% with optional input filter.

6. Isolation Transformers

An optional rectifier input isolation transformer is available in a matching transformer cabinet; this feature is standard in 1000kVA models. A bypass isolation transformer is also available.

7. Three Breaker Maintenance Bypass

This switchboard provides make-before-break maintenance bypass. It includes: UPS Bypass Input Breaker (BIB), Maintenance Bypass Breaker (MBB) and Maintenance Isolation Breaker (MIB).

8. Two Breaker Maintenance Bypass

This switchboard provides make-before-break maintenance bypass. It includes: Maintenance Bypass Breaker (MBB) and Maintenance Isolation Breaker (MIB).

9. Load Bus Synchronization (LBS)

The Load Bus Sync (LBS) option keeps two independent UPS systems (and therefore their critical load buses) in sync, even when the modules are operating on batteries or asynchronous AC sources. This means that critical loads connected to both load buses through a Static Bus Transfer Switch can be switched seamlessly between the two.

10. SiteScan Central Monitoring System

Liebert manufactures a central monitoring system that automatically displays key UPS measurements and alarms, as well as data from a variety of sensors. This monitoring system activates alarms so corrective action can be taken. Events and data can be printed in hard copy. Data can be logged for analysis.

11. Remote Monitor Panel

The UPS system may also be provided with an optional Remote Monitor Panel. This Panel provides eight LED indicators and may be placed at a convenient location near the critical load. A functional description of the Remote Monitor Panel is provided in **3.0 - Operation** of this manual.

12. Customer Alarm Interface

This optional interface board allows the input and display of 8 alarms from customer-supplied contacts, each with a customer-selected name of up to 16 characters. The following attributes can be user programmed for each alarm: latching, summary, freeze history, sound horn, auto-dial and time delay (0 to 999.9 seconds).

13. Temperature-Compensated Charging

When battery temperature climbs above a preset limit (typically 77 degrees F), this optional circuit proportionally reduces float charging voltage to prevent overcharging the battery.

14. Battery Load Testing

When activated, this option forces the battery string to assume the load for a short period of time. The UPS then compares the test results to data collected during the UPS commissioning to see if the battery system appears to meet specifications.

2.0 THEORY OF OPERATION

2.1 General Component Descriptions

The UPS system includes all of the equipment necessary to continuously provide computer-grade AC power to a critical load, even when there is an interruption of the utility power. It consists of a System Control Cabinet (SCC), UPS modules and a back-up battery plant. Refer to **Figure 6** and **Figure 7**. Except where otherwise noted, the configuration is presumed to be parallel-redundant (with at least one more UPS module than required to support the rated load).

2.1.1 System Control Cabinet

The System Control Cabinet (SCC) includes system controls, static bypass switch, load transfer control, protective devices and other accessories. The system controls simultaneously monitor two or more parallel UPS modules sharing a critical load for increased capacity and/or redundancy. The two (2) motor-operated system circuit breakers (system bypass breaker—SBB and UPS output breaker) may be contained within the SCC, depending on the configuration designed for your installation.

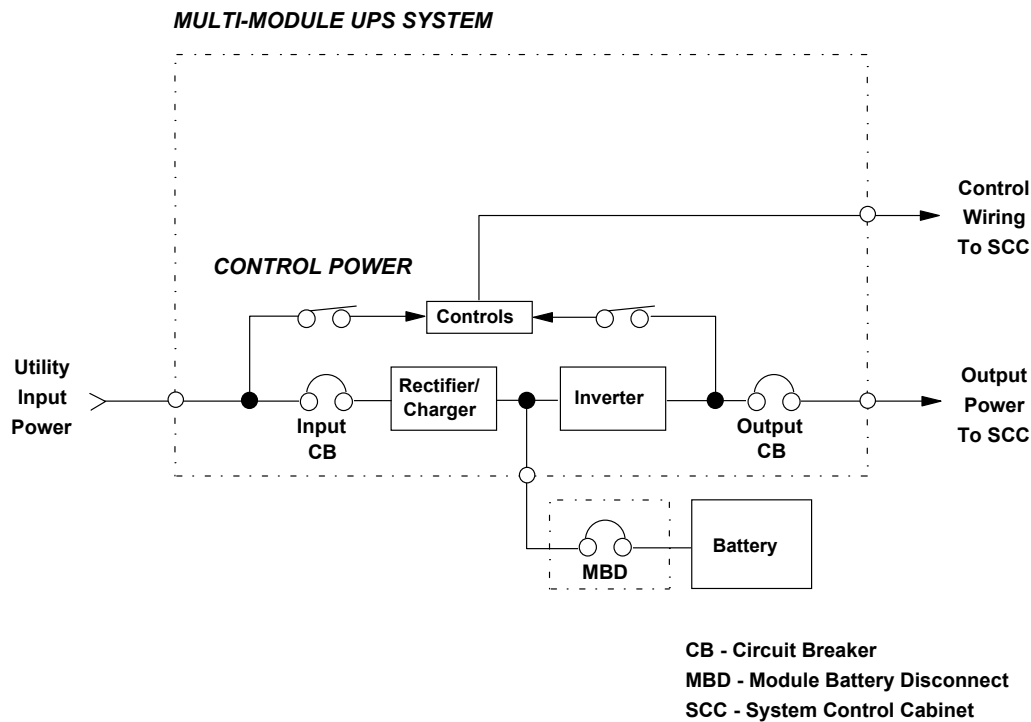
System Controls: The system control logic automatically manages critical bus operation and monitors performance of the UPS modules. Microprocessor technology and dedicated firmware provide advanced logic control and a comprehensive display of information. The system control logic synchronizes the output of the UPS system to the bypass source. The SCC includes ports for communicating with external devices. Liebert Multi-Module Units do not require an SCC for load sharing. Automatic, parallel module load sharing is a function built into the modules themselves; however interconnection through the SCC enables the modules to share data for more precise control. Modules do not require master clocks or controls in order to load share or free-run at 60.0 Hz.

Static Bypass Switch: The static (solid-state) bypass switch immediately transfers the load from the inverter to the bypass AC power source in the event of a severe overload on the system or a failure within the UPS. This transfer takes place without any interruption of the power supplied to the load. In all SCCT control cabinets 1600A or larger and in all SCCI and SCCC control cabinets, the system includes redundant circuits to detect and isolate shorted SCRs in the static switch.

Fuses are installed in series with the static bypass circuit (with the exception of the continuous duty static switch installed in the SCCC control cabinet) to ensure reliable overload protection in the unlikely event of a catastrophic output condition (e.g., a dropped wrench) electrically close to the output of your UPS system. The static switch SCRs themselves are rated to easily handle the fuse-blowing current.

Bypass Circuit: The bypass circuit consists of electrically operated circuit breakers and associated synchronizing and control circuitry to transfer the load to/from the bypass source.

Figure 6 UPS module block diagram



2.1.2 UPS Module

The UPS module consists of module controls, a rectifier/charger, an inverter, protective devices and other accessories.

Module Controls: The module control logic monitors performance of the UPS module. The UPS module status is displayed locally and is also sent to the System Control Cabinet.

Rectifier/Charger: The rectifier/charger converts utility power from AC to DC to charge the battery and provide the DC input to the inverter. Its design limits reflected harmonic current distortion to source power and provides low-ripple DC power for charging batteries. Multiple rectifier/chargers can share a common battery plant, if that configuration is preferred for your application.

Inverter: The inverter converts DC power into the precise AC power required to supply a sensitive critical load. The inverter converts DC power into a pulse-width-modulated (PWM)/six-step waveform that is easily filtered into a clean sine wave output. The PWM/stepwave also minimizes the harmonic voltage distortion caused by typical switching power supplies and other non-linear load components used in computers and related electronics.

2.1.3 Battery Plant

The battery is used as the alternate source of power to supply DC power to the inverter if the AC supply voltage is outside the acceptable range. The battery supplies power to the inverter until the utility power is restored or until an alternate power source is available. If AC source power is not restored or an alternate power source is not available, the battery can be sized to provide power long enough for an orderly shutdown of the load.

2.2 Detailed Component Descriptions

2.2.1 Controls

Hardware

The Series 610 UPS Operator Interface Display System is designed to provide all of the information that is required for the operation of each UPS cabinet (the System Control Cabinet and each module). The following is a list of the hardware features:

1. The control logic performs automatic operations with minimal operator interface. The limited number of manual controls are easy-to-use.
2. Each Series 610 UPS cabinet is equipped with an easy-to-read 640 x 200 pixel backlit liquid crystal display (LCD) screen. It presents information in a way that is easy to understand at an eye-level front panel location.
3. The display is controlled by a dedicated microprocessor with a flash-updatable program, non-volatile static RAM and a battery-backed system clock.
4. The Series 610 System Control Cabinet (SCC) has communication ports (terminal board connections) for:
 - a. Transmission of present status information to remote terminals via a resident auto-dial communications program and an optional internal or external modem. This port also responds to inquiries of the UPS system status and history from the remote terminal.
 - b. Reporting UPS system status and history information in response to inquiries from a local terminal (no modem required).
 - c. Reporting to a local monitor the information requested from the local terminal.
 - d. Reporting information to a Liebert SiteScan central monitoring system.
 - e. Relaying selected alarm messages to a Liebert Remote Monitor Panel and to a separate terminal board for customer use.
 - f. Relaying performance and status information to your network monitoring system via SNMP interface (optional).

Software

The operator interface display system software enables the operator to monitor the UPS system status, to control the power flow through the UPS, to monitor all of the meter readings, to execute the start-up, shutdown and load transfer procedures, to access the event history files and to make adjustments to the programmable parameters. The following is a list of the software features:

1. The menu-driven software prompts the operator for input.
2. Step-by-step instructions assist the operator during the start-up, shutdown and load transfer procedures. This helps to eliminate operator errors.
3. Graphics-based mimic diagrams illustrate circuit breaker status and the power flow through the UPS system.
4. The Present Status screen reports information about the system's present status. The History Status screen chronicles the events leading up to and immediately after a fault. The Event History screen lists all of the alarm messages that have been logged over a period of time.
5. The Battery Cycle Monitor records information on up to 132 battery discharge events. Information includes date, time, length of discharge, highest current demand, lowest battery voltage and cumulative battery amp hours discharged.

Refer to **3.0 - Operation** for a description of the controls and indicators located on the Operator Control Panel.

2.2.2 Rectifier/Charger

The UPS module rectifier/charger consists of an input circuit breaker, AC current limiting circuit, battery equalize charge circuit, DC filter, battery charge current limiting circuit and bridge rectifiers. Optional items are an isolation transformer and a 12-pulse rectifier (these are standard on 1000kVA units).

Operation

The rectifier/charger converts the AC input power to DC power. This conversion is accomplished by 3-phase bridge rectifiers using SCRs. All phases are individually fused. Input current reflected THD is less than 7% at full load with optional input filter or 30% without. For modules 500kVA and larger, the optional 12-pulse rectifier reduces reflected THD to less than 4% with optional filter or 9% without.

The filtered output of the rectifier/charger provides regulated DC power to drive the inverter and charge the battery.

Input Circuit Breaker

The input circuit breaker (CB1) is sized to allow enough current to recharge the battery and supply a full rated load at the same time. The circuit breaker contains a thermal magnetic trip mechanism and an undervoltage release that interrupts power, preventing damage to the system, if there is an internal AC overcurrent condition or a short circuit. The circuit breaker also opens during certain alarmed faults. This circuit breaker must be closed manually.

Isolation Transformer

The optional input isolation transformer—standard with 1000kVA models and with the 12-pulse rectifier option—has a dry type core and copper windings with Class H insulation. The transformer on modules with standard 6-pulse rectifier has wye primary and delta secondary windings. For models with the optional 12-pulse rectifier, the transformer has a delta primary, with delta and wye secondary windings. The isolation transformer provides the initial step of critical bus isolation. This reduces the AC shock hazard at the battery and at other DC components and prevents a DC fault from disrupting upstream AC circuitry.

The transformer has a nominal tap and one tap 6% below the rated nominal input voltage (normally used for 460 VAC input).

Input Current Limit

AC input current-sensing transformers (CTs) are used to measure current levels. Control circuitry connected to the CTs restricts the AC current to less than 125% of the full input current rating by reducing the battery charging voltage. This current limit is adjustable from 100 to 125% and is factory-set at 115%.

An optional second level of input current limit is initiated by an external contact closure (field supplied for use with back-up generator) and is adjustable from 85 to 100% (factory-set at 100%). This second level of input current limit may be used to set the maximum amount of input current permitted under all operating conditions of connected load and battery recharge.

During a start-up procedure, the current slowly ramps up (walks-in) from 20% of the rated input current to 100% over 15 to 20 seconds. The maximum rate of change of the AC input current is 15% per second. The input current walk-in reduces the start-up surge effects on all other equipment connected to the same source and prolongs the service life of internal components.

Input Current Inrush

The maximum sub-cycle of inrush current due to the optional input isolation transformer is typically less than five times the rated input current for the first 1/2 cycle with the optional input filter. Without this transformer, inrush current is typically less than three times nominal.

Input Power Factor

The rated input power factor is not less than 0.85 lagging at the nominal input voltage and the full rated UPS load. The optional input filter will improve the power factor to better than 0.92 lagging at full load. Refer to your submittal package or installation drawings in the installation manual for your specific model.

2.2.3 Battery Charging Circuit

The UPS module charging circuit is capable of recharging the battery plant to 95% of full capacity within 10 times the discharge time. Recharging the last 5% takes longer because of characteristics inherent in the battery. DC ripple voltage is limited to less than 0.5% RMS to preserve battery life during long-term float charging while the UPS system is operating on utility source power.

Multiple UPS module rectifier/chargers can share a common battery plant, if that configuration is preferred for your application.

Operation After Discharge

When commercial power is interrupted, the battery continues to supply DC power to the inverter without interruption to the critical load. If the AC source power is restored before the battery has fully discharged, the rectifier automatically restarts and resumes carrying the inverter and battery recharge load requirements.

Operation After End-of-Discharge

The battery time screen displayed on the control panel enables you to estimate when battery shutdown will occur. If the battery plant discharges to the shutdown point during an outage, the UPS automatically disconnects the load, the AC input and the battery. After AC input power is restored, the rectifier can be manually restarted by the user.

Battery Disconnect

The external module battery disconnect (MBD) circuit breaker is used to isolate the UPS module from the battery during maintenance and to automatically disconnect the battery from the inverter at the end of battery discharge. The MBD circuit breaker can be opened or tripped automatically, from the control panel or manually. It must be closed manually.

Battery Charge Current Limiting

The battery recharge current, after a battery discharge, is limited to between 1 and 25% (adjustable) of the full load discharge current. An additional (optional) charge-limiting circuit can be activated by external dry contact closure (field supplied) for use when operating on a back-up generator. These two levels of control regulate the amount of current that flows from the power source to the battery while the battery is recharging.

The battery charge current limit is factory-set at 10% for normal operation and at 1% for alternate power source recharge operation.

Battery Equalize Charge Circuit

The battery equalize charge feature can be manually initiated or it can be programmed to operate automatically. Either can be selected from the battery equalize screen displayed on the control panel.

The battery equalizing charge circuit increases the rectifier/charger output voltage to charge the battery any time there is a power outage of 30 seconds or longer. The equalizing voltage is slightly higher than the float voltage. Equalize charging is primarily used in flooded battery systems to boost individual cells that are at a low state of charge, per the battery manufacturer's specification and recommendations.



NOTE

Do not use equalize charging with valve-regulated lead-acid batteries.

Consult the battery manufacturer's manual, available on the manufacturer's Web site, for specific information about equalize charging.

2.2.4 Inverter

The inverter is a solid state device that converts the DC output of the rectifier/charger or the battery to AC power.

Operation

The inverter converts DC power—from either the battery or the rectifier/charger—into three pulse-width-modulated/six-step waveforms. These waveforms are filtered into low-distortion sine wave power. The inverter is controlled by digitally controlled logic. This logic controls the precise synchronization, amplitude and frequency of the output voltage.

In addition to the inverter efficiently supplying a regulated AC output from a DC source, the output isolation transformer acts as a second stage of isolation between the critical load bus and the commercial source power. The inverter is configured to handle most critical load inrush surges. It maintains output voltage Total Harmonic Distortion (THD) within specifications even when handling non-linear computer loads. Refer to **Non-Linear Load Characteristics**.

Output Regulation and Overload Performance

The inverter is capable of sustaining full output voltage ($\pm 2\%$ of the nominal voltage) for up to 150% overload at the output for as long as 30 seconds without reducing the output voltage. It can also handle at least 125% of the rated current for up to 10 minutes and 104% of the rated current continuously. The System Control Cabinet (SCC) will transfer the critical load to the bypass source if the overload exceeds the system capacity or the capacity of the modules on-line. The multi-module overload capacity (in terms of percent of rated full load current of modules on-line) is 140% for 20 seconds, 108% for 10 minutes and 104% continuously.

Note that in normal operation the SCC will transfer the load to bypass before a UPS module exceeds its overload capacity. If an individual module overload condition is sustained (beyond inverter capacity) the UPS module is automatically taken off-line (disconnected from the critical bus) and is shut down. If the UPS system is operating in the redundant mode, the load may remain on the UPS system. Refer to **3.5 - Automatic Operations**.

Non-Linear Load Characteristics

Computers and computer equipment with switching power supplies generate non-linear currents rich in fifth and seventh harmonics.

The inverter pulse-width-modulated/six-step waveform, coupled with the output filter, provides a natural path for reducing the fifth and seventh harmonic currents produced by the load. The inverter/filter limits the output voltage THD to less than 5% with up to 100% typical electronic data processing (EDP) loads. EDP equipment characteristically includes both non-linear and linear load components.

Unbalanced Load Characteristics

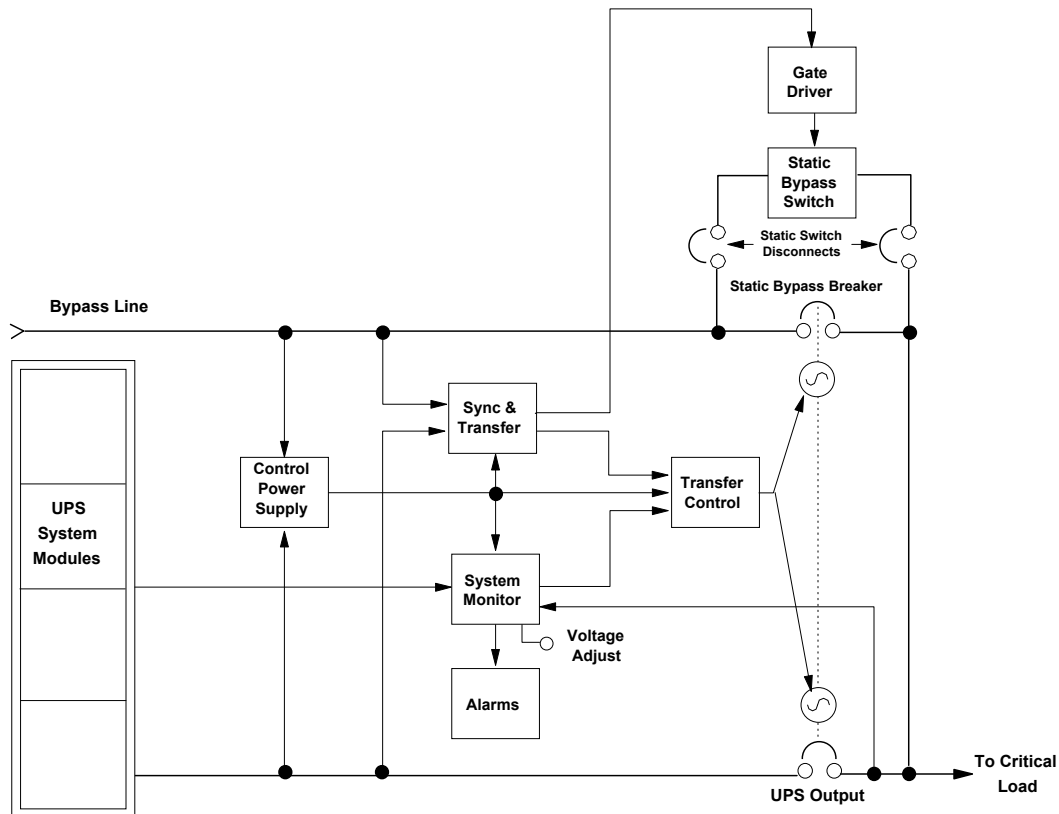
Unbalanced loads are actively regulated. The phase-to-phase voltage balance is maintained to within 2%, even with a 50% load imbalance.

The three-phase, root mean square (RMS—approximately 70% of the peak) average voltage is also regulated through a separate control circuit (phase-to-phase sensing).

2.2.5 Static Bypass

A static bypass is an integral part of the UPS System Control Cabinet (SCC). Refer to **Figure 7**. The static bypass consists of two reverse-paralleled SCRs (silicon-controlled rectifiers) per phase and solid-state switching devices working in conjunction with the motor-operated System Bypass Breaker (SBB). An automatic transfer control circuit senses the status of the operator controls, UPS logic signals and alarm messages and critical bus operating conditions. If the UPS modules can no longer supply the critical load, the static bypass switch (in conjunction with the SBB and UPS Output Breaker) automatically transfers the critical load to the bypass source without interruption.

Figure 7 System Control Cabinet block diagram



Fuse Protection

The static bypass switch path uses two back-to-back SCRs per phase. Each phase is individually protected by a fuse sized to clear only in the event of a catastrophic fault (with the exception of the continuous duty static switch used in the SCCC control cabinet). This is a more reliable method than depending on external protection devices. The fuses are in the circuit to protect the critical bus distribution equipment against catastrophic faults. The static switch SCRs are oversized to easily handle any current surges that may blow the fuses.

Shorted SCR Monitoring

In all SCCI and SCCC control cabinets, and all SCCT control cabinets 1600A and larger, the static bypass system has redundant shorted SCR sensing circuits and disconnects. This will prevent UPS output power backfeed to the distribution system even if two component failures exist simultaneously. If a shorted SCR is detected, the static bypass switch is isolated and annunciated at the SCC control panel, and the critical load remains on UPS output power.

In all SCCT control cabinets smaller than 1600A, the static bypass system is equipped with redundant disconnect circuits that prevent backfeed of lethal voltage to a de-energized bypass input in the event of a shorted static switch SCR. If the bypass input power is interrupted, the static switch disconnect devices will open, preventing backfeed of inverter voltage to the bypass input terminals.

Static Switch Isolation

The motor-operated system bypass circuit breaker (SBB), wired in parallel with the static switch, automatically closes in approximately 200 milliseconds after the load is transferred to the bypass power source, removing the static switch from the power flow.

Also, if required for maintenance, the static switch can be isolated from the bypass line by opening (to the OFF position) the Static Switch Disconnects. For maintenance, this should only be done with the UPS system critical load on bypass power.

Pulsed Parallel Operation

When an overload condition such as magnetic inrush current or a branch load circuit fault exceeds the overload capacity of the connected modules, the static bypass switch pulses on for 40 milliseconds. This allows up to 1000% of the rated full load current from the bypass line to clear the overload without closing the bypass circuit breaker. The bypass source is briefly in parallel with the UPS system, permitting the bypass source to carry the initial overload current. If the overload clears before 40 milliseconds, a load transfer to bypass is not made. If the overload condition continues, the automatic transfer is made (maintaining the load voltage within the specified limits).

This pulsed static switch operation reduces nuisance operation of motor-operated circuit breakers for such short-term conditions and serves, under some circumstances, as a backup in the event that an external bypass feeder breaker trips open during this pulse-paralleling period.

Load Transfers

Transfers to (transfer) or from (retransfer) the bypass may be performed automatically or manually in a make-before-break sequence. This is accomplished through the overlapping operation of the UPS output and the system bypass power switching devices.

Manual load transfers and retransfers are initiated by the operator from the System Control Cabinet (SCC).

In a manual operation or an automatic retransfer, the two motorized circuit breakers—UPS output and system bypass—are both closed simultaneously for a short period of time (overlap).

Automatic transfers are initiated by the SCC system control logic when an overload is beyond the specified capabilities of the UPS system or when a fault occurs within a non-redundant UPS module. An automatic retransfer is initiated if this function is enabled and if system conditions for a retransfer are present.

In an automatic transfer, the circuit breakers do not overlap, but, during the short time gap, bypass power is supplied to the critical load through the solid state static switch. In an SCC control cabinet with a continuous duty static switch, if for some reason the Static Bypass Breaker (SBB) fails to close, the static switch will carry the load continuously.

Transfer and Retransfer Conditions

1. Automatic Transfers to Bypass

Critical bus conditions that will initiate an automatic transfer of the critical load from the UPS system to the bypass source are:

- a. System Overload: overcurrent condition in excess of the overload rating of the System Control Cabinet (SCC).
- b. Output Overload: overcurrent condition in excess of the current-versus-time overload capacity of UPS modules **ON LINE**.
- c. Overvoltage/Undervoltage (OV/UV): critical bus voltage is outside the allowable tolerance.
- d. Non-redundant UPS Module Inoperative: an essential UPS module is taken **OFF LINE** for one of the reasons below.
 1. Battery discharged to the shutdown voltage.
 2. Inverter overload capacity exceeded.
 3. Inverter or rectifier fault condition (power, logic or overtemperature) present or imminent.
 4. Failure of UPS module logic or logic power.
- e. SCC Logic:
 1. Emergency Module Off (EMO) circuit activated.
 2. Failure of UPS system logic or logic power.

2. Manual Transfers

Manual transfers may be initiated at any time provided no transfer inhibition conditions are present.

3. Transfer Inhibited

A manual transfer to the bypass source will be inhibited if any of the following conditions exist:

- a. UPS system to bypass voltage difference (ΔV) exceeds a predetermined percentage (normally 5%).
- b. Static switch disconnects open.
- c. OK to Transfer signal from the control logic is not present.



NOTE

A load transfer to the bypass line will be completed whenever an automatic transfer to bypass is initiated. If the Static Switch Unable alarm message is present for any reason (including a $\pm 20^\circ$ phase lock synchronization error), the automatic transfer will be interrupted for 40-120 milliseconds. Because of the reliability of the UPS components, an interrupted load transfer is a very unlikely occurrence.

4. Automatic Retransfers to UPS

Critical bus conditions that must be present to initiate an automatic retransfer (Auto-Rexfer) of the critical load from the bypass source to the UPS system are:

- a. The number of Auto-Rexfer Attempts selected must be greater than zero (0). If zero (0) is selected, no automatic retransfer will occur.
- b. Critical load was initially transferred to the bypass source due to a system overload only.
- c. Overload has since dropped below 100% of the rated SCC current.
- d. Enough UPS modules are ON LINE to supply the critical load.
- e. OK to Transfer signal received from the control logic for at least 10 seconds, within 5 minutes of the overload transfer. (A manually initiated retransfer from bypass is required for overloads lasting 5 minutes or more.)
- f. Cyclic-type system overloads, which occur up to five (select range is 0 to 5) times in 60 minutes, are automatically returned to the UPS system for each event including the Nth overload. A manually initiated retransfer from bypass is required for the N+1 overload.

5. Manual Retransfers

Manual retransfers may be initiated at any time provided no retransfer inhibition conditions are present.

6. Retransfer Inhibited

A retransfer from the bypass source to the UPS system shall be inhibited if any of the following conditions exist:

- a. Manual (and Automatic) Retransfer Inhibitions:
 1. UPS system-to-bypass voltage difference (ΔV) exceeds a predetermined percentage (normally 5%).
 2. System circuit breaker (UPS output or SBB) is inoperative.
 3. OK to Transfer signal from the control logic is not present.
 4. Not enough UPS modules are ON LINE to supply the connected critical load.
- b. Automatic Retransfer Inhibitions (in addition to those above):
 1. The load transfer to bypass was not caused by a system overload.
 2. Excessive cyclical overloads within a one-hour period.
 3. Retransfer conditions are not satisfied within 5 minutes of the initial transfer.

2.2.6 Redundant Mode

The typical multi-module UPS system is configured with a back-up (redundant) UPS module, connected in parallel to share the critical load with the other module(s). This parallel redundant system includes one more module than is required to supply the full critical load.

A parallel redundant system will always be in the Redundant Mode if all modules are ON LINE. In addition, if the critical load is reduced so that not all ON LINE modules are required, the UPS system can also operate in the Redundant Mode with one or more modules OFF LINE. The critical load will remain on the UPS system—even if one or more of the modules is taken OFF LINE for maintenance or because of an internal fault—as long as the remaining ON LINE modules can carry the full connected system load.

The system control logic monitors the connected critical load and the number of UPS modules ON LINE. If the UPS system is operating in the Redundant Mode, the REDUNDANT status message will be displayed at the System Control Cabinet (SCC). If the UPS system is operating in the Non-Redundant Mode (redundant module is OFF LINE or was not included in the system configuration), the NON-REDUNDANT status message is displayed at the SCC. In the Non-Redundant Mode, the critical load will be transferred to bypass if any UPS module goes OFF LINE and the remaining ON LINE module(s) cannot carry the connected load without being overloaded.

The system control logic, located in the SCC, automatically adjusts the allowable overload limits based on the connected load and the number of modules ON LINE.

3.0 OPERATION

3.1 Display Screen and Operator Controls

Each Liebert Series 610 UPS cabinet is equipped with a microprocessor-based Operator Control Panel and Display Screen and System Control Panel designed for convenient and reliable operation. The System Control Cabinet (SCC) performs different functions than the UPS modules. Each cabinet has the controls and displays required to operate and monitor its functions. The locations of operator controls are shown in **Figure 8** through **Figure 11**.

The front location of the control panel enables the user to quickly identify the current status of the UPS system and to perform most of the manual operations. The operator display screen is driven by an easy-to-follow menu-prompted software program.

Features

The Series 610 interface display system enables the operator to easily perform the following:

- Obtain a quick indication of operational status:
 - Is the critical bus OK?
 - Is the UPS system OK?
 - Which UPS modules are available?
 - Is the battery available?
 - Is the bypass line available?
- Monitor the power flow through the UPS system and monitor all meter readings:
 - Is the critical load being supplied power from the UPS system or bypass?
 - Are input, battery and output voltage, frequency and current readings at nominal levels?
 - How much battery time is still available during an outage?
 - Is the battery recharging after discharge?
- Execute operational procedures:
 - Perform critical bus transfer/retransfer between the UPS system and the bypass line.
 - Start up and shut down the UPS system and each module.
 - Shut down the system and all modules instantly in the event of an emergency.
- Access status reports and history files:
 - Obtain a complete listing of the present status of the UPS system and all modules (input, output and battery voltage, frequency and current readings and any alarms that may be present).
 - Review a complete history report of all events leading up to and immediately after a fault condition.
 - Examine an archive listing of all alarm conditions that have occurred over a period of time.
- Make adjustments to programmable parameters (access limited by Security Access function):
 - Set the date and the time functions.
 - Change the auto-dial phone number and the modem options.
 - Select the number of auto-retransfer attempts.
- Make adjustment to the UPS output voltage before performing a manual load transfer.

Figure 8 Typical operator controls

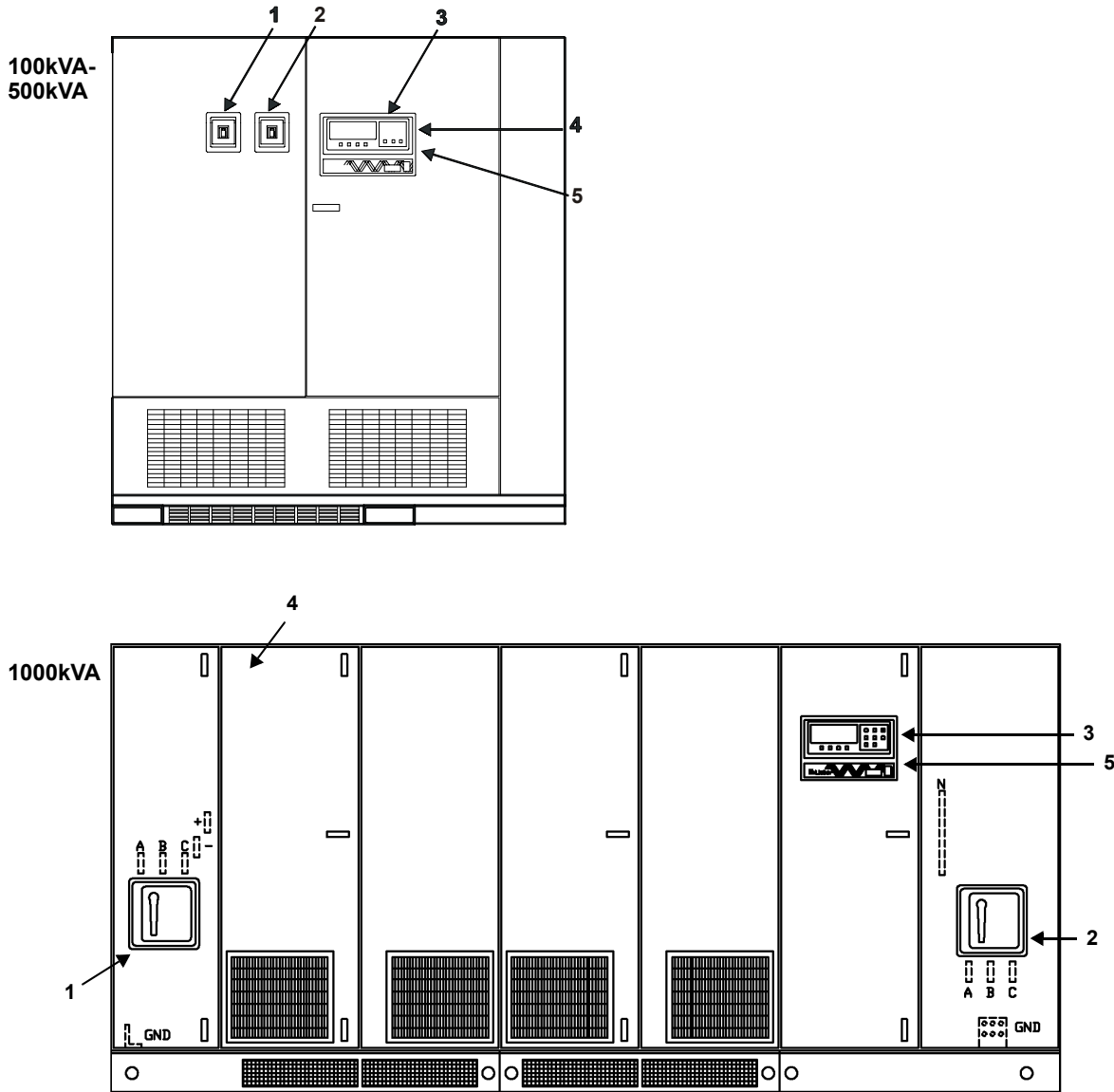


Table 1 Typical operator controls

Item	Description	Function
1	Input Circuit Breaker (CB1)	This manually operated circuit breaker provides power to the UPS module rectifier. In 625-750kVA modules and some 500kVA modules, this breaker is located in the transformer cabinet.
2	Module Output Circuit Breaker (CB2)	This manually operated circuit breaker connects the UPS module inverter output to the UPS System Control Cabinet.
3	Operator Control Panel	Refer to Figure 10 for controls available on this panel.
4	Control Disconnect (behind inner door)	These two fuses provide power to the controls. They are normally closed (ON). Turn Control Power OFF (by opening the two fuse holders) only for maintenance procedures.
5	Interlock Button (on rear of Control Panel)	Press this button to make authorized changes to any parameter protected by the Security Access function. This includes time, date, auto-dial phone numbers, etc.

Figure 9 Operator controls, typical SCCT System Control Cabinet

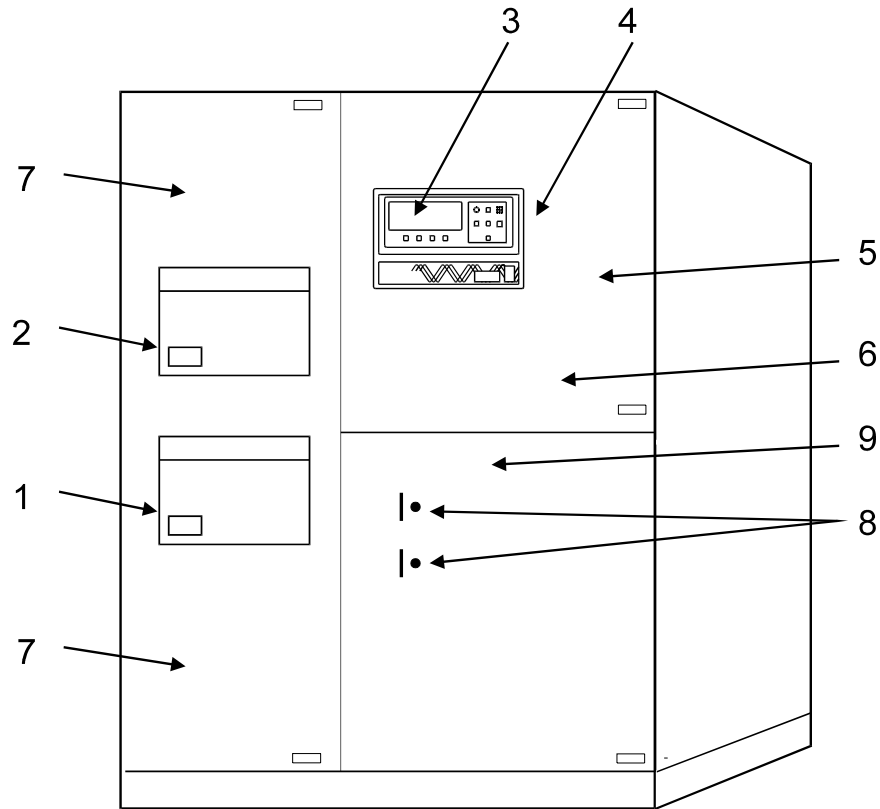


Table 2 Typical SCCT System Control Cabinet operator controls

Item	Description	Function
1	UPS Output Circuit Breaker	This motorized circuit breaker connects the critical load to the UPS system output.
2	System Bypass Circuit Breaker	This motorized circuit breaker connects the critical load to the bypass line.
3	Operator Control Panel	Refer to Figure 10 for controls available on this panel.
4	Interlock Button (on rear of Control Panel)	Refer to Figure 11 .
5	Close Bypass Switch (behind door)	Refer to Figure 11 .
6	Bypass Reset Switch (behind door)	Refer to Figure 11 .
7	Static Switch Disconnects (behind door)	These manually operated switches disconnect the static switch from the bypass line and from the critical load. They are normally ON (closed). Turn them OFF (open) only to isolate (disconnect) the static switch for maintenance procedures. For SCCT less than 1600A, the static switch disconnects are contactors that open automatically upon loss of bypass input power and close automatically when bypass power is restored. Control power fuse disconnects are used to manually open the contactors for maintenance.
8	Reset Switches (SW1) for Static Switch Disconnects (behind door)	Press these two switches before closing Static Switch Disconnects when recovering from a shutdown that includes loss of Control Power. Green LED on means Control Power is available. Red LED on means Reset Switch needs to be pushed. Only SCCI and SCCC control cabinets and SCCT 1600A and larger.
9	Control Power Disconnect (behind door)	Normally ON. Fuseblocks that are labeled F7 through F10. Turn OFF Control Power only when required for maintenance procedures.

Figure 10 Series 610 UPS and SCC operator control panels

Numbers are used as keys to data in Table 3, below.

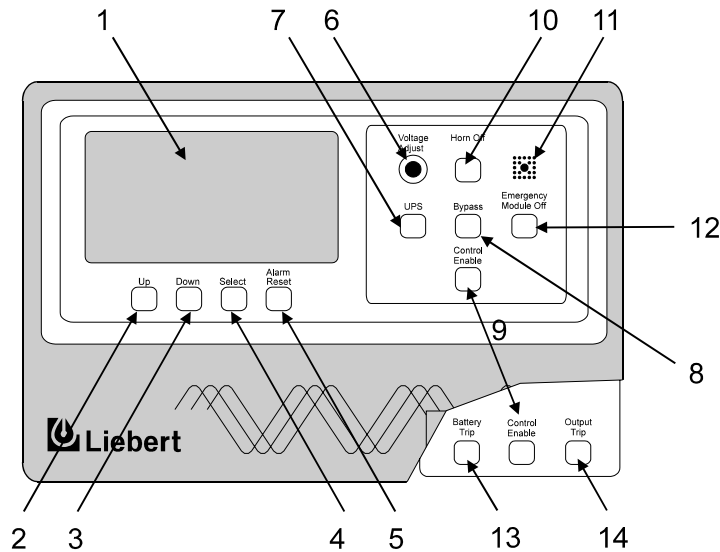
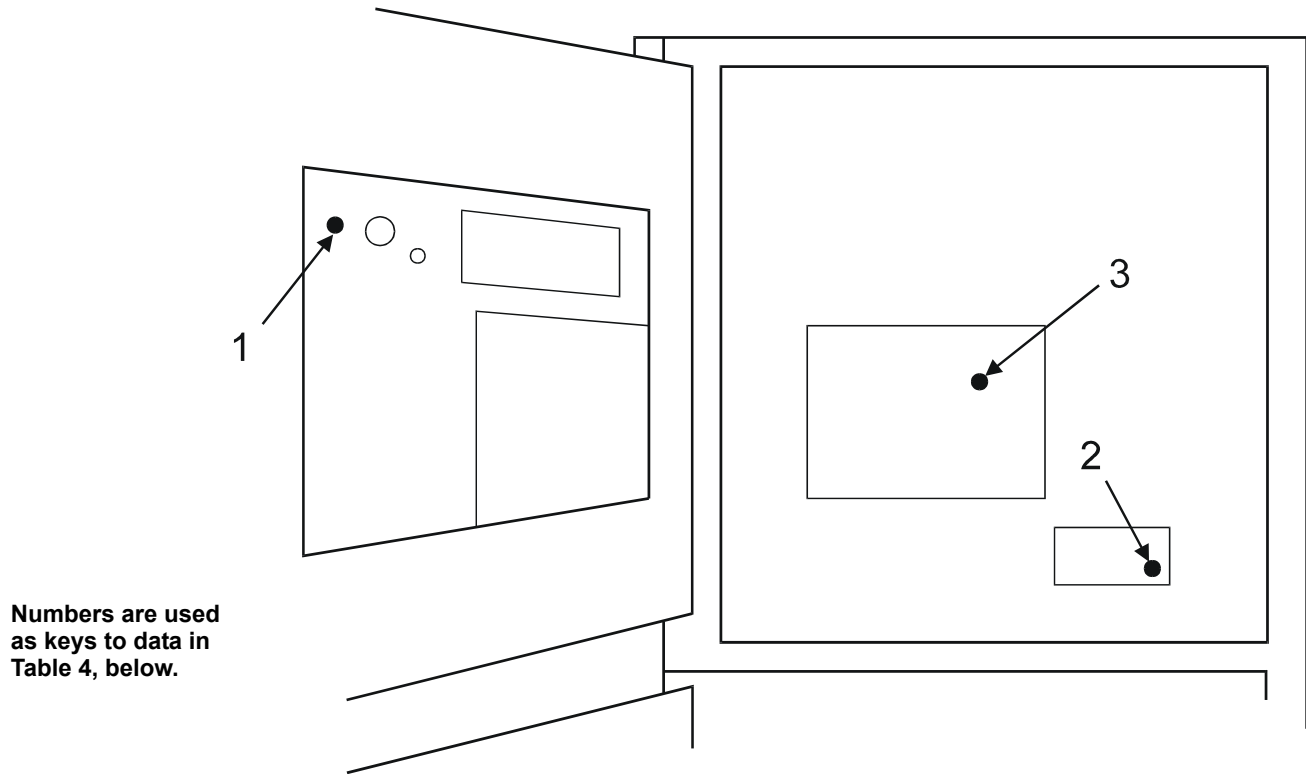


Table 3 Series 610 UPS and SCC operator control panels

Item	Description (Location)	Function
1	Display Screen (SCC and modules)	This screen displays all vital UPS information in one convenient location. All of the UPS monitoring functions and conditions are indicated here.
2	Up (SCC and modules)	This touch-sensitive pad (button) is used to move the cursor up through various selections present on the display screen. Note that all pads on this control panel have touch-sensitive switches behind them.
3	Down (SCC and modules)	Similar to the Up pad, this pad is used to move the cursor down through the various selections present on the display screen.
4	Select (SCC and modules)	After choosing the desired item (with highlighted cursor) from the display screen with the Up and Down pads, pushing this pad tells the microprocessor to go to the highlighted selection.
5	Alarm Reset (SCC and modules)	This pad is used to clear all of the alarm conditions that are no longer present. However, all active alarms remain in memory and on the applicable screens until they are corrected.
6	Voltage Adjust (SCC only)	This push-to-turn knob permits adjustment of the UPS output voltage to meet load requirements or to match the bypass voltage before transferring the load to or from bypass.
7	UPS (SCC only)	This pad activates the circuits that connect the UPS to the critical load (a retransfer). When this pad is pushed (along with Control Enable), the UPS output circuit breaker closes and the bypass circuit breaker opens.
8	Bypass (SCC only)	This pad activates the circuits that connect the bypass line to the critical load (a transfer). When this button is pushed (along with Control Enable), the bypass circuit breaker closes and the UPS output circuit breaker opens.
9	Control Enable (SCC and modules)	This pad must be pressed simultaneously with the UPS, Bypass, Battery Trip or Output Trip pads to activate them.
10	Horn Off (SCC only)	This pad is used to silence the alarm horn after it is activated. When this switch is pressed, the alarm horn is silenced but the active and latched alarm messages remain on the screen. The alarm messages still displayed stop flashing to indicate they have been acknowledged.
11	Alarm Horn and Red LED (SCC only)	This electronic horn sounds to alert nearby personnel whenever a new alarm occurs. A red LED (light emitting diode) is located in the middle of the alarm horn.
12	Emergency Module Off (SCC only)	During an emergency, pressing this guarded switch will transfer the load to bypass and then shut down the UPS modules. The load will remain on bypass power. (Refer to 3.4.5 - Shutdown Procedures.)
13	Battery Trip (modules only)	This pad can be used (along with Control Enable) to trip the module battery disconnect (MBD) circuit breaker open (disconnecting the battery from the UPS module).
14	Output Trip (modules only)	This pad can be used (along with Control Enable) to trip the module output circuit breaker open (disconnecting the module from the UPS system).

Figure 11 Switches behind SCC control panel door



Numbers are used as keys to data in Table 4, below.

Table 4 Series 610 UPS and SCC operator control panels

Item	Description (Location)	Function
1	Interlock Button (on rear of Control Panel)	Press this button to make authorized changes to any site parameter protected by the Security Access function. These include the time, date, auto-dial phone number and other site parameters.
2	Bypass Reset Switch (SW1, on Transfer Relay Board)	Press this button to reset the transfer relays during start-up, after an Emergency Power Off shutdown. You must press this button before the Close Bypass Switch (Item 3).
3	Close Bypass Switch (SW1, on System Interface Board)	Press this button to close the Bypass circuit breaker during a start-up procedure, if it remains open after a shutdown procedure (refer to 3.4.1 - SCC Start-Up Procedure). Note that the Static Switch Disconnects must be OFF to reset the Bypass circuit breaker. See also Bypass Reset Switch (Item 2).

3.2 Menu Tree Navigation

The Operator Interface Display is a blue-background display with white text. The display is always on, but the backlight will remain lit for 15 minutes following any display activation. After 15 minutes, the backlight will go out and the display may appear very dim. To reactivate the backlight, push any key. The backlight will again be active for 15 minutes after the last interaction or alarm. If any screen other than the mimic screen has been activated, after 5 minutes with no further interaction, the screen will revert to the basic mimic screen.

Figure 12 Menu tree

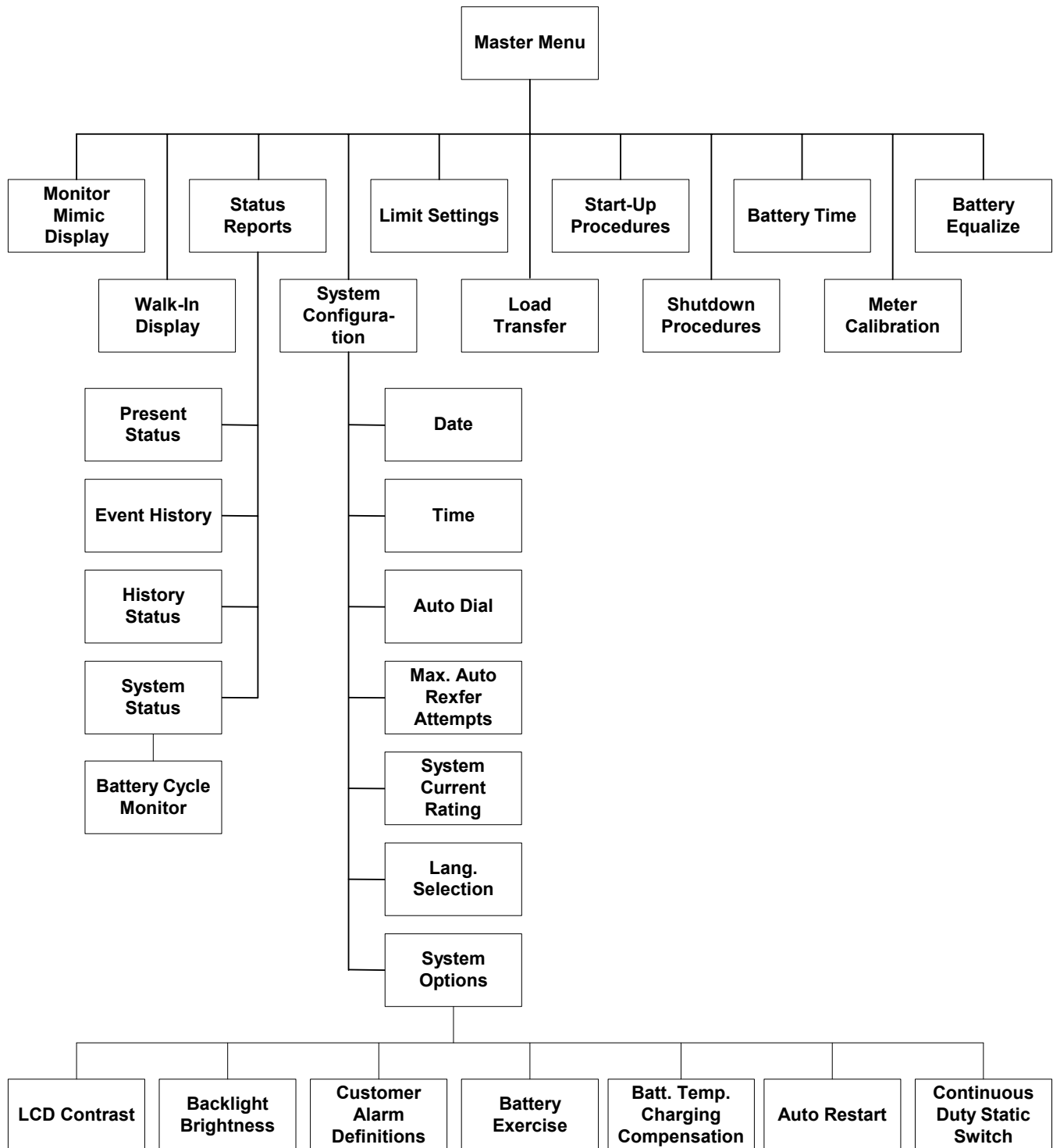


Figure 12 illustrates the primary screens that you can access through the Operator Interface Display System. The liquid crystal display (LCD) screen provides a full 80 characters by 25 lines of information for easy readability. The following sections describe what these screens display and how and when to use them.

Module status information is available on the display screen, provided **Control Power** is ON, even when the UPS module is not operating. System status information is available on the SCC display screen and at local and remote terminals when at least one module is on-line or when the bypass source is available.

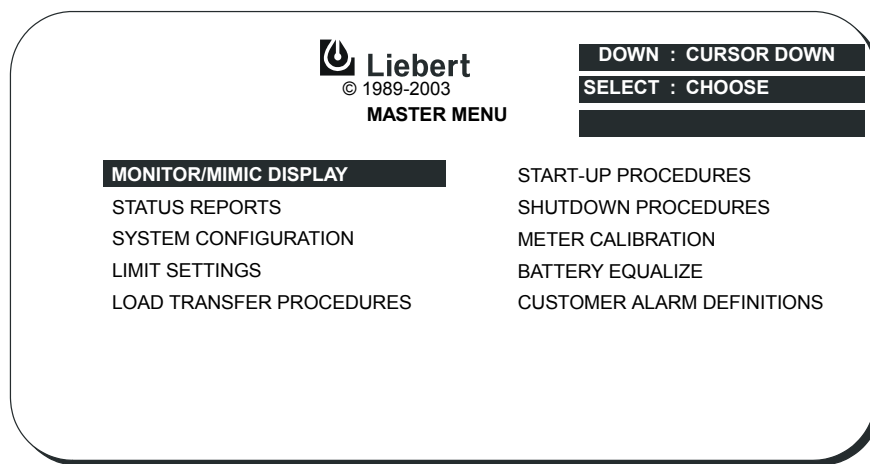
The screen will automatically display the Monitor/Mimic during normal operation. The System configuration screen will be displayed during start-up and whenever a system reset is required.

If a module display screen is blank, either power is not available, the Rectifier Input (RIB) circuit breaker (external to the UPS module) is open or the Control Power switch is OFF. If power is available and a display is blank, contact Liebert Global Services (1-800-LIEBERT). Note that status information may be available at local and remote terminals. Use control touch pads at the SCC to manually transfer the critical load to the bypass line if the SCC display goes blank while load is on UPS (a very unlikely event).

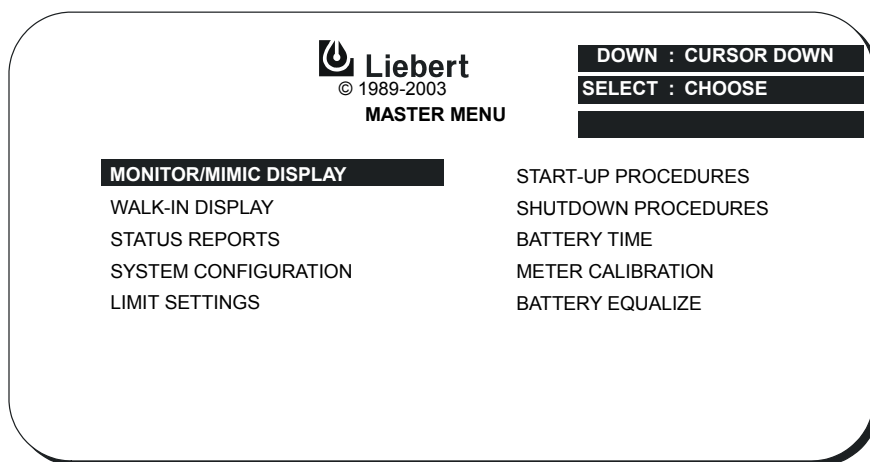
3.2.1 Master Menu Screen

The Master Menu contains the primary menu selections that monitor and control the operation of the UPS.

Figure 13 SCC and module master menu screens



SCC Master Menu



Module Master Menu

From any primary screen (accessed directly from the Master Menu), pushing the Select pad once will return you to the Master Menu. From any secondary screen, pushing the Select pad twice will return you to the Master Menu.

Please note that some screens have multiple pages. However, in each case, instructions appear for accessing other pages.

- **Monitor/Mimic Display**—This graphic mimics the power flow through the UPS system. Input voltage and current readings, battery status, UPS ratings, load readings, circuit breaker indications, system status and alarm messages are all displayed on this screen.
- **Walk-In Display (Modules Only)**—This is a bar graph that shows DC bus voltage, input currents and UPS module output voltage (all in percent of nominal). This screen typically is utilized during start-up procedures.
- **Status Reports**—This display consists of four submenu selections: present status, event history, history status and system status. These screens display data on the system's present and past performance. They also display information about any faults that have occurred in the system and total operating hours for the controls.
- **System Configuration**—This screen displays the current configuration of the UPS system. It also enables the operator to reset the date, time and dial-out phone numbers. The SCC current rating can also be adjusted lower than design maximum. The operator can view, but cannot change, any of the settings unless the Interlock (Security Access) button is pressed.
- **Limit Settings**—This security access display shows the present UPS system alarm limit settings. The operator can view the settings, but they should not be changed without consulting Liebert Global Services.
- **Load Transfer Procedures (SCC Only)**—This screen specifies all of the steps required to manually transfer the critical load between the UPS system and the bypass source. Comparisons of the voltage, frequency and phase synchronization of the UPS system output and the bypass line are also illustrated to aid in the transfer or retransfer procedure.
- **Start-Up Procedures**—This two-page screen lists step-by-step procedures to start the UPS system and the modules.
- **Shutdown Procedures**—This two-page screen lists the proper sequence of steps to shutdown the UPS system and the modules for maintenance or repairs. The steps instruct the operator to transfer the critical load to bypass, open the battery circuit breakers and open the UPS module output and input circuit breakers to shut down and isolate the modules. The critical load will remain on bypass power unless circuit breakers outside the UPS system are also opened.
- **Battery Time (Modules Only)**—This graph displays the projected battery voltage drop caused by a battery discharge over time. During a period of battery discharge, the Series 610 calculates the battery time remaining based on battery rating, initial battery condition and actual connected load. The UPS continues to update and display both rated (theoretical) and calculated time every 6 seconds. This enables the operator to immediately see the effects of load shedding on time remaining and to accurately assess his power resources.
- **Meter Calibration**—This security access screen enables an authorized Liebert field-service engineer to adjust and calibrate the UPS metered functions. The operator can view, but should not change, any of the settings.
- **Battery Equalize**—The battery equalize screen lets the operator change the battery equalize recharging mode from manual to automatic and to observe or change the equalize time. Battery equalize charge voltage is higher than battery float (constant) charge voltage. Automatic and manual equalizing can be controlled from the SCC, while only manual equalizing can be controlled from the module.



NOTE

Do not use battery equalize charging with sealed-cell batteries. Refer to the battery manufacturer's manual, available on the manufacturer's Web site, for specific information about equalize charging.

- **Customer Alarm Definitions (SCC Only)**—This optional screen allows the operator to define alarms for conditions external to the UPS, battery or switchgear.

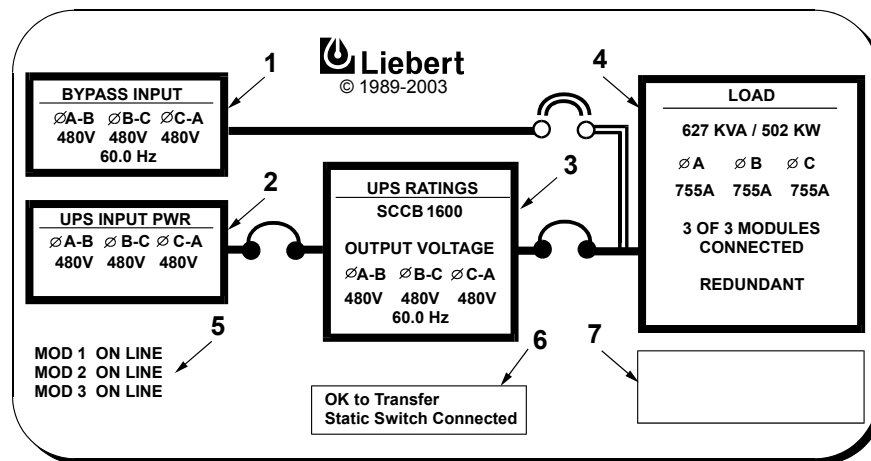
- **Battery Test (MMU Only)**—The optional battery test screen allows the operator to perform manual battery tests to determine the general condition of the battery system. The results of the last 10 tests are recorded in non-volatile storage and can be retrieved through the battery test results screen.
- **Battery Temp Compensation Charging (MMU Only)**—The optional battery temperature sensing unit, when installed, automatically reduces the float charge voltage in response to increases in battery temperature. The nominal float voltage is 540VDC (2.25 volts per cell) at 25°C. This float voltage is automatically reduced 5VDC for each temperature rise of 5°C. The LCD indicates whether the temperature compensation circuit is active.

3.2.2 SCC Monitor/Mimic Display Screen

From SCC Master Menu move the highlighted cursor to **MONITOR/MIMIC DISPLAY**. Press the **Select** pad and the Monitor/Mimic screen is displayed.

The Monitor/Mimic display screen is a simplified block diagram of the UPS system. This screen gives the operator an overall view of the power flow through the UPS system. The screen consists of three major sections: the input/UPS metering section, the load metering section and the status and alarm message areas. The metered parameter values on the Monitor/Mimic screen are updated at one-second intervals.

Figure 14 SCC Monitor/Mimic display screen



Input Metering Displays



NOTE

All voltage readings are phase-to-phase measurements (A-B, B-C and C-A). All current readings are phase measurements (A, B and C).

Item 1 - Bypass Input: This block displays the bypass input voltage and the bypass input frequency. The System Bypass Breaker is shown to the right of this block. The status of the circuit breaker is illustrated as open or closed.

Item 2 - UPS Input Pwr: This block displays the input voltage to the UPS modules. This data is received serially from the modules.

Output Metering Displays

Item 3 - UPS Ratings: The SCC current rating is specified at the top of this block. The UPS system output voltage and frequency are also displayed in this block. The UPS Output Breaker is shown to the right of this block. The status of the circuit breaker is illustrated as open or closed.

Item 4 - Load: This block displays the total output power to the critical load in kVA and kW. The critical load current per phase is also displayed in this block. Note that kW is not displayed when the load is on the bypass line.

The load block also indicates the number of modules connected and whether the UPS system is operating in the redundant or non-redundant mode.

During an overload condition, the time remaining before shutdown or transfer is displayed at the bottom of the load box.

Status/Alarm Message Areas

The status/alarm message areas display vital information about the operation of the UPS system. During normal operation no alarm messages should be present. Changes in the status of the system and possible alarm conditions can be monitored. Both the status and the alarm messages are displayed in reverse video (highlighted—light on dark). The alarm messages continue flashing until the **Horn Off** pad is pressed. To clear a latching alarm, you must also press the **Alarm Reset** pad after the alarm condition is corrected.

The following lists show the status and alarm messages that may be displayed in these areas. For more information and the corrective actions for these messages, refer to **Table 9** in this section.

Item 5 - Module Status Messages

- Module On Line
- Module Off Line
- Module Summary Alarm
- Module Communication Failure

Item 6 - System Status Messages

- Static Switch Connected
- Static Switch Disconnected
- OK To Transfer
- Not OK To Transfer

Item 7 - Alarm Messages

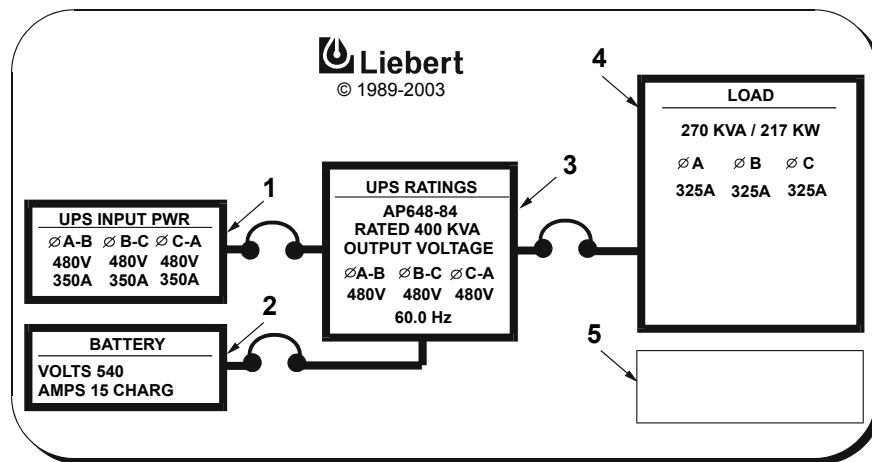
- Load On Bypass
- Auto Retransfer Primed
- Manual Reset/Retransfer
- Static Switch Unable
- Bypass Not Available
- Bypass Phase Sequence Wrong
- Control Power Fail
- Output Over/Underfrequency
- Output Undervoltage
- Output Overvoltage
- Overload
- Overload Transfer
- Emergency Off
- Module Summary Alarm
- Battery Cycle Buffer Warning

3.2.3 Module Monitor/Mimic Display Screen

From module Master Menu move the highlighted cursor to **MONITOR/MIMIC DISPLAY**. Press the **Select** pad and the Monitor/Mimic screen is displayed.

The Monitor/Mimic display screen is a simplified block diagram of the UPS module and power connections. This screen gives the operator an overall view of the power flow through the UPS module. The screen consists of three major sections: the input/UPS metering section, the load metering section and the status and alarm message areas. The metered parameter values on the Monitor/Mimic screen are updated at one second intervals.

Figure 15 Module Monitor/Mimic display screen



NOTE

All voltage readings are phase-to-phase measurements (A-B, B-C and C-A). All current readings are phase measurements (A, B and C).

Input Metering Displays

Item 1 - UPS Input Pwr: This block displays the UPS module input voltage and current. The Module Input breaker is shown to the right of this block. The status of the circuit breaker is illustrated as open or closed.

Item 2 - Battery: The battery block displays the DC bus voltage and the charge or discharge current to or from the battery. This block reads **MODULE DC BUS** when the battery circuit breaker is open and **BATTERY** when the battery circuit breaker is closed during normal operation. This block reads **BATTERY EQUALIZE** when the battery equalize charge voltage is used to recharge the battery. This block also shows **BATTERY TEMPERATURE** when the battery temperature sensor option is installed. The Module Battery Disconnect (MBD) is shown to the right of this block. The status of the circuit breaker is illustrated as open or closed.

Output Metering Displays

Item 3 - UPS Ratings: The module part number and kVA rating are specified at the top of this block. The UPS output voltage and frequency are also displayed in this block. The Module Output breaker is shown to the right of this block. The status of the circuit breaker is illustrated as open or closed.

Item 4 - Load: This block displays the module output power to the critical load in kVA and kW. The critical load current per phase is also displayed in this block.

Alarm Messages

The alarm message area displays vital information about the operation of the UPS system. During normal operation no alarm messages should be present. Alarm conditions can be monitored. The alarm messages are displayed in reverse video (highlighted— light on dark). To clear a latching alarm, you must also press the **Alarm Reset** pad after the alarm condition is corrected.

The following list shows the alarm messages that may be displayed in this area. For more information and the corrective actions for these messages, refer to **Table 9** in this section.

Item 5 - Alarm Messages

Input Fail	Reverse Power
DC Ground Fault	Rectifier Fuse Blown
DC Capacitor Fuse Blown	Inverter Fault
Battery CB Open	Hardware Shutdown
Battery Discharging	Emergency Off
Low Battery Warning	Ambient Overtemperature
Low Battery Shutdown	Fan/Blower Failed
DC Overvoltage Shutdown	Equipment Overtemperature
Input Current Unbalanced	Overtemperature Timeout
Control Power Fail	Battery Cycle Buffer Warning
Inverter Non-Synchronized	Battery Overtemperature
Overload	Battery Exercise
Overload Shutdown	

Figures 16 through **20** illustrate how the Monitor/Mimic Display screens on the SCC and on a module depict the power flow through the UPS system.

A three-module system designed for redundant operation is shown. A multi-module UPS system may include up to six (6) modules for each System Control Cabinet (SCC).

Figure 16 Monitor/Mimic display example: Normal power flow

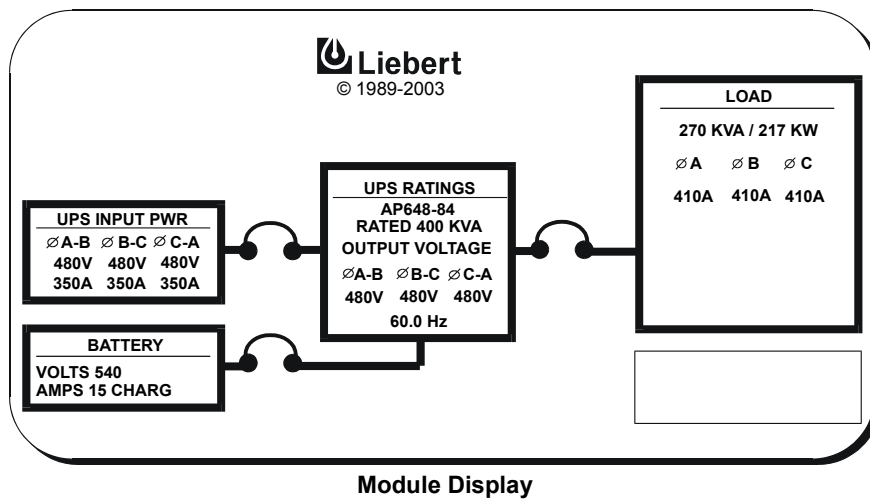
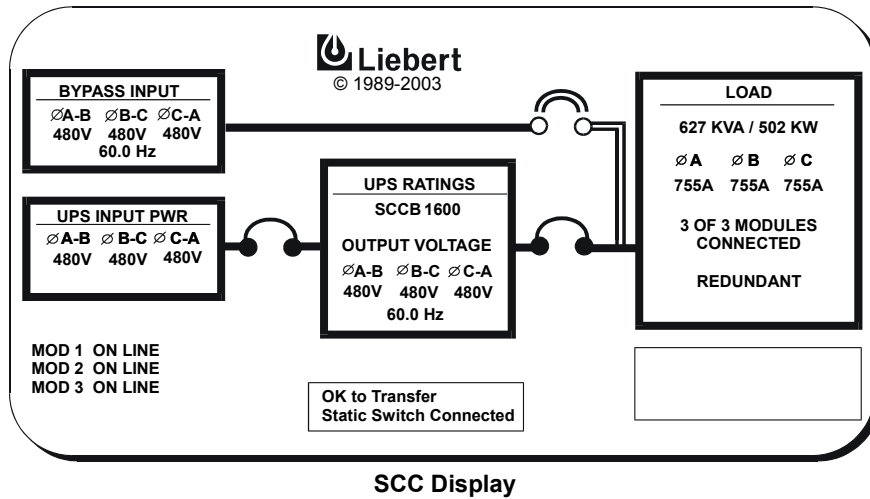
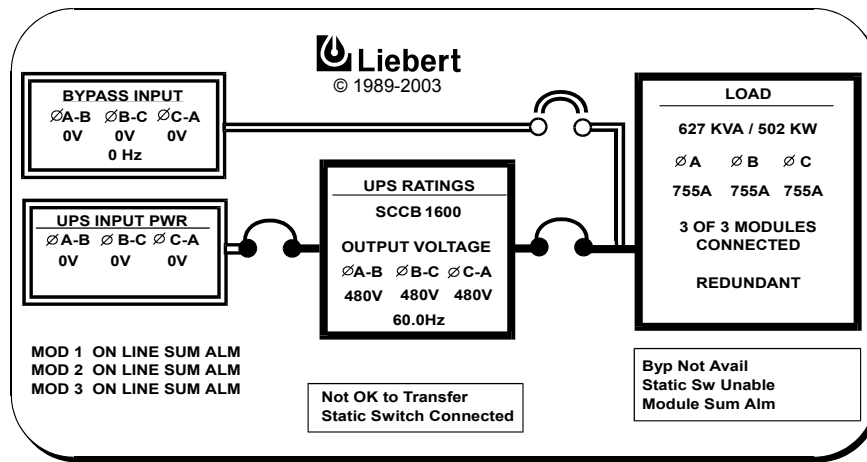
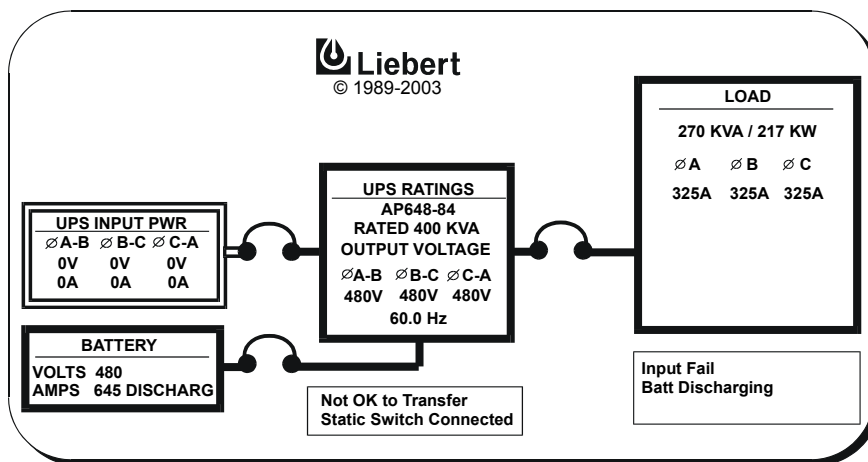


Figure 17 Monitor/Mimic display example: Utility fail

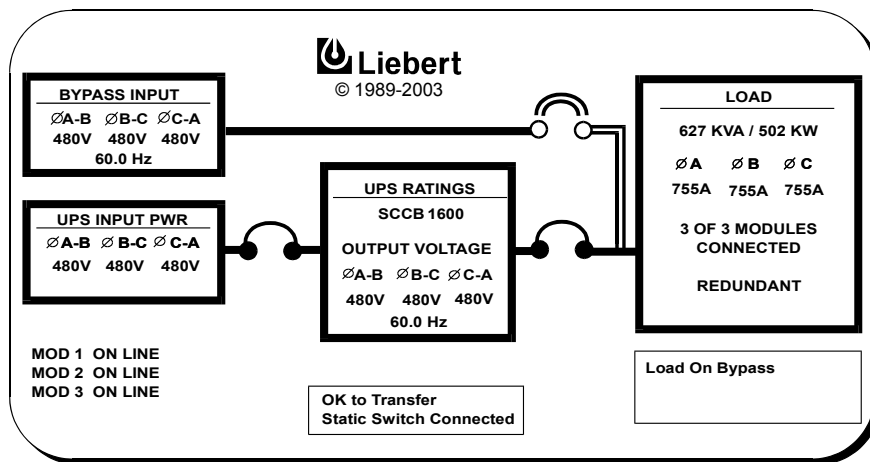


SCC Display

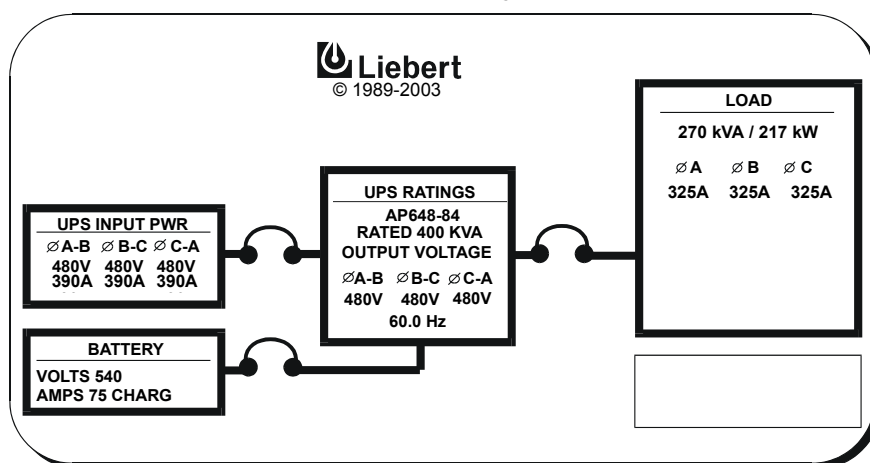


Module Display

Figure 18 Monitor/Mimic display example: Load on bypass, UPS modules on and charging battery

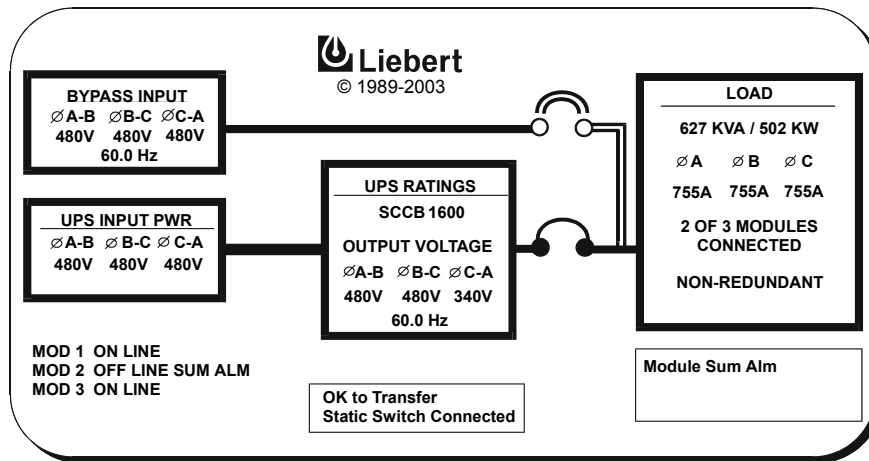


SCC Display

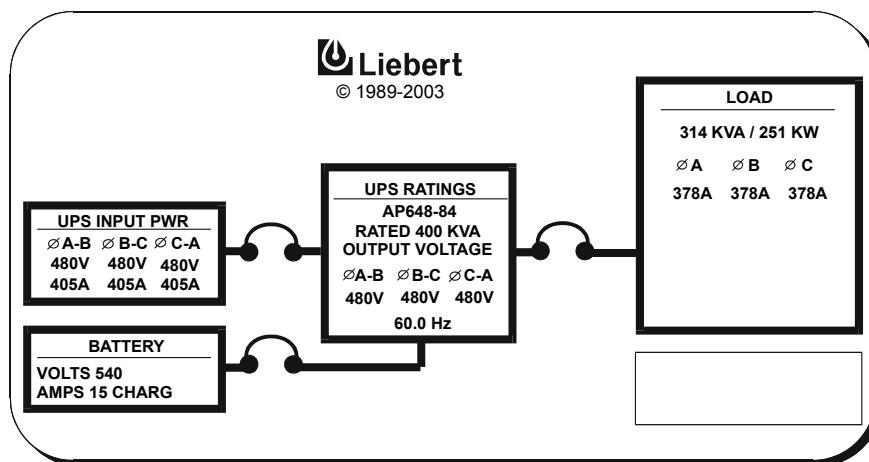


Module Display

Figure 19 Monitor/Mimic display example: Load on UPS, one UPS module off line

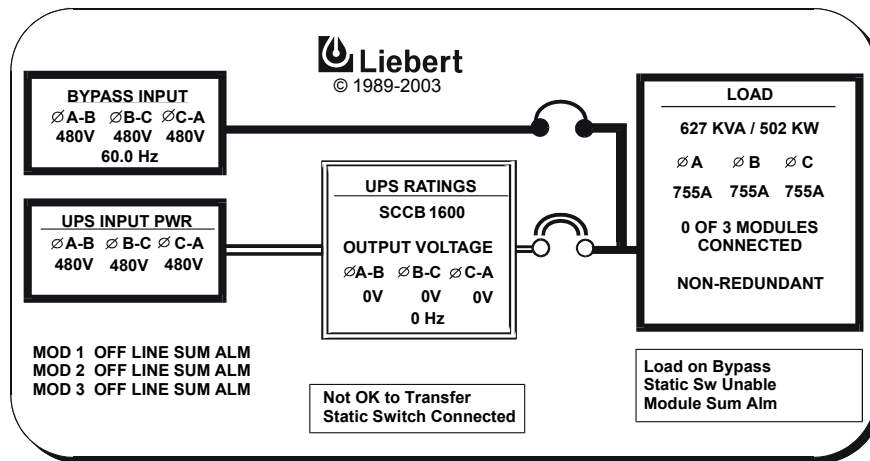


SCC Display

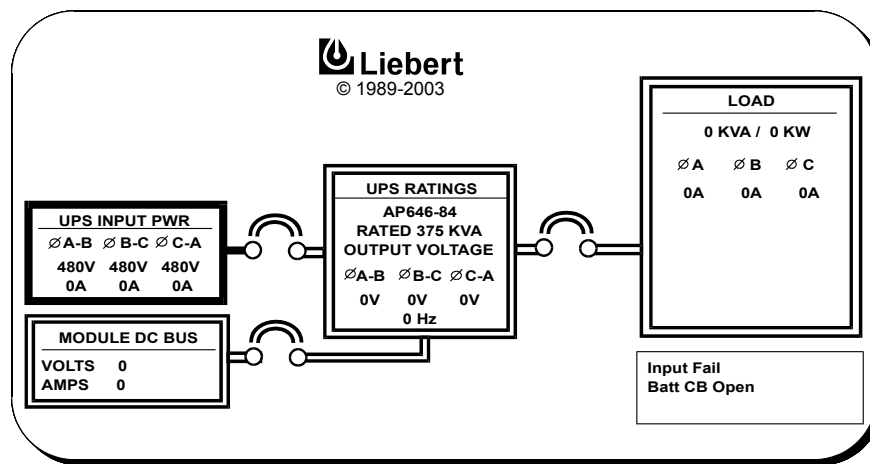


Module Display

Figure 20 Monitor/Mimic Display example: Load on bypass, all UPS modules off line



SCC Display

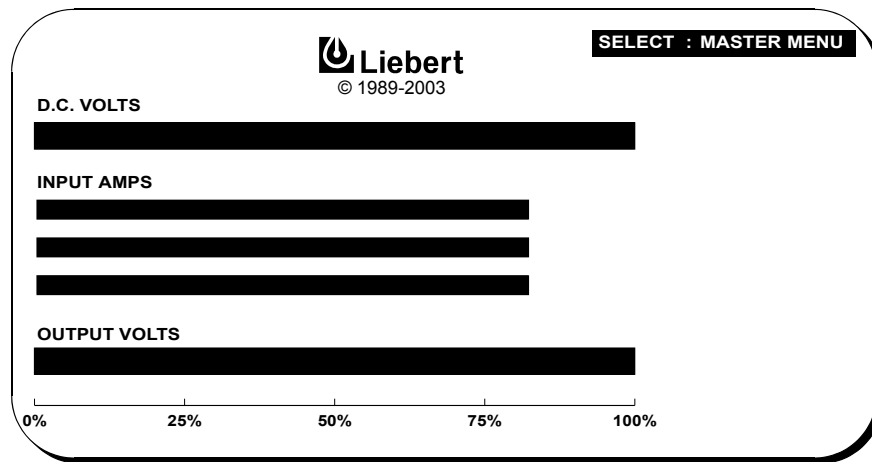


Module Display

3.2.4 Walk-In Display Screen

From the module Master Menu, highlight **WALK-IN DISPLAY** and then press the Select pad. Note that this screen is displayed at the UPS modules but is not required at the System Control Cabinet (SCC).

Figure 21 Walk-in display screen during start-up



The Walk-In Display screen enables the operator to monitor the UPS module DC bus voltage, the input currents and the output voltage. This is important during the start-up procedures.

During start-up, the UPS module input circuit breaker is closed and power is applied to the UPS module. The Walk-In Display screen graphically shows the voltage increasing on the DC bus as the UPS module rectifier begins to walk-in.

The **DC Volts** bar gradually moves to the right. After the **DC Volts** bar reaches the 90% level, the UPS module inverter starts-up and the **Output Volts** bar also moves to the right. Both the **DC Volts** and the **Output Volts** bars should settle near the 100% line as the UPS module becomes fully energized.

The three **Input Amps** bars (one for each phase of input current) move to the right during the initial transformer inrush. They should return to the left after the momentary inrush has subsided, then increase to about 10% as the **DC Volts** increase.

Modules equipped with the optional input filter will indicate more than 10% with no connected load.



NOTE

After the critical load is transferred from the bypass line to the UPS modules, the Input Amps bars continue to indicate the percent of the design input current to the UPS module rectifier.

If any Input Amps bar differs from the average bar length by more than 10%, call Liebert Global Services.

3.2.5 Status Reports Screens

Go to the Master Menu and move the highlighted cursor to **STATUS REPORTS**. Press the Select button and the Status Reports screen is displayed.

The Status Report screen is divided into four submenu reports: **PRESENT STATUS, EVENT HISTORY, HISTORY STATUS and SYSTEM STATUS**.

To look at any of the reports, do the following:

1. From the Status Reports screen, press the **Up** or **Down** pad to move the highlighted cursor to the desired selection.
2. Press the **Select** pad to view the desired report page.
3. Use the **Up** and **Down** pads to move through a report that includes several screens (frames).
4. Press the **Select** pad to exit the report.
5. To return to the Master Menu, return to **EXIT** and press the **Select** pad.

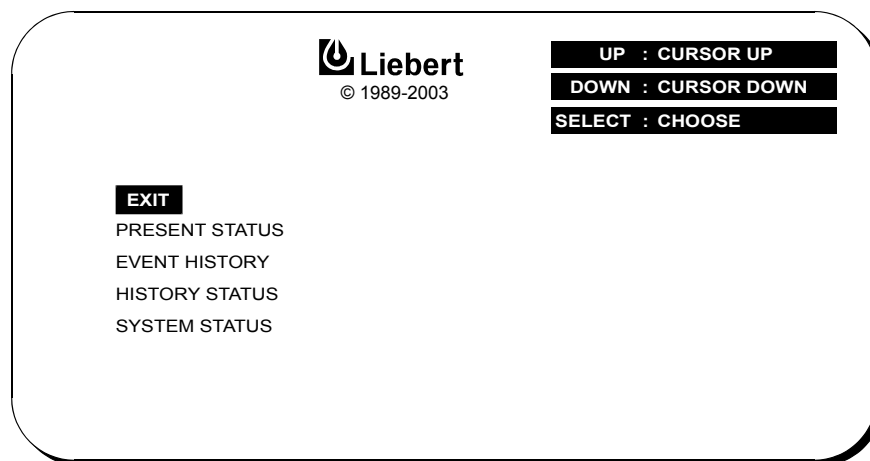
Each report screen includes the date, time and a frame number. The frame number indicates the relationship sequence of a 4 millisecond time segment. The SCC and each module generate their own frame numbers independently. The clock in each module is synchronized to the SCC clock.



NOTE

*Each of the four Status Reports can be displayed on a remote terminal. Refer to **3.2.15 - Communication Interfaces**.*

Figure 22 Status reports screen



Present Status

The Present Status screen shows the current status of the UPS system (SCC) or module. This screen displays any alarm messages that are present and the values of the metered parameters for each cabinet. Battery values are displayed only at the UPS modules.

Each update sequence (every 4 milliseconds) is called a frame. The frame number is displayed in the upper right corner. The Present Status screen display is updated every two seconds.

Battery Time Remaining (in minutes) is displayed on the module screens during a battery discharge. The value is on the Battery Volts line in the TIME column (far right side of the screen). For the first two minutes of discharge, the Rated Time Remaining is displayed. After that, the Calculated Time Remaining is displayed and updated every six seconds.

All the information on this screen, including Battery Time Remaining, is available to a local terminal or modem through the communications ports provided in the Series 610 UPS. Refer to **Table 11** in this manual for keyboard commands to use with the communication ports.

Figure 23 Present status report screens, SCC (above) and module

```

PRESENT STATUS      MODULE-0  01/12/98  14:06:26  FRAME 35
ORDER - 000000  SITE ID - 00000  SITE TAG - 0000000
**** ACTIVE ALARMS ****  Batt Discharging

      A      B      C      DC  LOAD  HERTZ  TIME
OUTPUT VOLTS      480  480  480
OUTPUT AMPS       325  325  325
OUTPUT FREQUENCY
LOAD KVA                    270
BYPASS VOLTS       0      0      0
END OF REPORT

SELECT : EXIT
    
```

SCC Status Report

```

PRESENT STATUS      MODULE-0  01/12/98  14:06:26  FRAME 35
ORDER - 000000  SITE ID - 00000  SITE TAG - 0000000
**** ACTIVE ALARMS ****  Batt Discharging

      A      B      C      DC  LOAD  HERTZ  TIME
OUTPUT VOLTS      480  480  480
OUTPUT AMPS       325  325  325
OUTPUT FREQUENCY
BATTERY VOLTS                    480
BATTERY AMPS                    -645
INPUT VOLTS       0      0      0
INPUT AMPS       0      0      0
LOAD KVA                    270
END OF REPORT

SELECT : EXIT
    
```

Module Status Report

Event History

The Event History screen lists the active alarms present in the UPS system (SCC) or modules. This screen also displays the prior 128 alarm frames, in a first in, first out (FIFO) sequence, that have taken place along with the date and the time that each alarm frame occurred. Use the **Up** and **Down** pads to look through the different alarm frames.

Figure 24 Event history report screen

```

EVENT HISTORY      MODULE-0  01/17/98  15:06:41  FRAME 175
ORDER - 000000  SITE ID - 00000  SITE TAG - 0000000
**** ACTIVE ALARMS ****  Batt Discharging  Low Batt Warning

UP : NEXT FRAME
DOWN : PREVIOUS FRAME
SELECT : EXIT
    
```

History Status

The History Status screen displays 64 frames, of 4 milliseconds each, from the Present Status screen. Note that the values for output volts and amps are updated once each millisecond. Alarms are listed in the sequence they occurred, within 1 millisecond resolution. The frames are stored in a buffer (a computer information storage technique). The buffer stores the frames in a first in, first out sequence. As a new frame enters the buffer the oldest one is released.

When a designated fault occurs (see list below), the buffer stores information for the next 24 frames and then freezes (stops gathering information). At that time, the History Status screen contains 40 frames before the fault, the frame when the fault occurred and 23 frames after the fault. This 64-page report is a very useful diagnostic tool for the operator or Liebert Global Services. Use the **Up** and **Down** pads to view the screens.

Figure 25 History status report screens

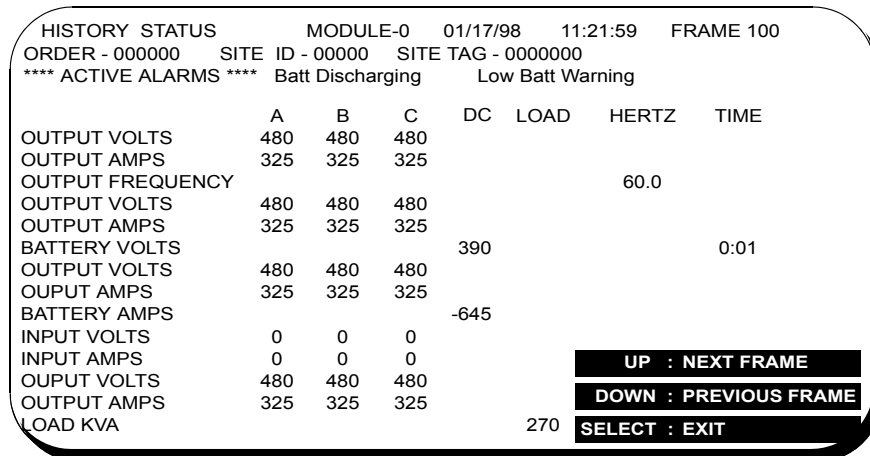
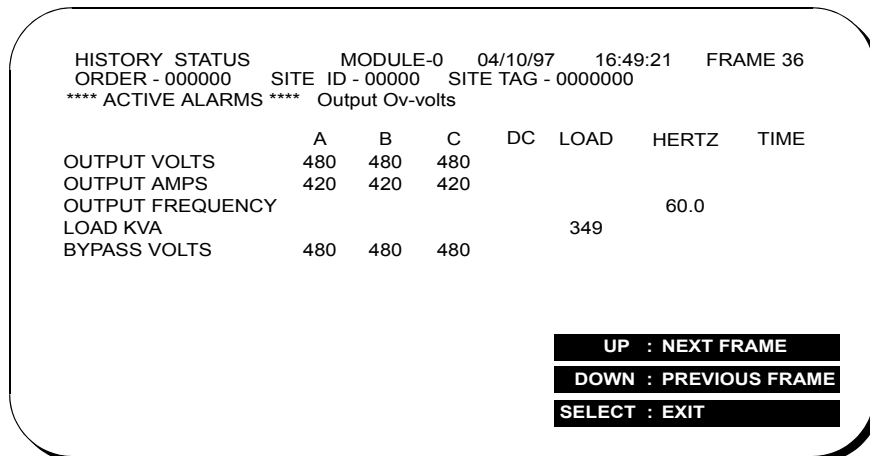


Table 5 shows the alarm conditions that stop the History Status buffer from gathering data.

Table 5 Alarm conditions that freeze history data gathering

Alarm in SCC	Alarm in Module
Auto Transfer to Bypass	DC Cap Fuse Blown
Output Overvoltage	DC Overvoltage Shutdown
Output undervoltage	Inverter Fault
Overload Transfer	Low Battery Shutdown
	Overload Shutdown
	Overtemperature Timeout
	Rectifier Fuse Blown
	Reverse Power



NOTE

The Emergency Off alarm will also freeze the SCC History Status buffer with the Auto Transfer to Bypass alarm (if the load is on the UPS system when the alarm condition occurs).

The History Status buffer does not resume collecting new frames until the fault is cleared and the **Alarm Reset** pad is pressed for more than 5 seconds (or until the screen clears).

System Status

The System Status screen displays the module Total Operating Hours, Enable Backlight and the Battery Cycle Monitor.

Battery Cycle Monitor—Module Only

Selecting the Battery Cycle Monitor gives you access to detailed information about the module's most recent battery discharge events. Periodic review of this data can give a good indication of battery performance and expected life.

Each battery discharge cycle is put into one of four categories, depending on the length of the event:

- 0-30 Seconds Discharge
- 31-90 Seconds Discharge
- 91-240 Seconds Discharge
- Over 240 Seconds Discharge

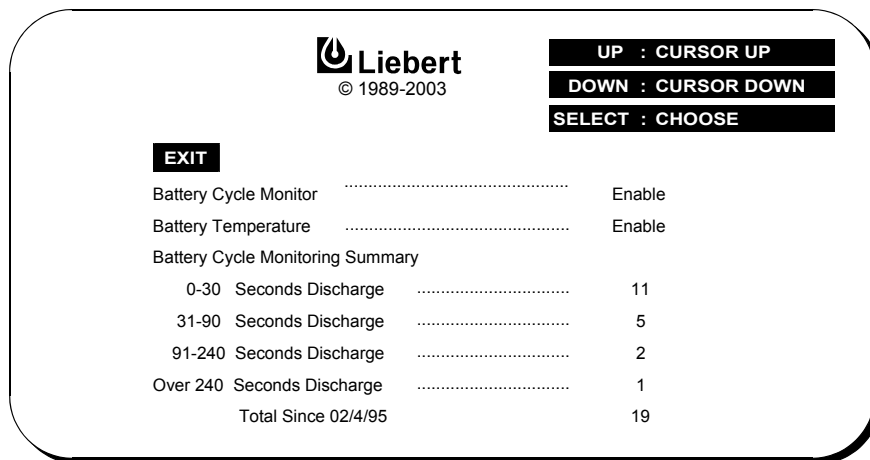
Each discharge cycle is sorted by time duration and tagged with the following system parameters:

- System time and date
- Event Number
- Duration of cycle (seconds)
- Lowest DC Bus Voltage
- Highest DC Bus Current
- kW carried by the batteries at the start of cycle
- Battery Environment Ambient Temperature (when equipped with optional temperature sensor)

Up to 132 discharge cycle events can be stored at any given time. When the buffer approaches its capacity, a warning message is broadcast via terminal and modem communication channels and a complete listing of all records (in order of occurrence) is sent to the terminal port. If a serial printer is attached to the terminal port (see **3.2.15 - Communication Interfaces**), the operator can print a hard copy of the report. If a printer is not available, a terminal emulation program can capture the report to disk for later review or printing. Once the buffer is filled, new data will replace the old on a first in, first out (FIFO) basis as new cycles occur.

To view this data, select the BATTERY CYCLE MONITOR option on the System Status screen. At the next screen (see **Figure 26**), you can select either the Battery Cycle Monitoring Summary screen or a screen showing detailed information on any one of the four categories of discharge (0-30 seconds, 31-90 seconds, 91-240 seconds and over 240 seconds).

Figure 26 Battery cycle monitor screen



The Summary screen (**Figure 27**) shows Total Number of Discharge Cycles, Accumulated Battery Time, Accumulated Battery Amp Hours, Accumulated Battery Kilowatt Hours and Battery Temperature. During a battery discharge event, the screen changes to show information about the present discharge cycle. The screen displays Active Cycle Time in place of Accumulated Battery Time and shows Active Battery AH and Active Battery kWh instead of accumulated values.

Figure 27 Battery cycle monitoring summary screen

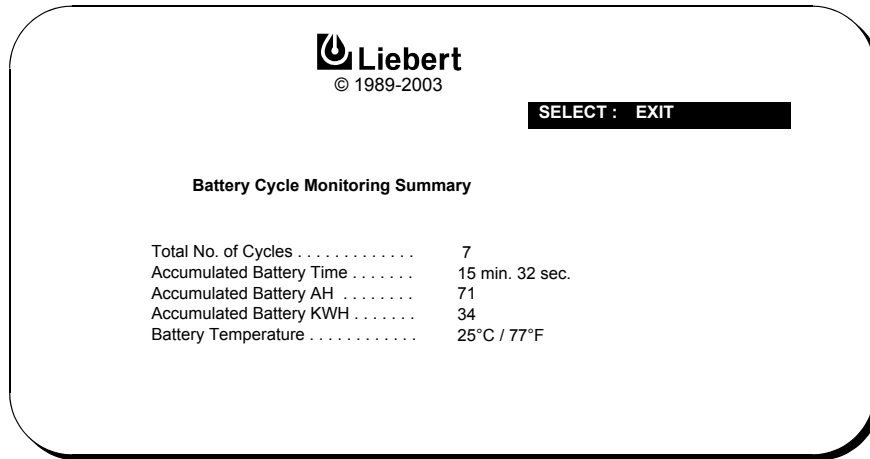


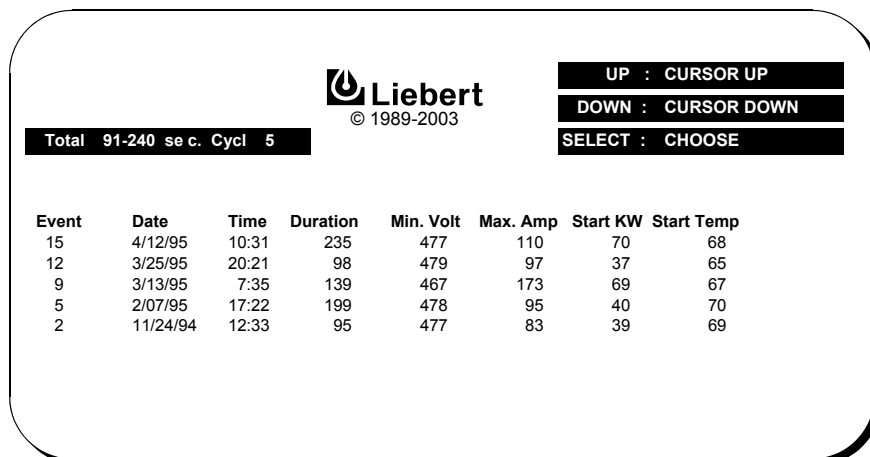
Figure 28 shows a typical detail screen for the 91-240 Seconds Discharge category. This information can be collected remotely, through the optional communications board and modem, by a remote terminal or a personal computer equipped with a modem and communications program. See **3.2.15 - Communication Interfaces** for more information.



NOTE

This information is applicable to systems with separate batteries for each module. If the modules share a common battery, select one module to do the monitoring and disregard the other(s).

Figure 28 Typical data on discharge cycles of 91 to 240 seconds duration during the recording period




3.2.6 System Configuration Screens

Go to the Master Menu and move the highlighted cursor to **SYSTEM CONFIGURATION**. Press the Select pad and the System Configuration screen is displayed.

The System Configuration screen lists parameters that can be changed to adjust your UPS modules and the SCC to your site requirements. Some of the information displayed is factory-set and should only be changed by Liebert Global Services. Parameters that should be adjusted by the user include date, time, auto dial number and modem baud rate.

The System Configuration screen is one of the displays that has controlled access to limit who is able to change site parameters. This type of screen is called a Security Access screen. This controlled access feature allows anyone to review the present parameters, but limits access for making changes. When you see Security Access displayed on the screen (upper left corner), to make authorized changes you must open the control cabinet door (key required) and push the Interlock button on the back of the control panel (**Figure 11**). Close and lock the control cabinet door after making authorized changes.

Figure 29 SCC system configuration screen

SECURITY ACCESS		UP: CURSOR UP
	© 1989-2003	DOWN: CURSOR DOWN
	SYSTEM CONFIGURATION	SELECT: CHOOSE
EXIT		
Part Number	02-791112-14	
Order Number	000000	
Site ID Number	00000	
Site TAG Number	0000000	
System Number	1	
Number of Modules in System	2	
Date	01/17/03	
Time	14:51:59	
Auto Dial	YES	
Max Auto-Rexfer Attempts	5	
System Current Rating	1600	
Language Selection	English	
System Options		
		Version 3.02.0 Copyright© 1989-2003 Liebert Corporation All Rights Reserved



NOTE

If you mistakenly set a site parameter digit to an incorrect value, you must return to the System Configuration screen and then go to the required screen to reset the value.

Part Number: This is a factory-set part number of the UPS cabinet, which determines many internal operating parameters. It cannot be changed.

Order Number: This is a factory-set number to identify your particular installation.

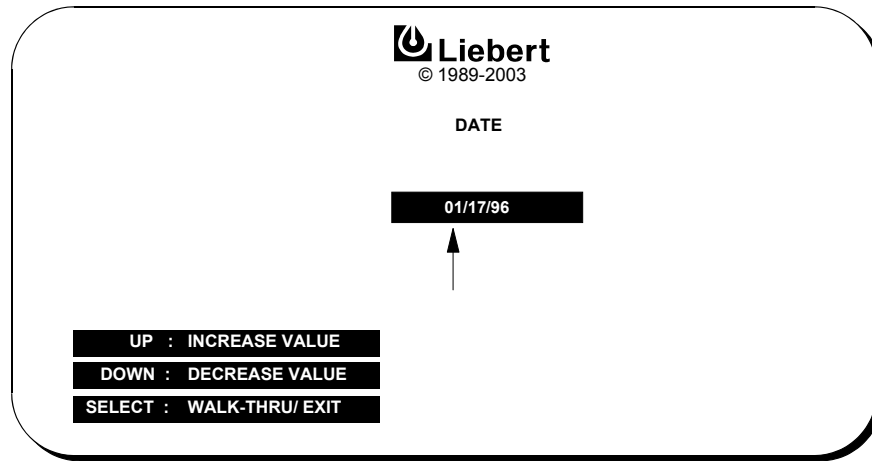
System Number: This number is used to identify one or more UPS systems that may be present on one site.

Number of Modules in System: This shows the total number of modules.

Date

This is the system's real-time date setting. The system control program sends to each module the date entered at the System Control Cabinet (SCC). You cannot change the system date from the control panel of a UPS module.

Figure 30 Date screen



To reset the date, do the following at the SCC.

1. From the System Configuration screen, press the **Up** or **Down** pad to move the highlighted cursor to **DATE**.
2. Press the **Select** pad. The Date screen will appear.
3. Press the **Select** pad to move the arrow to the next digit to the right.
4. When the arrow is on the digit to be changed, press the **Up** pad to increase the number or the **Down** pad to decrease it.
5. Press **Select** to set the value and move to the next digit.
6. After the correct month/day/year has been set, press the **Select** pad again to return to the System Configuration screen.



NOTE

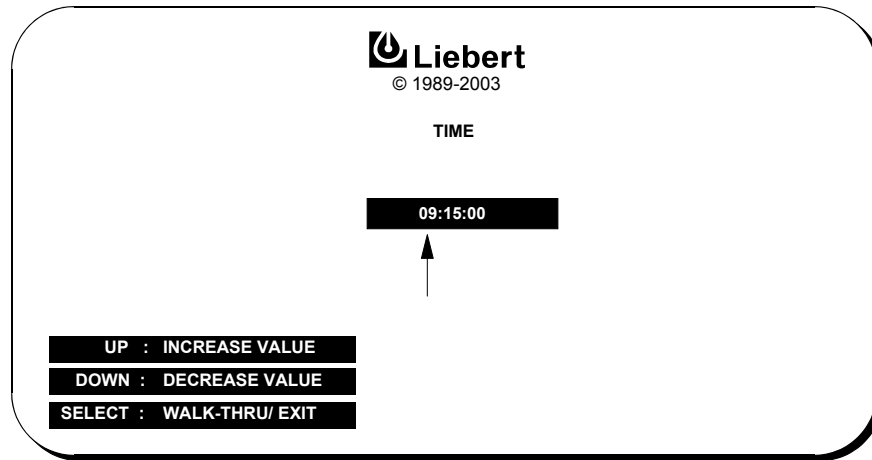
Precise Date and Time functions are required for accurate archival and event history purposes. Both the Date and Time can be set from a remote terminal. Refer to 3.2.15 - Communication Interfaces.

Time

This is the system's real-time clock. The system control program sends to each module the time entered at the System Control Cabinet (SCC).

You cannot change the system time from the control panel of a UPS module.

Figure 31 Time screen



To reset the time do the following at the SCC:

1. From the System Configuration screen, press the **Up** or **Down** pad to move the highlighted cursor to **Time**.
2. Press the **Select** pad. The Time screen will appear.
3. Press the **Select** pad to move the arrow to the next digit to the right.
4. When the arrow is on the digit to be changed, press the **Up** or **Down** pad to increase or decrease the hour/minute/second number.
5. Press **Select** to set the value and move to the next digit.
6. After the correct hour/minute/second has been set, press the **Select** pad again to return to the System Configuration screen.



NOTE

Precise Date and Time functions are required for accurate archival and event history purposes. Both the Date and Time can be set from a remote terminal. Refer to 3.2.15 - Communication Interfaces.

Auto Dial

This is a feature that automatically dials (through a customer supplied PC-compatible modem) a pre-programmed telephone number (up to 12 digits) when specified alarm conditions occur within the UPS system. The connection for the modem is at the SCC. Automatic dial attempts to the first number are made at periodic intervals for 30 minutes. If unanswered, the system rolls over to the second number and repeats the process until connection is made.


Upon connection, the system transmits data, in RS-232C format, that includes the system identification code, the present alarm message(s) and the time that the alarm(s) occurred. Refer to **3.2.15 - Communication Interfaces**.

Refer to the Special Functions column in **Table 9** to see which alarm messages will initiate an auto-dial call.

If the auto-dial numbers were specified at time of order or installation, the numbers are pre-programmed into the system. However, if the numbers need to be changed, follow the steps listed below to reprogram the auto-dialer at the SCC.

1. From the System Configuration screen, press the **Up** or **Down** pad to move the highlighted cursor to **Auto Dial**.
2. Press the **Select** pad. The Auto Dial screen will appear.
3. Move to and select the first Auto Dial Number.
4. Press the **Select** pad to move the arrow to the next digit to the right.
5. When the arrow is on the digit to be changed, press the **Up** pad to increase the number or press the **Down** pad to decrease it. Press **Select** to set the value and move to the next digit.
6. After all of the changes have been made, press the **Select** pad again to return to the System Configuration screen.
7. If required, go to the **Second Number** screen and enter the correct number.

Figure 32 Auto dial setting screen



© 1989-2003

AUTO DIAL SETTING SCREEN

UP: CURSOR UP

DOWN: CURSOR

SELECT: CHOOSE

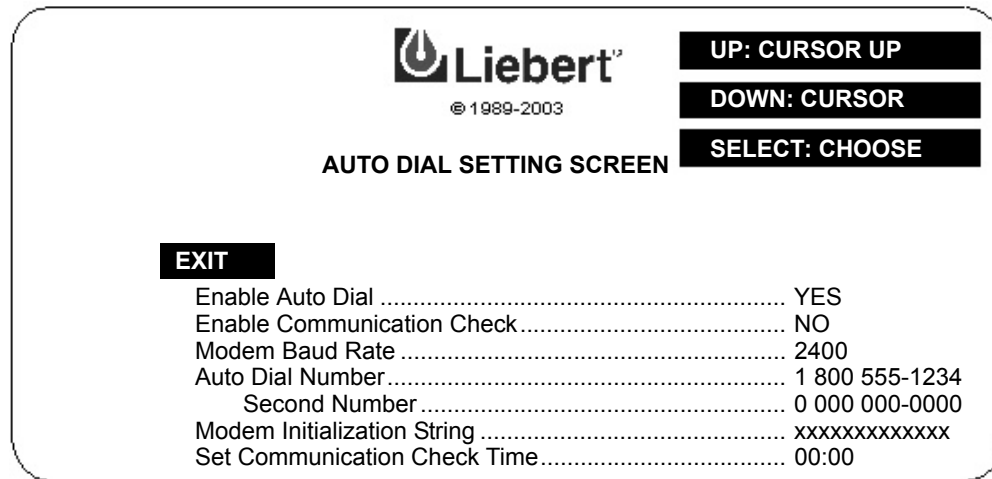
EXIT

Enable Auto Dial	YES
Enable Communication Check	NO
Modem Baud Rate	2400
Auto Dial Number	1 800 555-1234
Second Number	0 000 000-0000
Modem Initialization String	xxxxxxxxxxxxx
Set Communication Check Time	00:00

Modem Baud Rate

This sets the transmission rate at which the system relays data to a terminal through the modem.

Figure 33 Modem baud rate



To change the modem baud rate, do the following at the SCC:

1. From the System Configuration screen, press the **Up** or **Down** pad to move the highlighted cursor to **Auto Dial**.
2. Move to and select the Modem Baud Rate.
3. Press the **Up** or **Down** pad to display the desired baud rate.
4. Press the **Select** pad to set the baud rate and to return to the System Configuration screen.

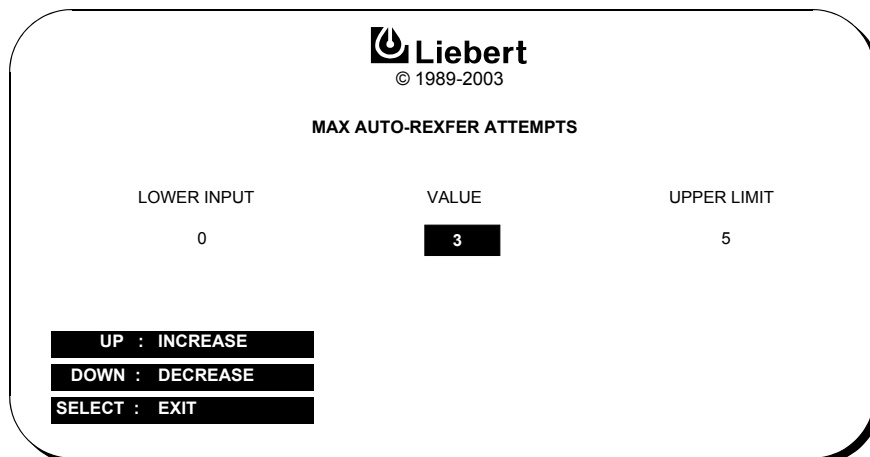
Maximum Auto-Retransfer Attempts

When a UPS output overload condition exceeds a pre-programmed current-versus-time window (based on the SCC current rating), the UPS automatically transfers the critical load to the bypass line. After the overload condition has been corrected, the UPS attempts to automatically retransfer the critical load to the UPS output (unless zero attempts is selected). The **Maximum Auto-Retransfer Attempts** limits the number of times (0 to 5) that the UPS attempts to retransfer the load back to the UPS within a one-hour time period.

If more than the selected number of overloads occurs during one hour, the critical load remains on the bypass line and must be manually retransferred to the UPS system. Note that you should determine the cause of any overload condition.

Note that automatic retransfers are initiated only if the critical load was transferred to the bypass line because of a system overload. If an automatic transfer to bypass occurred for any other reason, an automatic retransfer will not be initiated. Refer to **3.5.3 - Automatic Retransfers to UPS**.

Figure 34 Maximum auto-retransfer attempts screen



To change the Maximum Auto-Retransfer Attempts parameter, do the following at the SCC:

1. From the System Configuration Screen, press the **Up** or **Down** pad to highlight **Maximum Auto-Retransfer Attempts**.
2. Press the **Select** pad. The screen above will appear.
3. Press the **Up** pad to increase the value or the **Down** pad to decrease it.
4. Press the **Select** pad to set the value and to return to the System Configuration screen.

System Current Rating

System current rating is determined by the part number, which is entered at the factory and cannot be changed. Once it has been entered, the part number determines the value displayed for the System Current Rating on the SCC system configuration screen (see **Figure 29**).

Language Selection

English and Portuguese are supported.

System Options

Figure 35 SCC system options screen

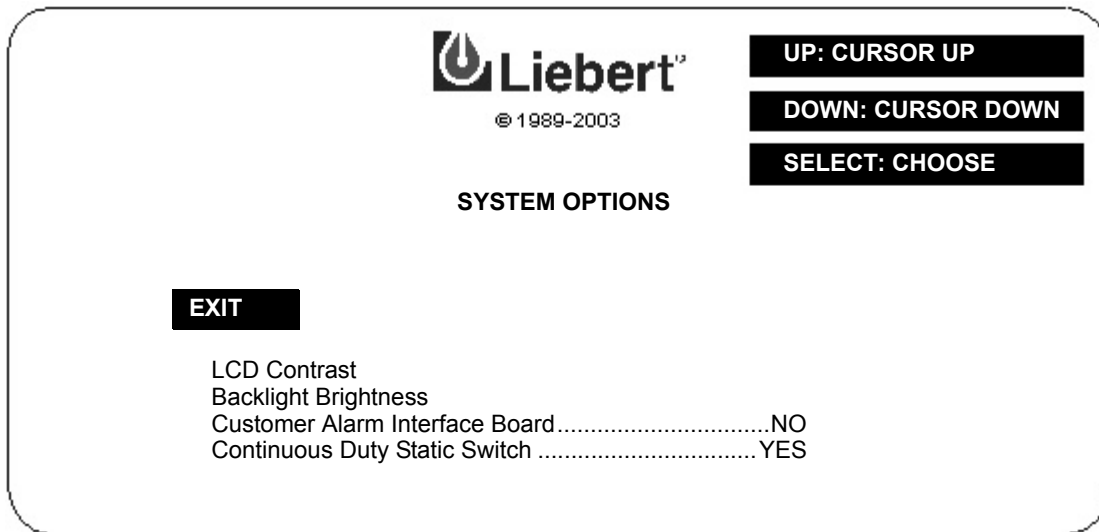


Figure 36 MMU system options screen

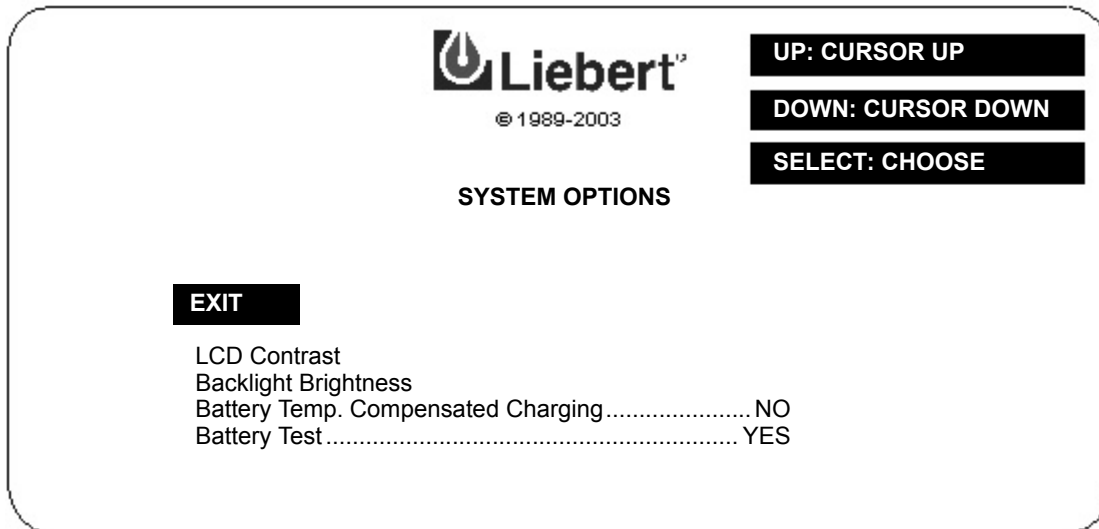


Figure 37 Battery test screen—MMU only

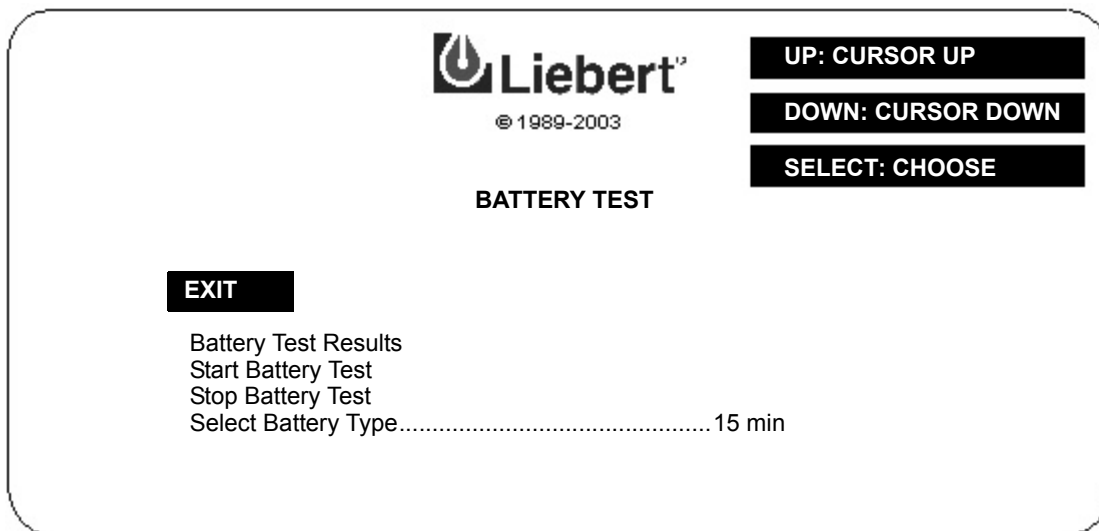
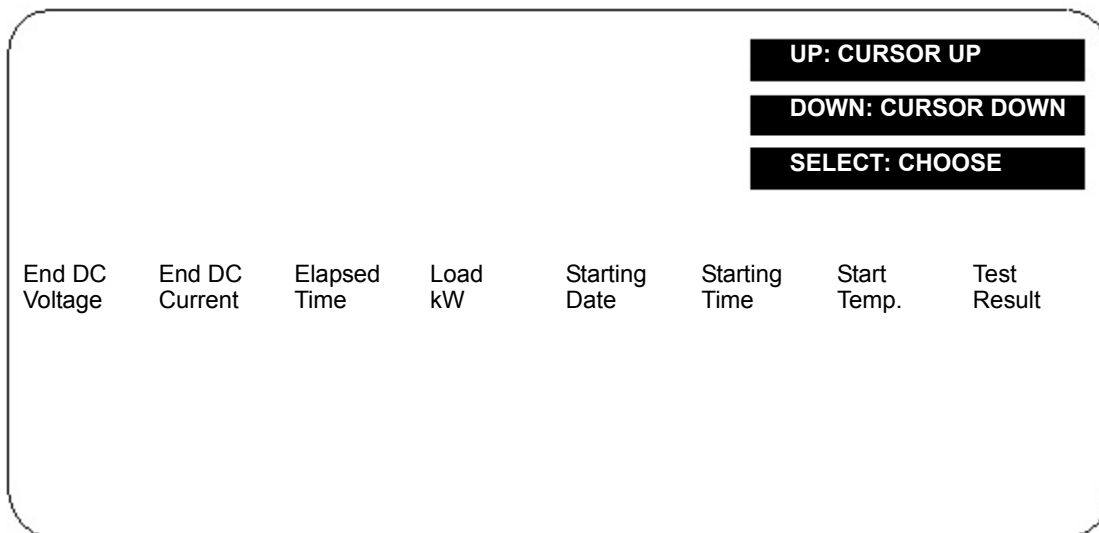


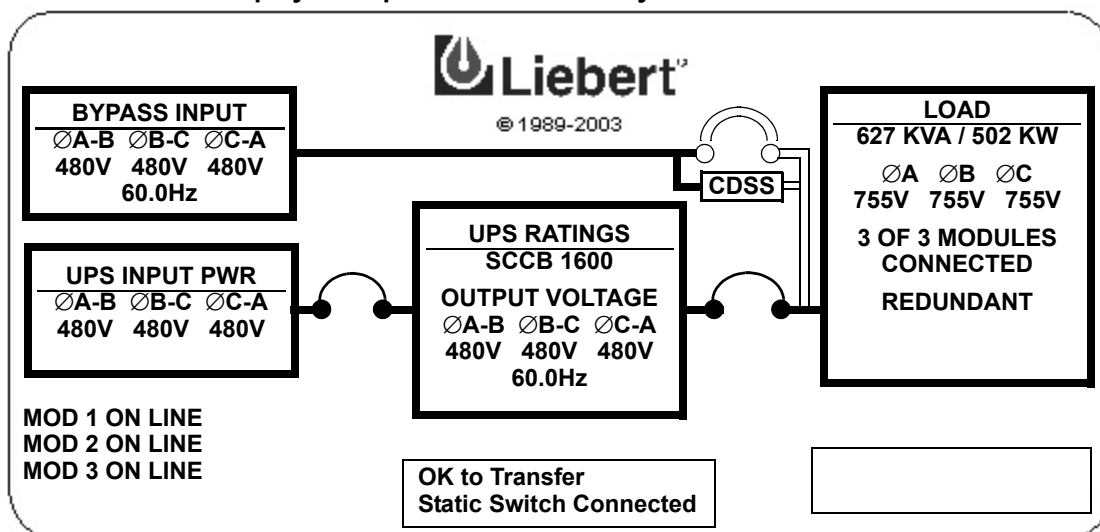
Figure 38 Battery test results screen



Continuous Duty Static Switch (Optional)

This option applies to SCC only. This feature requires installation of a Customer Alarm Interface board. When the CDSS feature is enabled and the Customer Alarm Interface option is installed and enabled, the mimic display will be modified to include a box in parallel with the bypass circuit breaker. The box will be labeled *CDSS*.

Figure 39 Monitor/Mimic display example: Continuous Duty Static Switch



Remote Monitor

The Remote Monitor Panel (optional) displays eight (8) alarms. These alarms are also available for customer use through a set of contacts on a separate terminal board.

When the New Alarm, System Summary Alarm or Module Summary Alarm is activated, you can get more information at the Operator Display Panel or through a remote terminal. Refer to **3.2.15 - Communication Interfaces**.

Table 6 SCC and module remote monitor indications

SCC Remote Monitor Indications	Channel	Module Remote Monitor Indications
Load On UPS	CH1	Output CB Open
Load On Bypass	CH2	Battery CB Open
Battery Discharging	CH3	Battery Discharging
Low Battery Warning	CH4	Low Battery Warning
Overload	CH5	Control Failure
Ambient Overtemp	CH6	Ambient Overtemp
System Summary Alarm	CH7	Module Summary Alarm
New Alarm	CH8	New Alarm

The following alarms, as well as those listed above, will activate the System Summary Alarm or the Module Summary Alarm.

Table 7 Other alarms that activate summary alarms

System Summary Alarm Activation	Module Summary Alarm Activation
Control Power Fail	Blower Failed
Emergency Off	Control Power Fail
Module Summary Alarm	DC Capacitor Fuse Blown
Output Over/Under Frequency	DC Ground Fault
Output Overvoltage	DC Overvoltage Shutdown
Output undervoltage	Emergency Off
Overload Transfer	Equipment Overtemperature
Static Switch Unable	Inverter Fault
	Low Battery Shutdown
	Overload
	Overload Shutdown
	Rectifier Fuse Blown
	Reverse Power

3.2.7 Alarm Limit Settings Screen

Go to the Master Menu and move the highlighted cursor to **LIMIT SETTINGS**. Press the Select pad and the Limit Settings screen is displayed.

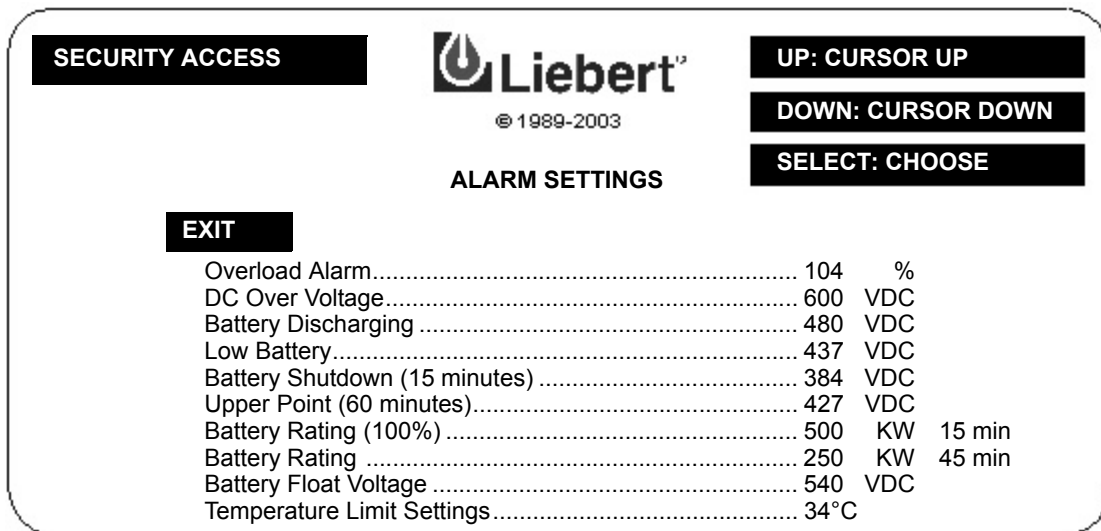
The Alarm Limit Settings screen has Security Access to enable an authorized Liebert field-service engineer to adjust the UPS system alarm limit settings.



CAUTION

All alarm limit settings are application matched and factory-set. They should not be changed casually. Contact Liebert Global Services for changing the alarm limit settings.

Figure 40 Module alarm limit settings screen



Overload Alarm (SCC and Modules): This alarm setting initiates an alarm message on the display screen warning the operator that the UPS system output current has exceeded the specified limit. This condition only activates an alarm. The UPS does not shut down, but a separate control circuit will transfer the critical load to bypass if the current and time of the overload condition exceeds system capability.

DC Overvoltage (Modules Only): This setting limits the maximum permitted level of the DC bus voltage. When this setting is exceeded, an alarm indication appears on the module display screen. The UPS module is taken off-line (the module output circuit breaker is tripped open) and the input and battery circuit breakers trip open.

Battery Discharging (Modules Only): When the battery voltage on the DC bus falls below this limit for 5 seconds, a Battery Discharging alarm message is displayed on the module screen. This means that the battery is discharging due to an input voltage sag or interruption or a module output overload.

Low Battery (Modules Only): While the battery is discharging, this alarm warns the operator that the Battery Shutdown level is approaching. This is generally set for a reserve time of approximately 5 minutes (typically 10 volts above the 60-Minute Battery Shutdown voltage), based on full load operation.

Battery Shutdown (15 Minutes) (Modules Only): When the battery voltage decreases to this limit for five seconds during the first 15 minutes of the discharge, the battery circuit breaker opens to prevent overdischarge. Note that the rated battery reserve time at your site may be other than 15 minutes.

Battery Shutdown (60 Minutes) (Modules Only): During extended outages or deep sags of more than 15 minutes, the shutdown voltage limit will ramp up gradually to this 60-minute limit to prevent lengthy discharge and possible battery damage. The battery circuit breaker opens when the battery voltage and the shutdown limit are equal for five seconds. See the Battery Time screen for more information. Also refer to the battery manufacturer’s manual, available on the manufacturer’s Web site.

Battery Rating (100%) (Modules Only). This setting is the full load discharge rating of the battery in kilowatts for the rated backup period. A typical rating might be 500 kW for 15 minutes.

Battery Rating (Modules Only): This setting is a battery discharge rating in kilowatts under partial load for an extended period, typically 60 minutes. The UPS uses the two battery shutdown voltage settings and the two battery discharge ratings in computing rated and calculated time remaining during a discharge event.

Battery Float Voltage

Both the information entered here and the actual float setting in the hardware are determined based on the battery's requirements. This information is generally available before factory testing and is set up at the factory. If the information is not available, it is set to the default of 540VDC.

Temperature Limit Setting (Optional)

This setting is visible when the optional battery-temperature-compensated charging board is installed. This setting determines the battery temperature that triggers the Battery Overtemp alarm. The alarm becomes active when the temperature setting is exceeded for more than one minute.



NOTE

The Low Battery alarm setting is designed to be useful at full load battery discharge rates. It is typically set for 10 volts above the 60-minute Battery Shutdown voltage, to provide some measure of warning under all circumstances. If the discharge period extends past 15 minutes (i. e., the load on the UPS is less than full capacity), the Battery Shutdown voltage setting is gradually and automatically increased to protect the batteries from deep discharge. The Low Battery alarm setting is not automatically increased and should not be relied upon as an accurate indicator of battery time remaining. Instead, the operator should consult the Battery Time screen or Present Status screen to see the calculated time remaining based on actual usage during the discharge period.

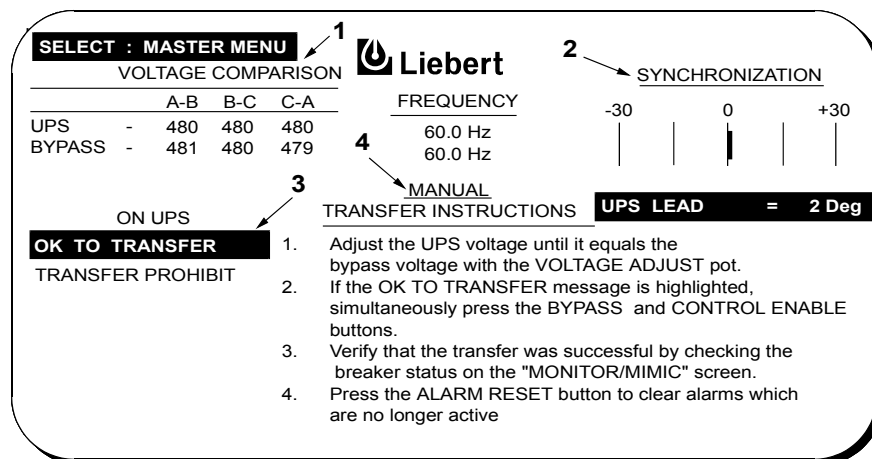
3.2.8 Load Transfer Procedures Screen

Go to the SCC Master Menu and move the highlighted cursor to **LOAD TRANSFER PROCEDURES**. Note that this screen is displayed at the System Control Cabinet but is not required at the UPS modules. Press the Select pad and the Load Transfer Procedures screen is displayed.

The Load Transfer Procedures screen contains instructions to transfer the critical load between the UPS system and the bypass line. Comparisons of the UPS and bypass voltage, frequency and phase synchronization are displayed along with transfer status messages and an indication of circuit breaker overlap time. The metered parameter values on the Load Transfer Procedures screen are updated at half-second intervals.

Refer to 3.4.3 - Load Transfer Procedures for more details.

Figure 41 Load transfer procedures screen



Item 1 - Voltage Comparisons: This chart shows the UPS and bypass voltage and frequency comparisons between each of the three phases. If the UPS and bypass voltages are not within specified tolerances, a manual transfer is not permitted and **TRANSFER PROHIBIT** is highlighted.

The Voltage Adjust knob (push-to-turn), located on the SCC Operator Control Panel (**Figure 10**), is used to match the UPS output voltage to the bypass voltage. When the UPS and bypass voltages match within the specific tolerance, a manual transfer is possible and **OK TO TRANSFER** is highlighted.



CAUTION

The UPS output voltage responds very slowly to inputs from the Voltage Adjust knob. Make small adjustments and wait several seconds each time for voltage to stabilize before continuing.

Item 2 - Synchronization: This display shows the phase synchronization between the UPS output and bypass power. If the phase displacement is outside of the tolerance, a manual transfer is not permitted and **TRANSFER PROHIBIT** is highlighted.

During normal operation, the synchronization display should read UPS LEAD from zero to 4 degrees.

Item 3 - Status Messages: Three messages are constantly displayed here. Only the active message is highlighted. If **TRANSFER PROHIBIT** is highlighted, manual transfers/retransfers cannot be performed and automatic retransfers will not be initiated.

Item 4 - Manual Transfer Instructions: These instructions assist the operator in transferring the critical load between the UPS system and the bypass line.

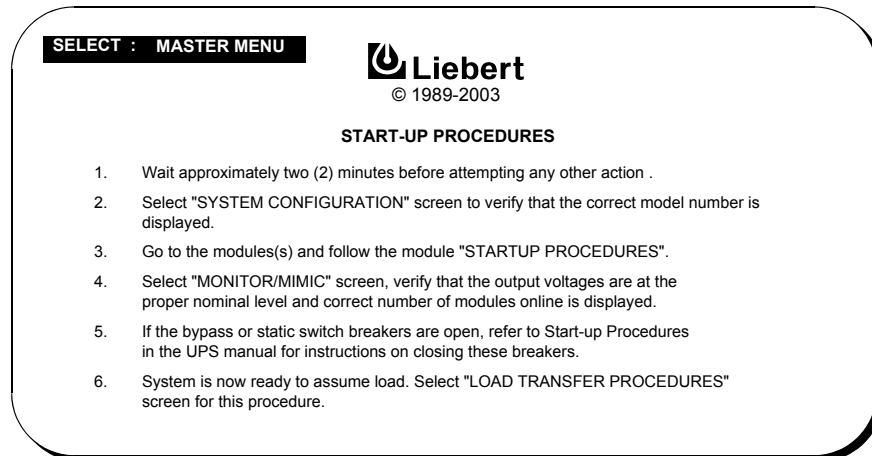
If the load is on the bypass line, step 2 on the screen will instruct you to press the **UPS** and **Control Enable** buttons to retransfer the load from the bypass line to the UPS system.

3.2.9 Start-Up Procedures Screen

From the SCC Master Menu, move the highlighted cursor to **START-UP PROCEDURES**. Press the Select pad and the SCC Start-Up Procedures screen is displayed (**Figure 42**).

This screen contains the steps you must follow to start-up the UPS system. The instructions are listed so you can review them prior to performing the start-up.

Figure 42 SCC start- up procedures screen



Prior to this procedure, supply power to the critical load through the bypass line. Start-up each UPS module according to the module start-up procedures. You can then transfer the load from bypass to the UPS system per instructions on the SCC Load Transfer Procedures Screen.

Refer to **3.4.1 - SCC Start-Up Procedure** for more details.



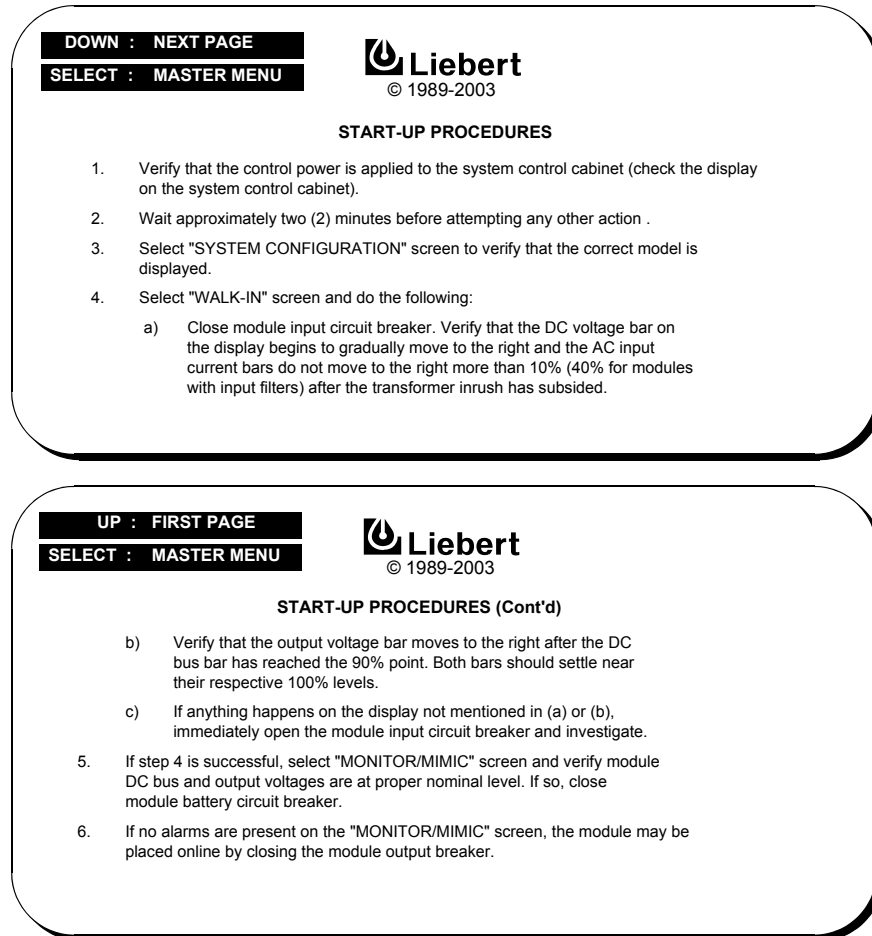
NOTE

*If the system was shut down in response to an "Emergency Off" signal (typically because of a load fault), there may be alarm messages on the LCD screen that describe system conditions before (or at the time of) the shutdown. Some or all of the alarm conditions may have already been resolved. To clear these alarm messages, make sure the critical load is on bypass power and turn off the control power (see **Figure 8** and **Figure 9**). Wait at least ten minutes for the control power circuitry to completely de-energize. After ten minutes, turn control power back on and follow the start-up procedures on the UPS and SCC screens.*

From the module Master Menu, move the highlighted cursor to **START-UP PROCEDURES**. Press the **Select** pad and the module Start-Up Procedures screen is displayed (**Figure 43**).

This two-page screen contains the steps you must follow to start-up each UPS system. The instructions are listed so you can review them prior to performing the start-up.

Figure 43 Module start- up procedures screens



Prior to this procedure, supply power to the critical load through the bypass line (at the SCC). When you close the UPS module input breaker, power is provided to the UPS rectifier. The module DC bus voltage ramps up to the nominal battery voltage and the UPS inverter turns on when the DC bus reaches the proper voltage. You can then close the battery circuit breaker (MBD) and the UPS module output circuit breaker to place the UPS module on-line.

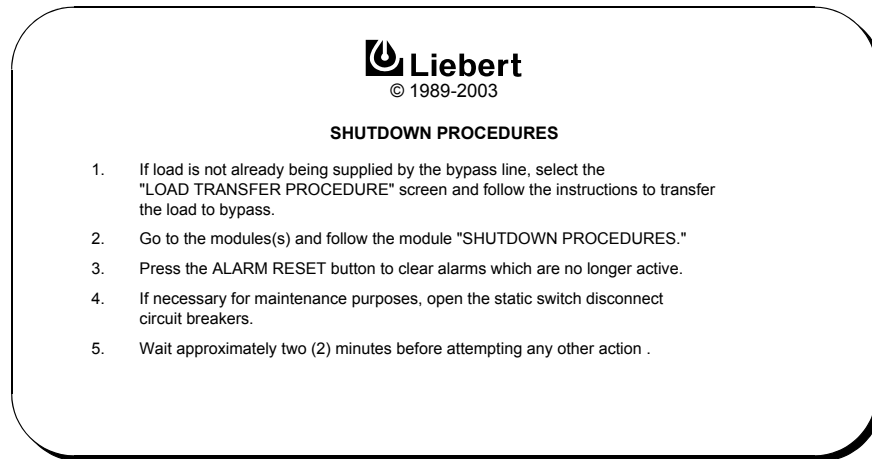
Refer to **3.4.1 - SCC Start-Up Procedure** for more details.

3.2.10 Shutdown Procedures Screen

Go to the SCC Master Menu and move the cursor to **SHUTDOWN PROCEDURES**. Press the **Select** pad and the SCC Shutdown Procedures screen is displayed.

This screen contains the steps you must follow to perform a controlled shutdown of the UPS system. The instructions are listed so you can review them before performing the controlled shutdown.

Figure 44 SCC shutdown procedures screen



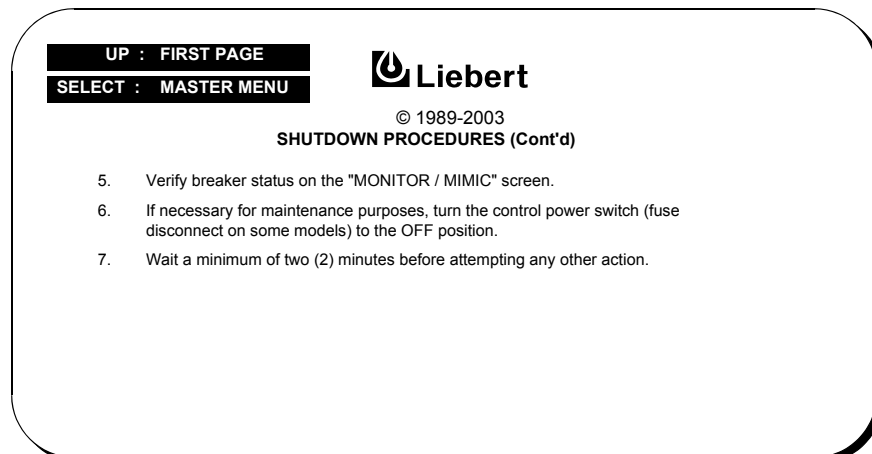
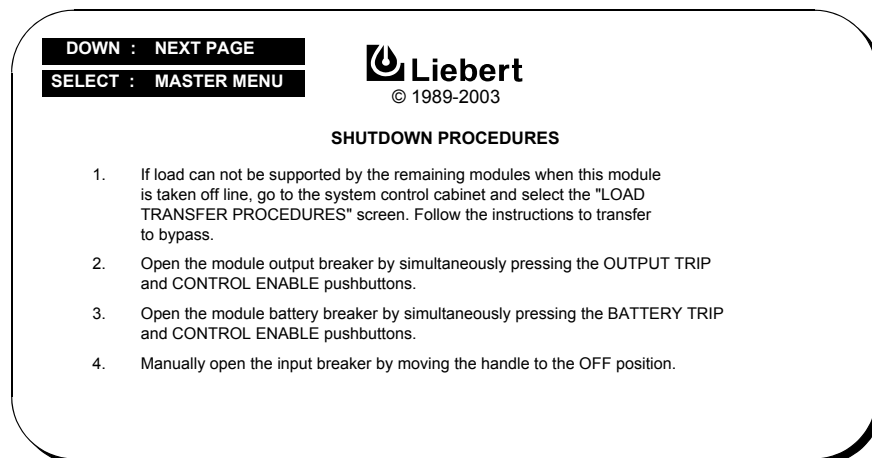
To perform the shutdown procedure, transfer the critical load from the UPS system to the bypass line. Shut down each UPS module according to the module Shutdown Procedures.

Refer to **3.4.5 - Shutdown Procedures** for more details, including emergency shutdowns.

Go to the module Master Menu and move the cursor to **SHUTDOWN PROCEDURES**. Press the **Select** pad and the module Shutdown Procedures screen is displayed.

This two-page screen contains the steps you must follow to perform a controlled shutdown of each UPS module. The instructions are listed so you can review them before performing the controlled shutdown.

Figure 45 Module shutdown procedures screen



To perform the shutdown procedure, transfer the critical load from the UPS system to the bypass line (at the SCC). Then trip open the UPS module output and battery circuit breaker (MBD) and manually open the UPS module input circuit breaker. The **Control Power** switch may be turned Off if required for maintenance procedures.

Refer to **3.4.5 - Shutdown Procedures** for more details, including module shutdowns for service and emergency shutdowns.

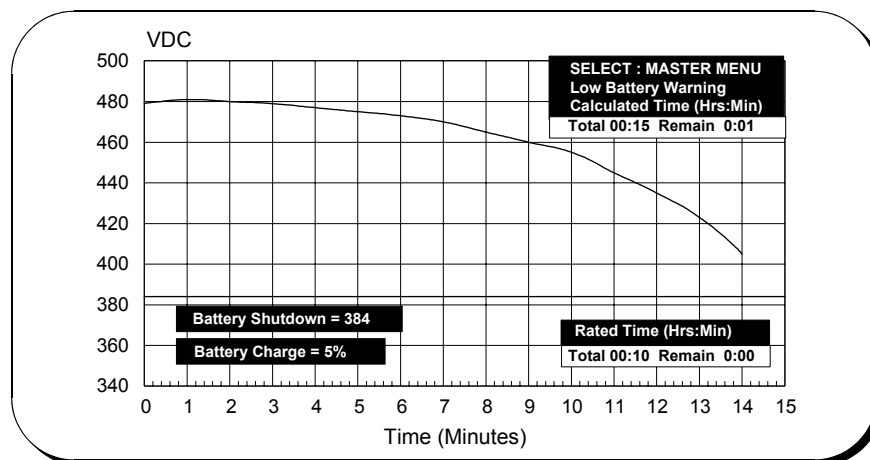
3.2.11 Battery Time Screen (Module Only)

At the Master Menu, move the highlighted cursor to **BATTERY TIME**. Press the Select pad and the Battery Time screen is displayed.

When AC power is not available to the UPS module, the UPS inverter uses DC power from the battery to supply the critical load. This screen helps the operator assess his power resources to determine if and when the critical load shutdown procedures need to be started.

The Battery Time screen is a line graph that tracks the present battery voltage versus the elapsed time that the battery has been discharging (**Figure 46**). As the battery voltage decreases, the line representing it moves closer to intersecting the line that represents the battery shutdown voltage. When the battery starts to discharge, the screen displays a 15-minute graph. If the battery has been providing power for more than 15 minutes, the screen displays a 30-minute graph. If battery power is still available after 30 minutes, a 60-minute graph is displayed (**Figure 47**).

Figure 46 Battery time screen (15 minute discharge)



NOTE

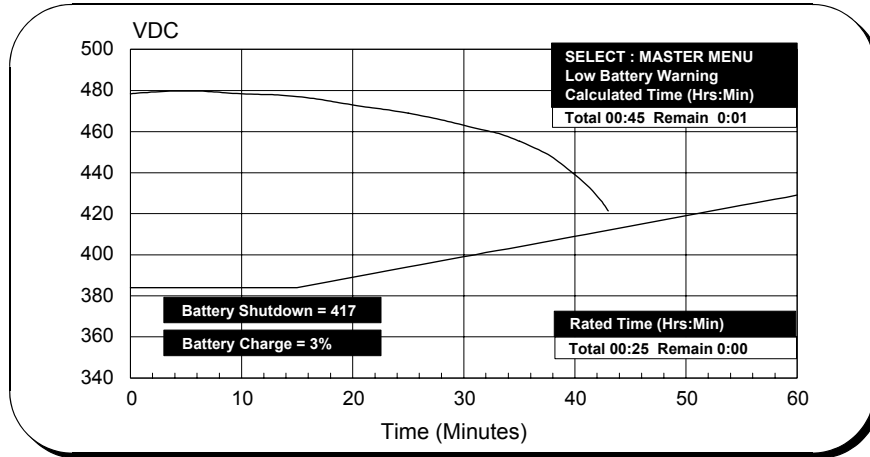
If the UPS modules connect to independent battery plants, consult all the individual module screens to get the complete picture. If the modules share a common battery, select one module to do the monitoring and disregard the others.

The screen also displays alarm messages (Battery Discharging, Low Battery Warning and Battery Shutdown) and a set of five parameters that inform the operator of battery condition and time remaining. The five parameters describing battery resources are:

- **Rated Total Time**, in hours and minutes, is the amount of battery backup time that should be available under full rated load, based on system design.
- **Rated Time Remaining** is the Rated Total Time less the duration of the present discharge event.
- **Calculated Total Time** is an estimate of the total battery backup time available, based on the initial battery condition and actual performance while powering the connected load during the discharge event.
- **Calculated Time Remaining** is a real-time estimation of battery time remaining—with the actual connected load—before battery voltage drops to the Battery Shutdown setpoint.
- **Battery Charge** is the approximate percentage of total designed ampere hours of battery capacity presently available based on recharge/discharge activity.

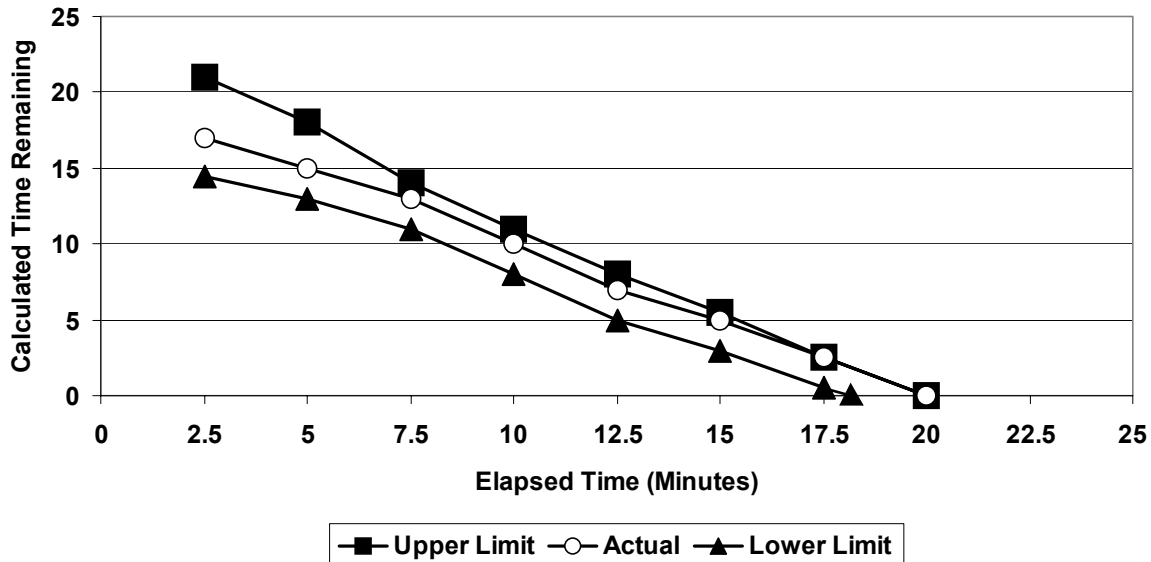
Values for Calculated Total Time and Calculated Time Remaining will appear on the screen approximately two minutes after the beginning of the discharge event. Calculated Time Remaining also appears on the Present Status Report screen. Both Calculated Total Time and Calculated Time Remaining will be updated every six seconds, reflecting actual load changes and battery condition. When the Calculated Times become available, they will be displayed in place of the Battery Discharging message on this screen.

Figure 47 Battery time screen (45-minute discharge)



The Battery Time Remaining graph and the Calculated times are extremely helpful to the operator who has the discretionary authority to order load-shedding activities. The Series 610 automatically samples battery voltage and load current and recomputes every six seconds. This gives the operator fast and accurate feedback on efforts to extend battery time remaining by shutting down non-critical loads.

Figure 48 Accuracy range of values for calculated battery times



NOTE

While every effort has been made to make the Rated and Calculated Time Remaining values as accurate as practical, these values must be regarded as approximations. At the beginning of the discharge cycle, the Calculated times could be off by as much as $\pm 20\%$ due to such variables as battery initial charge, age of battery and the subsequent load-shedding activities of the operator. Within a few minutes, however, these calculations should settle into their design accuracy of $\pm 10\%$, with the end-of-discharge tolerance being $+0, -10\%$ of actual observed time. In addition, the operator can adjust the settings affecting Rated Total Time after gaining experience with the actual battery and connected load.

The Series 610 dynamically adjusts the Battery Shutdown voltage based on battery characteristics and the length of the current discharge event. If a discharge event extends past 15 minutes (i.e., the load is less than the full design rating), the Battery Shutdown voltage setting is gradually and automatically increased, to protect the batteries from deep discharge.

When the battery voltage decreases to a preset limit (see **3.2.7 - Alarm Limit Settings Screen**), the Low Battery Warning alarm message appears on the display screen. This warns the operator that the battery voltage is approaching the Battery Shutdown level—about five minutes of time remaining at full rated load.



NOTE

The Low Battery alarm setting is designed to be useful at full load battery discharge rates. Unlike the Battery Shutdown voltage, the Low Battery alarm setting is not automatically increased and should not be relied upon as an indicator of battery time remaining. Instead, the operator should consult the Battery Time screen or Present Status screen to see the Calculated Time Remaining based on actual usage during the discharge period.

If the battery discharges to the Battery Shutdown level, represented by the lower line on the Battery Time screen, the battery and input circuit breakers trip open and the UPS module is shut down. This protects the battery from being damaged by an extended deep discharge.



CAUTION

When battery shutdown occurs, no power will be supplied to the critical load unless power is available through the bypass line from the utility source (or from an engine generator set). If you anticipate a battery shutdown (and an engine generator set is not available), either transfer the load to bypass (if available) or perform a controlled shutdown of the critical load.

If the Battery Time screen is displayed while the battery is not discharging, it will display the *present* Battery Charge percentage and the results of the *previous* discharge event.



NOTE

1. *During initial UPS start-up, the Battery Charge will display 100%, even though actual state of charge may be slightly less. It will normally take three to four days of operation to completely charge the battery. After the battery is fully charged the first time, Battery Charge will be an accurate indication of battery status.*
2. *If Calculated Time Remaining is less than Rated Time Remaining, a battery problem may be indicated. Battery maintenance personnel should thoroughly examine the battery plant for factors that may reduce battery performance, such as:*
 - *Battery age*
 - *Excessive battery discharge/recharge cycles*
 - *Bad or weak cells*
 - *Low acid levels in flooded cells*
 - *Loose electrical connections*
 - *Ambient temperature extremes*
 - *Dirty battery jar covers*
3. *If the battery plant has been thoroughly examined for proper maintenance and condition and the Calculated value is still less than 80% of Rated value, contact Liebert Global Services.*

The Series 610 records information about each discharge event. This data can be reviewed on the Battery Cycle Monitor screen, as described in **3.2.5 - Status Reports Screens**.

3.2.12 Meter Calibration Screen

Go to the Master Menu and move the highlighted cursor to **METER CALIBRATION**. Press the **Select** pad and the Meter Calibration screen is displayed.

The Meter Calibration screen enables a Liebert field-service engineer to adjust the calibration of the UPS metered functions at each cabinet. Access to these settings is limited by the Security Access control.



NOTE

Bypass volts are calibrated only at the System Control Cabinet (SCC). Input amps, DC volts, DC amps and temperature are calibrated only at the UPS modules.



CAUTION

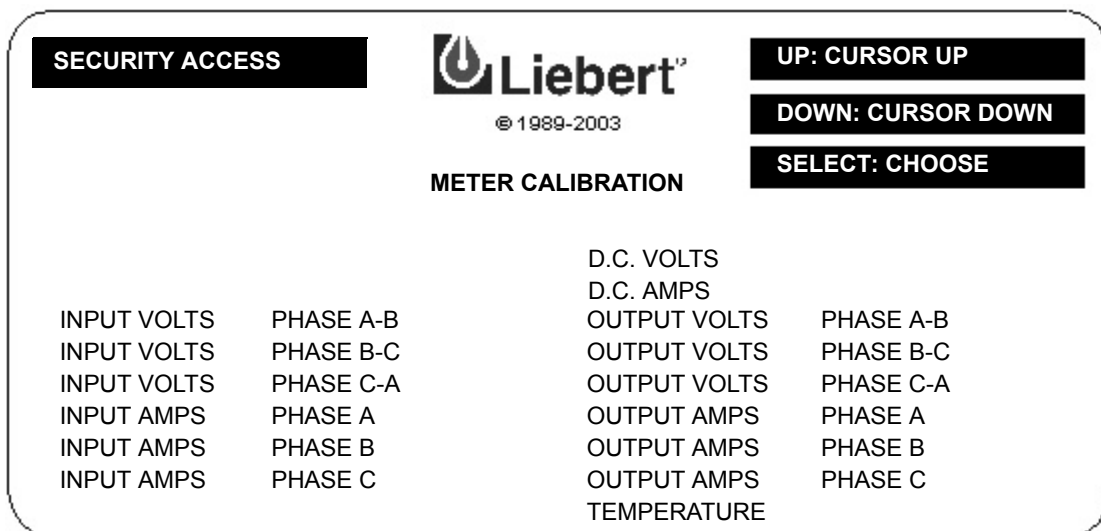
Meter calibrations are factory-set and should not require adjustment. Contact Liebert Global Services for meter calibration.



WARNING

Do not attempt to calibrate meters without adequate training. Meter calibration requires special test equipment, access to test points in sensitive circuitry and exposure to hazardous voltage.

Figure 49 Meter calibration screen



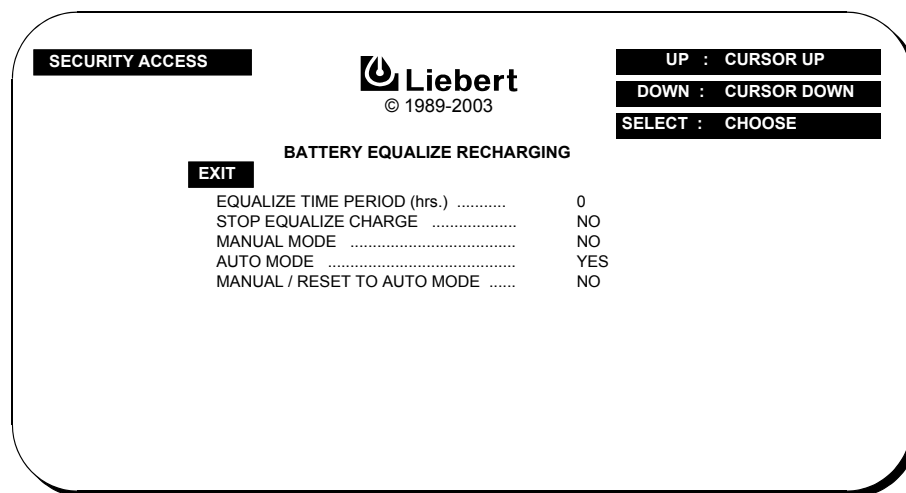
3.2.13 Battery Equalize Screen

Go to the Master Menu and move the highlighted cursor to **BATTERY EQUALIZE**. Press the **Select** pad and the Battery Equalize screen is displayed.

The Battery Equalize screen enables the operator to adjust the battery equalize time. It is also used to choose between auto and manual battery equalize recharging modes. Note that **AUTO MODE** can be selected only from the System Control Cabinet (SCC). Selections made at the SCC override previous selections made at the UPS modules.

When the input utility power is interrupted, the battery supplies DC power to the UPS module inverters so there is no interruption of power to the critical load. When the AC input power is restored, the battery equalize recharging circuit can be activated automatically or manually to increase the module rectifier/charger output voltage to recharge the battery. The battery equalize circuit may also be manually activated at any time during normal float (constant) voltage operation. The equalizing time can be adjusted from 0 to 72 hours.

Figure 50 Battery equalize screen



CAUTION

Do not use the Battery Equalize mode if you have valve-regulated, sealed-cell (maintenance-free) batteries. Refer to your battery manufacturer's manual, available on the manufacturer's Web site.

EQUALIZE TIME PERIOD. This selection permits the operator to adjust the battery equalize time in one hour increments from 0 to 72. The battery equalize time must be greater than zero for the battery to begin recharging in both the **AUTO** and the **MANUAL** modes. This period is set by use of the **Up/Down** pads and **Select** pad.

When the battery is at full voltage (not being recharged), this selection reads **EQUALIZE TIME PERIOD (hrs)**. When the battery is recharging, this selection reads **EQUALIZE TIME REMAINING (hrs)**. After the equalize recharge time has expired, the indication returns to the preset equalize time.

STOP EQUALIZE CHARGE. This selection lets the operator halt the equalizing charge to the battery at any time, whether the circuit was activated automatically or manually.

MANUAL MODE. This mode enables the operator to manually initiate a battery equalize charge to raise the DC bus voltage to correct a non-uniformity in the individual cell voltages or specific gravity readings.

AUTO MODE (SCC only). When the battery recharge control logic is in the **AUTO MODE**, the UPS module battery chargers attempt the equalization process only if the **EQUALIZE TIME PERIOD** is greater than zero, the battery voltage has been at or below the Battery Discharging alarm limit for longer than 30 seconds and the battery breakers (MBD) are closed.

3.2.14 Alarm and Status Messages

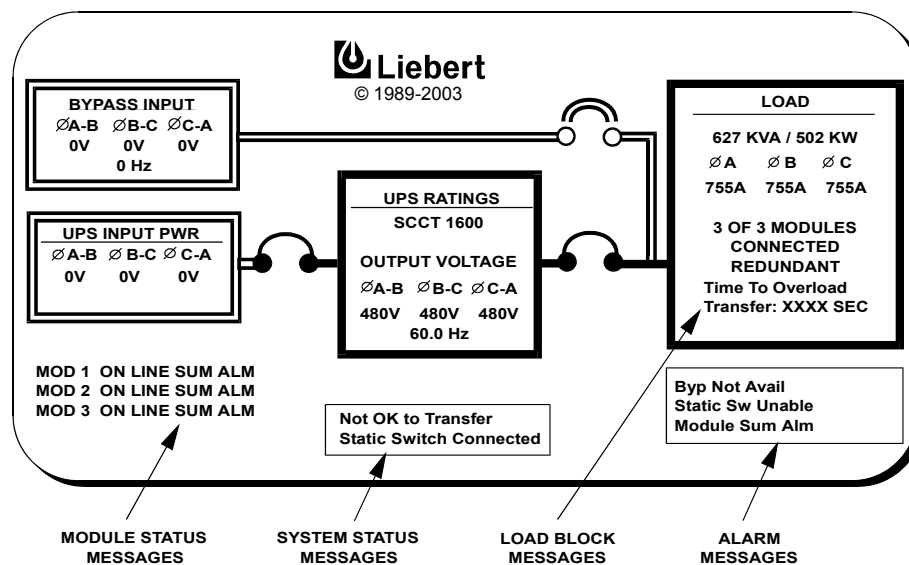
Module Status Messages

The module status messages indicate how many UPS modules are included in the system and the present status of each module.

The following status messages may appear in the module status area.

1. **MOD N:** A module status message line is displayed for each UPS module in the system. Up to six (6) modules may be included in a multi-module system. The N in the message will indicate a specific UPS module number, 1 through 6.
2. **ON LINE:** The UPS module output circuit breaker is closed and power from the module is available to the SCC. The module output is sharing the critical load if the UPS Output Breaker is closed.
3. **OFF-LINE:** The UPS module output circuit breaker is open. More specific alarm messages are displayed at the UPS module.
4. **SUM ALM:** The Module Summary Alarm has been activated by one of the alarm messages listed in two tables—**SCC and module remote monitor indications** and **Other alarms that activate summary alarms**—in 3.2.6 - System Configuration Screens. The specific alarm message is displayed at the UPS module.
5. **COM FAIL:** The UPS module is not communicating with the SCC. This could mean loss of power to the UPS module controls, a disconnected cable or a control logic failure (detected by watchdog timer. Call Liebert Global Services if you require assistance. To resume communication after control power is restored, sequence display to Master Menu.

Figure 51 SCC status and alarm message areas



System Status Messages

The system status messages indicate whether the static bypass switch is connected or disconnected, through the manually operated **Static Switch Disconnects** (see **Figure 9**). The status messages also advise the operator when a transfer or retransfer between the UPS system and bypass line is permitted, based on matching voltage, frequency and phase.

The following status messages may appear in the system status area.

1. **Static Switch Connected:** The static switch is connected (the disconnect switches are closed—ON) and is ready to provide a current path from the bypass input to the load.
2. **Static Switch Disconnected:** The static switch is disconnected (the disconnect switches are open—OFF) for maintenance procedures.
3. **OK to Transfer:** The UPS system voltage, frequency and phase match the bypass line. This means that a transfer between the bypass line and the UPS system is permitted.
4. **Not OK to Transfer:** Either the UPS or bypass voltage, frequency or phase is not within the specified limits or the static bypass switch is not available. Therefore, manually initiated transfer between the bypass line and the UPS system is not permitted. Emergency or overload transfer to bypass may still be available provided the “Static Switch Unavailable” alarm is not indicating.

Load Block Messages

Status messages in the Load Block indicate how many modules are in the system, how many modules are ON LINE and whether the system is operating in the redundant mode.

The following status messages may appear in the load block.

1. **N OF X MODULES CONNECTED:** The number N is the number of UPS modules ON LINE. This means the module output circuit breaker is closed. X is the number of UPS modules in the system (connected to this SCC). This number is set from the System Configuration screen.
2. **REDUNDANT:** The capacity of the UPS modules ON LINE is sufficient to supply the critical load even if one module is taken OFF LINE. The critical load will remain on the UPS system if one module goes OFF LINE.
3. **NON-REDUNDANT:** The critical load will be transferred to bypass if one module goes OFF LINE and you must transfer the load to bypass in order to perform maintenance on any UPS module.
4. **TIME TO OVERLOAD TRANSFER:** During an overload condition, the time remaining before transfer (in seconds) is displayed at the bottom of the load block. At each Module (MMU), the message is Time to Overload Shutdown.

Alarm Messages

The alarm message area displays the alarm conditions that are present within the UPS system. Alarm messages are displayed in flashing reverse video. During normal operation no alarm messages should be present. Up to four messages are displayed. To see if any additional alarm conditions are present in the UPS system, display the Present Status screen on the control panel.

Table 9 is a complete list of all alarm messages and corrective actions, if any.

The **first column** lists the alarm message, with related alarms grouped together.

The **third column** indicates which special functions (if any) are initiated by the alarm.

D - The alarm initiates an auto-**dial** call through a user-provided modem to a remote terminal.

E - Message displayed only on Status Report screens including **Event** History.

F - The alarm **freezes** the History Status Report memory buffer in the cabinet where the alarm is displayed. Pressing the **Alarm Reset** pad for more than 5 seconds will unfreeze the memory buffer as long as the alarm is no longer active.

L - The alarm **latches** the displayed alarm message. Some alarm conditions are temporary (transient) and may not last long enough to be noticed. Latching the display (keeping it on) lets you know that an alarm condition has occurred. A latching display alarm remains on the display screen until the alarm condition is removed **and** the **Alarm Reset** pad is pressed.

R - The alarm is displayed on an (optional) **Remote** Monitor Panel. This information is also available for customer use through a set of contacts on a separate terminal board.

S - The alarm initiates a **summary** alarm at the Remote Monitor Panel and at the SCC.

The **fourth column** provides an explanation of the alarm condition, the critical bus status and the corrective actions, if any, to remedy the alarm.

Table 8 Abbreviations used in alarm messages

Abbreviation	Definition	Abbreviation	Definition
Auto	Automatic	Ov-temp	Overtemperature
Avail	Available	O-volt	Overvoltage
Batt	Battery	O-volts	Overvoltage
Byp	Bypass	Ph Seq	Phase Sequence
Cap Fuse	Capacitor Fuse	Rect Fuse	Rectifier Fuse
Cont Power	Control Power	Rexfer	Retransfer
Equip	Equipment	Shutdn	Shutdown
H/W	Hardware	Static Sw	Static Switch
Inv Fuse	Inverter Fuse	Un-volts	undervoltage
OF/UF	Over/Under Frequency	Xfer	Transfer

Table 9 Alarm messages - meaning and corrective action

Alarm Message	Cabinet Location	Special Functions	Meaning and Corrective Action
AC INPUT			
Input Fail	MMU	—	The rectifier input line voltage is outside of specified limits or the input circuit breaker is opened while the battery circuit breaker remains closed. The battery supplies power to the critical load through the UPS inverter. <i>Provide an alternate source of AC power or prepare to initiate critical load procedures when battery reserve time is low.</i>
DC BUS			
DC Ground Fault	MMU	D, L, S	Either the positive (+) or negative (-) DC bus is grounded. No transfer or shutdown occurs. <i>Contact Liebert Global Services at once. Do not attempt to locate or repair the fault.</i>
DC Capacitor Fuse Blown	MMU	D, F, S	At least one DC capacitor fuse has opened. The UPS module is taken off-line and the input and battery circuit breakers trip open. <i>Contact Liebert Global Services at once. Do not attempt to reset the circuit breakers.</i>
Battery CB Open	MMU	D, R, S	The module battery circuit breaker (MBD) is open. This circuit breaker can be opened either manually or automatically in a UPS shutdown procedure. If the UPS is operating with this breaker open, the critical load is not protected from loss of the utility source power. <i>After AC power is restored and the DC bus is at 100% operating voltage, manually close the battery circuit breaker so the rectifier can charge the battery.</i>
Battery Discharging	MMU	D, R, S	The battery is discharging. This occurs whenever the battery supplies power to the load for more than 5 seconds because of input power failure, a rectifier problem or an overload condition. If the input power or a source of auxiliary power is restored to the UPS module, the UPS automatically returns to normal operation. <i>Watch the battery voltage carefully. Reduce the load (begin controlled shutdown) to extend the battery back-up time. Reset the UPS alarms after the input power is restored. The message clears after 30 seconds.</i>
Low Battery Warning	MMU	D, R, S	The battery voltage is approaching the minimum discharge voltage (approximately 5 minutes remaining). <i>Complete the controlled shutdown of the critical load. Reset the alarms if the input power is restored before shutdown.</i>
Low Battery Shutdown	MMU	D, F, L, S	The battery voltage has decreased to the minimum discharge value. The UPS module is taken off-line (no power to the critical load) and the battery and input circuit breakers trip open. <i>Perform a UPS system start-up procedure when AC power becomes available.</i>
DC Overvoltage Shutdown	MMU	D, F, L, S	The maximum preset value of the DC Bus voltage has been exceeded. The UPS module is taken off-line and the input and battery circuit breakers trip open. <i>Contact Liebert Global Services at once. A fault may have occurred within the UPS. Do not attempt to reset the circuit breaker.</i>
BYPASS			
Load On Bypass	SCC	D	The critical load is being supplied power from the bypass line and is therefore exposed to utility power disturbances. <i>Clear all of the alarms before attempting to retransfer the load from the bypass line to the UPS.</i>

Table 9 Abbreviations

D = auto-dial; L = latches

E = logs only; R = remote

F = freezes; S = summary

D* = auto-dial initiated by Auto Transfer to Bypass if load is on UPS when alarm occurs

D# = auto-dial initiated through Module N (1-6) off-line

Table 9 Alarm messages - meaning and corrective action (continued)

Alarm Message	Cabinet Location	Special Functions	Meaning and Corrective Action
BYPASS (Cont'd.)			
Auto Transfer to Bypass	SCC	D, E, F	The critical load has been automatically transferred to the bypass line. <i>Use the History Status screen to determine the cause for the transfer. Clear all of the alarms before attempting to retransfer the load from bypass to UPS.</i>
Auto Retransfer Primed	SCC	—	An automatic retransfer will be initiated when the OK to Transfer condition has been present for 10 seconds, if the overload has dropped below 100% of the rated SCC current and if enough UPS modules are on-line.
Manual Reset/Retransfer	SCC	—	A manual retransfer is required. Either a system overload condition has lasted more than 5 minutes or no more auto-retransfer attempts are available. Note that this alarm is only used if auto-retransfer attempts are enabled. <i>Perform a manual retransfer if all necessary conditions are present.</i>
Static Switch Unable	SCC	D, S	The UPS output is not synchronized to the bypass power source. The static bypass switch is disconnected or it has failed internally. <i>Emergency and overload transfer to the bypass source is not available. Manually set the Static Switch Disconnects to ON (closed) if the static switch is disconnected. If the alarm conditions are automatically corrected, reset the alarm to clear it. Contact Liebert Global Services if the alarm stays on.</i>
Bypass Not Available	SCC	—	The bypass power source voltage is not within specifications. <i>Correct the bypass AC power source.</i>
Bypass Phase Sequence Wrong	SCC	D, L, S	The power conductors on the bypass line are not wired to the UPS in the required sequence. This alarm should appear only during initial start-up or after a repair to the source power system. <i>Disconnect power from the bypass line and correct the wiring. A Liebert Global Services representative must be present during initial start-up of your UPS System.]</i>
UPS SYSTEM			
Input Current Unbalance	MMU	D, E	At least one input phase differs from the average current by 10% or more for four (4) hours. <i>Contact Liebert Global Services. If the condition persists, transfer the load to the bypass line.</i>
Control Power Fail	SCC	D, L, S	The logic control power supply from the UPS output is not operating properly. The UPS module continues operating but will shut down if the input power fails. The SCC continues operating but will shut down if the bypass power fails. <i>Contact Liebert Global Services immediately.</i>
	MMU	D, L, S	
Output Over/Under Frequency	SCC	D, L, S	Output frequency differs from the nominal (60 Hz) by more than 0.5 Hz. No transfer or shutdown occurs. <i>Contact Liebert Global Services at once.</i>
Output Undervoltage	SCC	D, F, L, S	The UPS system output voltage is under the minimum (-12%) deviation from nominal. The load automatically transfers to the bypass line. <i>If the alarm condition is no longer present, reset the alarm and retransfer the load from bypass to UPS. Contact Liebert Global Services if alarm persists.</i>
Output Overvoltage	SCC	D, F, L, S	The UPS system output voltage is above the maximum (+10%) deviation from nominal. The load automatically transfers to the bypass line. All UPS modules are taken off-line and are shut down. <i>Contact Liebert Global Services at once. Do not attempt to reset circuit breakers.</i>
Overload	SCC	D, R, S	The UPS output current exceeds the rated system load current. This condition causes an alarm only, the UPS does not shut down. <i>Determine cause of the overload. Reduce the load until the overload condition is corrected. Reset the UPS alarm.</i>
	MMU	D, S	

Table 9 Abbreviations

D = auto-dial; L = latches

E = logs only; R = remote

F = freezes; S = summary

D* = auto-dial initiated by Auto Transfer to Bypass if load is on UPS when alarm occurs

D# = auto-dial initiated through Module N (1-6) off-line

Table 9 Alarm messages - meaning and corrective action (continued)

Alarm Message	Cabinet Location	Special Functions	Meaning and Corrective Action
UPS SYSTEM (Cont'd.)			
Overload Transfer	SCC	D, F, L, S	The load on the UPS has exceeded the current versus time window of system overload capacity. The UPS system transfers the load to bypass. <i>Reduce the load. If the system does not initiate an automatic load retransfer, manually retransfer the critical load from the bypass line to the UPS. Reset the alarm.</i>
Module Summary Alarm	SCC	S	An alarm message (see lists in SCC and module remote monitor indications and Other alarms that activate summary alarms in 3.2.6 - System Configuration Screens) or the watchdog timer has activated the Module Summary Alarm. <i>Clear alarm conditions, if possible.</i>
	MMU	R	
Module N Off Line	SCC	D	The output circuit breaker of Module N is open. The number N will identify the module (1 through 6). <i>Review active alarms at Module N and clear alarm conditions, if possible.</i>
	MMU	R	
Inverter Nonsynchronized	MMU	—	Inverter output is not synchronized with the UPS system critical bus. This also means the output circuit breaker is open and should not be closed until the output is in sync. This condition may correct itself. If not, shut down the UPS module and then perform a start-up procedure. <i>Contact Liebert Global Services if condition persists.</i>
Overload Shutdown	MMU	D, F, L, S	The UPS output current has exceeded 175% of the rated full load or the overload capacity has been exceeded. The UPS module is taken off-line and shut down. <i>Contact Liebert Global Services at once. Do not attempt to reset circuit breakers.</i>
Reverse Power	MMU	D, F, L, S	Excessive reverse power flow from the critical bus into the UPS inverter has occurred, probably because of low inverter output voltage or a phase mismatch. The UPS module is taken off-line and is shut down. <i>Contact Liebert Global Services immediately. Do not attempt to reset circuit breakers.</i>
Rectifier Fuse Blown	MMU	D, F, S	At least one of the fuses has opened or a rectifier fault was detected. UPS module is taken off-line and is shut down. <i>Contact Liebert Global Services immediately. Do not attempt to reset circuit breakers.</i>
Inverter Fault	MMU	D, F, S	At least one of the fuses has opened or an inverter fault was detected. The UPS module is taken off-line and is shut down. <i>Contact Liebert Global Services immediately. Do not attempt to reset the circuit breakers.</i>
Communication Failure	SCC	S	The COM FAIL status message is as important as an alarm message. <i>Refer to 3.2.14 - Alarm and Status Messages.</i>
Battery Cycle Buffer Warning	MMU	D, S	The optional Battery Cycle Monitor can retain information about the last 132 battery discharge events. When the storage buffer approaches its capacity, this warning message is broadcast via terminal and modem communication channels and a complete listing of all records is sent to the terminal port. The message clears after 30 seconds.
Battery Exercise	MMU	—	Battery self-test can be enabled from System Options screen. For test to start, the following conditions must be valid: 1. No Battery Overtemp Alarm must exist. 2. Battery input and output circuit breakers must be closed. 3. All three input volt phases must be within nominal range (+10%, -20%). 4. DC volts must be greater than (DC Ref) -20V. For a 540 bus, the nominal float voltage for 240 cells (the DC voltage reference setting) the DC voltage on the battery must be greater than 520VDC. 5. Battery charge must be greater than 90%. 6. Load must be greater than 15%.

Table 9 Abbreviations

D = auto-dial; L = latches
E = logs only; R = remote
F = freezes; S = summary

D* = auto-dial initiated by Auto Transfer to Bypass if load is on UPS when alarm occurs

D# = auto-dial initiated through Module N (1-6) off-line

Table 9 Alarm messages - meaning and corrective action (continued)

Alarm Message	Cabinet Location	Special Functions	Meaning and Corrective Action
Battery Overtemp	MMU	D, S	Battery Temp option must be installed and enabled. Battery Temp exceeds the programmed limit set in Alarm Settings screen for more than one minutes.
Hardware Shutdown	MMU	D#	At least one of the following alarm conditions is present: Inverter Fault, Rectifier Fuse Blown, Reverse Power, Overload Shutdown, logic power supply failure or inverter output symmetry failure. The UPS module is taken off-line and is shut down. <i>Contact Liebert Global Services at once. Do not attempt to reset the circuit breakers.</i>
Emergency Off	SCC	D*, L, S	The Emergency Module Off (or Emergency Power Off) switch has been pressed, which caused the UPS system to shut down and transfer the load to the bypass line (or all power to the critical load has been shutdown). <i>Determine the cause of the emergency condition and correct it if possible. Contact Liebert Global Services if you require assistance.</i>
	MMU		
COOLING			
Ambient Overtemperature	MMU	D, R, S	The intake air to the UPS module exceeds the specified maximum temperature. <i>This condition only causes an alarm, but should be corrected immediately to prevent damage to equipment due to overheating.</i>
Blower Failed	MMU	D, S	A fault in one or more of the blower motors has occurred. This condition only causes an alarm, but if not promptly corrected it could cause an equipment overtemperature condition that would shut down the UPS module. <i>Check the blowers for proper operation. Contact Liebert Global Services if you require assistance.</i>
Equipment Overtemperature	MMU	D, S	Sensors on power semiconductor heatsinks detect temperatures above the steady state limits for these components. The control logic sets off the alarm but does not shut down the UPS module if the condition lasts less than 10 minutes. <i>Check the air intake, air exhaust and filters. Reduce the load or transfer it to bypass. Contact Liebert Global Services if the alarm persists.</i>
Overtemperature Timeout	MMU	D, F	An Equipment Overtemperature condition has persisted for more than 10 minutes. The UPS module is taken off-line and is shut down. <i>Check the air intake, air exhaust and filters before attempting to start-up the UPS.</i>
REMOTE MONITOR PANELS (Refer also to SCC and module remote monitor indications and Other alarms that activate summary alarms in 3.2.6 - System Configuration Screens)			
Load On UPS	SCC	R	The UPS is operating properly. No corrective action is necessary.
New Alarm	SCC	R	Another new alarm message has been registered on the UPS system. <i>Clear the new alarm condition, if possible.</i>
	MMU	R	
System Summary Alarm	SCC	R	One or more of the UPS system alarm messages has been activated or a control logic failure has been detected by a watchdog timer. <i>Use the Present Status screen to determine which alarms are active. Clear the new alarm condition if possible to do so.</i>
Module Summary Alarm	MMU	R	One or more of the UPS module alarm messages has been activated. <i>Use the Present Status screen to determine which alarms are active. Clear the new alarm condition, if possible to do so.</i>

Table 9 Abbreviations

D = auto-dial;

L = latches

E = logs only;

R = remote

F = freezes;

S = summary

D* = auto-dial initiated by Auto Transfer to Bypass if load is on UPS when alarm occurs

D# = auto-dial initiated through Module N (1-6) off-line

Table 10 Alarm messages - summary

Alarm Message	MMU	SCC	Special Functions
Input Fail	X	—	—
DC Ground Fault	X	—	D, L, S
DC Capacitor Fuse Blown	X	—	D, F, S
Battery CB Open	X, R	—	D, S
Battery Discharging	X, R	R	D, S
Low Battery Warning	X, R	R	D, S
Low Battery Shutdown	X	—	D, F, L, S
DC Overvoltage Shutdown	X	—	D, F, L, S
Load On Bypass	—	X, R	D
Auto Transfer to Bypass	—	E	D, F
Auto Retransfer Primed	—	X	—
Manual Reset/Retransfer	—	X	—
Static Switch Unable	—	X	D, S
Bypass Not Available	—	X	D, L, S
Bypass Phase Sequence Wrong	—	X	—
Input Current Unbalanced	E	—	D
Control Power Fail	X, R	X	D, L, S
Output Over/Under Frequency	—	X	D, L, S
Output Undervoltage	—	X	D, F, L, S
Output Overvoltage	—	X	D, F, L, S
Overload	X	X, R	D, S
Overload Transfer	—	X	D, F, L, S
Inverter Non-Synchronized	X	—	—
Module N (1-6) Off Line	R	X	D
Overload Shutdown	X	—	D, F, L, S
Reverse Power	X	—	D, F, L, S
Rectifier Fuse Blown	X	—	D, F, S
Inverter Fault	X	—	D, F, S
Hardware Shutdown	X	—	D#
Emergency Off	X	X	D*, L, S
Ambient Overtemperature	X, R	R	D, S
Blower Failed	X	—	D, S
Equipment Overtemperature	X	—	D, S
Overtemperature Timeout	X	—	D, F
Load On UPS	—	R	—
New Alarm	R	R	—
Module Summary Alarm	R	X	S
System Summary Alarm	—	R	—
Battery Exercise	X	—	—
Battery Overtemp	X	—	D, S

D = Auto-Dial initiated
 D* = Auto-Dial initiated through Auto Transfer to Bypass if load is on UPS
 D# = Auto-Dial initiated through Module N (1-6) off-line
 E = message displayed on Status Report screens

F = freezes the History Status Report memory buffer
 L = latches the displayed alarm message
 R = Remote Alarm Contact (optional on MMU)
 S = Summary Alarm (System or Module) initiated
 X = message displayed on Monitor/Mimic screen and audible alarm

3.2.15 Communication Interfaces

Your Liebert Series 610 UPS includes the following communication ports:

- Worldwide reporting to a remote terminal through a modem
- Reporting to a local terminal (no modem required)
- Reporting to a local monitor only
- Site reporting to Liebert SiteScan or other central monitoring system
- Reporting through an SNMP interface to a building management or network management system
- Selected alarm messages to a Liebert Remote Monitor Panel and to contact closures for customer use

All external communication devices, including the modem, are optional equipment. Connections to communication ports are made by wiring cables to terminal boards at the SCC. Connection points are shown on the Control Wiring Interconnect Diagram in the installation manual. Contact Liebert Global Services for assistance when attaching an external device to your UPS system.

Any terminal that accepts the standard 7-bit ASCII codes and conforms to the data link requirements can be used to interface with the Series 610 UPS. If a printer is used, the terminal must support it. The UPS does not send or receive any printer control commands.

Data link requirements are:

- Asynchronous RS-232 communication
- Terminals may be configured as DTE or DCE
- Baud Rate:
 - Modem: 1200 or 2400
 - Terminal: 2400 only
- Data Bits: 8
- Stop Bits: 1
- Parity: None
- Handshaking: Not required
- Full Duplex

Worldwide Reporting

The Series 610 transmits UPS system status and history information to a remote terminal in RS-232 format through a PC-compatible modem.

Auto-Dial

The Series 610 UPS communication program will automatically dial a pre-programmed (customer-selected) phone number when specified alarm conditions occur. The auto-dial phone number, an alternate number and the modem baud rate are programmed by using the SCC System Configuration screen. The alarm messages that initiate an auto-dial call are identified in **Table 9**.

When the auto-dial function is initiated, automatic dial attempts to the first phone number are made at periodic intervals for 30 minutes. If unanswered, the system rolls over to the second number and repeats calling until connection is made or returns to first phone number after 30 minutes.

Once a connection is made to a terminal, the system transmits the information on the Present Status Report screen, then hangs up. The Present Status Report includes the UPS system identification number, date, time, alarm messages and metered parameter indications.

Requesting Information

If your Series 610 is equipped with a modem and telephone line, you can call the UPS and receive system status and historical information on discharge events. You can place the call from either a remote terminal or a personal computer with a communications program.

Follow the instructions for your terminal or your communications program to call the UPS. When you make connection, the UPS will send you the greeting: "Hello, you are connected to a Series 610." At this point, the UPS will respond to your specific requests for information, according to **Table 11**.

For example, to see a copy of information on the Present Status Report screen from the SCC (see **Present Status** in this manual), press the “A” key (either uppercase or lowercase can be used for all except the date and time commands) and then the Enter key. The Series 610 will send the data, which will be displayed on your screen. To see the Present Status Report screen from, say, Module 1, type A1 and press the Enter key. Please note that the data on the screen is like a snapshot—the status of the UPS at the moment you requested the information. The information sent remotely is not updated, although you can repeat the process at intervals to request the present information.

Some screens, like the Battery Cycle Monitor information, contain data that you may wish to import into a spreadsheet for further calculations. To put this data into a usable format, use the screen-capture feature of your communications software (or a separate screen-capture program) to save all or part of the data to disk.

**NOTE**

If you save the file with an extension of “.txt,” it can then be imported into a spreadsheet program and converted to worksheet format.

To terminate your connection to the Series 610, press the “H” key and then the Enter key. The UPS will hang up its modem and await your next call.

Local Reporting to a Terminal

The Series 610 sends UPS system status and history information to a local terminal in RS-232 format. No modem is required. The Present Status Report screen is sent to the local terminal whenever a new alarm occurs. Commands for requesting information and for changing the date and time are in **Table 10**.

Local Reporting to a Monitor

A monitor connected to this port will display the same alarm information being sent to the local terminal. This monitor does not display information going out through the modem port.

Site Reporting: SiteScan or SNMP

The SiteScan port sends UPS system information to a Liebert SiteScan Central Monitoring System. UPS operation, environmental control systems and facility security can all be monitored from a single location. This information can also be sent via SNMP interface to a local network or building management system.

If your site has SNMP communications, the optional Liebert SiteNet Integrator allows you to monitor the status of all the dry-contact outputs of the Series 610. The Integrator module monitors up to 10 digital inputs and two temperature/humidity sensors and can control two external devices with contact closure outputs. It can be programmed to activate local audible and visual alarms in addition to network “traps.”

Other communications options include the use of an Ethernet-based Liebert Network Management System. Contact your local Liebert representative for further details.

Remote Monitor Panel

The Liebert Remote Monitor Panel provides an LED indication of the following conditions:

- Load On UPS
- Load On Bypass
- Battery Discharge
- Low Battery Warning
- Overload
- Ambient Overtemp
- System Summary Alarm
- New Alarm

This information is also available for customer use through a set of contacts on a separate terminal board.

Alarm messages that activate the System Summary Alarm are listed in **Table 6** and **Table 7**.

The Remote Monitor Panel housing is a NEMA Type 1 enclosure, available for either surface-mount or flush-mount installations.

Separate / Simultaneous Outputs

The RS-232 interface can support a modem plus either a local terminal or a local monitor. The SiteScan port can support either SiteScan or SNMP communications. Whatever communication options are installed in the Series 610 UPS can all be used simultaneously.

Table 11 Series 610 terminal commands

Key(s)	Function
A, return AN (N=1 to 6), return	Displays Present Status Report screen. NOTE: For all three report screens, a numeral 1 through 6 in place of N will access an individual UPS module. If no numeral is entered, you will get a report from the SCC.
^B (control-B), return ^BN (N=1 to 6) return	Displays Event History Report screen, starting with the most recent frame and then scrolling back through earlier frames.
C, return ^CN (N=1 to 6), return	Displays History Status Report screen starting with the most recent frame and then scrolling back through the earlier frames.
F (no return)	Freezes data output. This stops the data scrolling on the monitor to allow closer study or a printout. This is a toggle switch command. Press the F key again to resume data scrolling.
G, return	Resets (unfreezes and clears) the History Status Report memory buffer. This erases the alarm messages and meter indications that were stored immediately before and after a significant system fault. NOTE: Do not reset the History Status Report memory buffer until operation and maintenance personnel have reviewed it as a troubleshooting tool.
Q (no return)	The data output stops (quits). The UPS communication system remains on stand-by, ready to receive the next communication command. NOTE: To return to the beginning of the Event History or History Status Report, press Q , then request your desired report again.
d mm/dd/yy, return	This entry sets the date (month/day/year) in the UPS system clock. You must include the slash (/) as you key in the date. Note that the d command must be lower case.
t hh:mm:ss, return	This entry sets the time (hour:minute:second) in the UPS system clock. You must include the colon (:) as you key in the time. Note that the t command must be lower case.
H, return	Prompts the UPS system to hang up its modem (only applicable to the modem communications port).
I, return	Display Battery Cycle Monitor information for 0-30 second discharge events.
J, return	Display Battery Cycle Monitor information for 31-90 second discharge events.
K, return	Display Battery Cycle Monitor information for 91-240 second discharge events.
L, return	Display Battery Cycle Monitor information for over 240 second discharge events.
M, return	Display Status Summary screen of battery discharge events.
N, return	Show detail information on all battery discharge events in order of occurrence (last in, first out).
backspace	Moves cursor left to cancel previous entry or command.

3.3 Modes of Operation

This section illustrates the flow of power through circuit breakers, switches and UPS components during various modes of operation. An SCCT with three modules is shown. The same modes of operation apply to all configurations of the Liebert Series 610 UPS multi-module system. Highlighted (thick) lines in the diagrams indicate power flow and power availability.

These illustrations show a three-breaker maintenance bypass because it is commonly used. Your installation may have a two-breaker, three-breaker or four-breaker maintenance bypass or none at all.

These illustrations do not show an alternate power source (generator) and automatic transfer switch (external to the UPS) that might be present at your installation.

Table 12 below lists abbreviations for circuit breakers used in this manual.

Table 12 Circuit breaker abbreviations

Abbreviation	Circuit Breaker
BFB	Bypass Feeder Breaker
BIB	Bypass Input Breaker
CB1	Module Input Breaker
CB2	Module Output Breaker
MBB	Maintenance Bypass Breaker
MBD	Module Battery Disconnect
MIB	Maintenance Isolation Breaker
RIB	Rectifier Input Breaker
SBB	System Bypass Breaker

3.3.1 Load on Bypass

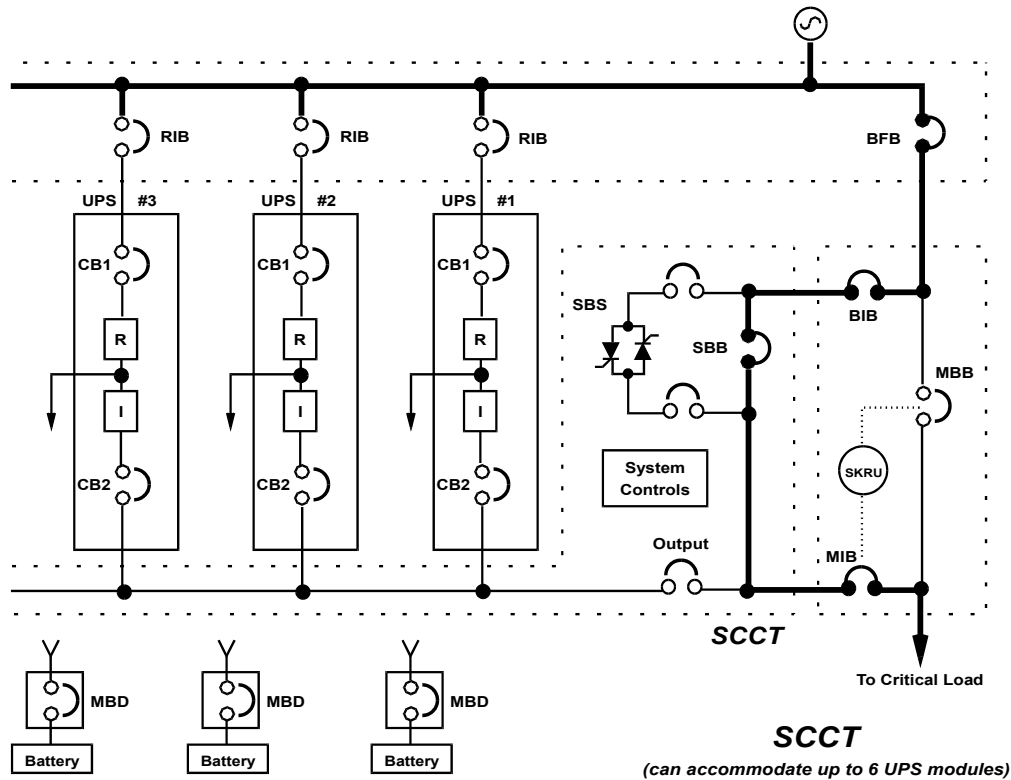
Load on Bypass, with the UPS not available, is shown in **Figure 52**. The UPS system could be in this mode of operation during either initial start-up or UPS system shutdown and isolation for maintenance.



NOTE

When the critical load is being supplied power from the bypass line, it is exposed to utility power disturbances.

Figure 52 Load on bypass, UPS not available



3.3.2 OK to Transfer

The OK to Transfer status message will be displayed when the bypass line and UPS system output power are both available, their voltage, frequency and phase synchronization are matched within specifications and the Static Switch Disconnects are closed (ON). An alarm message may be displayed to indicate Load On Bypass. If no alarm is displayed, the operating status is Load On UPS.

When the OK to Transfer message is displayed, you can perform a manual transfer of the load from the UPS system to bypass or a manual retransfer of the load from bypass to the UPS system.

Use the Load Transfer Procedures screen at the SCC when performing a manual transfer. Refer to **3.4.3 - Load Transfer Procedures**.

The UPS system control logic at the SCC will initiate an automatic transfer to bypass if an overload condition exceeds the system current versus time window or if a UPS module is taken off line while the system is operating in the non-redundant mode. An automatic retransfer to the UPS system may be initiated when recovering from system overloads lasting less than five minutes. Refer to **3.5 - Automatic Operations**.



NOTE

When the critical load is being supplied power from the bypass line, it is exposed to utility power disturbances.

Figure 53 Load on bypass, UPS available

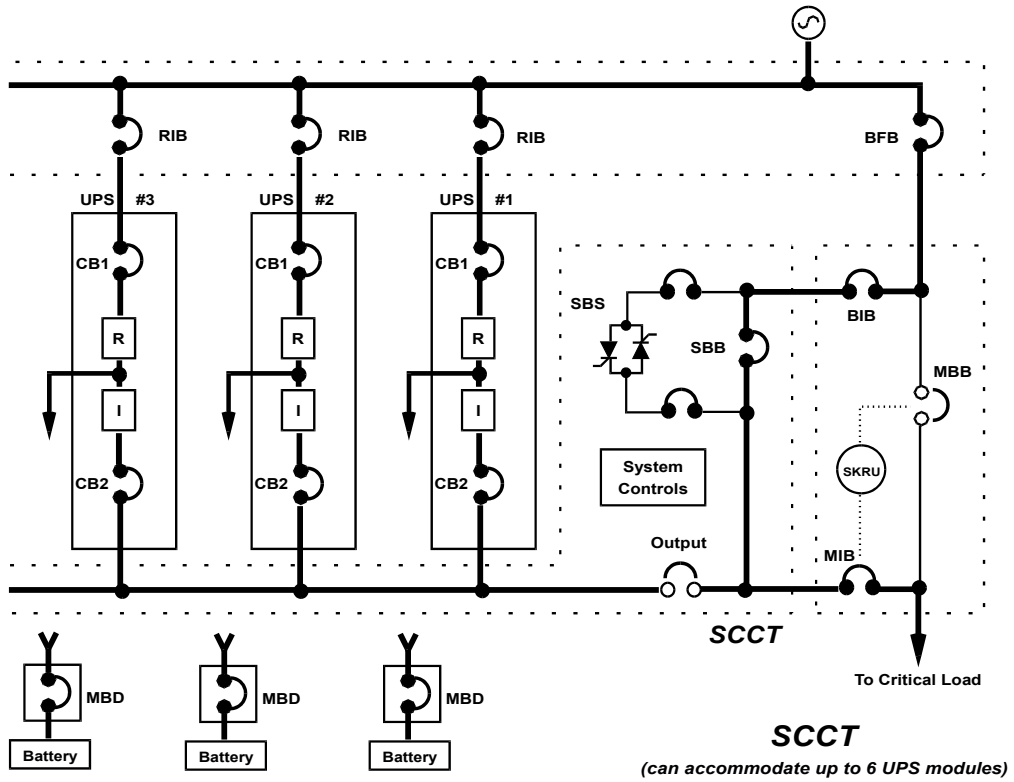
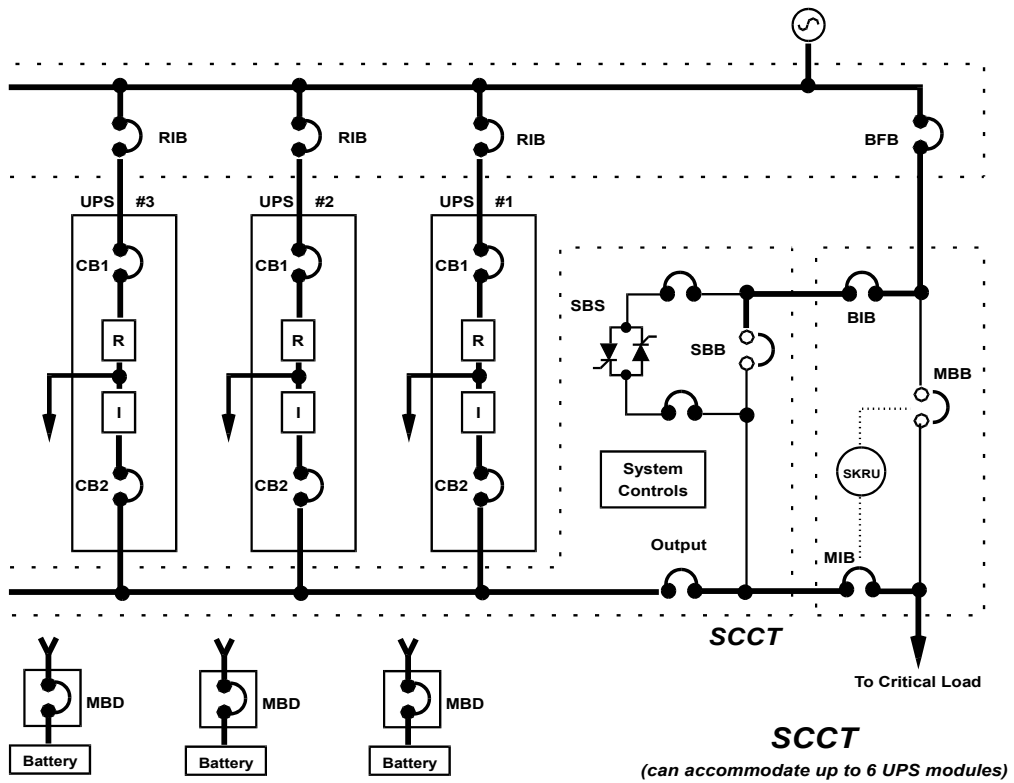


Figure 54 Load on UPS, bypass available



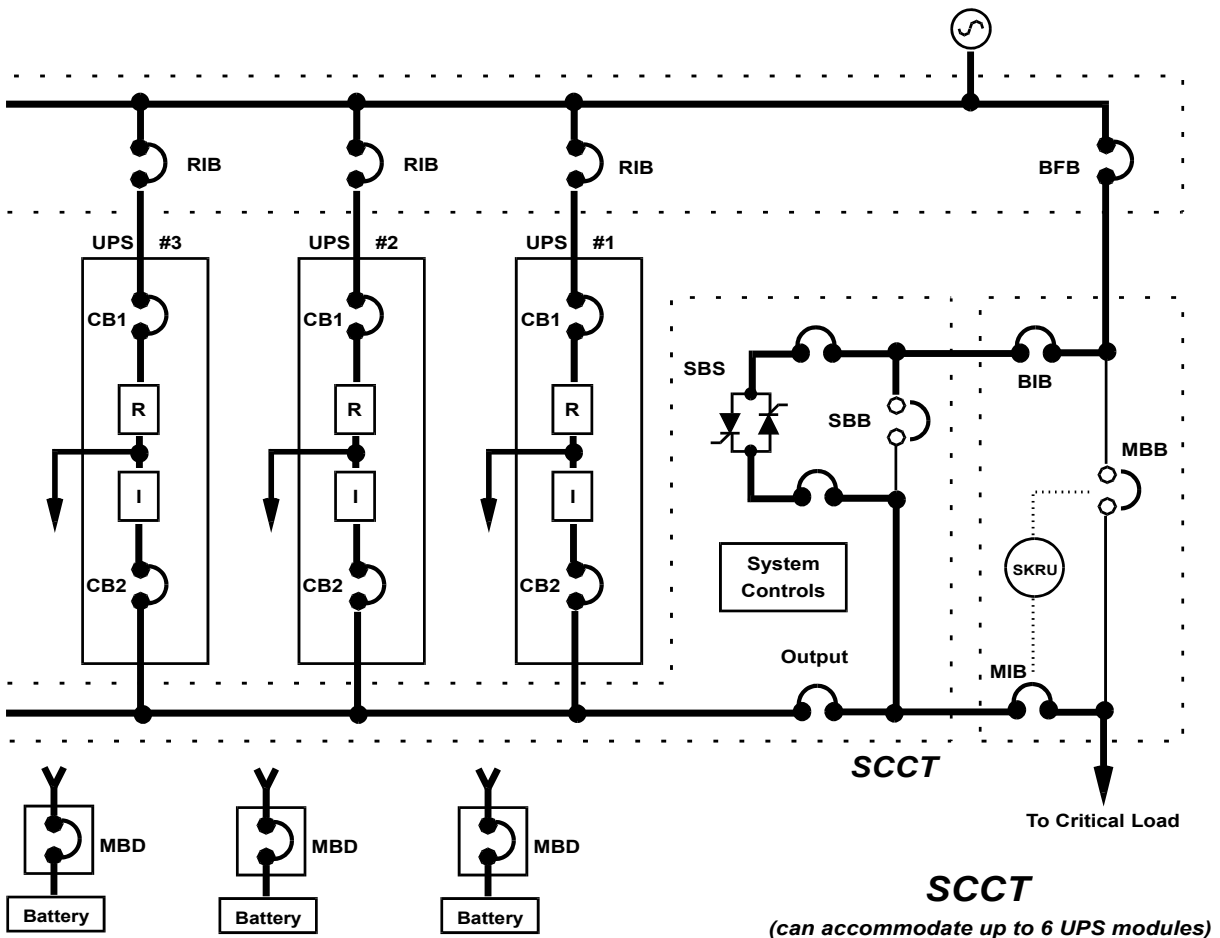
3.3.3 Momentary Overloads

An overload in the critical load will continue to be supplied by the UPS system if the overload condition does not exceed the current versus time curve of overload capacity for either the SCC rating or for the number of modules on-line.

For momentary overloads exceeding 155% of rated system (SCC) current, the static switch turns on for 40 milliseconds to provide current from the bypass line in parallel with current from the UPS system output. Up to 1000% of rated current can be supplied for less than one cycle, while up to 500% of rated load can be sustained for the full 40 milliseconds of pulsed-parallel operation. By providing two power sources simultaneously, high current can be supplied to the critical load with full output voltage regulation. The critical load can be supported through inrush currents and momentary faults without operating the motorized circuit breakers. Pulse paralleling also serves, under some circumstances, as a backup in the event that an external bypass feeder breaker (e.g., BFB) trips open during this pulse-paralleling period, retaining the UPS inverter connection with the critical load.

If an overload condition exceeds 40 milliseconds, the UPS system continues to supply power to the critical load if it remains within the current-versus-time curve of overload capacity. If the system overload capacity is exceeded, the UPS control logic at the SCC initiates an automatic transfer to the bypass line by operating the static bypass switch and the motorized system circuit breakers (SBB and UPS Output). Refer to **3.5 - Automatic Operations**.

Figure 55 Momentary overload, pulsed static bypass switch



3.3.4 Input Power Failure—Load on Battery

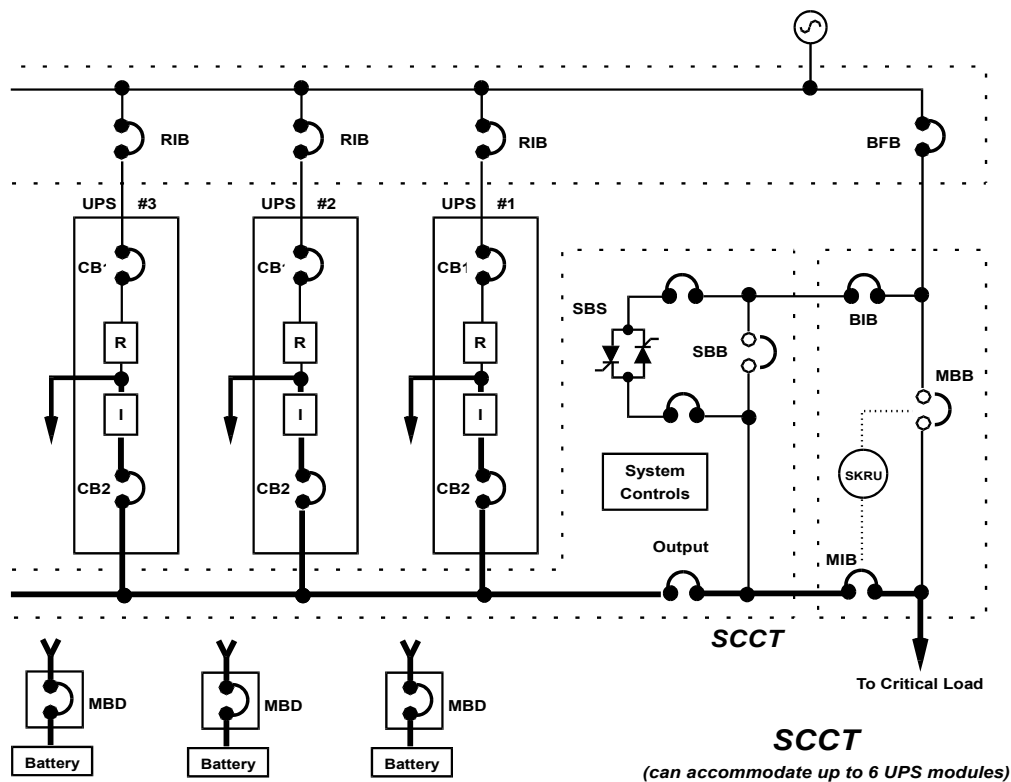
If the utility AC power source fails or is outside the acceptable range, the battery plant becomes the power source for the UPS module inverters. The UPS system continues to supply power to the critical load and also to the controls of the UPS modules and the SCC.

You can use the Battery Time screen at the UPS modules to monitor the present battery voltage compared to the shutdown value. The length of time the battery can sustain the load depends on the size of the load and the size and condition of the battery plant. The battery plant is usually large enough to supply a 100% rated load for 15 minutes.

Alarm messages that indicate battery status are Battery Discharge, Low Battery and Battery Shutdown. The voltage limits for these alarms are displayed on the UPS module Alarm Limit Settings screen. These limits were selected for your installation by Liebert Global Services during initial start-up.

The battery block in the UPS module Monitor/Mimic Display indicates Charge or Discharge and the current in Amperes. Maximum battery discharge current ranges from 326 amps (for 150kVA) to 1620 amps (for 750kVA). Refer to the separate Installation Manual or drawings for specific data on your system.

Figure 56 Input power fail—load on battery

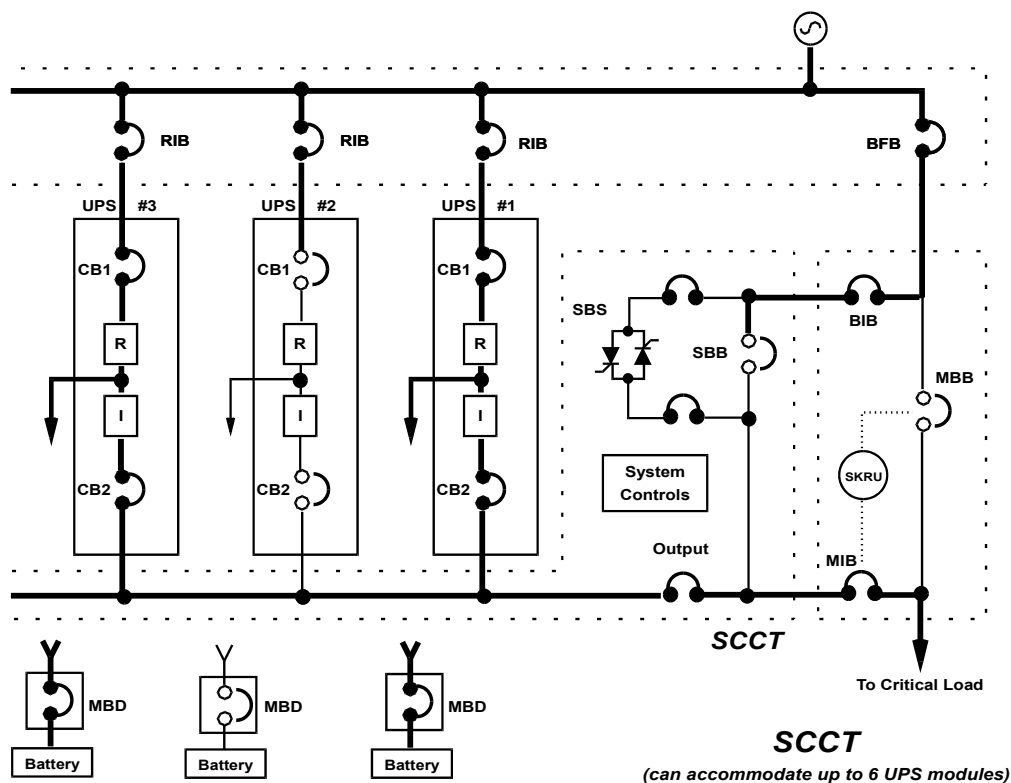


3.3.5 One Module Off-Line

A multi-module UPS system can be supplied with a back-up (redundant) UPS module, which is the typical configuration. A redundant system includes one more module than the number required to supply the critical load. A redundant system operates in the redundant mode if all modules are **ON LINE**. Note that the UPS system can also operate in the redundant mode with one module **OFF LINE** if the critical load is reduced so that not all **ON LINE** modules are required. The UPS modules share the load and the critical load will remain on the UPS system if any one of the modules is disconnected (goes **OFF LINE**) for maintenance or because of an internal fault.

The system control logic monitors the connected critical load and the number of UPS modules **ON LINE**. If the UPS system is operating in the redundant mode, the **REDUNDANT** status message will be displayed at the System Control Cabinet (SCC). If the UPS system is operating in the non-redundant mode (redundant module is **OFF LINE** or was not included in the system configuration), the **NON-REDUNDANT** status message is displayed at the SCC. In the Non-Redundant mode, the critical load will be transferred to bypass if any UPS module goes **OFF LINE** and you must transfer the load to bypass in order to perform maintenance on any UPS module.

Figure 57 One module off-line, load on UPS



3.3.6 Off Battery

The battery plant can be disconnected from the UPS modules, if required for battery maintenance, by opening the module battery disconnect (MBD) circuit breaker(s). In this situation the UPS system will continue to supply conditioned power to the critical load, but if input power fails the UPS system **cannot** supply power to the load.

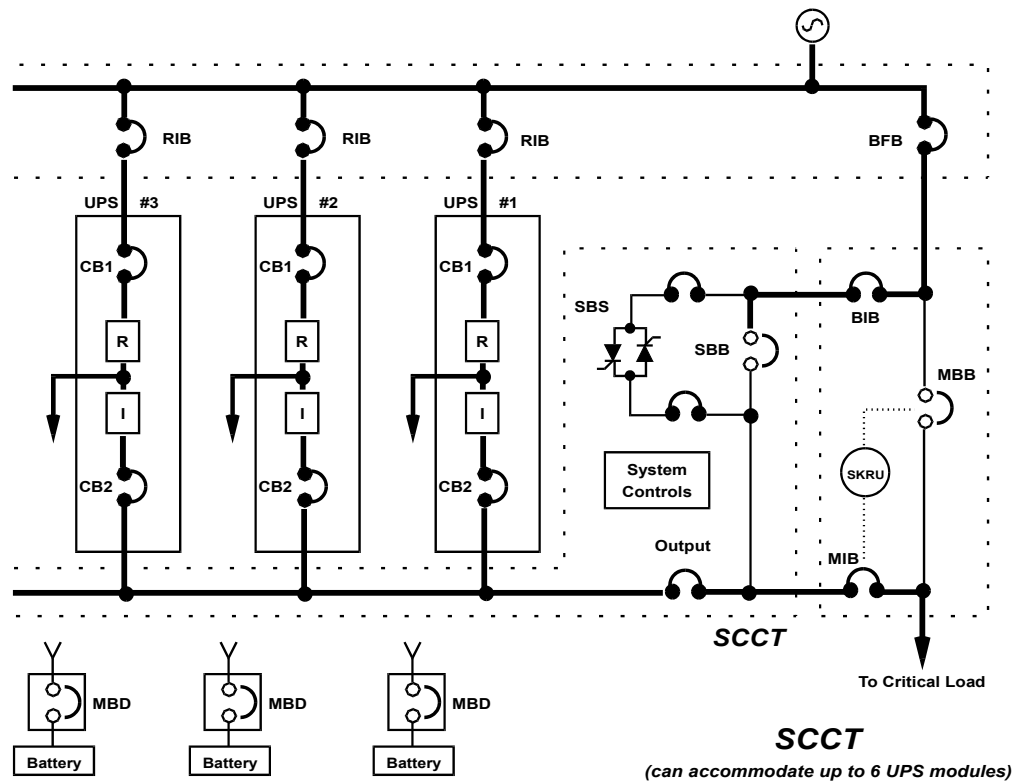


CAUTION

When the UPS system is operating with the module battery disconnect (MBD) circuit breaker(s) open, the critical load is not protected from loss of the utility source power.

For battery maintenance on multi-module systems, Liebert recommends taking the module requiring maintenance off-line before beginning the work. This precaution will minimize disturbances on the system bus if input power fails during the maintenance work.

Figure 58 Load on UPS—battery not available



3.3.7 Emergency Modules Off

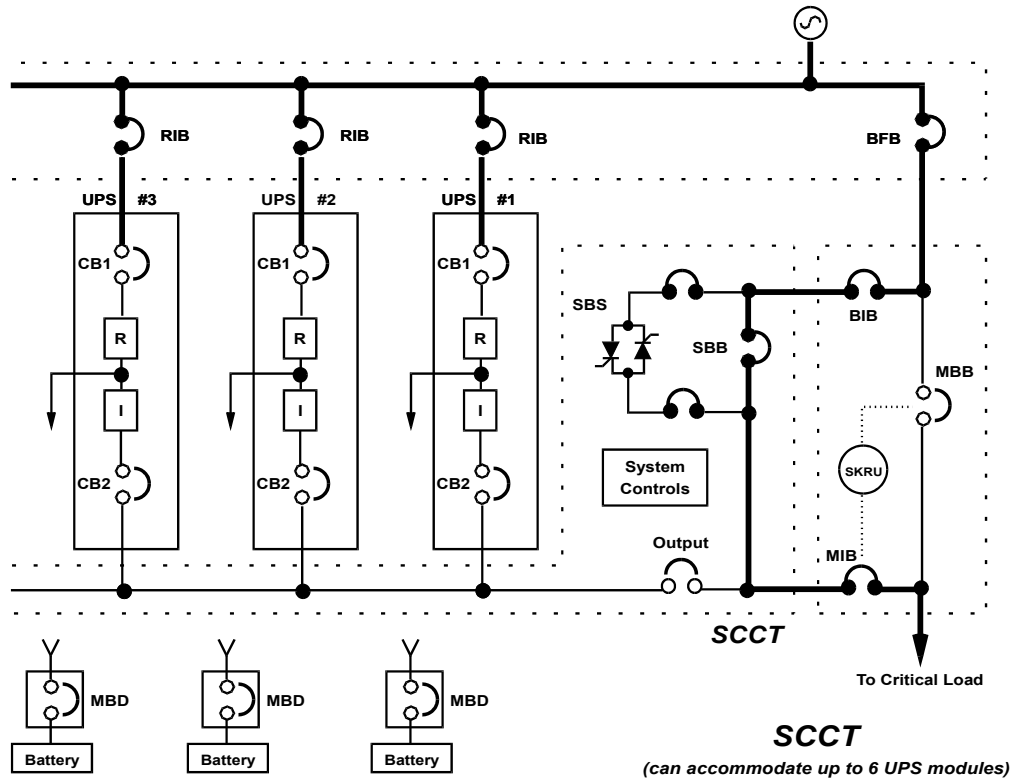
The Local Emergency Modules Off (LEMO) mode is used to remove power from all UPS system components and the critical load will continue to be supplied through the bypass line.

The **Emergency Module Off** control is a guarded pad on the SCC Control Panel (see **Figure 10**).

Lift the cover and press the pad. The load will be transferred to bypass and the battery (MBD), input and output circuit breakers will be opened (tripped). This will remove power from all UPS system components except the controls, system bypass circuit breaker and the static switch.

Refer to 3.4.5 - Shutdown Procedures.

Figure 59 Emergency modules off



3.3.8 Remote Emergency Power Off

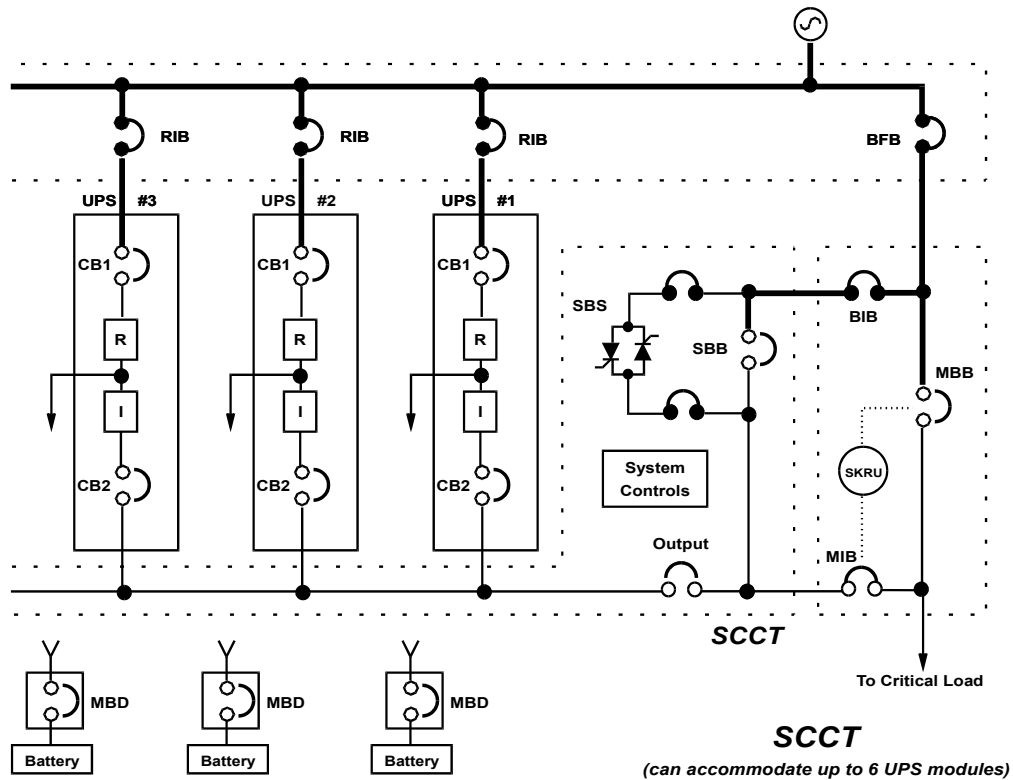
The Remote Emergency Power Off (REPO) mode is used to remove all power from the critical load.

The Remote Emergency Power Off control is a switch located remotely from the UPS system. It will normally be in the same room as the critical load equipment. This mode can also be initiated by an automatic contact closure in the same external circuit as the manually operated switch.

When you operate the Remote Emergency Power Off switch, all UPS circuit breakers are opened, including the bypass circuit breaker. All power through the UPS is removed from the load. Typically, the REPO circuit also opens the circuit breakers that provide power to the bypass lines and the UPS controls.

Refer to 3.4.5 - Shutdown Procedures.

Figure 60 Emergency power off



3.3.9 System Shutdown

Perform a System Shutdown procedure when you must disconnect the UPS system components from all power sources when required for maintenance procedures.

Use the Shutdown Procedures screen when performing a manual System Shutdown.

Refer to 3.4.5 - Shutdown Procedures.

Refer to 3.3.10 - Maintenance Bypass.

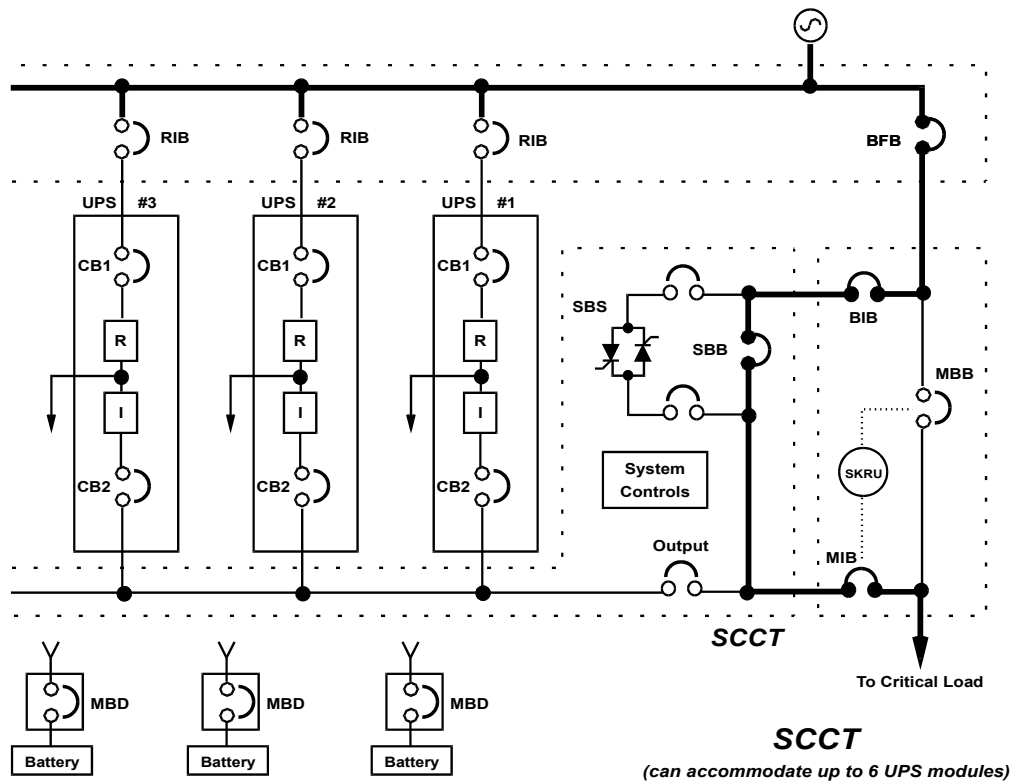
Before performing any maintenance on your Liebert Series 610 UPS System, observe **ALL** of the **WARNINGS** in 4.0 - Maintenance.



WARNING

Lethal voltages are present within this system even when it is not on or when power is not being supplied. Observe all cautions and warnings in this manual. Failure to do so could result in serious injury or death. Do not work on or operate this equipment unless you are fully qualified to do so! Never work alone.

Figure 61 System shutdown



3.3.10 Maintenance Bypass

Maintenance Bypass switchgear (cabinet, panelboard, switchboard or custom switchgear) allows you to totally isolate the UPS system from all power sources, while you maintain power to the critical load.

Your installation may have a two-breaker, three-breaker or four-breaker maintenance bypass or none at all. The main differences are the locations of the Rectifier Input Breaker and the Bypass Input Breaker (BIB).

Another option that may be present at your site is an alternate power source (generator) and an automatic transfer switch (ATS).

Note that to totally isolate the UPS system from all power sources, the Main Input switchgear and battery circuit breakers must also be opened



CAUTION

Instructions for operating the Maintenance Bypass circuit breakers are on the Maintenance Bypass cabinet. Make sure you understand the proper sequence before operating any circuit breaker. Operating a Maintenance Bypass circuit breaker out of sequence could cut off power to the critical load.

Figure 62 Load on maintenance bypass, two breakers

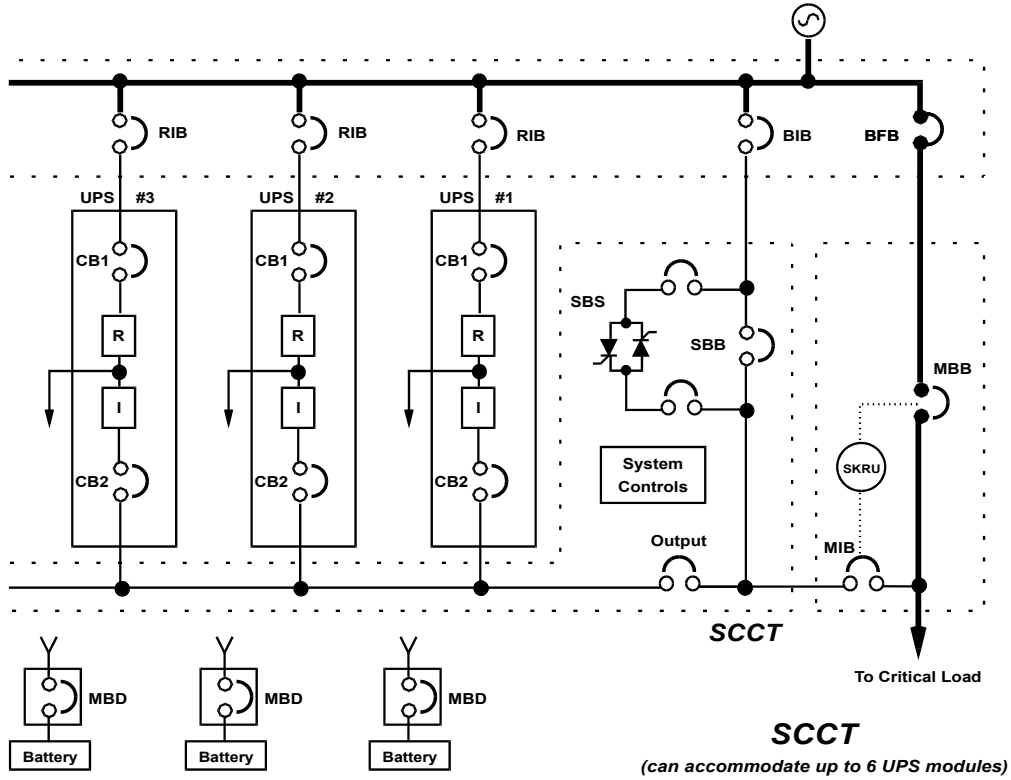
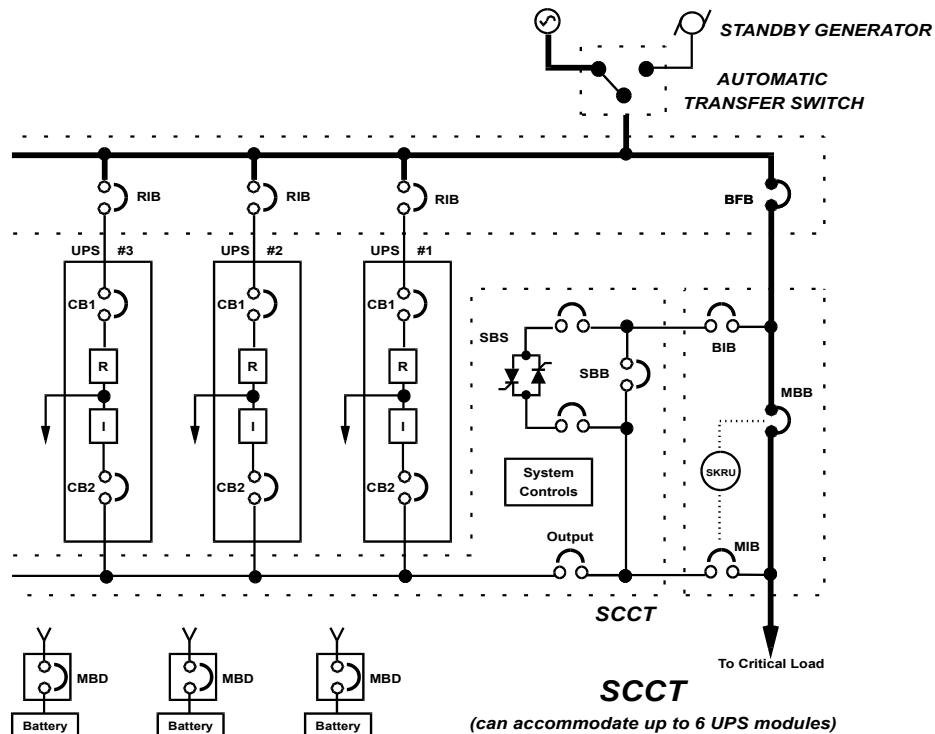


Figure 63 Load on maintenance bypass, three breakers



3.4 Manual Procedures

The Liebert Series 610 UPS system is designed to function while unattended by an operator. The system control logic at the System Control Cabinet (SCC) monitors the performance of the UPS system, the availability of power sources and the current required by the critical load.

The system control logic at the SCC:

1. Determines what overload conditions can be sustained without a transfer to bypass.
2. Initiates an automatic transfer to bypass to sustain an overload.
3. Can initiate an automatic retransfer to the UPS after a system overload has been cleared.
4. Initiates an automatic transfer to bypass and emergency module shutdown when a specified UPS fault occurs.

The control logic at each UPS module:

1. Determines what overload conditions can be sustained by the module while it is on-line.
2. Automatically takes the UPS module off line and initiates an emergency module shutdown when selected UPS faults occur.

Refer to **3.5 - Automatic Operations** for more details.

Manual procedures available to the operator include Start-Up, Load Transfers and Shutdowns. These procedures are performed by using the operator control panel and some manually operated circuit breakers and switches.

The LCD at each UPS cabinet includes a screen to help you with each manual procedure by listing each step you must perform.

This section lists step-by-step controls to operate and conditions to observe in the following manual procedures:

1. **Start-Up:** including initial start-up, recovering from input power failure, recovering from battery shutdown and recovering from shutdowns for emergencies or maintenance procedures.
2. **Load Transfers:** including transfers from UPS system to bypass and retransfers from bypass to the UPS system.
3. **Shutdowns:** including module shutdowns for maintenance procedures and emergency shutdowns.

3.4.1 SCC Start-Up Procedure

When the UPS system has been shut down for any reason, use this procedure to start-up the UPS system to provide filtered, reliable power to the critical load. This procedure gives step-by-step instructions for controls to operate and conditions to observe. Your present situation could be initial start-up or recovering from input power failure, battery shutdown, maintenance shutdown or an emergency shutdown.



NOTE

The following procedure assumes that the UPS installation inspection and initial start-up have been performed by Liebert Global Services. A Liebert-authorized representative must perform the initial system start-up to ensure proper system operation.



CAUTION

The following procedure provides power to the critical load distribution system. Verify that the critical load distribution is ready to accept power. Make sure that personnel and equipment are ready for the critical load distribution system to be energized.

If your installation includes a Maintenance Bypass, you may already be supplying power to the critical load equipment through the Maintenance Bypass. If there is no power to the critical load, apply power through the UPS bypass line per the following procedure.

During a start-up procedure, power is supplied to the critical load through the UPS (internal) bypass line while the UPS system is being energized. Depending on the reason for your UPS system shutdown, you may already have power through the bypass line. You can determine this by observing the Monitor/Mimic Display screen at the System Control Cabinet (SCC) after Control Power is available.

Step 1. Before you apply power to the UPS modules, determine the position of the following circuit breakers and switches:

- a. **Bypass Input Breaker (BIB)** - If this circuit breaker is closed, you may already have power to the critical load through the bypass line. If this breaker is closed, leave it closed. If it is open, leave it open until you are ready to energize the bypass line.
- b. **System Bypass Circuit Breaker (SBB)** - This motorized circuit breaker (**Figure 9**) should be closed unless you are recovering from a Remote Emergency Power Off. You may already be supplying power to the critical load through this breaker. If this breaker is open, you will be instructed to reset it later in this procedure.
- c. **UPS Output Circuit Breaker** - This motorized circuit breaker (see **Figure 9**) should be open.
- d. **Static Switch Disconnect** - This manually operated disconnect (see **Figure 9**) will be in the ON (closed) position unless you are recovering from a shutdown. If the disconnect is OFF (open), you will be instructed to reset it and turn it on later in this procedure.



NOTE

Depending on SCC model, the static switch disconnects can be one or two circuit breakers or two contactors. The location could be at the front, right or rear of the cabinet. Refer to the drawing of the SCC cabinet selected for your UPS system.



NOTE

*If the system was shut down in response to an “Emergency Off, there may be alarm messages on the LCD screen that describe system conditions before (or at the time of) the shutdown. Some or all of the alarm conditions may have already been resolved. To clear these alarm messages, turn off the control power (see **Figure 8** and **Figure 9**). Wait at least 10 minutes for the control power circuitry to completely de-energize. After 10 minutes, turn control power back on and wait two minutes before continuing.*

- e. **Control Power** - The fuses for the SCC control power (labeled F7 through F10, located below the SCC control boards in **Figure 9**) should be ON (pushed in) unless you are recovering from a maintenance shutdown. If control power is OFF (fuseholders pulled open), leave it OFF until you are ready to apply power to the UPS controls.



CAUTION

If you are recovering from a UPS system shutdown for maintenance procedures, verify that all of the SCC doors are closed and latched. All test equipment must be removed from the system. All electrical connections must be secure.

Power must be provided to the UPS controls so the operator can use the LCD and so the system logic can perform its control functions. Note that you can use the LCD to monitor UPS system status, even when the UPS modules are not operating.

During a start-up procedure, power is supplied to the critical load through the UPS (internal) bypass line while the UPS modules are being energized. Depending on the reason for your UPS system shutdown, you may already have power through the bypass line. You can determine this by observing the Monitor/Mimic Display screen at the System Control Cabinet (SCC).

Step 2. If the bypass line is not supplied to the SCC, the LCD screen will be blank. Energize the bypass line by operating the following controls:

- a. Close the Bypass Input Breaker (BIB). This breaker may be in your Maintenance Bypass cabinet.



NOTE

Wait two minutes after applying bypass power before you operate any other UPS controls.



CAUTION

DO NOT assume that the UPS System Bypass Breaker (SBB) is closed.

Instructions for operating the Maintenance Bypass circuit breakers are on the Maintenance Bypass cabinet.

Make sure you understand the proper sequence before operating any circuit breaker.

Operating a Maintenance Bypass circuit breaker out of sequence could cut off power to the critical load.

Operations involving MIB and MBB MUST only be done when the UPS system is on internal bypass.

- b. Ensure the SCC Control Power Disconnect is ON. Open the door to the SCC control section and locate the fuseblock F7 through F10 (see **Figure 9**). If they are not connected already, push the fuseholders in to turn ON control power, then reclose the SCC control door.
- c. Observe the Monitor/Mimic Display screen to determine if your System Bypass circuit breaker (SBB) is closed and whether the UPS Bypass line is supplying power to the critical load.

If your System Bypass circuit breaker is open (as in recovering from an Emergency Power Off or Low Battery Shutdown), close this circuit breaker as follows:

1. Open the SCC control panel door and find the Transfer Relay Board (**Figure 11**). If the red LED (CR18) labeled **TOT S/D** (Total Shutdown) is on, press the **Bypass Reset** switch (SW1) on this board. The red LED should turn off.
2. Set the **Static Switch Disconnects** (**Figure 9**) OFF (open), if not off already.



NOTE

Depending on SCC model, the static switch disconnects can be one or two circuit breakers or two contactors. The location could be at the front, right or rear of the cabinet. Refer to the drawing of the SCC cabinet selected for your UPS system.

3. Find the **Close Bypass** switch (SW1) on the System Interface Board (**Figure 11, Item 3**). Press this switch to reset the System Bypass circuit breaker. Check the Monitor/Mimic screen to verify the breaker is closed.
- d. If currently OFF, close the Static Switch Disconnects.



NOTE

Depending on SCC model, the static switch disconnects can be one or two circuit breakers or two contactors. The location could be at the front, right or rear of the cabinet. Refer to the drawing of the SCC cabinet selected for your UPS system.

4. Press two **Reset Switches** for **Static Switch Disconnects** behind door below SCC control panel (see **Figure 9**). Note that in an SCCT less than 1600A, there is no Reset Switch for the Static Switch Disconnect, so this step is not necessary.
5. Set the **Static Switch Disconnects** to ON (closed).

- e. If the UPS Bypass line is available, but not yet supplying power to the load, close the circuit breakers (external to the UPS) required to provide power to the critical load equipment. Follow the three steps shown below.



CAUTION

Be sure to operate Maintenance Bypass circuit breakers in the proper sequence.

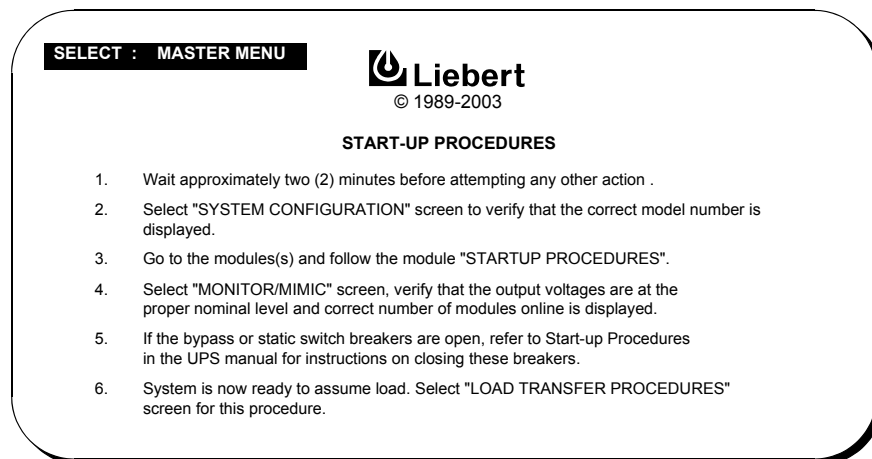
1. Verify the Bypass Input Breaker (BIB) and System Bypass circuit breakers are closed.
2. Close the Maintenance Isolation Breaker (MIB).
3. Open the Maintenance Bypass Breaker (MBB).

Observe the Monitor/Mimic Display screen to confirm that the UPS Bypass line is energized and supplying power to the critical load equipment.

At the System Control Cabinet (SCC), press the **Select** pad to put the Master Menu on the LCD. Move the highlighted cursor to Start-Up Procedures (use the **Up** and **Down** pads). Press the **Select** pad to display the Start-Up Procedures screen. Return to this screen whenever you need to see the start-up instructions.

Perform a module start-up procedure at each module in your UPS system until all required modules are on-line. Refer to **3.4.2 - UPS Module Start-Up** for instructions. After the module start-up is complete, return to the SCC (see **3.4.3 - Load Transfer Procedures**) to complete your UPS system start-up.

Figure 64 SCC start-up procedures screen



3.4.2 UPS Module Start-Up

When a UPS module has been shut down for any reason, use this procedure to start-up the UPS module to provide filtered, reliable power to the critical bus. This procedure gives step-by-step instructions for controls to operate and conditions to observe. Your present situation could be initial start-up or recovering from input power failure, battery shutdown, maintenance shutdown or an emergency shutdown.

Perform this module start-up procedure at each module in your UPS system until all required modules are on-line.

Step 1. Before you apply power to the UPS module, determine the position of the following circuit breakers and switches:

- a. **Rectifier Input Breaker (RIB)** - If this external circuit breaker is closed, you already have power to the UPS cabinet and possibly power to the controls. If this breaker is closed, leave it closed. If it is open, leave it open until you are ready to apply power to the UPS cabinet.
- b. **Input Circuit Breaker (CB1)** - Verify that this breaker on the front of the UPS module cabinet (**Figure 8**) is in the OFF position.
- c. **Module Battery Disconnect (MBD)** - Verify that this external breaker is open or tripped.
- d. **Module Output Circuit Breaker (CB2)** - Verify that this breaker on the front of the UPS module cabinet (**Figure 8**) is in the OFF position.
- e. **Control Power** - The fuses labeled Control Disconnect should be ON (pushed in) unless you are recovering from a maintenance shutdown. If control power is OFF (fuseholders pulled open), leave it OFF until you are ready to apply power to the UPS controls.

Power must be provided to the UPS module controls so you can use the LCD and so the system logic can perform its control functions. Note that you can use the LCD to monitor UPS status, even when the UPS module is not on-line. If the LCD is operating, you already have Control Power. This will be the usual condition, unless you are recovering from a maintenance shutdown.

Step 2. If the LCD is not operating, energize Control Power by operating the following two controls:

- a. Close the Rectifier Input Breaker (RIB), which is outside the UPS cabinet. This will provide power to the UPS cabinet but not to any UPS components.
- b. Open the UPS cabinet door and close the Control Disconnect fuseholders to turn the Control Power ON. See **Figure 8**. Close the UPS cabinet door.



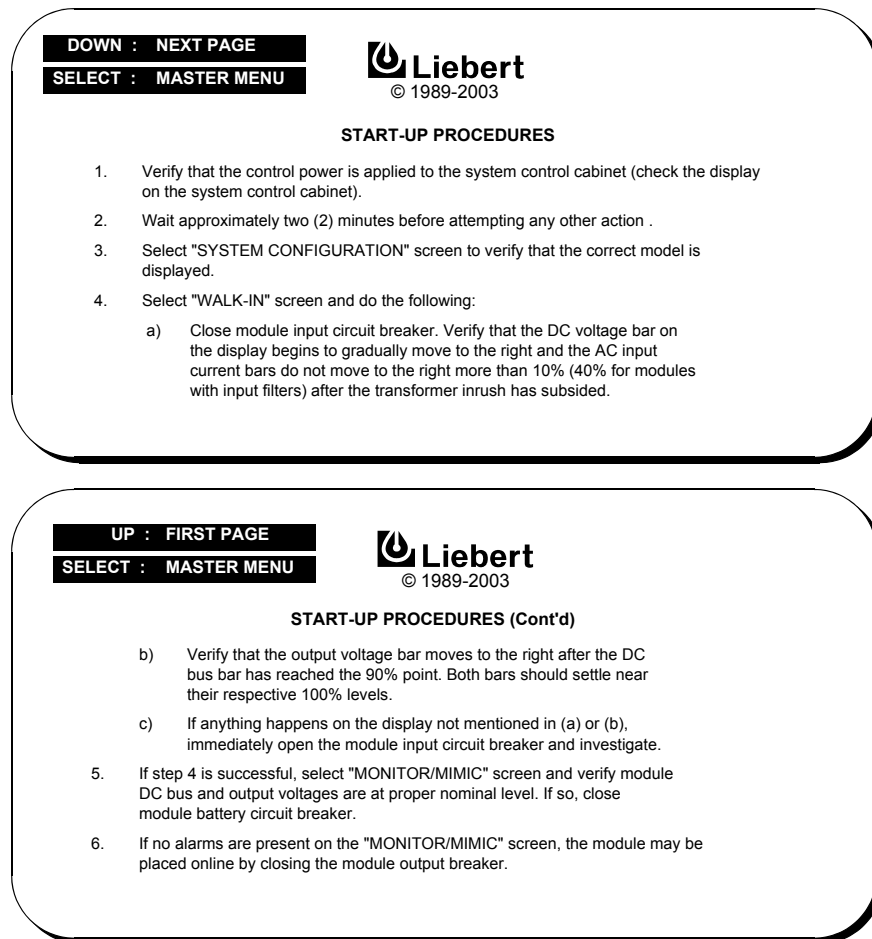
NOTE

Wait 2 minutes after applying control power before operating any other UPS module controls.

Press the **Select** pad on the UPS module to put the Master Menu on the LCD. Move the highlighted cursor to Start-Up Procedures (use the **Up** and **Down** pads). Press the **Select** pad to display the Start-Up Procedures screen. Return to this screen whenever you need to see the start-up instructions.

Select the Monitor/Mimic Display on the LCD. In the ALARM MESSAGES block (see **Figure 15**), the only alarm present should be Battery CB Open. If any other alarm messages are present, do not proceed with the module start-up. Contact Liebert Global Services (LGS) for assistance.

Figure 65 Module start-up procedures screen



Select the **Walk-In** screen on the LCD.

Step 3. To energize the UPS module, manually close the input circuit breaker (CB1, **Figure 8**). This will provide power to the rectifier. Use the Walk-In screen to monitor the Module DC Bus voltage.



WARNING

If any abnormal situation occurs during this walk-in procedure, open the input circuit breaker and investigate the problem. Each input amps bar should be within 25% of the average bar length. Call Liebert Global Services if you need help.

The Input Amps bars should settle at 25% or less after the momentary inrush current has subsided.

Verify that the DC Voltage bar begins to gradually move to the right.

Verify that the Output Voltage bar moves to the right after the DC Voltage bar has reached the 90% level. Both bars should settle near the 100% line.

Select the **Monitor/Mimic** display from the Master Menu and confirm that the module DC bus and AC output are at their proper operating voltages.

Step 4. When the Module DC Bus voltage is at 100%, you can manually close the module battery disconnect (MBD) circuit breaker (external to the UPS).

The Battery block in the Monitor/Mimic Display indicates the battery voltage and charge current.

**NOTE**

The battery charge current may increase quickly, but then should slowly decrease. If you are recovering from a battery shutdown or an input power failure, the UPS rectifier will be recharging the battery. Recharge current can be more than 100 Amps. The maximum allowable recharge current for your unit will depend on the kVA rating and your factory-set battery recharge current limit.

**CAUTION**

Do not use equalize charging with valve-regulated, sealed-cell batteries. Refer to the battery manufacturer's manual, available on the manufacturer's Web site, for specific information about equalize charging.

Use the Monitor/Mimic Display screen to determine the condition of the UPS module. Press the **Alarm Reset** pad to clear the Alarm Messages. Refer to **Table 9** for an explanation of any remaining alarm messages. Call Liebert Global Services if you cannot clear the remaining alarm messages.

If no alarm messages are displayed, the UPS module is now ready to provide filtered, uninterruptible power to the critical bus. Manually close the module output circuit breaker (CB2, **Figure 8**) to place this UPS module on-line.

When all required UPS modules are on-line, return to the SCC (see **3.4.3 - Load Transfer Procedures**) to complete your UPS system start-up.

3.4.3 Load Transfer Procedures

Use the Monitor/Mimic Display at the SCC to determine the operating condition of the UPS system. Press the **Alarm Reset** pad to clear the Alarm Messages. If all UPS modules are on-line, the only message remaining should be Load On Bypass. Refer to **Table 9** for an explanation of any other remaining alarm messages. Call Liebert Global Services if you cannot clear any remaining alarm messages.

If the only alarm message displayed is Load On Bypass (or no alarms), you can perform a manual transfer of the load between the UPS system and the UPS bypass line. Changing the load from the UPS system to the UPS bypass is called a **transfer**. Changing the load from UPS bypass to the UPS system is called a **retransfer**. Note that the UPS system control logic can initiate automatic load transfers and retransfers. Refer to **3.5 - Automatic Operations**.

Press the **Select** pad to display the Master Menu on the LCD of the SCC. Move the highlighted cursor to Load Transfer Procedures (using the **Up** and **Down** pads). Press the **Select** pad to display the Load Transfer Procedures screen.

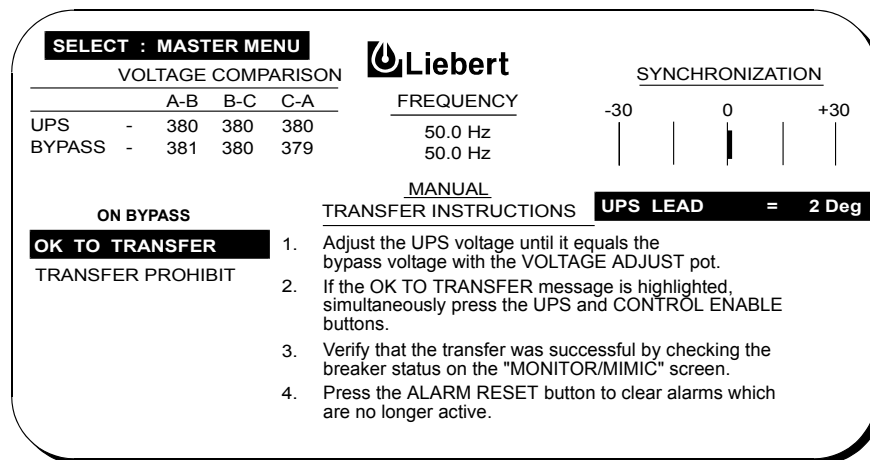
Step 1. Verify that the **OK TO TRANSFER** message is highlighted. If not (if the **TRANSFER PROHIBIT** message is highlighted instead), slowly rotate the **Voltage Adjust** knob (**Figure 10**, item 6) to match the UPS system voltage to the bypass voltage.



NOTE

1. *UPS output voltage changes VERY slowly in response to movements of the Voltage Adjust knob. To avoid overshooting, allow at least a minute for UPS output voltage to stabilize before proceeding to the next step.*
2. *If the TRANSFER PROHIBIT message remains, refer to **Table 9** for corrective action for any alarm messages. Call Liebert Global Services if you cannot solve the problem.*

Figure 66 Load transfer procedures screen



Step 2. Perform Step 2 on the Load Transfer Procedures Screen.

- a. **If the load is on internal bypass**, simultaneously press the **UPS** and **Control Enable** pads (**Figure 10**). This will close the motorized UPS Output circuit breaker and open the motorized System Bypass circuit breaker (SBB) in a make-before-break sequence.
- b. **If the load is on the UPS system**, simultaneously press the **Bypass** and **Control Enable** pads (**Figure 10**). This will close the motorized System Bypass circuit breaker (SBB) and open the motorized UPS Output circuit breaker in a make-before-break sequence.

Return to the Monitor/Mimic Display screen to monitor the operation of the UPS system. Press the **Alarm Reset** pad to clear any latched alarm messages removed by the new load status. Refer to **Table 9** if an alarm message other than Load On Bypass is still displayed. Contact Liebert Global Services if you require assistance.

3.4.4 Maintenance Bypass Load Transfers

To manually transfer the load between Maintenance Bypass and the UPS system bypass line, carefully follow these instructions. Do not transfer the load between Maintenance Bypass and the UPS system (module inverters) output. Use the SCC Monitor/Mimic Display screen to verify the UPS system bypass line is available.



CAUTION

Make sure you understand the proper sequence before operating any circuit breaker. Operating a Maintenance Bypass circuit breaker out of sequence could cut off power to the critical load.



CAUTION

The UPS system (SCC) must be on internal bypass before performing the following procedures and operating MIB or MBB or damage to the UPS may occur and the critical load may be lost.

If the load is on the UPS System Bypass:

- a. If the maintenance bypass cabinet or switchboard has an optional 2-key interlock system, press the button on the maintenance bypass cabinet to remove the key from the solenoid.



NOTE

If the maintenance bypass cabinet or switchboard has any other type of custom interlock, follow the specific instructions for that interlock system to remove the key.

- b. If using a key interlock system, insert the key into the lock for the Maintenance Bypass Breaker (MBB) to enable it to be closed.
- c. Close the Maintenance Bypass Breaker (MBB).
- d. Verify closure of the MBB. Then open the Maintenance Isolation Breaker (MIB). **The UPS system is now isolated from the critical load and the load is now on Maintenance Bypass.**
- e. If using a key interlock system, remove the key from the lock for the Maintenance Isolation Breaker (MIB) to lock it open.
- f. If the maintenance bypass cabinet or switchboard has an optional 2-key interlock system, replace the key into the solenoid.
- g. If UPS bypass shutdown is required, open the Bypass Input Breaker (BIB).

If the load is on Maintenance Bypass:

- a. Close the Bypass Input Breaker (BIB) or verify BIB is closed. Note that UPS System Bypass circuit breaker (motorized) must also be closed. Refer to **3.4.1 - SCC Start-Up Procedure**.
- b. If the maintenance bypass cabinet or switchboard has an optional 2-key interlock system, press the button on the maintenance bypass cabinet to remove the key from the solenoid.



NOTE

If the maintenance bypass cabinet or switchboard has any other type of custom interlock, follow the specific instructions for that interlock system to remove the key.

- c. If using a key interlock system, insert the key into the lock for the Maintenance Isolation Breaker (MIB) to enable it to be closed.
- d. Close the Maintenance Isolation Breaker (MIB).
- e. Verify closure of the MIB. Then open the Maintenance Bypass Breaker (MBB). **Load is now on UPS Internal Bypass.**
- f. If using a key interlock system, remove the key from the lock for the Maintenance Bypass Breaker (MBB) to lock it open.
- g. If the maintenance bypass cabinet or switchboard has an optional 2-key interlock system, replace the key into the solenoid.

3.4.5 Shutdown Procedures

System Shutdown Procedure

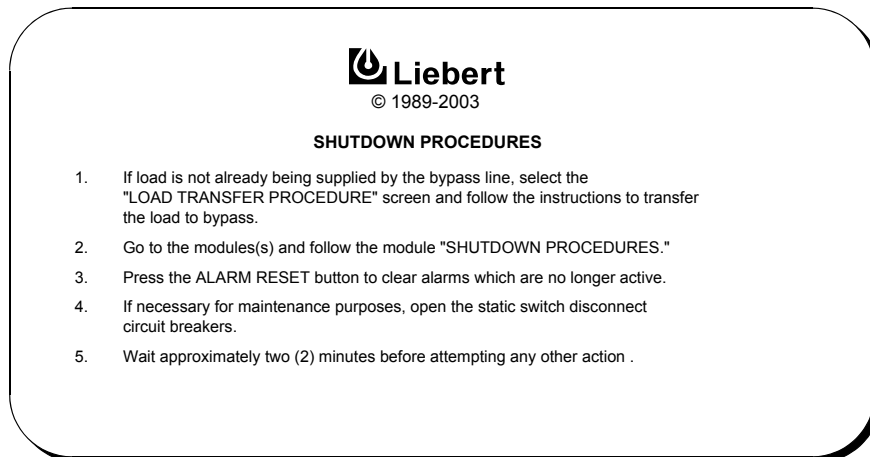
Perform a System Shutdown Procedure when you want to remove power from the UPS system and System Control Cabinet (SCC) when required for maintenance or if you need to perform maintenance on a UPS module in a non-redundant system.

Before performing any maintenance on your Liebert Series 610 UPS, observe **ALL** of the **WARNINGS** in **4.0 - Maintenance**.

Use the SCC Monitor/Mimic Display to determine the operating condition of the UPS system.

From the SCC Master Menu, select the Shutdown Procedures screen.

Figure 67 SCC shutdown procedures screen



Step 1. If the UPS system is supplying power to the load (Load On UPS), select the Load Transfer Procedures screen at the SCC and perform a manual transfer to the bypass line (Load On Bypass), see **3.4.3 - Load Transfer Procedures**. This will open the motorized UPS Output circuit breaker (see **Figure 9**) and close the motorized System Bypass circuit breaker (SBB, **Figure 9**).

Step 2. If maintenance is required on the Static Bypass Switch, set the **Static Switch Disconnects** to OFF (open). Refer to **Figure 9**.



NOTE

Depending on SCC model, the static switch disconnects can be two circuit breakers, contactors or plug-in connections on a drawout carriage assembly. The location could be at the front, right or rear of the cabinet. Refer to the drawing of the SCC cabinet selected for your UPS system.



CAUTION

The UPS bypass line is still energized.

Step 3. If maintenance is required in the area of the SCC controls or the motorized system circuit breakers (UPS Output and SBB), transfer the load to the Maintenance Bypass, if available (see **3.4.4 - Maintenance Bypass Load Transfers**).



CAUTION

If your installation does not include a Maintenance Bypass, power must still be isolated from both sides of the UPS circuit breakers if maintenance is required. This will result in loss of power to the critical load. Perform an orderly load shutdown before isolating power.



WARNING

Lethal voltages are present within this unit even when it is not on or when utility is not being supplied. Observe all cautions and warnings in this manual. Failure to do so could result in serious injury or death. Do not work on or operate this equipment unless you are fully qualified to do so! Never work alone.

Before performing any maintenance on your Liebert Series 610 UPS, observe **ALL** of the **WARNINGS** in **4.0 - Maintenance**.

Module Shutdown Procedure

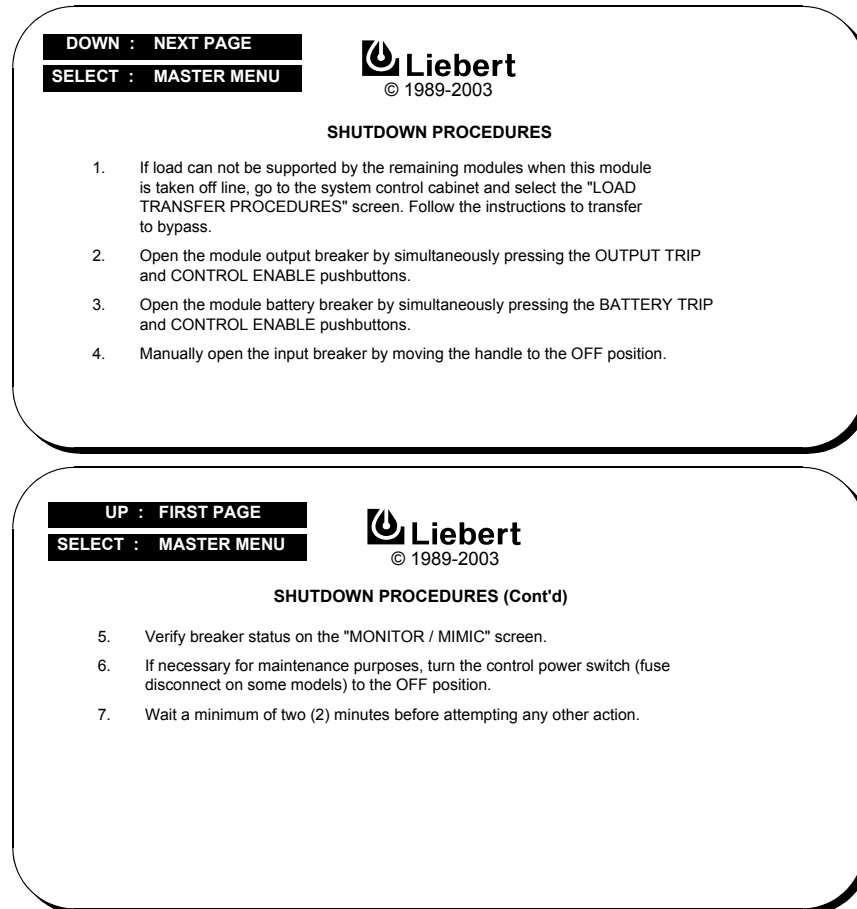
Perform a Module Shutdown Procedure when you want to remove power from a UPS module when required for maintenance.

Before performing any maintenance on your Liebert Series 610 UPS, observe **ALL** of the **WARNINGS** in **4.0 - Maintenance**.

Use the module Monitor/Mimic Display to determine the operating condition of the UPS module.

From the module Master Menu, select the Shutdown Procedures screen. Note that this is a two-page screen.

Figure 68 Module shutdown procedures screen



Step 1. If the UPS module is on-line, simultaneously press the **Output Trip** and **Control Enable** pads (**Figure 10**). This will open the UPS module output circuit breaker (CB2, **Figure 8**).

Step 2. Open the module battery disconnect (MBD) circuit breaker by simultaneously pressing the **Battery Trip** and **Control Enable** pads (**Figure 10**).

Step 3. Open the UPS input circuit breaker by moving the handle to the OFF position (**Figure 8**).

Return to the Monitor/Mimic Display to verify status of the circuit breakers. Press the **Alarm Reset** pad to clear alarm messages.

Step 4. If maintenance is required on the UPS controls, turn the **Control Power** switch to the OFF position (**Figure 8**). You may also want to open the Rectifier Input Breaker (RIB), external to the UPS cabinet.



WARNING

Lethal voltages are present within this unit even when it is not on or when utility is not being supplied. Observe all cautions and warnings in this manual. Failure to do so could result in serious injury or death. Do not work on or operate this equipment unless you are fully qualified to do so! Never work alone.

Before performing any maintenance on your Liebert Series 610 UPS, observe **ALL** of the **WARNINGS** in **4.0 - Maintenance**.

Local Emergency Modules Off (LEMO)

The UPS controls at the SCC include an **Emergency Module Off** pad (Figure 10, item 12). When this guarded pad is pressed, the **load is automatically transferred to the bypass line** and the module output, battery and input circuit breakers trip open to isolate and shut down all the UPS modules. Control Power for indicators and alarms remains On.

Remote Emergency Power Off (REPO)

The Remote Emergency Power Off control (REPO) is a switch located remotely from the UPS system. It will normally be in the same room as the critical load equipment.

The Remote Emergency Power Off switch removes all power to the critical load.

When you trip the Remote Emergency Power Off switch, all UPS circuit breakers are opened, **including the System Bypass circuit breaker (SBB)**. All power through the UPS is removed from the load. You will still have power to the UPS controls, and you may have power to the static switch.

3.5 Automatic Operations

The Liebert Series 610 UPS system is designed to function while unattended by an operator. The system control logic monitors the performance of the UPS, the availability of power sources and the current required by the critical load.

The system control logic at the SCC:

- Determines what overload conditions can be sustained without a transfer to bypass.
- Initiates an automatic transfer to bypass to sustain an overload.
- Can initiate an automatic retransfer to the UPS after a system overload has been cleared.
- Initiates an automatic transfer to bypass and emergency module shutdown when a specified UPS fault occurs.

The control logic at each UPS module:

- Determines what overload conditions can be sustained by the module while it is on-line.
- Automatically takes the UPS module off line and initiates an emergency module shutdown when selected UPS faults occur.

3.5.1 Overloads (Without Transfer)

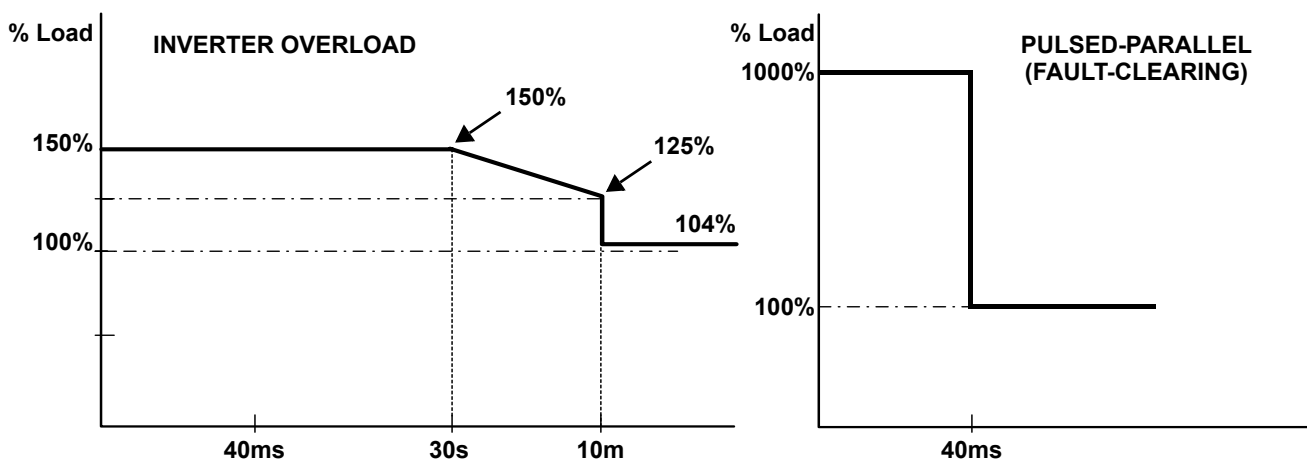
The UPS system is capable of sustaining full output voltage ($\pm 2\%$ of the nominal voltage) for overload conditions that remain within (under) the current versus time curve of system overload capacity and the capacity of modules on-line (**Figure 69**). Note that the time scale is not linear. Load On UPS is illustrated in **Figure 54**.

For high current demands of short duration (momentary overloads) the critical load is supplied simultaneously by both the UPS system and the bypass line. Whenever the critical load requires more than 155% of the capacity of the modules on-line, the bypass line will supply up to 1000% rated system current through the solid state static switch for 40 milliseconds. Refer to **3.3.3 - Momentary Overloads**.

Whenever an overload condition occurs, you should determine the cause of the overload.

If an overload condition exceeds the UPS system overload capacity or the capacity of the modules on-line, the UPS system initiates an automatic load transfer to the bypass line.

Figure 69 Current-versus-time curves of module overload capacity



3.5.2 Automatic Transfers to Bypass

The UPS system will initiate an automatic load transfer to the bypass line if an overload condition exceeds the current-versus-time curve of system overload capacity or capacity of the modules on-line or if specified UPS system faults occur. Note that when the UPS system is operating in the non-redundant mode, an automatic transfer to bypass will be initiated when any UPS module is taken off line, either automatically or manually. Load On Bypass is illustrated in **Figure 53**.

The Overload Transfer and Output Undervoltage alarm messages will initiate an automatic transfer to bypass and the Load On Bypass message will be displayed. The status report screens will include the Automatic Transfer to Bypass message. Other UPS system faults will initiate an automatic transfer to bypass followed immediately by the shutdown and isolation of the UPS modules. Refer to **3.5.5 - Automatic Emergency Modules Off**.

In an automatic transfer to bypass the UPS Output and System Bypass circuit breakers do not overlap as they do in a manual transfer. The static bypass switch is fired (closed), the UPS Output circuit breaker is opened and the System Bypass circuit breaker is closed.

Bypass power is supplied to the critical load through the static bypass switch during the short time while both circuit breakers are open.



NOTE

A load transfer to the bypass line will be completed whenever an automatic transfer to bypass is initiated. If the OK to Transfer condition is present, the load transfer will be uninterrupted. If the Static Switch Unable alarm message is present for any reason, the automatic transfer will be interrupted for 40 to 120 milliseconds. Because of the reliability of the UPS components, an interrupted load transfer is a very unlikely occurrence.

3.5.3 Automatic Retransfers to UPS

Automatic Retransfer to UPS is an option that you can select from the SCC System Configuration screen. If you do not want the UPS system to initiate any automatic retransfers, set Max Auto-Rexfer Attempts to zero (0).

In an automatic retransfer, the two motorized circuit breakers (System Bypass and UPS Output) are both closed simultaneously for a short period of time (overlap).

The following critical bus conditions must be present to initiate an automatic retransfer of the critical load from the bypass source to the UPS system:

1. The number of Auto-Rexfer Attempts selected must be greater than zero (0). If zero (0) is selected, no automatic retransfers will occur.
2. Critical load was initially transferred to the bypass source due to a **system overload only**. (A manually initiated retransfer from bypass is required if the critical load exceeded the capacity of the modules on-line or if a UPS fault occurred.)
3. Overload has since dropped below 100% of the rated SCC current.
4. Enough UPS modules are on-line to supply the critical load.
5. OK to Transfer signal received from the control logic for at least 10 seconds, within 5 minutes of the system overload transfer. (A manually initiated retransfer from bypass is required for overloads lasting 5 minutes or more.)
6. Cyclic-type overloads, which occur up to five (select range is 0 to 5) times in 60 minutes, are automatically returned to the UPS system for each event including the Nth overload. A manually initiated retransfer from bypass is required for the N + 1 overload.

3.5.4 Automatic Module Off-Line

For specified UPS module faults, the control logic will initiate an automatic isolation and shutdown of the UPS module. In the Module Off-Line mode the output, battery (MBD) and input circuit breakers are open. If the UPS system was operating in the redundant mode when the module was taken off-line, the critical load will remain on the UPS system. If the UPS system was operating in the non-redundant mode, an automatic transfer to bypass will be initiated. Note that the bypass line is usually not available during Low Battery Shutdown. One Module Off-Line is illustrated in **Figure 57**.

The following UPS module faults will initiate an automatic Module Off-Line:

- DC Overvoltage Shutdown
- Hardware Shutdown
- Inverter Fault
- Low-Battery Shutdown
- Overload Shutdown
- Overtemperature Timeout
- Rectifier Fuse Blown
- Reverse Power

Refer to **Table 9** for more information regarding these alarm messages.

3.5.5 Automatic Emergency Modules Off

For the specified UPS system fault, the control logic will initiate an automatic transfer to bypass followed immediately by a shutdown and isolation of the UPS system. In the Emergency Modules Off mode the output, battery (MBD) and input circuit breakers at each UPS module are open. The System Bypass Breaker (SBB) will be closed **if the bypass line is available**. Emergency Modules Off is illustrated in **Figure 59**.

The following UPS system fault will initiate an automatic Emergency Modules Off: Output Over Voltage

Refer to **Table 9** for more information regarding alarm messages.



NOTE

A load transfer to the bypass line will be completed whenever an automatic transfer to bypass is initiated and the bypass line is available. If the OK to Transfer condition is present, the load transfer will be uninterrupted. If the Static Switch Unable alarm message is present for any reason, the automatic transfer will be interrupted for 40 to 120 milliseconds. Because of the reliability of the UPS components, an interrupted load transfer is a very unlikely occurrence.

Your installation may include a Remote Emergency Power Off mode that can be initiated automatically by a contact closure in the critical load equipment. Refer to **3.3.8 - Remote Emergency Power Off**.

4.0 MAINTENANCE

4.1 Safety Precautions

Observe the safety precautions in **Important Safety Instructions on page 1** and in **1.3 - Safety Precautions**.

ONLY qualified service personnel should perform maintenance on the UPS system.

Observe **ALL** of the **WARNINGS** below before performing **ANY** maintenance on the UPS System and associated equipment. Also observe the manufacturer's safety precautions pertaining to the battery, along with the battery safety precautions in this section.



CAUTION

Always identify connecting wiring prior to disconnecting any wiring.

Do not substitute parts except as authorized by Liebert Corporation.

Maintain the UPS cabinets free of foreign materials such as solder, wire cuttings, etc.

Contact Liebert Global Services if you are not sure of the procedures to follow or if you are not familiar with the circuitry.



WARNING

Extreme caution is required when performing maintenance.

Be constantly aware that the UPS system contains high DC as well as AC voltages. With input power off and the battery disconnected, high voltage at filter capacitors and power circuits should be discharged within 30 seconds. However, if a power circuit failure has occurred, you should assume that high voltage may still exist after shutdown. Check with a voltmeter before making contact.

AC voltage will remain on the bypass and output circuit breakers and the static bypass switch, unless associated external circuit breakers are opened.

Check for voltage with both AC and DC voltmeters prior to making contact.

Be sure to read the battery manufacturer's manual before working on or near the battery. Battery terminals will constantly be energized, regardless of whether the UPS is operating or not.

When the UPS system is under power, both the operator and any test equipment must be isolated from direct contact with earth ground and the UPS chassis frame by using rubber mats.

Some components within the cabinets are not connected to chassis ground.

Any contact between floating circuits and the chassis is a lethal shock hazard. Use differential oscilloscopes when measuring a floating circuit. The differential input should have at least 800 vrms common mode input rating and a common mode rejection ratio of at least 80dB.

Exercise caution that the test instrument exterior does not make contact, either physically or electrically, with earth ground.

In case of fire involving electrical equipment, use only carbon dioxide fire extinguishers or others approved for use in fighting electrical fires.

4.2 Liebert Global Services

Start-up, UPS maintenance, battery maintenance and training programs are available for the Series 610 UPS through your Liebert sales representative.

Professional Start-Up

UPS Start-Up - Liebert's Customer Engineers perform a thorough non-powered inspection of the units and will then conduct a complete electrical checkout which includes calibrating all components to published specifications. The battery installation is also inspected and placed on an initialization charge to ensure cell equalization. Customer Operation training will be conducted during battery charge time.

Load Bank Testing and Full Site Acceptance Testing are additional services that can be performed during a UPS Start-Up. One Preventive Maintenance Service Call can be added to the initial UPS Start-Up Agreement.

Battery Installation/Start-Up - When purchased with a UPS Start-Up, this Agreement provides consistent, professional service for your entire UPS system. This one-source approach avoids conflicts that may occur during a multisource installation. Note that Liebert requires a mandatory installation inspection for all batteries not installed by Liebert Customer Engineers.

Battery IEEE Certification Inspection - The Battery Specialist will perform a detailed inspection of the entire battery system to ensure it meets current IEEE standards.

Maintenance Agreements: The Signature Program

UPS Service Agreements - Liebert Global Services (LGS) has a variety of available maintenance agreements, depending on specific site needs. Choose the level of support appropriate for each installation. Mission-critical sites can have the standard parts-and-labor, around-the-clock coverage for their UPS, with or without scheduled preventive maintenance visits. Other sites can benefit from a variety of money-saving options.

As a rule of thumb, Liebert recommends two preventive maintenance visits per year for the UPS. The first can be conducted with the UPS operational and includes an infrared scan of key UPS components. The annual visit will require taking the UPS off-line for a thorough nonpowered inspection. These visits are in addition to the general housekeeping tasks (changing air filters, etc.) that can be performed by customer personnel.

Battery Service Agreements - The same flexible Signature Program can also be applied to contracts for battery maintenance. Again, the coverage needed will depend on the type of battery purchased and the degree of support required from Liebert Global Services.

Training

Customer training courses include the proper operation of the system, emergency procedures, preventive maintenance and some corrective maintenance.

Warranties

Contact Liebert Global Services if you have any questions regarding the warranty on your Series 610 UPS or the batteries.

4.3 Routine Maintenance

You are encouraged to become thoroughly familiar with the equipment, but at no time should you go beyond the specific procedures in this manual while performing maintenance or correcting a malfunction. If you have any doubt as to what must be done, call Liebert Global Services at 1-800-LIEBERT for further instructions.

The UPS is designed for unattended operation, but does require some common sense maintenance.

- Keep good records.

Troubleshooting is easier if you have historical background.

- Keep it clean.

Maintain the UPS free of dust and any moisture.

- Keep it cool.

Battery systems must be kept in the range of 72-77°F (22-26°C) in order to meet design specifications for capacity and longevity.

The UPS will reliably meet all performance specifications at temperatures up to 104°F (40°C) and can be slightly derated for operation at even higher temperatures or higher altitudes. However, performance and longevity will be optimized when the UPS is operated at the same temperature as the batteries. Contact your local Liebert sales representative or call 1-800-LIEBERT for further details.

- Keep connections tight.

Tighten all connections at installation and at least annually thereafter. (See torque requirements, **Table 15**.)

- Periodically inspect external upstream and downstream circuit breakers to assure that the trip current settings are correct.
- Periodically inspect surroundings and ancillary equipment.

Become familiar with typical ambient conditions surrounding equipment so that abnormal conditions may be more quickly recognized. Know what typical meter readings are and where adjustable settings should be.

4.3.1 Record Log

Set up a maintenance log to record scheduled checks and any abnormal conditions.

The log should have space for all metered parameter indications including phase readings, alarm messages, UPS mode of operation, air filter replacement date and observation notes. A second log should be maintained for the battery module as directed by the battery manufacturer.

A periodic walk-through inspection of the UPS and battery rooms is advised to check for visible and audible indications of problems. Log the inspection, metered parameter indications and any discrepancies.

4.3.2 Air Filters

The air filters must be inspected and serviced on a regular schedule. The period between inspections will depend upon environmental conditions. Under normal conditions, the air filters will require cleaning or replacement approximately every two months.

All Series 610 models have replaceable filter elements built into the full-width grille across the front of the unit. This element can be changed from the front, with the UPS operating.

Series 610 models rated 300kVA and higher also have recyclable filters built into the front of their base assemblies. These metal filter elements can be removed, washed in water, dried and returned to service.



CAUTION

Be certain recyclable filter elements are dry before reinstalling them in the UPS.

Abnormal or dusty conditions will require more-frequent cleaning and replacement of air filters. Inspect installations in new buildings more often, then extend the inspection period as experience dictates.

4.3.3 Limited Life Components

Your Liebert UPS has a design life well in excess of 10 years. Well-maintained units can continue to provide economic benefits for 20 years or more. Long-life components are used in your UPS wherever practical and cost-effective. However, due to current component material and manufacturing technology limitations, a few components in your Liebert UPS will wear out and require replacement in less than 10 years.

The following limited-life components are utilized in your UPS system. To prevent a wear-out failure of one of these components affecting your critical load operations, Liebert recommends these components be periodically inspected and replaced before their expected wear-out life. Individual users may have site-specific requirements that differ from these typical life expectations.

Component	Expected Life	Replace in:
Power AC filter capacitors	> 7 years (~62,000 hours)	5 to 6 years
Power DC filter capacitors	> 7 years (~62,000 hours)	5 to 6 years
Low-profile fans	> 7 years (~62,000 hours)	5 to 6 years
Squirrel-cage blowers	10 years (~87,600 hours)	8 to 9 years
Air filters, disposable (see also 4.3.2 - Air Filters)	1 to 3 years	Check four times per year
Battery, lithium Logic memory backup	10 years (~87,600 hours)	8 to 9 years
Battery, storage		
Lead-acid wet-cell (user selection)	10 to 20 years	1 to 2 years prior to end-of-life
Valve-regulated lead-acid (VRLA)	5 years	3 to 4 years
	10 years	6 to 8 years

Power capacitors are considered “failed” when their measured capacitance is -5% below their name-plate rating. Typically, storage batteries are “worn out” when their full-load reserve time is -20% below rated. Site-specific battery plants may have different end-of-life requirements. Fans and blowers typically will stop rotating or rotate slower than expected.

In most cases, replacement components must exactly match the original component specifications and are not readily available from third-party component distributors. For assistance with your specific component specifications, replacement component selection and sourcing, call 1-800-LIEBERT.

For customers using Liebert Global Services (LGS) Preventive Maintenance Services, periodic inspection of these components is part of this service, as well as recommending replacement intervals to customers to avoid unanticipated interruptions in critical load operations.

4.4 Battery Maintenance



WARNING

These maintenance procedures will expose hazardous live parts. Refer servicing to qualified personnel.

DC fuses operate at the rated battery voltage at all times. A blown DC bus fuse indicates a serious problem. Serious injury or damage to the equipment can result if the fuse is replaced without knowing why it failed. Call Liebert Global Services for assistance.

4.4.1 Battery Safety Precautions

Servicing of batteries should be performed or supervised by personnel knowledgeable of batteries and the required precautions. Keep unauthorized personnel away from batteries.

When replacing batteries, use the same number and type of batteries.



WARNING

Lead-acid batteries contain hazardous materials. Batteries must be handled, transported and recycled or discarded in accordance with federal, state and local regulations. Because lead is a toxic substance, lead-acid batteries must be recycled rather than discarded.

Do not dispose of battery or batteries in a fire. The battery may explode.

Do not open or mutilate the battery or batteries. Released electrolyte is harmful to the skin and eyes. It is toxic.

A battery can present a risk of electrical shock and high short circuit current. The following precautions should be observed when working on batteries:

- Remove watches, rings and other metal objects.
- Use tools with insulated handles.
- Wear rubber gloves and boots.
- Do not lay tools or metal parts on top of batteries.
- Disconnect charging source prior to connecting or disconnecting battery terminals.
- Determine if battery is inadvertently grounded. If inadvertently grounded, remove source of ground. Contact with any part of a grounded battery can result in electrical shock. The likelihood of such shock will be reduced if such grounds are removed during installation and maintenance.

Lead-acid batteries can present a risk of fire because they generate hydrogen gas. In addition, the electrical connections must be protected against accidental short circuits which can cause sparks. The following procedures should be followed:

- DO NOT SMOKE when near batteries.
- DO NOT cause flame or spark in battery area.
- Discharge static electricity from body before touching batteries by first touching a grounded metal surface.
- After replacing battery jars in a battery cabinet, replace the retaining straps that hold the jars in place on the shelves. This will limit accidental movement of the jars and connectors should the cabinet ever need to be repositioned or relocated. Regular maintenance of the battery module is an absolute necessity. Periodic inspections of battery and terminal voltages, specific gravity and connection resistance should be made. Strictly follow the procedures outlined in the battery manufacturer's manual, available on the manufacturer's Web site.

Battery Safety Precautions In French Per CSA Requirements

Instructions Importantes Concernant La Sécurité

Conserver Ces Instructions



AVERTISSEMENT

Respecter toutes les consignes de sécurité applicables à l'installation, le chargement ou l'entretien des batteries. En plus du danger de chocs électriques, le gaz produit par les batteries peut exploser dégageant de l'acide sulfurique qui peut entraîner de très graves brûlures.

Toute opération d'entretien/réparation des batteries doit être exécutée ou supervisée par un personnel qualifié dans le domaine et en prenant toutes les précautions nécessaires. Tenir le personnel non autorisé à l'écart des batteries.



ATTENTION

Les batteries acide-plomb contiennent des substances toxiques dangereuses. Les batteries doivent être manipulées, transportées et recyclées ou jetées conformément à la réglementation en vigueur aux niveaux national et local. Le plomb étant toxique, les batteries acide-plomb doivent être recyclées et non jetées.

Ne pas ouvrir ni endommager la ou les batteries. Les électrolytes diffusés sont dangereux pour la peau et les yeux. Ils sont toxiques. Ne pas jeter la ou les batteries dans le feu. Risque d'explosion.

Ne jamais installer de batteries avec des cellules fissurées ou endommagées. Contacter Liebert Global Services ou le représentant agréé Liebert local.

Une batterie peut poser un risque de choc électrique et de courant élevé provoqué par un court-circuit. Respecter les précautions suivantes lors de travaux sur les batteries:

- Enlever montres, bagues ou autres objets métalliques.
- Utiliser des outils dont les poignées sont isolées.
- Porter des gants et des bottes en caoutchouc.
- Ne pas poser d'outils ou d'objets métalliques sur les batteries.
- Déconnecter la source de chargement avant de connecter ou de déconnecter les bornes de batterie.
- Vérifier que la batterie n'a pas été mise à la masse par inadvertance. Si elle est mise à la masse, éliminer la source de masse. Tout contact avec des composants de batterie mise à la masse peut entraîner un choc électrique. Éliminer le risque de chocs électriques potentiels en retirant les sources de masse avant l'installation et la maintenance.

Les batteries acide-plomb peuvent représenter un risque d'incendie puisqu'elles génèrent de l'hydrogène. Respecter les procédures suivantes:

- NE PAS FUMER près des batteries.
- NE PAS générer de flammes ou d'étincelles près des batteries.
- Éliminer l'électricité statique du corps avant de manipuler les batteries en touchant d'abord une surface métallique mise à la terre.

L'électrolyte est un acide sulfurique dilué qui est dangereux au contact de la peau et des yeux. Ce produit est corrosif et aussi conducteur électrique. Les procédures suivantes devront être observées:

- Porter toujours des vêtements protecteurs ainsi que des lunettes de protection pour les yeux.
- Si l'électrolyte entre en contact avec la peau, nettoyer immédiatement en rincant avec de l'eau.
- Si l'électrolyte entre en contact avec les yeux, arroser immédiatement et généreusement avec de l'eau. Demander pour de l'aide médicale.
- Lorsque l'électrolyte est renversée, la surface affectée devrait être nettoyée en utilisant un agent neutralisant adéquat. Une pratique courante est d'utiliser un mélange d'approximativement une livre (500 grammes) de bicarbonate de soude dans approximativement un gallon (4 litres) d'eau. Le mélange de bicarbonate de soude devra être ajouté jusqu'à ce qu'il n'y ait plus apparence de réaction (mousse). Le liquide résiduel devra être nettoyé à l'eau et la surface concernée devra être asséchée.

Regular maintenance of the battery module is an absolute necessity. Periodic inspections of battery and terminal voltages, specific gravity and connection resistance should be made. Strictly follow the procedures outlined in the battery manufacturer's manual, available on the manufacturer's Web site.

Valve-regulated lead-acid (sealed-cell) batteries do require periodic maintenance. Although maintenance of electrolyte levels is not required, visual inspections and checks of battery voltage and connection resistance should be made.

**NOTE**

Do not use cleaners on the batteries. Solvents can make the battery cases brittle. Use only a dry cloth or a cloth moistened in water.

Since individual battery characteristics are not identical and may change over time, the UPS module is equipped with circuitry to equalize battery cell voltages. This circuit increases charging voltage to maintain flooded type battery cells at full capacity.

**NOTE**

Do not use equalize charging with valve-regulated lead-acid batteries. Consult the battery manufacturer's manual, available on the manufacturer's Web site, for specific information about equalize charging.

The equalizing charge time period is adjustable from zero to 72 hours and can be initiated automatically or manually. Refer to **3.0 - Operation**.

Matching Battery Cabinets (Optional)

Although the individual battery cells are sealed (valve-regulated) and require only minimal maintenance, the Battery Cabinets should be given a periodic inspection and electrical check. Checks should be performed at least annually to ensure years of trouble-free service.

Voltage Records: With the Battery Cabinet DC circuit breaker closed and the connected UPS operating, measure and record battery float voltage. With the DC circuit breaker open, measure and record the nominal (open circuit) voltage. Both these measurements should be made across the final positive and negative terminal lugs. Compare these values with those shown below. The recorded nominal voltage should be no less than the value shown, while the recorded float voltage should be within the range shown. If a discrepancy is found, contact Liebert Global Services.

Number of Cells	Battery Voltage (VDC)	
	Nominal	Float
240	480	527 - 576

Power Connections: Check for corrosion and connection integrity. Visually inspect wiring for discolored or cracked insulation. Clean and/or retighten as required. Refer to torque specifications in **Table 15**.

Battery Cell Terminals: Check for discoloration, corrosion and connection integrity. Clean and tighten if necessary. Note that when installing a new battery, the initial torque value is 5 lb.-in. more than the retorque value. **Table 13** shows battery retorque values.

Table 13 Battery retorque values

Battery Manufacturer	Battery Model No.	Retorque Value
Dynasty	UPS12-270(FR)	32 lb-in.
	UPS12-310(FR)	52 lb-in.
	UPS12-370(FR)	52 lb-in.
	UPS12-475(FR)	100 lb-in.
C&D Batteries	LS12-100	100 lb-in.
	12G-17	100 lb-in.
Energys	HX205	60 lb-in.
	HX300	60 lb-in.
	HX370	60 lb-in.
	HX400	60 lb-in.
	HX500	60 lb-in.

If you have a different model battery, contact Liebert Global Services for the required torque value.

To access battery cell terminals, disconnect the inter-tier cable and two shelf retaining screws. Once disconnected, insulate (with protective boot or electrical tape) the cables to prevent accidental shorts. The battery shelf can now be pulled out. Tighten each terminal connection to the retorque value. When replacing a battery, the terminal connections must be cleaned and tightened. Disconnect and insulate the cables connected to the battery. Secure each battery shelf with retaining screws when maintenance is complete.

Rack-Mounted Batteries

If the UPS system uses a battery other than a factory-supplied Matching Battery Cabinet, perform maintenance on the battery as recommended in the battery manufacturer's maintenance manual, available on the manufacturer's Web site.

Table 14 Battery voltage record

Date	Float Voltage (Volts DC)	Nominal Voltage (Volts DC)	Ambient Temp. (°F)

(To be completed by Liebert Global Services customer engineer at time of start-up)

4.4.2 Torque Requirements

All electrical connections must be tight. **Table 15** provides the torque values for the connections in the UPS. Use these values unless the equipment is labeled otherwise.



NOTE

Refer to the battery manufacturer's manual, available on the manufacturer's Web site, for the proper torque values required for the battery.

Table 15 Torque specifications (unless otherwise labeled)

Nut And Bolt Combinations				
Bolt Shaft Size	Grade 2 Standard		Electrical Connections with Belleville Washers	
	Lb-in	N-m	Lb-in	N-m
1/4	53	6.0	46	5.2
5/16	107	12	60	6.8
3/8	192	22	95	11
1/2	428	48	256	29

Circuit Breakers with Compression Lugs (For Power Wiring)		
Current Rating	Lb-in	N-m
400 - 1200 Amps	300	34

Circuit Breakers with Compression Lugs (For Control Wiring)		
AWG Wire Size or Range	Lb-in	N-m
#22 - #14	3.5 to 5.3	0.4 to 0.6

4.5 Detection of Trouble

It is important that the operator check the instrument readings if abnormal equipment performance is suspected. Any metered value that differs appreciably from normal could mean an impending malfunction and should be investigated.

Items to check include:

- Output voltage of all phases should be within 2% of normal voltage. Output currents on each phase should not normally differ by more than 20%. If a greater difference is noted, the load is unbalanced and corrective action should be taken to redistribute the load, if possible.
- If the UPS has not operated on battery power during the last 10 hours, the batteries should require little charging current. Battery mimic should indicate normal DC voltage with the battery charge current no more than 31 Amperes.
- Input current on each phase should be within 10% of the average input current.
- Alarm messages indicate malfunction or impending malfunction. A daily check of the Operator Control Panel will help to provide an early detection of problems. Refer to **Table 9** and **Table 10** to interpret alarm messages.
- Tracing a problem to a particular section is facilitated by alarm messages and the metered parameter indications. These are stored in the Status Reports and can be displayed at the Operator Control Panel or at an optional terminal. A Liebert Global Services engineer will be familiar with test points inside the unit.



NOTE

If the UPS system has a blown fuse, determine the cause should be determined before replacing the fuse. Contact Liebert Global Services for assistance.

4.6 Reporting a Problem

If a problem occurs within the UPS, review all alarm messages along with other pertinent data. This information should be given by telephone to the Liebert service representative's office nearest you. This information can be downloaded to Liebert Global Services by using the optional modem. Contact Liebert Global Services at 1-800-LIEBERT to report a problem or to request assistance.

4.7 Corrective Actions

For each alarm message on the Operator Control Panel and the Remote Monitor Panel, you can find the recommended corrective action in **Table 9**.

4.8 Recommended Test Equipment

A list of recommended test equipment and tools required to maintain, troubleshoot and repair the UPS module is given in **Table 16**. You may substitute instruments of equivalent range and accuracy. All instruments should be calibrated and be within the current calibration cycle. Calibration data for the instruments should be maintained in equipment-history files and the instruments labeled for audit and verification.

Table 16 Recommended test equipment and tools

Qty	Test Equipment	Manufacturer	Model or Type
1	Oscilloscope	Tektronix, H-P or Fluke	DC to 50 MHz
2	Voltage Probes	Tektronix, H-P or Fluke	10X, with 10 ft. cable
2	Voltage Probes	Tektronix, H-P or Fluke	100X, with 10 ft. cable
1	Digital Multi-meter	Fluke	87, with test leads
1	Tool Kit	N/A	Standard electrical contractor tools

4.9 Upstream Feeder Circuit Breaker Setting Inspections

During normal UPS operations, short-term overload current demand from the bypass source may reach 10 times the UPS output current rating. This overload current demand may be caused by the magnetizing inrush current of one or more downstream transformers (i.e., PDUs—Power Distribution Units) or faults on downstream branch circuits. The instantaneous trip point(s) of the upstream bypass feeder breaker(s) must be set to support these temporary overloads. The magnitude of short-term overload bypass current demand is typically six to eight times the UPS current rating, but must be determined by analysis on a per-site basis. This analysis, generally known as an End-to-End Fault Coordination Study, must be done by a Registered Professional Engineer experienced in this activity and familiar with local codes and related requirements.

Liebert strongly recommends periodic inspections of the bypass feeder breaker instantaneous trip settings, as well as the module input (rectifier) feeder breaker trip settings, to ensure that they are correct. For a variety of reasons, although typically during circuit breaker maintenance procedures by others, trip settings have been known to be inadvertently left improperly set. Correct trip setting of these circuit breakers is most important to achieving high-availability from your Liebert UPS system.

For further information regarding proper trip settings for your feeder breakers, call 1-800-LIEBERT.



NOTE

The instantaneous trip setting of the breaker feeding the UPS bypass input should be high enough to accommodate short-duration overloads. The bypass static switch power path inside the UPS can draw up to 10 times the system's rated current for up to three cycles.



NOTE

While Liebert can provide typical guidelines, the responsibility for the proper breaker trip settings outside the Liebert-manufactured UPS equipment resides with the owner. Contact Liebert Global Services at 1-800-LIEBERT for further details.

5.0 SPECIFICATIONS

5.1 Rating

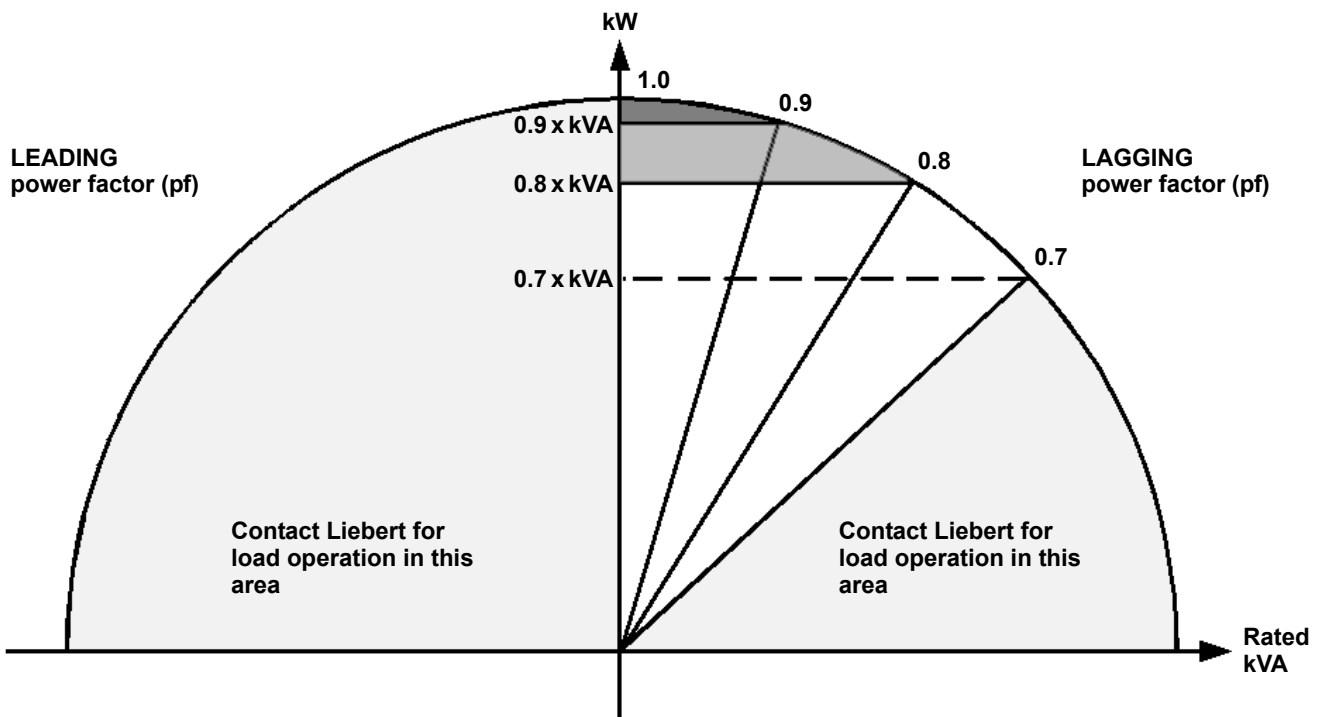
The kVA and kW ratings and the nominal voltages and currents for continuous operation are listed on the unit nameplates (inside Operator Control Panel door) and on the System One-Line Diagram. The rated output power envelope of the UPS is illustrated in **Figure 70**. The UPS is rated to deliver rated kVA and rated kW at 0.8 lagging power factor (pf), or 0.9 lagging pf for some models. However, the UPS will operate connected loads with power factors ranging from 0.7 lagging through 1.0 (unity).

Connected load kW and kVA are both displayed on the LCD screen when the UPS is powering the load. The approximate connected load power factor may be easily calculated by $kW \div kVA = pf$.

For load power factors between 0.7 lagging and the rated power factor (usually 0.8 or 0.9), the full kVA rating of the unit is available. However, above the rated pf the kW rating will become the limiting factor. Note that some models are specifically rated for a 0.9 lagging output power factor.

For loads with power factors below 0.7 lagging or with leading power factors, the UPS output is kVA limited and the UPS System may not meet all of its output performance specifications. Contact Liebert Global Services at 1-800-LIEBERT to request assistance for these applications.

Figure 70 Output power envelope for 0.8 and 0.9 pf rated units



5.2 Environmental Conditions

Table 17 Specifications applicable to environment

Enclosure	The UPS is housed in a NEMA-1 enclosure. The enclosure is designed for indoor use only and is not to be subjected to falling objects or precipitation.		
Recommended Operating Temperature	25°C ambient		
Maximum Operating Temperature	40°C ambient (design temperature) without derating (see Notes 1-3).		
Minimum Operating Temperature	0°C		
Storage Temperature	-20°C to 70°C		
Typical Battery Temperature Requirements	Average annual temperature shall not exceed 27°C. Peak temperature shall not exceed 43°C during any 24-hour period. See battery manufacturer's recommendations.		
Relative Humidity	0 to 95% without condensation		
Operating Elevation	Sea level to 1219 meters (4000 ft.) without derating		
Storage Elevation	Sea level to 15,000 meters (50,000 ft.)		
Audible Noise, measured 5 feet from unit	62-69 dBA typical for 100-450kVA units 72 dBA typical for 500-750kVA units 75 dBA typical for 1000kVA units		
Derating for Higher Ambient Temperatures (see Note 3)	98% at 45°C		
	96% at 50°C		
	93% at 55°C		
	Consult your Liebert sales representative regarding applications in high ambient temperatures or call 1-800-LIEBERT. Special temperature sensors must be installed at the factory.		
Derating for Higher Elevations (see Note 4)	Elevation-ft. (m)	% Derating @ 104°F (40°C) Ambient (see Note 3)	% Derating @ 95°F (35°C) Ambient (see Note 3)
	5000 (1524)	98%	100%
	5249 (1600)	98%	100%
	5906 (1800)	97%	99%
	6562 (2000)	96%	98%
	7218 (2200)	95%	97%
	7874 (2400)	94%	96%
	8530 (2600)	93%	95%
	9186 (2800)	92%	94%
9843 (3000)	90%	92%	

NOTES

1. This category of electronic equipment is agency rated for use in an atmosphere free of conductive particles. Some industrial facilities may require a room air filtration system to keep the UPS free of excess moisture and contaminants.
2. The UPS system is designed to operate continuously at 40°C. However, design equipment life expectancy will be extended with lower temperatures (25°C is recommended).
3. Ambient temperature is the maximum ambient temperature during any 24-hour period. For operation at higher ambient temperatures, consult your Liebert sales representative or call Liebert Global Services at 1-800-LIEBERT.
4. Exercise care during installation to ensure unimpeded airflow through the UPS system. For operation at higher elevations, consult your Liebert sales representative or call Liebert Global Services at 1-800-LIEBERT.

5.3 Adjustments

All adjustments are set at the factory or during start-up and normally do not have to be field readjusted.

- Input Current Limit: Normal, 115%; on generator (with optional circuit), 100%
- Battery Charge Current Limit: Normal, 10%; on generator, 1%
- Battery Equalize Charge: Set at start-up dependent on battery characteristics
- DC Overvoltage: 600 volts
- Overload Alarm: 104% normal load.
- Output Frequency Tolerance: ± 0.5 Hz
- Output Voltage: Nominal - operator adjustable $\pm 5\%$
- Line Drop Compensation: 0 to +5% - set at start-up to match load characteristics; if significant additional loads are connected, call Liebert Global Services

5.4 Battery Operation

The separate battery manufacturer's manual, available on the manufacturer's Web site, provides the necessary information for the installation, operation and maintenance of the battery. Use the battery manual in conjunction with this manual.

The float charge voltage for a battery is equal to the number of cells in series making up the battery multiplied by the charge voltage for each cell.

Since the charging voltage level is critical to proper battery operation, refer to your battery manual, available on the manufacturer's Web site, for information regarding your system.

For 150-750kVA models with nominal 240 cell battery, the DC bus nominal voltage range is 527 to 576 VDC. For 100-125kVA models (with 240 cell battery only), the DC bus nominal voltage range is 534-574 VDC. Maximum equalize voltage is 585 VDC. Battery voltage at end of discharge is 386 VDC at the UPS terminals (389 VDC at the battery). The number of battery cells required will range from 236 to 244, depending on the UPS model and your application.

5.5 Electrical Specifications

RECTIFIER INPUT	
Input Voltage	Standard voltages for 100 - 450kVA units: 208, 480 and 600VAC Standard voltages for 500 - 1000kVA units: 480 and 600VAC Other voltages available on request. 3-phase, 3-wire plus ground.
Voltage Range	+10%, -15% (no battery discharge at -20%)
Frequency Range	57 Hz to 63 Hz
Subcycle Magnetization Inrush	Less than 3 times normal full load input current for UPS models without optional input isolation transformer. Less than 8 times normal full load input current for models with optional input isolation transformer and optional input filter
Input Current Walk-In	From 20% to 100% in 15-20 seconds
Current Limit	Maximum of 125% normal full load input current
Current Distortion	Less than 30% reflected THD typical at normal full load input current. Less than 7% reflected THD typical at normal full load input current with optional input filter 500kVA to 750kVA models with optional 12-pulse rectifier: Less than 9% reflected THD typical at normal full load input current. Less than 4% reflected THD typical at normal full load input current with optional input filter
Power Factor	0.85 minimum lagging at full load 0.92 minimum lagging at full load with optional input filter
BYPASS INPUT	
Input Voltage	Standard voltages - 208/120 VAC, 480/277 VAC, 600/346 VAC. 3-phase, 4-wire plus ground or 3-phase, 3-wire plus ground. Other optional voltages available. Optional voltages - 208 VAC, 480 VAC, 600 VAC. 3-phase, 3-wire plus ground (ungrounded or corner grounded delta). Other optional voltages available.
Voltage Range	±5% for manually initiated bypass transfer ±10% for automatically initiated uninterrupted transfer
Frequency Range	59.5 Hz to 60.5 Hz
Voltage Transient	±4% for manually initiated bypass transfer
CRITICAL LOAD OUTPUT	
Output Voltage	Standard voltages - 208/120 VAC, 480/277 VAC, 600/346 VAC. Other optional voltages available. SCC output: 3-phase, 3-wire plus ground or 3-phase, 4-wire plus ground Module output to SCC: 3-phase, 4-wire plus ground (neutral required) Optional voltages - 208 VAC, 480 VAC, 600 VAC. 3-phase, 3-wire plus ground (ungrounded or corner grounded delta). Other optional voltages available.
Voltage Regulation	±0.5% for balanced load ±2% for unbalanced load
Voltage Adjustment Range	±5% manually
Line Drop Compensation Range	Up to +5% automatic load dependent
Frequency	595 Hz to 605 Hz
Slew Rate	0.01 to 1 Hz per second, adjustable
Phase Balancing	120° ±1° for balanced loads 120° ±3° for 50% unbalanced loads
Voltage Imbalance	
20% Unbalanced Load	±1% from the arithmetic average of the 3 phases
50% Unbalanced Load	±2% from the arithmetic average of the 3 phases
Voltage Transient	
20% Load Step	±4% RMS
50% Load Step	±4% RMS for 100-750kVA units; ±5% RMS for 1000kVA units
100% Load Step	±5% RMS for 100-750kVA units; ±8% RMS for 1000kVA units
Loss or Return of AC Input Power	±1% RMS
Manual Transfer of 100% Load	±4% RMS
Voltage Transient Recovery Time	To within 1% of steady state output voltage within 50 milliseconds
Voltage Harmonic Content	Maximum 5% RMS total, for any combination of linear and nonlinear loads Maximum 3% RMS single, for linear loads
Module Overload Capacity at Full Output Voltage (System overload capacity depends on the configuration of on-line modules.)	104% of full load rating continuously 125% of full load rating for 10 minutes 150% of full load rating for 30 seconds (with ±2% voltage regulation)
Fault Clearing	Up to 300% of normal full load current subcycle; up to 500% of normal full load current for up to 40 milliseconds with bypass available; up to 1000% of normal full load current for up to 16 milliseconds with bypass available

SERIES 610™ UPS**OPERATION & MAINTENANCE MANUAL****The Company Behind the Products**

With over a million installations around the globe, Liebert is the world leader in computer protection systems. Since its founding in 1965, Liebert has developed a complete range of support and protection systems for sensitive electronics:

- Environmental systems—close-control air conditioning from 1 to 60 tons
- Power conditioning and UPS with power ranges from 300 VA to more than 1000 kVA
- Integrated systems that provide both environmental and power protection in a single, flexible package
- Monitoring and control—from systems of any size or location, on-site or remote
- Service and support through more than 100 service centers around the world and a 24/7 Customer Response Center

While every precaution has been taken to ensure the accuracy and completeness of this literature, Liebert Corporation assumes no responsibility and disclaims all liability for damages resulting from use of this information or for any errors or omissions.

© 2005 Liebert Corporation

All rights reserved throughout the world. Specifications subject to change without notice.

® Liebert and the Liebert logo are registered trademarks of Liebert Corporation. All names referred to are trademarks or registered trademarks of their respective owners.

SL-25115 (8/05) Rev. 2

Technical Support/Service**Web Site**

www.liebert.com

Monitoring

800-222-5877

monitoring@liebert.com

Outside the US: 614-841-6755

Single-Phase UPS

800-222-5877

upstech@liebert.com

Outside the US: 614-841-6755

Three-Phase UPS

800-543-2378

powertech@liebert.com

Environmental Systems

800-543-2778

Outside the United States

614-888-0246

Locations**United States**

1050 Dearborn Drive

P.O. Box 29186

Columbus, OH 43229

Italy

Via Leonardo Da Vinci 8

Zona Industriale Tognana

35028 Piove Di Sacco (PD)

+39 049 9719 111

Fax: +39 049 5841 257

Asia

7/F, Dah Sing Financial Centre

108 Gloucester Road, Wanchai

Hong Kong

852 25722201

Fax: 852 28029250