



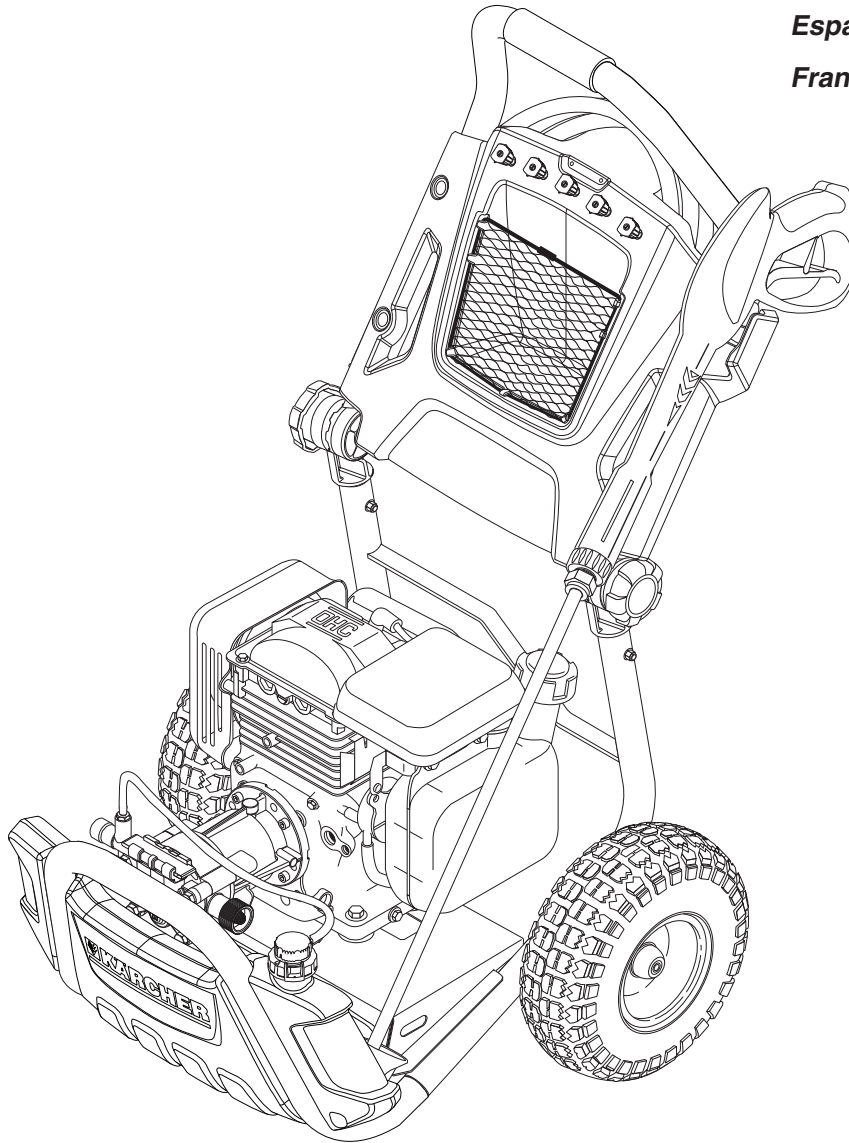
KÄRCHER®

G2600XH G2800XH

English 2

Español 15

Français 28



8.750-854.0 12/10F

HIGH PRESSURE WASHER OPERATOR MANUAL

Model Overview	3
Important Safety Instructions	4
Assembly Instructions	5
Operating Instructions	8
Using the Accessories	9
Working With Detergents	9
Taking a Break	10
Shutting Down & Clean-Up	10
Winterizing and Long-Term Storage	11
Maintenance Instructions	11
Cleaning Tips	11
Troubleshooting	13

Specifications

G2600 XH	
Operating Pressure	2600 PSI
Water Volume	2.5 GPM
Detergent Suction	.15 - .20 GPM
Engine	Honda GC190
Part No.	1.107-154.0
Serial No.	

G2800 XH	
Operating Pressure	2800 PSI
Water Volume	2.5 GPM
Detergent Suction	.15 - .20 GPM
Engine	Honda GC190
Part No.	1.107-155.0
Serial No.	

Safety Alert Symbols

DANGER

indicates “an imminently hazardous situa which, if not avoided, will result in death or serious injury.”

WARNING

indicates “a potentially hazardous situationwhich, if not avoided, could result in death or injury.”

CAUTION

indicates “a potentially hazardous situation which, if not avoided, may result in minor or moderate injury or in property damage incidents.”

Owner/User Responsibility

The owner and/or user must have an understanding of the manufacturer’s operating instructions and warnings before using this pressure washer. Warning information should be emphasized and understood. If the operator is not fluent in English, the manufacturer’s instructions and warnings shall be read to and discussed with the operator in the operator’s native language by the purchaser/owner, making sure that the operator comprehends its contents. Owner and/or user must study and maintain for future reference the manufacturers’ instructions.

Kärcher Customer Support USA/ Canada

Call: **1-800-537-4129** for help or visit our website:

www.karcherresidential.com/home

Please take a moment to register your pressure washer online at:

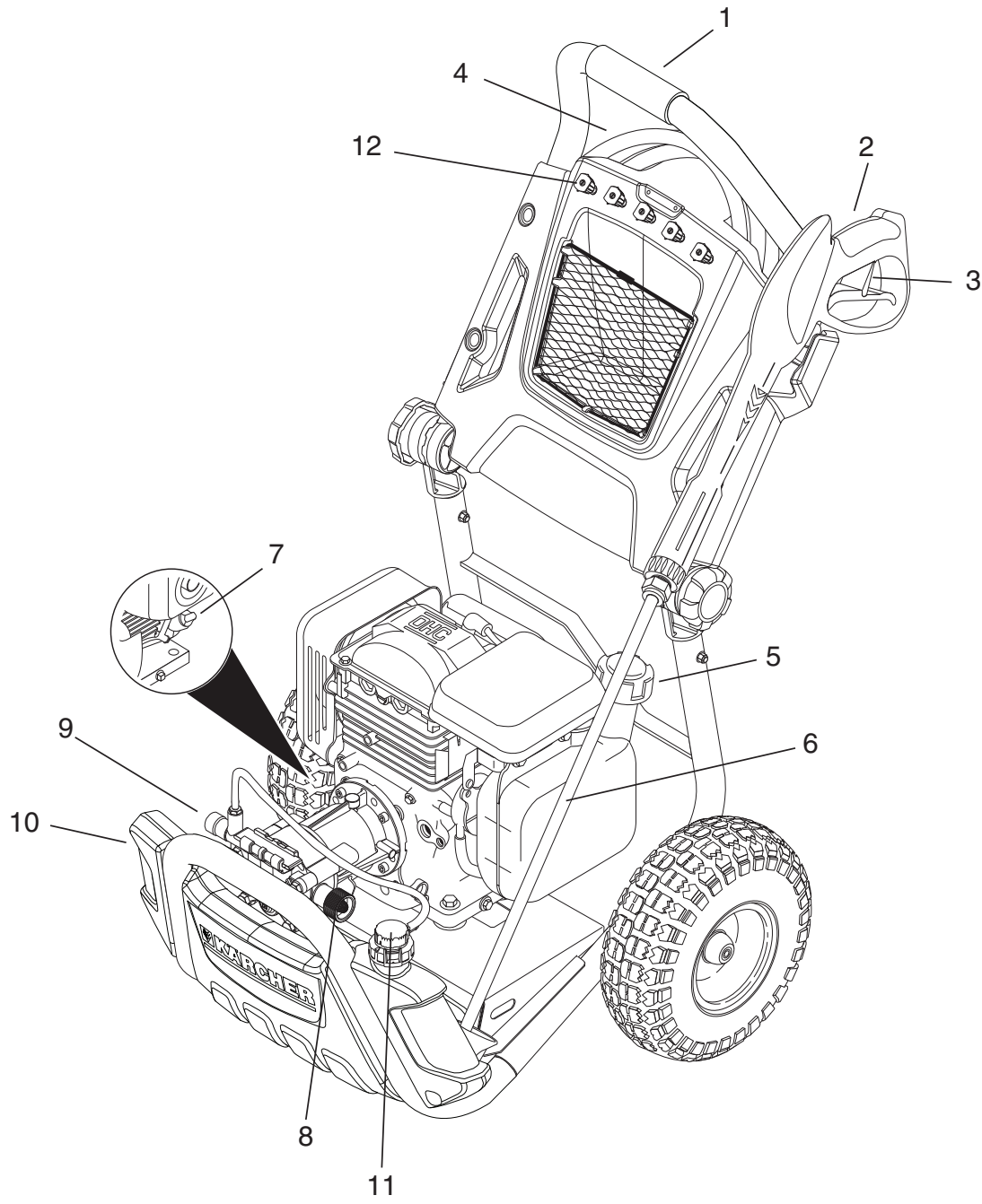
www.karcherresidential.com/warranty

Kärcher Customer Support México

Call: **01-800-024-13-13** for help or visit our

website: www.karcher.com.mx

MODEL OVERVIEW



- 1 Handle
- 2 Trigger Gun
- 3 Trigger Gun Safety Lock
- 4 High Pressure Hose
- 5 Gas Tank
- 6 Spray Wand
- 7 Dipstick
- 8 Water Inlet With Garden Hose Connector
- 9 Quick Connect High Pressure Outlet
- 10 Detergent Tank
- 11 Detergent Metering Valve and Detergent Suction Tube
- 12 Quick Connect Nozzles

For Engine Details See Engine Manual

IMPORTANT SAFETY INSTRUCTIONS

- Read the operating instructions of the engine manufacturer before start-up and follow the safety instructions carefully.

WARNING

When using this product basic precautions should always be followed, including the following:

- Read all the instructions before using the product.
- To reduce the risk of injury, close supervision is necessary when a product is used near children.
- Know how to stop the product and bleed pressures quickly. Be thoroughly familiar with the controls.
- Stay alert – watch what you are doing.
- Do not operate the product when fatigued or under the influence of alcohol or drugs.
- Keep operating area clear of all persons.
- Do not overreach or stand on unstable support. Keep good footing and balance at all times.
- Wear safety goggles.
- Follow the maintenance instructions specified in the manual.
- To avoid risks, all repairs and replacement of spare parts may only be carried out by the authorized customer service personnel.
- Please check and confirm that all 4 screws of the rim are tightened before correcting the tire filling pressure.
- Set the pressure reducer on the compressor at 25 psi before correcting the tire pressure.
- Tire pressure should not exceed max. 25 psi.

WARNING

Risk of Injection or Injury – Do Not Direct Discharge Stream At Persons.

- High pressure jets can be dangerous if misused. The jet must not be directed at persons, animals, electrical devices, or the unit it self.
- Do not spray electrical connections, electrical outlets or fixtures.

WARNING

Risk Of Explosion –Do not spray flammable liquids.

- Do not use acids, alkaline, solvents, or any flammable material in this product. These products can cause physical injuries to the operator and ir reversible damage to the machine.

WARNING

Gun Kicks Back – Hold with both hands.

- The Trigger Gun Safety Lock prevents the trigger from accidentally being engaged. This safety feature DOES NOT lock trigger in the ON position.

WARNING

The engine exhaust from this product contains chemicals known to the State of California to cause cancer, birth defects or other reproductive harm.

CAUTION

Risk of Asphyxiation – Use this product only in a well ventilated area.

- Operate and fuel machine in a well ventilated area, free of devices featuring an open pilot or flame such as boilers, washer heaters, etc.

CAUTION

Risk of Fire – Do not add fuel when the product is operating.

- Do not operate if fuel has been spilled. Instead, move the machine to a different location and avoid creating sparks.
- The machine has hot surfaces which can cause burns. Operate the unit in a safe environment and away from children.
- Do not touch hot surfaces or allow accessories to contact hot surfaces.
- Do not allow the high pressure hose to come into contact with the muffler guard.
- Do not leave the machine running untended.
- Avoid tipping the machine on its side.

SAVE THESE INSTRUCTIONS

WATER SUPPLY (Cold Water Only)

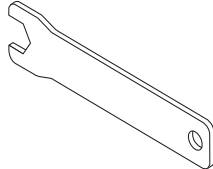
⚠ CAUTION

When connecting the water inlet to the water supply mains, local regulations of your water company must be observed. In some areas the unit must not be connected directly to the public drinking water supply. This is to ensure that there is no feedback of chemicals in to the water supply. Direct connection via a receiver tank or backflow prevented, for example, is permitted. Dirt in the feed water will damage the unit. To avoid this risk, we recommend fitting a water filter.

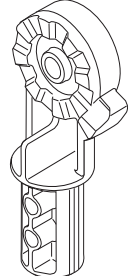
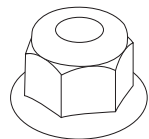
- Garden hose must be at least 5/8 inch diameter.
- Flow rate of water supply must not fall below 2.5 GPM (gallons per minute)
- Flow rate can be determined by running the water for one minute into an empty 5-gallon container.
- The water supply temperature must not exceed 104°F/40°C.
- Never use the pressure washer to draw in water contaminated with solvents, e.g. paint thinners, gasoline, oil, etc.
- Always prevent debris from being drawn into the unit by using a clean water source. Use additional water filter.


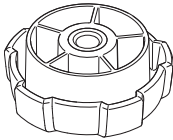

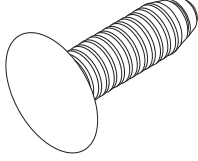
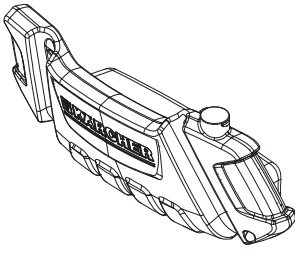
ASSEMBLY INSTRUCTIONS

Required Tools (included)

Description	
7/16" (or 11mm) Wrench Stamped	

Hardware (included)

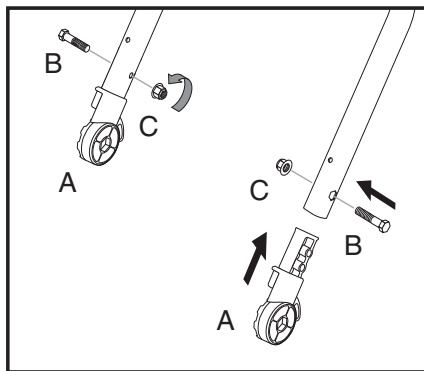
	Description	Purpose	Illustration	Qty
A	Joint	Joint Assembly		2
B	1/4" Nut	Joint Assembly		6

	Description	Purpose	Illustration	Qty
C	1/4" Bolt	Joint Assembly		6
D	Knob	Joint Assembly		2
E	3/8" Bolt	Joint Assembly		2
F	Nylon Rivet	Nozzle Holder Assembly		4
G	Tank	Detergent tank		1

Assembling

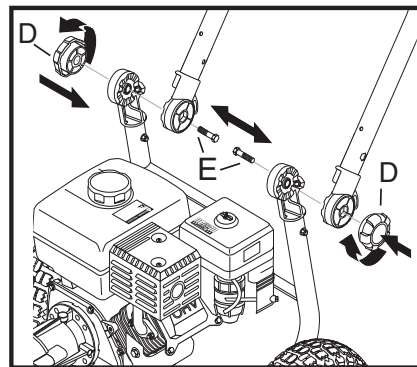
→ STEP 1:

Insert joints **(A)** into handle. Use one 1/4" bolt **(C)** and tighten with one 1/4" nut **(B)** on each side. Hand tighten.



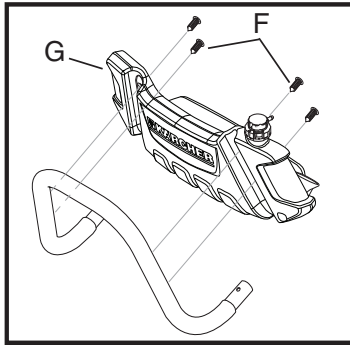
→ STEP 2:

Attach the handle to the frame of the pressure washer. Align holes, insert one 3/8" bolt **(E)**, and tighten the knob **(D)** on each side.



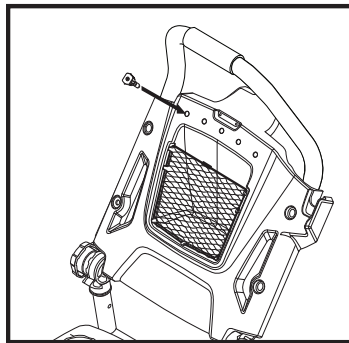
➔ **STEP 3:**

Mount the detergent tank with enclosed nylon rivets to the bumper.



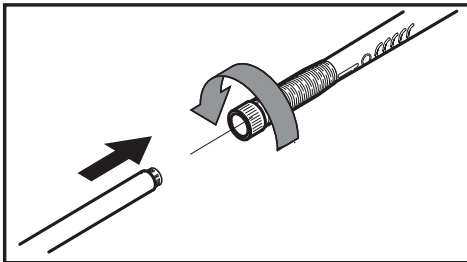
➔ **STEP 4:**

Place the quick connect nozzles in the nozzle holder.



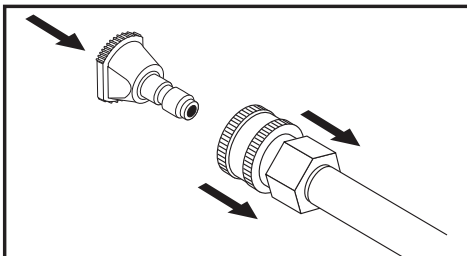
➔ **STEP 5:**

Attach the wand to the spray gun.

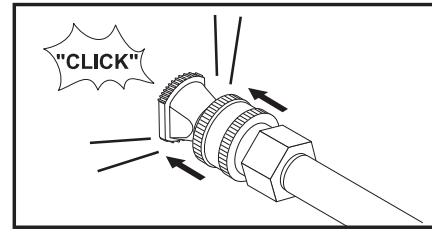


➔ **STEP 6:**

Pull the spring-loaded collar of the wand back to insert your choice of quick connect nozzle.



Release the collar and push the nozzle until the collar clicks.



⚠ WARNING

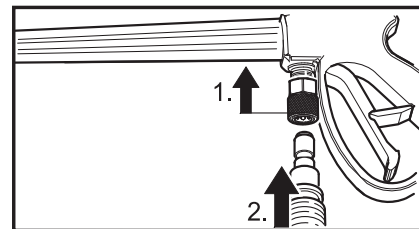
High pressure in nozzle area.

Risk of injury caused by improperly locked nozzle.

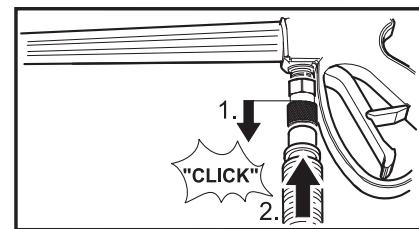
- Make sure you hear a "click" when inserting the nozzle tip in to the wand.
- Pull the nozzle to make sure it is seated properly before operating your unit.

➔ **STEP 7:**

Pull back the spring loaded collar at the spray gun and insert the high pressure hose.



Release the collar and push the nozzle until the collar clicks.



⚠ WARNING

High pressure in quick connect area.

Risk of injury caused by improperly locked high pressure hose.

- Make sure you hear a "click" when inserting the high pressure hose in to the quick connection.
- Pull the high pressure hose to make sure it is seated properly before operating your unit.

OPERATING INSTRUCTIONS

CAUTION

Engine Shipped without oil. Before starting engine, fill with oil. Do not over-fill. Do not run the engine with a high or low oil level as this can cause engine damage.

If you have further questions regarding the engine, please refer to the engine manual included with the unit.

→ STEP 1:

Check oil level. Oil level should always be between the "FULL" and "ADD" marks on the dipstick.

Be sure the machine is level when checking the oil level. (Refer to the engines operating manual for seasonal grades.).

We recommend that the oil be changed after the first 5 hours of use, then once every 50 hours.

→ STEP 2:

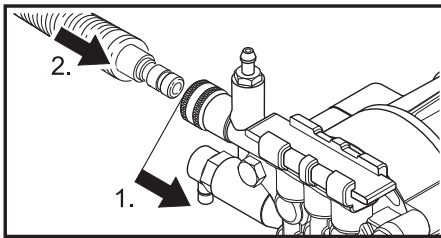
Fill gas tank with unleaded gasoline.

Do not use leaded gasoline.

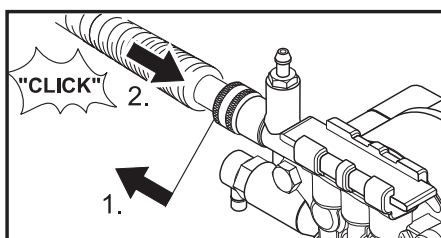
Do not add oil to the gasoline.

→ STEP 3:

Pull back the spring loaded collar at the high pressure outlet and insert the high pressure hose.



Release the collar and push the high pressure hose until the collar clicks.



⚠ WARNING

High pressure in quick connect area.

Risk of injury caused by improperly locked high pressure hose.

- Make sure you hear the "click" when inserting the high pressure hose into the quick connection.

- Pull the high pressure hose to make sure it is seated properly before operating your unit.

→ STEP 4:

Connect garden hose to units` s water inlet.

→ STEP 5:

Connect garden hose to the cold water source and turn water completely on.

Do not use hot water.

→ STEP 6:

Unlock the trigger gun safety lock. Trigger the gun to eliminate trapped air, wait for a steady flow of water to emerge from the spray nozzle.

→ STEP 7:

Open fuel valve. Pull the choke rod to the ON position (on a warm engine, leave the choke rod in the OFF position).

→ STEP 8:

Move the engine stop switch to the ON position.

For engine details see engine manual.

→ STEP 9:

Pull the starter handle. If the engine fails to start after 3 pulls, squeeze the trigger gun to release pressure, and repeat step.

After the engine warms up enough to run smoothly move choke rod to OFF position.

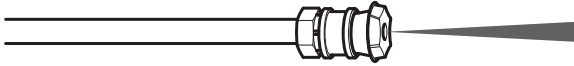
USING THE ACCESSORIES

Quick connect nozzles

The color-coded quick connect nozzles provide a wide array of spray widths from 0° to 65° and are easily accessible when placed in the convenient nozzle holder.

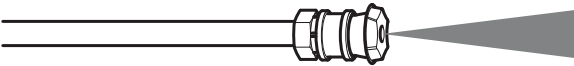
0° spray angle = Red nozzle

For particularly stubborn accumulation of grime. **Not recommended** for soft materials like sidings, decks, painted surfaces, cars.



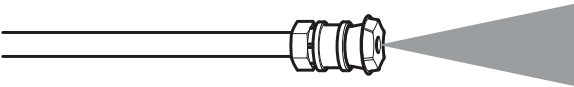
15° spray angle = Yellow nozzle

For dirt accumulation over a surface.



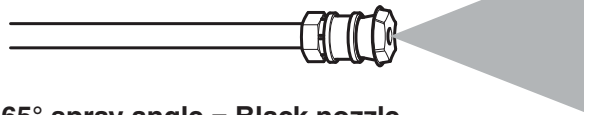
25° spray angle = Green nozzle

For dirt accumulation over a large surface.



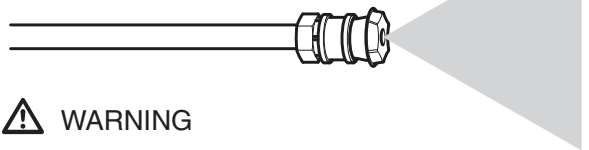
40° spray angle = White nozzle

For moderate dirt accumulation over a large surface.



65° spray angle = Black nozzle

For operating with detergents or cleaning with low pressure.



⚠ WARNING

High pressure in nozzle area. Risk of injury caused by improperly locked *nozzle*.

- Make sure you hear the "click" when inserting the nozzle tip into the quick connection.
- Pull the nozzle to make sure it is seated properly before operating your unit. (See ASSEMBLY INSTRUCTIONS: Step 6)

⚠ WARNING

To avoid serious injury never point spray nozzle at yourself, other persons or animals.

WORKING WITH DETERGENTS

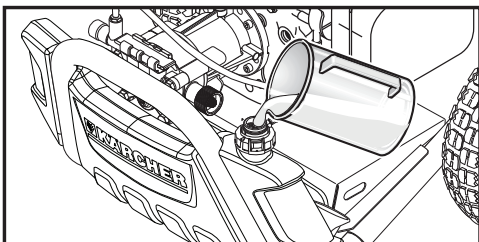
Detergents can only be applied with the black detergent nozzle.

➔ STEP 1:

Install the black detergent nozzle for detergent application (will work at low pressure only).

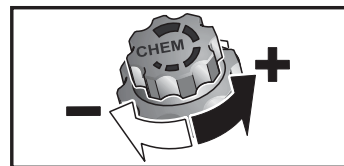
➔ STEP 2:

Fill the detergent tank with Kärcher detergent. Close the detergent tank with the detergent metering cap.



➔ STEP 3:

Adjust the detergent metering valve to the desired dosage.



➔ STEP 4:

With the engine running, pull trigger to operate unit. Liquid detergent is drawn into the unit and mixed with water.

Apply detergent to work area.

Do not allow detergent to dry on surface.

➔ STEP 5:

Always draw fresh water through the detergent suction tube when the cleaning job is done, to rinse/flush any remaining detergents from the injection system.

For best results see Cleaning Tips for specific information on how to clean different surfaces.

Detergents

CAUTION

This unit has been designed for use with cleaning detergents recommended by the manufacturer.

The use of other cleaning detergent may affect the operation of the machine and void the warranty.

Always Use Kärcher Detergent for Best Results

Kärcher biodegradable detergents are specially formulated to protect the environment and your pressure washer. The special formula won't clog the suction tube filter and will protect the internal parts of the pressure washer for a longer life. For Kärcher Detergents, check your retailer or visit our website:

www.karcher-usa.com/home

For more complete list of Kärcher pressure washer detergents, please visit:

www.karcherresidential.com/detergents

CAUTION

Never use:

- Bleach, Chlorine products and other corrosive chemicals
- Liquids containing solvents (i.e., paint thinners, gasoline, oils.)
- Tri-sodium phosphate products
- Ammonia products
- Acid-based products

These chemicals will harm the unit and will damage the surface being cleaned.

Use of these items will void the warranty.

TAKING A BREAK ...five minutes or more

→ STEP 1:

Move the engine stop switch to the OFF position.
For engine details see engine manual.

→ STEP 2:

Release trigger and engage safety lock.

SHUTTING DOWN & CLEAN-UP

→ STEP 1:

Remove detergent suction tube from container and insert into 1 gallon of fresh water.

Siphon water at low pressure for one minute.

→ STEP 2:

Move the engine stop switch to be the OFF position. Close the fuel valve.

→ STEP 3:

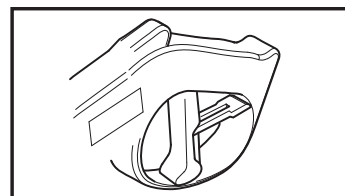
Turn off the water source.

→ STEP 4:

Press trigger to release water pressure.

→ STEP 5:

Release trigger and engage gun safety lock.



→ STEP 6:

Disconnect the garden hose from the water inlet on the unit.

→ STEP 7:

Disconnect the high pressure hose from the high pressure outlet.

WINTERIZING AND LONG-TERM STORAGE

- ➔ **1:** Disconnect all water connections.
- ➔ **2:** Turn on the machine for a few seconds, until the water which had remained in the pump exits, turn off immediately.
- ➔ **3:** Do not allow high pressure hose to become kinked.
- ➔ **4:** Store the machine and accessories in a room which does not reach freezing temperatures. DO NOT store near furnace or other sources of heat as it may dry the pump seals.

CAUTION

Failure to follow the above directions will result in damage to the pump assembly and accessories and will void the warranty.

Kärcher also recommends the regular practice of using a pump protector like “Kärcher Pump Guard” to prevent cold weather damage during storage in the winter months.

MAINTENANCE INSTRUCTIONS

Kärcher pump

Initial Use

All Kärcher pumps ship with oil already inside direct from the factory. There is no need to add oil.

Pump Inspection

You should routinely make a visual inspection of the pressure washer’s pump. If you notice oil leaking around the pump seals, you should take the pressure washer to a Kärcher-Authorized Service Center for repair. (You can locate a service center in your area online at: www.karcher-usa.com/service).

Pump Maintenance

The pump on your Kärcher pressure washer does not require maintenance. Any attempts to service or alter the pump may damage your pressure washer and void your product warranty.

Engine

Carry out maintenance tasks for the engine according to the specifications provided in the operating instructions provided by engine manufacturer.

CLEANING TIPS

Deck Cleaning

(with or without detergent). Pre-rinse deck and surrounding area with fresh water. If using Kärcher Deck Wash, apply to surface at low pressure. For best results, limit your work area to smaller sections of approximately 25 square feet. Allow Deck Wash to remain on surface 1-3 minutes. Do not allow detergent to dry on surface. Rinse at high pressure in a long sweeping motion keeping the spray nozzle approximately 3-6 inches from the cleaning surface. Always clean from top to bottom and from left to right. When moving on to a new section of the cleaning surface, be sure to overlap the previous section to eliminate stop marks and ensure a more even cleaning result.

House Siding

(with or without detergent). Pre-rinse cleaning surface with fresh water. If using Kärcher Pressure Wash, apply to surface at low pressure (for best results, limit your work area to sections of approximately 6 feet and always apply detergent from bottom to top). Allow detergent to remain on surface 1-3 minutes. Do not allow detergent to dry on surface, if surface appears to be drying, simply wet down surface with fresh water. If needed, use special wash brush attachment (not included) to remove stubborn dirt. Rinse at high pressure from top to bottom in an even sweeping motion keeping the spray nozzle approximately 6 inches from the cleaning surface.

Cement Patios, Brick and Stone

(with or without detergent). Pre-rinse cleaning surface with fresh water. If using Kärcher Pressure Wash or Degreaser, apply to surface at low pressure. For best results, limit your work area to smaller sections of approximately 25 square feet. Allow Pressure Wash or Degreaser to remain on surface 1-3 minutes. Do not allow detergent to dry on surface. Rinse at high pressure in a sweeping motion keeping the spray nozzle approximately 3- 6 inches from the cleaning surface. Always clean from top to bottom and from left to right. For removing extremely stubborn stains, use the Dirtblaster Nozzle.

Cars, Boats & Motorcycles

(with or without detergent). Pre-rinse vehicle with fresh water. If using Kärcher Touchless Vehicle Wash, apply to surface at low pressure. For best results, clean one side of vehicle at a time and always apply detergent from bottom to top, do not allow detergent to dry on surface. If needed, use special wash brush attachment (not included) to remove stubborn dirt. Rinse at high pressure in a sweeping motion keeping the spray nozzle approximately 6-8 inches from the cleaning surface

(distance should increase when rinsing pin-striping or other sensitive surfaces). Always clean from top to bottom and from left to right. For best results, wipe surface dry with a chamois or soft dry cloth.

Barbecue Grills, Outdoor Power Equipment & Gardening Tools

(with or without detergent). Pre-rinse cleaning surface with fresh water. If using Kärcher Pressure Wash or Degreaser, apply detergent at low pressure. Allow Pressure Wash to remain on surface 1-3 minutes. Do not allow detergent to dry on surface. Rinse at high pressure keeping the spray nozzle approximately 3-6 inches from the cleaning surface. For removing extremely stubborn dirt, it may be necessary to move the spray nozzle even closer to the surface for greater dirt cutting action.

Patio & Lawn Furniture

(with or without detergent). Pre-rinse furniture and surrounding area with fresh water. If using Pressure Wash, apply to surface at low pressure. Allow Pressure Wash to remain on surface 1-3 minutes. Do not allow detergent to dry on surface. If needed use special Wash Brush Attachment (not included) to remove stubborn dirt. Rinse at high pressure in a sweeping motion keeping the spray nozzle approximately 3-6 inches from the cleaning surface. For best results, clean from top to bottom and from left to right.

Recommendations

- Before cleaning any surface an inconspicuous area should be cleaned to test spray pattern and distance for maximum cleaning results.
- If painted surfaces are peeling or chipping, use extreme caution as pressure washer may remove the loose paint from the surface.
- When using on surfaces which might come in contact with food, flush surfaces with plenty of drinking water.
- For additional cleaning tips, visit our website at www.karcher-usa.com/home

Optional Accessories

Optional accessories are available to further enhance

your cleaning capabilities. These accessories are accurate as of the printing date of this manual. Please check our website:

www.karcherusa.com/home for pricing and up-to-date information.

- Extension Hose
- Dirtblaster spray nozzle

TROUBLESHOOTING

⚠ CAUTION

Remove the spark plug cable to prevent accidental ignition of the engine before making any repair

Symptom	Cause	Solution
ENGINE WILL NOT START	No gasoline	Fill gas tank
	Choke is not in the correct position	Slide choke lever out to closed position
	Water pressure built up in the machine	Squeeze the trigger to release the pressure
	For additional engine problems refer to the engine manual.	
UNIT DOES NOT REACH HIGH PRESURE	Diameter of garden hose is too small	Replace with a 5/8 inch or larger garden hose
	Water supply is restricted	Check garden hose for kinks, leaks and blockage
	Not enough inlet water supply	Turn water on full force. Check garden hose for kinks, leaks or blockage.
	Water inlet filter is clogged	Remove filter and rinse out in warm water
	Black detergent nozzle is attached	Remove black detergent nozzle and attach high pressure nozzle
OUTPUT PRES-SURE VARIES HIGH AND LOW	Not enough inlet water supply.	Turn water on full force. Check garden hose for kinks, leaks or blockage
	Pump is sucking air	Check that hoses and fittings are air tight. Turn off machine and purge pump by squeezing trigger gun until a steady flow of water emerges through the nozzle
	Water inlet filter is clogged	Remove filter and rinse out in warm water
	Spray nozzle is obstructed	Blow out or remove debris with a fine needle
	Calcified gun, hose or spray wand	Run distilled vinegar through detergent suction tube.

Symptom	Cause	Solution
NO DETERGENT.	Detergent suction tube not properly connected to the machine	Check connection
	Detergent is too thick	Dilute detergent, for best results use Kärcher detergent
	Filter on detergent suction tube is clogged	Run warm water through filter to remove debris
	Damaged or clogged detergent suction tube	Remove obstruction or replace detergent suction tube
	A high pressure nozzle is attached	Replace with black detergent nozzle
	Metering valve closed	Open metering valve
	Spray nozzle is obstructed	Blow out or remove debris with fine needle
GARDEN HOSE CONNECTION LEAKS	Loose fittings	Tighten fittings
	Missing/worn rubber washer	Insert new washer
SPRAY WAND LEAKS	Spray wand not properly attached	Turn the swivel nut of the gun clockwise until connection is tight
	Broken o-ring or plastic insert	Call Customer Support
PUMP IS NOISY	Not enough gas or engine oil	Check that hoses and fittings are air tight. Turn off machine and purge pump by squeezing trigger gun until a steady flow of water emerges through the nozzle
WATER LEAKS FROM PUMP (UP TO 10 DROP PER MINUTE IS PERMISSIBLE)	Loose fittings	Tighten fittings
	Water seals are damaged or worn.	Call Customer Support
	Thermal protection device is activated.	Thermal protection device will auto reset. Do not run pump for more than 5 minutes without spraying
OIL DRIP	Oil seals are damaged or worn	Call Customer Support

If the symptom you are experiencing is not listed above, or if the provided solutions do not solve your issue, please visit our extensive online troubleshooting database at:

www.karcherresidential.com/help.

MANUAL DE USUARIO DEL LIMPIADOR DE ALTA PRESIÓN

Vista general del modelo	16
Importantes instrucciones de seguridad	16
Instrucciones de montaje	18
Instrucciones de funcionamiento	21
Utilización de los accesorios	22
Trabajar con detergentes	22
Tomarse un descanso	23
Apagado y limpieza	23
Almacenamiento prolongado	24
Instrucciones de mantenimiento	24
Consejos de limpieza	24
Localización y reparación de averías	26

Especificaciones

G2600 XH	
Presión de trabajo	2600 PSI
Volumen de agua	2.5 GPM
Absorción de detergente	.15 - .20 GPM
Motor	Honda GC190
No. de parte	1.107-154.0
No. de serie	

G2800 XH	
Presión de trabajo	2800 PSI
Volumen de agua	2.5 GPM
Absorción de detergente	.15 - .20 GPM
Motor	Honda GC190
No. de parte	1.107-155.0
No. de serie	

Símbolos de aviso de seguridad

PELIGRO

Indica “una situación de peligro inminente que, si no se evita, puede causar lesiones graves e incluso la muerte”.

ADVERTENCIA

Indica “una situación de peligro potencial que, si no se evita, puede causar lesiones e incluso la muerte”

ATENCIÓN

Indica “una situación de peligro potencial que, si no se evita, puede causar lesiones de poca importancia o leves”, o daños materiales.

Responsabilidades del propietario/usuario

El propietario y/o el usuario deben comprender bien las instrucciones de servicio y advertencias del fabricante antes de empezar a utilizar este limpiador de alta presión. Debe prestarse especial atención y tener muy claras las advertencias. Si el operador no habla bien el inglés, el propietario/comprador debe responsabilizarse de leer y comentar las instrucciones y las advertencias en su lengua natal, y asegurarse de que entienda a la perfección su contenido. El propietario y/o el usuario deben leer y guardar como referencia para el futuro las instrucciones del fabricante.

Servicio de asistencia al cliente de Kärcher USA/Canada

Llame al: **1-800-537-4129** si necesita ayuda o visite nuestra página Web:

www.karcherresidential.com/home

Por favor, dedique unos minutos a registrar su aparato de lavado a presión en

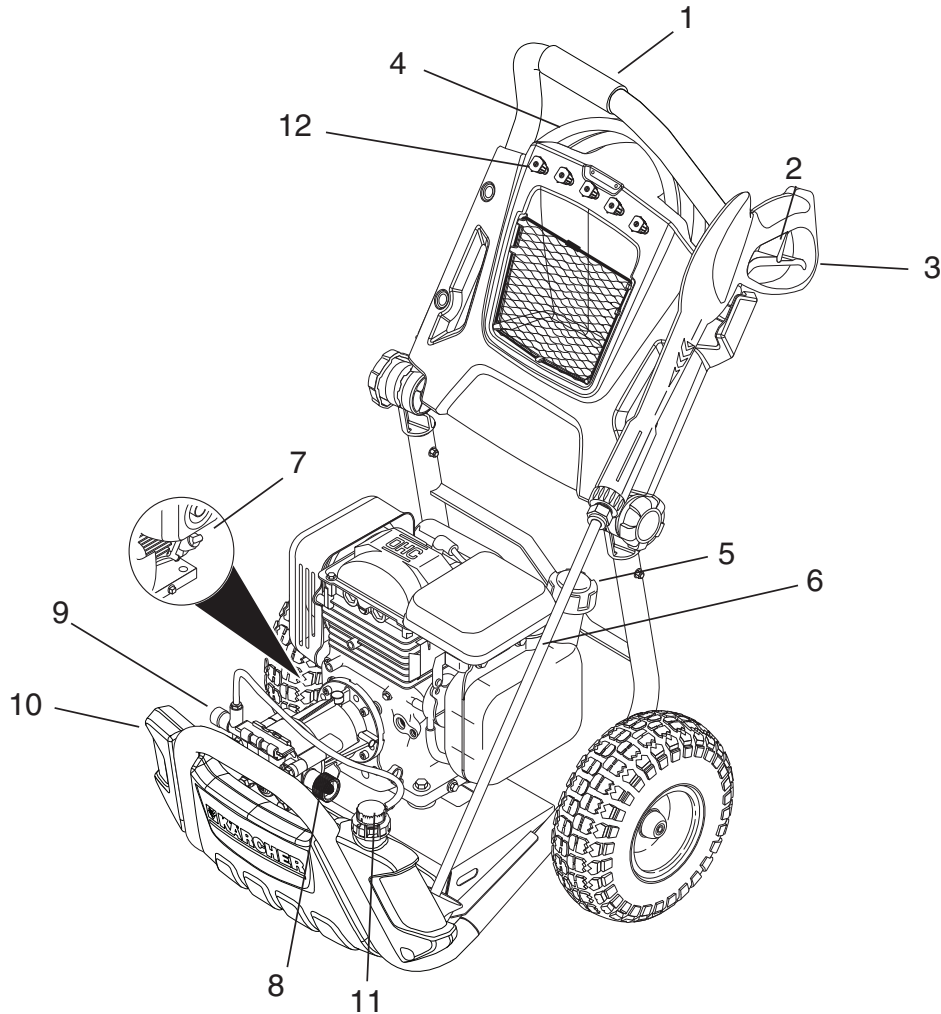
www.karcherresidential.com/warranty

Soporte Kärcher México

Llame al: **01-800-024-13-13** si necesita ayuda o visite nuestra página Web:

www.karcher.com.mx

VISTA GENERAL DEL MODELO



- | | | | |
|---|--|----|---|
| 1 | Asa de transporte | 8 | Toma de agua con conector para manguera de jardín |
| 2 | Pistola de disparo | 9 | Conexión rápida a toma de alta presión |
| 3 | Pestillo de seguridad de la pistola de disparo | 10 | Depósito de detergente |
| 4 | Manguera de alta presión | 11 | Tubo de succión de detergente con válvula de dosificado de detergente |
| 5 | Depósito de gasolina | 12 | Boquillas de conexión rápida |
| 6 | Barra pulverizadora | | Consulte el manual del motor para más información sobre el motor |
| 7 | Varilla del aceite | | |

INSTRUCCIONES IMPORTANTES DE SEGURIDAD

- *Antes de la puesta en marcha, leer el manual de instrucción del fabricante del motor, especialmente las indicaciones de seguridad.*
 - *Lea todas las instrucciones antes de usar el producto.*
 - *Para reducir el riesgo de lesiones, es preciso vigilar atentamente si se usa el producto cerca de niños.*
- ⚠ ADVERTENCIA**
- Al utilizar este producto, tome siempre las precauciones básicas, incluidas las siguientes:

INSTRUCCIONES IMPORTANTES DE SEGURIDAD

- *Es necesario saber cómo parar rápidamente el producto y parar hemorragias. Estar familiarizado con los mandos.*
- *Estar atento, prestar atención a lo que se está haciendo.*
- *No ponga en funcionamiento el producto si está cansado o está bajo la influencia de alcohol o drogas.*
- *Mantenga la zona de trabajo libre de personas.*
- *No sobrecargar o colocar sobre un soporte inestable. Mantener el equilibrio en todo momento.*
- *Utilizar gafas de seguridad.*
- *Seguir las instrucciones de mantenimiento especificadas en el manual.*
- *Para evitar riesgos, es necesario que las reparaciones y el montaje de piezas de repuesto sean realizados únicamente por el servicio técnico autorizado.*
- *Antes de corregir la presión de los neumáticos, comprobar si los 4 tornillos de la llanta están bien apretados.*
- *Antes de corregir la presión de los neumáticos, ajustar el reductor de presión del compresor a 25 psi.*
- *La presión de los neumáticos no debe superar 25 psi máx.*

ADVERTENCIA

Riesgo de inyección o lesiones - no dirigir el chorro directamente sobre personas.

- *Los aparatos a alta presión pueden resultar peligrosos si se usan de forma incorrecta. No se debe dirigir el aparato a personas, animales, dispositivos eléctricos o la equipo mismo.*
- *No pulverizar sobre conexiones eléctricas, enchufes o aparatos.*

ADVERTENCIA

Riesgo de explosión - no pulverizar sobre líquidos inflamables.

- *No usar ácidos, alcalinos, disolventes, o cualquier material inflamable con este producto. Estos productos pueden causar heridas físicas al operario y daños irreparables a la máquina.*

ADVERTENCIA

La pistola rebota hacia atrás - sujetar con las dos manos.

- *El seguro del gatillo de la pistola evita que el gatillo salte de forma involuntaria. El dispositivo de seguridad NO bloquea el gatillo en la posición ON.*

ADVERTENCIA

Los humos de escape de este producto con tienen productos químicos que según el Estado de California pueden causar cáncer, defectos de nacimiento o reproducción.

ATENCIÓN

Riesgo de asfixia - usar este producto únicamente en una zona bien ventilada

- *Operar y repostar la máquina en una zona bien ventilada, donde no haya dispositivos con un piloto o llama abierta tales como boiler, calentadores de agua, etc.*

ATENCIÓN

Riesgo de incendio - no repostar la máquina mientras esté en funcionamiento.

- *No poner en funcionamiento si se ha deramado gasolina. Mueva la máquina a otro lugar para evitar que se produzcan chispas*
- *La máquina tiene superficies calientes que pueden causar quemaduras. Poner en funcionamiento el aparato en un ambiente seguro y lejos de niños.*
- *No tocar las superficies calientes o permitir a los accesorios que estén en contacto con las superficies calientes.*
- *No permitir a la manguera de alta presión que esté en contacto con la cinta de protección.*

SUMINISTRO DE AGUA (Sólo agua fría)

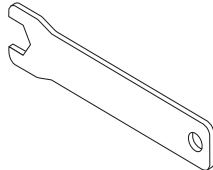
ATENCIÓN

Cuando conecte la entrada de agua al suministro de agua principal, respete las normativas locales de la compañía de agua. En algunas zonas no se puede conectar directamente al suministro público de agua potable. Esto para asegurar que no entran productos químicos al suministro de agua. Se permite, por ejemplo, conectar directamente a través de un depósito receptor o bloqueo de reflujo. Si entra suciedad en la entrada de agua se dañará el equipo. Para evitar correr este riesgo, recomendamos usar un filtro de agua.

- La manguera del jardín debe tener al menos un diámetro de 5/8 pulgadas.
- El índice de flujo de agua no deben ser inferior a 2.5 GPM (galones por minuto).
- El índice de flujo se puede determinar si se deja correr el agua durante un minuto en un bidón de 5 galones.
- La temperatura de agua no debe exceder los 104°F/40°C.
- No usar la limpiadora de alta presión para agua contaminada con disolventes, por ejemplo para diluir pintura, gasolina, aceite etc.
- Evitar que entren escombros en la unidad, para ello use una fuente de agua limpia. Use un filtro adicional de agua.
- No utilizar la limpiadora de presión sin el agua encendida.


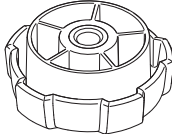

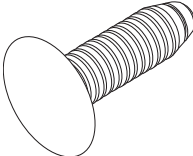
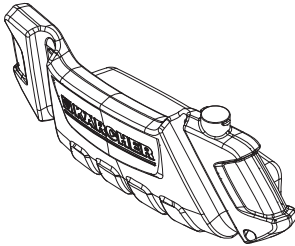
INSTRUCCIONES DE MONTAJE

Herramientas necesarias (Incluidas)

Descripción	
7/16" (11mm) llave	

Partes (Incluidas)

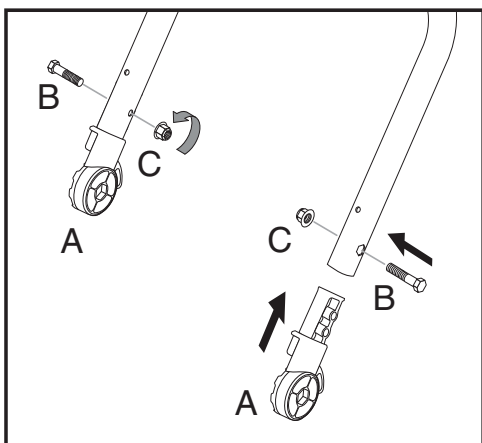
	Descripción	Ojetivo	Dibujo	Cant.
A	Articulación	Ensamble de junta		2
B	Tuerca 1/4"	Ensamble de junta		6

	Descripción	Objetivo	Dibujo	Cant
C	Perno 1/4"	Ensamble de junta		6
D	Perilla	Ensamble de junta		2
E	Perno 3/8"	Ensamble de junta		2
F	Remache de nylon	Ensamble del soporte de boquillas		4
G	Tanque	Tanque para detegente		1

Montaje

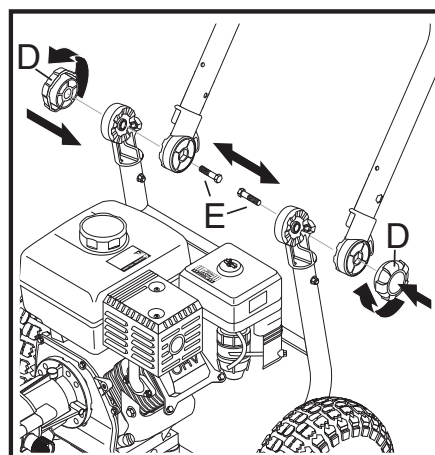
→ PASO 1:

Fije las juntas (A) a la asa de transporte. Use un perno de 1/4" (C) y ajústelo con una tuerca de 1/4" (B) para cada lado. Ajústelo manualmente.



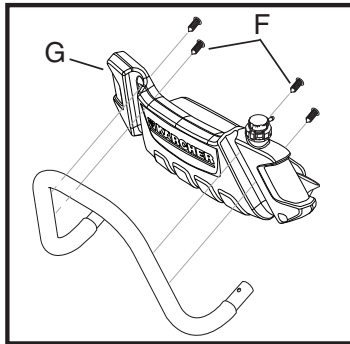
→ PASO 2:

Fíje el mango al cuerpo de la lavadora a presión. Alinear los agujeros, coloque un perno de 3/8" (E), y ajuste la perilla (D) de cada lado.



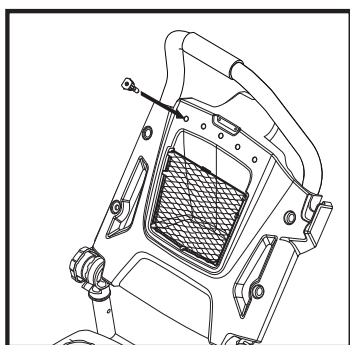
➔ **PASO 3:**

Monte el depósito de detergente al para-choques con los remaches de nylon.



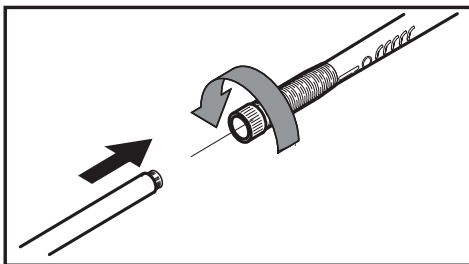
➔ **PASO 4:**

Enchufar las boquillas en el porta boquillas.



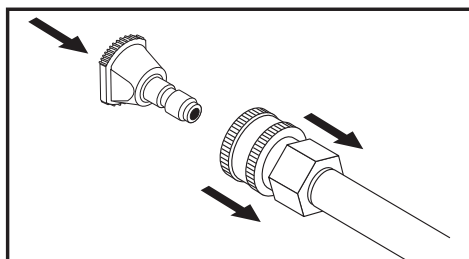
➔ **PASO 5:**

Conectar la barra con la pistola pulverizadora.

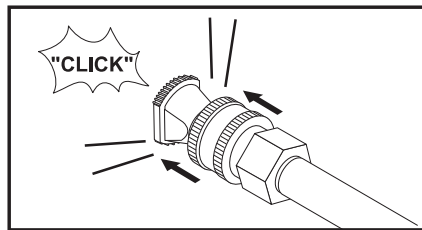


➔ **PASO 6:**

Jalar el cuello con resorte hacia la barra pulverizadora para insertar la boquilla de conexión rápida elegida. Insertar la boquilla rápida de conexión elegida.



Soltar el cuello y empujar la boquilla hasta que encaje



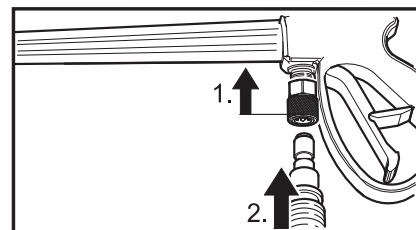
⚠ ADVERTENCIA

Alta presión en la zona de la boquilla. Riesgo de lesiones causados por una boquilla mal cerrada.

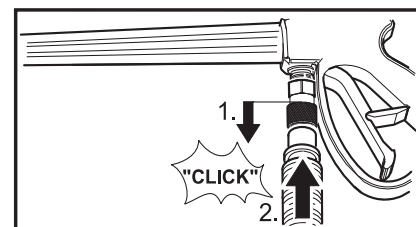
- Asegúrese de oír el "clic" al insertar la punta de la boquilla en la barra
- Tirar de la boquilla para asegurarse de está bien colocada antes de poner en funcionamiento la unidad.

➔ **PASO 7:**

Tire del cuello de resorte en la pistola dosificadora e inserte la manguera de alta presión.



Soltar el cuello y empujar la conexión rápida de la manguera de alta presión hasta que el collar encaje.



⚠ ADVERTENCIA

Alta presión en la zona de conexión rápida. Riesgo de lesiones causadas por una manguera de alta presión mal cerrada.

- Asegúrese de oír el "clic" al insertar la manguera de alta presión en la conexión rápida.
- Tirar de la manguera de alta presión para asegurarse de está bien colocada antes de poner en funcionamiento la unidad.

INSTRUCCIONES DE FUNCIONAMIENTO

⚠ ATENCIÓN

El motor es despachado sin aceite. Antes de dar arranque al motor, aprovisionelo de aceite. No lo llene demasiado. No poner en funcionamiento el motor con un nivel de aceite demasiado bajo o demasiado alto ya que se puede dañar el motor. Si tiene más preguntas sobre el motor, consulte el manual suministrado con el equipo.

➔ PASO 1:

Comprobar el nivel de aceite. El nivel de aceite tiene que estar siempre entre las marcas "FULL" y "ADD" en la varilla. Asegúrese de que la máquina esté nivelada cuando compruebe el nivel de aceite. (Consulte el manual de funcionamiento de la máquina para los grados según la estación.). Recomendamos cambiar el aceite tras las primeras 5 horas de uso y después cada 50 horas.

➔ PASO 2:

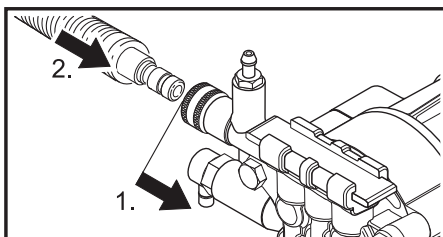
Llenar el tanque de gasolina con gasolina sin plomo.

No usar gasolina con plomo.

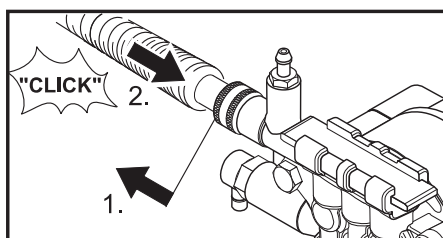
No añade aceite a la gasolina.

➔ PASO 3:

Tire del collar con resorte en la toma de alta presión e inserte la manguera de alta presión.



Soltar el cuello y empujar la conexión rápida de la manguera de alta presión hasta que el collar encaje.



⚠ ADVERTENCIA

Alta presión en la zona de conexión rápida. Riesgo de lesiones causadas por una manguera de alta presión mal cerrada.

- Asegúrese de oír el "clic" al insertar la manguera de alta presión en la conexión rápida.
- Tirar de la manguera de alta presión para asegurarse de está bien colocada antes de poner en funcionamiento la unidad.

➔ PASO 4:

Conecte la manguera de jardín a la toma de agua de la unidad.

➔ PASO 5:

Conecte la manguera de jardín a la toma de agua fría y abra el agua del todo.

No usar agua caliente.

➔ PASO 6:

Desbloquee el pestillo de seguridad de la pistola de disparo. Dispare la pistola para eliminar el aire aprisionado y espere hasta que salga un caudal de agua constante de la boquilla pulverizadora.

➔ PASO 7:

Abrir la válvula de combustible. Tirar del estrangulador a la posición ON (en un motor caliente, dejar el estrangulador en la posición OFF).

➔ PASO 8:

Mover el interruptor de parada del motor a la posición ON. Consulte el manual del motor para más información sobre el motor.

➔ PASO 9:

tirar del mango de arranque. Si el motor no arranca tras 3 intentos, apretar la pistola de gatillo para soltar presión y repetir el paso.

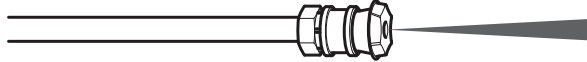
Después de que el motor haya entrado en calor lo suficiente para poder funcionar sin problemas, mover el estrangulador a la posición OFF.

UTILIZACIÓN DE LOS ACCESORIOS

Boquillas de conexión rápida

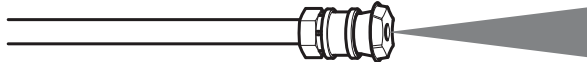
Las boquillas de conexión rápida codificadas por colores ofrecen una gran variedad de anchos de pulverización de 0° a 65° y son de fácil acceso si se colocan en un práctico soporte de boquilla

0° ángulo pulverizador = Boquilla roja



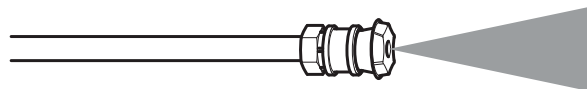
15° ángulo pulverizador = Boquilla amarilla

Para suciedad sobre una superficie.



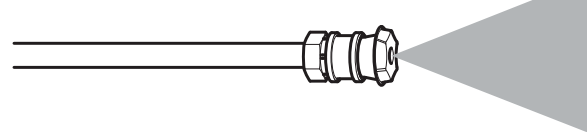
25° ángulo pulverizador = Boquilla verde

Para suciedad sobre una superficie grande.



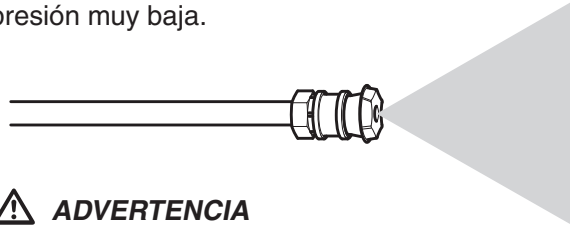
40° ángulo pulverizador = Boquilla blanca

Para suciedad moderada sobre una superficie grande.



65° ángulo pulverizador = boquilla de detergente negra

Para trabajar con detergente o limpiar con una presión muy baja.



⚠ ADVERTENCIA

Alta presión en la zona de la boquilla. Riesgo de lesiones causados por una boquilla mal cerrada.

- Asegúrese de oír el "clic" al insertar la punta de la boquilla en la barra.
- Tirar de la boquilla para asegurarse de está bien colocada antes de poner en funcionamiento la unidad. (INSTRUCCIONES DE MONTAJE: paso 6)

⚠ ADVERTENCIA

Para evitar heridas graves, nunca dirija la boquilla pulverizadora hacia usted mismo, hacia otras personas o hacia animales.

TRABAJAR CON DETERGENTES

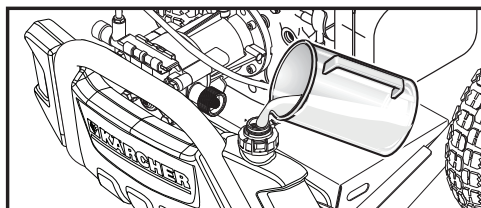
Sólo se pueden aplicar detergentes con la boquilla de detergente negra.

➔ PASO 1:

Colocar la boquilla de detergente negra para aplicar detergente (sólo trabajará a baja presión).

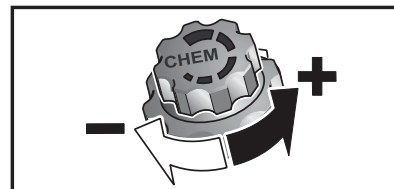
➔ PASO 2:

Llenar el depósito de detergente con detergente Kärcher. Cerrar el depósito de detergente con la tapa dosificadora para detergente.



➔ PASO 3:

Ajuste la válvula de dosificado de detergente a la dosis deseada.



➔ PASO 4:

Con el motor en marcha, tirar del gatillo para poner el equipo en funcionamiento. El detergente líquido se introduce en el equipo y se mezcla con agua. Aplicar detergente al área de trabajo. No permitir que el detergente se seque sobre la superficie

➔ PASO 5:

Dejar correr siempre agua fresca por el tubo de absorción de detergente al acabar el trabajo de limpieza para limpiar/extraer los restos de detergente del sistema de inyección.

Para obtener mejores resultados, consulte la sección de consejos de limpieza.

Detergentes

⚠ ATENCIÓN

Siga las instrucciones de mantenimiento especificadas en el manual. Este aparato ha sido diseñado para ser utilizado con detergentes de limpieza del fabricante. El uso de otros detergentes de limpieza puede afectar al funcionamiento del aparato y hacer que deje de tener validez la garantía.

Utilice siempre detergente Kärcher para obtener los mejores resultados

Los detergentes biodegradables de Kärcher han sido especialmente concebidos para proteger el medio ambiente y el limpiador a presión. Su fórmula especial no obstruirá el filtro del tubo de succión y protegerá las piezas internas del limpiador de alta presión para que su vida útil sea más larga. Para adquirir los detergentes Kärcher, diríjase a su comerciante minorista o llame a nuestro centro de asistencia si necesita ayuda.

Para obtener una lista más completa de detergentes Kärcher, por favor visite:

www.karcherresidential.com/detergents

⚠ ATENCIÓN

No utilice nunca:

- Lejía, productos que contengan cloro ni otro tipo de productos químicos corrosivos
- Líquidos que contengan disolventes (p. ej., diluyentes de pintura, gasolina, aceites)
- Productos de fosfato trisódico
- Productos con amoníaco
- Productos con base ácida

Los productos químicos mencionados dañarán la unidad y dañarán la superficie que se limpie.

El uso de estos objetos invalidará la garantía.

TOMARSE UN DESCANSO... de cinco minutos o más

➔ PASO 1:

Mover el interruptor de parada del motor a la posición OFF.

Consulte el manual del motor para más información sobre el motor.

➔ PASO 2:

Suelte el gatillo y accione el pestillo de seguridad de la pistola.

APAGADO Y LIMPIEZA

➔ PASO 1:

Quitar el tubo de absorción de detergente del bidón e introducir en un galón de agua limpia. Sacar agua a baja presión durante un minuto.

➔ PASO 2:

Mover el interruptor de parada del motor a la posición OFF. Cerrar la válvula de combustible.

➔ PASO 3:

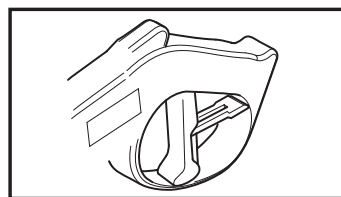
Cierre el grifo del agua.

➔ PASO 4:

Presione el gatillo para liberar la presión del agua.

➔ PASO 5:

Suelte el gatillo y accione el pestillo de seguridad de la pistola.



➔ PASO 6:

Desconecte la manguera de jardín de la toma de agua de la unidad.

➔ PASO 7:

Desconecte la manguera de alta presión de la salida de alta presión.

PROTECCIÓN EN EL INVIERNO Y ALMACENAJE PROLONGADO

- ➔ **1:** Desconecte todas las conexiones de agua.
- ➔ **2:** Encienda el aparato durante unos segundos hasta que haya salido el agua que haya quedado en la bomba, y apáguelo inmediatamente.
- ➔ **3:** Evite que la manguera de alta presión se retuerza.
- ➔ **4:** Almacene el aparato y los accesorios en una habitación que no llegue a temperaturas bajo cero. NO lo almacene cerca de hornos

u otras fuentes de calor, ya que se podrían secar las juntas de estanqueidad de la bomba.

ATENCIÓN

Si no se cumplen las instrucciones mencionadas arriba, el grupo de la bomba y los accesorios sufrirán daños y anular su garantía. Kärcher también recomienda el práctica general de usar un protector de bomba como "Protección de bomba Kärcher" para ayudar en el almacenamiento durante los meses de invierno

INSTRUCCIONES DE MANTENIMIENTO

Bomba Kärcher

Uso inicial

Todas las bombas Kärcher viene con aceite directamente de fábrica. No es necesario añadir aceite.

Inspección de la bomba

Debe realizar una inspección visual de rutina de la bomba de la limpiadora a presión. Si ve que pierde aceite en las juntas de la bomba, lleve la limpiadora a presión a un servicio técnico autorizado de Kärcher. (Puede localizar a un servicio

técnico en su zona online en www.karcher-usa.com/service).

Mantenimiento de la bomba

La bomba de su limpiadora Kärcher no precisa mantenimiento. Cualquier intento de revisar o modificar la bomba puede dañar su limpiadora a presión y anular su garantía.

Motor

Llevar a cabo las tareas de mantenimiento del motor de acuerdo con las especificaciones indicadas en las instrucciones de funcionamiento del fabricante del motor.

CONSEJOS DE LIMPIEZA

Limpieza de cubiertas

(con o sin detergente). Preenjuague la cubierta y el área circundante con agua limpia. Si utiliza Deck Wash de Kärcher, aplíquelo en la superficie a baja presión. Para obtener mejores resultados, divida el área de trabajo en pequeñas secciones de aprox. 25 pies cuadrados. Deje el Deck Wash sobre la superficie durante 1-3 minutos. No deje que se seque el detergente sobre la superficie. Enjuague a alta presión mediante un movimiento de barrido, manteniendo la boquilla pulverizadora a aprox. 3-6 pulgadas de la superficie a limpiar. Limpie siempre de arriba a abajo y de izquierda a derecha. Cuando pase a la siguiente sección de la superficie a limpiar, asegúrese de solapar la nueva sección con la sección anterior para evitar que queden marcas de parada y garantizar, así, un resultado homogéneo.

Revestimiento de la casa

(con o sin detergente). Preenjuague la superficie a limpiar con agua limpia. Si utiliza Pressure Wash de Kärcher, aplíquelo a la superficie a baja presión (para obtener mejores resultados, divida la zona de trabajo en secciones de aproximadamente 6 pies y aplique siempre el detergente de abajo a arriba). Deje el Pressure Wash sobre la superficie durante 1-3 minutos. No deje secar el detergente sobre la superficie. Si ve que la superficie se va a secar, simplemente moje la superficie con agua limpia. Si es necesario, utilice un accesorio especial con cepillo de lavado (no incluido) para quitar la suciedad difícil. Enjuague a alta presión mediante un movimiento de barrido homogéneo, manteniendo la boquilla pulverizadora a aprox. 15 centímetros de la superficie a limpiar.

Patios de cemento, ladrillos y piedra

(con o sin detergente). Preenjuague la superficie a limpiar con agua limpia. Si utiliza Pressure Wash o Degreaser de Kärcher, aplíquelo en la superficie a baja presión. Para obtener mejores resultados, divida el área de trabajo en pequeñas secciones de aprox. 25 pies cuadrados. Deje el Pressure Wash o Degreaser sobre la superficie durante 1-3 minutos. No deje que se seque el detergente sobre la superficie. Enjuague a alta presión mediante un movimiento de barrido, manteniendo la boquilla pulverizadora a aprox. 3-6 pulgadas de la superficie a limpiar. Limpie siempre de arriba a abajo y de izquierda a derecha. Para quitar manchas especialmente difíciles, utilice la boquilla desincrustante.

Autos, Barcas & Motocicletas

(con o sin detergente). Preenjuague el vehículo con agua limpia. Si utiliza Touchless Vehicle Wash de Kärcher, aplíquelo en la superficie a baja presión. Para obtener mejores resultados, limpie un lado del vehículo cada vez y aplique siempre el detergente de abajo a arriba. No deje que el detergente se seque sobre la superficie. Si es necesario, utilice un accesorio especial con cepillo de lavado (no incluido) para quitar la suciedad difícil. Enjuague a alta presión mediante un movimiento de barrido y manteniendo la boquilla pulverizadora a aprox. 6-8 pulgadas de la superficie a limpiar (la distancia se debe incrementar en el caso de que se enjuaguen superficies con ranuras u otras superficies delicadas). Limpie siempre de arriba a abajo y de izquierda a derecha. Para obtener mejores resultados, seque la superficie con una gamuza o un trapo suave y seco.

Parrillas, equipos con motor exteriores y herramientas de jardín

(con o sin detergente). Preenjuague la superficie a limpiar con agua limpia. Si utiliza Pressure Wash de Kärcher o Degreaser, aplique el detergente a baja presión. Deje el Pressure Wash sobre la superficie 1-3 minutos. No deje que el detergente se seque sobre la superficie. Enjuague a alta presión manteniendo la boquilla pulverizadora a aprox. 8-15 centímetros de la superficie a limpiar. Para quitar suciedad especialmente difícil, puede ser necesario tener que poner la boquilla pulverizadora más cerca para que la potencia de limpieza sea mayor.

Mobiliario de patios y jardines

(con o sin detergente). Preenjuague el mueble y el área circundante con agua limpia. Si utiliza Pressure Wash de Kärcher, aplíquelo a la superficie a baja presión. Deje el Pressure Wash sobre la superficie durante 1-3 minutos. No deje que se seque el detergente sobre la superficie. Si es necesario, utilice un accesorio especial con cepillo de lavado (no incluido) para quitar la suciedad difícil. Enjuague a alta presión mediante un movimiento de barrido, manteniendo la boquilla pulverizadora a aprox. 3-6 pulgadas de la superficie a limpiar. Para obtener mejores resultados, limpie de arriba a abajo y de izquierda a derecha.

Recomendaciones

- Antes de limpiar cualquier superficie, se debe limpiar una parte de la misma que no se vea para probar el ajuste del pulverizado y la distancia para obtener los mejores resultados de limpieza.
- Si las superficies pintadas se están pelando o desconchando, extreme las precauciones, ya que el limpiador a presión podría arrancar la pintura suelta de la superficie.
- Cuando se utilice en superficies que puedan entrar en contacto con comida, enjuáguelas abundantemente con agua potable.

Accesorios opcionales

Disponemos de accesorios de limpieza opcionales para mejorar la capacidad de limpieza. Estos accesorios son precisos desde la fecha de impresión de este manual. Consulte nuestra página Web www.karcher-usa.com/home para obtener información acerca de precios e información actualizada.

LOCALIZACIÓN Y REPARACIÓN DE AVERÍAS

ATENCIÓN

Quitar el cable de enchufe de chispas para evitar que el motor se encienda de forma involuntaria antes de realizar cualquier reparación

Síntoma	Causa	Solución
EL MOTOR NO ARRANCA	No hay gasolina	Llenar el depósito de gasolina
	El estrangulador no está en la posición correcta	Deslizar la palanca del estrangulador de la posición de cerrado
	Presión de agua formada en la máquina.	Apretar el gatillo para liberar presión
	Si tiene más problemas con el motor consulte el manual.	
LA UNIDAD NO LLEGA A LA ALTA PRESIÓN.	El diámetro de la manguera de jardín es demasiado pequeño.	Sustituir con una manguera de jardín de 5/8 pulgadas o más.
	El suministro de agua está restringido.	Compruebe si la manguera de jardín tiene grietas, fugas o si está obstruida
	El suministro de agua de entrada no es suficiente.	Abra el grifo de agua del todo. Compruebe si la manguera de jardín tiene grietas, fugas o si está obstruida
	El filtro de entrada de agua está obstruido.	Quite el filtro y enjuáguelo en agua caliente
	La boquilla de detergente negra está conectada.	Quitar la boquilla de detergente negra y colocar la boquilla para alta presión.
LA PRESIÓN DE SALIDA VARÍA ENTRE ALTA Y BAJA PRESIÓN.	El suministro de agua de entrada no es suficiente.	Abra el grifo de agua del todo. Compruebe si la manguera de jardín tiene grietas, fugas o si está obstruida.
	La bomba está succionando aire	Compruebe que las mangueras y conectores están bien apretados. Apague el aparato y purgue la bomba apretando la pistola de disparo hasta que salga un caudal constante de la boquilla
	El filtro de entrada de agua está obstruido.	Remueva el filtro y enjuáguelo en agua caliente
	La boquilla pulverizadora está obstruida	Limpie con aire comprimido o quite la suciedad con una aguja fina.
	Pistola, manguera o pulverizador telescópico calcificados	Vierta vinagre destilado por el tubo de succión de detergente

Síntoma	Causa	Solución
NO ENTRA DETERGENTE.	El tubo de succión de detergente no está correctamente conectado al aparato.	Compruebe la conexión
	El detergente está demasiado espeso	Diluya el detergente. Para obtener mejores resultados utilice detergente Kärcher
	El filtro del tubo de succión de detergente está obstruido	Deje correr agua caliente por el filtro para quitar la suciedad
	El tubo de succión de detergente está dañado u obstruido	Quite la obstrucción o reemplace el tubo de succión de detergente
	Está colocada una boquilla de alta presión	Sustituir por una boquilla de detergente negra.
	Válvula de medición cerrada	Abra la válvula de medición
	La boquilla pulverizadora está atascada.	Limpie con aire comprimido o quite la suciedad con una aguja fina.
LA CONEXIÓN DE LA MANGUERA DE JARDÍN FUGA.	Las conexiones están sueltas	Apriete las conexiones.
	No hay arandela de gaucho o está desgastada	Inserte una arandela nueva
EL PULVERIZADOR TELESCÓPICO FUGA	El pulverizador telescópico no está montado correctamente	Girar la ranura giratoria de la pistola en el sentido de las agujas del reloj hasta ajustar la conexión.
	Anillo tórico o inserción de plástico rotos.	Llame al Servicio de asistencia al cliente
LA BOMBA HACE RUIDO.	La bomba está succionando aire	Compruebe que las mangueras y conectores están bien apretados. Apague el aparato y purgue la bomba apretando la pistola de disparo hasta que salga un caudal constante de la boquilla

Si el síntoma que usted está experimentando no está en la lista de arriba, o si las soluciones aportadas no resuelven su problema, por favor visite nuestra extensa base de datos en línea de solución de problemas en:

www.karcherresidential.com/help

NETTOYEUR HAUTE PRESSION - MANUEL D'UTILISATION

Généralités	29
Consignes de sécurité importantes	29
Instructions de montage	31
Mode d'emploi	34
Utilisation des accessoires	35
Emploi de détergents	35
Prendre une pause	36
Arrêt de l'appareil et nettoyage	36
Remisage hivernal et entreposage à long terme	37
Consignes d'entretien	37
Conseils de nettoyage	37
Dépannage	39

Caractéristiques

G2600 XH	
Pression de fonctionnement	2600 PSI
Débit d'eau	2.5 GPM
Aspiration de détergent	.15 - .20 GPM
Moteur	Honda GC190
N° de pièce	1.107-154.0
N° de série	

G2800 XH	
Pression de fonctionnement	2800 PSI
Débit d'eau	2.5 GPM
Aspiration de détergent	.15 - .20 GPM
Moteur	Honda GC190
N° de pièce	1.107-155.0
N° de série	

Symboles d'alerte de sécurité

DANGER

Identifie "une situation de danger imminent qui, si elle n'est pas évitée, entraîne la mort ou des blessures graves" ..

AVERTISSEMENT

Identifie "une situation de danger potentiel qui, si elle n'est pas évitée, pourrait entraîner la mort ou des blessures".

ATTENTION

Identifie "une situation de danger potentiel qui, si elle n'est pas évitée, peut éventuellement entraîner des blessures légères ou modérées" ou des dommages matériels.

Responsabilité du propriétaire/ de l'utilisateur

Avant d'utiliser ce nettoyeur pression, le propriétaire et/ou l'utilisateur doit impérativement avoir pris connaissance des consignes d'utilisation et mises en garde du fabricant. Il est nécessaire d'insister sur les avertissements et de les comprendre. Si l'utilisateur ne parle pas couramment l'anglais, l'acheteur/le propriétaire doit lire les consignes et mises en garde du fabricant avec l'utilisateur dans la langue maternelle de ce dernier et s'assurer qu'il en comprend bien le contenu. Le propriétaire et/ou l'utilisateur doit se familiariser avec les consignes du fabricant et les conserver afin de pouvoir s'y référer ultérieurement

Service à la clientèle aux États-Unis de EE.UU./Canada

Appeler : **1-800-537-4129** pour obtenir de l'aide ou visiter notre site Web :

www.karcherresidential.com/home

Prenez quelques minutes pour enregistrer votre nettoyeur pression en ligne à l'adresse suivante

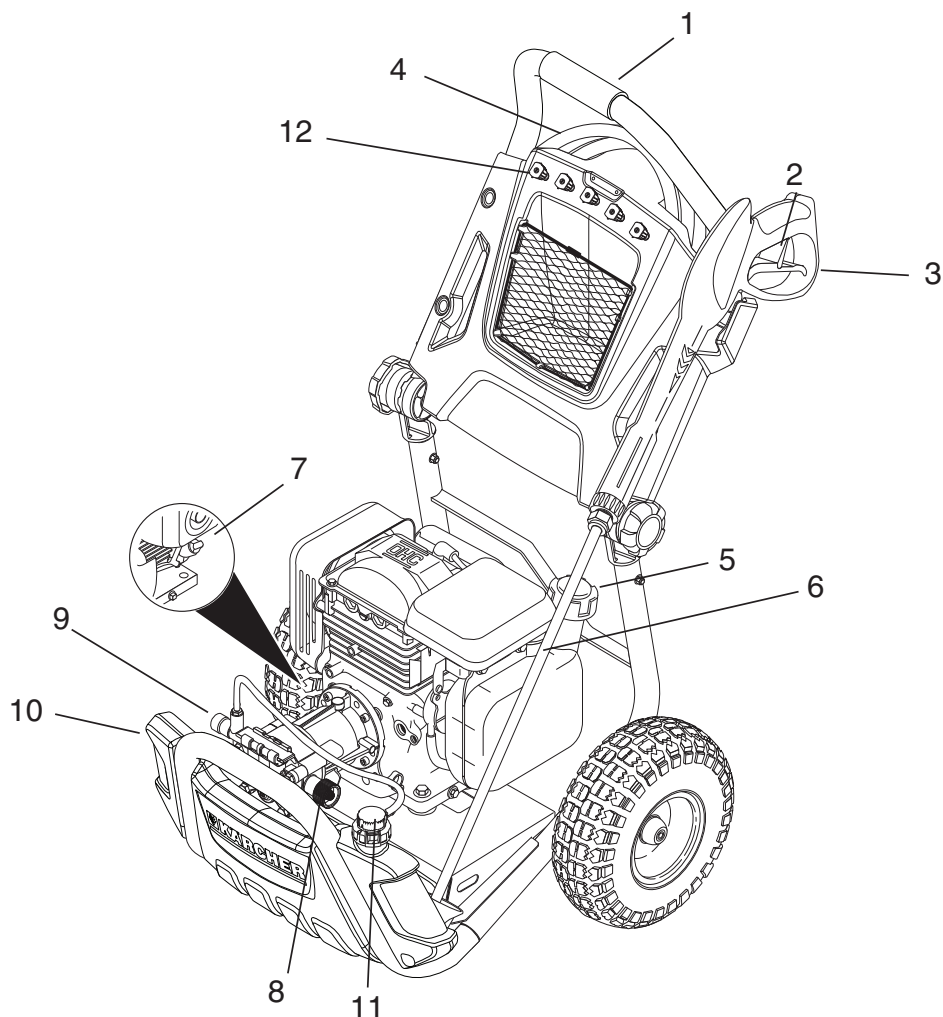
www.karcherresidential.com/warranty

Assistance Kärcher Mexique

Appeler : **01-800-024-13-13** pour obtenir de l'aide

ou visiter notre site Web : **www.karcher.com.mx**

GÉNÉRALITÉS



- | | | | |
|---|---|----|--|
| 1 | Poignée | 8 | Entrée d'eau avec raccord pour tuyau d'arrosage |
| 2 | Poignée-pistolet | 9 | Prise haute pression à connexion rapide |
| 3 | Verrouillage de sécurité de la poignée-pistolet | 10 | Réservoir de détergent |
| 4 | Tuyau à haute pression | 11 | Tuyau d'aspiration de détergent avec valve de dosage |
| 5 | Réservoir à essence | 12 | Buses à connexion rapide |
| 6 | Lance | | |
| 7 | Jauge à huile | | |

Pour de plus amples informations à propos du moteur, reportez-vous au manuel du moteur

CONSIGNES DE SÉCURITÉ IMPORTANTES

■ Avant la mise en service, lire le mode d'emploi du constructeur du moteur et en particulier respecter les consignes de sécurité.

AVERTISSEMENT

En utilisant ce produit, toujours observer une certaine prudence élémentaire, incluant notamment:

■ Lire toutes les instructions de service avant d'utiliser l'appareil.

■ Afin de minimiser les risques de blessure, ne jamais laisser l'appareil sans surveillance lorsque celui-ci est utilisé à proximité d'enfants.

■ Il est impératif de savoir arrêter et mettre l'appareil hors pression rapidement. Une connaissance approfondie des commandes est nécessaire.

CONSIGNES DE SÉCURITÉ IMPORTANTES

- *Rester attentif – se concentrer sur la tâche en cours.*
- *L'utilisateur ne doit jamais faire usage de l'appareil lorsqu'il est fatigué ou sous l'emprise d'alcool ou de drogues*
- *Veiller à ce qu'aucun individu ne se trouve dans la zone de travail.*
- *Ne jamais passer ou monter sur des supports instables. Toujours rester stable et équilibré.*
- *Le port de lunettes de protection est obligatoire.*
- *Respecter les consignes d'entretien figurant dans le manuel.*
- *Afin d'éviter tout danger, seul le service après-vente agréé est habilité à effectuer des réparations ou à monter des pièces de rechange sur l'appareil.*
- *Avant de corriger la pression des pneus, contrôler si les 4 écrous des jantes sont bien serrés.*
- *Avant de corriger la pression des pneus, régler le réducteur de pression sur le compresseur sur 25 psi.*
- *La pression des pneus ne doit pas dépasser 25 psi max.*



AVERTISSEMENT

Risque de projection ou de blessure – Ne pas diriger le jet de vapeur en direction d'individus.

- *En cas d'utilisation incorrecte, les jets haute pression peuvent être dangereux. Ne jamais diriger les jets de vapeur en direction d'individus, d'animaux, de dispositifs électriques ou de l'appareil lui-même*
- *Ne pas vaporiser les branchements électriques, les prises ou les ferrures*



AVERTISSEMENT

Risque d'explosion – Ne pas vaporiser de liquides inflammables

- *N'utiliser en aucun cas d'acides, de solutions alcalines, de solvants ou de produits inflammables dans cet appareil. Ces produits peuvent être à l'origine de blessures graves ou d'endommagement irréversible de l'appareil.*



AVERTISSEMENT

Le pistolet génère une force de propulsion Le maintenir toujours à deux mains.

- *Le dispositif de sécurité de la poignée-pistolet permet d'éviter tout actionnement accidentel de la gâchette. Ce dispositif de sécurité NE verrouille PAS la gâchette en position marche (ON).*



AVERTISSEMENT

L'échappement moteur de ce produit contient des produits chimiques connus de l'Etat de Californie qui provoquent le cancer, des malformations congénitales et d'autres dommages de reproduction.



ATTENTION

Risque d'asphyxie – Utiliser l'appareil uniquement dans des zones bien ventilées.

- *Utiliser et faire le plein de l'appareil exclusivement dans une zone bien ventilée, exempte de dispositifs à veilleuse ou présentant une flamme vive, tels que les chaudières, les chauffe-eau, etc*



ATTENTION

Risque d'incendie – Ne jamais faire l'appoint d'essence lorsque l'appareil est en fonctionnement..

- *Ne pas utiliser l'appareil si de l'essence a été renversée. Dans ce cas, déplacer l'appareil vers un autre endroit en veillant à ne pas créer d'étincelles*
- *La machine présente des surfaces chaudes. Tout contact avec ces dernières peut être source de brûlures. Utiliser l'appareil dans un lieu sûr et à l'écart des enfants*
- *Eviter de toucher les surfaces chaudes ou de mettre des accessoires en contact avec ces dernières*
- *Le flexible haute pression ne doit jamais entrer en contact avec le carter de l'échappement*
- *Ne jamais laisser l'appareil en service sans surveillance*
- *Eviter de faire basculer l'appareil sur le côté*

CONSERVER CES INSTRUCTIONS!

ALIMENTATION EN EAU (eau froide uniquement)

ATTENTION

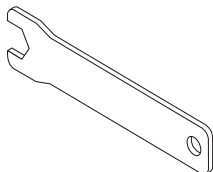
Lors du raccordement de l'arrivée d'eau à la conduite principale d'alimentation en eau, respecter les réglementations locales de votre société de distribution d'eau. Dans certaines zones, il est interdit de raccorder directement l'appareil au système public d'alimentation en eau potable. Cette mesure est destinée à éviter toute infiltration de produits chimiques dans le circuit d'alimentation en eau. Toutefois, l'appareil peut être raccordé par exemple à un réservoir collecteur ou à un disconnecteur hydraulique. Les impuretés contenues dans l'eau d'alimentation peuvent endommager l'appareil. Afin d'éviter les risques d'endommagement, nous recommandons l'emploi d'un filtre à eau.

- *Le tuyau d'arrosage doit avoir un diamètre minimum de 5/8 pouces.*

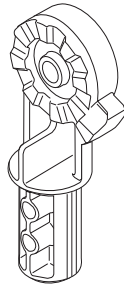
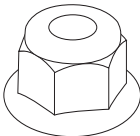
- Le débit de l'alimentation en eau ne doit pas être inférieur à 2,5 GPM (gallons par minute).
- Pour calculer le débit, faire couler l'eau pendant une minute dans un récipient vide d'une contenance de 5 gallons
- La température de l'eau d'alimentation ne doit pas excéder 104 °F/40 °C.
- Ne jamais aspirer d'eau contaminée par des solvants, par exemple des diluants pour peinture, de l'essence, de l'huile, etc..
- Toujours utiliser une source d'eau propre afin d'éviter toute infiltration de débris dans l'appareil. Utiliser un filtre à eau supplémentaire
- Ne pas mettre le nettoyeur pression en service lorsque l'arrivée d'eau n'est pas ouverte.

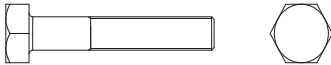
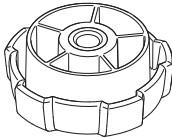
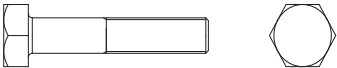
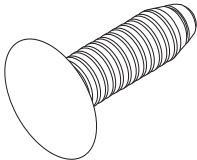
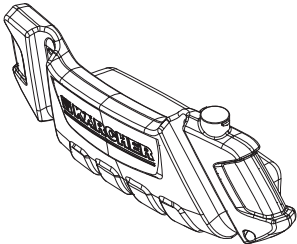
INSTRUCTIONS DE MONTAGE

Outils requis (non fournis)

Description	Illustration
7/16" (or 11mm) Clé estampillé	

Quincaillerie (fournie)

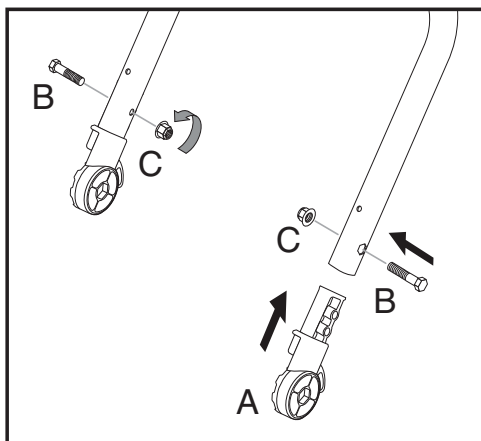
	Description	Usage	Illustration	Qté.
A	Joint	Ensemble de joint		2
B	Écrou de 1/4" po	Ensemble de joint		6

	Description	Usage	Illustration	Qtè
C	Boulon de 1/4 po	Ensemble de joint		6
D	Bouton	Ensemble de joint		2
E	Boulon de 3/8" po	Ensemble de joint		2
F	Rivet en nylon	Assemblage de support de buse		4
G	Rèservoir	Rèservoir de dètergent		1

Assemblage

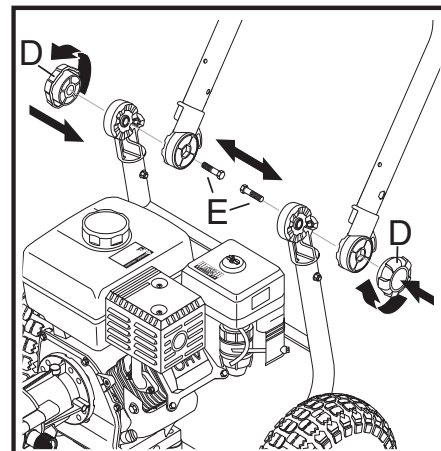
→ ETAPE 1:

Posez les joints (A) à la poignée. Utilisez un boulon de 1/4 po (C) et serrez-le avec un écrou de 1/4 po (B) de chaque côté. Serrez les pièces à la main à l'aide d'une clé à douille de 7/16 po (ou 11mm).



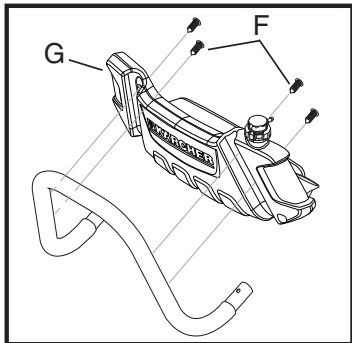
→ ETAPE 2:

Attachez la poignée au cadre de la laveuse à pression. Alignez les trous, insérez un boulon de 5/16 po (E) et serrez le bouton (D) de chaque côté.



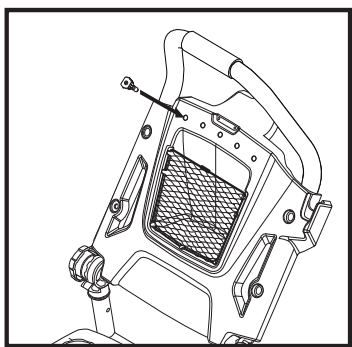
→ **ETAPE 3:**

Monter le réservoir à détergent avec du nylon closrivets au pare-chocs.



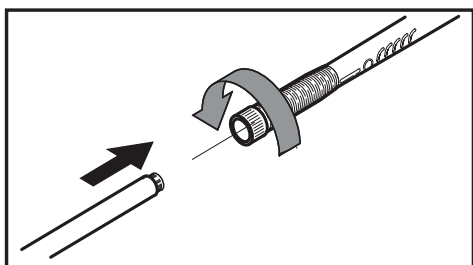
→ **ETAPE 4:**

Placer la buse à connexion rapide dans le support de buse.



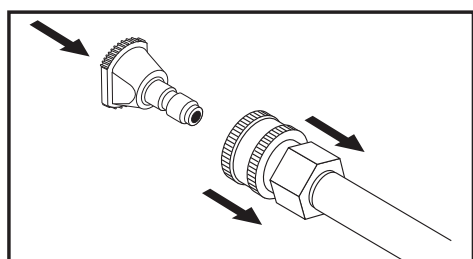
→ **ETAPE 5:**

Fixer la lance au pistolet.

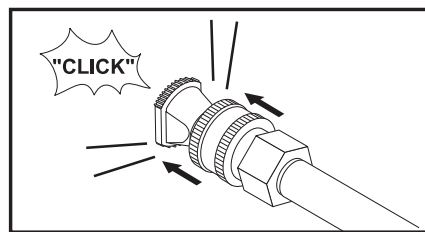


→ **ETAPE 6:**

Pousser le collier à ressort de la lance pour connecter la buse à connexion rapide de votre choix. la boquilla rápida de conexión elegida



Relâcher le collier et enfoncer la buse jusqu'à ce que le collier s'enclenche.



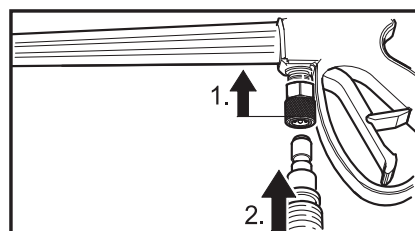
⚠ **AVERTISSEMENT**

Haute pression dans la zone de la buse. Risque de blessure en cas de fixation incorrecte de la buse.

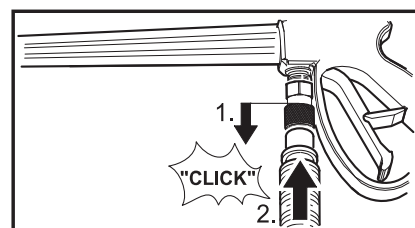
- *Un clic doit être audible lors de l'insertion de la buse dans la lance.*
- *Avant de mettre l'appareil en service, enfoncer la buse afin de s'assurer qu'elle est correctement fixée*

→ **ETAPE 7:**

Ramener en arrière le collier à ressort du pistolet et insérer le flexible haute pression.



Relâcher le collier et enfoncer le flexible haute pression jusqu'à ce que le collier s'enclenche



⚠ **AVERTISSEMENT**

Haute pression dans la zone de connexion rapide. Risque de blessure en cas de fixation incorrecte du flexible haute pression

- *Un clic doit être audible lors de l'insertion du flexible haute pression dans la connexion rapide*
- *Avant de mettre l'appareil en service, tirer sur le flexible haute pression afin de s'assurer qu'elle est correctement fixée.*

⚠ ATTENTION

Le moteur est expédié sans huile. Avant de lancer le moteur, faire le plein d'huile. Eviter de trop remplir. Ne jamais démarrer le moteur si le niveau d'huile est insuffisant ou excessif sous peine d'endommager le moteur. *Pour de plus amples informations à propos du moteur, se reporter au manuel du moteur fourni avec l'appareil.*

➔ ETAPE 1:

Contrôler le niveau d'huile. Le niveau d'huile doit toujours être compris entre les repères "FULL" (plein) et "ADD" (ajout) de la jauge. Vérifier que la machine est à l'horizontale lors du contrôle du niveau d'huile. (Se reporter au manuel d'utilisation du moteur pour connaître les différentes qualités d'huile à utiliser en fonction des saisons.)

Nous recommandons de changer l'huile au terme des 5 premières heures de fonctionnement puis toutes les 50 heures.

➔ ETAPE 2:

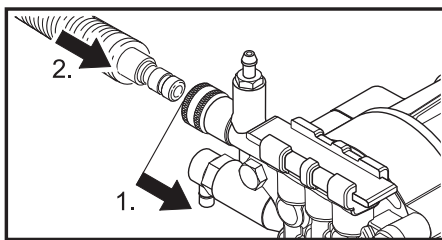
Remplir le réservoir à essence avec de l'essence sans plomb.

Ne pas utiliser d'essence au plomb.

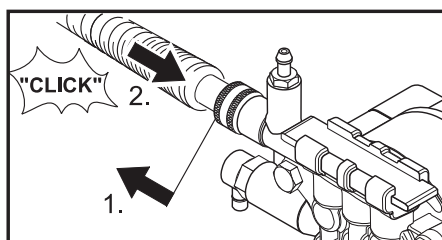
Ne pas ajouter d'huile à l'essence.

➔ ETAPE 3:

Ramener le collier à ressort en arrière à la prise haute pression et insérer le flexible haute pression.



Relâcher le collier et enfoncer le flexible haute pression jusqu'à ce que le collier s'enclenche.



⚠ AVERTISSEMENT

Haute pression dans la zone de connexion rapide. Risque de blessure en cas de fixation incorrecte du flexible haute pression.

- Un clic doit être audible lors de l'insertion du flexible haute pression dans la connexion rapide.
- Avant de mettre l'appareil en service, tirer sur le flexible haute pression afin de s'assurer qu'elle est correctement fixée.

➔ ETAPE 4:

Raccorder le tuyau d'arrosage à l'entrée d'eau de l'appareil.

➔ ETAPE 5:

Raccorder le tuyau d'arrosage à la source d'eau froide et ouvrir complètement le robinet.

Ne pas utiliser d'eau chaude.

➔ ETAPE 6:

Déverrouiller la sécurité de la poignée-pistolet. Appuyer sur la gâchette pour purger l'air jusqu'à obtenir un jet d'eau régulier à la lance.

➔ ETAPE 7:

Ouvrir la vanne d'essence. Positionner la tige d'étrangleur sur ON (si le moteur est chaud, laisser la tige d'étrangleur sur OFF).

➔ ETAPE 8:

Mettre le commutateur d'arrêt du moteur sur ON.

Pour de plus amples informations à propos du moteur, reportez-vous au manuel du moteur.

➔ ETAPE 9:

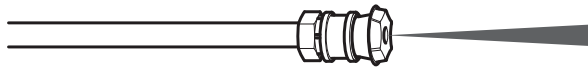
Tirer la poignée du starter. Si le moteur ne démarre pas après 3 tentatives, appuyez sur la gâchette du pistolet de manière à libérer la pression puis recommencer l'opération. Une fois que le moteur est suffisamment chaud et tourne régulièrement, mettre la tige d'étrangleur sur OFF.

UTILISATION DES ACCESSOIRES

Buses à connexion rapide

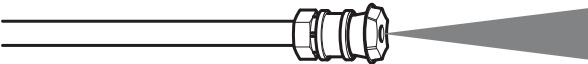
Les buses à connexion rapide sont repérées via un code chromatique. Elles offrent un large éventail de largeurs de jet, de 0° à 65°, et sont facilement accessibles lorsqu'elles sont rangées dans le support à buses en caoutchouc.

Angle de vaporisation 0° = buse rouge
Pour accumulation de saletés particulièrement tenaces. **Déconseillée** pour les matériaux tendres tels que les parements, les terrasses, les surfaces peintes, les voitures



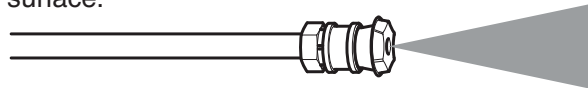
Angle de vaporisation 15° = buse jaune

Pour l'accumulation de saletés sur une surface.

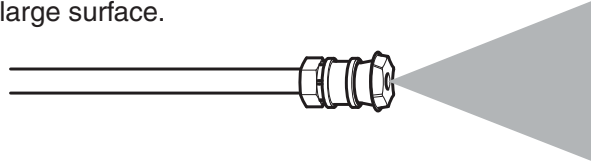


Angle de vaporisation 25° = buse verte

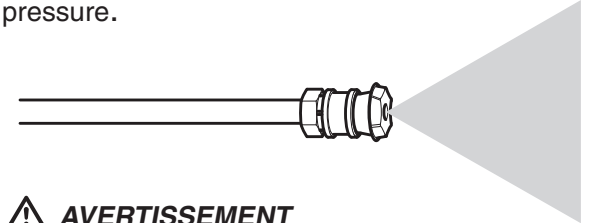
Pour l'accumulation de saletés sur une large surface.



Angle de vaporisation 40° = buse blanche
Pour l'accumulation modérée de saletés sur une large surface.



Angle de vaporisation 65° = buse à détergent noire
For operating with detergents or cleaning with low pressure.



⚠ AVERTISSEMENT

Haute pression dans la zone de la buse. Risque de blessure en cas de fixation incorrecte de la buse.

- Un clic doit être audible lors de l'insertion de la buse dans la lance.
- Avant de mettre l'appareil en service, enfoncer la buse afin de s'assurer qu'elle est correctement fixée.

(INSTRUCTIONS DE MONTAGE: étape 9)

⚠ AVERTISSEMENT.

Afin d'éviter de graves blessures, ne jamais pointer la lance sur soi-même, d'autres personnes ou des animaux.

EMPLOI DE DÉTERGENTS

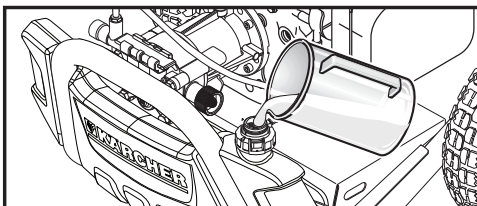
Utilisez uniquement la buse à détergent noire pour l'usage de détergents

→ ETAPE 1:

Installer la buse à détergent noire pour procéder à un nettoyage au détergent (fonctionne à basse pression uniquement).

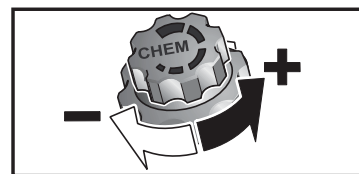
→ ETAPE 2:

Remplir le réservoir à détergent avec du détergent Kärcher. Refermer le réservoir à détergent à l'aide de la bouchon de dosage du détergent.



→ ETAPE 3:

Régler la valve de dosage du détergent pour obtenir le mélange voulu.



→ ETAPE 4:

Lorsque le moteur tourne, enfoncer la gâchette pour actionner l'appareil. Le détergent est aspiré dans l'appareil et se mélange à l'eau. Laisser agir le détergent sur la surface à nettoyer. Veiller à ce que le détergent ne sèche pas.

→ ETAPE 5:

Une fois les travaux de nettoyage terminés, **toujours** rincer le réservoir à détergent à l'eau propre afin d'éliminer les éventuels résidu de détergent du système d'injection.

Pour obtenir les meilleurs résultats, voir les conseils donnant des informations propres au nettoyage des différents types de surfaces.

Détergents

⚠ ATTENTION

Observer les instructions de maintenance figurant dans le présent manuel. Cette machine a été conçue pour être utilisée avec des détergents du fabricant. L'utilisation d'autres détergents peut altérer le fonctionnement de la machine et annuler la garantie.

Toujours utiliser les détergents Kärcher pour produire les meilleurs résultats.

Les détergents biodégradables de Kärcher sont spécialement élaborés pour ménager l'environnement et le nettoyeur à haute pression. La formule spéciale évite d'encrasser le filtre du tuyau d'aspiration et protège les pièces internes du nettoyeur à haute pression pour en prolonger la durée de vie. Pour obtenir des détergents Kärcher, s'adresser au revendeur ou appeler le service après-vente.

Pour une liste plus complète de détergents Kärcher, s'il vous plaît visitez le site:

[www.karcherresidential.com / détergents](http://www.karcherresidential.com/detergents)

⚠ ATTENTION

Ne jamais utiliser :

- javellisant, produits à base de chlore et autres produits chimiques corrosifs
- liquides contenant des solvants (p.ex. diluants pour peintures, essence, huiles)
- produits à base de trisodium de phosphate
- produits à base d'ammoniaque
- produits à base d'acide

Ces produits chimiques endommagent l'appareil et altèrent la surface à nettoyer

L'utilisation de ces produits entraînera l'annulation de la garantie.

PRENDRE UNE PAUSE ...cinq minutes ou plus

→ ETAPE 1:

Mettre le commutateur d'arrêt du moteur sur OFF.

Pour de plus amples informations à propos du moteur, reportez-vous au manuel du moteur

→ ETAPE 2:

Relâcher la gâchette et engager le verrouillage de sécurité du pistolet.

ARRÊT DE L'APPAREIL ET NETTOYAGE

→ ETAPE 1:

Retirer le tuyau d'aspiration de détergent du récipient et ajouter 1 gallon d'eau fraîche. Siphonner l'eau à basse pression pendant une minute.

→ ETAPE 2:

Mettre le commutateur d'arrêt du moteur sur OFF. Fermer la vanne d'essence.

→ ETAPE 3:

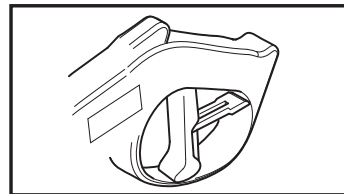
Fermer l'arrivée d'eau.

→ ETAPE 4:

Appuyer sur la gâchette pour évacuer la pression de l'eau.

→ ETAPE 5:

Relâcher la gâchette et engager le verrouillage de sécurité du pistolet.



→ ETAPE 6:

Débrancher le tuyau d'arrosage de l'entrée d'eau sur l'appareil.

→ ETAPE 7:

Débrancher le tuyau à haute pression de la sortie haute pression.

REMISAGE HIVERNAL ET ENTREPOSAGE A LONG TERME

- **1:** Débrancher tous les raccordements d'eau
- **2:** Mettre l'appareil en marche pendant quelque secondes pour évacuer toute l'eau restant dans les pompes, puis l'arrêter immédiatement.
- **3:** Ne pas laisser le tuyau d'arrosage tordu.
- **4:** Ranger l'appareil et les accessoires dans une pièce à l'abri du gel. NE PAS stocker près d'un fourneau ou d'autres sources de chaleur, afin d'éviter un dessèchement des joints de la pompe.

ATTENTION

L'inobservation des instructions ci-dessus cause des dégâts au bloc-pompe et aux accessoires en outre, d'entraîner l'annulation de la garantie . Kärcher recommande d'utiliser correctement un dispositif de protection de pompe tel que "Kärcher Pump Guard" afin de garantir un meilleur stockage au cours de l'hiver.

CONSIGNES D'ENTRETIEN

Pompe Kärcher

Première utilisation

Toutes les pompes Kärcher sont remplies d'huile d'usine. Il est inutile de rajouter de l'huile.

Contrôle de la pompe

Contrôler régulièrement l'état de la pompe du nettoyeur pression (contrôle visuel). En cas de fuite d'huile au niveau des joints d'étanchéité de la pompe, faire réparer le nettoyeur vapeur dans un centre de service agréé Kärcher. (Pour trouver le centre de service le plus proche, se rendre à l'adresse www.karcher-usa.com/service).

Entretien de la pompe

La pompe du nettoyeur pression Kärcher ne requiert pas d'entretien. Toute tentative d'entretien risque d'altérer la pompe, d'endommager le nettoyeur pression et, en outre, d'entraîner l'annulation de la garantie.

Moteur

Effectuer les opérations d'entretien du moteur en respectant les spécifications figurant dans les instructions de service du fabricant du moteur.

CONSEILS DE NETTOYAGE

Terrasses en bois

(avec ou sans détergent). Commencer par un prérinçage de la terrasse et des abords à l'eau fraîche. S'il est prévu d'utiliser du détergent pour terrasses et clôtures en bois Kärcher, l'appliquer à basse pression. Pour obtenir de meilleurs résultats, limiter la surface de travail à environ 2,3 mètres carrés. Laisser le détergent agir 1-3 minutes sur la surface. Ne pas laisser sécher. Rincer à haute pression d'un ample mouvement de balayage en maintenant la buse à environ 7,5-15 cm de la surface à nettoyer. Toujours nettoyer de haut en bas et de gauche à droite. En entamant une nouvelle section de la surface à nettoyer, veiller à chevaucher la section précédente afin de ne pas laisser de marques et d'assurer un résultat uniforme.

Revêtements de façades

(avec ou sans détergent) Commencer par un prérinçage à l'eau fraîche. S'il est prévu d'utiliser du nettoyeur à pression Kärcher, l'appliquer à basse pression sur la surface (pour obtenir de meilleurs résultats, limiter la surface de travail à des sections d'environ 1,8 mètre et toujours appliquer le détergent de bas en haut). Laisser le détergent agir 1- 3 minutes sur la surface. Ne pas laisser sécher. Si la surface semble sécher, il suffit de la mouiller avec de l'eau fraîche. Au besoin, utiliser l'embout spécial à brosse de lavage (non compris) pour éliminer la saleté tenace. Rincer à haute pression de haut en bas d'un mouvement de balayage régulier en maintenant la buse à environ 15 cm de la surface à nettoyer.

Patios de ciment, briques et pierres

(avec ou sans détergent) Commencer par un prérinçage à l'eau fraîche. S'il est prévu d'utiliser du nettoyeur haute pression ou du dégraissant Kärcher, l'appliquer à basse pression. Pour obtenir de meilleurs résultats, limiter la surface de travail à environ 2,3 mètres carrés. Laisser le nettoyeur haute pression ou le dégraissant agir 1-3 minutes sur la surface. Ne pas laisser sécher. Rincer à haute pression d'un mouvement de balayage en maintenant la buse à environ 7,5-15 cm de la surface à nettoyer. Toujours nettoyer de haut en bas et de gauche à droite. Pour éliminer la saleté extrêmement tenace, utiliser la lance rotative.

Autos, bateaux et motos

(avec ou sans détergent) Commencer par un prérinçage du véhicule à l'eau fraîche. S'il est prévu d'utiliser du détergent pour véhicules Kärcher, l'appliquer à basse pression. Pour obtenir de meilleurs résultats, nettoyer un côté du véhicule après l'autre et toujours appliquer le détergent de bas en haut. Ne pas laisser sécher. Au besoin, utiliser l'embout spécial à brosse de lavage (non compris) pour éliminer la saleté tenace. Rincer à haute pression d'un mouvement de balayage en maintenant la buse à environ 15-20 cm de la surface à nettoyer (augmenter la distance pour des surfaces fragiles). Toujours nettoyer de haut en bas et de gauche à droite. Pour obtenir de meilleurs résultats, essuyer la surface avec une peau de chamois ou un chiffon doux.

Grilles de barbecue, équipements mécaniques d'extérieur et outils de jardinage

(avec ou sans détergent). Commencer par un prérinçage à l'eau fraîche. S'il est prévu d'utiliser du nettoyeur haute pression ou du dégraissant Kärcher, l'appliquer à basse pression. Laisser le détergent agir 1-3 minutes sur la surface. Ne pas laisser sécher. Rincer à haute pression en maintenant la buse à environ 7,5-15 cm de la surface à nettoyer. Pour éliminer la saleté extrêmement tenace, il peut s'avérer nécessaire d'approcher la buse plus près de la surface afin d'augmenter l'efficacité du nettoyage.

Meubles de patio et de jardin

(avec ou sans détergent) Commencer par un prérinçage des meubles et des abords à l'eau fraîche. S'il est prévu d'utiliser du nettoyeur haute pression Kärcher, l'appliquer à basse pression. Laisser le détergent agir 1-3 minutes sur la surface. Ne pas laisser sécher. Au besoin, utiliser l'embout spécial à brosse de lavage (non compris) pour éliminer la saleté tenace. Rincer à haute pression d'un mouvement de balayage en maintenant la buse à environ 7,5-15 cm de la surface à nettoyer. Pour obtenir de meilleurs résultats, nettoyer de haut en bas et de gauche à droite.

Recommandations

- Avant de nettoyer une quelconque surface, procéder à un essai sur une petite surface discrète pour déterminer le mode d'action et la distance qui produiront les meilleurs résultats de nettoyage.
- Si des surfaces peintes s'écaillent, procéder avec une extrême précaution car le nettoyage à haute pression peut détacher la peinture à ces endroits.
- Rincer abondamment à l'eau potable les surfaces traitées pouvant éventuellement entrer en contact avec de la nourriture.

Accessoires optionnels

Des accessoires sont disponibles en option afin d'augmenter encore l'efficacité du nettoyage : Ces accessoires sont disponibles à la date d'impression du présent catalogue. Veuillez consulter notre site Web www.karcher-usa.com/home pour de plus amples informations sur les prix et les nouveautés.

- Rallonge
- Buse Dirtblaster

DÉPANNAGE

ATTENTION

Avant de procéder aux réparations, débrancher toujours le câble de la bougie d'allumage afin d'éviter tout démarrage accidentel du moteur.

SYMPTÔME	CAUSE	SOLUTION
LE MOTEUR NE DÉ-MARRE PAS	Réservoir d'essence vide	Remplir le réservoir d'essence
	Le levier d'étrangleur n'est pas dans la bonne position.	Déplacer le levier d'étrangleur dans la position fermée.
	La pression de l'eau augmente dans la machine.	Enfoncer la gâchette pour libérer la pression.
	Pour les autres problèmes relatifs au moteur, se reporter au manuel du moteur.	
L'APPAREIL N'ATTEINT PAS LE NIVEAU DE HAUTE PRESSION.	Diamètre du tuyau d'arrosage insuffisant.	Remplacer par un tuyau d'arrosage de 5/8" ou plus.
	Débit d'eau restreint.	Vérifier si le tuyau d'arrosage est tordu, s'il présente des fuites ou est bouché.
	Alimentation d'eau insuffisante.	Ouvrir le robinet d'eau à fond. Vérifier si le tuyau d'arrosage est tordu, s'il présente des fuites ou est bouché.
	Filtre d'admission d'eau encrassé.	Retirer le filtre et le rincer à l'eau tiède.
	La buse à détergent noire est connectée.	Retirer la buse à détergent noire et la remplacer par la buse haute pression
LA PRESSION DE SORTIE VARIE.	Alimentation d'eau insuffisante.	Ouvrir le robinet d'eau à fond. Vérifier si le tuyau d'arrosage est tordu, s'il présente des fuites ou est bouché
	Pompe aspirant de l'air.	Vérifier l'étanchéité des tuyaux et raccords. Arrêter l'appareil et purger la pompe en appuyant sur la gâchette jusqu'à obtenir un jet d'eau régulier à la sortie de la buse.
	Filtre d'admission d'eau encrassé.	Retirer le filtre et le rincer à l'eau tiède.
	La buse de vaporisation est obstruée.	Souffler dans la buse ou retirer le débris à l'aide d'une aiguille.
	Calcification du pistolet, du tuyau ou de la lance.	Faire couler du vinaigre distillé dans le tube d'aspiration de détergent.

SYMPTÔME	CAUSE	SOLUTION
IL N'Y A PAS DE DÉ- TERGENT.	Tube d'aspiration de détergent mal raccordé à l'appareil.	Vérifier le raccord.
	Détergent trop épais.	Diluer le détergent; pour de meilleurs résultats, utiliser du détergent Kärcher.
	Filtre ou tube d'aspiration de détergent obstrué.	Faire couler de l'eau tiède à travers le filtre pour éliminer les débris.
	Tube d'aspiration de détergent endommagé ou obstrué	Éliminer l'obstruction ou remplacer le tube d'aspiration de détergent.
	La buse haute pression est installée	La remplacer par la buse à détergent noire
	Valve de dosage fermée.	Ouvrir la valve de dosage.
	La buse de vaporisation est obstruée.	Souffler dans la buse ou retirer le débris à l'aide d'une aiguille.
LE RACCORD DU TUYAU D'ARROSAGE FUIT.	Raccords desserrés.	Serrer les raccords.
	Rondelle caoutchouc perdue ou usée.	Monter une nouvelle rondelle.
LA LANCE FUIT.	Lance mal fixée.	Tourner l'écrou du pistolet dans le sens des aiguilles d'une montre jusqu'à ce que le raccord soit bien serré.
	Joint torique ou insert plastique brisé.	Appeler le service après-vente.
LA POMPE EST BRUYANTE.	Pompe aspirant de l'air.	Vérifier l'étanchéité des tuyaux et raccords. Arrêter l'appareil et purger la pompe en appuyant sur la gâchette jusqu'à obtenir un jet d'eau régulier à la sortie de la buse.
LA POMPE PRÉSENTE DES FUITES D'EAU (JUSQU'À 10 GOUTTES PAR MINUTE SONT ADMISSIBLES).	Raccords desserrés.	Serrer les raccords.
	Joints d'eau endommagés ou usés.	Appeler le service après-vente.
	Le dispositif de protection thermique est activé.	Le dispositif de protection thermique se réinitialisera automatiquement. Ne pas faire fonctionner la pompe plus de 5 minutes sans actionner le pistolet de vaporisation.
DE L'HUILE S'ÉGOUTTE.	Joints d'huile endommagés ou usés.	Appeler le service après-vente.

Si le symptôme que vous rencontrez n'est pas listé ci-dessus, ou si les solutions proposées ne résolvent pas votre problème, s'il vous plaît visitez notre vaste base de données en ligne de dépannage à:

www.karcherresidential.com/help