  
**INSTRUCTIONS**

This manual contains important warnings and information.  
**READ AND RETAIN FOR REFERENCE**

# OWNER'S MANUAL

## 824-001

Rev D

Supercedes Rev. C

## HYDRA-CLEAN™ 2000, 2800

### Pressure Washers

#### Hydra-clean 2000

824-006 Series A

2000 psi (138 bar) Operating Pressure

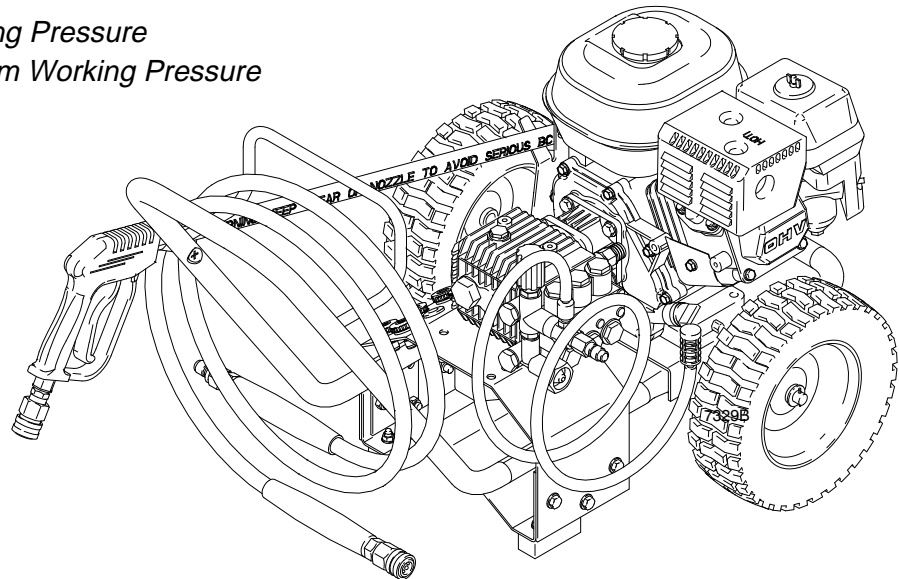
2400 psi (165 bar) Maximum Working Pressure

#### Hydra-clean 2800

824-007, Series A

2800 psi (193 bar) Operating Pressure

3200 psi (225 bar) Maximum Working Pressure



Model 824-006

# Table of Contents

Warnings .....	2
Installation .....	4
Operation .....	5
Troubleshooting .....	9
804–544 Pump Service .....	11
804–559 Pump Service .....	13
Accessories .....	15
Technical Data .....	15
Parts List & Drawing	
Hydra-clean 2000 Pressure Washer .....	16
Hydra-clean 2800G Pressure Washer .....	18
Pump Assembly Model 804–544 .....	20
Pump Assembly Model 804–559 .....	22
Warranty .....	24

## Warning Symbol



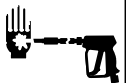
This symbol alerts you to the possibility of serious injury or death if you do not follow the instructions.

## Caution Symbol



This symbol alerts you to the possibility of damage to or destruction of equipment if you do not follow the instructions.

# ! WARNING



## INJECTION HAZARD

Spray from the gun, leaks or ruptured components can inject fluid into your body and cause serious injury. Fluid splashed in the eyes or on the skin can also cause serious injury.

- Fluid injected into the skin may look like just a cut, but it is a serious injury. **Get emergency medical attention.**
- Do not point gun at anyone or at any part of body.
- Do not stop or deflect leaks with hand, body, glove or rag.
- Do not put hand or fingers over spray tip.
- Tighten fluid connections before starting equipment.
- Engage the gun trigger safety whenever you stop spraying.
- Follow **Pressure Relief Procedure** on page 5 if spray tip clogs and before cleaning, checking or servicing equipment.
- Repair or replace worn or damaged parts immediately.
- Check hoses, tubes, and coupling daily. Do not repair high pressure couplings: replace entire hose. Fluid hoses must have spring guards on both ends to prevent kinks and rupture.

# WARNING



## HAZARDOUS FLUIDS

Improper handling of hazardous fluids can cause serious injury, even death, due to splashing in eyes, ingestion or bodily contamination.

- Know specific hazards of fluid being used.
- Store hazardous fluids in approved containers. Dispose of hazardous fluids per local, state and national guidelines.
- Wear protective eyewear, gloves, clothing, and respirator as recommended by the fluid manufacturer.



## FUEL HAZARD

The fuel used in this unit is combustible and when spilled on a hot surface can ignite and cause a fire.

- Do not fill the fuel tank while the engine is running or hot.



## EXHAUST HAZARD

The exhaust contains poisonous carbon dioxide which is colorless and odorless.

- Do not operate this equipment in a closed building.



## EQUIPMENT MISUSE HAZARD

Misuse of the pressure washer or accessories may cause them to rupture and result in fluid injection, splashing in the eyes or on the skin, or other serious injury.

- Do not alter or modify any part or factory-set adjustment of this equipment.
- Do not exceed the maximum working pressure of any component or accessory in the system.
- Do not use any chemicals that are incompatible with the wetted parts as stated in the Technical Data.
- Do not alter throttle setting.

# Installation

## Typical Installation – Pressure Washer

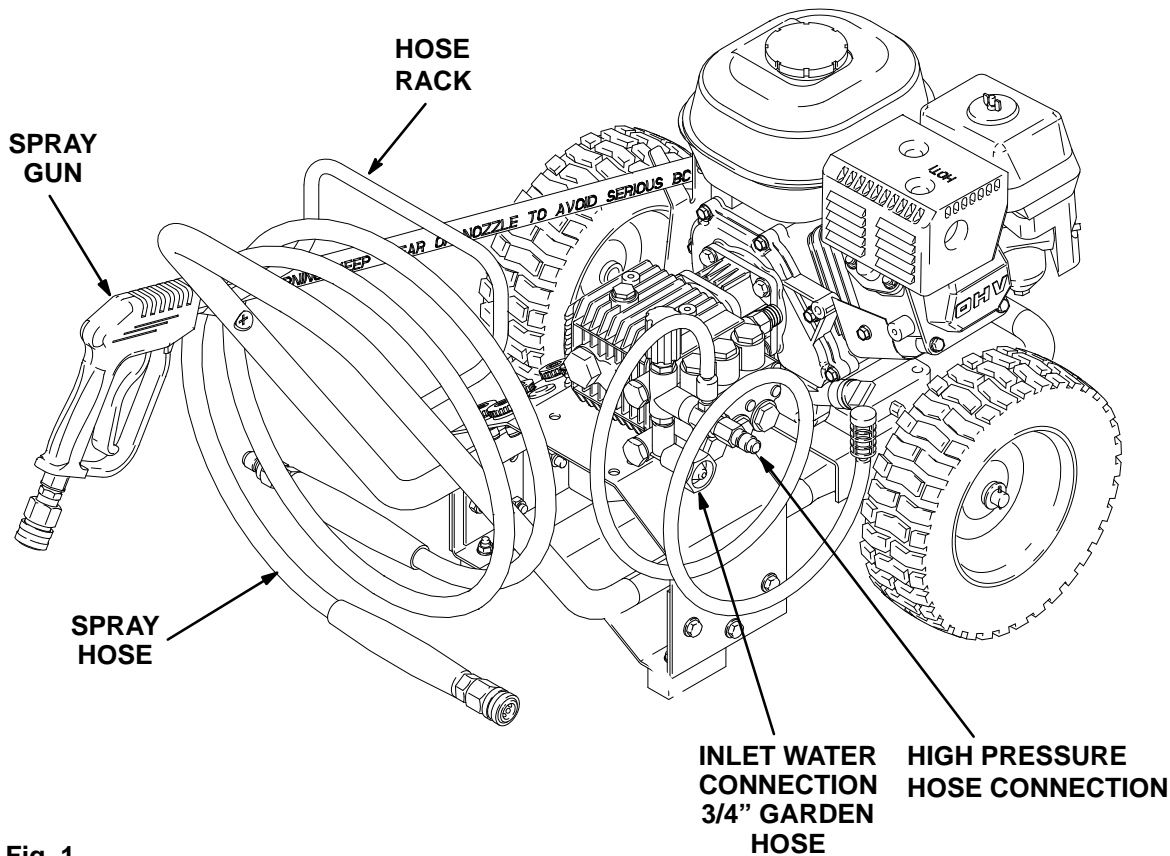


Fig. 1

7329B

### Check for Shipping Damage

Check the unit for any damage that may have occurred in shipping. **Notify the carrier immediately** if there is any damage.

### Set Up

Connect the high pressure hose between the pump outlet and the gun inlet. Both of these connections are made with quick couplers.

#### **CAUTION**

Up to 100 ft (30 m) of high pressure hose may be used. Longer hoses may affect sprayer performance, and chemical injector performance, if used.

Install the appropriate spray tip on the wand. See *Installing and Changing Spray Tips*. If you are using a sandblaster kit, see its separate manual for installation instructions.

### Connect to Water Supply

#### **CAUTION**

Before attaching to the water supply, check your local plumbing code regarding cross-connection to the water supply. If required, a backflow preventer may be installed.

If inlet water pressure is over 60 psi (4.1 bar), a regulating water valve must be installed at the garden hose connection.


Do not exceed 160°F (70°C) inlet water temperature.

Connect a hose with at least a 3/4 inch (19 mm) ID from the water supply to the unit's 3/4 inch garden hose inlet. The supply hose should not be more than 50 ft (15 m) long

**NOTE:** The water source at the unit *must* have a minimum flow rate equal to that of the unit (see Technical Data, inside back cover).

# Operation

## Pressure Relief Procedure

<b>⚠ WARNING</b>	
	<b>INJECTION HAZARD</b> The system pressure must be manually relieved to prevent the system from spraying accidentally. To reduce the risk of an injury from accidental spray from the gun, splashing fluid, or moving parts, follow the <b>Pressure Relief Procedure</b> whenever you:
<ul style="list-style-type: none"><li>• are instructed to relieve the pressure,</li><li>• stop spraying for more than 10 minutes,</li><li>• check or service any of the system equipment,</li><li>• or install or clean the spray nozzle.</li></ul>	

## Pressure Relief Procedure

1. Engage the trigger safety latch.
2. Turn the sprayer off.
3. Remove the ignition cable from the spark plug.
4. Shut off the water supply.
5. Disengage the trigger safety latch and trigger the gun to relieve pressure, and then engage the trigger safety latch again.
6. *If you suspect that the spray tip or hose is completely clogged, or that pressure has not been fully relieved after following the steps above:* Disengage the trigger safety latch and trigger the gun to relieve pressure. Wrap a rag around the hose end coupling and VERY SLOWLY loosen the coupling to relieve pressure gradually, then loosen completely. Now clear the tip or hose.


## Startup

Always use this start-up procedure to ensure that the unit is started safely and properly.

1. Check oil levels:

**NOTE:** All units are equipped with a low-oil sensor that shuts the engine off if the oil level falls below a certain level. If the unit stops unexpectedly, check both the oil and the fuel levels. Check the oil level each time the unit is refueled.

2. Check fuel level.

<b>⚠ WARNING</b>	
	<b>FIRE HAZARD</b> Do not refuel a hot engine. Refueling a hot engine could cause a fire. Use only fresh, clean regular or unleaded gasoline. Close the fuel shutoff valve during refueling.

<b>⚠ CAUTION</b>	
Never run the unit dry. Costly damage to the pump will result. Always be sure the water supply is completely turned on before operating.	

3. Turn on the water supply.

# Operation

4. Trigger the gun until water sprays from the tip indicating that the air is purged from the system.
5. Open the fuel shutoff valve. Be sure the spark plug ignition cable is pushed firmly onto the spark plug. Put the switch in the “on” position and put the throttle in the “run” position.

## CAUTION

Do not allow the pressure washer to idle for more than 10 minutes. Doing so may cause the recirculating water to overheat and seriously damage the pump. Turn off the pressure washer if it will not be spraying or cleaning at least every 10 minutes. If heated inlet water is used, reduce this time further. Do not operate the pressure washer with the inlet water screen removed. This screen helps keep abrasive sediment out of the pump, which could clog the pump or damage the cylinders. Keep this screen clean. Do not pump caustic materials; such materials may corrode the pump components.

## CAUTION

Do not allow the starter rope to snap back against the engine. Return it gently to prevent damage to the recoil.

6. Start the engine.

**NOTE:** For easier starting, have one person start the pressure washer while another person triggers the spray gun.

If the engine is cold, completely close the engine choke. Grasp the starter rope, brace one foot on the pressure washer chassis and pull rope rapidly and firmly. Continue holding the rope as it returns. Pull and return the rope until the engine starts. In cool weather, the choke may have to be kept closed for 10 to 30 seconds before opening it to keep the engine running. Otherwise, open the choke as soon as the engine starts.

If the engine is warm, leave the choke open, or just partly close it. Start the engine as described in the preceding paragraph. When it starts, be sure to open the choke completely.

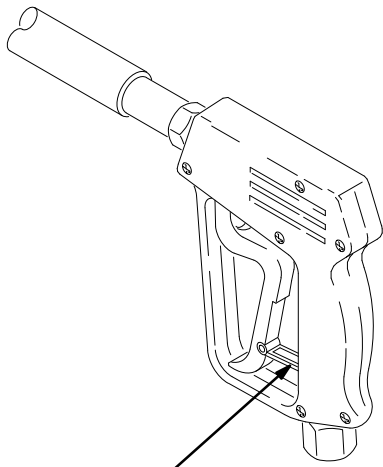
7. Always engage the gun’s trigger safety latch whenever you stop spraying, even for a moment, to reduce the risk of fluid injection or splashing in the eyes or on the skin if the gun is bumped or triggered accidentally.
8. Always observe the following **CAUTIONS** to avoid costly damage to the pressure washer.
9. See the sandblaster kit manual for detailed cleaning information if this accessory is used.

# Operation

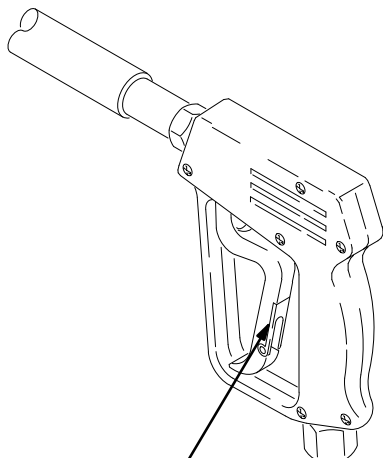
## Trigger Safety Latch

### ⚠ WARNING

To reduce the risk of serious bodily injury, including fluid injection, splashing in the eyes or on the skin, always engage the trigger safety latch whenever spraying stops, even for a moment. In the engaged position, the trigger safety latch prevents the gun from being triggered accidentally by hand or if it is dropped or bumped. Be sure the latch is pushed fully down when engaging it or it cannot prevent the gun from being triggered. See Figure 2.



TRIGGER SAFETY LATCH SHOWN ENGAGED



TRIGGER SAFETY LATCH SHOWN DISENGAGED  
Figure 2

04612

## Installing and Changing Spray Tips

### ⚠ WARNING

To reduce the risk of serious bodily injury, including fluid injection or splashing in the eyes or onto the skin, use extreme caution when changing spray tips. Always follow the procedure below.

1. Follow the **Pressure Relief Procedure**.
2. Point the gun and wand away from yourself and anyone else.
3. Spray tips have a 4- or 5-digit number on them. The first two digits are the spray angle. Select the spray tip appropriate for your application.

Spray Tip Number	Spray Pattern Fan Angle
00XXX	0°, blaster (red)
15XXX	15° (yellow)
25XXX	25° (green)
40XXX	40° (white)

**NOTE:** The chemical injector tip is brass, has a large opening and a black plastic cap.

4. Without holding your hand over the spray tip (A), pull back the quick coupler ring (B). Remove the current tip and/or install a different one, and then push back the ring. See Figure 3.
5. Pull on the tip to be sure the tip is secure before starting to spray again.
6. Tip holding holes are provided on the chassis.

### ⚠ CAUTION

To avoid blowing the o-ring out of the quick coupler, due to the high pressure in the system, never operate the pressure washer without a tip securely mounted in the quick coupler.

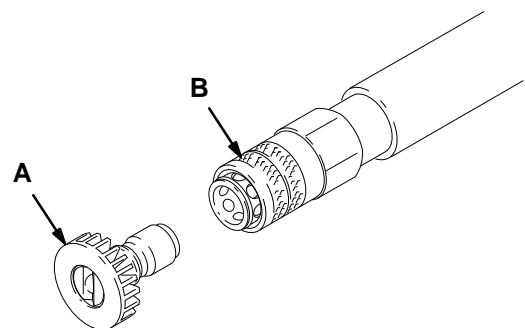


Figure 3

04929

# Operation

## Shutdown, Flushing and Storage

**NOTE:** An anti-freeze flush kit 802-327 is available to make flushing easier.

### CAUTION

If water does freeze in the pressure washer, thaw it in a warm room before trying to start it. Do not pour hot water on or into the pump; it may crack the ceramic plungers!

1. If the pressure washer will be exposed to freezing temperatures, drain all water out of the pump. If it must be stored in freezing temperatures, flush the unit with a 50% anti-freeze solution. Relieve pressure. Flush the pressure washer before using it again to remove the anti-freeze.
2. Before long-term (overnight) storage or transporting of unit, disconnect the water supply, and turn off the fuel supply valve.
3. After each use, wipe all surfaces of the pressure washer with a clean, damp cloth.
4. Perform the appropriate maintenance. See maintenance chart.

## Maintenance

Observing regular maintenance intervals helps ensure that you get maximum performance and life from the pressure washer.

There is a break-in period for the engine, pump and gear reducer (if used). After changing the oil in these components following their respective break-in periods, the interval between required changes is longer.

If the unit is operating in dusty conditions, these maintenance checks should be made more often.

### WARNING

To reduce the risk of serious bodily injury, including fluid injection, splashing in the eyes or on the skin or injury from moving parts, always follow the **Pressure Relief Procedure** on page 5 before proceeding.

Interval	What to do
Daily	Clean water inlet screen and filter. Check engine and pump oil levels. Fill as necessary. Check gasoline level. Fill as necessary.
After first 5 hours of operation	Change engine break-in oil. Drain oil when warm. Use SAE 30 or 10W-30 detergent oil.
Each 25 hours of operation	Clean and remove air cleaner foam. Wash with water and detergent. Dry thoroughly. Rub with oil and squeeze to distribute oil.
After first 50 hours of operation	Change pump break-in oil. Use SAE 20 or 30 non-detergent oil.
Each 100 hours of operation or 3 months	Clean or replace paper air cleaner cartridge. Tap gently to remove dirt. Change engine oil. Use SAE 30 or 10W-30 detergent oil.
Each 500 hours of operation or 6 months	Change pump oil. Use SAE 20 or 30 non-detergent oil.



# Troubleshooting

## ⚠ WARNING

To reduce the risk of serious injury, including fluid injection and splashing in the eyes, or on the skin, always follow **Pressure Relief Procedure** on page 5 before proceeding.

Problem	Cause	Solution
Engine will not start or is hard to start	<p>No gasoline in fuel tank or carburetor.</p> <p>Low oil.</p> <p>Start/Stop switch in Stop position.</p> <p>Water in gasoline or old fuel.</p> <p>Choked improperly. Flooded engine.</p> <p>Dirty air cleaner filter.</p> <p>Spark plug dirty, wrong gap or wrong type.</p> <p>Spray gun closed.</p>	<p>Fill the tank with gasoline, open fuel shut off valve.</p> <p>Check fuel line and carburetor.</p> <p>Add to proper level.</p> <p>Move switch to start position.</p> <p>Drain fuel tank and carburetor. Use new fuel and dry spark plug.</p> <p>Open choke and pull engine several times to clear out gas. Use a dry sprark plug.</p> <p>Remove and clean.</p> <p>Clean, adjust the gap or replace.</p> <p>Trigger spray gun while spraying.</p>
Engine misses or lacks power	<p>Partially plugged air cleaner filter.</p> <p>Spark plug dirty, wrong gap or wrong plug type.</p>	<p>Remove and clean.</p> <p>Clean, adjust the spark plug gap or replace.</p>
Low pressure and/or pump runs rough	<p>Worn or wrong size tip.</p> <p>Inlet filter clogged.</p> <p>Worn packings, abrasives in water or natural wear.</p> <p>Inadequate water supply.</p> <p>Fouled or dirty inlet or discharge valves.</p> <p>Restricted inlet.</p> <p>Worn inlet or discharge valves.</p> <p>Leaking high pressure hose.</p>	<p>Replace with tip of proper size.</p> <p>Clean. Check more frequently.</p> <p>Check filter. Replace packings. See PUMP SERVICE, page 13.</p> <p>Check water flow rate to pump.</p> <p>Clean inlet and discharge valve assemblies. Check filter.</p> <p>Check garden hose, may be collapsed or kinked.</p> <p>Replace worn valves. See PUMP SERVICE, page 13.</p> <p>Replace high pressure hose.</p>
Water leakage from under pump manifold	<p>Worn packings.</p>	<p>Install new packings. See PUMP SERVICE, page 13..</p>
Water on oil side of pump	<p>Humid air condensing inside crankcase.</p> <p>Worn packings.</p> <p>Oil seals leaking.</p>	<p>Change oil as specified in Maintenance, page 8.</p> <p>Install new packings. See PUMP SERVICE, page 13.</p> <p>Install new oil seals. See PUMP SERVICE, page 13.</p>

<b>Problem</b>	<b>Cause</b>	<b>Solution</b>
Frequent or premature failure of the packings	<p>Scored, damaged or worn plungers.</p> <p>Abrasive material in the fluid being pumped.</p> <p>Inlet water temperature too high.</p> <p>Overpressurizing pump.</p> <p>Excessive pressure due to partially plugged or damaged tip.</p> <p>Pump running too long without spraying.</p> <p>Running pump dry.</p>	<p>Install new plungers. See PUMP SERVICE, page 13.</p> <p>Install proper filtration on pump inlet plumbing.</p> <p>Check water temperature; may not exceed 160°F(70°C).</p> <p>Do not modify any factory-set adjustments. See EQUIPMENT MISUSE HAZARD on page 3.</p> <p>Clean or replace tip. See Installing and Changing Spray Tips on page 7.</p> <p>Never run pump more than 10 minutes without spraying.</p> <p>Do not run pump without water.</p>
Strong surging at inlet and low pressure on discharge side	Foreign particles in the inlet or discharge valve or worn inlet and/or discharge valves.	Clean or replace valves. See PUMP SERVICE, page 13.

# 804–544 Pump Service

## WARNING

To reduce the risk of serious bodily injury, including fluid injection, splashing in the eyes or on the skin, or injury from moving parts, always follow the **Pressure Relief Procedure Warning on page 5** before proceeding.

**NOTE:** The following metric wrenches are needed: 5 mm, 13 mm and 22 mm. Repair kits are available. Refer to the individual repair sections and the pump parts page for more details. For the best results, use all parts in the kits.

**NOTE:** There is a tool kit to aid in servicing the pump. P/N 800–271 includes tools to aid in the removal of packing retainers.

### Valves

**NOTE:** For a set of six valves, order P/N 801–472.

1. Remove the hex plug from the manifold using a 22 mm socket.
2. Examine the o–ring under the hex plug and replace it if it is cut or distorted.
3. Remove the valve assembly from the cavity; the assembly may come apart.
4. Install the new valve. Install the o–ring and hex plug; torque to 33 ft–lb (45 N·m).

**NOTE:** Retorque the plug after 5 hours of operation.

### Pumping Section

1. Remove the eight capscrews and lockwashers from the manifold using a 5 mm wrench.

2. Carefully separate the manifold from the crankcase.

**NOTE:** It may be necessary to tap the manifold lightly with a soft mallet to loosen.

## CAUTION

Keep the manifold properly aligned with the ceramic plungers when removing to avoid damage to the plunger or seals.

3. Carefully examine each plunger for any scoring or cracking and replace as necessary.

### Servicing the Plungers

**NOTE:** Plunger repair kit, P/N 801–474 is available to replace retainers, o–rings, washers and backup rings for three cylinders.

1. Loosen the plunger retaining nut five to six turns, using a 13 mm wrench. Push the plunger towards the crankcase to separate the plunger and retaining screw.
2. Remove the nut from the plunger and examine the o–ring, backup ring and copper bearing/gasket washer. Replace these parts, if necessary, using kit 801–474.
3. Remove the plunger and flinger from the plunger shaft. Clean, examine and replace parts as necessary.
4. Inspect the plunger shaft for oil leakage from the crankcase. If leaking is obvious, replace the oil seals. Otherwise, DO NOT remove these seals as they cannot be reused. An oil seal kit is available to replace the seals.
5. Lightly grease the flinger and oil seal, if it is being replaced and replace them on the plunger shaft. Then install the plunger.

# 804–544 Pump Service

6. Lightly grease the retaining screw and the outer end of the plunger. Place the washer, o-ring and backup ring around the screw and install the nut through the plunger. Torque to 11 ft-lb (15 N·m).

**NOTE:** If you plan to replace the packings, refer to Servicing the V-Packings.

7. Lubricate the outside of each plunger. Slide the manifold onto the crankcase, being careful not to damage the seals.
8. Install the capscrews and washers finger-tight. Torque the screws to 8.8 ft-lb (12 N·m) following the tightening pattern (Figure 4). Uneven tightening may cause the manifold to bind or jam.

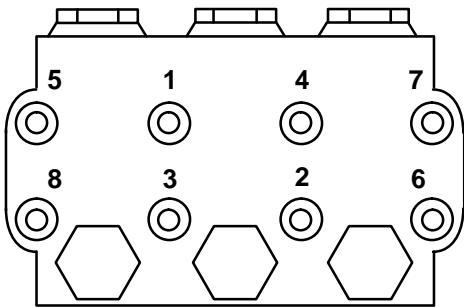


Figure 4

## Servicing the V-Packings

**NOTE:** There are two types of packing kits: one is packings only, the other includes the packings, rings and retainers.

1. Remove the manifold as outlined in the Pumping Section.
2. Carefully pull the packing retainer from the manifold. Examine the o-ring and replace it if it is cut or damaged.
3. Remove the v-packing and head ring. Pull out the intermediate retainer ring. Remove the second v-packing and second head ring.
4. Inspect all parts and replace as necessary.
5. Thoroughly clean the packing cavities and examine for debris or damage.
6. Lightly grease the packing cavities and then replace the packings in the following order: head ring, v-packing, intermediate ring, head ring, v-packing and packing retainer with the o-ring installed in the retainer groove.

### **CAUTION**

Install the parts in the proper order and facing the correct direction. Improperly installed parts will cause a malfunction.

7. Reassemble the manifold as instructed in Servicing the Plungers.

# 804–559 Pump Service

## WARNING

To reduce the risk of serious bodily injury, including fluid injection, splashing in the eyes or on the skin, or injury from moving parts, always follow the **Pressure Relief Procedure Warning on page 5** before proceeding.

**NOTE:** The following metric wrenches are needed: 6 mm, 13 mm and 27 mm. Repair kits are available. Refer to the individual repair sections and the pump parts page for more details. For the best results, use all parts in the kits.

**NOTE:** There is a tool kits to aid in servicing the pump. P/N 800–271 includes tools to aid in the removal of packing retainers.

### Valves

**NOTE:** For a set of six valves, order P/N 801–472.

1. Remove the hex plug from the manifold using a 27 mm socket.
2. Examine the o–ring under the hex plug and replace it if it is cut or distorted.
3. Remove the valve assembly from the cavity; the assembly may come apart.
4. Install the new valve. Install the o–ring and hex plug; torque to 73 ft–lb (99 N·m).

**NOTE:** Retorque the plug after 5 hours of operation.

### Pumping Section

1. Remove the eight capscrews and lockwashers from the manifold using a 6 mm wrench.

2. Carefully separate the manifold from the crankcase.

**NOTE:** It may be necessary to tap the manifold lightly with a soft mallet to loosen.

## CAUTION

Keep the manifold properly aligned with the ceramic plungers when removing to avoid damage to the plunger or seals.

3. Carefully examine each plunger for any scoring or cracking and replace as necessary.

### Servicing the Plungers

**NOTE:** Plunger repair kit, P/N 801–474 is available to replace retainers, o–rings, washers and backup rings for three cylinders.

1. Loosen the plunger retaining nut five to six turns, using a 13 mm wrench. Push the plunger towards the crankcase to separate the plunger and retaining screw.
2. Remove the nut from the plunger and examine the o–ring, backup ring and copper bearing/gasket washer. Replace these parts, if necessary, using kit 801–474.
3. Remove the plunger and flinger from the plunger shaft. Clean, examine and replace parts as necessary.
4. Inspect the plunger shaft for oil leakage from the crankcase. If leaking is obvious, replace the oil seals. Otherwise, DO NOT remove these seals as they cannot be reused. An oil seal kit is available to replace the seals.
5. Lightly grease the flinger and oil seal, if it is being replaced and replace them on the plunger shaft. Then install the plunger.

# 804–559 Pump Service

6. Lightly grease the retaining screw and the outer end of the plunger. Place the washer, o-ring and backup ring around the screw and install the nut through the plunger. Torque to 14.4 ft-lb (19.5 N·m).

**NOTE:** If you plan to replace the packings, refer to Servicing the V-Packings.

7. Lubricate the outside of each plunger. Slide the manifold onto the crankcase, being careful not to damage the seals.
8. Install the capscrews and washers finger-tight. Torque the screws to 22 ft-lb (30 N·m) following the tightening pattern (Fig. 4). Uneven tightening may cause the manifold to bind or jam.

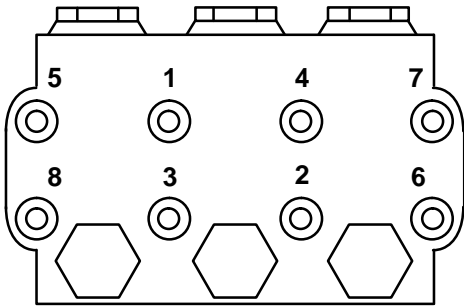


Figure 4

## Servicing the V-Packings

**NOTE:** There are two types of packing kits: one is packings only, the other includes the packings, rings and retainers.

1. Remove the manifold as outlined in the Pumping Section.
2. Carefully pull the packing retainer from the manifold. Examine the o-ring and replace it if it is cut or damaged.
3. Remove the v-packing and head ring. Pull out the intermediate retainer ring. Remove the second v-packing and second head ring.
4. Inspect all parts and replace as necessary.
5. Thoroughly clean the packing cavities and examine for debris or damage.
6. Lightly grease the packing cavities and then replace the packings in the following order: head ring, v-packing, intermediate ring, head ring, v-packing and packing retainer with the o-ring installed in the retainer groove.

### CAUTION

Install the parts in the proper order and facing the correct direction. Improperly installed parts will cause a malfunction.

7. Reassemble the manifold as instructed in Servicing the Plungers.

# Accessories

## Water Sandblasting Kit 800–120

For abrasive cleaning of stubborn dirt and paint. Requires a spray tip which is not included in kit (1535 uses 805–325, 2030 uses 805–313, 2540 uses 805–321, and 3040 uses 805–317).

## Anti-freeze Flush Kit 802–327

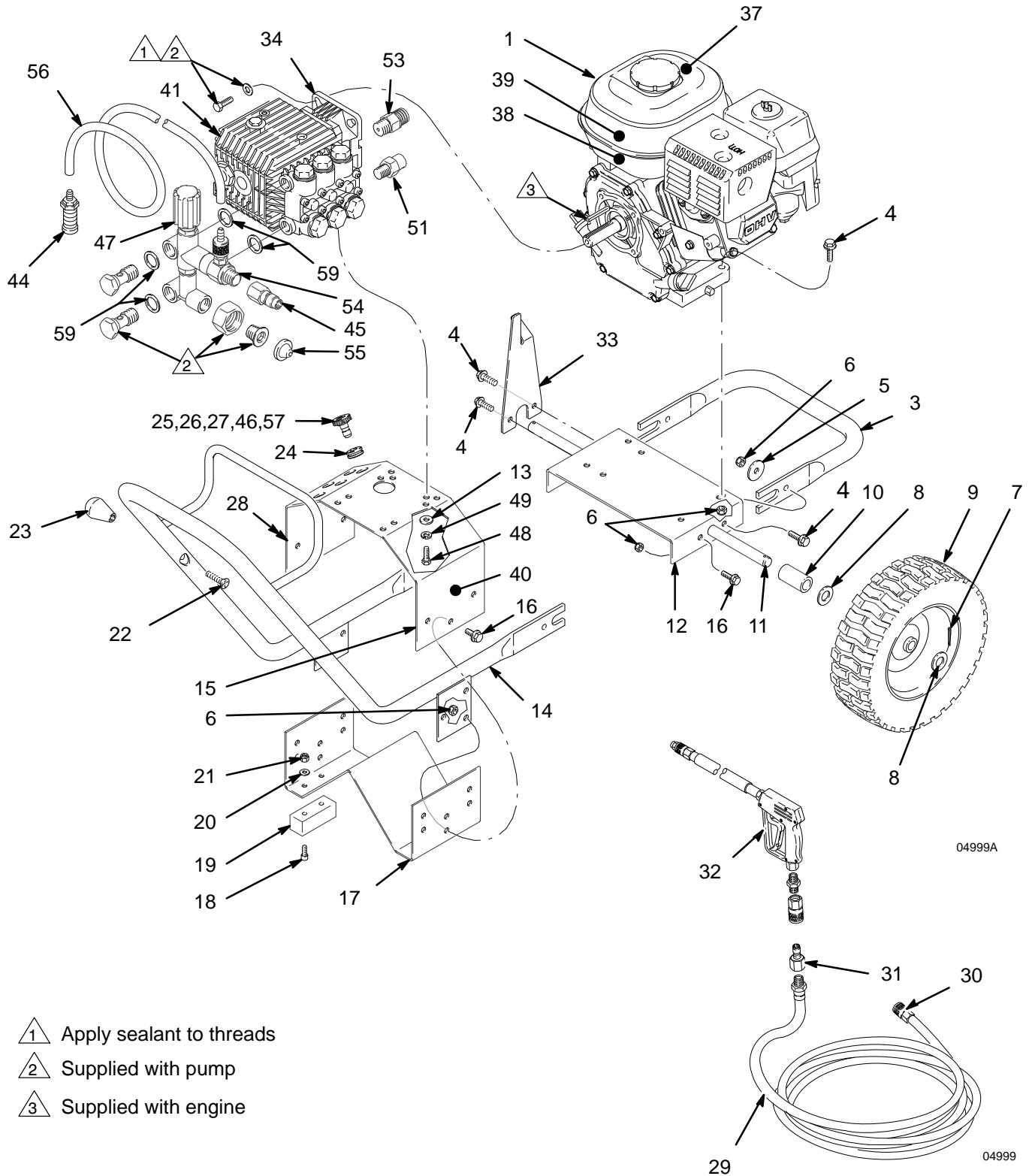
For flushing system with 50% anti-freeze solution prior to transporting or storing pressure washer in below freezing temperatures.

# Technical Data

	Model 824–006	Model 824–007
Engine (4 cycle, air cooled)	5.5 HP Honda OHV	9 HP Honda OHV
Gasoline Tank Capacity	3.8 quarts (3.6 liter)	6.2 quarts (6.1 liter)
Water Pump Maximum Working Pressure	2000 psi (138 bar)	2800 psi (193 bar)
Water Pump Maximum Flow	3 gpm (11 lpm)	3.5 gpm (13 lpm)
Inlet Hose Connection	3/4" garden hose (f)	3/4" garden hose (f)
Weight (without gun and hose)	79 lb (36 kg)	110 lb (50 kg)
Dimensions		
Length	34.5" (914mm)	34.5" (914mm)
Width	22" (533mm)	22" (533mm)
Height	23.5" (572mm)	23.5" (572mm)
Maximum Inlet Water Temperature	160°F (70°C)	160°F (70°C)
Wetted Parts High Pressure Hose Bypass Hose Pressure Washer (including fittings)	Acrylonitrile and Buna-N cover and tube Synthetic yarn and EPDM Anodized aluminum, Aluminum or bronze alloys, Brass Copper, Nylon-PTFE composite, Ceramic, Buna-N, Cotton phenolic, 303, 304, and 316 Stainless steel, Polyimide-12 thermoplastic, PTFE, Carbon steel, Zinc with or without yellow chromate plate  <i>PTFE is a registered trademark of the DuPont Company</i>	

# Hydra-Clean 2000 Pressure Washer – Parts

Model 824-006, Series A





# Hydra-Clean 2000 Pressure Washer – Parts

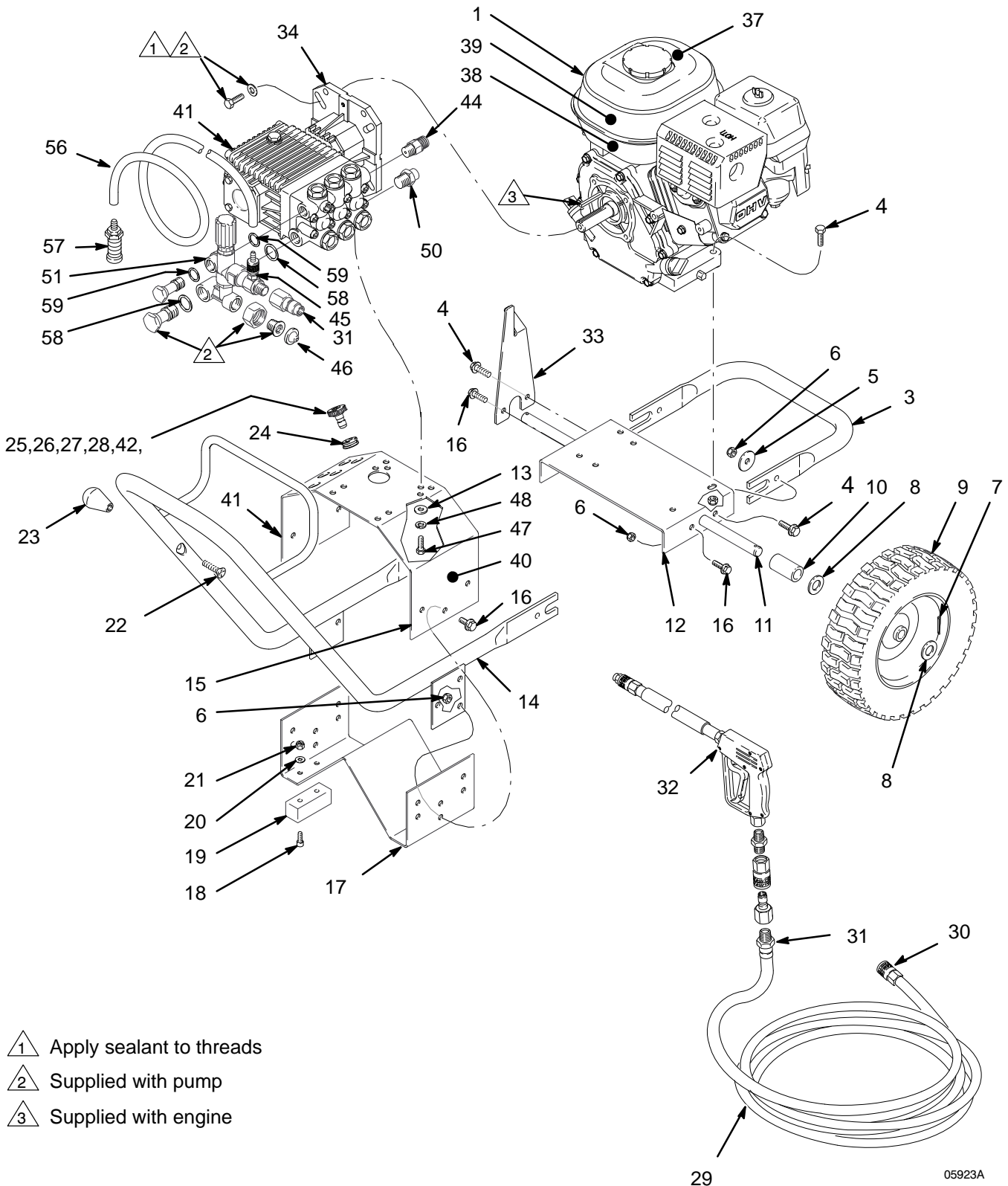
USE ONLY GENUINE GRACO PARTS AND ACCESSORIES

## Models 824–006, Series A

Ref. No.	Part No.	Description	Qty.	Ref. No.	Part No.	Description	Qty.
1	802-264	ENGINE, 5.5 hp	1	32	800-392	GUN & WAND ASSEMBLY	1
3	804-510	HANDLE, lift	1			(includes 32a – 32f),	
4	804-533	SCREW, cap, flange, 5/16–18	6	32a	801-569	· QUICK COUPLER, female 3/8	1
5	804-523	WASHER, handle	2	32b	801-009	· QUICK COUPLER, female 1/4	1
6	111-040	NUT, Lock 5/16–18	14	32c	801-134	· WAND, 32"	1
7	101-545	PIN, cotter 1/8 dia. x 1"	2	32d	801-674	· SLEEVE, 28"	1
8	154-636	WASHER, plain, 1–3/16	4	32e	803-350	· GUN, Spray (see Inst. Manual 308–511)	1
9	804-511	WHEEL, pneumatic	2				
10	804-512	SPACER	2	33	804-529	HOLDER, gun	1
11	804-554	AXLE	1	34	804-531	PUMP ASSEMBLY (see page 20)	1
12	804-516	PLATE, motor mounting	1	37	290-013	LABEL	1
13	100-527	WASHER, plain	2	38	802-363	LABEL, caution	1
14	804-509	HANDLE	1	39	820-137	LABEL	1
15	804-514	PLATE, pump	1	40	290-131	LABEL, warning	1
16	114-412	SCREW, flange, hex hd.	8	41	290-133	LABEL	1
17	804-515	PLATE, bottom	1	44	801-683	STRAINER	1
18	100-643	SCREW, cap, sch, 14–20 x .75	4	45	803-857	COUPLER, sst	1
19	109-059	PAD, rubber	2	46	805-430	TIP	1
20	100-086	WASHER, plain, 3/16	4	47	804-543	KIT, unloader	1
21	102-040	NUT, lock, hex, 1/4–20	4			includes items 54 and 59	
22	804-530	SCREW, mach, flthd, 3/8–16	1	48	801-210	SCREW	2
23	108-789	KNOB	1	49	100-214	WASHER, lock	2
24	801-012	GROMMET, rubber	6	51	800-742	VALVE, thermal relief	1
25	805-427	TIP, spray	1	53	804-546	VALVE, relief	1
26	805-428	TIP, spray	1	54	804-551	INJECTOR, chemical	1
27	805-429	TIP, spray	1	55	801-112	SCREEN	1
28	804-524	LABEL	1	56	804-275	TUBE, chemical	1
29	804-479	HOSE, high pressure 3/8 x 50'	1	57	805-520	TIP, chemical injector	1
30	801-569	QUICK COUPLER, 3/8 female	1	59	804-570	GASKET	4
31	801-568	QUICK COUPLER, 3/8 male	1				

# Hydra-Clean 2800G Pressure Washer – Parts

Model 824-007, Series A



- △ 1 Apply sealant to threads
- △ 2 Supplied with pump
- △ 3 Supplied with engine

# Hydra-Clean 2800G Pressure Washer – Parts

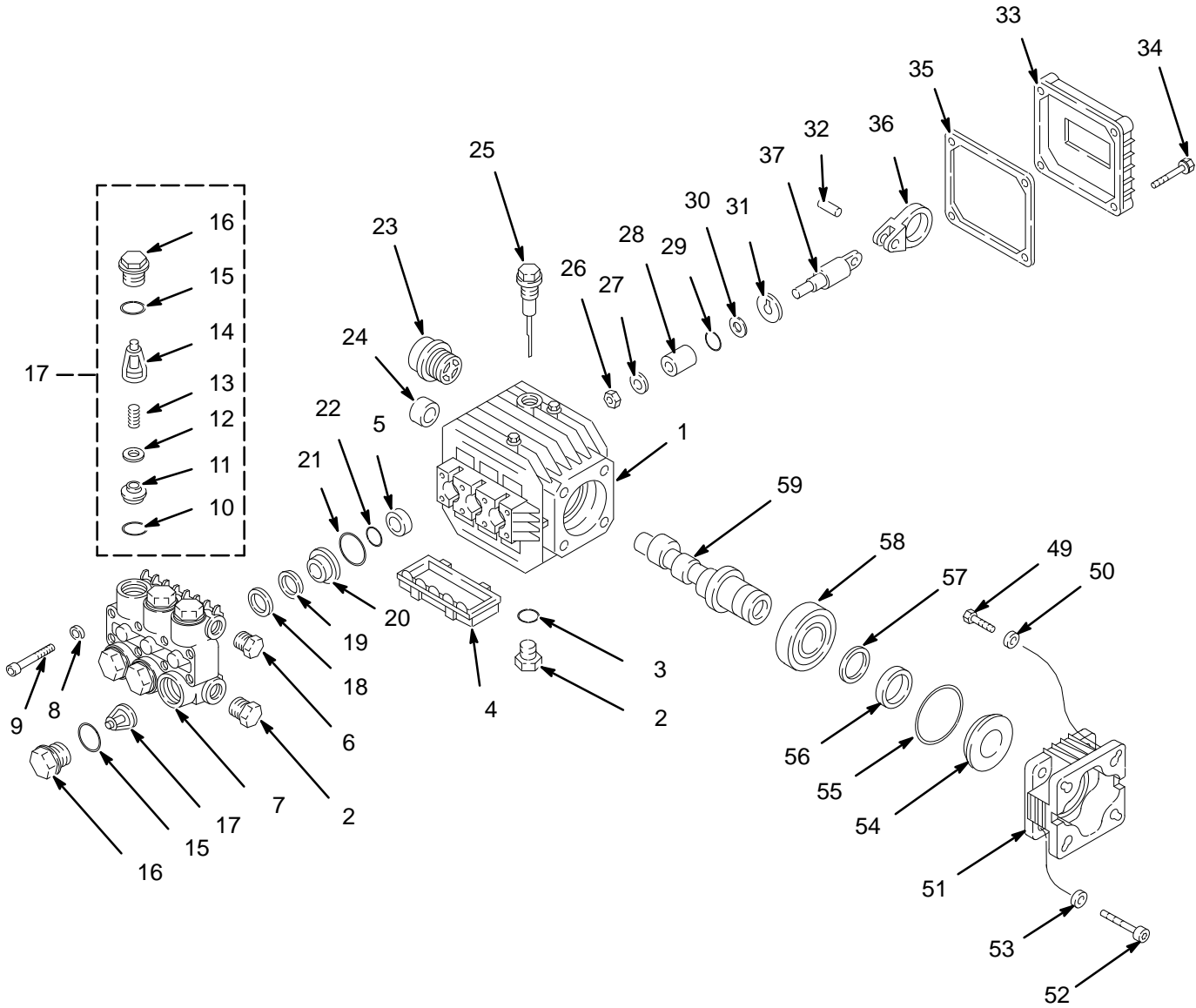
USE ONLY GENUINE GRACO PARTS AND ACCESSORIES

## Models 824–007, Series A

Ref. No.	Part No.	Description	Qty.	Ref. No.	Part No.	Description	Qty.
1	803–900	ENGINE, 9 hp	1	31	801–568	QUICK COUPLER, Male 3/8	1
3	804–510	HANDLE, lift	1	32	800–392	GUN & WAND ASSEMBLY (includes 32a – 32f), Model 1535	1
4	110–837	SCREW, cap, flange, 5/16–18	6				
5	804–523	WASHER, handle	2	32a	801–569	· QUICK COUPLER, Female 3/8	1
6	111–040	NUT, Lock 5/16–18	14	32b	801–009	· QUICK COUPLER, Female 1/4	1
7	101–545	PIN, cotter 1/8 dia. x 1"	2	32c	801–134	· WAND, 32"	1
8	154–636	WASHER, plain, 1–3/16	4	32d	801–674	· SLEEVE, 28"	1
9	804–511	WHEEL, Pneumatic	2	32e	803–350	· GUN, Spray (see Manual308–511)	1
10	804–512	SPACER	2				
11	804–554	AXLE	1	33	804–529	HOLDER, gun	1
12	804–516	PLATE, motor mounting	1	34	804–559	PUMP ASSEMBLY (see page 22)	1
13	100–527	WASHER, Plain	4	37	290–013	LABEL	1
14	804–509	HANDLE	1	38	802–363	LABEL, caution	1
15	804–514	PLATE, pump	1	39	820–137	LABEL	1
16	114–412	SCREW, Flange, Hex Hd.	8	40	290–131	LABEL, warning	1
17	804–515	PLATE, bottom	1	41	820–137	LABEL	1
18	100–643	SCREW, cap, sch, 14–20 x .75	4	42	805–520	TIP, spray	1
19	109–059	PAD, rubber	2	44	804–536	VALVE, relief	1
20	100–086	WASHER, plain, 3/16	4	45	804–553	KIT, repl, injector	1
21	102–040	NUT, lock, hex, 1/4–20	4	46	804–051	SCREEN	1
22	804–530	SCREW, mach, flthd, 3/8–16	1	47	801–210	SCREW	4
23	108–789	KNOB	1	48	100–214	WASHER, lock	4
24	801–012	GROMMET, Rubber	6	50	804–397	VALVE, thermal relief	1
25	805–427	TIP, spray	1	51	804–567	KIT, unloader	1
26	805–428	TIP, spray	1			includes items 45, 58 and 59	
27	805–429	TIP, spray	1	56	804–275	TUBE, chemical	1
28	805–430	TIP, spray	1	57	801–683	STRAINER	1
29	804–479	HOSE, High Pressure 3/8 x 50'	1	58	804–569	GASKET, unloader	2
30	801–569	QUICK COUPLER, 3/8 female	1	59	804–570	GASKET	2

# Pump Assembly – Parts

Model 804–544



05001

# Pump Assembly – Parts

USE ONLY GENUINE GRACO PARTS AND ACCESSORIES

## Model 804–544

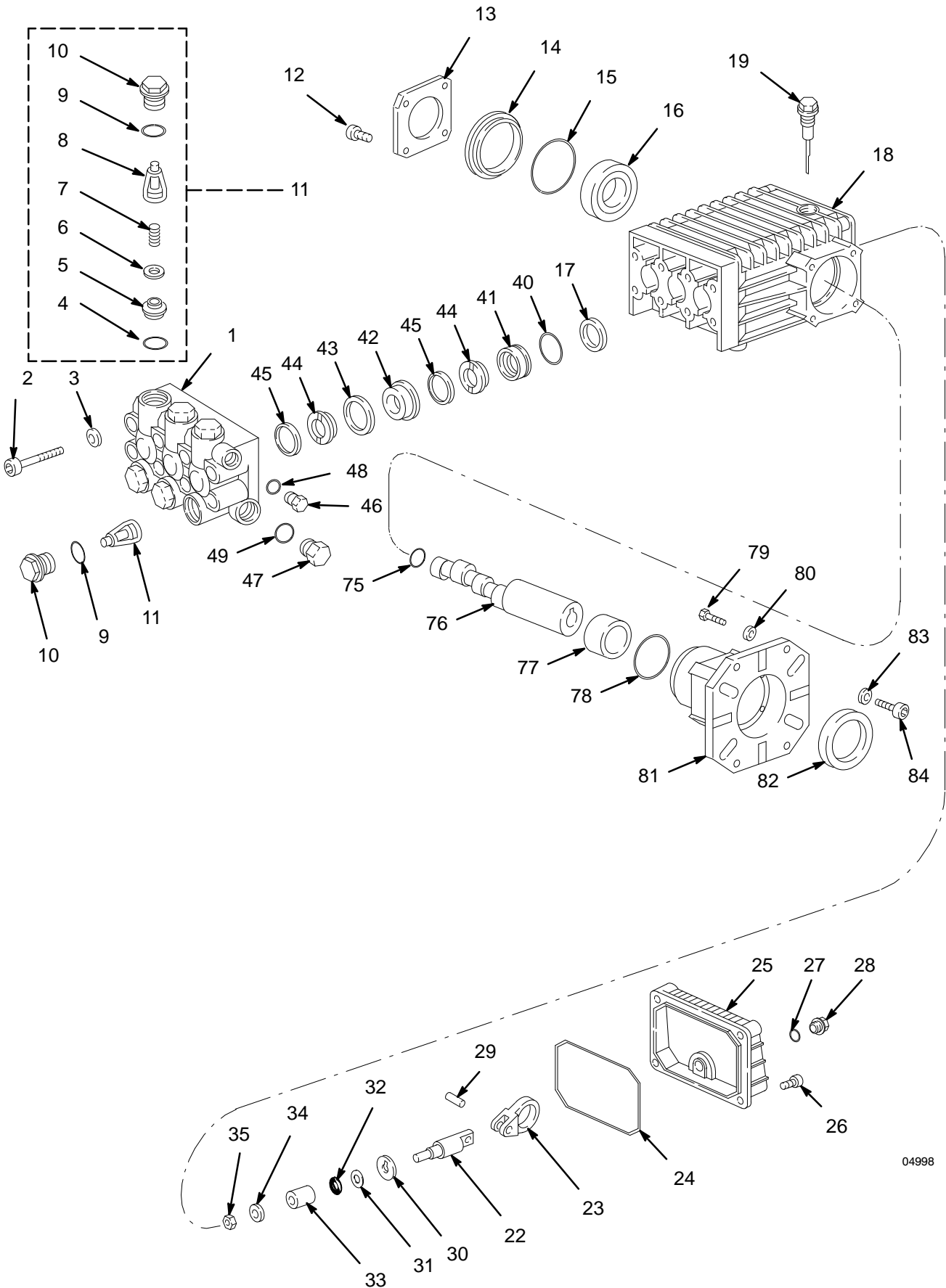
REF NO.	PART NO.	DESCRIPTION	QTY	REF NO.	PART NO.	DESCRIPTION	QTY
1		CRANKCASE	1	25	801-659	DIPSTICK	1
2	801-484	PLUG	2	26		NUT	3
3	802-344	O-RING	1	27		WASHER	3
4		PROTECTOR	1	28		PLUNGER	3
5	KIT 83	SEAL, Oil		29	803-918	O-RING	3
6		PLUG	1	30	803-919	RING, Back Up	3
7		MANIFOLD	1	31		WASHER, Flinger	3
8		WASHER	8	32		PIN, Connecting Rod	3
9		SCREW	8	33		COVER, Crankcase	1
10	KIT 1	O-RING		34		SCREW	4
11	KIT 1	SEAT, Valve		35	804-015	GASKET, Cover	1
12	KIT 1	PLATE, Valve		36		END, Connecting Rod	3
13	KIT 1	SPRING		37		ROD, Connecting	3
14	KIT 1	CAGE, Valve		49		SCREW	4
15	KIT 84	O-RING		50	801-652	WASHER	4
16	KIT 84	CAP, Valve		51		FLANGE	1
17	KIT 1	VALVE ASSEMBLY		52		SCREW	4
18	KIT 96,97	RING, Head		53		WASHER	4
19	KIT 96,97	PACKING		54		SPACER	1
20	KIT 96	RETAINER, Packing		55	803-268	O-RING	1
21	KIT 96,97	O-RING		56	804-018	SEAL, Oil	1
22	KIT 96,97	O-RING		57		RING, Snap	1
23	802-345	GAUGE, Sight	1	58		BEARING	1
24		BEARING	1	59		CRANKSHAFT	1

Kit No.	Repair Kit Part No.	Ref No.	Description	Qty.
1	801-472 Valve Assembly	10	O-RING	6
		11	SEAT, Valve	6
		12	PLATE, Valve	6
		13	SPRING	6
		14	CAGE, Valve	6
		or 17*	VALVE ASSEMBLY	6
83	804-033 Oil Seal	5	SEAL, Oil	3
84	804-034 Valve Cap	15	O-RING	6
		16	CAP, Valve	6
96	804-036 Packing Assembly	18	RING, Head	1
		19	PACKING	1
		20	RETAINER,	1
		21	Packing	1
		22	O-RING O-RING	1 1
97	804-037 Packing	18	RING, Head	3
		19	PACKING	3
		21	O-RING	3
		22	O-RING	3

\* Item 17 consists of items 10 through 14.  
See Pump Assembly illustration on previous page.

# Pump Assembly – Parts

Model 804-559



04998

# Pump Assembly – Parts

USE ONLY GENUINE GRACO PARTS AND ACCESSORIES

## MODEL 804-559

REF NO.	PART NO.	DESCRIPTION	QTY	REF NO.	PART NO.	DESCRIPTION	QTY
1		HEAD, Pump	1	30		WASHER	3
2	801-651	SCREW	8	31	803-919	RING, Anti-Extrusion	3
3	801-652	WASHER	8	32	803-918	O-RING	3
4	KIT 123	O-RING		33	804-415	PISTON	3
5	KIT 123	SEAT, Valve		34		WASHER	3
6	KIT 123	VALVE		35		NUT	3
7	KIT 123	SPRING		40	KIT 130	O-RING	
8	KIT 123	CAGE, Valve		41	KIT 130	RETAINER, Packing	
9	KIT 124	O-RING		42	KIT 130	RING, Intermediate	
10	KIT 124	CAP		43	KIT 130	PACKING	
11	KIT 123	VALVE ASSEMBLY		44	KIT 130	PACKING	
12		SCREW	8	45	KIT 130	RING, Head	
13		COVER, Bearing	2	46		SCREW, Cap	1
14		SPACER	1	47	801-482	SCREW, Cap	1
15	803-268	O-RING	1	48	801-485	WASHER	1
16		BEARING	2	49		WASHER	1
17	KIT 23	SEAL, Oil		75		RING, Retaining	1
18		CRANKCASE	1	76		CRANKSHAFT	1
19	801-659	DIPSTICK	1	77		BEARING	1
22		GUIDE, Piston	3	78		O-RING	1
23		ROD, Connecting	3	79		SCREW	4
24		O-RING	1	80		WASHER	4
25		COVER, Rear	1	81		FLANGE	1
26		SCREW	5	82		SEAL, Oil	1
27	801-488	O-RING	1	83		WASHER	4
28		SCREW, Cap	1	84		SCREW	4
29		PIN	3				

Kit No.	Repair Kit Part No.	Ref. No.	Description	Qty.
23	<b>801-658</b> Oil Seal	17	SEAL, Oil	3
123	<b>804-402</b> Valve Assembly	4	O-RING	6
		5	SEAT, Valve	6
		6	VALVE	6
		7	SPRING	6
		8	CAGE, Valve	6
		or 11*	VALVE ASSEMBLY	6
124	<b>804-403</b> Valve Cap	9	O-RING	6
		10	CAP	6
130	<b>804-404</b> Packing Assembly	40	O-RING	1
		41	RETAINER, Packing	1
		42	RING, Intermediate	1
		43	PACKING	1
		44	PACKING	2
		45	RING, Head	2

\* Item 11 consists of items 4 through 8.  
See Pump Assembly illustration on previous page.

# The SHERWIN–WILLIAMS Warranty and Disclaimers

## WARRANTY

Graco warrants all equipment manufactured by it and bearing its name to be free from defects in material and workmanship on the date of sale by an authorized Graco distributor to the original purchaser for use. As purchaser's sole remedy for breach of this warranty, Graco will, for a period of twelve months from the date of sale, repair or replace any part of the equipment proven defective. This warranty applies only when the equipment is installed, operated and maintained in accordance with Graco's written recommendations.

This warranty does not cover, and Graco shall not be liable for, any malfunction, damage or wear caused by faulty installation, misapplication, abrasion, corrosion, inadequate or improper maintenance, negligence, accident, tampering, or substitution of non-Graco component parts. Nor shall Graco be liable for malfunction, damage or wear caused by the incompatibility with Graco equipment of structures, accessories, equipment or materials not supplied by Graco, or the improper design, manufacture, installation, operation or maintenance of structures, accessories, equipment or materials not supplied by Graco.

This warranty is conditioned upon the prepaid return of the equipment claimed to be defective to an authorized Graco distributor for verification of the claim. If the claimed defect is verified, Graco will repair or replace free of charge any defective parts. The equipment will be returned to the original purchaser transportation prepaid. If inspection of the equipment does not disclose any defect in material or workmanship, repairs will be made at a reasonable charge, which charges may include the costs of parts, labor and transportation.

## DISCLAIMERS AND LIMITATIONS

The terms of this warranty constitute purchaser's sole and exclusive remedy and are in lieu of any other warranties (express or implied), **including warranty of merchantability or warranty of fitness for a particular purpose**, and of any non-contractual liabilities, including product liabilities, based on negligence or strict liability. Every form of liability for direct, special or consequential damages or loss is expressly excluded and denied. In no case shall Graco's liability exceed the amount of the purchase price. Any action for breach of warranty must be brought within two (2) years of the date of sale.

## EQUIPMENT NOT COVERED BY GRACO WARRANTY

Graco makes no warranty, and disclaims all implied **warranties of merchantability and fitness for a particular purpose**, with respect to accessories, equipment, materials, or components sold but not manufactured by Graco. These items sold, but not manufactured by Graco (such as electric motor, switches, hose, etc.) are subject to the warranty, if any, of their manufacturer. Graco will provide purchaser with reasonable assistance in making any claim for breach of these warranties.