



This manual contains **IMPORTANT WARNINGS** and **INSTRUCTIONS READ AND RETAIN FOR REFERENCE**

## HYDRA-CLEAN® 3050, 3540, 4043 Pressure Washer

**HYDRA-CLEAN® 3050, 13 HP ENGINE**  
**P/N 800-681, Series A**

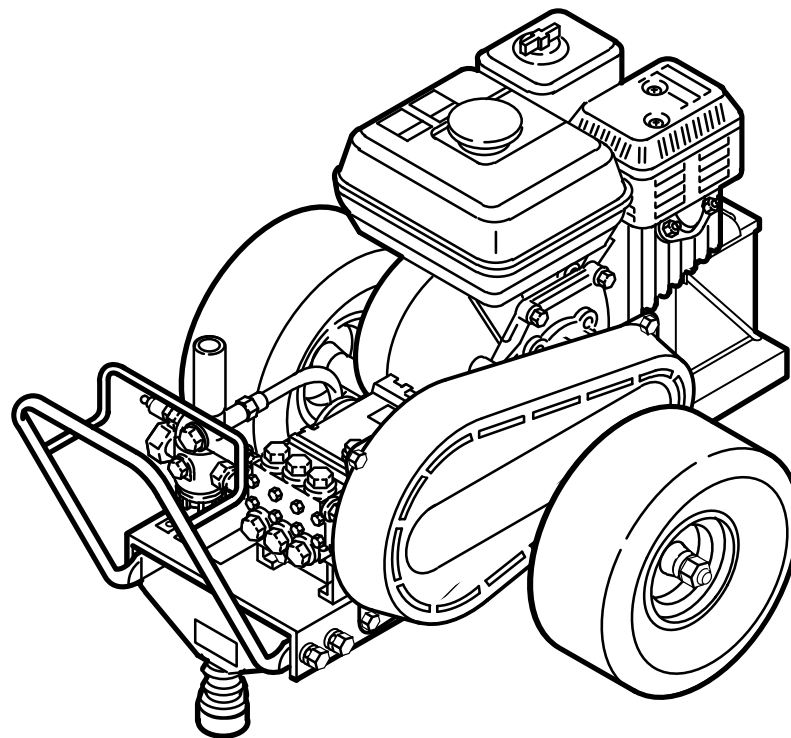
*3000 psi (207 bar) OPERATING PRESSURE*  
*3400 psi (234 bar) MAXIMUM WORKING PRESSURE*

**HYDRA-CLEAN® 3540, 13 HP ENGINE**  
**P/N 800-635, Series A**  
**P/N 800-636, Series A**

*3500 psi (241 bar) OPERATING PRESSURE*  
*3900 psi (269 bar) MAXIMUM WORKING PRESSURE*

**HYDRA-CLEAN® 4043, 16 HP ENGINE**  
**P/N 800-637, Series A**

*4000 psi (276 bar) OPERATING PRESSURE*  
*4300 psi (296 bar) MAXIMUM WORKING PRESSURE*



**GRACO INC. P.O. Box 1441 MINNEAPOLIS, MN 55440-1441**

©COPYRIGHT 1991, GRACO INC.

# WARNING

**HIGH PRESSURE SPRAY CAN CAUSE SERIOUS INJURY.  
FOR PROFESSIONAL USE ONLY. OBSERVE ALL WARNINGS.**

**Read and understand all instruction manuals before operating equipment.**

## FLUID INJECTION HAZARD

### General Safety

This pressure washer generates very high fluid pressure. Spray from the gun, leaks or ruptured components can inject fluid through your skin and into your body and cause extremely serious bodily injury including the need for amputation. Also, fluid injected or splashed into the eyes or on the skin can cause serious damage.

*NEVER* point the spray gun or wand at anyone or at any part of the body. *NEVER* put hand or fingers over the spray tip.

*ALWAYS* follow the **Pressure Relief Procedure**, *before* cleaning or servicing any part of the sprayer.

*NEVER* try to stop or deflect leaks with your hand or body.

Be sure equipment safety devices are operating properly before each use.

### Medical Treatment

If any fluid appears to penetrate your skin, get **EMERGENCY MEDICAL TREATMENT AT ONCE. DO NOT TREAT AS A SIMPLE CUT.** Tell the doctor exactly what fluid was injected.

**NOTE TO PHYSICIAN:** *Injection in the skin is a traumatic injury. It is important to treat the injury surgically as soon as possible. Do not delay treatment to research toxicity. Toxicity is a concern with some exotic coatings injected directly into the bloodstream. Consultation with a plastic surgeon or reconstructive hand surgeon may be advisable.*

### Pressure Relief Procedure

To reduce the risk of serious bodily injury, including fluid injection and splashing in the eyes or on the skin, always follow this procedure whenever you stop spraying for more than 10 minutes, when shutting down, and before checking or repairing any part of the system.

1. Engage the trigger safety latch.
2. Turn the sprayer off.
3. Remove the ignition cable from the spark plug.
4. Shut off the water supply.
5. Disengage the trigger safety latch and trigger the gun to relieve pressure, and then engage the trigger safety latch again.
6. Before long-term (overnight) storage or transporting of the unit, disconnect the water supply and disconnect the fuel supply.

### Spray Gun Safety Devices

Be sure all gun safety devices are operating properly before each use. Do not remove or modify any part of the gun; this can cause a malfunction and result in serious bodily injury.

**SAFETY LATCH:** Whenever you stop spraying for a moment, always set the gun safety latch in the engaged or "safe" position, making the gun inoperative. Failure to properly set the safety latch can result in accidental triggering of the gun.

**SPRAY TIP SAFETY:** Use extreme caution when cleaning or changing spray tips. If a spray tip clogs while spraying, engage the gun safety latch immediately. *ALWAYS* follow the **Pressure Relief Procedure** and then remove the spray tip to clean it.

## FUEL AND EMISSION HAZARDS

*NEVER* fill the fuel tank while the unit is running or hot. The fuel used in this unit is combustible and when spilled on a hot surface can ignite and cause a fire. *ALWAYS* fill tank slowly to avoid spilling.

*NEVER* operate the unit in a closed building. The exhaust contains carbon monoxide, a poisonous,

odorless, invisible gas which can cause serious injury or death if inhaled.

*NEVER* alter the maximum throttle setting, which is factory set. Tampering with this adjustment can damage the pressure washer and will void the warranty.

## EQUIPMENT MISUSE HAZARD

### General Safety

Any misuse of the pressure washer or accessories, such as overpressurizing, modifying parts, using incompatible chemicals and fluids, or using worn or damaged parts, can cause them to rupture and result in fluid injection, splashing in the eyes or on the skin, or other serious bodily injury, fire, explosion or property damage.

*NEVER* alter or modify any part of this equipment; doing so could cause it to malfunction.

*CHECK* all spray equipment regularly and repair or replace worn or damaged parts immediately.

*ALWAYS* wear protective eyewear and appropriate clothing. If using a chemical injector, read and follow the chemical manufacturer's literature for

recommendations on additional protective equipment, such as a respirator.

### System Pressure

This sprayer can develop high operating pressures. Be sure that all spray equipment and accessories are rated to withstand the maximum working pressure of this sprayer. *DO NOT* exceed the maximum working pressure of any component or accessory used in the system.

### Chemical Compatibility

*BE SURE* that all chemicals used in the chemical injector are compatible with the wetted parts of the hose, gun, wand and tip, as given in the Technical Data (inside back cover). Always read the chemical manufacturer's literature before using any chemical in this pressure washer.

## HOSE SAFETY

High pressure fluid in the hoses can be very dangerous. If the hose develops a leak, split or rupture due to any kind of wear, damage or misuse, the high pressure spray emitted from it can cause a fluid injection injury or other serious bodily injury or property damage.

***ALL FLUID HOSES MUST HAVE STRAIN RELIEFS ON BOTH ENDS.*** The strain reliefs help protect the hose from kinks or bends at or close to the coupling, which can result in hose rupture.

*TIGHTEN* all fluid connections securely before each use. High pressure fluid can dislodge a loose coupling or allow high pressure spray to be emitted from the coupling.

*NEVER* use a damaged hose. Before each use, check entire hose for cuts, leaks, abrasion, bulging cover, or damage or movement of the hose couplings. If any of these conditions exist, replace the hose immediately. *DO NOT* try to recouple high pressure hose or mend it with tape or any other device. A repaired hose cannot contain the high pressure fluid.

***HANDLE AND ROUTE HOSES CAREFULLY.*** Do not pull on hoses to move the pressure washer. Do not use chemicals which are not compatible with the inner tube and cover of the hose. *DO NOT* expose Graco hose to temperatures above 200° F (93° C) or below -40° F (-40° C).

## MOVING PARTS HAZARD

Moving parts can pinch or amputate fingers or other body parts. *KEEP CLEAR* of moving parts when starting or operating the pressure washer.

*NEVER* operate the pressure washer without all guards and interlocks installed and functioning. Follow the

**Pressure Relief Procedure** before checking or servicing the pressure washer to prevent discharging high pressure fluid from the gun.

## TERMS

**WARNING:** Alerts user to avoid or correct conditions that could cause bodily injury.

**CAUTION:** Alerts user to avoid or correct conditions that could cause damage to the equipment.

**NOTE:** Identifies helpful procedures and information.

## IMPORTANT

United States Government safety standards have been adopted under the Occupational Safety and Health Act. These standards—particularly the General Standards, Part 1910, and the Construction Standards, Part 1926—should be consulted.

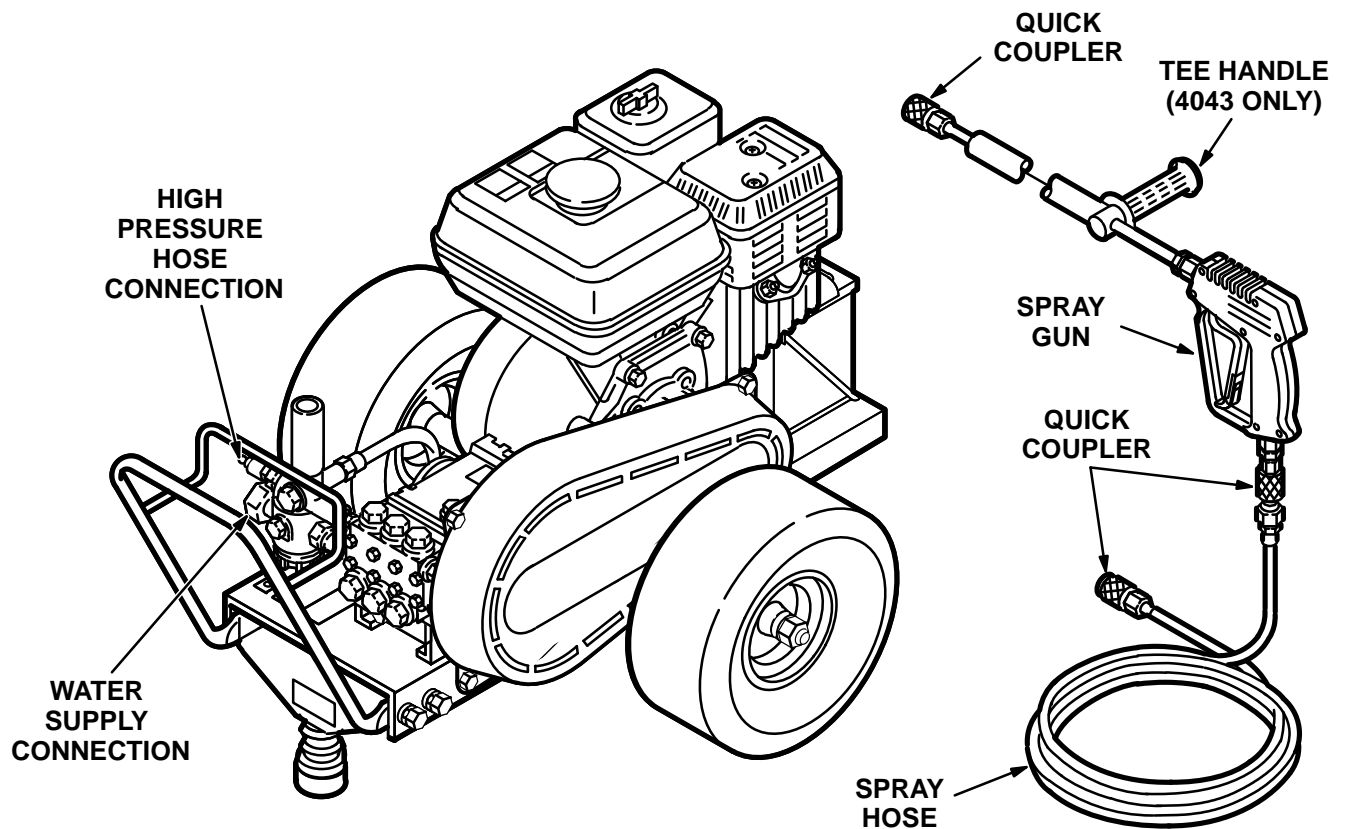


Figure 1

### Check for Shipping Damage

Check the unit for any damage that may have occurred in shipping. **Notify the carrier immediately** if there is any damage.

### Set Up

Fill the battery cells with electrolyte and water. Charge the battery. Be sure the battery connections are correct and secure. Connect the fuel line to the engine using the quick coupler provided. Squeeze the priming bulb 3 to 5 times. If you are using a downstream chemical injector, install it between the pump unloader and the high pressure hose, using the quick couplers provided.

Connect the high pressure hose between the pump outlet and the gun inlet. Both of these connections are made with quick couplers.

#### CAUTION

Up to 100 ft (30 m) of high pressure hose may be used. Longer hoses may affect sprayer performance, and chemical injector performance, if used.

Install the appropriate spray tip on the wand. See Installing and Changing Spray Tips. If you are using a sandblaster kit, see its separate manual for installation instructions.

### Connect to Water Supply

#### CAUTION

Before attaching to the water supply, check your local plumbing code regarding cross-connection to the water supply. A backflow preventer, P/N 801-133, is available to prevent backflow of contaminated water into the fresh water supply. Install it upstream from the pump.

If inlet water pressure is over 60 psi (4.1 bar) a regulating water valve, P/N 800-258, must be installed at the garden hose connection.

Do not exceed 160° F (70° C) inlet water temperature.

Connect a hose with at least a 3/4 inch (19 mm) ID from the water supply to the unit's 3/4 inch garden hose inlet. The supply hose should not be more than 50 ft (15 m) long.

**NOTE:** The water source at the unit *must* have a minimum flow rate equal to that of the unit (see Technical Data, inside back cover).

## STARTUP

Always use this startup procedure to ensure that the unit is started safely and properly.

### 1. Check oil levels.

Engine: Add SAE 30 or 10W–30 weight detergent oil as necessary.

Pump: Add SAE 20 or 30 weight non-detergent oil as necessary.

**NOTE:** This pressure washer is equipped with a low-oil sensor that shuts the engine off if the oil level falls below a certain level. If the unit stops unexpectedly, check both the oil and the fuel levels. Check the oil level each time the unit is refueled.

### 2. Check fuel level.

#### WARNING

*DO NOT* refuel a hot engine. Refueling a hot engine could cause a fire. Use only fresh, clean regular or unleaded gasoline. Close the fuel shutoff valve during refueling.

### 3. Turn on the water supply.

#### CAUTION

Never run the unit dry. Costly damage to the pump will result. Always be sure the water supply is completely turned on before operating.

### 4. Trigger the gun until water sprays from the tip indicating that the air is purged from the system.

### 5. Open the fuel shutoff valve. Be sure the spark plug ignition cables are pushed firmly onto the spark plugs. Put the ignition shutoff switch in the "on" position and the throttle in the "run" position.

### 6. Start the engine.

**NOTE:** For easier starting, have one person start the pressure washer while another person triggers the spray gun.

If the engine is cold, completely close the engine choke. Press the start button. In cool weather, the choke may have to be kept closed for 10 to 30 seconds before opening it to keep the engine running. Otherwise, open the choke as soon as the engine starts.

If the engine is warm, leave the choke open or partially closed. Start the engine as described in the preceding paragraph. When the engine starts, be sure to open the choke completely.

### 7. ALWAYS engage the gun's trigger safety latch whenever you stop spraying, even for a moment, to reduce the risk of fluid injection or splashing in the eyes or on the skin if the gun is bumped or triggered accidentally.

### 8. ALWAYS observe the following CAUTIONS to avoid costly damage to the pressure washer.

#### CAUTION

*DO NOT* allow the pressure washer to idle for more than 10 minutes. Doing so may cause the recirculating water to overheat and seriously damage the pump. Turn off the pressure washer if it will not be spraying or cleaning at least every 10 minutes. If heated inlet water is used, reduce this time further.

*DO NOT* run the pump dry, which will quickly damage the pump. Be sure the water supply is fully turned on before starting the pump.

*DO NOT* operate the pressure washer with the inlet water screen removed. This screen helps keep abrasive sediment out of the pump, which could clog or scratch the pump. Keep this screen clean.

*DO NOT* pump caustic materials; such materials may corrode the pump components.

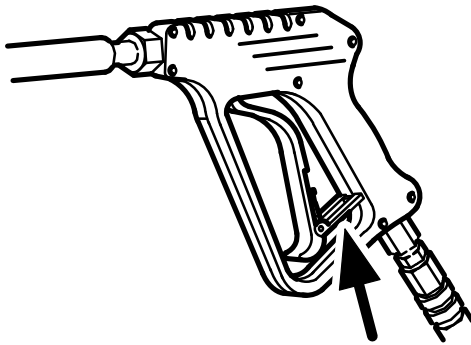
### 9. See the chemical injector or sandblaster kit manual for detailed cleaning information if these accessories are used.

## Trigger Safety Latch

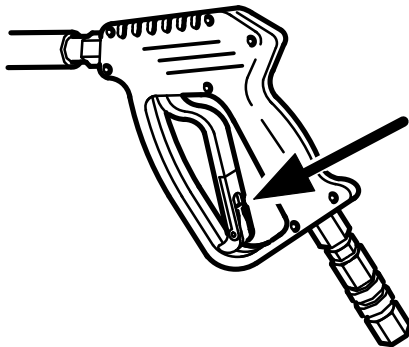
### WARNING

To reduce the risk of serious bodily injury, including fluid injection, splashing in the eyes or on the skin, **ALWAYS** engage the trigger safety latch whenever spraying stops, even for a moment.

In the engaged position, the trigger safety latch prevents the gun from being triggered accidentally by hand or if it is dropped or bumped. Be sure the latch is pushed fully down when engaging it or it cannot prevent the gun from being triggered. See Figure 2.



TRIGGER SAFETY LATCH SHOWN ENGAGED



TRIGGER SAFETY LATCH SHOWN  
DISENGAGED

Figure 2

## Installing and Changing Spray Tips

### WARNING

To reduce the risk of serious bodily injury, including fluid injection or splashing in the eyes or onto the skin, use extreme caution when changing spray tips. **ALWAYS** follow the procedure below.

1. Follow the **Pressure Relief Procedure**.
2. Point the gun and wand away from yourself and anyone else.
3. Without holding your hand over the spray tip (A), pull back the quick coupler ring (B). Remove the old tip and/or install a new one, and then release the ring. See Figure 3.
4. Be sure the tip is secure before starting to spray again.
5. Tip holding holes are provided on the chassis.

### CAUTION

To avoid blowing the o-ring out of the quick coupler, due to the high pressure in the system, never operate the pressure washer without a tip securely mounted in the quick coupler.

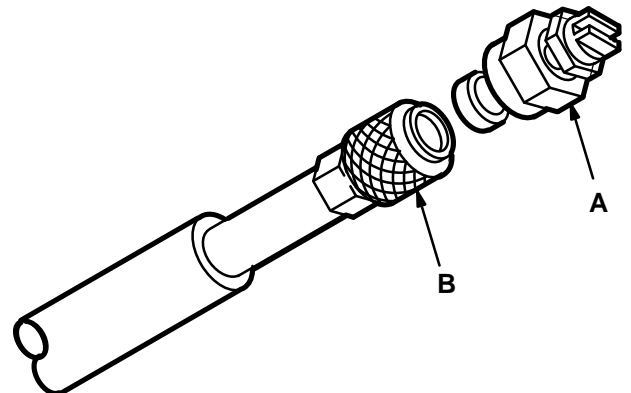


Figure 3

## SHUTDOWN, FLUSHING AND STORAGE

### WARNING

#### Pressure Relief Procedure

To reduce the risk of serious bodily injury, including fluid injection and splashing in the eyes, or on the skin, always follow this procedure whenever you stop spraying for more than 10 minutes, when shutting down, and before checking or repairing any part of the system.

1. Engage the trigger safety latch.
2. Turn the sprayer off.
3. Remove the ignition cable from the spark plug.
4. Shut off the water supply.
5. Disengage the trigger safety latch and trigger the gun to relieve pressure, and then engage the trigger safety latch again.
6. Before long-term (overnight) storage or transporting of the unit, disconnect the water supply, and disconnect the fuel supply.

1. If the pressure washer will be exposed to freezing temperatures, drain all water out of the pump. If it must be stored in freezing temperatures, flush the unit with a 50% anti-freeze solution. Relieve pressure. Flush the pressure washer before using it again to remove the anti-freeze.

**NOTE:** An anti-freeze flush kit, P/N 802-327, is available to make flushing easier.

### CAUTION

If water does freeze in the pressure washer, thaw it in a warm room before trying to start it. *DO NOT* pour hot water on or into the pump; it may crack the ceramic plungers!

2. After each use, wipe all surfaces of the pressure washer with a clean, damp cloth.
3. Perform the appropriate maintenance. See maintenance chart.

## MAINTENANCE

Observing regular maintenance intervals helps ensure that you get maximum performance and life from the pressure washer.

There is a break-in period for the engine and pump. After changing the oil in these components following their respective break-in periods, the interval between required changes is longer.

If the unit is operating in dusty conditions, these maintenance checks should be made more often.

### WARNING

To reduce the risk of serious bodily injury, including fluid injection, splashing in the eyes or on the skin or injury from moving parts, always follow the **Pressure Relief Procedure Warning** before proceeding.

Interval	What to do
Daily	Clean water inlet screen and filter. Check engine and pump oil levels. Fill as necessary. Check gasoline level. Fill as necessary.
After first 5 hours of operation	Change engine break-in oil. Drain oil when warm. Use SAE 30 or 10W-30 detergent oil.
Each 25 hours of operation	Clean and remove air cleaner foam. Wash with water and detergent. Dry thoroughly. Rub with oil and squeeze to distribute oil.
After first 50 hours of operation	Change pump break-in oil. Use SAE 20 or 30 non-detergent oil.
Each 100 hours of operation or 3 months	Clean or replace paper air cleaner cartridge. Tap gently to remove dirt. Change engine oil. Use SAE 30 or 10W-30 detergent oil.
Each 500 hours of operation or 6 months	Change pump oil. Use SAE 20 or 30 non-detergent oil.



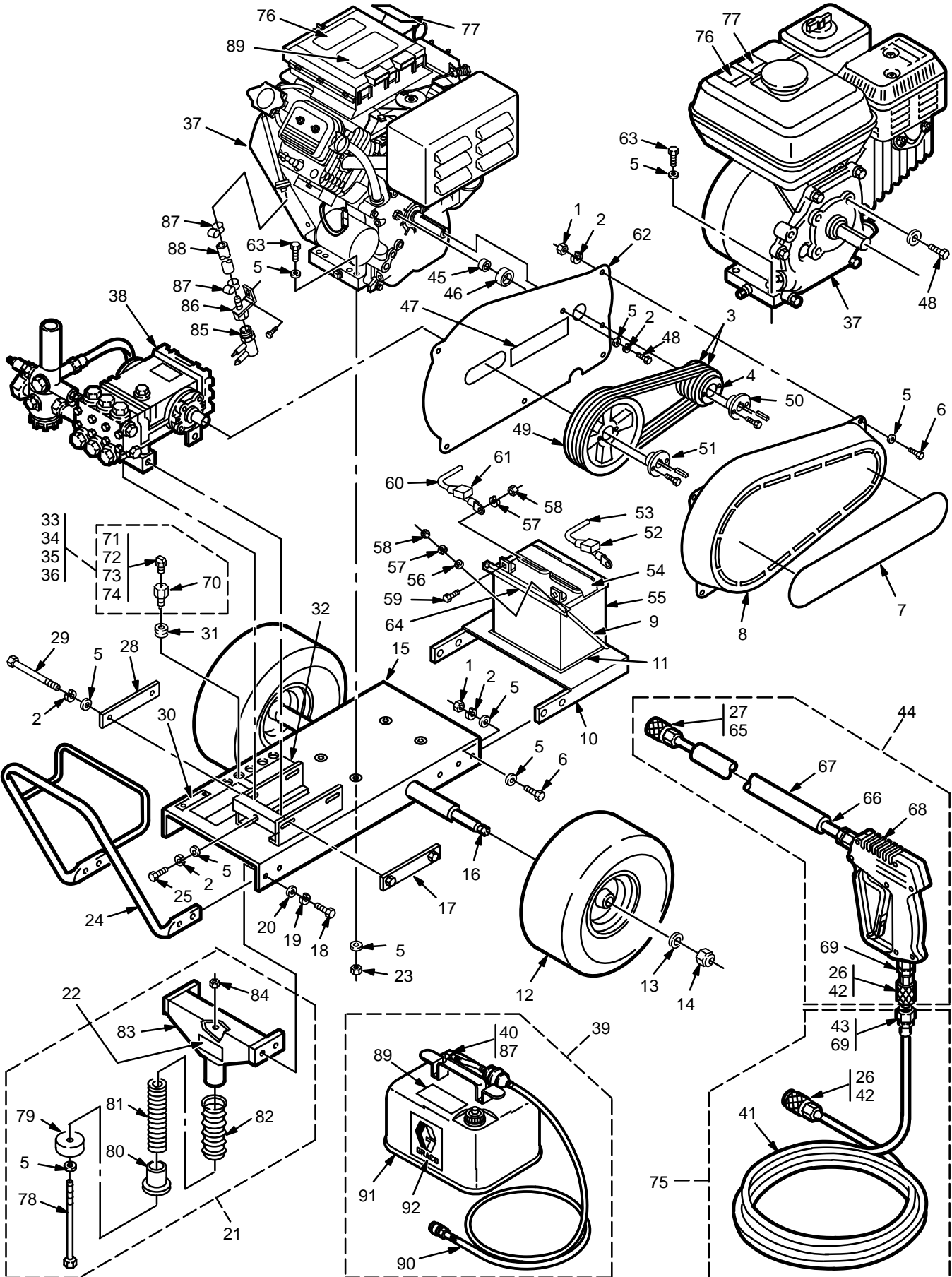
## TROUBLESHOOTING CHART

### WARNING

To reduce the risk of serious bodily injury, including fluid injection, splashing in the eyes or on the skin or injury from moving parts, always follow the **Pressure Relief Procedure Warning** before proceeding.

Problem	Cause	Solution
Engine will not start or is hard to start	<p>No gasoline in fuel tank or carburetor.</p> <p>Low oil level.</p> <p>Start/Stop switch in Stop position.</p> <p>Water in gasoline or old fuel.</p> <p>Loose or wrong battery connection.</p> <p>Battery not properly charged.</p> <p>Choked improperly. Flooded engine.</p> <p>Dirty air cleaner filter.</p> <p>Spark plug dirty, wrong gap or wrong type.</p> <p>Spray gun closed.</p>	<p>Fill the tank with gasoline, open fuel shut off valve. Check fuel line and carburetor.</p> <p>Add to proper level.</p> <p>Move switch to start position.</p> <p>Drain fuel tank and carburetor. Use new fuel and dry spark plug.</p> <p>Check and tighten battery connections.</p> <p>Check electrolyte level of cells, recharge battery.</p> <p>Open choke and crank engine several times to clear out gas.</p> <p>Remove and clean.</p> <p>Clean, adjust the gap or replace.</p> <p>Trigger spray gun.</p>
Engine misses or lacks power	<p>Partially plugged air cleaner filter.</p> <p>Spark plug dirty, wrong gap or wrong type.</p> <p>Incorrect ignition timing.</p>	<p>Remove and clean.</p> <p>Clean, adjust the gap or replace.</p> <p>Time engine.</p>
Low pressure and/or pump runs rough	<p>Worn or wrong size tip.</p> <p>Inlet filter clogged.</p> <p>Worn packings, abrasives in water or natural wear.</p> <p>Inadequate water supply.</p> <p>Belt slippage.</p> <p>Fouled or dirty inlet or discharge valves. Even a small particle can cause the valve to stick.</p> <p>Restricted inlet.</p> <p>Worn inlet or discharge valves.</p> <p>Leaking high pressure hose.</p>	<p>Replace with tip of proper size.</p> <p>Clean. Check more frequently.</p> <p>Check filter. Replace packings. See PUMP SERVICE.</p> <p>Check water flow rate to pump.</p> <p>Tighten or replace; use correct belts and replace both at same time.</p> <p>Clean inlet and discharge valve assemblies. Check filter.</p> <p>Check garden hose, may be collapsed or kinked.</p> <p>Replace worn valves.</p> <p>Replace high pressure hose.</p>
Water leakage from under pump manifold	<p>Worn packings.</p>	<p>Install new packings. See PUMP SERVICE.</p>
Water in pump	<p>Humid air condensing inside crankcase.</p> <p>Worn packings.</p> <p>Oil seals leaking.</p>	<p>Change oil as specified in MAINTENANCE.</p> <p>Install new packings. See PUMP SERVICE.</p> <p>Install new oil seals. See PUMP SERVICE.</p>
Frequent or premature failure of the packings	<p>Scored, damaged or worn plungers.</p> <p>Abrasive material in the fluid being pumped.</p> <p>Inlet water temperature too high.</p> <p>Overpressurizing pump.</p> <p>Excessive pressure due to partially plugged or damaged tip.</p> <p>Pump running too long without spraying.</p> <p>Running pump dry.</p>	<p>Install new plungers. See PUMP SERVICE.</p> <p>Install proper filtration on pump inlet plumbing.</p> <p>Check water temperature; may not exceed 160°F.</p> <p>Do not modify any factory-set adjustments. See EQUIPMENT MISUSE HAZARD.</p> <p>Clean or replace tip. See Installing and Changing Spray Tips.</p> <p>Never run pump more than 10 minutes without spraying.</p> <p>Do not run pump without water.</p>
Strong surging at the inlet and low pressure on the discharge side	<p>Foreign particles in the inlet or discharge valve or worn inlet and/or discharge valves.</p>	<p>Clean or replace valves. See PUMP SERVICE.</p>

**PARTS DRAWING**  
**800-635 & 800-636 Hydra-Clean® 3540 Pressure Washer**

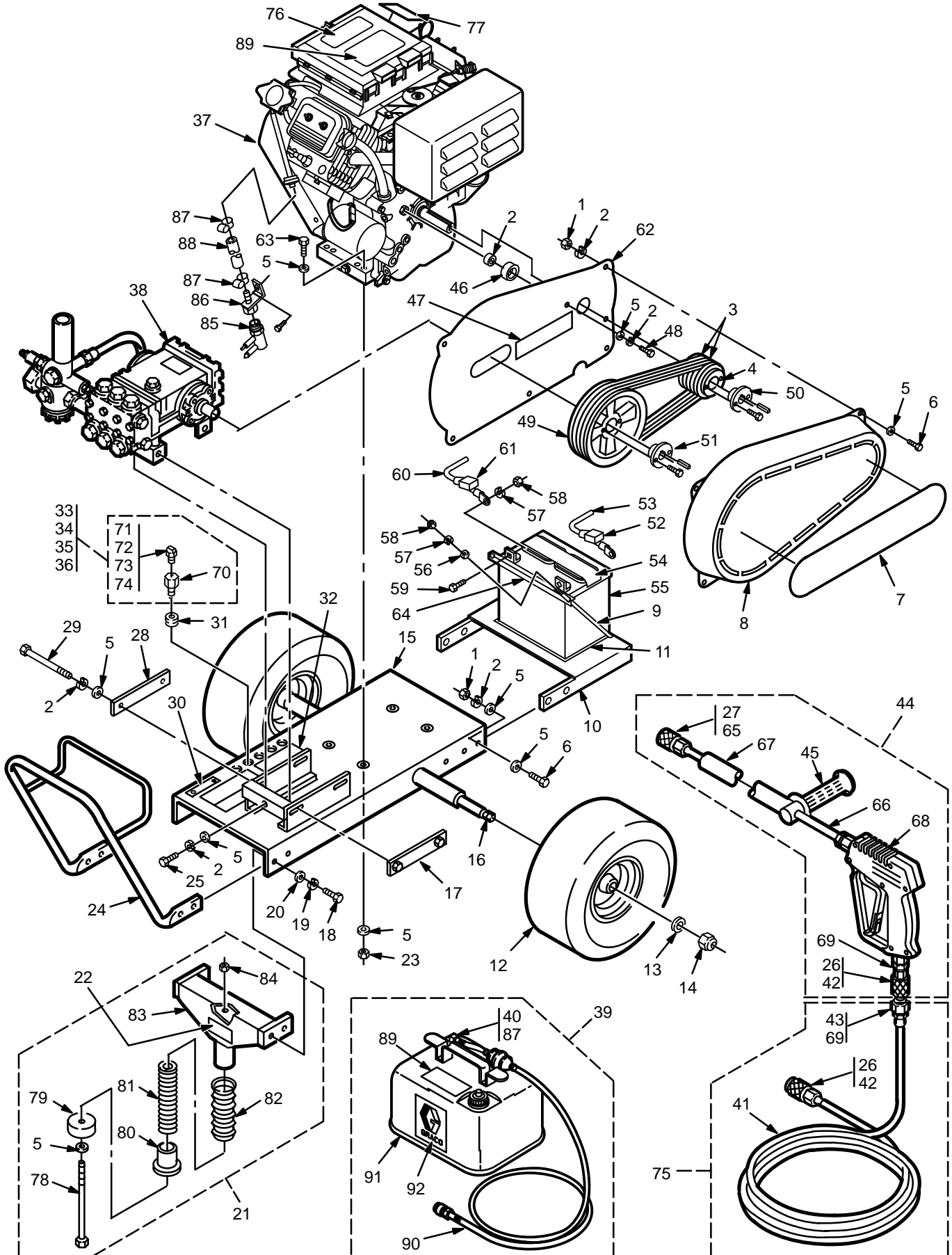


# PARTS LIST

## 800-635 & 800-636 Hydra-Clean® 3540 Pressure Washer

REF NO.	PART NO.	DESCRIPTION	QTY	REF NO.	PART NO.	DESCRIPTION	QTY
1	100-188	NUT, Hex 5/16-18	11	47	177-144	LABEL, Belt Guard	1
2	100-214	WASHER, Lock 5/16	13	48	803-535	SCREW, Cap, Hex hd (used on 800-635 only)	1
3	803-945	BELT, Drive	2		801-559	SCREW, Cap, Hex hd (used on 800-636 only)	1
4	803-800	SHEAVE, Engine	1	49	803-942	SHEAVE, Pump	1
5	100-023	WASHER, Flat 5/16	26	50	801-898	HUB, Engine	1
6	801-941	SCREW, Cap, Hex hd 5/16-18 x 1	9	51	801-135	HUB, Pump	1
7	803-534	LABEL, Belt Guard	1	52	801-959	TERMINAL PROTECTOR, Black	1
8	803-926	BELT GUARD	1	53	801-945	CABLE, Battery 12" Long	1
9	803-525	BOLT, Battery	2	54	803-077	LABEL, BATTERY	1
10	804-282	BRACKET, Battery	1	55	801-954	BATTERY, 12 Volt, 30 Amp	1
11	801-972	PAD, Battery	1	56	100-527	WASHER, Flat 1/4	2
12	801-550	WHEEL & TIRE ASSEMBLY	2	57	100-016	WASHER, Lock 1/4	4
13	801-612	WASHER, Flat 1/2	2	58	100-015	NUT, Hex 1/4-20	4
14	801-020	NUT, Lock 1/2-13	2	59	801-964	BOLT, Carriage 1/4-20 x 1	2
15	800-676	CHASSIS	1	60	801-946	CABLE, Battery 24" Long	1
16	801-556	AXLE	1	61	801-958	TERMINAL PROTECTOR, Red	1
17	800-678	BRACKET, Rail Stiffener	1	62	803-531	BASEPLATE, Belt Guard	1
18	801-546	SCREW, Cap, Hex hd 3/8-16 x 1-1/4	4	63	801-022	SCREW, Cap, Hex hd 5/16-18 x 3/4	4
19	100-133	WASHER, Lock 3/8	4	64	107-069	BRACKET, Battery	1
20	100-132	WASHER, Flat 3/8	4	65	801-009	QUICK COUPLER, Female 1/4 (incl. 27)	1
21	800-160	FRONT LEG ASSEMBLY (incl. 5, 78 through 84)	1	66	801-134	WAND, 32"	1
22	803-905	LABEL, Model 3540	1	67	801-674	SLEEVE, 28"	1
23	111-040	NUT, Lock 5/16-18	4	68	803-350	GUN, Spray (see Instruction Manual 308-511)	1
24	803-925	HANDLE	1	69	156-849	NIPPLE, Hex 3/8	1
25	803-298	SCREW, Cap, Hex hd 5/16-18 x 3-1/2	1	70	801-090	QUICK COUPLER, Male 1/4	4
26	156-082	O-RING, Quick Coupler 3/8	2	71	803-106	TIP, Spray 00045	1
27	154-594	O-RING, Quick Coupler 1/4	1	72	803-107	TIP, Spray 15045	1
28	802-016	BRACKET, Rail Stiffener	1	73	803-108	TIP, Spray 25045	1
29	801-522	SCREW, Cap, Hex hd	2	74	803-109	TIP, Spray 40045	1
30	176-250	LABEL, Chassis	1	75	800-375	HOSE ASSEMBLY W/QUICK COUPLERS (incl. 41, 42, 43)	1
31	801-548	GROMMET, Rubber	5	76	802-363	LABEL, Caution	1
32	172-981	LABEL, Chassis	1	77	181-867	LABEL, Warning	1
33	800-314	TIP ASS'Y, 00045 (incl. 70, 71)	1	78	801-531	SCREW, Cap, Hex hd 3/8-16 x 7	1
34	800-315	TIP ASS'Y, 15045 (incl. 70, 72)	1	79	801-504	BUMPER, Rubber	1
35	800-316	TIP ASS'Y, 25045 (incl. 70, 73)	1	80	801-505	RETAINER, Spring	1
36	800-317	TIP ASS'Y, 40045 (incl. 70, 74)	1	81	801-593	SPRING	1
37	803-883	ENGINE, 12.5 HP, Briggs & Stratton Vanguard OHV (used on 800-635 only)	1	82	801-506	BOOT	1
	803-967	ENGINE, 13 HP, Honda OHV (used on 800-636 only)	1	83	801-537	LEG, Front	1
38		PUMP ASS'Y (see page 16)	1	84	801-499	NUT, Lock 3/8-16	1
39	800-652	FUEL TANK ASSEMBLY (incl. 40, 87, 89, 90, 91, 92) (used on 800-635 only)	1	85	802-907	CONNECTOR, Fuel (used on 800-635 only)	1
40	801-733	BARB, Hose 1/4 (used on 800-635 only)	1	86	801-919	BRACKET, Fuel Connector (used on 800-635 only)	1
41	801-571	HOSE, High Pressure 3/8 x 50'	1	87	801-971	CLAMP, Hose (used on 800-635 only)	3
42	801-569	QUICK COUPLER, Female 3/8 (incl. 26)	2	88	801-629	LINE, Fuel (used on 800-635 only)	1
43	801-568	QUICK COUPLER, Male 3/8	2	89	801-716	LABEL, Warning (used on 800-635 only)	2
44	800-392	GUN & WAND ASSEMBLY (incl. 42, 65, 66, 67, 68, 69)	1	90	803-881	LINE, Fuel w/Squeeze Bulb (used on 800-635 only)	1
45	100-023	WASHER, Flat 5/16 (used on 800-635 only)	1	91	802-025	TANK, Fuel (used on 800-635 only)	1
	803-526	SPACER (used on 800-636 only)	1	92	801-008	LABEL, Graco G (used on 800-635 only)	1
46	801-217	BUMPER, Rubber	1				

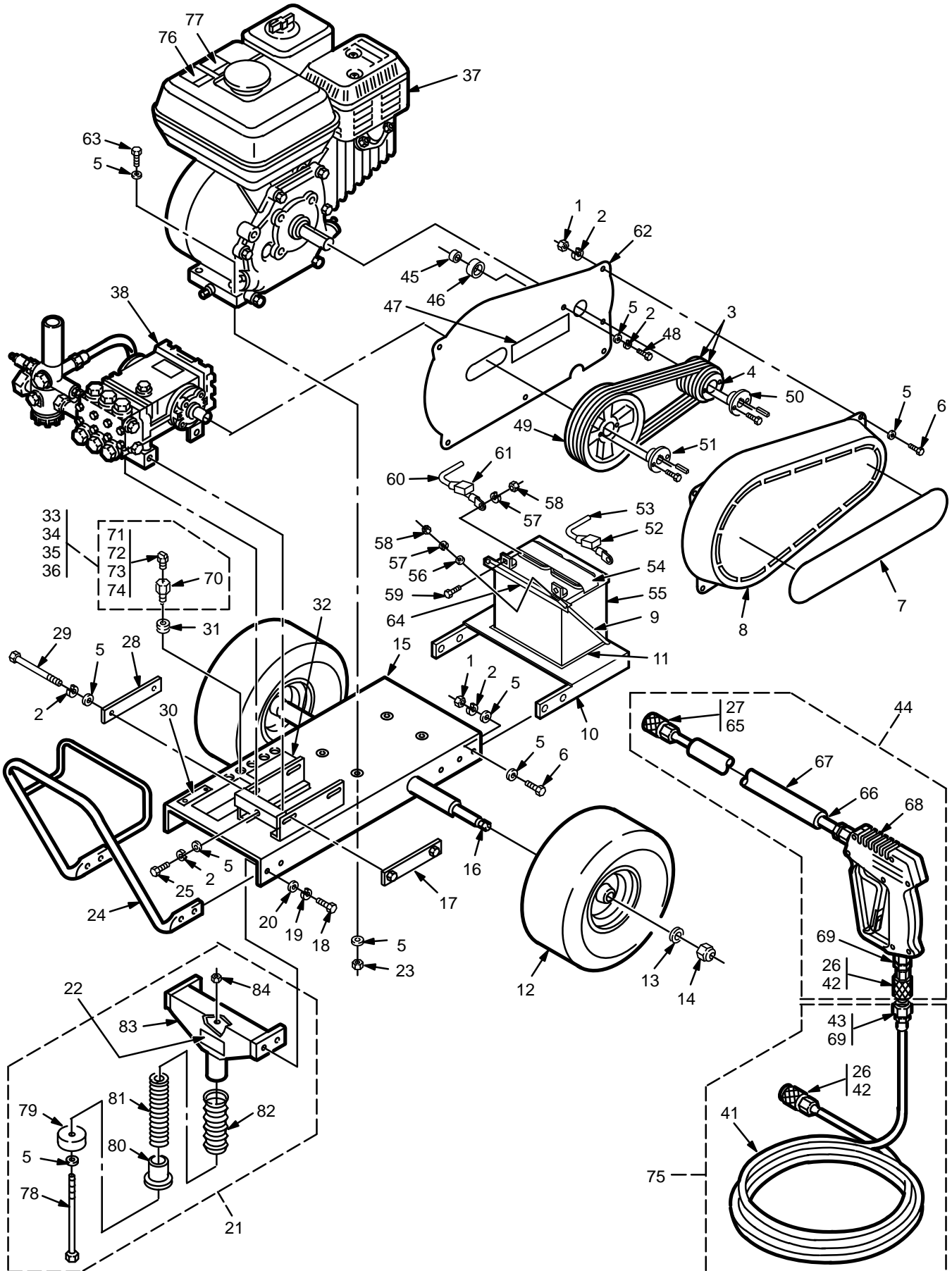
**PARTS DRAWING**  
**800-637 Hydra-Clean® 4043 Pressure Washer**



**PARTS LIST**  
**800-637 Hydra-Clean® 4043 Pressure Washer**

REF NO.	PART NO.	DESCRIPTION	QTY	REF NO.	PART NO.	DESCRIPTION	QTY
1	100-188	NUT, Hex 5/16-18	11	46	801-217	BUMPER, Rubber	1
2	100-214	WASHER, Lock 5/16	13	47	177-144	LABEL, Belt Guard	1
3	803-889	BELT, Drive	2	48	803-535	SCREW, Cap, Hex hd	1
4	803-943	SHEAVE, Engine	1	49	803-944	SHEAVE, Pump	1
5	100-023	WASHER, Flat 5/16	26	50	801-898	HUB, Engine	1
6	801-941	SCREW, Cap, Hex hd 5/16-18 x 1	9	51	801-135	HUB, Pump	1
7	803-534	LABEL, Belt Guard	1	52	801-959	TERMINAL PROTECTOR, Black	1
8	803-926	BELT GUARD	1	53	801-945	CABLE, Battery 12" Long	1
9	803-525	BOLT, Battery	2	54	803-077	LABEL, BATTERY	1
10	803-530	BRACKET, Battery	1	55	801-954	BATTERY, 12 Volt, 30 Amp	1
11	801-972	PAD, Battery	1	56	100-527	WASHER, Flat 1/4	2
12	801-550	WHEEL & TIRE ASSEMBLY	2	57	100-016	WASHER, Lock 1/4	4
13	801-612	WASHER, Flat 1/2	2	58	100-015	NUT, Hex 1/4-20	4
14	801-020	NUT, Lock 1/2-13	2	59	801-964	BOLT, Carriage 1/4-20 x 1	2
15	800-676	CHASSIS	1	60	801-946	CABLE, Battery 24" Long	1
16	801-556	AXLE	1	61	801-958	TERMINAL PROTECTOR, Red	1
17	800-678	BRACKET, Rail Stiffener	1	62	803-531	BASEPLATE, Belt Guard	1
18	801-546	SCREW, Cap, Hex hd 3/8-16 x 1-1/4	4	63	801-022	SCREW, Cap, Hex hd 5/16-18 x 3/4	4
19	100-133	WASHER, Lock 3/8	4	64	107-069	BRACKET Battery	1
20	100-132	WASHER, Flat 3/8	4	65	801-009	QUICK COUPLER, Female 1/4 (incl. 27)	1
21	800-160	FRONT LEG ASSEMBLY (incl. 5, 78 thru 84)	1	66	801-134	WAND, 32"	1
22	803-906	LABEL, Model 4043	1	67	801-674	SLEEVE, 28"	1
23	111-040	NUT, Lock 5/16-18	4	68	803-351	GUN, Spray (see Instruction Manual 308-511)	1
24	803-925	HANDLE	1	69	156-849	NIPPLE, Hex 3/8	1
25	803-298	SCREW, Cap, Hex hd 5/16-18 x 3-1/2	1	70	801-090	QUICK COUPLER, Male 1/4	4
26	156-082	O-RING, Quick Coupler 3/8	2	71	803-106	TIP, Spray 00045	1
27	154-594	O-RING, Quick Coupler 1/4	1	72	803-107	TIP, Spray 15045	1
28	802-016	BRACKET, Rail Stiffener	1	73	803-108	TIP, Spray 25045	1
29	801-522	SCREW, Cap, Hex hd	2	74	803-109	TIP, Spray 40045	1
30	176-250	LABEL, Chassis	1	75	800-450	HOSE ASSEMBLY W/QUICK COUPLERS (incl. 41, 42, 43)	1
31	801-548	GROMMET, Rubber	5	76	802-363	LABEL, Caution	1
32	172-981	LABEL, Chassis	1	77	181-867	LABEL, Warning	1
33	800-314	TIP ASS'Y, 00045 (incl. 70, 71)	1	78	801-531	SCREW, Cap, Hex hd 3/8-16 x 7	1
34	800-315	TIP ASS'Y, 15045 (incl. 70, 72)	1	79	801-504	BUMPER, Rubber	1
35	800-316	TIP ASS'Y, 25045 (incl. 70, 73)	1	80	801-505	RETAINER, Spring	1
36	800-317	TIP ASS'Y, 40045 (incl. 70, 74)	1	81	801-593	SPRING	1
37	803-884	ENGINE, 16 HP, Briggs & Stratton Vanguard OHV	1	82	801-506	BOOT	1
38		PUMP ASS'Y (see page 16)	1	83	801-537	LEG, Front	1
39	800-652	FUEL TANK ASSEMBLY (incl. 40, 87, 89, 90, 91, 92)	1	84	801-499	NUT, Lock 3/8-16	1
40	801-733	BARB, Hose 1/4	1	85	802-907	CONNECTOR, Fuel	1
41	803-519	HOSE, High Pressure 3/8 x 50'	1	86	801-919	BRACKET, Fuel Connector	1
42	803-157	QUICK COUPLER, Female 3/8 (incl. 26)	2	87	801-971	CLAMP, Hose	3
43	801-568	QUICK COUPLER, Male 3/8	2	88	801-629	LINE, Fuel	1
44	800-429	GUN & WAND ASSEMBLY (incl. 42, 45, 65 thru 69)	1	89	801-716	LABEL, Warning	2
45	802-851	HANDLE, Tee	1	90	803-881	LINE, Fuel w/Squeeze Bulb	1
				91	802-025	TANK, Fuel	1
				92	801-008	LABEL, Graco G	1

**PARTS DRAWING**  
**800-681 Hydra-Clean® 3050 Pressure Washer**

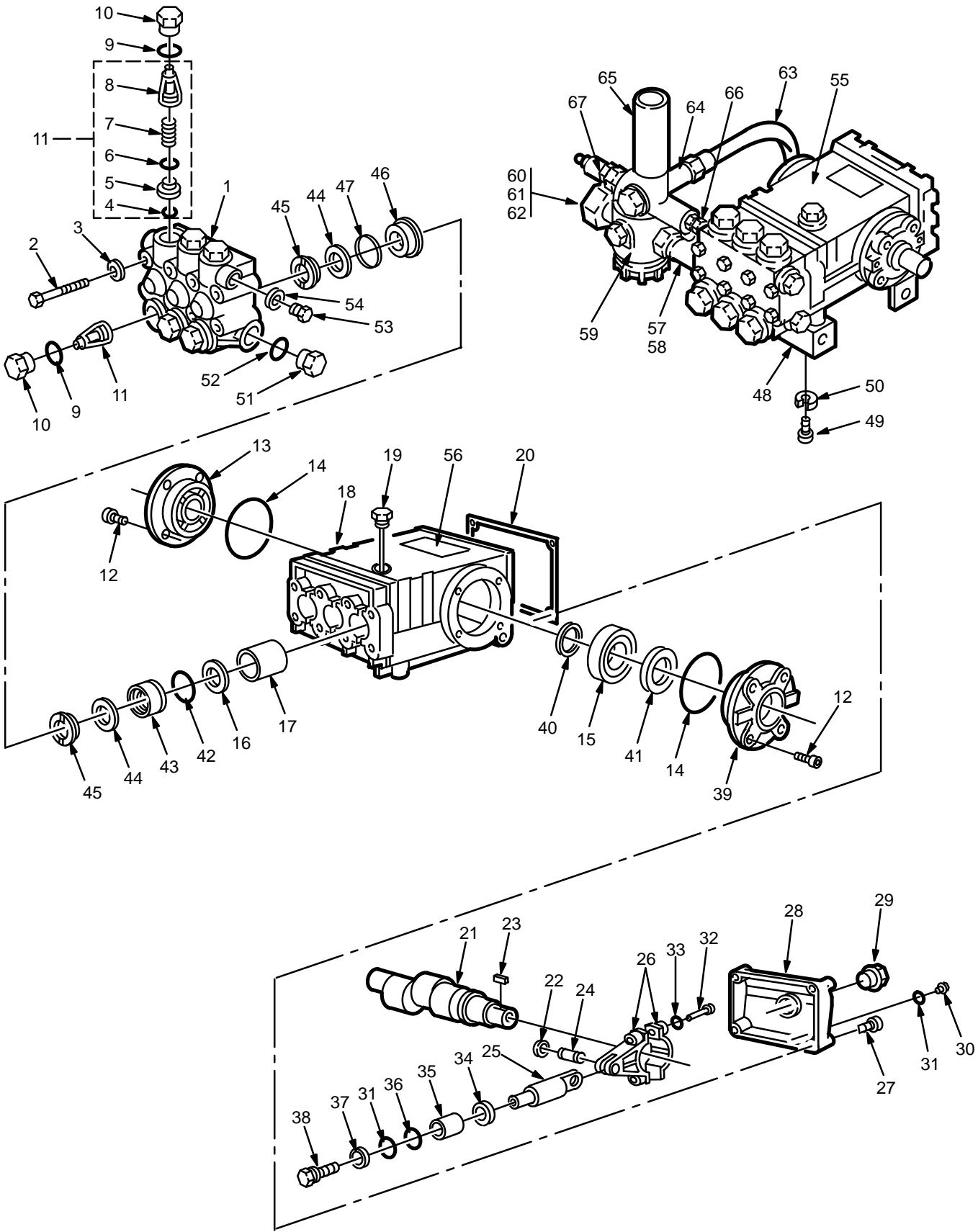


**PARTS LIST**  
**800-681 Hydra-Clean® 3050 Pressure Washer**

REF NO.	PART NO.	DESCRIPTION	QTY	REF NO.	PART NO.	DESCRIPTION	QTY
1	100-188	NUT, Hex 5/16-18	11	45	803-526	SPACER	1
2	100-214	WASHER, Lock 5/16	13	46	801-217	BUMPER, Rubber	1
3	801-285	BELT, Drive	2	47	177-144	LABEL, Belt Guard	1
4	803-941	SHEAVE, Engine	1	48	801-559	SCREW, Cap, Hex hd	1
5	100-023	WASHER, Flat 5/16	26	49	801-004	SHEAVE, Pump	1
6	801-941	SCREW, Cap, Hex hd 5/16-18 x 1	9	50	801-898	HUB, Engine	1
7	803-534	LABEL, Belt Guard	1	51	801-135	HUB, Pump	1
8	803-926	BELT GUARD	1	52	801-959	TERMINAL PROTECTOR, Black	1
9	803-525	BOLT, Battery	2	53	801-945	CABLE, Battery 12" Long	1
10	804-282	BRACKET, Battery	1	54	803-077	LABEL, BATTERY	1
11	801-972	PAD, Battery	1	55	801-954	BATTERY, 12 Volt, 30 Amp	1
12	801-550	WHEEL & TIRE ASSEMBLY	2	56	100-527	WASHER, Flat 1/4	2
13	801-612	WASHER, Flat 1/2	2	57	100-016	WASHER, Lock 1/4	4
14	801-020	NUT, Lock 1/2-13	2	58	100-015	NUT, Hex 1/4-20	4
15	800-676	CHASSIS	1	59	801-964	BOLT, Carriage 1/4-20 x 1	2
16	801-556	AXLE	1	60	801-946	CABLE, Battery 24" Long	1
17	800-678	BRACKET, Rail Stiffener	1	61	801-958	TERMINAL PROTECTOR, Red	1
18	801-546	SCREW, Cap, Hex hd 3/8-16 x 1-1/4	4	62	803-531	BASEPLATE, Belt Guard	1
19	100-133	WASHER, Lock 3/8	4	63	801-022	SCREW, Cap, Hex hd 5/16-18 x 3/4	4
20	100-132	WASHER, Flat 3/8	4	64	107-069	BRACKET, Battery	1
21	800-160	FRONT LEG ASSEMBLY (incl. 5, 78 thru 84)	1	65	801-009	QUICK COUPLER, Female 1/4 (incl. 27)	1
22	803-949	LABEL, Model 3050	1	66	801-134	WAND, 32"	1
23	111-040	NUT, Lock 5/16-18	4	67	801-674	SLEEVE, 28"	1
24	803-925	HANDLE	1	68	803-350	GUN, Spray (see Instruction Manual 308-511)	1
25	803-298	SCREW, Cap, Hex hd 5/16-18 x 3-1/2	1	69	156-849	NIPPLE, Hex 3/8	1
26	156-082	O-RING, Quick Coupler 3/8	2	70	801-090	QUICK COUPLER, Male 1/4	4
27	154-594	O-RING, Quick Coupler 1/4	1	71	801-665	TIP, Spray 0006	1
28	802-016	BRACKET, Rail Stiffener	1	72	801-666	TIP, Spray 1506	1
29	801-522	SCREW, Cap, Hex hd	2	73	801-552	TIP, Spray 2506	1
30	176-250	LABEL, Chassis	1	74	801-553	TIP, Spray 4006	1
31	801-548	GROMMET, Rubber	5	75	800-375	HOSE ASSEMBLY W/QUICK COUPLERS (incl. 41, 42, 43)	1
32	172-981	LABEL, Chassis	1	76	802-363	LABEL, Caution	1
33	800-135	TIP ASS'Y, 0006 (incl. 70, 71)	1	77	181-867	LABEL, Warning	1
34	800-134	TIP ASS'Y, 1506 (incl. 70, 72)	1	78	801-531	SCREW, Cap, Hex hd 3/8-16 x 7	1
35	800-060	TIP ASS'Y, 2506 (incl. 70, 73)	1	79	801-504	BUMPER, Rubber	1
36	800-061	TIP ASS'Y, 4006 (incl. 70, 74)	1	80	801-505	RETAINER, Spring	1
37	803-967	ENGINE, 13 HP, Honda OHV	1	81	801-593	SPRING	1
38		PUMP ASS'Y (see page 16)	1	82	801-506	BOOT	1
41	801-571	HOSE, High Pressure 3/8 x 50'	1	83	801-537	LEG, Front	1
42	801-569	QUICK COUPLER, Female 3/8 (incl. 26)	2	84	801-499	NUT, Lock 3/8-16	1
43	801-568	QUICK COUPLER, Male 3/8	2				
44	800-392	GUN & WAND ASSEMBLY (incl. 42, 65, 66, 67, 68, 69)	1				

# PARTS DRAWING

Pump Assembly, 3000 psi (used on Model 3050), 3500 & 4000 psi (used on Models 3540 & 4043)





## PARTS LIST

### Pump Assembly, 3000 psi (used on Model 3050), 3500 & 4000 psi (used on Models 3540 & 4043)

REF NO.	PART NO.	DESCRIPTION	QTY	REF NO.	PART NO.	DESCRIPTION	QTY
1	801-467	MANIFOLD, 3000 psi	1	55	801-624	PUMP, 3000 psi	1
	803-504	MANIFOLD, 3500 & 4000 psi	1		803-508	PUMP, 3500 & 4000 psi	1
2	801-468	SCREW, Cap, hex hd	8	56	803-083	LABEL, Keep From Freezing, 3000 psi	1
3	801-469	WASHER, Lock	8		803-517	LABEL, Keep From Freezing, 3500 & 4000 psi	1
4	Kit 1	O-RING		57	802-085	NIPPLE 1/2	1
5	Kit 1	SEAT, Valve		58	801-106	TEE 1/2	1
6	Kit 1	PLATE, Valve		59	800-113	FILTER (see Instruction Manual 801-744)	1
7	Kit 1	SPRING		60	801-111	NUT, Garden hose	1
8	Kit 1	GUIDE, Valve		61	801-110	ADAPTER, Garden hose	1
9	Kit 4 or 106	O-RING		62	801-112	STRAINER, Garden hose	1
10	Kit 4 or 106	CAP		63	803-141	HOSE, Bypass	1
11	Kit 1	VALVE ASSEMBLY		64	803-142	NIPPLE, Hex 1/2 NPSM x 3/8 NPT 3000 psi	1
12	803-283	SCREW, Cap, socket hd	8		802-534	NIPPLE, Hex 1/2 NPSM x 1/2 NPT, 3500 & 4000 psi	1
13	803-284	COVER, Crankcase, 3000 psi	1	65	800-325	UNLOADER, 3000 psi	1
	803-506	COVER, Crankcase, 3500 & 4000 psi	1		800-689	UNLOADER, 3500 psi	
14	802-500	O-RING, Crankcase cover	2		800-427	UNLOADER, 4000 psi	1
15	803-324	BEARING, Tapered roller	2	66	801-868	NIPPLE, Hex 3/8, 3000 psi	1
16	Kit 2	SEAL, Oil			801-236	NIPPLE, Hex 1/2x3/8, 3500 & 4000 psi	2
17	803-286	BUSHING, Piston	3	67	801-568	COUPLER, Male 3/8	1
18	802-895	CRANKCASE, 3000 psi	1				
	803-501	CRANKCASE, 3500 & 4000 psi	1				
19	801-475	DIPSTICK	1				
20	803-144	GASKET, Cover	1				
21	803-287	CRANKSHAFT	1				
22	803-288	RING, Retaining	6				
23	802-794	KEY	1				
24	803-289	PIN, Wrist	3				
25	803-325	GUIDE, Piston, 3000 psi	3				
	803-503	GUIDE, Piston, 3500 & 4000 psi	3				
26	803-291	ROD, Connecting	3				
27	803-292	SCREW, Cap, socket hd	5				
28	803-293	COVER, Crankcase, 3000 psi	1				
	803-507	COVER, Crankcase, 3500 & 4000 psi	1				
29	802-345	GAUGE, Sight	1				
30	802-793	PLUG, Oil drain	1				
31	Kit 6 or 107	O-RING					
32	803-294	SCREW, Cap, socket hd	6				
33	803-652	WASHER, Lock	6				
34	Kit 6 or 107	WASHER, Flinger					
35	801-490	PLUNGER, Ceramic	3				
	803-502	PLUNGER, Ceramic	3				
36	Kit 6 or 107	RING, Backup					
37	Kit 6 or 107	WASHER					
38	Kit 6 or 107	SCREW, Piston					
39	803-295	COVER, Crankcase, 3000 psi	1				
	803-505	COVER, Crankcase, 3500 & 4000 psi	1				
40	803-296	SHIM	2				
41	Kit 3	SEAL, Oil					
42	Kit 28 or 109	O-RING					
43	Kit 28 or 109	RETAINER, Packing					
44	Kit 28 or 109	PACKING					
	Kit 8 or 112						
45	Kit 28 or 109	RING, Head					
46	Kit 28 or 109	RETAINER, Packing					
47	Kit 28 or 109	RING, Long Life					
48	801-526	BRACKET, Pump	2				
49	802-305	SCREW, Cap, socket hd	4				
50	802-304	WASHER, Lock	2				
51	801-482	PLUG, Hex	1				
52	801-483	WASHER, Flat	1				
53	801-484	PLUG, Hex	1				
54	801-485	WASHER, Flat	1				

Kit No.	Repair Kit Part No.	Ref No.	Description	Qty.
1	801-472	4	O-RING	6
	Valve	5	SEAT, Valve	6
		6	PLATE, Valve	6
		7	SPRING	6
		8	GUIDE, Valve	6
		11	VALVE ASSEMBLY	6
2	801-473	16	SEAL, Oil	3
3	802-511	41	SEAL, Oil	2
4	802-306	9	O-RING	6
	Valve Cap, 3000 psi	10	CAP	6
6	801-474	31	O-RING	1
	Plunger Repair, 3000 psi	34	WASHER, Flinger	1
		36	RING, Backup	1
		37	WASHER	1
		38	SCREW, Piston	1
8	801-468	44	PACKING	6
	Packing, 3000 psi			
28	801-487	42	O-RING	1
	Packing & Retainer, 3000 psi	43	RETAINER,	1
		44	Packing	2
		45	PACKING	1
		46	RING, Head	1
		47	RETAINER,	1
			Packing	
			RING, Long Life	
106	803-509	9	O-RING	6
	Valve Cap, 3500 & 4000 psi	10	CAP	6
107	803-510	31	O-RING	1
	Plunger Repair, 3500 & 4000 psi	34	WASHER, Flinger	1
		36	RING, Backup	1
		37	WASHER	1
		38	SCREW, Piston	1
109	803-511	42	O-RING	1
	Packing & Retainer, 3500 & 4000 psi	43	RETAINER,	1
		44	Packing	2
		45	PACKING	1
		46	RING, Head	1
		47	RETAINER,	1
			Packing	
			RING, Long Life	
112	803-512	44	PACKING	6
	Packing, 3500 & 4000 psi			

## PUMP SERVICE

### WARNING

To reduce the risk of serious bodily injury, including fluid injection, splashing in the eyes or on the skin, or injury from moving parts, always follow the **Pressure Relief Procedure Warning** before proceeding.

**NOTE:** The following metric wrenches are needed: M10, M13 and M30. Repair kits are available. Refer to the individual repair sections and the pump parts page for more details. For the best results, use all parts in the kits.

**NOTE:** There are two different tool kits to aid in servicing the pump. P/N 800–298 is used to ease installation of packings. P/N 800–271 includes the items in 800–298 and tools to aid in the removal of packing retainers.

### Valves

**NOTE:** For a set of six valves, order P/N 801–472.

1. Remove the hex plug from the manifold using an M30 wrench.
2. Examine the o-ring under the hex plug and replace it if it is cut or distorted.
3. Remove the valve assembly from the cavity; the assembly may come apart.
4. Install the new valve. Install the o-ring and hex plug; torque to 75 ft-lb (103 Nm).

**NOTE:** Retorque the plug after 5 hours of operation.

### Pumping Section

1. Remove the eight capscrews and lockwashers from the manifold using an M13 wrench.
2. Carefully separate the manifold from the crankcase.

**NOTE:** It may be necessary to tap the manifold lightly with a soft mallet to loosen.

### CAUTION

Keep the manifold properly aligned with the ceramic plungers when removing to avoid damage to the plunger or seals.

3. Carefully examine each plunger for any scoring or cracking and replace as necessary.

### Servicing the Plungers

**NOTE:** Plunger repair kit, P/N 801–474 or 803–510 is available to replace retainers, o-rings, washers and backup rings for three cylinders.

1. Loosen the plunger retaining screw five to six turns, using an M10 wrench. Push the plunger towards the crankcase to separate the plunger and retaining screw.
2. Remove the screw from the plunger and examine the o-ring, backup ring and copper bearing/gasket washer. Replace these parts, if necessary, using kit 801–474 or 803–510.
3. Remove the plunger and flinger from the plunger shaft. Clean, examine and replace parts as necessary.
4. Inspect the plunger shaft for oil leakage from the crankcase. If leaking is obvious, replace the oil seals. Otherwise, DO NOT remove these seals as they cannot be reused. An oil seal kit is available to replace the seals.
5. Lightly grease the flinger and oil seal, if it is being replaced and replace them on the plunger shaft. Then install the plunger.
6. Lightly grease the retaining screw and the outer end of the plunger. Place the washer, o-ring and backup ring around the screw and install the screw through the plunger. Torque to 14.4 ft-lb (19.5 Nm).

**NOTE:** If you plan to replace the packings, refer to Servicing the V-Packings.

7. Lubricate the outside of each plunger. Slide the manifold onto the crankcase, being careful not to damage the seals.
8. Install the capscrews and washers finger-tight. Torque the screws to 21.7 ft-lb (29 Nm) following the tightening pattern (Figure 4). Uneven tightening may cause the manifold to bind or jam.

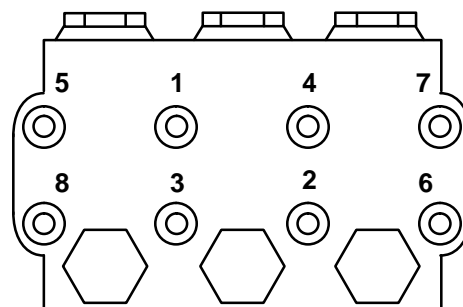


Figure 4

## Servicing the V-Packings

**NOTE:** There are two types of packing kits: one is packings only, the other includes the packings, rings and retainers.

1. Remove the manifold as outlined in the Pumping Section.
2. Carefully pull the packing retainer from the manifold. Examine the o-ring and replace it if it is cut or damaged.
3. Remove the v-packing and head ring. Pull out the intermediate retainer ring. Remove the second v-packing and second head ring.
4. Inspect all parts and replace as necessary.

5. Thoroughly clean the packing cavities and examine for debris and damage.
6. Lightly grease the packing cavities and then replace the packings in the following order: head ring, v-packing, intermediate ring, head ring, v-packing and packing retainer with the o-ring installed in the retainer groove.

### CAUTION

Install the parts in the proper order and facing the correct direction. Improperly installed parts will cause a malfunction.

7. Reassemble the manifold as instructed in Servicing the Plungers.

## ACCESSORIES

(Must be purchased separately)

### DOWNSTREAM CHEMICAL INJECTOR KIT 800-117 (3540)

### 800-649 (3540 & 4043)

For injecting harsh cleaning chemicals downstream from the pump. 800-649 is stainless steel construction.

### UPSTREAM CHEMICAL INJECTOR KIT 800-257

For injecting mild cleaning chemicals upstream into the pump.

### BACKFLOW PREVENTOR 801-133

Prevent back-up of contaminated water into fresh supply. Install upstream of pump.

### WATER SANDBLASTING KIT 800-120

For abrasive cleaning of stubborn dirt and paint. Requires a spray tip which is not included in kit (3245 uses 801-667, 4040 uses 801-600).

### ANTI-FREEZE FLUSH KIT 802-327

For flushing system with 50% anti-freeze solution prior to transporting or storing pressure washer in below freezing temperatures.

### INLET PRESSURE REGULATOR 800-258

Regulates inlet water pressure to 60 psi (4 bar) maximum.

## TECHNICAL DATA

	Model 800-681	Model 800-635	Model 800-636	Model 800-637
Engine (4 cycle, air-cooled)	13 HP Honda OHV	12.5 HP Briggs & Stratton OHV	13 HP Honda OHV	16 HP Briggs & Stratton OHV
Battery	12 Volt, 30 AMP 250 CCA	12 Volt, 30 AMP 250 CCA	12 Volt, 30 AMP 250 CCA	12 Volt, 30 AMP 250 CCA
Gasoline Tank Capacity	2 Gallon (7.6 Liter)	6 Gallon (23 Liter)	2 Gallon (7.6 Liter)	6 Gallon (23 Liter)
Water Pump Maximum Working Pressure	3000 psi (207 bar)	3500 psi (241 bar)	3500 psi (241 bar)	4000 psi (276 bar)
Water Pump Maximum Flow	5 gpm (19 lpm)	4 gpm (15 lpm)	4 gpm (15 lpm)	4.25 gpm (16 lpm)
Inlet Hose Connection	3/4" garden hose (f)	3/4" garden hose (f)	3/4" garden hose (f)	3/4" garden hose (f)
Weight	255 lbs (116 kg)	255 lbs (116 kg)	255 lbs (116 kg)	255 lbs (116 kg)
Dimensions Length Width Height	49" (1245 mm) 30" (762 mm) 26.5" (673 mm)	49" (1245 mm) 30" (762 mm) 26.5" (673 mm)	49" (1245 mm) 30" (762 mm) 26.5" (673 mm)	49" (1245 mm) 30" (762 mm) 26.5" (673 mm)
Maximum Inlet Water Temperature	160°F (70°C)	160°F (70°C)	160°F (70°C)	160°F (70°C)
Wetted Parts High Pressure Hose Bypass Hose Pressure Washer (including fittings)	Acrylonitrile and Buna-N cover and tube Synthetic yarn and EPDM Anodized aluminum, Aluminum or bronze alloys, Brass Copper, Nylon-PTFE composite, Ceramic, Buna-N, Cotton phenolic, 303, 304, and 316 Stainless steel, Polyimide-12 thermoplastic, PTFE, Carbon steel, Zinc with or without yellow chromate plate			

## THE GRACO WARRANTY

### WARRANTY AND DISCLAIMERS

Graco warrants all equipment manufactured by it and bearing its name to be free from defects in material and workmanship on the date of sale by an authorized Graco distributor to the original purchaser for use. As purchaser's sole remedy for breach of this warranty, Graco will, for a period of twenty four months from date of sale, repair or replace any part of the equipment proven defective. This warranty applies only when the equipment is installed, operated and maintained in accordance with Graco's written recommendations.

This warranty does not cover, and Graco shall not be liable for, any malfunction, damage or wear caused by faulty installation, misapplication, abrasion, corrosion, inadequate or improper maintenance, negligence, accident, tampering, or substitution of non-Graco component parts. Nor shall Graco be liable for malfunction, damage or wear caused by the incompatibility with Graco equipment of structures, accessories, equipment or materials not supplied by Graco, or the improper design, manufacture, installation, operation or maintenance of structures, accessories, equipment or materials not supplied by Graco.

This warranty is conditioned upon the prepaid return of the equipment claimed to be defective for examination by Graco to verify the claimed defect. If the claimed defect is verified, Graco will repair or replace free of charge any defective parts. The equipment will be returned to the original purchaser transportation prepaid. If inspection of the equipment does not disclose any defect in material or workmanship, repairs will be made at a reasonable charge, which charges may include the costs of parts, labor and transportation.

### DISCLAIMERS AND LIMITATIONS

THE TERMS OF THIS WARRANTY CONSTITUTE THE PURCHASER'S SOLE AND EXCLUSIVE REMEDY AND ARE IN LIEU OF ANY OTHER WARRANTIES (EXPRESS OR IMPLIED), INCLUDING WARRANTY OF MERCHANTABILITY OR WARRANTY OF FITNESS FOR A PARTICULAR PURPOSE, AND OF ANY NON-CONTRACTUAL LIABILITIES, INCLUDING PRODUCT LIABILITIES, BASED ON NEGLIGENCE OR STRICT LIABILITY. EVERY FORM OF LIABILITY FOR DIRECT, SPECIAL OR CONSEQUENTIAL DAMAGES OR LOSS IS EXPRESSLY EXCLUDED AND DENIED. IN NO CASE SHALL GRACO'S LIABILITY EXCEED THE AMOUNT OF THE PURCHASE PRICE. ANY ACTION FOR BREACH OF WARRANTY MUST BE BROUGHT WITHIN THREE (3) YEARS OF THE DATE OF SALE.

### EQUIPMENT NOT COVERED BY GRACO WARRANTY

GRACO MAKES NO WARRANTY, AND DISCLAIMS ALL IMPLIED WARRANTIES OF MERCHANTABILITY AND FITNESS FOR A PARTICULAR PURPOSE, WITH RESPECT TO ACCESSORIES, EQUIPMENT, MATERIALS OR COMPONENTS SOLD BUT NOT MANUFACTURED BY GRACO. These items sold, but not manufactured by Graco (such as electric motor, switches, hose, etc.) are subject to the warranty, if any, of their manufacturer. Graco will provide purchaser with reasonable assistance in making any claim for breach of these warranties.

## IMPORTANT PHONE NUMBERS

**TO PLACE AN ORDER**, contact your Graco distributor, or call this number to identify the distributor closest to you: **1-800-328-0211 Toll Free**

**FOR TECHNICAL ASSISTANCE**, service repair information or assistance regarding the application of Graco equipment: **1-800-543-0339 Toll Free**

**Factory Branches:** Atlanta, Chicago, Dallas, Detroit, Los Angeles, West Caldwell (N.J.)  
**Subsidiary and Affiliate Companies:** Canada; England; Switzerland; France; Germany; Hong Kong; Japan; Korea

**GRACO INC. P.O. BOX 1441 MINNEAPOLIS, MN 55440-1441**

PRINTED IN U.S.A. 308-525 1/91

# Parts Change Notice

Some parts in Rev. A of manual 308-525 have changed but have not yet been changed in the instruction manual. Please note the changes below and mark them in your manual or keep this sheet with your manual.

The following pressure washers have been obsoleted and are no longer covered by this manual:

800-681  
800-635  
800-637

The following changes apply to the page11 parts list for 800-636:

Assembly No.	Series Letter Change	Part That Changed	Ref No.	Part Description	Description of Change
Model 800-636	B	176-250	30	Label	Replaced by 804-500
		801-548	31	Rubber grommet	Replaced by 801-012
		172-981	32	Label	Deleted
		801-571	41	Hose, high pressure, 3/8" x 50'	Replaced by 804-427
		801-568	43	Quick coupler, male, 3/8"	Replaced by 804-498
		177-144	47	Label	Replaced by 804-495
		181-867	77	Label	Replaced by 290-013
		800-314	33	Tip assembly, 00045	Replaced by 805-547
		800-315	34	Tip assembly, 15045	Replaced by 805-548
		800-316	35	Tip assembly, 25045	Replaced by 805-549
		800-317	36	Tip assembly, 40045	Replaced by 805-550
		803-106	71	Spray tip, 00045	Deleted
		803-107	72	Spray tip, 15045	Deleted
		803-108	73	Spray tip, 25045	Deleted
		803-109	74	Spray tip, 40045	Deleted
		NEW	-	Chemical injector	Added 804-388
		NEW	-	Tube, chemical injector	Added 804-275
		NEW	-	Strainer, chemical injector	Added 801-683
		NEW	-	Tip, chemical injector	Added 805-634
		NEW	-	Adapter	Added 100-081

The following two pages replace page 17 of manual 308-525:



# Pump Assembly – Parts

USE ONLY GENUINE GRACO PARTS AND ACCESSORIES

Ref. No.	Part No.	Description	Qty	Ref. No.	Part No.	Description	Qty
1	801-467	MANIFOLD	1	37	KIT 6 or 107	WASHER	
	803-504	MANIFOLD, 3500 & 4000 psi	1	38	KIT 6 or 107	SCREW, Piston	
2	801-468	SCREW, Cap, hex hd	8	39	803-295	COVER, Crankcase	1
3	801-469	WASHER, lock	8		803-505	COVER, Crankcase, 3500 & 4000 psi	1
4	KIT 1	O-RING		40	803-296	SHIM	2
5	KIT 1	SEAT, Valve		41	KIT 3	SEAL, Oil	
6	KIT 1	PLATE, Valve		42	KIT 28 or 112	O-RING	
7	KIT 1	SPRING		43	KIT 28 or 112	RETAINER, Packing	
8	KIT 1	GUIDE, Valve		44	KIT 28 or 112	PACKING Kit 8 or 109	
9	KIT 4 or 106	O-RING		45	KIT 28 or 112	RING, Head	
10	KIT 4 or 106	CAP		46	KIT 28 or 112	RETAINER, Packing	
11	KIT 1	VALVE ASSEMBLY		47	KIT 28 or 112	RING, Long Life	
12	803-283	SCREW, Cap, socket hd	8	48	801-526	BRACKET, Pump	2
13	803-284	COVER, Crankcase.	1	49	802-305	SCREW, Cap, socket hd	2
	803-506	COVER, Crankcase, 3500 & 4000 psi	1	50	802-304	WASHER, Lock	2
14	802-500	O-RING, Crankcase Cover	2	51	801-482	PLUG, Hex	1
15	803-324	BEARING, Tapered Roller	2	52	801-483	WASHER, Flat	1
16	KIT 2	SEAL, Oil		53	801-484	PLUG, Hex	1
17	803-286	BUSHING, Piston	1	54	801-485	WASHER, Flat	1
18	802-895	CRANKCASE	1	55	801-624	PUMP, 3000 psi	1
	803-501	CRANKCASE, 3500 & 4000 psi	1		803-508	PUMP, 3500 & 4000 psi	1
19	801-475	DIPSTICK	1	56	803-083	LABEL, Keep From Freezing 3000 psi	1
20	803-144	GASKET, Cover	1		803-517	LABEL, Keep From Freezing 3500 & 4000 psi	1
21	803-287	CRANKSHAFT	1	57	802-085	NIPPLE 1/2	1
22	803-288	RING, Retaining	6	58	801-106	TEE 1/2	1
23	802-794	KEY	1	59	800-113	FILTER (see Instruction Manual 801-744)	1
24	803-289	PIN, Wrist	3	60	801-111	NUT, Garden Hose	1
25	803-325	GUIDE, Piston, 3000 psi	3	61	801-110	ADAPTER, Garden Hose	1
	803-503	GUIDE, Piston, 3500 & 4000 psi	3	62	801-112	STRAINER, Garden Hose	1
26	803-291	ROD, Connecting	3	63	803-141	HOSE, Bypass	1
27	803-292	SCREW, Cap, socket hd	5	64	803-142	NIPPLE, Hex 1/2 NPSM x 3/8 NPT 3000 psi	1
28	803-293	COVER, Crankcase	1		802-534	NIPPLE, Hex 1/2 NPSM x 1/2 NPT, 3500 & 4000 psi	1
	803-507	COVER, Crankcase, 3500 & 4000 psi	1	65	800-325	UNLOADER, 3000 psi	1
29	802-345	GAUGE, Sight	1		800-689	UNLOADER, 3500 psi	
30	802-793	PLUG, Oil Drain	1		800-427	UNLOADER, 4000 psi	1
31	KIT 6 or 107	O-RING		66	801-868	NIPPLE, Hex 3/8, 3000 psi	1
32	803-294	SCREW, Cap, socket hd	6		801-236	NIPPLE, Hex 1/2x3/8, 3500 & 4000 psi	2
33	8033-652	WASHER, Lock	6	67	801-568	COUPLER, Male 3/8	1
34	KIT 6 or 107	WASHER, Flinger	3				
35	801-490	PLUNGER, Ceramic	3				
	803-502	PLUNGER, Ceramic	3				
36	KIT 6 or 107	RING, Backup.					



Kit No.	Repair Kit Part No.	Ref No.	Description	Qty.
1	801-472 Valve	4	O-RING	6
		5	SEAT, Valve	6
		6	PLATE, Valve	6
		7	SPRING	6
		8	GUIDE, Valve	6
		11	VALVE ASSEMBLY	6
2	801-473 Oil Seal	16	SEAL, Oil	3
3	802-511 Crankshaft Seal	41	SEAL, Oil	2
4	802-306 Valve Cap, 3000 psi	9	O-RING	6
		10	CAP	6
6	801-474 Plunger Repair, 3000 psi	31	O-RING	1
		34	WASHER, Flinger	1
		36	RING, Backup	1
		37	WASHER	1
		38	SCREW, Piston	1
8	801-486 Packing, 3000 psi	44	PACKING	6
28	801-487 Packing & Retainer, 3000 psi	42	O-RING	1
		43	RETAINER, Packing	1
		44	PACKING	2
		45	RING, Head	1
		46	RETAINER, Packing	1
		47	RING, Long Life	1
106	803-509 Valve Cap, 3500 & 4000 psi	9	O-RING	6
		10	CAP	6
107	803-510 Plunger Repair, 3500 & 4000 psi	31	O-RING	1
		34	WASHER, Flinger	1
		36	RING, Backup	1
		37	WASHER	1
		38	SCREW, Piston	1
109	803-511 Packing, 4000 psi	44	PACKING	3
		47	RING, Long life	3
		-	PACKING	3
112	803-512 Packing & Retainer,4000 psi	42	O-RING	1
		43	RETAINER, packing	1
		44	PACKING	1
		45	RING, head	2
		46	RETAINER, packing	1
		47	RING, Long life	1
		-	PACKING	1

The following changes apply to the page17 parts list for pump assembly of Models 3540 and 4043 only:

Assembly No.	Series Letter Change	Part That Changed	Ref No.	Part Description	Description of Change
Pump assembly for Models 3540 and 4043 only	-	804-497		Unloader outlet fitting	Added replacement part no. 804-497 for the unloader outlet fitting. This outlet fitting is only used on Pressure Washer Models 3540 and 4043

