

Instructions - Parts List



Hydra-Clean® 4043, 16 HP Engine

Hydra-Clean® 4043 Pressure Washer

308532S

P/N 800707, Series B

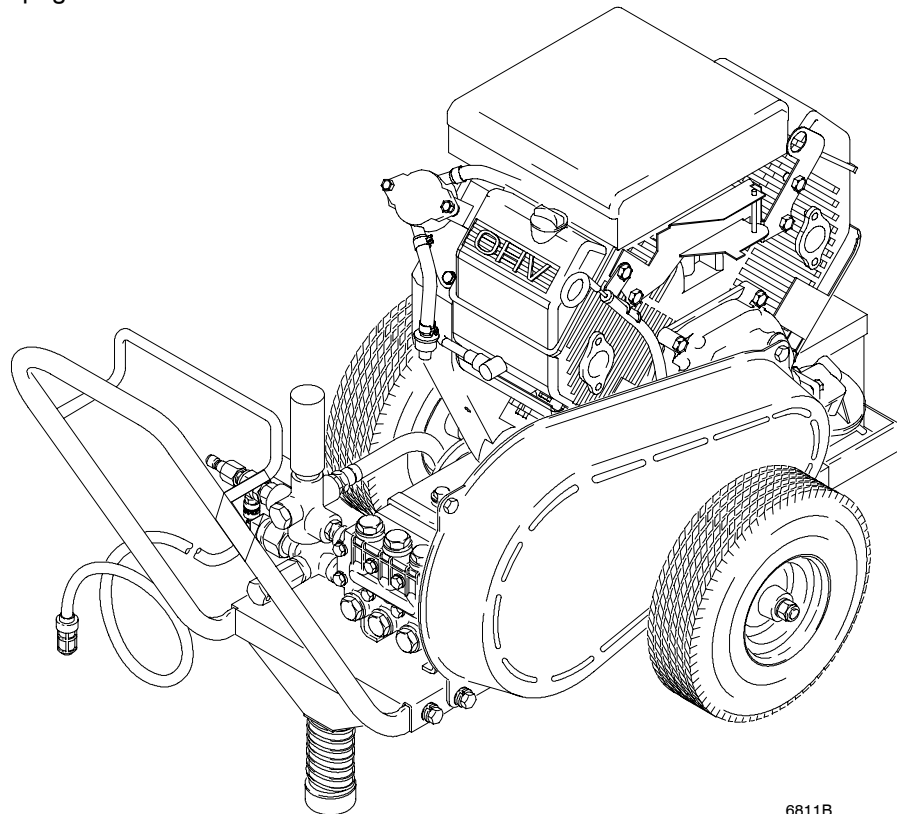
4000 psi (27.6 MPa, 276 bar) Operating Pressure

4300 psi (29.6 MPa, 296 bar) maximum Working Pressure



Important Safety Instructions

Read all warnings and instructions in this manual.
Save these instructions.
See page 2 for Table of Contents.



6811B

PROVEN QUALITY. LEADING TECHNOLOGY.

GRACO INC. P.O. BOX 1441 MINNEAPOLIS, MN 55440-1441
Copyright 2002, Graco Inc. is registered to I.S. EN ISO 9001



Table of Contents

Warnings	2
Component Identification and Function	4
Setup	5
Operation	6
Troubleshooting	10
Pump Service	11
Parts List	14
Accessories	20
Technical Data	21
Warranty	22
Graco Phone Number	22

Warning Symbol



This symbol alerts you to the possibility of serious injury or death if you do not follow instructions.

Caution Symbol



This symbol alerts you to the possibility of damage to or destruction of equipment if you do not follow instructions.

WARNING



SKIN INJECTION HAZARD

Spray from gun, leaks or ruptured components can inject fluid into your body and cause serious injury. Fluid splashed in eyes or on skin can also cause serious injury.

- Fluid injected into skin may look like just a cut, but it is a serious injury. **Get immediate surgical treatment.**
- Do not point gun at anyone or at any part of body.
- Do not stop or deflect leaks with hand, body, glove or rag.
- Do not put hand or fingers over spray tip.
- Tighten fluid connections before starting equipment.
- Engage gun trigger safety whenever spraying is stopped.
- Follow **Pressure Relief Procedure** on page 6 if spray tip clogs and before cleaning, checking or servicing equipment.
- Repair or replace worn or damaged parts immediately.
- Check hoses, tubes, and coupling daily. Do not repair high pressure couplings: replace entire hose. Fluid hoses must have spring guards on both ends to prevent kinks and rupture.

WARNING



HAZARDOUS FLUIDS

Improper handling of hazardous fluids can cause serious injury, even death, due to splashing in eyes, ingestion or bodily contamination.

- Know specific hazards of fluid being used.
- Store hazardous fluids in approved containers. Dispose of hazardous fluids per local, state and national guidelines.
- Wear protective eyewear, gloves, clothing, and respirator as recommended by fluid manufacturer.



FUEL HAZARD

The fuel used in this unit is combustible and when spilled on a hot surface can ignite and cause a fire.

- Do not fill fuel tank while engine is running or hot.



EXHAUST HAZARD

The exhaust contains poisonous carbon monoxide which is colorless and odorless.

- Do not operate this equipment in a closed building.



EQUIPMENT MISUSE HAZARD

Misuse of pressure washer or accessories may cause them to rupture and result in fluid injection, splashing in eyes or on skin, or other serious injury.

- Do not alter or modify this equipment. Use only genuine Graco parts and accessories.
- Do not exceed maximum working pressure of any component or accessory in system.
- Do not use any chemicals that are incompatible with wetted parts as stated in Technical Data.
- Do not alter throttle setting.

Component Identification and Function

Typical Installation - Pressure Washer

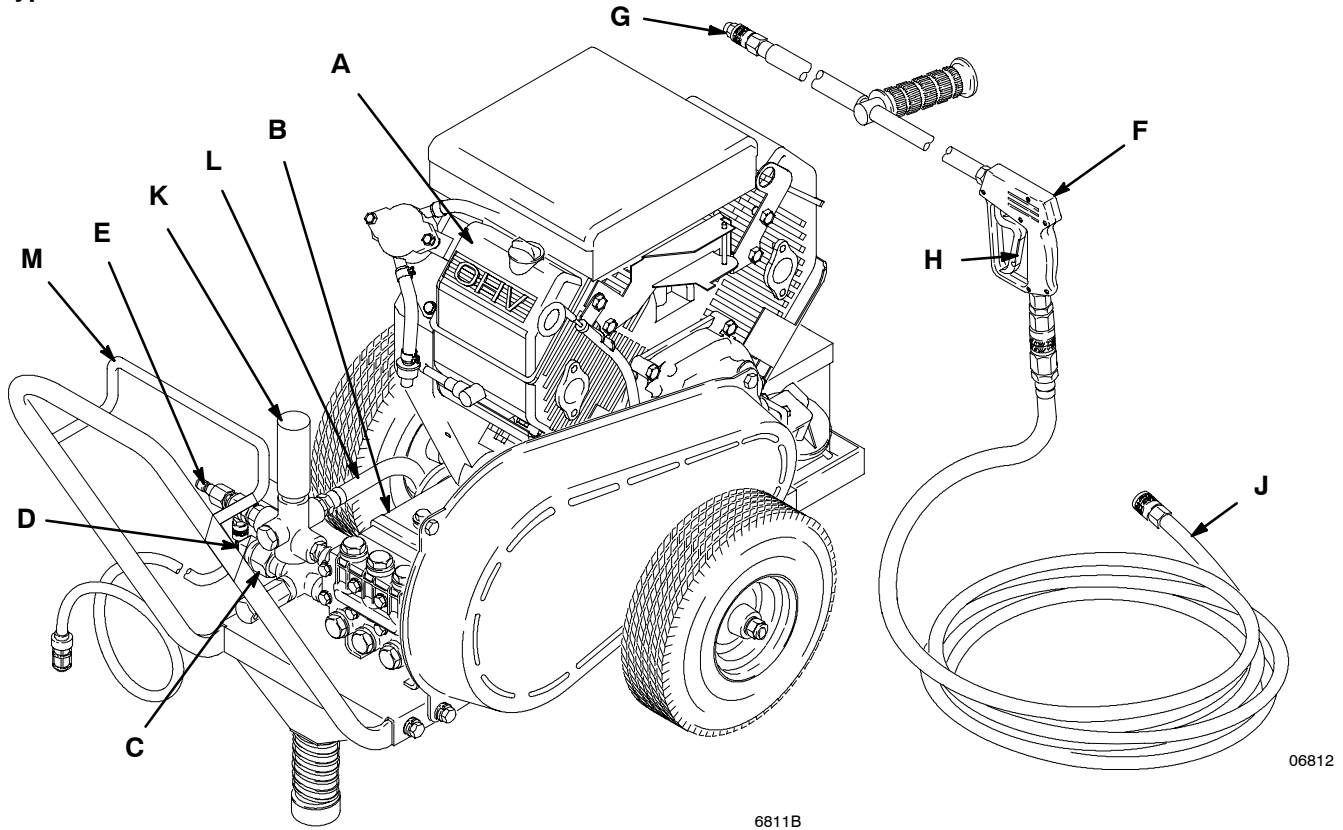


Fig. 1

A	Engine	16 horsepower, operates pump assembly
B	Pump Assembly	Pressurizes fluid to be sprayed through spray gun
C	Filter	Screens out debris and other material between supply connection and pump.
D	Water Supply Connection	Water supply connection for pump
E	High Pressure Hose Connection	Hose and spray gun connection
F	Spray Gun	High pressure spray gun with gun safety latch
G	Spray Tip	Variety of spray tips depending on job needs
H	Spray Gun Safety Latch	Prevents accidental triggering of spray gun
J	Spray Hose	50 ft (15 m), 3/8 in. ID, grounded hose with hose bend restrictors on both ends
K	Unloader	Relieves fluid pressure when open
L	Unloader Bypass Hose	Provides bypass loop when unloader valve is open
M	Hose Rack	Provides storage for spray hose

Setup

Check for Shipping Damage

Check the unit for any damage that may have occurred in shipping. **Notify the carrier immediately** if there is any damage.

Set Up

Charge the battery. Be sure the battery connections are correct and secure. Connect the fuel line to the engine using the quick coupler provided. Squeeze the priming bulb 3 to 5 times. If you are using a downstream chemical injector, install it between the pump unloader and the high pressure hose, using the quick couplers provided.

Connect the high pressure hose between the pump outlet and the gun inlet. Both of these connections are made with quick couplers.

CAUTION

Up to 100 ft (30 m) of high pressure hose may be used. Longer hoses may affect sprayer performance, and chemical injector performance, if used.

Install the appropriate spray tip on the wand. See *Installing and Changing Spray Tips*. If you are using a sandblaster kit, see its separate manual for installation instructions.

Connect to Water Supply

CAUTION

Before attaching to the water supply, check your local plumbing code regarding cross-connection to the water supply. Use a backflow preventer if required by local code.

Do not exceed 160°F (70°C) inlet water temperature.

Connect a hose with at least a 3/4 inch (19 mm) ID from the water supply to the unit's 3/4 inch garden hose inlet. The supply hose should not be more than 50 ft (15 m) long.

NOTE: The water source at the unit *must* have a minimum flow rate equal to that of the unit (see Technical Data, inside back cover).

Operation

Pressure Relief Procedure

WARNING



SKIN INJECTION HAZARD

System pressure must be manually relieved to prevent system from starting or spraying accidentally. Fluid under high pressure can be injected through skin and cause serious injury. To reduce risk of injury from injection, splashing fluid, or moving parts, follow **Pressure Relief Procedure** whenever you:

- are instructed to relieve pressure,
- stop spraying for more than 10 minutes,
- check or service system equipment,
- install or clean spray nozzle.

1. Engage trigger safety latch.
2. Turn sprayer off.
3. Remove ignition cable from spark plug.
4. Remove siphon tube from water supply.
5. Disengage trigger safety latch and trigger gun to relieve pressure. Engage trigger safety latch.
6. *If spray tip or hose is completely clogged, or pressure has not been fully relieved after following steps above:* Disengage trigger safety latch and trigger gun to relieve pressure. Wrap rag around hose end coupling and **VERY SLOWLY** loosen coupling to relieve pressure gradually, then loosen completely. Now clear tip or hose.

Startup

1. Check oil levels.
 - Engine: Add SAE 30 or 10W-30 weight detergent oil as necessary.
 - Pump: Add SAE 20 or 30 weight non-detergent oil.

NOTE: This pressure washer is equipped with a low-oil sensor that shuts the engine off if the oil level falls below a certain level. If the unit stops unexpectedly, check both the oil and the fuel levels. Check the oil level each time the unit is refueled.

2. Check fuel level.

WARNING



FIRE HAZARD

Do not refuel a hot engine. Refueling a hot engine could cause a fire. Use only fresh, clean regular or unleaded gasoline. Close fuel shutoff valve during refueling.

3. Turn on the water supply.

CAUTION

Never run unit dry. Costly damage to pump will result. Always be sure water supply is sufficient before operating.

4. Trigger the gun until water sprays from the tip indicating that the air is purged from the system.
5. Open the fuel shutoff valve. Be sure the spark plug ignition cables are pushed firmly onto the spark plugs. Put the ignition shutoff switch in the “on” position and the throttle in the “run” position.
6. Start the engine.

NOTE: For easier starting, have one person start the pressure washer while another person triggers the spray gun.

If the engine is cold, completely close the engine choke. Press the start button. In cool weather, the choke may have to be kept closed for 10 to 30 seconds before opening it to keep the engine running. Otherwise, open the choke as soon as the engine starts.

If the engine is warm, leave the choke open or partially closed. Start the engine as described in the preceding paragraph. When the engine starts, be sure to open the choke completely.

7. **ALWAYS** engage the gun’s trigger safety latch whenever you stop spraying, even for a moment, to reduce the risk of fluid injection or splashing in the eyes or on the skin if the gun is bumped or triggered accidentally.
8. **ALWAYS** observe the following **CAUTIONS** to avoid costly damage to the pressure washer.

Operation

⚠ CAUTION

Pressure washer is equipped with a thermal relief valve. If pressure washer is operated without spraying for an extended period (approximately 10 minutes) the valve will expel hot water.

Do not operate pressure washer with inlet water screen removed. Keep screen clean. Screen keeps abrasive sediment out of pump, Abrasive sediment can clog pump or damage cylinders.

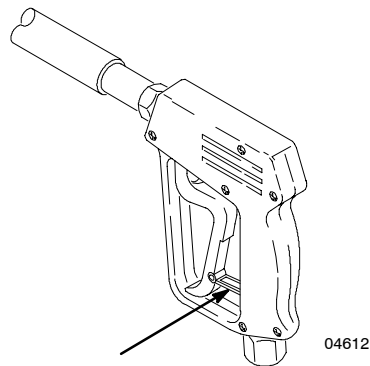
Do not pump caustic materials; such materials may corrode pump components.

9. See the chemical injector or sandblaster kit manual for detailed cleaning information if these accessories are used.

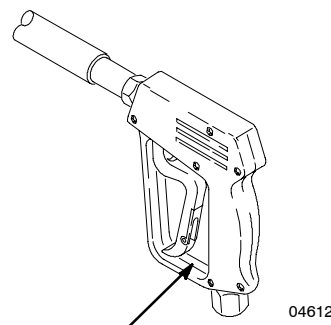
Trigger Safety Latch

⚠ WARNING

To reduce risk of serious bodily injury, including fluid injection, splashing in eyes or on skin, always engage trigger safety latch when spraying is stopped, even for a moment. In engaged position, trigger safety latch prevents gun from being triggered accidentally by hand or if dropped or bumped. Be sure to push down latch fully to engage it. If latch not fully engaged, gun can accidentally trigger. See Figures 2a and 2b.



TRIGGER SAFETY LATCH SHOWN ENGAGED
Figure 2a



**TRIGGER SAFETY LATCH SHOWN
DISENGAGED**
Figure 2b

Operation

Installing and Changing Spray Tips

⚠ WARNING

To reduce risk of serious bodily injury, including fluid injection or splashing in eyes or onto skin, use extreme caution when changing spray tips. always follow procedure below.

1. Follow the **Pressure Relief Procedure**.

⚠ CAUTION

To avoid blowing o-ring out of quick coupler, due to high pressure in system, never operate pressure washer without tip securely mounted in quick coupler.

2. Point the gun and wand away from yourself and anyone else.
3. Without holding your hand over the spray tip (A), pull back the quick coupler ring (B). Remove the old tip and/or install a new one, and then release the ring. See Figure 3.
4. Be sure the tip is secure before starting to spray again.
5. Tip holding holes are provided on the chassis.

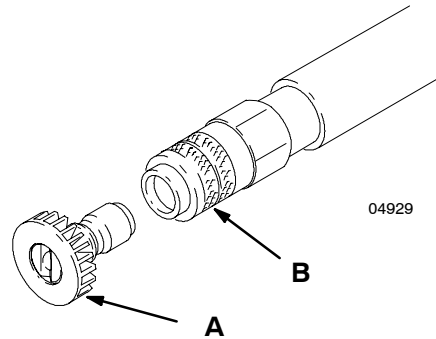


Figure 3

Shutdown, Flushing, and Storage

⚠ CAUTION

Do not expose pressure washer to freezing temperatures or allow water to freeze in pressure washer components. If water freezes in the pressure washer, thaw it in a warm room before you try to start it. Do not pour hot water on or into the pump; it may crack the ceramic plungers!

- Do not store unit outside where it will be exposed to rain, dirt or adverse weather conditions.
- Before you store the pressure washer overnight or transport it, disconnect the water supply, and turn off the fuel supply valve.
- After each use, wipe all surfaces of the pressure washer with a clean, damp cloth.

Engine:

1. Run engine until gas is gone or stabilize the fuel and run it through the fuel system and carburetor.
2. Drain water out of pressure washer hose.
3. Turn fuel system to OFF position.

Pump:

4. Attach one end of a 4 or 5-foot section of hose to pump inlet and other end in an antifreeze solution approximately 1-foot off the ground.

NOTE: An anti-freeze flush kit, P/N 802327, is available to make flushing easier.

5. Pull pull-cord on engine until antifreeze comes out of pump outlet.

Storage Location:

6. Store pressure washer in garage, basement or other area where it is protected from freezing temperatures.
- After each use, wipe all surfaces of the pressure washer with a clean, damp cloth.
 - Perform the appropriate maintenance. See **Maintenance Chart**.

Maintenance

Observing regular maintenance intervals helps ensure that you get maximum performance and life from the pressure washer.

There is a break-in period for the engine and pump. After changing the oil in these components following their respective break-in periods, the interval between required changes is longer.

If the unit is operating in dusty conditions, these maintenance checks should be made more often.

⚠ WARNING

To reduce risk of serious bodily injury, including fluid injection, splashing in eyes or on skin or injury from moving parts, always follow **Pressure Relief Procedure** on page 6 before proceeding.

Interval	What to do
Daily	Clean water inlet screen and filter. Check engine and pump oil levels. Fill as necessary. Check gasoline level. Fill as necessary.
After first 5 hours of operation	Change engine break-in oil. Drain oil when warm. Use SAE 30 or 10W-30 detergent oil.
Each 25 hours of operation	Clean and remove air cleaner foam. Wash with water and detergent. Dry thoroughly. Rub with oil and squeeze to distribute oil.
After first 50 hours of operation	Change pump break-in oil. Use SAE 20 or 30 non-detergent oil or genuine CAT® pump oil.
Each 100 hours of operation or 3 months	Clean or replace paper air cleaner cartridge. Tap gently to remove dirt. Change engine oil. Use SAE 30 or 10W-30 detergent oil.
Each 500 hours of operation or 6 months	Change pump oil. Use SAE 20 or 30 non-detergent oil or genuine CAT® pump oil.

Troubleshooting

WARNING

To reduce risk of serious injury, including fluid injection and splashing in eyes, or on skin, always follow **Pressure Relief Procedure** on page 6 before proceeding.

Problem	Cause	Solution
Engine will not start or is hard to start	<p>No gasoline in fuel tank or carburetor.</p> <p>Low oil level.</p> <p>Start/Stop switch in Stop position.</p> <p>Water in gasoline or old fuel.</p> <p>Loose or wrong battery connection.</p> <p>Battery not properly charged.</p> <p>Choked improperly. Flooded engine.</p> <p>Dirty air cleaner filter.</p> <p>Spark plug dirty, wrong gap or wrong type.</p> <p>Spray gun closed.</p>	<p>Fill the tank with gasoline, open fuel shut off valve. Check fuel line and carburetor.</p> <p>Add to proper level.</p> <p>Move switch to start position.</p> <p>Drain fuel tank and carburetor. Use new fuel and dry spark plug.</p> <p>Check and tighten battery connections.</p> <p>Check electrolyte level of cells, recharge battery.</p> <p>Open choke and crank engine several times to clear out gas.</p> <p>Remove and clean.</p> <p>Clean, adjust the gap or replace.</p> <p>Trigger spray gun.</p>
Engine misses or lacks power	<p>Partially plugged air cleaner filter.</p> <p>Spark plug dirty, wrong gap or wrong type.</p> <p>Incorrect ignition timing.</p>	<p>Remove and clean.</p> <p>Clean, adjust the gap or replace.</p> <p>Time engine.</p>
Low pressure and/or pump runs rough	<p>Worn or wrong size tip.</p> <p>Inlet filter clogged.</p> <p>Worn packings, abrasives in water or natural wear.</p> <p>Inadequate water supply.</p> <p>Belt slippage.</p> <p>Fouled or dirty inlet or discharge valves. Even a small particle can cause the valve to stick.</p> <p>Restricted inlet.</p> <p>Worn inlet or discharge valves.</p> <p>Leaking high pressure hose.</p>	<p>Replace with tip of proper size.</p> <p>Clean. Check more frequently.</p> <p>Check filter. Replace packings. See PUMP SERVICE.</p> <p>Check water flow rate to pump.</p> <p>Tighten or replace; use correct belts and replace both at same time.</p> <p>Clean inlet and discharge valve assemblies. Check filter.</p> <p>Check garden hose, may be collapsed or kinked.</p> <p>Replace worn valves.</p> <p>Replace high pressure hose.</p>
Water leakage from under pump manifold	<p>Worn packings.</p>	<p>Install new packings. See PUMP SERVICE.</p>
Water in pump	<p>Humid air condensing inside crankcase.</p> <p>Worn packings.</p> <p>Oil seals leaking.</p>	<p>Change oil as specified in MAINTENANCE.</p> <p>Install new packings. See PUMP SERVICE.</p> <p>Install new oil seals. See PUMP SERVICE.</p>
Frequent or premature failure of the packings	<p>Scored, damaged or worn plungers.</p> <p>Abrasive material in the fluid being pumped.</p> <p>Inlet water temperature too high.</p> <p>Overpressurizing pump.</p> <p>Excessive pressure due to partially plugged or damaged tip.</p> <p>Pump running too long without spraying.</p> <p>Running pump dry.</p>	<p>Install new plungers. See PUMP SERVICE.</p> <p>Install proper filtration on pump inlet plumbing.</p> <p>Check water temperature; may not exceed 160°F.</p> <p>Do not modify any factory-set adjustments. See EQUIPMENT MISUSE HAZARD.</p> <p>Clean or replace tip. See Installing and Changing Spray Tips.</p> <p>Never run pump more than 10 minutes without spraying.</p> <p>Do not run pump without water.</p>
Strong surging at the inlet and low pressure on the discharge side	<p>Foreign particles in the inlet or discharge valve or worn inlet and/or discharge valves.</p>	<p>Clean or replace valves. See PUMP SERVICE.</p>

Pump Service

Servicing the Valves

1. Remove the hex valve plug.
2. Examine the o-ring under the plug for cuts or distortion and replace if worn. Lubricate new o-ring before installing.
3. Grasp valve retainer by tab at the top with pliers and remove from valve chamber. Valve parts usually separate during removal.

Note: A special tool will be needed to remove the seat from the manifold. A reverse pliers or a standard vise grip and a 1/4" x 3" bolt to fit I.D. of seat inserted under the edge of the seat, will pry the valve seat out easily.

4. Examine all valve parts for wear and replace with preassembled valve assembly in service kit containing retainer, spring, valve, valve seat, o-ring, and back-up ring.
5. Grasp new valve assembly by tab at top with pliers, immerse in oil and push into valve chamber. Be certain valve assembly is square in valve chamber.
6. Apply Loctite 242 to valve plug, thread into manifold port and torque per chart.

Note: Corrosion Resistant models require the coil spring installed in the Valve Plug.

Servicing the Pumping Section

Disassembly:

1. Remove the four (4) hex nuts or two (2) bolts from the manifold (varies with model).
2. Rotate crankshaft by hand to start separation of manifold from crankcase. Support the underside of the manifold and tap lightly with a mallet to remove the manifold assembly.

CAUTION

Keep manifold properly aligned with ceramic plungers when removing to avoid damage to either plungers or seals.

3. Remove oil pan and slide out seal retainer with wicks.
4. Using a wrench, loosen the plunger retainer. Grasp ceramic plunger and push toward crankcase until plunger retainer pops out.
5. Remove plunger retainer with copper gasket, back-up Ring and o-ring.
6. Remove plunger from plunger rod.

Reassembly:

1. Carefully examine each ceramic plunger for scoring or cracks, replace if worn and slip onto plunger rod.

Note: Ceramic plunger can only be installed one direction (front to back). Do not force onto rod.

2. Examine plunger retainer and stud and replace if worn.

Note: Thread stud into plunger retainer.

3. Examine o-ring, back-up ring and gasket on plunger retainer and replace if worn or cut. Lubricate o-ring for ease of installation and to avoid damaging o-rings.

Note: First install gasket, then back-up ring and o-ring.

4. Thread plunger retainer and stud assembly into plunger rod. Exercise caution not to over torque.
5. Saturate new oil wick by soaking in oil, place in seal retainer and slip retainer over ceramic plunger.
6. Replace oil pan.
7. Turn shaft by hand to line up plungers so end plungers are parallel.
8. Carefully slip manifold onto plungers, keeping manifold level, and tap with mallet to bring manifold flush with crankcase.
9. Replace washers and nuts or bolts and torque per chart.

Pump Service

Servicing the Seals and V-Packings

Disassembly:

1. Remove the manifold as described.
2. With crankcase side of manifold facing up, unscrew the seal case from the manifold using a special key wrench.
3. Remove o-ring from seal case.
4. Remove snap ring and low pressure seal from the seal case. Seals are generally removed easily without any tools.
5. **High Pressure Seal Models:** The high pressure seal is generally easily removed from the manifold without any tools. If extremely worn a reverse pliers may be used.
6. **V-Packing Models:** The female adapter, two v-packings and male adapter are easily removed from manifold without tools. If extremely worn a reverse pliers may be used.

Reassembly:

V-Packing Models:

1. Lubricate high pressure packing area in manifold.
2. Insert male adapter with notches down and "v" side up.
3. Lubricate v-packings and install one-at-a-time with grooved side down.
4. Next install female adapter with grooved side down.
5. Examine seal case o-ring and replace if worn. Lubricate new o-ring before installing.
6. Thread seal case into manifold and tighten with key wrench.

High Pressure Seal Models:

1. Lubricate seal area in manifold.
2. Carefully square seal into position by hand with the metal grooved side up.

3. Examine seal case o-ring and replace if worn. Lubricate new o-ring before installing.
4. Next secure high pressure seal into position by threading seal case into manifold. Tighten seal case with key wrench.

Low Pressure Seal-All Models:

1. Examine seal for wear or broken spring and lace if necessary.
2. Install low pressure seal in seal case with garter spring down.
3. Reinstall snap ring. Be certain snap ring is a tight fit. Replace if it can be easily turned.
4. Replace manifold on pump as described and torque per chart.

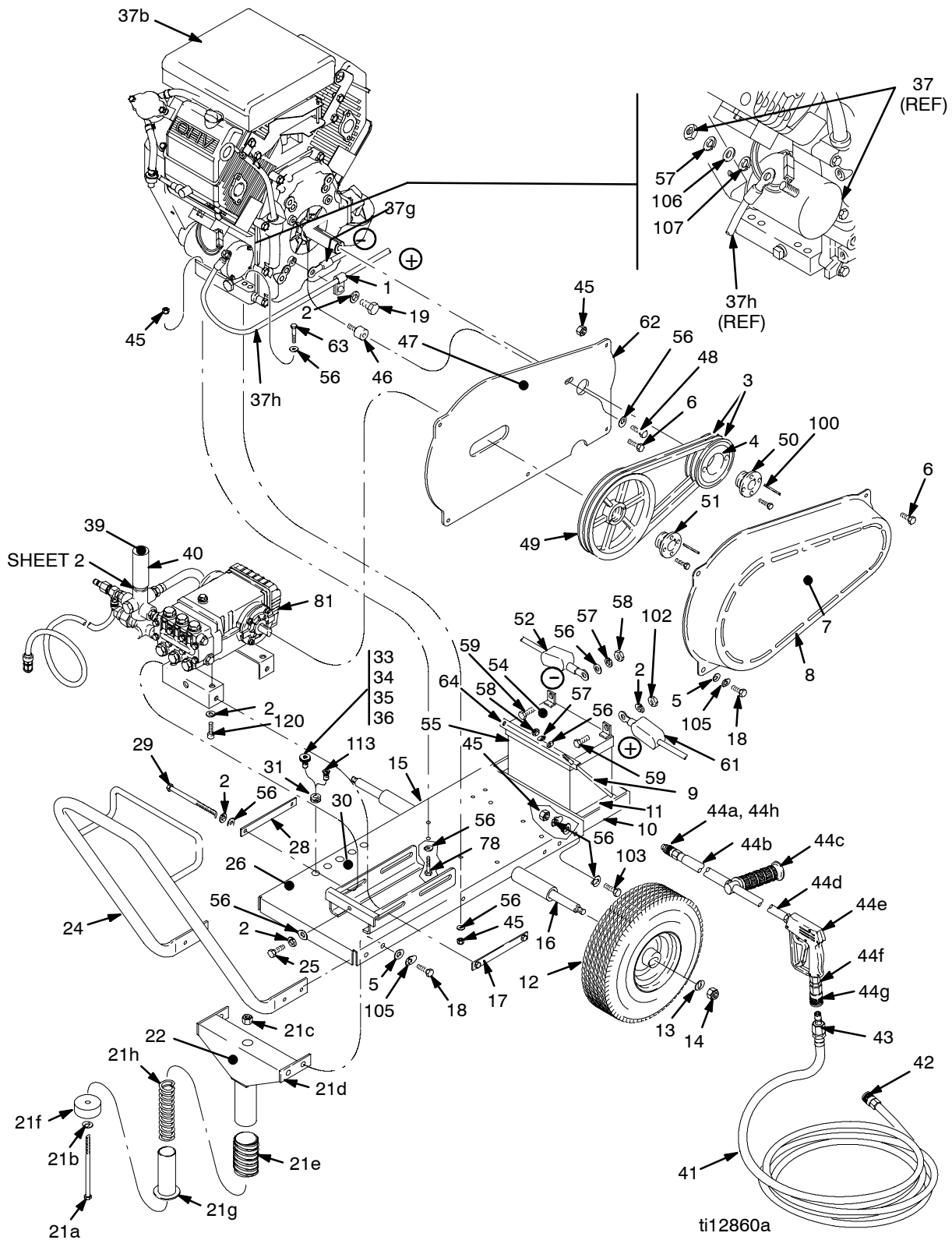
Servicing Crankcase Section

1. While manifold, plungers and seal retainers are removed, examine crankcase seals for wear.
2. Check oil level and for evidence of water in oil.
3. Rotate crankshaft by hand to feel for smooth bearing movement.
4. Examine crankshaft oil seal externally for drying, cracking or leaking.
5. Consult factory or your local distributor if crankcase service is evidenced.

Torque Chart

Pump Part	Thread	Tool Size	Torque
Plunger Retainer	M5	11 mm hex	80 in. lbs.
Manifold	M8 x 1.25	13 mm hex	125 in. lbs.
	M10 x 1.25	17 mm hex	217 in. lbs.
	M10	17 mm hex	217 in. lbs.
Valve Covers	—	24 mm	75 ft. lbs.
		27 mm	75 ft. lbs.

Pressure Washer - Parts



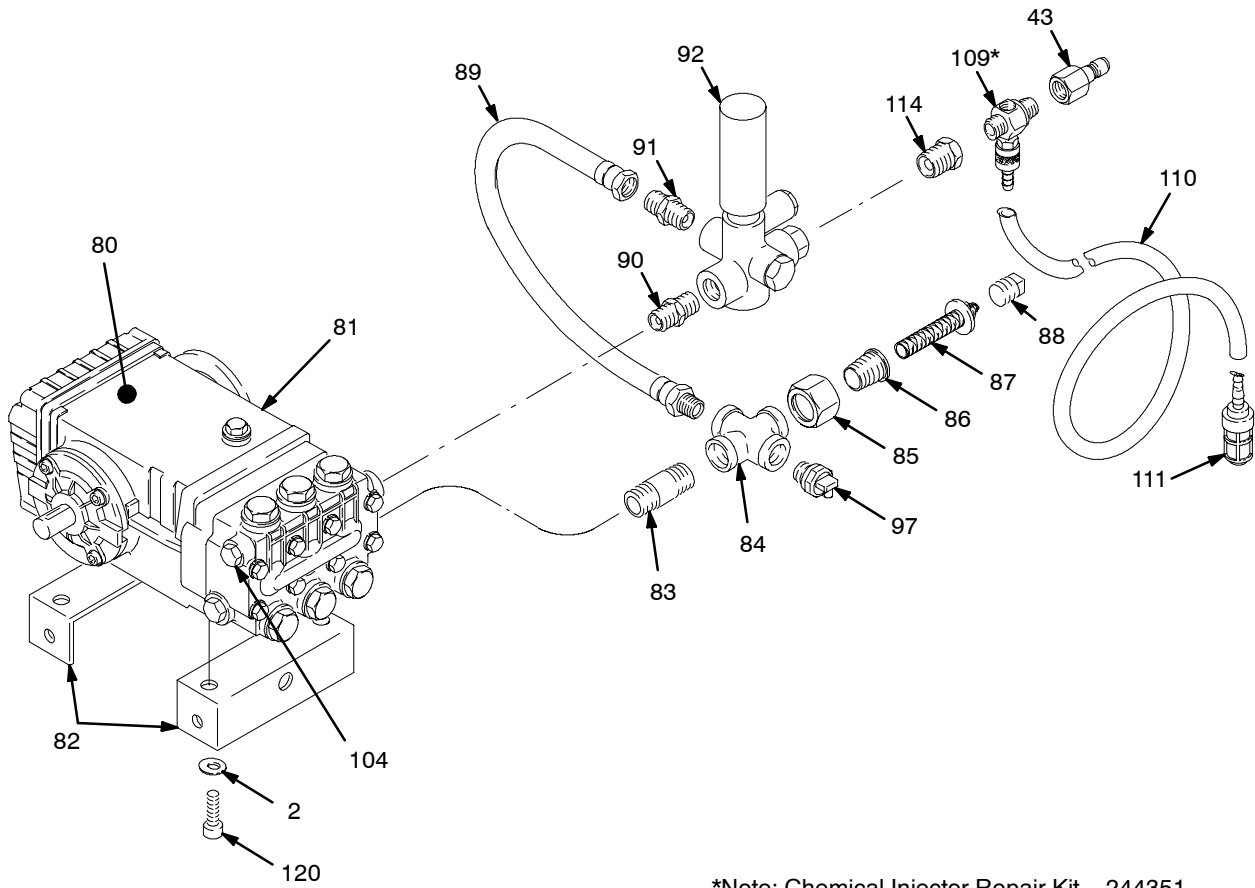
Pressure Washer – Parts

Model 800707, Series B

Ref.

No.	Part No.	Description	Qty.	Ref.	No.	Part No.	Description	Qty.
1	108868	CLAMP, wire	1					
2	100214	WASHER, lock 5/16	4					
3	803889	BELT, drive	2					
4	803943	SHEAVE, engine	1	44a	801009	. QUICK COUPLER, female 1/4	1	
5	100023	WASHER, flat 5/16	4	44b	801957	. SLEEVE, safety, 18 in.	1	
6	118241	SCREW, flange, hex hd	5	44c	802851	. HANDLE, tee	1	
7	803534	LABEL, belt guard	1	44d	804470	. WAND, 32"	1	
8	803926	BELT GUARD	1	44e	804589	. GUN, spray (see manual 308511)	1	
9	803525	BOLT, battery	2	44f	162485	. NIPPLE, hex 3/8	1	
10	804282	BRACKET, battery	1	44g	801569	. QUICK COUPLER, female 3/8,sst	1	
11	801972	PAD, battery (size as required)	AR	44h	154594	. O-ring	1	
12	801550	WHEEL & TIRE ASSEMBLY	2	45	111040	NUT, lock 5/16-18	13	
13	100696	WASHER, flat 1/2	2	46	804356	INSULATOR, vibration	1	
14	801020	NUT, lock 1/2-13	2	47	804495	LABEL, belt guard	1	
15	800676	CHASSIS	1	48	804376	SCREW, hex hd	1	
16	801556	AXLE	1	49	803944	SHEAVE, pump	1	
17	800678	BRACKET, rail stiffener	1	50	801898	HUB, engine	1	
18	801546	SCREW, cap, hex hd, 3/8-16 x 1-1/4	4	51	801135	HUB, pump	1	
19	108842	SCREW, cap, hex hd	1	52	801959	TERMINAL PROTECTOR, black	1	
21	800160	FRONT LEG ASSEMBLY	1	55	115753	BATTERY, 12 volt, 30 Amp	1	
		(includes 21a thru 21h)		56	100527	WASHER, flat 1/4	5	
21a	801531	. SCREW, Cap, Hex hd, 3/8-16 x 7	1	57	100016	WASHER, lock 1/4	3	
21b	100132	. WASHER, flat	1	58	100015	NUT, hex 1/4-20	4	
21c	101566	. NUT, lock	1	59	100022	BOLT, carriage 1/4-20 x 1	2	
21d	801537	. LEG, front	1	61	801958	TERMINAL PROTECTOR, red	1	
21e	801506	. BOOT	1	62	803531	BASEPLATE, belt guard	1	
21f	801504	. BUMPER, rubber	1	63	802127	BOLT, hex hd 5/16-18 x 1.75	2	
21g	801505	. RETAINER, spring	1	64	107069	BRACKET, battery	1	
21h	801593	. SPRING	1	78	802275	BOLT, hex hd 5/16-18 x 1.5	2	
22	803906	LABEL, model 4043	1	80	803517	LABEL, prevent freezing	1	
23	800652	FUEL TANK ASSY (includes: 23a-23f)	1	81	803508	PUMP ASSEMBLY (see page 18)	1	
24	803925	HANDLE	1	82	801526	BRACKET, mounting	2	
25	803298	SCREW, cap, hex hd,5/16-18 x 3-1/2	1	83	801523	NIPPLE, 1/2-14 x 2.0	1	
26	189919	PLATE, designation	1	84	801622	CROSS, 1/2 npt	1	
27	290342	LABEL, artwork (not shown)	AR	85	801111	NUT, adapter	1	
28	802016	BRACKET, rail stiffener	1	86	801110	ADAPTER, garden hose	1	
29	801522	SCREW, cap, hex hd	2	87	804051	FILTER, inlet	1	
30	804500	LABEL, chassis	1	88	402278	PLUG, threaded, sq hd	1	
31	801012	GROMMET, rubber	5	89	803141	HOSE, by-pass	1	
33	805543	TIP ASSEMBLY, 0004 (0° red)	1	90	159239	FITTING, nipple	1	
34	805544	TIP ASSEMBLY, 1504 (15° yellow)	1	91	802534	ADAPTER, 1/2 npt x 1/2 npsm	1	
35	805545	TIP ASSEMBLY, 2504 (25° green)	1	92	800427	VALVE, unloader, 4000 psi	1	
36	805546	TIP ASSEMBLY, 4004 (40° white)	1	97	116461	VALVE, thermal relief	1	
37	800665	ENGINE ASSY (partial breakdown,	1	100	801137	KEY, square, 1/4 x 2.0	1	
		items 37a thru 37h)		103	100450	BOLT, hex hd, 5/16-18 x 1.0	4	
37a	290013	. LABEL, warning (not shown)	1	104	101754	PLUG, pipe	1	
37b	803884	. ENGINE, 16 HP, Briggs &	1	105	100133	WASHER, lock 3/8	4	
		Stratton, Vanguard OHC		106	100086	WASHER, plain	1	
37c	802908	. CONNECTOR, fuel	1	107	108050	WASHER, lock, spring	1	
37g	801945	. CABLE, battery, 12" long	1	109*	804388	INJECTOR, chemical	1	
37h	801946	. CABLE, battery, 24" long	1	110	804275	TUBE, chemical injector	1	
39	803515	LABEL, artwork	1	111	801683	STRAINER, chemical injector	1	
40	803516	COVER, unloader	1	113	805634	TIP, chemical injector	1	
41	804474	HOSE, high pressure 3/8 x 50'	1	114	100081	ADAPTER	1	
42	801569	QUICK COUPLER, female, sst 3/8	1	120	802305	SCREW, cap, socket hd	4	
43	801568	QUICK COUPLER, male 3/8	2					
44	800429	GUN & WAND ASSEMBLY	1					
		(includes 44a thru 44g)						

Pressure Washer - Parts

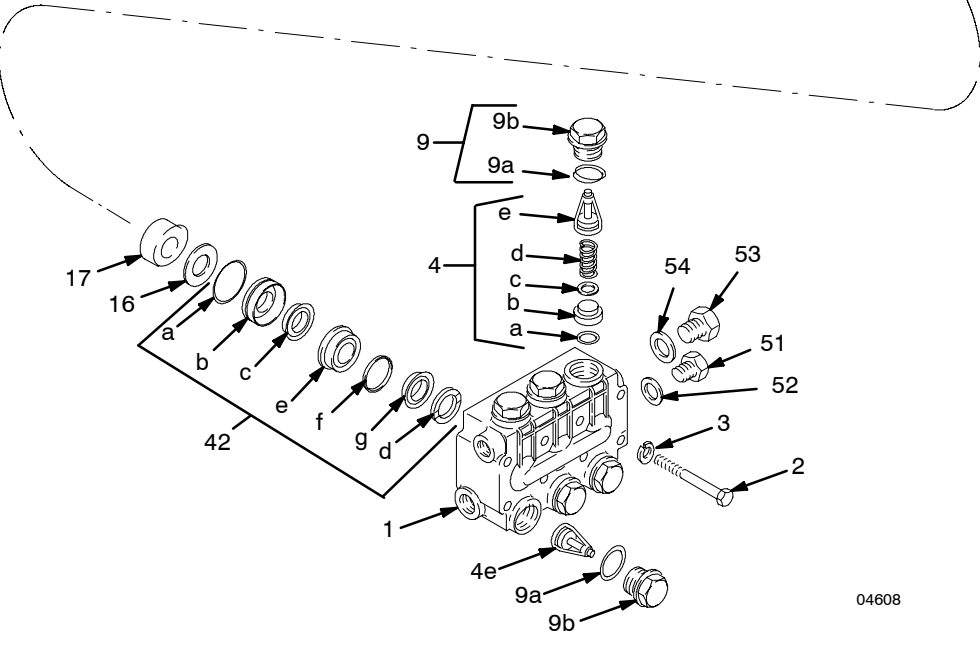
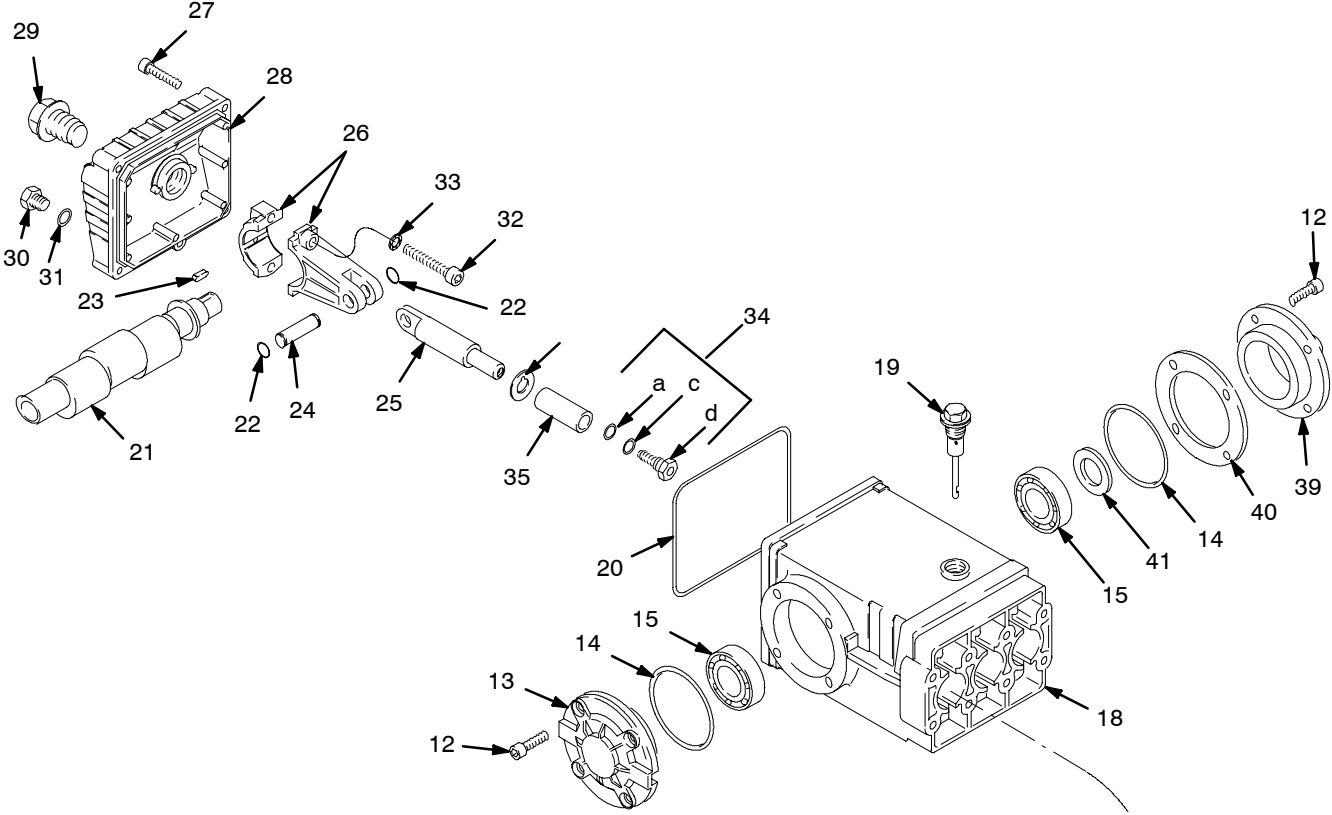


*Note: Chemical Injector Repair Kit - 244351

7544A

Hydra-Clean 4043 Pressure Washer (Sheet 2 of 2)

Pump Assembly - Parts



04608

Pump Assembly - Parts

Model 803508, Series A

Ref. No.	Part No.	Description	Qty.	Ref. No.	Part No.	Description	Qty.
1	803504	MANIFOLD	1	29	802345	GAUGE, sight	1
2	801468	SCREW, cap, hex hd	8	30	802793	PLUG, oil drain	1
3	801469	WASHER, lock	8	31	801488	O-RING	1
4	801472	KIT, Valve (includes: 4a-4e)	1	32	803294	SCREW, cap, socket hd	6
	4a	O-RING	6	33	801652	WASHER, lock	6
	4b	SEAT, valve	6	34	803510	KIT, repair, plunger (includes 34a, 34c, 34d)	1
	4c	PLATE, valve	6		34a	RING, back up	3
	4d	SPRING	6		34c	O-RING	3
	4e	GUIDE, valve	6		34d	SCREW, piston	3
9	803509	KIT, valve cap (includes 9a-9b)	1	35	803502	PLUNGER, ceramic	3
	9a	O-RING	6	39	803505	COVER, crankcase	1
	9b	CAP, valve	6	40	803296	SHIM	2
12	803283	SCREW, cap, socket hd	8	41	802511	KIT, seal, oil - Qty 2	1
13	803506	COVER, crankcase	1	42	803512	KIT, Packing and Retainer (includes 42a- 42g)	1
14	802500	O-RING, crankcase cover	2		42a	O-RING	1
15	803324	BEARING, tapered roller	2		42b	RETAINER	1
16	801473	KIT, seal, oil - Qty 3	1		42c	RETAINER, seal	1
17	803286	BUSHING, piston	1		42d	RING, head	1
18	803501	CRANKCASE	1		42e	RING	1
19	801475	DIPSTICK	1		42f	PACKING, restop	1
20	803144	GASKET, cover	1		42g	V-PACKING	1
21	803287	CRANKSHAFT	1	43	803511	KIT, Packing Only, (includes 42c, 42f and 42G)	1
22	803288	RING, retaining	6	51	801482	PLUG, hex	1
23	802794	KEY	1	52	801483	WASHER, flat	1
24	803289	PIN, wrist	3	53	801484	PLUG, hex	1
25	803503	GUIDE, piston	3	54	801485	WASHER, flat	1
26	804484	ROD, connecting	3				
27	803292	SCREW, cap, socket hd	5				
28	803507	COVER, crankcase	1				

Accessories

Downstream Chemical Injector Kit 804387

For injecting harsh cleaning chemicals downstream from the pump. 800649 is stainless steel construction.

Upstream Chemical Injector Kit 800257

For injecting mild cleaning chemicals upstream into the pump.

Pressure Gauge Kit 248744

For viewing pump pressure.

Water Sandblasting Kit 800120

For abrasive cleaning of stubborn dirt and paint. Requires a spray tip which is not included in kit (3540 uses 803107, 4043 uses 803107).

Technical Data

	Model 800707
Engine (4 cycle, air-cooled)	16 HP Briggs & Stratton OHV
Battery	12 Volt, 30 AMP 250 CCA
Gasoline Tank Capacity	2.25 Gallon (8.5 Liter)
Water Pump Maximum Working Pressure	4000 psi (276 bar)
Water Pump Maximum Flow	4.25 gpm (16 lpm)
Inlet Hose Connection	3/4" garden hose (f)
Weight	255 lbs (116 kg)
Dimensions Length Width Height	49" (1245 mm) 30" (762 mm) 30" (762 mm)
Maximum Inlet Water Temperature	160°F (70°C)
Wetted Parts High Pressure Hose Bypass Hose Pressure Washer (including fittings)	Acrylonitrile and Buna-N cover and tube Synthetic yarn and EPDM Anodized aluminum, Aluminum or bronze alloys, Brass Copper, Nylon-PTFE composite, PTFE, Ceramic, Buna-N, Cotton phenolic, 303, 304, and 316 Stainless steel, Polyimide-12 thermoplastic, Carbon steel, Zinc with or without yellow chromate plate

Graco Warranty

Graco warrants all equipment listed in this manual which is manufactured by Graco and bearing its name to be free from defects in material and workmanship on the date of sale to the original purchaser for use. With the exception of any special extended or limited warranty published by Graco, Graco will, for a period of twelve months from the date of sale, repair or replace any part of the equipment determined by Graco to be defective. This warranty applies only when the equipment is installed, operated and maintained in accordance with Graco's written recommendations.

This warranty does not cover, and Graco shall not be liable for general wear and tear, or any malfunction, damage or wear caused by faulty installation, misapplication, abrasion, corrosion, inadequate or improper maintenance, negligence, accident, tampering, or substitution of non-Graco component parts. Nor shall Graco be liable for malfunction, damage or wear caused by the incompatibility of Graco equipment with structures, accessories, equipment or materials not supplied by Graco, or the improper design, manufacture, installation, operation or maintenance of structures, accessories, equipment or materials not supplied by Graco.

This warranty is conditioned upon the prepaid return of the equipment claimed to be defective to an authorized Graco distributor for verification of the claimed defect. If the claimed defect is verified, Graco will repair or replace free of charge any defective parts. The equipment will be returned to the original purchaser transportation prepaid. If inspection of the equipment does not disclose any defect in material or workmanship, repairs will be made at a reasonable charge, which charges may include the costs of parts, labor, and transportation.

Graco's sole obligation and buyer's sole remedy for any breach of warranty shall be as set forth above. The buyer agrees that no other remedy (including, but not limited to, incidental or consequential damages for lost profits, lost sales, injury to person or property, or any other incidental or consequential loss) shall be available. Any action for breach of warranty must be brought within two (2) years of the date of sale.

GRACO MAKES NO WARRANTY, AND DISCLAIMS ALL IMPLIED WARRANTIES OF MERCHANTABILITY AND FITNESS FOR A PARTICULAR PURPOSE IN CONNECTION WITH ACCESSORIES, EQUIPMENT, MATERIALS OR COMPONENTS SOLD BUT NOT MANUFACTURED BY GRACO. These items sold, but not manufactured by Graco (such as electric motors, gas engines, switches, hose, etc.), are subject to the warranty, if any, of their manufacturer. Graco will provide purchaser with reasonable assistance in making any claim for breach of these warranties.

In no event will Graco be liable for indirect, incidental, special or consequential damages resulting from Graco supplying equipment hereunder, or the furnishing, performance, or use of any products or other goods sold hereto, whether due to a breach of contract, breach of warranty, the negligence of Graco, or otherwise.

FOR GRACO CANADA CUSTOMERS

The parties acknowledge that they have required that the present document, as well as all documents, notices and legal proceedings entered into, given or instituted pursuant hereto or relating directly or indirectly hereto, be drawn up in English. Les parties reconnaissent avoir convenu que la rédaction du présente document sera en Anglais, ainsi que tous documents, avis et procédures judiciaires exécutés, donnés ou intentés à la suite de ou en rapport, directement ou indirectement, avec les procédures concernées.

ADDITIONAL WARRANTY COVERAGE

Graco does provide extended warranty and wear warranty for products described in the "Graco Contractor Equipment Warranty Program."

Graco Phone Number

TO PLACE AN ORDER, contact your Graco distributor, or call this number to identify the distributor closest to you:
1-800-690-2894 Toll Free

*All written and visual data contained in this document reflects the latest product information available at the time of publication.
Graco reserves the right to make changes at any time without notice.*

This manual contains English. MM 308532

Graco Headquarters: Minneapolis

International Offices: Belgium, China, Japan, Korea

GRACO INC. P.O. BOX 1441 MINNEAPOLIS, MN 55440-1441

www.graco.com

3/1991 Rev. 09/2008