

| = Vertical bar in left or right margin indicates change or addition.



BK4000/BK4024/BK4220 Series Blower Kit

Installation/Operation Manual C436M-B (12/94)



1.0 WARNINGS

Prior to installation and use of this product, the following WARNINGS should be observed.

1. Installation and servicing should only be done by Qualified Service Personnel and conform to all Local codes.
2. Unless the unit is specifically marked as a NEMA Type 3-6P enclosure, it is designed for Indoor use only and it must not be installed where exposed to rain and moisture.
4. Only use replacement parts recommended by PELCO.

2.0 SCOPE

The information contained within this manual covers the installation and operation of the BK4000/BK4024/BK4220 Blower Kits. Please familiarize yourself with the information in this manual prior to installation and operation.

2.1 DESCRIPTION

The BK4000/BK4024/BK4220 Blower Kits are engineered for installation in the EH4014 and EH4018 Enclosures. The BK4000 requires 120 VAC, the BK4024 requires 24 VAC, and the BK4220 requires 230 VAC.

All units can be used in conjunction with the corresponding Heater Kit.

BK4000 requires 4 watts at 120 VAC, 60 Hz.
BK4024 requires 3 watts at 24 VAC, 60 Hz. (CE)
BK4220 requires 4.8 watts at 230 VAC, 60Hz. (CE)

NOTE: Once installed, the blower kit will reduce the maximum camera/lens length specified by 1-3/4 inches.

3.0 INSTALLATION

The BK4000/BK4024/BK4220 Blower Kits are supplied with the following installation parts:

QTY	ITEM
1	Blower
1	Blower Bracket

To install the BK4000/BK4024/BK4220 perform the following steps (refer to Figure 1):

1. Remove the Phillips Head screws from the rear cap and slide the assembly out from the enclosure.
2. Attach the blower assembly to the rear plate using two of the self-tapping screws, holding the end cap to the sled.
3. Wire according to the wiring diagram in Figure 2.

NOTE: When used with a heater kit (and PCB), the blower can be wired into the terminal block on the PC Board (see Figure 2). With the blower kit only, the PCB is not necessary.

3.1 PARTS LIST (Figure 1.)

Item	Qty	Description	Part Number
1	1	Bracket, fan/pc board	BK40004000COMP
2	1	Bracket component, 24VAC, 230VAC	BK7044002COMP
	1	PCB assy, term/thermott, (used with heater kit)	PCB9000300ASSY
3	1	Fan, 2.36-inch Sq., 120/230 VAC	MM750010003
	1	Fan, 2.36-inch Sq., 24VDC	ED210005
4	1	Resistor 3k ohm, 10w (230 VAC blowerkit only)	RES003.0K10.0
	1	Diode Bridge Rect, 1A400PRV (24 VAC only)	DIOMDA104
5	1	Insulator, PC board (heater kit only)	BK400010000
A	4	Washer, nylon	ZH200X437X62N
B	4	Screw, 6-32 x 3/8 pan phil SS	ZH6-32X.375SPP
C	2	Screw, 6-32 x 1.5 pan phil SS	ZH6-32X1.50SPP
D	2	Nut, hex, 6-32	ZH6-323NUTSH
E	2	Screw, 6-32 x 1/4 self tapping phil	ZH6-SFX.250SPP
F	8	Internal tooth lockwasher, #6	ZH6LWSIS

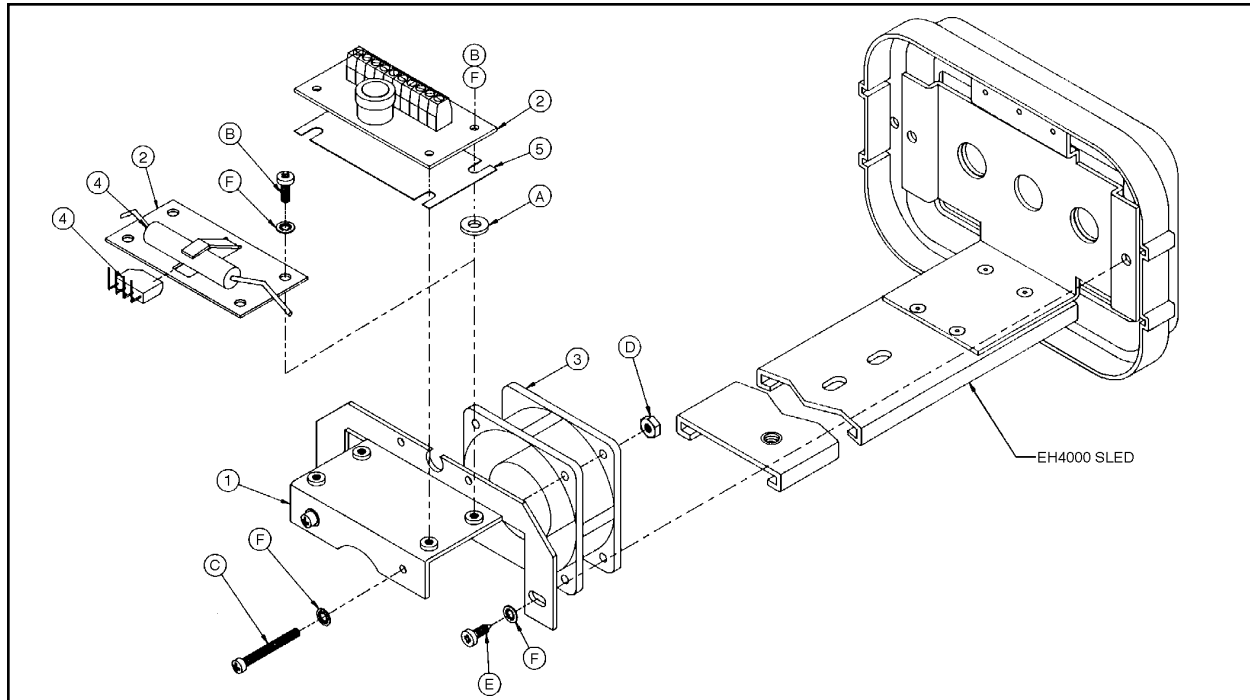


Figure 1. Blower Kit Installation

4.0 WIRING DIAGRAMS

The following items are supplied in the blower kits. Refer to Figure 2 for wiring information with the use of the heater kit PCB board, and without.

Quantity	Item	PELCO Part No.	Blower Kit
1	Fan, 120 VAC, 19 CFM	MM750010003	120 & 230 VAC models
1	Fan, 24 VDC, 19 CFM	ED210005	24 VAC model
1	Resistor for fan, 3K ohm	RES003.0K10.0	230 VAC model
1	Bridge Rectifier Diode	DIOMDA104	24 VAC model
1	Capacitor	CAPU0050.0/25	24 VAC model
1	Component Bracket	BK7044002COMP	24 & 230 VAC models

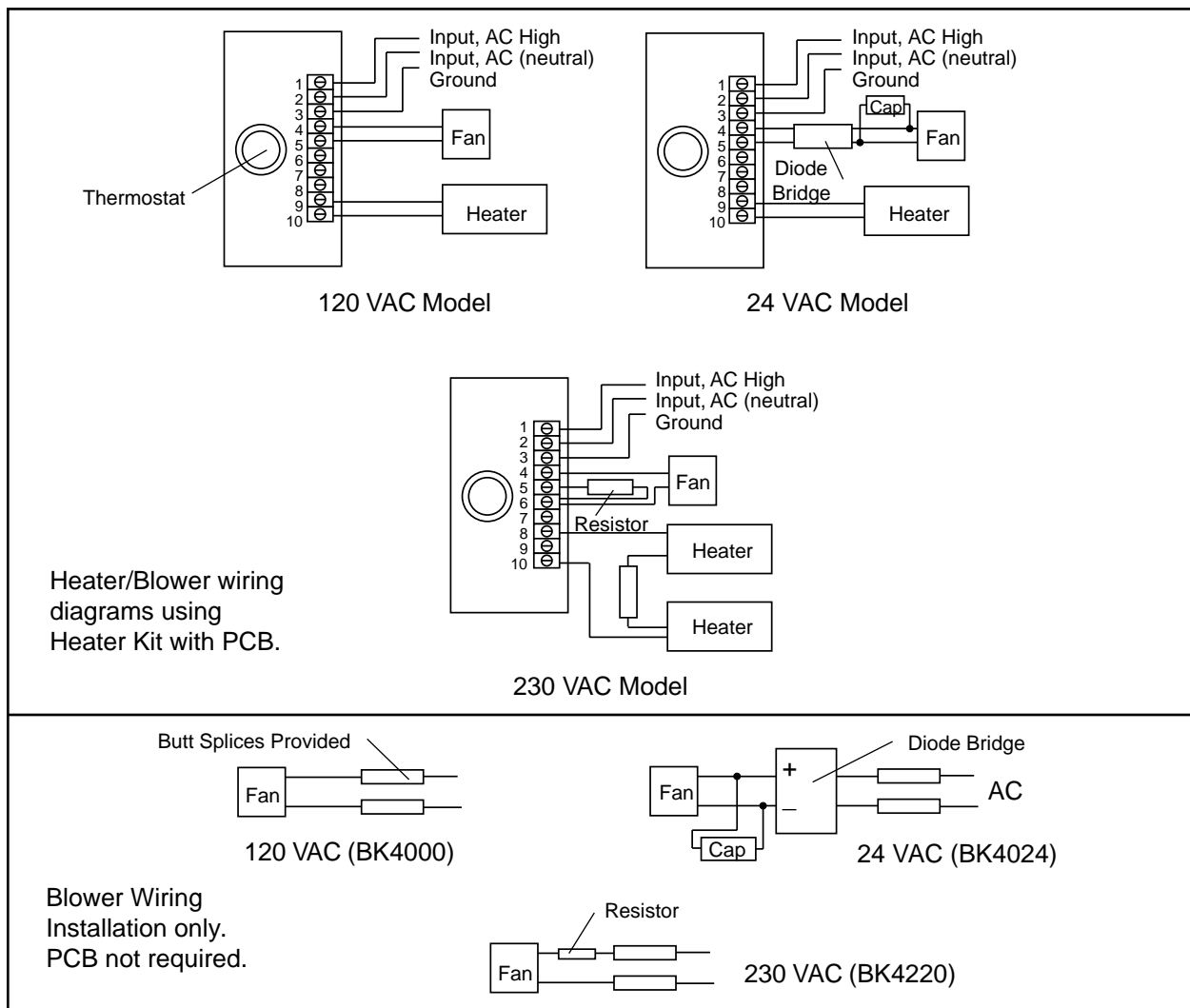


Figure 2. Blower Kit Wiring Diagram

5.0 WARRANTY AND RETURN INFORMATION

WARRANTY

PELCO will repair or replace, without charge, any merchandise proved defective in material or workmanship for a period of one year after the date of shipment (six months on all pan and tilts with auto scan and medium duty scanners, and two years on Legacy®, Intercept® and CM9500/CM8500 Matrix products). PELCO will warranty all replacement parts and repairs for 90 days from the date of shipment. All goods for warranty work shall be sent freight prepaid to our Clovis, California facility. Repairs made necessary by reason of misuse, alteration, normal wear, or accident are not covered under this warranty. PELCO is not liable for any incidental or consequential expenses or liability incurred by the customer as a result of field repair, installation, or any other reason.

The above warranty is in lieu of any other expressed or implied warranty, condition, or guarantee by PELCO of the equipment listed herein. PELCO makes no warranties except for intended use and will not be liable for any loss, damage, or costs arising, whether consequential or incidental, from the use of said merchandise.

This warranty gives you specific legal rights. You may also have additional rights, which are subject to variation from state to state.

If a warranty repair is required, contact PELCO at (800) 289-9100 or (559) 292-1981 for a Repair Authorization number (RA), and provide the following information:

1. Model and serial number
2. Date of shipment, P.O. number, Sales Order number, or PELCO invoice number
3. Details of the defect or problem

If there is a dispute regarding the warranty of a product which does not fall under the warranty conditions stated above, please include a written explanation with the product when returned.

Ship freight prepaid to: PELCO
300 West Pontiac Way
Clovis, CA 93612-5699

Method of return shipment shall be the same as method by which the repair item is received by PELCO.

RETURNS

In order to expedite parts returned to the factory for repair or credit, please call the factory at (800) 289-9100 or (559) 292-1981 to obtain an authorization number (CA number if returned for credit, and RA number if returned for repair). Goods returned for repair or credit should be clearly identified with the assigned CA/RA number and freight should be prepaid. All merchandise returned for credit may be subject to a 20% restocking and refurbishing charge.

Ship freight prepaid to: PELCO
300 West Pontiac Way
Clovis, CA 93612-5699



PELCO
300 West Pontiac Way, Clovis, CA 93612-5699
(559) 292-1981 • (800) 289-9100
FAX (800) 289-9150 or (559) 292-3827 •
DataFAX (800) 289-9108 or (559) 292-0435

International customers call 1-559-292-1981 or
FAX 1-559-348-1120

(Product specifications subject to change
without notice.)

C436M-B