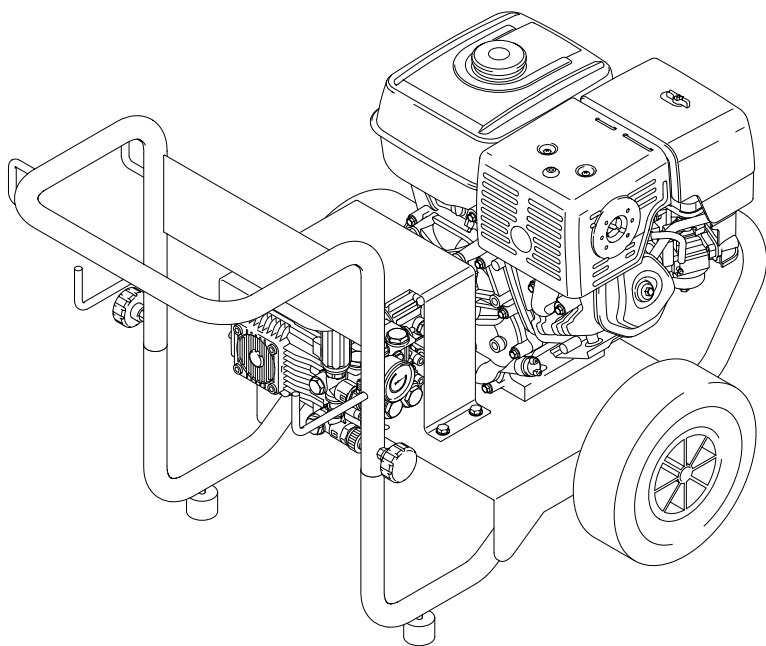




**BLUE
CLEAN
850**



FRANÇAIS

ENGLISH

DEUTSCH

ITALIANO

ESPAÑOL

РУССКИЙ



FR	<i>Lire ce manuel avant l'installation/utilisation du nettoyeur en faisant très attention aux INSTRUCTIONS POUR LA SÉCURITÉ</i>
EN	<i>Read this manual through carefully before installing/using the cleaner, paying special attention to the SAFETY INSTRUCTIONS</i>
DE	<i>Lesen Sie dieses Handbuch vor der Installation und dem Gebrauch des Hochdruckreinigers aufmerksam durch und achten Sie besonders auf die SICHERHEITSAUWEISUNGEN</i>
IT	<i>Leggere questo manuale prima dell'installazione/uso dell'idropulitrice, prestando particolare attenzione alle ISTRUZIONI PER LA SICUREZZA</i>
ES	<i>Leer este manual antes de la instalación/uso de la hidrolimpiadora, prestando particular atención a las INSTRUCCIONES SOBRE SEGURIDAD</i>
RU	<i>Прочитайте данное руководство перед установкой моечной машины, обращая особенное внимание на ИНСТРУКЦИИ ПО БЕЗОПАСНОСТИ</i>



CE DÉCLARATION DE CONFORMITÉ FR

Nous déclarons, en assumant la pleine responsabilité de cette déclaration, que le produit est conforme aux normes suivantes et aux documents correspondants

EN 60335-2-79:2004

Selon les prescriptions des directives:

98/37/CE

73/23/CEE, 89/336/CEE, 2000/14/CE

Date: 24/03/2006
MODENA (I)
Stefano Reverberi
Managing Director

CE DECLARATION OF CONFORMITY EN

We declare under our sole responsibility that this product is in conformity with the following standards or standardized documents

EN 60335-2-79:2004

In accordance with the regulations:

98/37/EC

EEC 73/23, EEC 89/336, 2000/14/EC

Date: 24/03/2006
MODENA (I)
Stefano Reverberi
Managing Director

CE KONFORMITÄTserklärung DE

Wir erklären in alleiniger Verantwortung, dass das Produkt den folgenden Normen und normativen Dokumenten entspricht:

EN 60335-2-79:2004

gemäß den Bestimmungen der Richtlinien:

98/37/EG

73/23/EWG, 89/336/EWG, 2000/14/EG

Datum: 24.03.2006
MODENA (I)
Stefano Reverberi
Managing Director

CE DICHIARAZIONE DI CONFORMITÀ IT

Dichiariamo, assumendo la piena responsabilità di tale dichiarazione, che il prodotto è conforme alle seguenti normative e ai relativi documenti

EN 60335-2-79:2004

in base alle prescrizioni delle direttive:

98/37/CE

CEE 73/23, CEE 89/336, 2000/14/CE

Data: 24/03/2006
MODENA (I)
Stefano Reverberi
Managing Director

CE DECLARACIÓN DE CONFORMIDAD ES

Declaramos, asumiéndonos la plena responsabilidad al respecto, que el producto cumple con lo establecido por las siguientes normativas y relativos documentos:

EN 60335-2-79:2004

sobre la base de lo dispuesto por las directivas:

98/37/CE

73/23/CEE, 89/336/CEE y 2000/14/CE

Fecha: 24/03/2006
MODENA (I)
Stefano Reverberi
Managing Director

CE ДЕКЛАРАЦИЯ СООТВЕТСТВИЯ RU

Зявляем, возлагая на себя полную ответственность за данную декларацию, что данная продукция соответствует следующим нормам и соответствующим документам

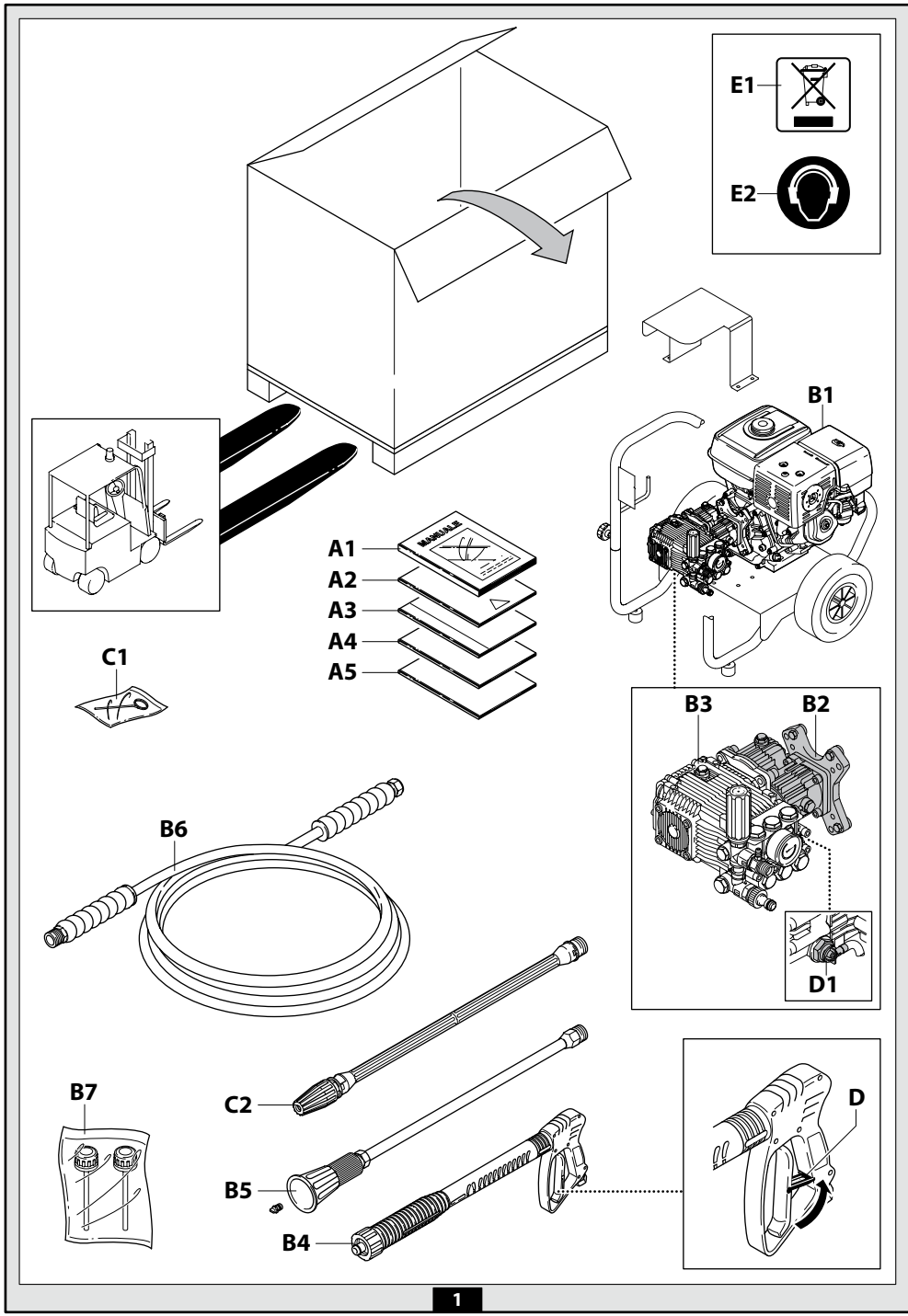
EN 60335-2-79:2004

на основании требований директив:

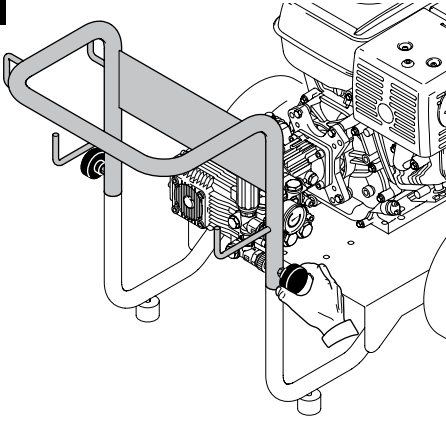
98/37/EC

73/23/EEC, 89/336/EEC, 2004/14/EC

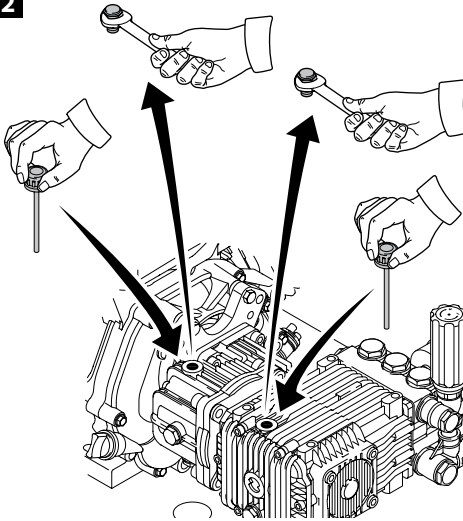
Дата: 24/03/2006
Модена (Италия)
Стефано Реве́рberi
Управляющий директор



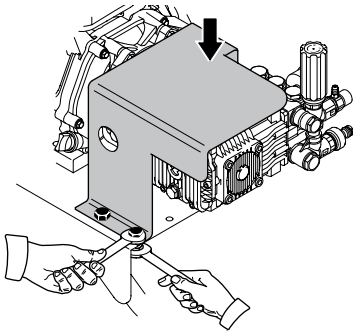
1



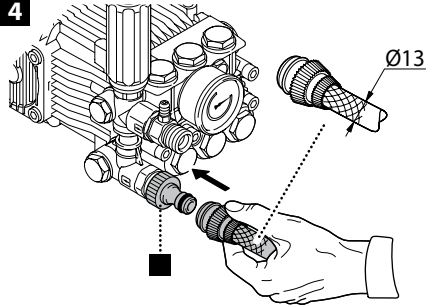
2



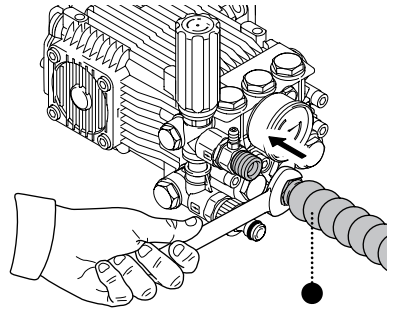
3



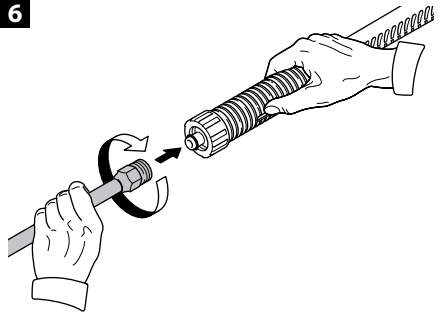
4



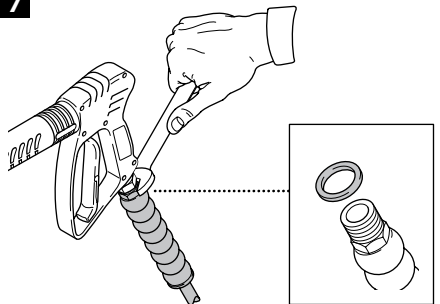
5

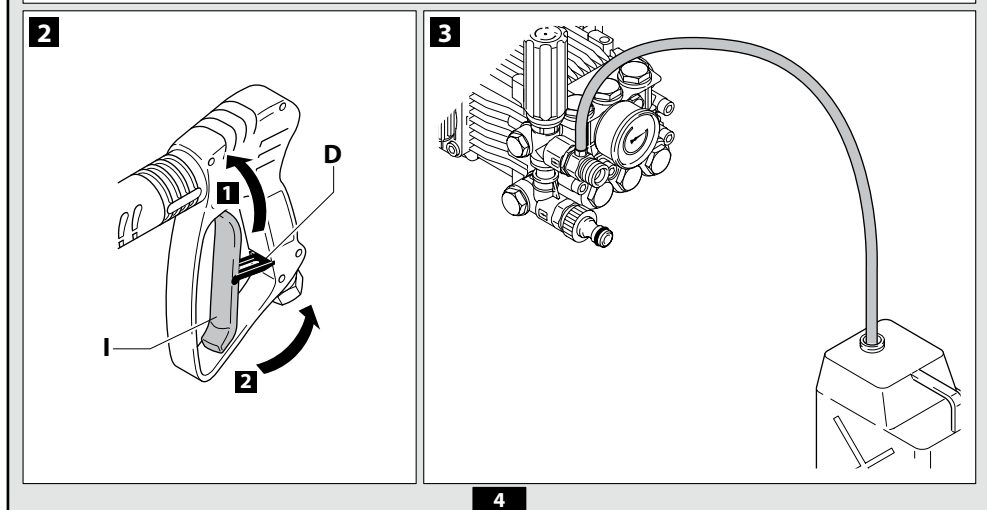
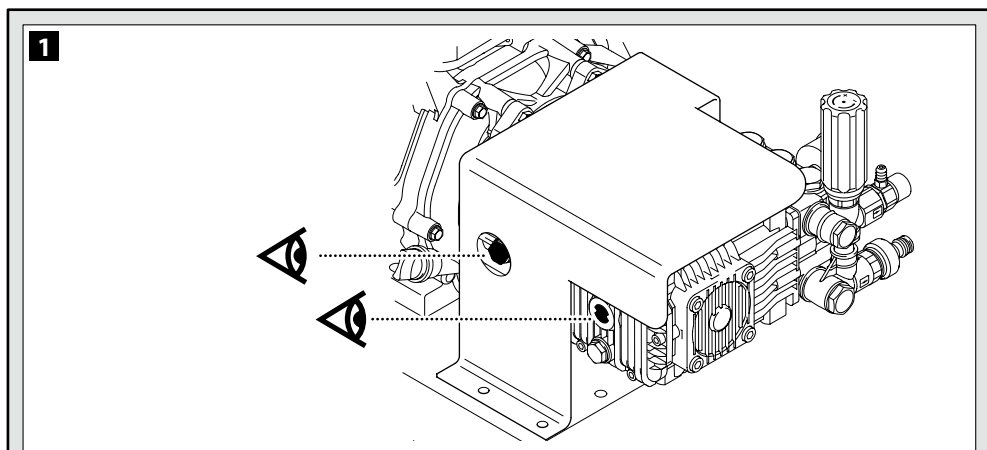
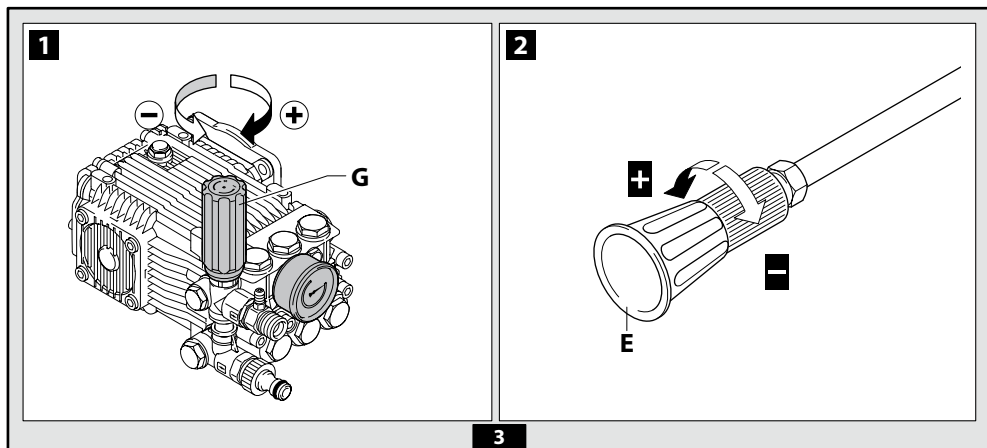


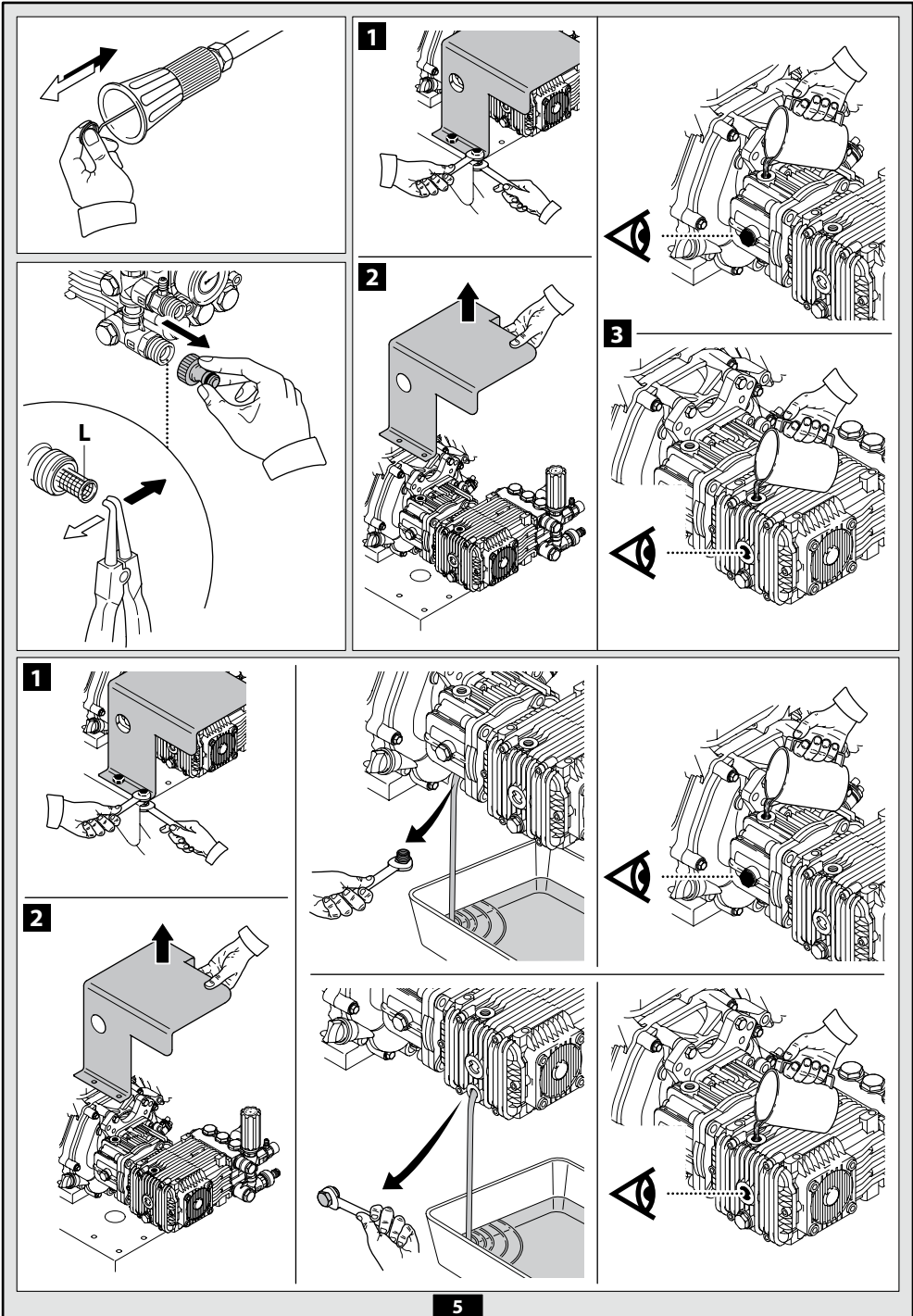
6



7







1 GENERAL INFORMATION (FIG. 1)

1.1 Use of the manual

The USE + MAINTENANCE manual forms an integral part of the power-jet cleaner and should be kept for future reference.

Please read it carefully before installing/using the appliance.

Read the engine manufacturer's manual carefully.

If the appliance is sold, the seller must pass on the manuals to the new owner along with the appliance.

1.2 Delivery

The cleaner is delivered partially assembled in a cardboard box, fixed to a pallet.



Caution - Danger!

Suitable lifting equipment must be used when lifting the power-jet cleaner.

The supply package is illustrated in fig.1

1.2.1 Documentation supplied with the appliance

- A1** Use and maintenance manual
- A2** Safety instructions
- A3** Declaration of conformity
- A4** Technical data
- A5** Engine instruction manual

1.3 Disposing of packaging

The packaging material must be disposed of in accordance with the relevant legal requirements.

1.4 Safety signs

Comply with the instructions provided by the safety signs fitted to the cleaner.

Check that they are present and legible; otherwise, fit replacements in the original positions.

E1 sign - indicates that the cleaner **must not be disposed of** as municipal waste; it may be handed in to the dealer on purchase of a new cleaner.

The cleaner's electrical and electronic parts must not be reused for improper uses since they contain substances which constitute health hazards.

E2 sign - indicates that ear defenders must be worn.

2 TECHNICAL INFORMATION (FIG. 1)

2.1 Envisaged use

This appliance has been designed for individual and professional use for the cleaning of vehicles, machines, boats, masonry, etc, to remove stubborn dirt using clean water and biodegradable chemical detergents.

Vehicle engines may be washed only if the dirty water is disposed of as per regulations in force.

- Intake water temperature: **below 60 °C**.

- Intake water pressure: **below 10 bar**.

- Operating ambient temperature: **above 0 °C**.

The power-jet cleaner is compliant with the 98/37/EC Directive.

2.2 Operator

Use of the cleaner requires specific technical skill and training and a good sense of responsibility.

The operator must meet specific physical and mental requirements to be suitable for the job in hand; the cleaner must therefore only be used by the appointed person.

2.3 Improper use

Use by unskilled persons or those who have not read and understood the instructions in the manual is forbidden.

The introduction of inflammable, explosive and toxic liquids into the cleaner is prohibited.

Use of the cleaner in a potentially inflammable or explosive atmosphere is forbidden.

The use of non-original accessories and any other accessories not specifically intended for the model in question is prohibited.

All modifications to the cleaner are prohibited. Any modifications made to the appliance shall render the Declaration of Conformity null and void and relieve the manufacturer of all liability under civil and criminal law.

2.4 Main components

- B1** - Engine
- B2** - Reduction gearbox (where fitted)
- B3** - Pump
- B4** - Gun with safety catch
- B5** - Lance
- B6** - High pressure hose
- B7** - Oil caps

2.4.1 Accessories

- C1** Nozzle cleaning tool
- C2** Rotopower (where fitted)

2.5 Technical data

The technical data are specified in the enclosure.

2.6 Safety devices



Caution - Danger!

Never tamper with the safety devices.

- Safety valve and pressure limiting valve

The safety valve is also a pressure limiting valve. When the gun trigger is released, the valve opens and the water recirculates through the pump inlet.

- Thermostat valve (D1)

If the water temperature exceeds the temperature set by the manufacturer, the thermostat valve discharges the hot water and draws in an amount of cold water equal to the amount of water discharged.

- **Safety catch (D)**: prevents accidental spraying of water.

2.7 Noise levels

At even short exposure times, noise may cause hearing impairment in the long term.

Users must wear ear defenders to protect their hearing.

3 INSTALLATION (FIG. 2)

3.1 Assembly



Caution - Danger!

All installation and assembly operations must be performed with the engine off.

The assembly sequence is illustrated in fig. 2.

3.2 Fitting the pressure release caps

To prevent oil leaks, the appliance is delivered with the oil intakes sealed with red caps which must be replaced with the pressure release caps supplied.

3.3 Assembling the rotating nozzle (where fitted)

The rotating nozzle kit delivers greater washing power.

3.4 Water supply connection



Caution - Danger!

Only clean or filtered water should be used for intake. The delivery of the water intake tap should be equal to that of pump capacity.

Do not use container and tanks to supply the appliance.

Place the cleaner as close to the water supply system as possible.

3.4.1 Connection points

- Water outlet (OUTLET)
- Water inlet with filter (INLET)

3.4.2 Connection to the mains water supply

The cleaner can be connected directly to the mains drinking water supply only if the supply hose is fitted with a backflow preventer valve as per current regulations in force. Make sure that the hose is at least \varnothing 13 mm and that it is reinforced.

4 ADJUSTMENTS (FIG. 3)

4.1 Adjusting the pressure

The regulator (G) is used to adjust the working pressure. The pressure is shown on the pressure gauge.

4.2 Adjusting the nozzle

Water flow is adjusted by regulating the nozzle (E).

5 INFORMATION FOR USE (FIG. 4)



Caution - Danger!

Never use the cleaner when malfunctioning. In the event of damage, the high pressure hose must be replaced immediately to prevent bursts.

5.1 Preliminary checks

Before using the cleaner, check the oil level:

- in the engine (see engine constructor's manual);
- in the reduction gearbox (where fitted);
- in the pump.

Check the reduction gearbox and pump oil gauges to check the oil level. It should be halfway up the gauge. If necessary, top up with oil having the same characteristics (see the "Oil characteristics" table).

5.2 Controls

For information about the engine controls, refer to the engine constructor's manual.

- Water jet control lever (I).



Caution - Danger!

During operation the cleaner must be positioned on a flat surface firm enough to support it securely.

5.3 Starting the appliance



Caution - Danger!

Before starting up the cleaner check that the water supply hose is connected properly; use of the cleaner without water will damage the appliance.

- 1) Turn the water supply tap fully on.
- 2) Release the safety catch (D).

- 3) Keep the gun trigger depressed and start the engine.
- 4) Keep the gun trigger depressed for a few seconds to vent the air from the pump.

To prevent damage to the appliance, when running do not stop the water jet for more than 5 minutes at a time.

5.4 Stopping

- 1) Stop the engine.
- 2) Depress the gun trigger and discharge the residual pressure inside the hoses.
- 3) Engage the gun safety catch (D).

5.5 Refilling and using detergent

Place the hose straight in the detergent container.

5.6 Recommended cleaning procedure

Dissolve dirt by applying the detergent mixed with water to the surface while still dry.

When dealing with vertical surfaces work from the bottom upwards.

Leave the detergent to act for 1-2 minutes but do not allow the surface to dry. Starting from the bottom, use the high pressure jet at a minimum distance of 30 cm. Do not allow the rinse water to run onto unwashed surfaces.

5.7 Ending the working session

- 1) Stop the engine.
- 2) Turn off the water supply tap.
- 3) Discharge the residual pressure from the gun until all the water has come out of the nozzle.
- 4) Engage the gun safety catch (D).
- 5) Remove the water intake hose.
- 6) Remove the detergent hose from the container.

6 MAINTENANCE (FIG. 5)

Any maintenance operations not covered by this chapter should be carried out by an Authorised Sales and Service Centre.



Caution - Danger!

Stop the engine before doing any work on the cleaner.

6.1 Cleaning the filter

Clean the suction filter (L) after every 50 hours of operation.

6.2 Topping up the oil level

The oil level must be topped up with the cleaner on a flat surface.

Remove the casing (where fitted) to top up the oil level. Replace the casing (where fitted) when done.

6.2.1 Topping up the pump oil

Add oil through the intake hole to restore the correct level.

For oil characteristics, refer to the "Oil characteristics" table.

6.2.2 Topping up the reduction gearbox oil (where fitted)

Add oil through the intake hole to restore the correct level.

For oil characteristics, refer to the "Oil characteristics" table.

6.3 Oil Change



Caution - Danger!
Spent oil must not be dumped because it is a pollutant. It must be disposed of in accordance with legal requirements.

Change pump and reduction gearbox oil (where fitted) after first 50 hours of operation, and every 500 hours thereafter.

Remove the casing (where fitted) to change the oil.
Replace the casing (where fitted) when done.

6.3.1 Changing the pump oil

Unscrew the drain plug and allow all the spent oil to flow out.

Screw the plug back into place.

Pour in oil through the filler hole.

Check that the oil level is correct.

For oil characteristics, refer to the "Oil characteristics" table.

6.3.2 Changing the reduction gearbox oil (where fitted)

Unscrew the drain plug and allow all the spent oil to flow out.

Screw the plug back into place.

Pour in oil through the filler hole.

Check that the oil level is correct.

For oil characteristics, refer to the "Oil characteristics" table.

Table 1 - Oil characteristics

Component	Oil type	Quantity (kg)
Pump 850	SAE 30 W	0.9
Pump 840	SAE 30 W	0.9
Pump 830	SAE 30 W	0.3
Pump 820	SAE 30 W	0.3
Pump 810	SAE 75 W90	0.135
Reduction gearbox	AGIP BLASIA W90	0.21

6.4 Storage

Treat the appliance with non-corrosive, non-toxic anti-freeze before storing it away for winter.

7 TROUBLESHOOTING

Problem	Possible causes	Remedy
Pump does not reach working pressure	Nozzle worn	Replace nozzle
	Water filter fouled	Clean filter (fig.5)
	Water supply pressure low	Turn on water supply tap fully
	Air being sucked into system	Check tightness of hose fittings
	Air in pump	Switch off the cleaner and keep depressing and releasing the gun trigger until the water comes out in a steady flow. Switch the cleaner back on again.
Pressure drops during use	Adjustable nozzle not positioned correctly	Turn the adjustable nozzle "E" (+) (fig.3)
	Water intake from external tank	Connect cleaner to the mains water supply
	Intake water too hot	Reduce temperature
Water leakage	Nozzle clogged	Clean nozzle (fig.5)
	Seals worn	Have the seals replaced at your nearest Authorised Service Centre
Cleaner noisy	Water too hot	Reduce temperature (see technical data)
Oil leakage	Seals worn	Contact your nearest Authorised Service Centre
Engine malfunction		Refer to the engine manufacturer's manual.
Water escapes from thermostat valve	Water temperature inside nozzle has exceeded max. rated value stated on nameplate	With appliance in operation, do not stop the water jet for more than 5 minutes at a time