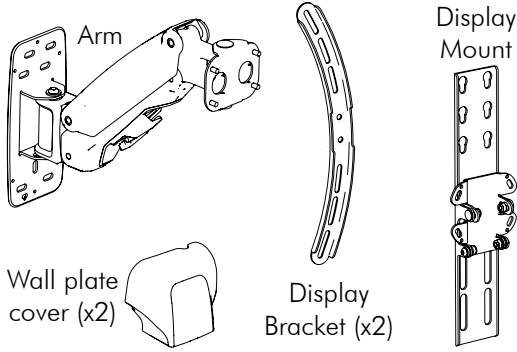


Component Checklist



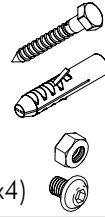
Hardware Bag

Coach Screw (x4)

Nylon Anchor (x4)

M6 Nyloc Nut (x4)

M6 x 6mm screw (x4)



Spanner

6mm/4mm

Allen key

12mm Washer (x4)

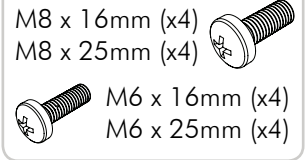
20mm Washer (x4)

Display Mounting Screws Bag

M8 x 16mm (x4)

M8 x 25mm (x4)

M6 x 16mm (x4)
M6 x 25mm (x4)



Tools required:

- Philips head screwdriver
- 5mm (0.2") drill bit
- Power drill
- 10mm (0.39") masonry drill bit

IMPORTANT INFORMATION

! IMPORTANT - Install Telehook Flatscreen wall mount as per Installation Instructions

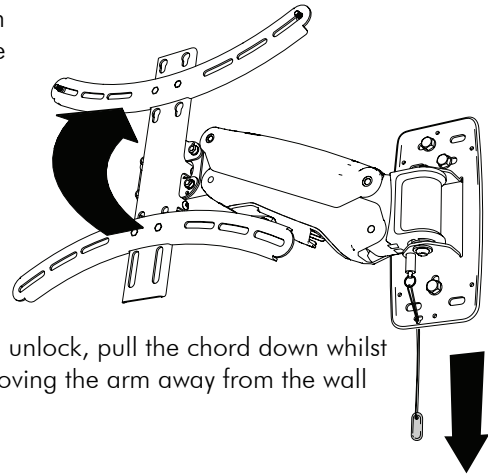
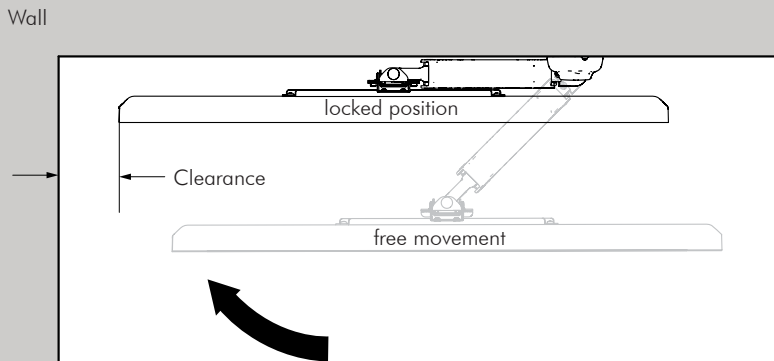
- ! This product supports a minimum load of 5kg (11lbs) and a maximum load of 25kg (55lbs)
- ! This product supports VESA mounting hole configurations from 200mm x 200mm to 400mm x 400mm
- ! The Manufacturer accepts no responsibility for incorrect installation.

Step 1. Check Components

Check you have received all parts against the Component Checklist and Hardware.

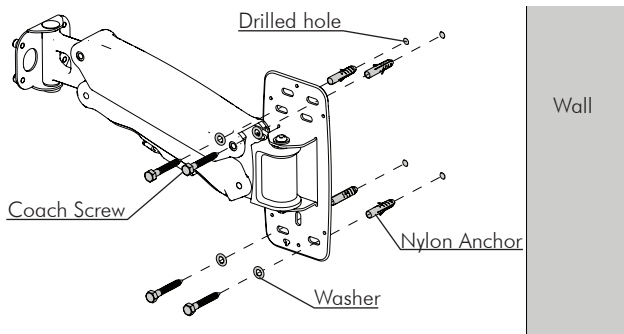
Step 2. Mounting Location

This product has a feature where the arm will automatically lock in position when pushed up against the wall to the left. If this feature is to be used allow clearance to the left when deciding the mounting location.



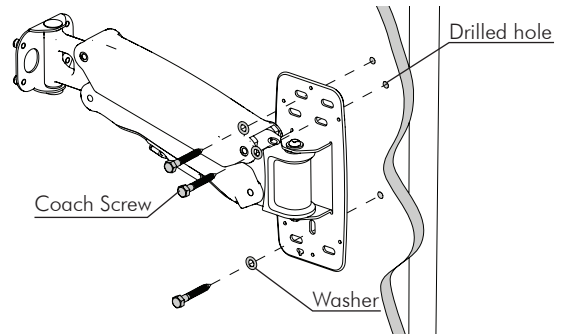
Step 3. Install Arm to the wall

Masonry Wall



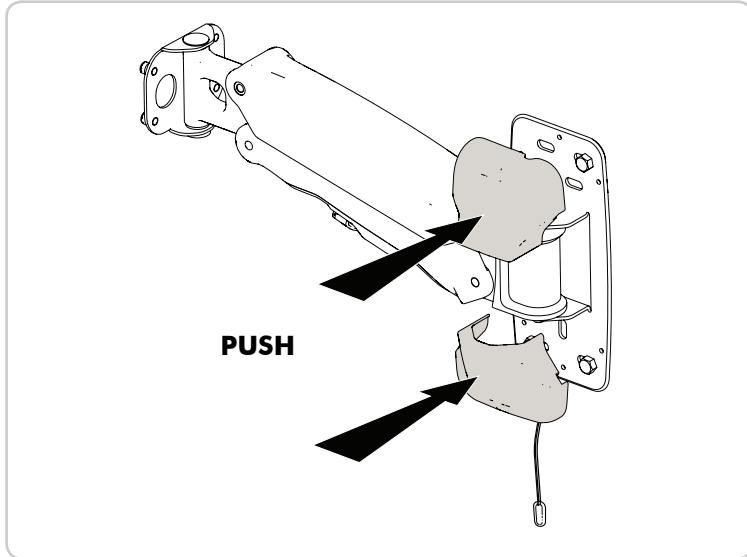
- Using a 10mm (0.39") masonry drill bit, Drill four holes, 60mm (2.4") deep.
- Secure the mounting plate to the wall using the Coach Screws and Nylon Anchors supplied.

Timber Stud wall

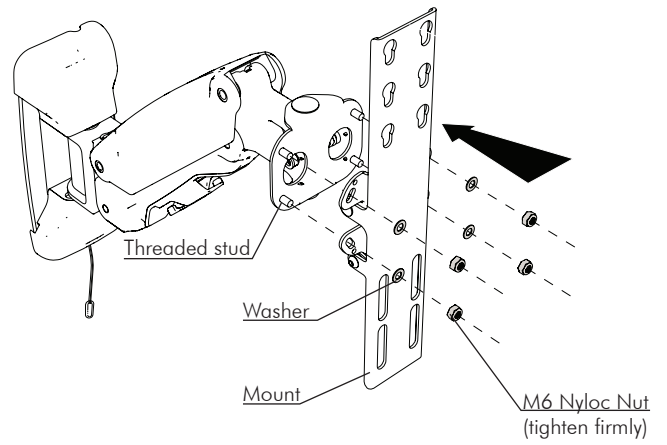


- Using a 5mm (0.2") drill bit, Drill three holes, 60mm (2.4") deep.
- Secure the mounting plate to the wall using the Coach Screws supplied.
- NOTE:** Use a stud finder to accurately locate the centre of the stud. Ensure that all screws fix securely into stud.

Step 4. Attach Wall Plate Covers

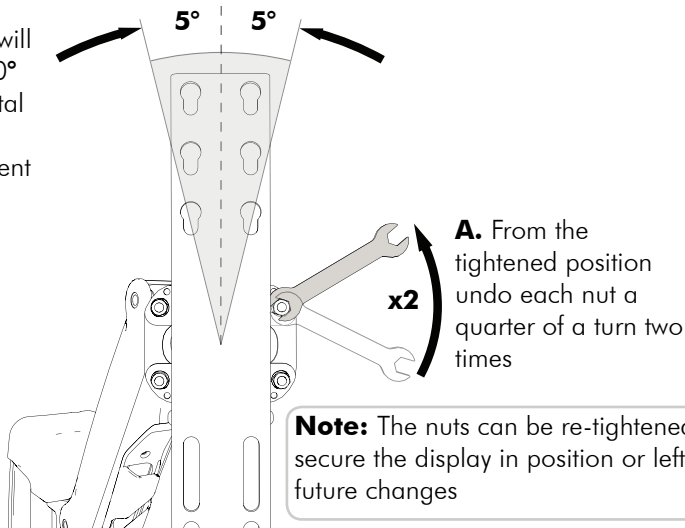


Step 5. Attach Display Mount to Arm

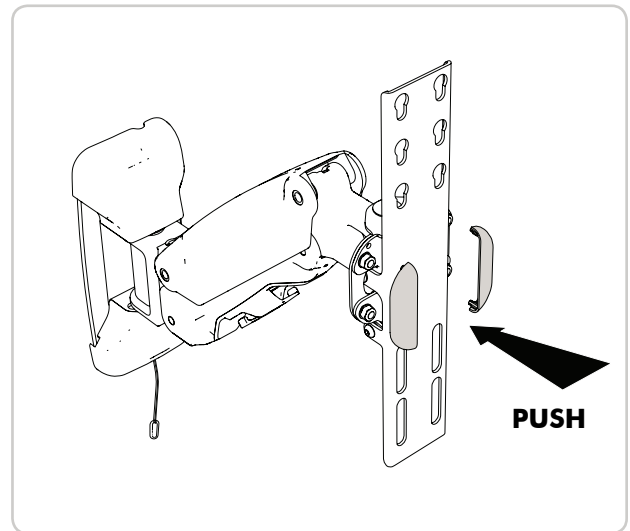


Step 6. Horizontal Rotation Adjustment

B. This will allow 10° Horizontal rotation adjustment

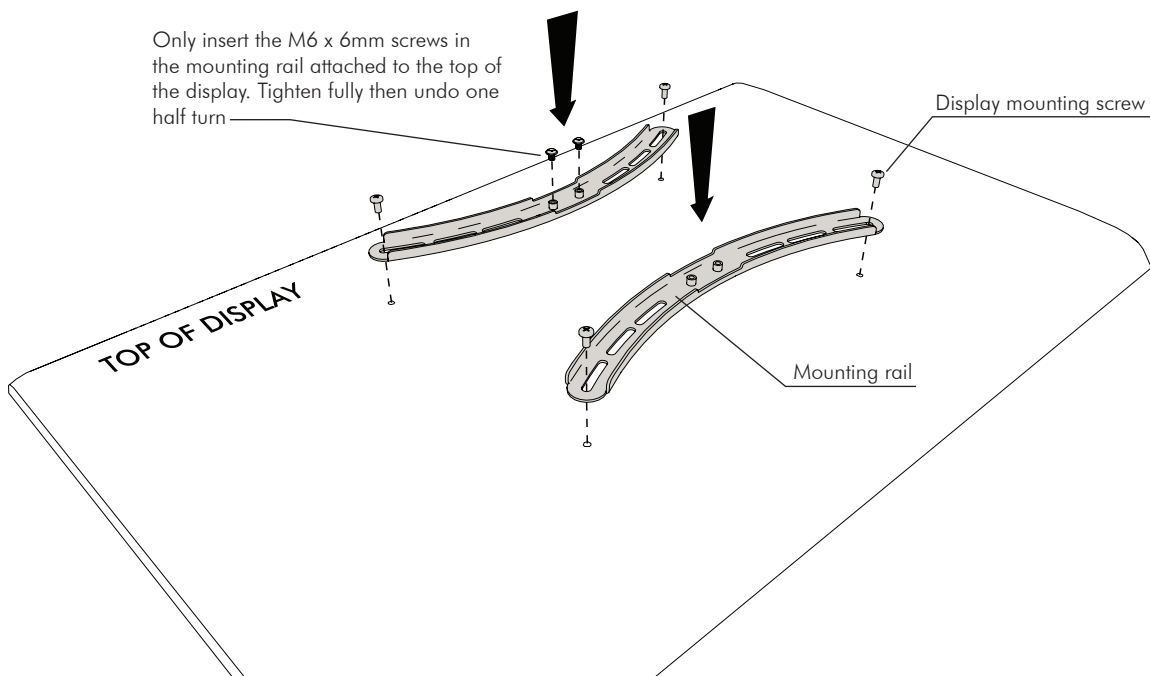


Step 7. Attach Screw Covers



Step 8. Attach Mounting Rails To Display

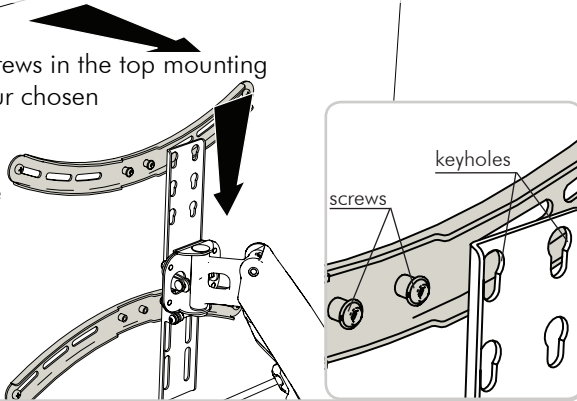
The Mounting rails support VESA hole configurations from 200mm x 200mm to 400mm x 400mm



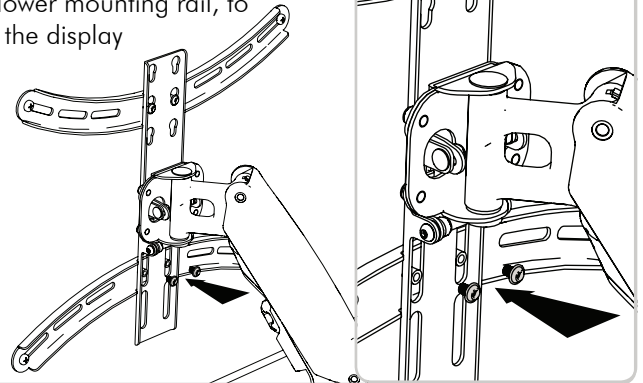
Step 9. Attach Display to Display Mount

A. Prior to attaching your Display check which of the three pairs of keyhole mounting positions on the Display Mount to use that will also allow access to the lower mounting slots.

B. Hook the screws in the top mounting bracket into your chosen pair of keyhole mounting positions on the display mount

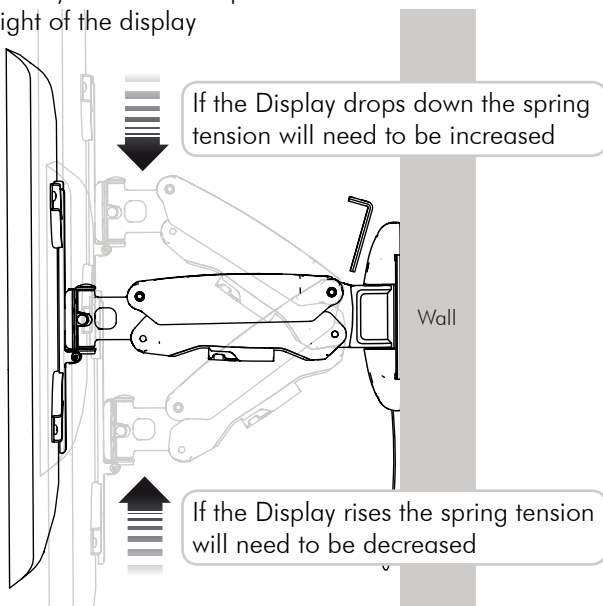


C. Attach M6 x 6mm screws to the lower mounting rail, to secure the display



Step 10. Display Height Adjustment

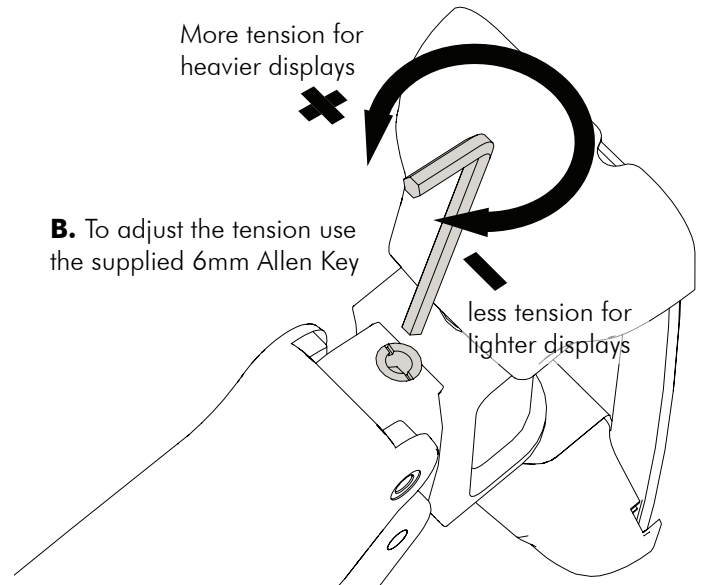
A. The Arm may need to be adjusted to suit the weight of the display



More tension for heavier displays

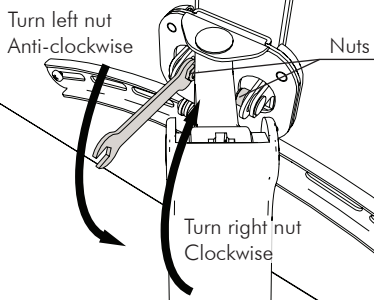
B. To adjust the tension use the supplied 6mm Allen Key

less tension for lighter displays



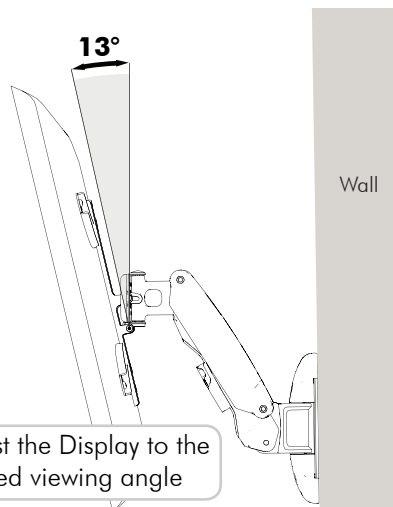
Step 11. Tilt Adjustment

loosen the nuts on both sides of the tilt mount

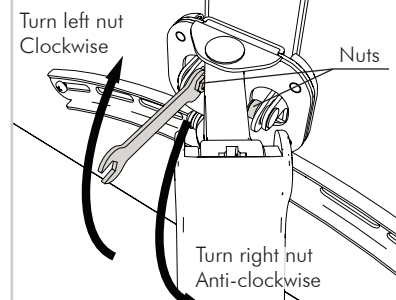


13°

Adjust the Display to the desired viewing angle



Tighten nuts to secure position



Installation complete

