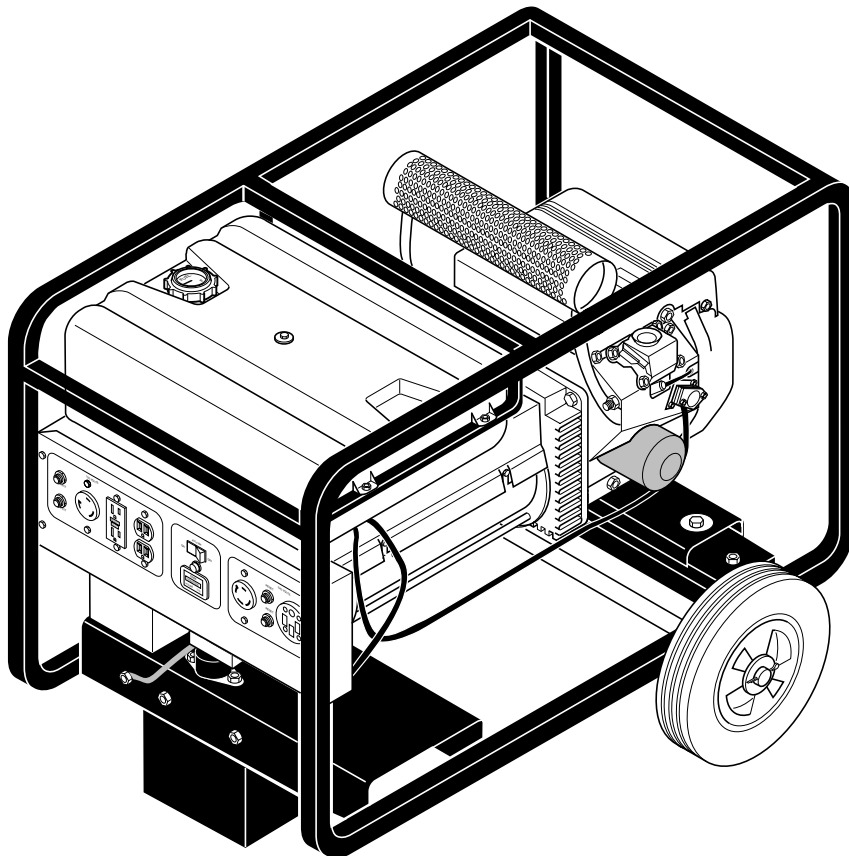


# **PORTABLE GASOLINE GENERATORS**

## **SUPPLEMENTAL INSTRUCTIONS FOR FACTORY INSTALLED AUTO-IDLE EQUIPPED GENERATORS**



**10,000 Watt Portable Generators**  
**(See Owner's Manual and Installation Manual for General Operation)**

### **IMPORTANT**

**Read and understand this manual before operating or servicing generator. Improper use of generator can cause serious injury. Keep this manual for future reference.**

**Notice:** The 250 volt/50 amp receptacle is not connected through the auto-idle circuit. Auto-idle rocker switch must be turned off to get full power out of this receptacle (see Figure 1).

**⚠ WARNING: Improper installation, adjustment, alteration, service, or maintenance can cause injury or property damage. Only a qualified electrical service person should service and repair generator.**

- Generator produces high voltage. Use extreme caution when working on electrical parts.
- Turn off generator and let cool before installation. Severe burns may result.
- Remove spark plug wire from spark plug before installation. This will prevent accidental starting.
- Use only factory-approved replacement parts.

## PRESTART

Operate generator on a firm, dry, and clean surface. The surface must be level. Protect generator from heavy dust, sand, dirt, rain, or snow. Do not locate generator near standing water and snow. Make sure area is well-vented.

**⚠ WARNING: Only responsible adults should use generator. Never let anyone operate generator without proper instructions.**

**Note:** If oil level is too low, oil alert system will keep engine from starting (see *Oil Alert System* in owner's manual, page 8). Make sure oil level is full before starting. See *Engine Oil* in owner's manual, page 8.

Before starting the engine, disconnect all electric loads from generator.

## STARTING

**IMPORTANT:** The loaded engine speed is preset. The throttle is locked in preset position. Do not adjust throttle. Preset position lets engine run at 3600 RPM under load. The engine must maintain 3600 RPM for generator to create correct voltage. Running engine at lower speeds will damage generator and powered items.

**IMPORTANT:** Never start generator with electrical loads connected. Start engine before adding electrical loads.

## OPERATION INSTRUCTIONS

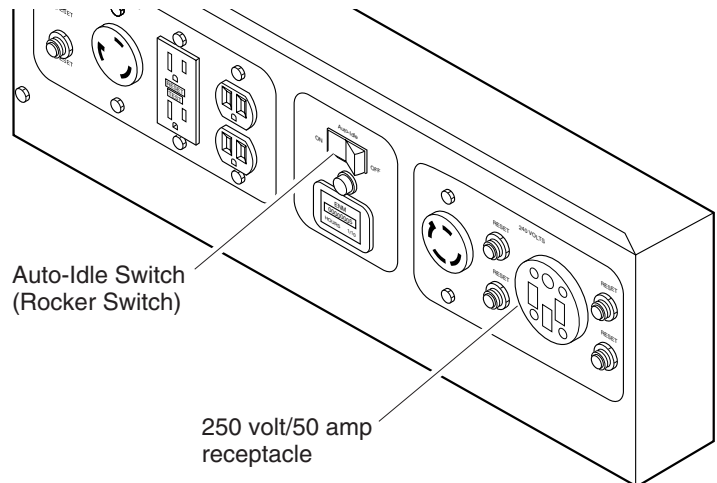
1. If the engine is cold, turn Auto-Idle switch off (see Figure 1).
2. Start Engine. Allow engine to warm up with no load for five minutes.
3. Turn Auto-Idle switch on. Engine will slow to idle speed. Engine idle speed is preset. Idle speed adjustment should not be necessary.
4. Operate generator according to specifications outlined in owner's manual.
5. Engine will automatically increase to normal operating speed when you plug load into any generator outlet.
6. Auto-Idle system should be turned off when generator is shut down.

## STOPPING ENGINE

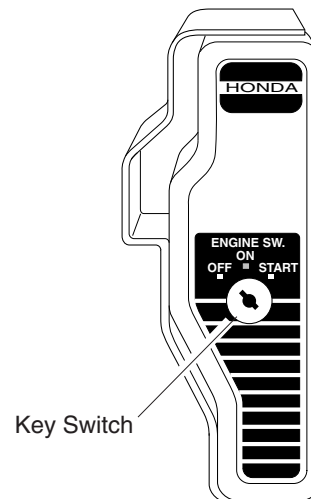
**IMPORTANT:** The loaded engine speed is preset. The throttle is locked in preset position. Do not adjust throttle.

Follow the steps below to stop engine.

1. Remove all electrical loads from generator (see *Disconnecting Electrical Loads* in owner's manual, page 13). Remove electrical loads one at a time.
2. Let engine run for two or three minutes after removing electrical loads. This lets engine cool slightly.
3. Turn engine key switch to the OFF position (see Figure 1).
4. Turn fuel valve off. Do this by rotating valve, located under fuel tank, clockwise to the horizontal position (see Figure 3).



**Figure 1 - Auto-Idle Switch Location**



**Figure 2 - Engine Key Switch**

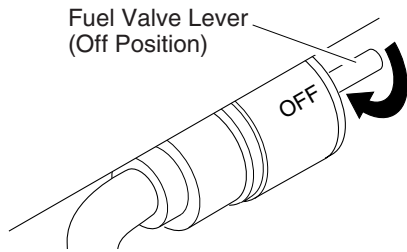


Figure 3 - Fuel Valve In Off Position

## ADJUSTING THE IDLE SPEED

**IMPORTANT:** Adjust the idle speed

- Only if the idle speed becomes too high
- If engine idle speed will not regulate (engine idles and speeds up again and again).

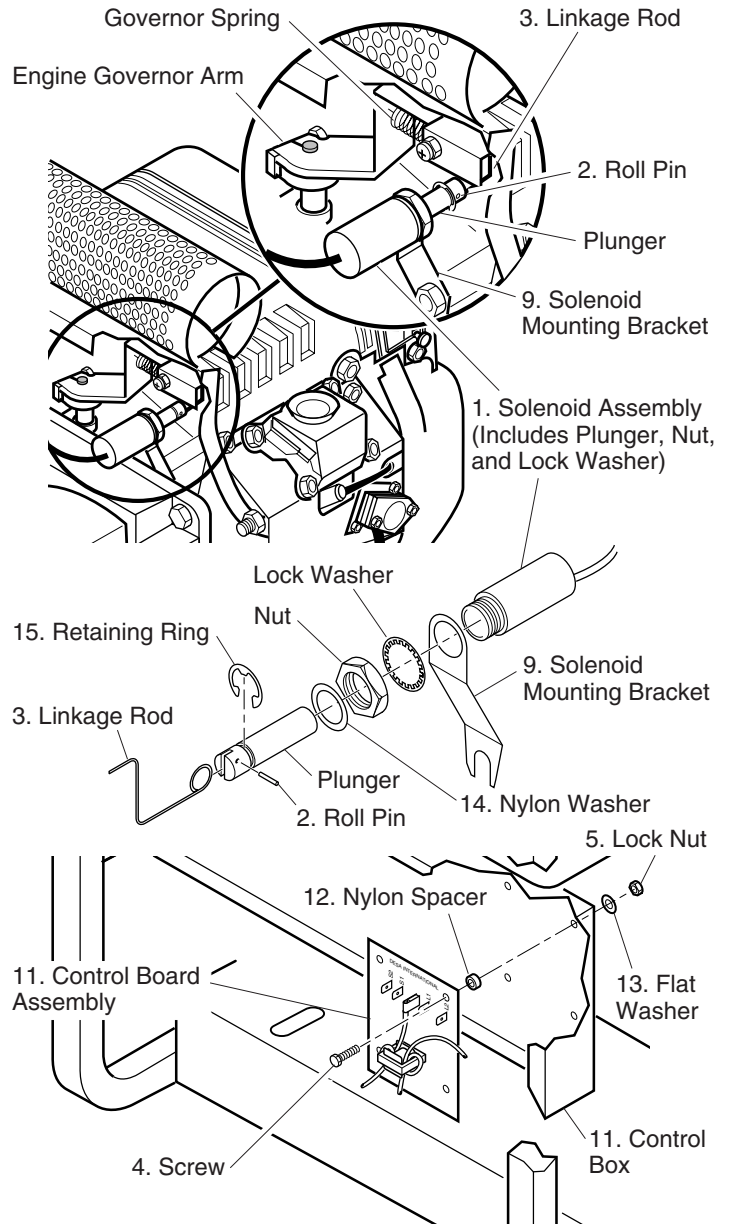
1. Turn Auto-Idle switch off. Start engine. Allow engine to warm up with no load for five minutes.

**⚠ WARNING: Guard against burns. Hot muffler, exhaust manifold, and engine parts can cause severe injury. Use caution and remain alert when adjusting or using generator.**

2. Hold plunger in solenoid body to manually engage solenoid and set idle speed.

**⚠ WARNING: Always set the idle speed before turning on the Auto-Idle. If idle speed is not set, the large resistor on the control board may become hot. Heat from the resistor may damage the protective coating on the control board.**

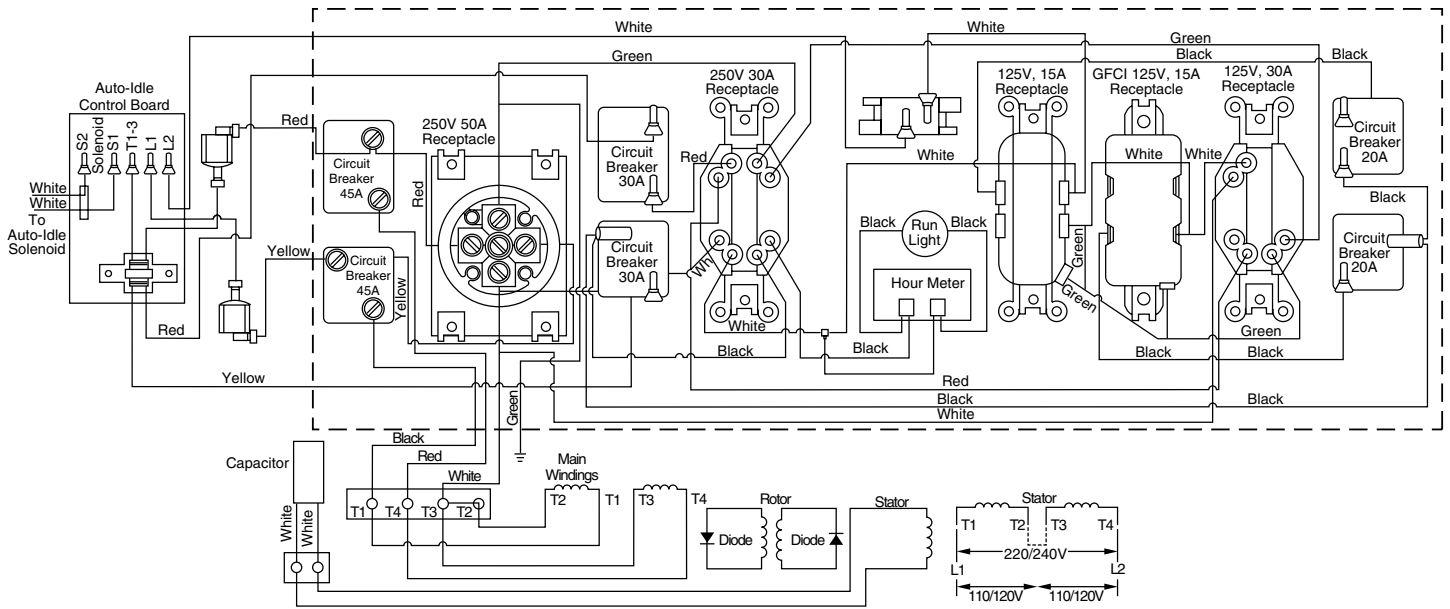
3. Slowly pull solenoid and bracket away from engine. This will slow the engine. Make sure to hold plunger into solenoid during this step.
4. With a volt meter, check the no-load output voltage at the 120-volt duplex receptacle. At proper idle speed (2680 minimum RPM) the meter should read 50-60 volts. Lower settings will cause the auto-idle to not operate properly.
5. Locate proper solenoid mounting bracket positioning. Line up solenoid body so that plunger will fully engage into body without any interference.
6. Turn Auto-Idle switch on. Make sure solenoid is engaged. When solenoid is engaged, the solenoid pulls plunger back into solenoid.
7. If the engine speed is too slow, the engine will want to “hunt.” When engine hunts, it speeds up and then slows down repeatedly. When this occurs, increase engine speed by adjusting throttle stop screw on carburetor (refer to *Carburetor Adjustment* in Honda Engine Manual).



Key No.	Part Number	Description	Qty.
1	100324-03	Solenoid Assembly (includes plunger, nut, and lock washer)	1
2	22822000	Roll Pin	1
3	100755-01	Linkage Rod	1
4	26499000	Hex Head Screw, 10-32 x 3/4"	4
5	26514000	Lock Nut, 10-32	4
6	100320-01	Yellow Wire	1
7	100322-01	White Wire (with 2 flags)	1
8	100322-02	White Wire (with 1 flag and 1 spade)	1
9	102939-01	Solenoid Mounting Bracket	1
10	100366-01	Rocker Switch	1
11	100105-01	Control Board Assembly	1
12	100321-01	Nylon Spacer	4
13	01076002	Flat Washer, #10	4
14	103811-01	Nylon Washer	1
15	103812-01	Retaining Ring	1
Δ	103257-01	PC Board Kit	1
†	103258-02	Solenoid Assembly Kit	1

Δ Includes Parts 4, 5, 6, 7, 8, 10, 11, 12, and 13

† Includes Parts 1, 2, 3, 9, 14, and 15



Rated Watts	Resistance in Ohms				Capacitor, MFD 450 Volt	Diodes, (2) 800 Volt
	Stator Main Winding *	Stator Auxiliary Winding Δ	Rotor Primary Winding †	Rotor Secondary Winding †		
10,000	0.4	0.9	0.37	0.5	80	70Amp

- \* Connect T2 and T3. Measure resistance between T1 and T4.
- Δ Disconnect capacitor leads in order to read auxiliary winding resistance.
- † Remove diodes to check resistance.