



Illustrated Parts List
Les Parties Illustrées Enumèrent
Las Partes Ilustradas Listan

Model / Modelo / Modèle
040211

Questions? Help is just a moment away!
Preguntas? La ayuda es justa un momento lejos!
Vous avez des questions? Vous n'avez pas
besoin d'aller loin pour trouver de l'aide!

Call: **Home Standby Helpline**

Llamada: **Línea Directa de Reserva de Hogar**

Appelez: **Ligne Directe de Secours À la Maison**

1-800-743-4115 M-F 8-5 CT

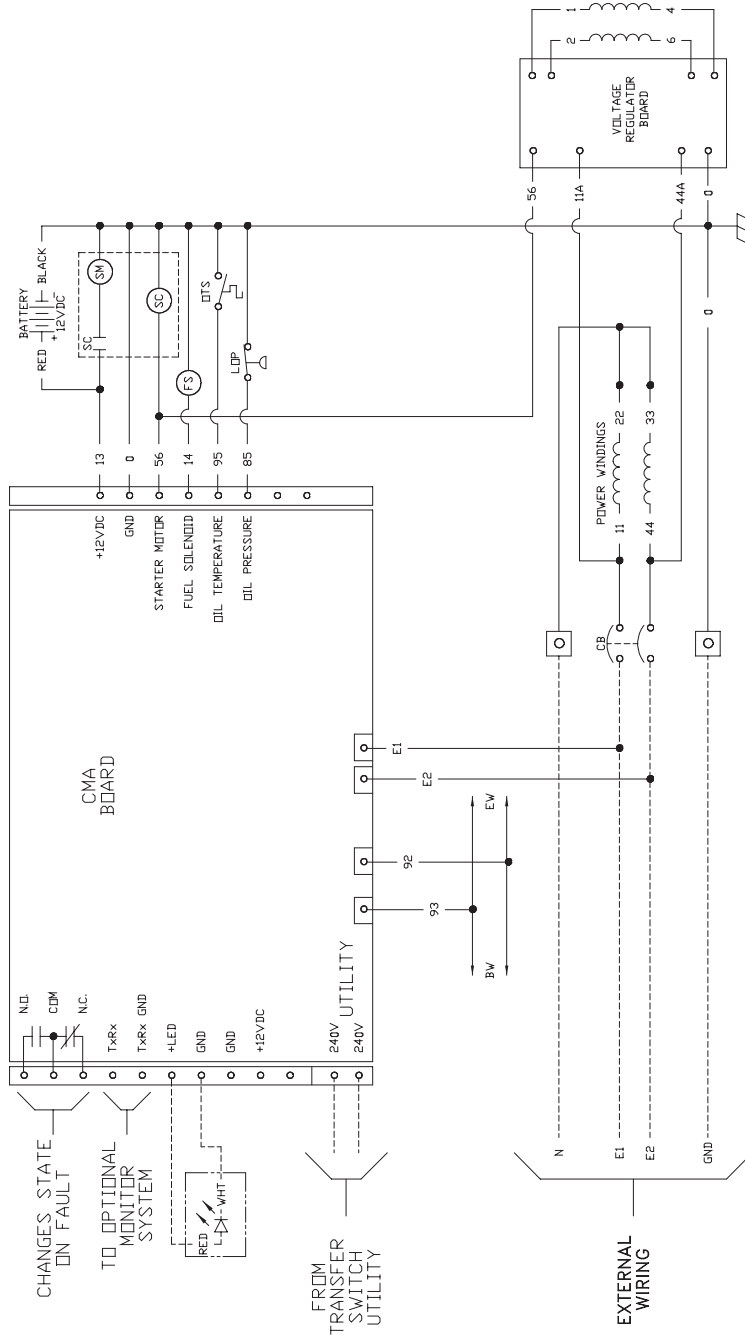
BRIGGSandSTRATTON.COM



20000 Rated Watts
Home Generator System



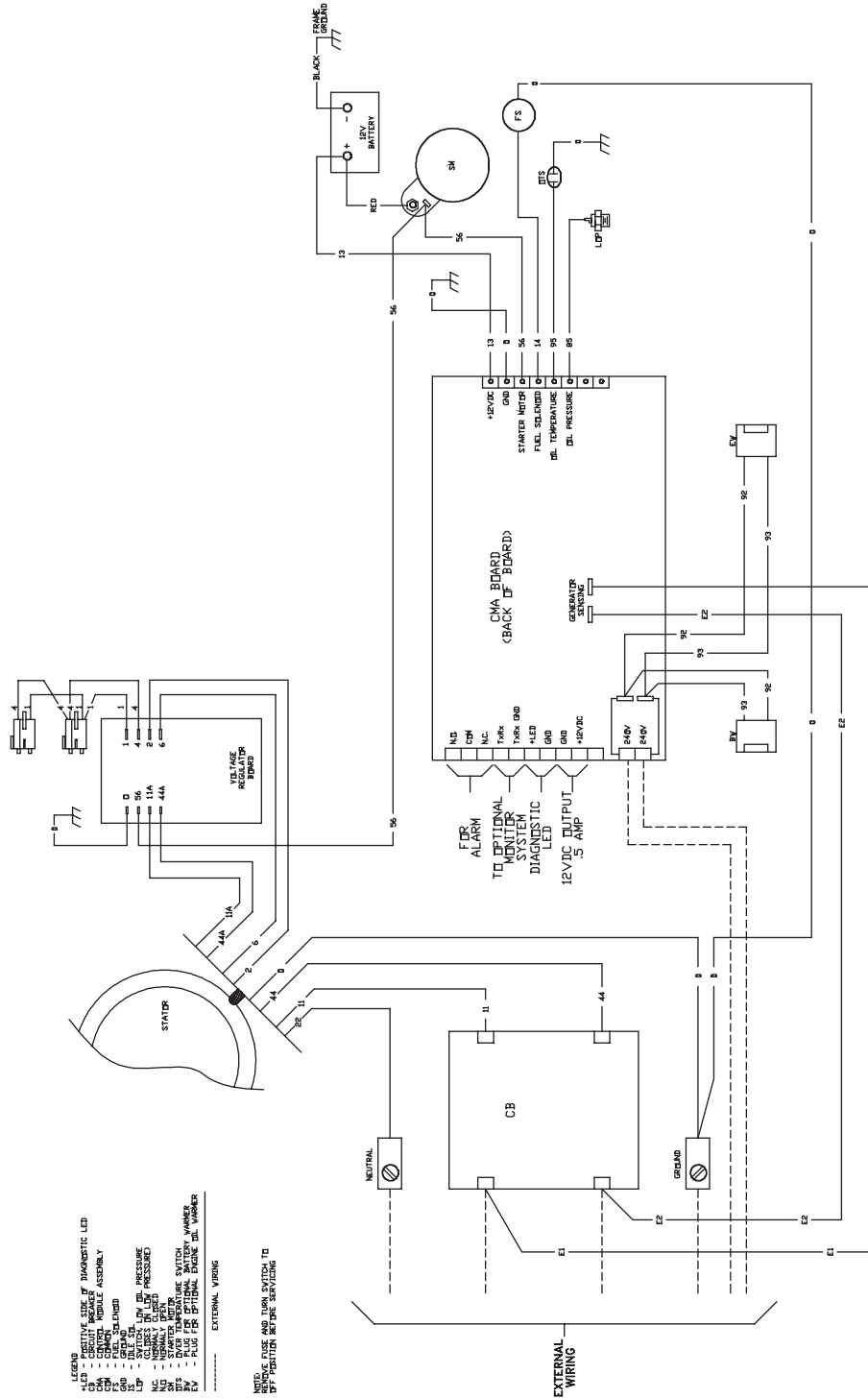
UNIT SCHEMATIC DIAGRAM



Copyright © 2007 Briggs & Stratton Power Products Group, LLC. All rights reserved. No part of this material may be reproduced or transmitted in any form by any means without the express written permission of Briggs & Stratton Power Products Group, LLC.

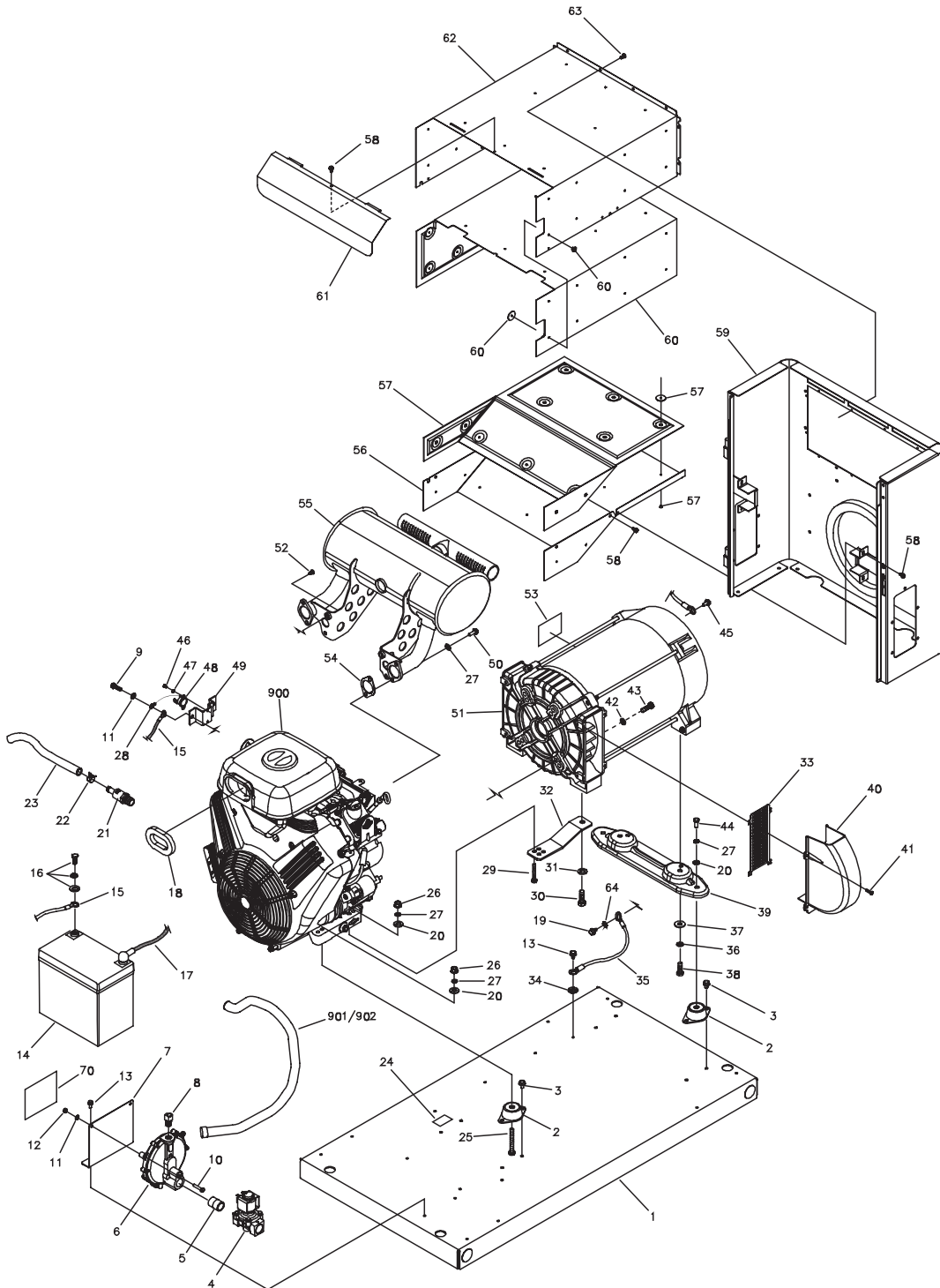
WIRING DIAGRAM

UNIT WIRING DIAGRAM



EXPLODED VIEW

UNIT EXPLODED VIEW



PARTS LIST

UNIT PARTS LIST

Item	Part #	Description	Item	Part #	Description
1	T203030GS	BASE, Mounting	47	*	WASHER, Lock #4
2	187594GS	MOUNT, Vibration	48	186205GS	SWITCH, Oil Temp
3	24910GS	HHS, Trilobular 5/16 - 18 x 1/2	49	194699GS	PLATE, Switch Oil Temp
4	194683GS	SOLENOID, Gas Fuel	50	809743	SCREW
5	194829GS	FITTING, Coupling	51	NSP	ASSY, Alt (see pages 10 & 11)
6	194830GS	REGULATOR	52	692062	SCREW
7	195936GS	BRACKET, Mounting Solenoid	53	193506GS	DECAL, Caution Hot Surface
8	202382GS	FITTING, 3/4 Flare to 3/8 NPT	54	809872	GASKET
9	*	HHCS, M6 - 1.0 x 16	55	202885GS	MUFFLER
10	*	HHCS, M6 - 1.0 x 30	56	202884GS	BASE, Muffler Box
11	*	WASHER, 1/4 Lock	57	203533GS	KIT, Insulation, Muffler Box Base
12	*	NUT, M6 - 1.0	58	56893GS	CRIMPTITE, 10 - 24 x 1/2
13	B4300GS	HHS, Trilobular, 1/4 - 20 x 1/2	59	202985GS	ASSY, Bulkhead, Alt End w/Insulation
14	194818GS	BATTERY	60	203534GS	KIT, Insulation, Muffler Box Top
15	185939UGS	WIRE-A, Black	61	194682GS	COLLECTOR, Muffler Box
16	198913GS	KIT, Battery Hardware	62	202883GS	BOX, Muffler Top
17	198593DGS	WIRE-A, Red	63	192445GS	SCREW, 10 - 32 x 5/8
18	202958GS	TUBE, Air Cleaner	64	*	WASHER, M6 Shakeproof
19	B4995GS	HHS, Trilobular, 1/4-20 x 7/8	70	202896GS	DECAL, Requirements, Fuel
20	*	WASHER, Flat 5/16 - M8	900	§	ENGINE
21	204025GS	VALVE, Oil Drain	901	843644	FUEL HOSE
22	48031JGS	CLAMP, Hose Band	902	843438	CLAMP
23	186430GS	HOSE, Oil Drain			
24	186649GS	DECAL, Oil Drain			
25	*	HHCS, 5/16 - 18 x 2.5 Full Thread			
26	*	NUT, 5/16 - 18			
27	*	WASHER, Lock 5/16 - M8			
28	186790CGS	WIRE			
29	*	HHCS, 5/16 - 18 x 2" Lg			
30	*	HHCS, M12 - 1.75 x 35			
31	*	WASHER, M12			
32	B194685GS	SUPPORT, Eng/Alt, Black			
33	202922GS	SCREEN			
34	*	WASHER, Shakeproof Ext. M6-1/4			
35	185939WGS	WIRE, Ground			
36	*	WASHER, 3/8 Lock			
37	*	WASHER, Flat, 3/8 - M10			
38	*	HHCS, 3/8 - 16 x 1			
39	B198896GS	BRACKET, Mounting Alt, Black			
40	202761GS	DUCT, Air			
41	*	SCREW, M5.8 x 10, Taptite			
42	*	WASHER, Lock 3/8			
43	*	SHCS, 3/8 - 16 x 1-1/4			
44	*	HHCS, 5/16 - 18 x 3/4			
45	B4300GS	HHS, Trilobular, 1/4 - 20 x 1/2			
46	*	PPHMS, 4-40 x 0.19			

Parts Not Illustrated		
	202826GS	MANUAL, Install
	202827GS	MANUAL, Operator's
	MS3483	MANUAL, Engine
	202814GS	KIT, Manual/Accessory, HGS
	199475GS	PAINT, Touchup, Spray, Sliver, 12oz
	198811GS	PAINT, Touchup, Bottle, Metallic Sliver 1/2 oz
	B3518GS	CAP, Funnel Oil Bottle
	202295GS	HOSE, Flex
	198866GS	KIT, Led Remote
	202828GS	MANUAL, IPL
	203434GS	KIT, Decals, Service

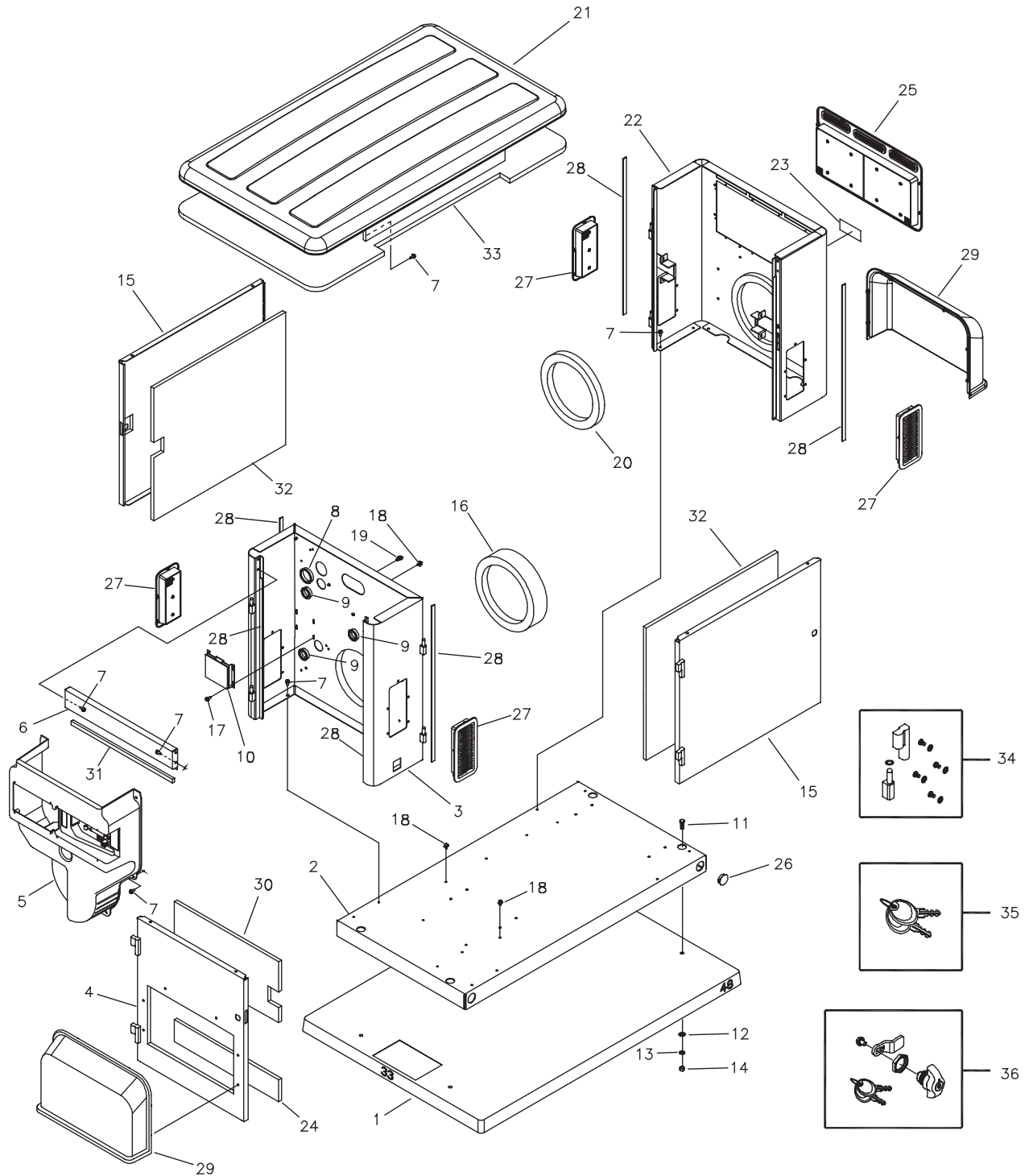
Optional Accessories		
	6030	KIT, Cold Weather (Includes Battery and Oil Warmers)

* - Items without part numbers are common fasteners and are available at your local hardware store.

§ - Contact Engine Manufacturer

EXPLODED VIEW

ENCLOSURE EXPLODED VIEW



PARTS LIST

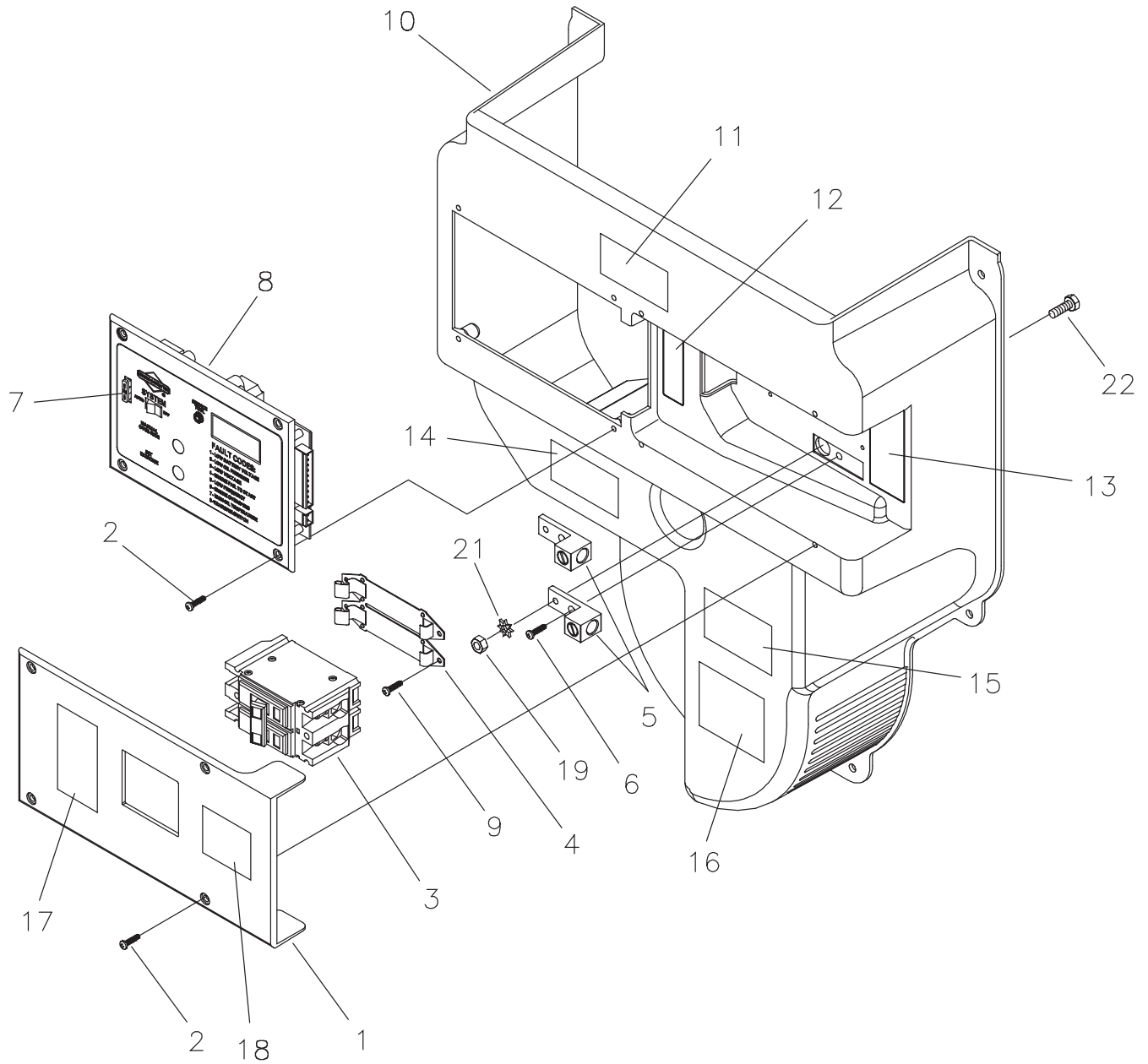
ENCLOSURE PARTS LIST

Item	Part #	Description	Item	Part #	Description
1	197275GS	PAD, Mounting w/Holes	16	202956GS	SEAL, Foam, Engine Air
2	T203030GS	BASE, Mounting	17	192778GS	HHS, Trilobular, #8-32 x 1/2
3	202987GS	ASSY, Bulkhead, Eng End	18	195733GS	MOUNT, Tie Wrap
	 Bulkhead, Eng End	19	192940GS	RETAINER, Hose
	 Decal, Fuel Inlet	20	202957GS	SEAL, Foam, Alt Inlet
	 Seal, Foam	21	198893GS	ASSY, Roof/Siderails
	 Seal, Foam Engine Air		 Weldment Roof/Siderails
	 Bushing, 1-1/2		 Insulation
	 Bushing, 1-3/8	22	202985GS	ASSY, Bulkhead, Alt End
	 Plug, Dome 1-1/2		 Decal, Caution Hot Muffler
	 Pin, Hinges with Hardware		 Seal, Foam
4	198891GS	ASSY, Door, Eng. End		 Seal, Foam Alt Inlet
	 Weldment, Door Eng End		 Pin, Hinges with Hardware
	 Insulation		 Bracket, Muffler
	 Barrel, Hinges with Hardware	23	77816AGS	DECAL, Caution Hot Muffler
5	198910GS	ASSY, Duct, Engine Air	24	203303GS	INSULATION, Engine Door, Bottom
	 Decals	25	198926GS	ASSY, Vent, Exhaust
	 Lug, Ground Connect w/Hardware	26	198460GS	PLUG, Dome
	 Bracket, Mounting Breaker	27	198927GS	ASSY., Vent, Alt.
		w/Hardware	28	198888GS	SEAL, Foam
6	198917GS	ASSY, Support, Rail	29	194694GS	COVER, Air Intake Engine
	 Support Rail Eng. End	30	203302GS	INSULATION, Engine Door, Top
	 Seal, Foam	31	197312GS	SEAL, Foam
	 Decal, Rainproof	32	196397GS	INSULATION, Front/Rear Door
7	B4300GS	HHS, Trilobular, 1/4-20 x 1/2	33	195597GS	INSULATION, Roof
8	203015GS	BUSHING, Snap, 2"	34	198890GS	KIT, Door, Hinge
9	197493GS	BUSHING, Snap, 1-1/2"	35	194828GS	SET, Latch Key
10	198338GS	REGULATOR, Voltage	36	198889GS	KIT, Door Latch
11	*	HHCS, 3/8 - 16 x 1			
12	*	WASHER, Flat, 3/8 - M10			
13	*	WASHER, Lock 3/8			
14	*	NUT, 3/8 - 16			
15	198892GS	ASSY, Door			
	 Weldment Door			
	 Insulation			
	 Barrel Hinges with Hardware			
	 Decals			

* - Items without part numbers are common fasteners and are available at your local hardware store.

EXPLODED VIEW

CONTROL PANEL EXPLODED VIEW



CONTROL PANEL PARTS LIST

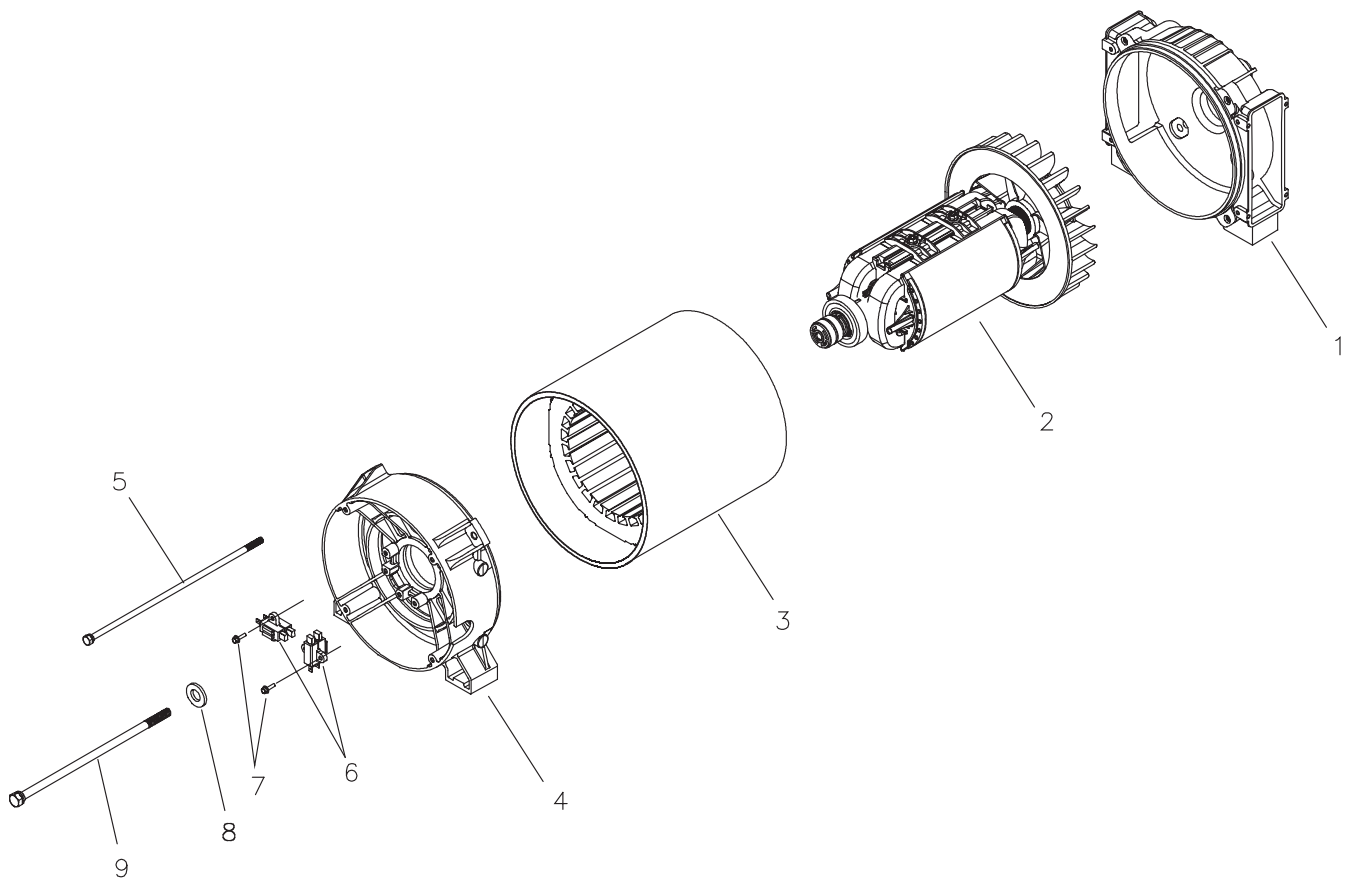
Item	Part #	Description
1	198911GS	ASSY, Cover, Circuit Breaker w/ Decals
2	*	SCREW, 10 x 0.62, Plastite
3	202593GS	BREAKER, Circuit 100A, 2P
4	192770GS	BRACKET, Mounting Breaker
5	199011GS	LUG, Ground Connect
6	191991GS	BOLT, 1/4-10 x 1, Plastite
7	198573GS	FUSE, Auto Type 15 Amp
8	196655GS	ASSEMBLY, Control Panel
9	197492GS	SCREW, PT, M4 - 1.79 x 16.0
10	198910GS	ASSY, Duct, Engine Air w/ Decals
11	B5082AGS	DECAL, Danger High Voltage
12	198549GS	DECAL, Terminal Block
13	198550GS	DECAL, Ground, Neutral
14	186647GS	DECAL, Warning, Outdoor Install
15	193297GS	DECAL, Caution, Standby
16	186646GS	DECAL, Warning, Auto Start
17	186645GS	DECAL, Caution, Electric Shock
18	190992GS	DECAL, Warning Shock
19	*	NUT, 1/4 - 20
21	*	WASHER, Shakeproof, Ext M6 1/4
22	*	HHCS, 1/4 - 20 x 3/4

Parts Not Illustrated

202882GS	HARNESS, Wire, CTL Board to Eng/Alt
198517GS	HARNESS, Wire, E1 & E2 Sensing
203020GS	HARNESS, AVR
198515GS	CONNECTOR, Terminal, 2 Pin
198516GS	CONNECTOR, Terminal, 10 Pin

* - Items without part numbers are common fasteners and are available at your local hardware store.

ALTERNATOR EXPLODED VIEW



ALTERNATOR PARTS LIST

Item	Part #	Description
1	195235GS	ADAPTER, Mounting, Alternator
2	199252GS	ASSY, Rotor
3	199254GS	STATOR
4	195234GS	RBC
5	197177GS	HEX HEAD, SEM Screw
6	66386GS	ASSY, Holder, Brush
7	66849GS	TAPTITE, M5 - 0.8 x 16
8	203200GS	WASHER, 3/8" SAE
9	200442GS	BOLT, 3/8 - 24 x 15.20"

SPECIFICATIONS

Generator

- Rated Maximum Power (LP*) . . . 20.0 kW
- Rated Maximum Load Current:
 - at 240 Volts 83.3 Amps
 - at 120 Volts 166.6 Amps
- Rated AC Voltage 120/240 Volts
- Rated Frequency 60 Hz at 3600 rpm
- Phase Single Phase
- Power Factor 1.0
- Normal Operating Range -20°F (-28.8°C) to 104°F (40°C)
- Output Sound Level 68 dB(A) at 23 ft. (7 m) at normal load
- Shipping Weight 613 lbs.

* Natural gas rating will depend on specific fuel but typical derates are between 10 to 20% off the LP gas rating.

NOTES

