



Home Generator Systems

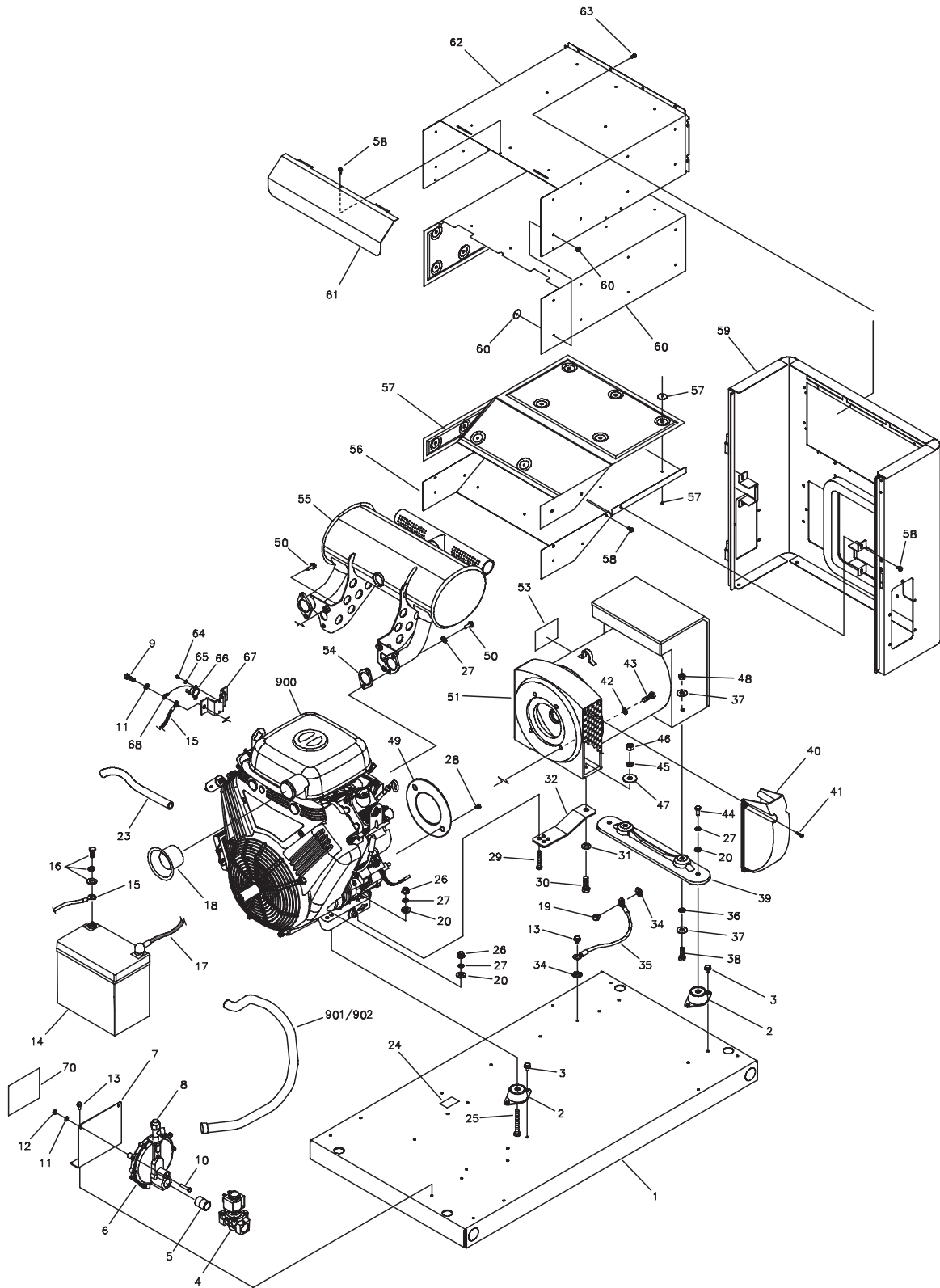
Illustrated Parts List

**Model
040234-1**

**15000 Rated Watts
Home Generator System**

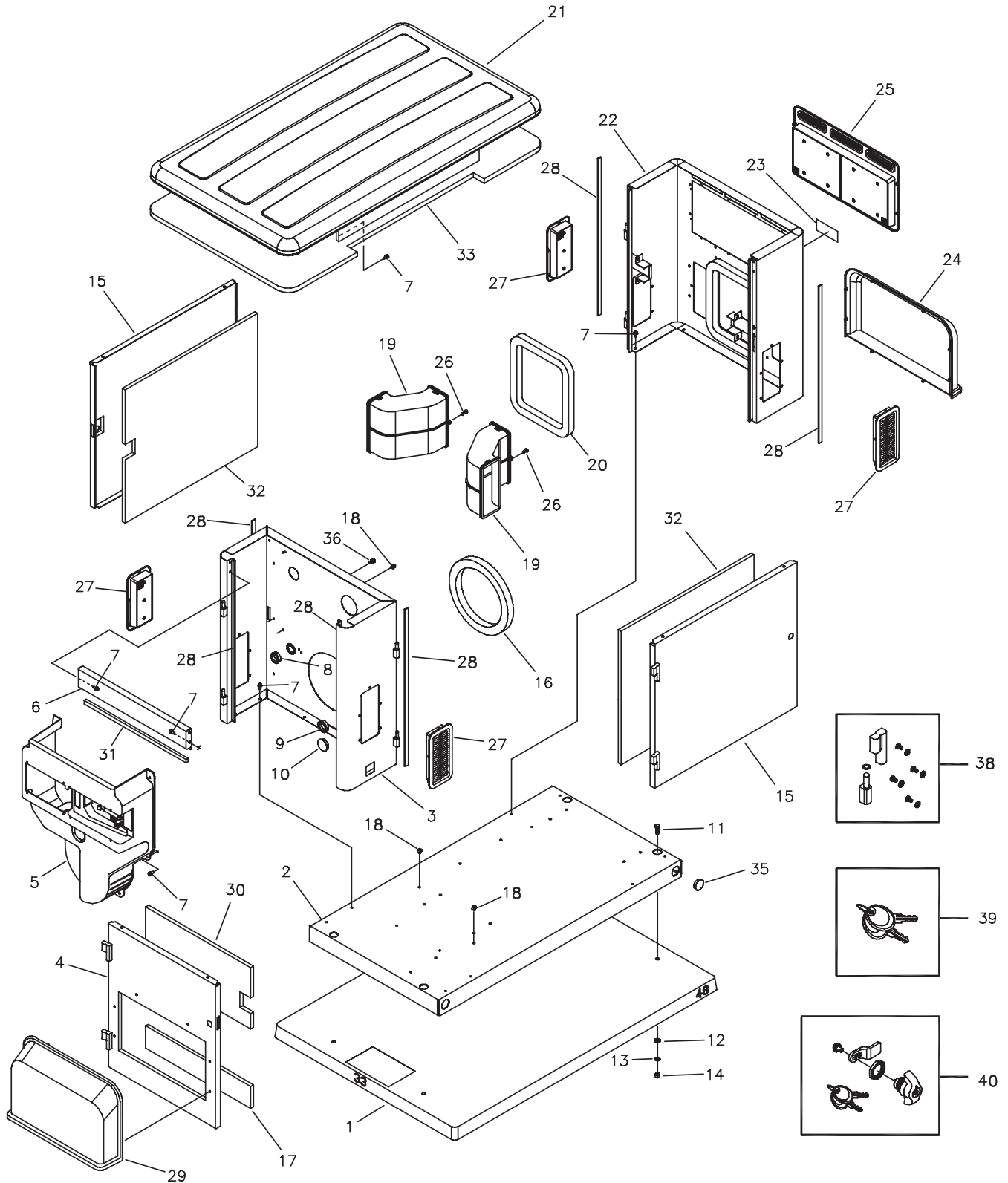
Manual No. 194689A Rev. A (03/28/2008)

Exploded View - Main Unit



Copyright © 2008 Briggs & Stratton Power Products Group, LLC. All rights reserved. No part of this material may be reproduced or transmitted in any form by any means without the express written permission of Briggs & Stratton Power Products Group, LLC.

Exploded View - Enclosure

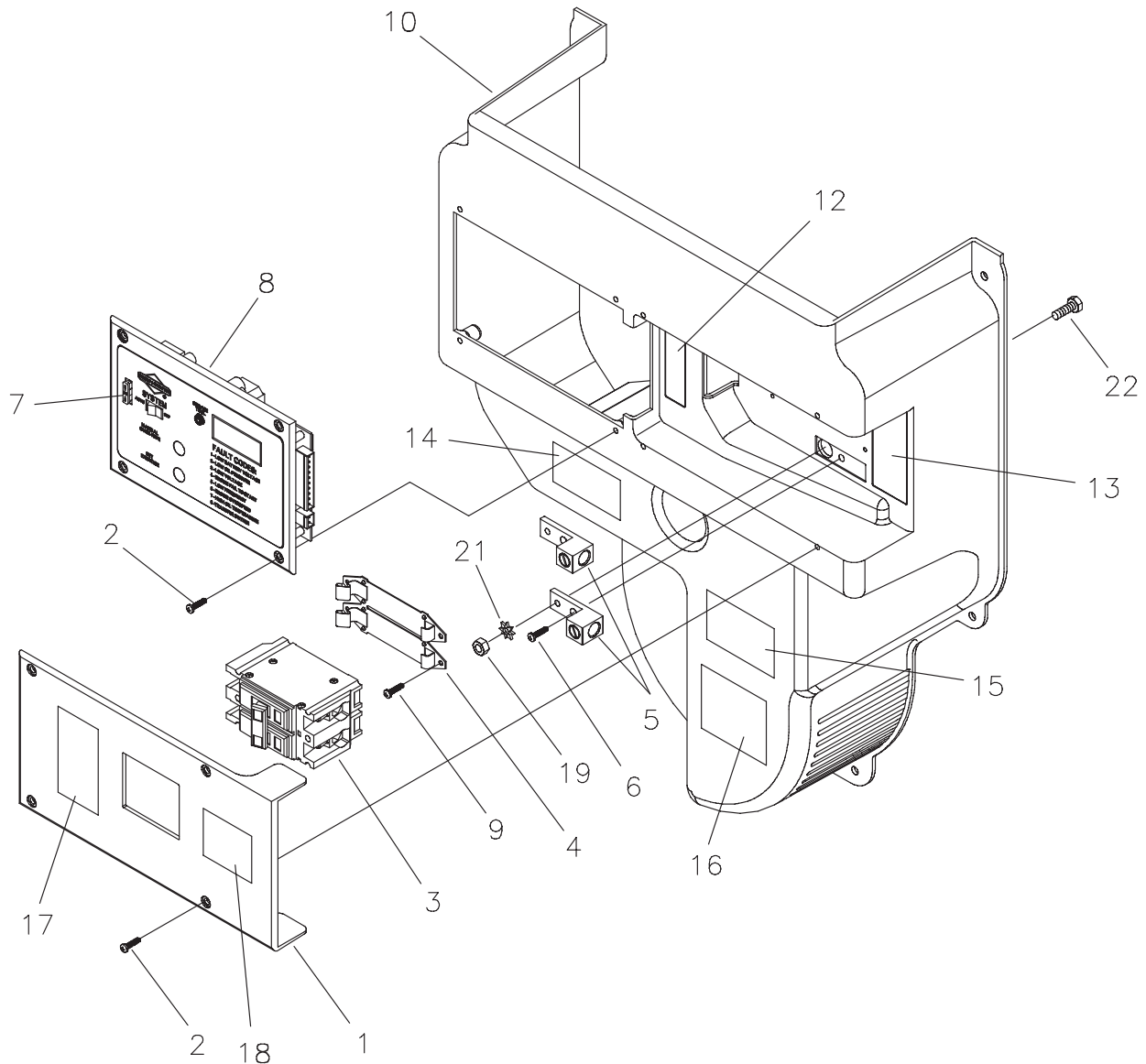


Illustrated Parts List - Enclosure

Item	Part #	Description	Item	Part #	Description
1	197275GS	PAD, Mounting w/Holes	16	194819GS	SEAL, Foam, Engine Air
2	U203030GS	BASE, Mounting	17	203303GS	INSULATION, Engine Door, Bottom
3	198991GS	ASSY, Bulkhead, Engine End	18	195733GS	MOUNT, Tie Wrap
		. Bulkhead, Engine End	19	195935GS	DUCT, Rubber Alt.
		. Decal, Fuel Inlet	20	194820GS	SEAL, Foam, Alt Inlet
		. Seal, Foam	21	198893GS	ASSY, Roof/Siderails
		. Seal, Foam Engine Air			. Weldment Roof/Siderails
		. Bushing, 1-1/2			. Insulation
		. Bushing, 1-3/8	22	198992GS	ASSY, Bulkhead, Alternator End
		. Plug, Dome 1-1/2			. Decal, Caution Hot Muffler
		. Pin, Hinges with Hardware			. Seal, Foam
4	198986GS	ASSY, Door, Engine. End			. Seal, Foam Alternator Inlet
		. Weldment, Door Eng End			. Pin, Hinges with Hardware
		. Insulation			. Bracket, Muffler
		. Barrel, Hinges with Hardware	23	200409GS	DECAL, Caution Hot Muffler
5	198910GS	ASSY, Duct, Engine Air	24	194679GS	COVER, Air Intake Alternator
		. Decals	25	198926GS	ASSY, Vent, Exhaust
		. Lug, Ground Connect w/Hardware	26	B1797GS	CLIP, Tree
		. Bracket, Mounting Breaker	27	198927GS	ASSY., Vent, Alternator
		. w/Hardware	28	198888GS	SEAL, Foam
6	198993GS	ASSY, Support, Rail	29	194694GS	COVER, Air Intake Engine
		. Support Rail Engine. End	30	203302GS	INSULATION, Engine Door, Top
		. Seal, Foam	31	197312GS	SEAL, Foam
		. Decal, Rainproof	32	196397GS	INSULATION, Front/Rear Door
7	B4300GS	HHS, Trilobular, 1/4-20 x 1/2	33	195597GS	INSULATION, Roof
8	186173GS	BUSHING, Snap, 1-3/8"	35	198460GS	PLUG, Dome
9	197493GS	BUSHING, Snap, 1-1/2"	36	192940GS	RETAINER, Hose
10	198461GS	PLUG, Dome, 1-1/2"	38	198890GS	KIT, Door, Hinge
11	*	HHCS, 3/8 - 16 x 1	39	194828GS	SET, Latch Key
12	*	WASHER, Flat, 3/8 - M10	40	198889GS	KIT, Door Latch
13	*	WASHER, Lock 3/8			
14	*	NUT, 3/8 - 16			
15	200438GS	ASSY, Door			
		. Weldment Door			
		. Insulation			
		. Barrel Hinges with Hardware			
		. Decals			

* - Items without part numbers are common fasteners and are available at local hardware stores.

Exploded View & Illustrated Parts List - Control Panel



Item	Part #	Description
1	198911GS	ASSY., Cover, Circuit Breaker w/Decals
2	*	SCREW, 10 x 0.62, Plastite
3	198313GS	BREAKER, Circuit 70A, 2P
4	192770GS	BRACKET, Mounting Breaker
5	199011GS	LUG, Ground Connect
6	191991GS	BOLT, 1/4-10 x 1, Plastite
7	198573GS	FUSE, Auto Type 15 Amp
8	196655GS	ASSY., Control Panel
9	197492GS	SCREW, PT, M4 - 1.79 x 16.0
10	198910GS	ASSY, Duct, Engine Air w/Decals
12	198549GS	DECAL, Terminal Block
13	198550GS	DECAL, Ground, Neutral
14	205393GS	DECAL, Warning, Outdoor Install
15	193297GS	DECAL, Caution, Standby
16	205392GS	DECAL, Warning, Auto Start

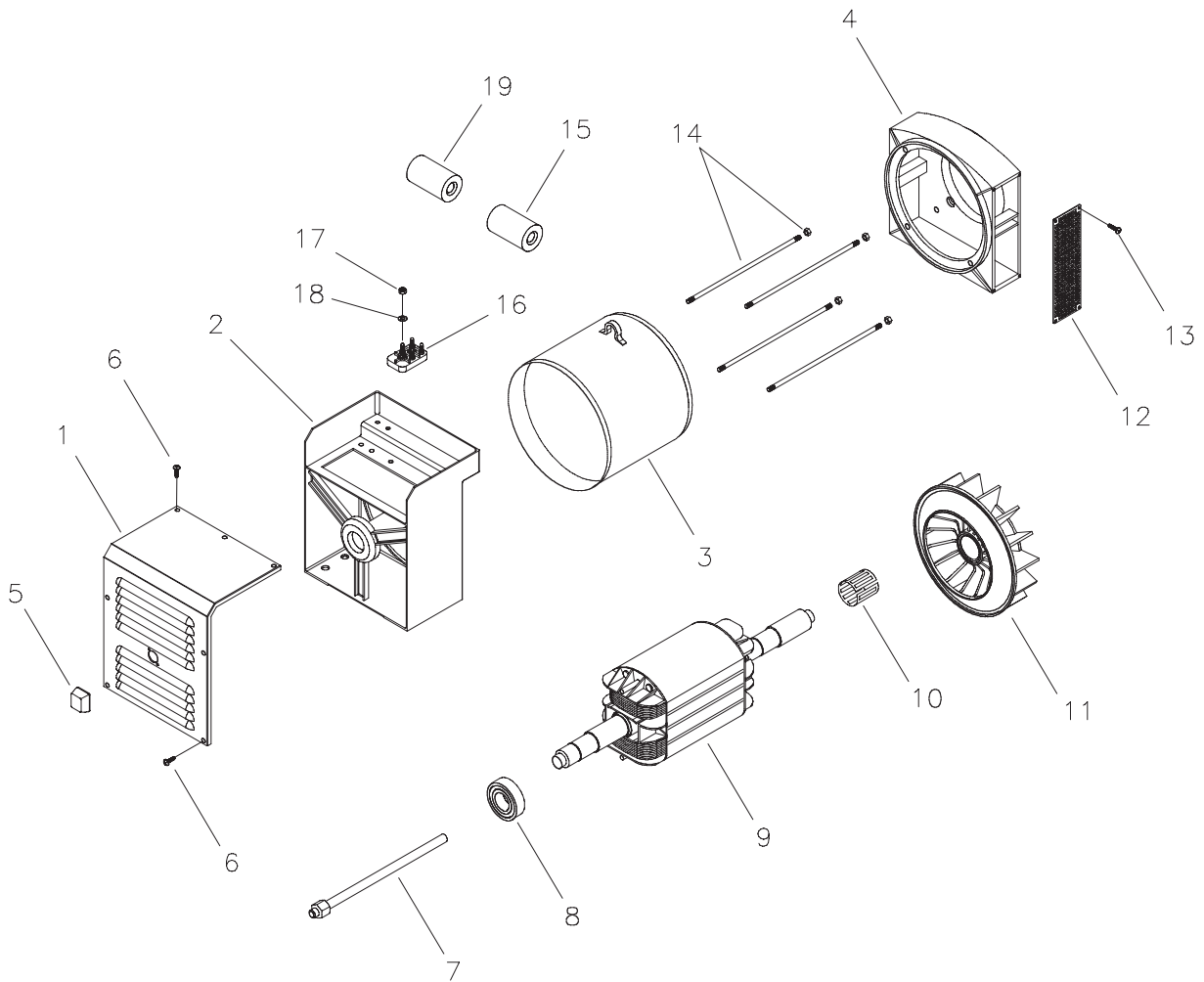
Item	Part #	Description
17	205394GS	DECAL, Caution, Electric Shock
18	205395GS	DECAL, Warning Shock
19	*	NUT, 1/4 - 20
21	*	WASHER, Shakeproof, Ext. M6 1/4
22	*	HHCS, 1/4 - 20 x 3/4

Items Not Illustrated

194825GS	HARNESS, Wire, CTL Board to Engine/Alternator
198517GS	HARNESS, Wire, E1 & E2 Sensing
198515GS	CONNECTOR, Terminal, 2 Pin
198516GS	CONNECTOR, Terminal, 10 Pin

* - Items without part numbers are common fasteners and are available at local hardware stores.

Exploded View & Illustrated Parts List - Alternator



Item	Part #	Description
1	199339GS	BOX, Terminal Lid
2	199340GS	END BRACKET, Non-drive
3	199351GS	FRAME, w/Stator
4	199349GS	BRACKET, Drive End
5	199338GS	CAP, Rubber
6	*	HHCS, M5 x 10mm
7	199341GS	SECURING STUD, Rotor
8	199342GS	BEARING, Rear
9	199343GS	ASSY, Rotor
10	199344GS	RING, Fixing
11	199345GS	FAN
12	199350GS	SCREEN, Protection
13	*	PPHMS, M5 - 0.8 x 20
14	199348GS	STAY BOLT, Cover
15	199347GS	CAPACITOR, 35
16	199346GS	TERMINAL BOARD
17	199352GS	NUT
18	199353GS	WASHER, Flat
19	206145GS	CAPACITOR, 31.5

* - Items without part numbers are common fasteners and are available at local hardware stores.