



# *ELITE Series*<sup>TM</sup>

## PORTABLE GENERATORS

### Illustrated Parts List Las Partes ilustradas Listan

Questions? Help is just a moment away!  
Preguntas? La ayuda es justa un momento lejos!

Call: **Generator Helpline**

Llame: **Línea Directa del Generador**

**1-800-743-4115** M-F 8-5 CT

web: [www.briggsandstratton.com](http://www.briggsandstratton.com)

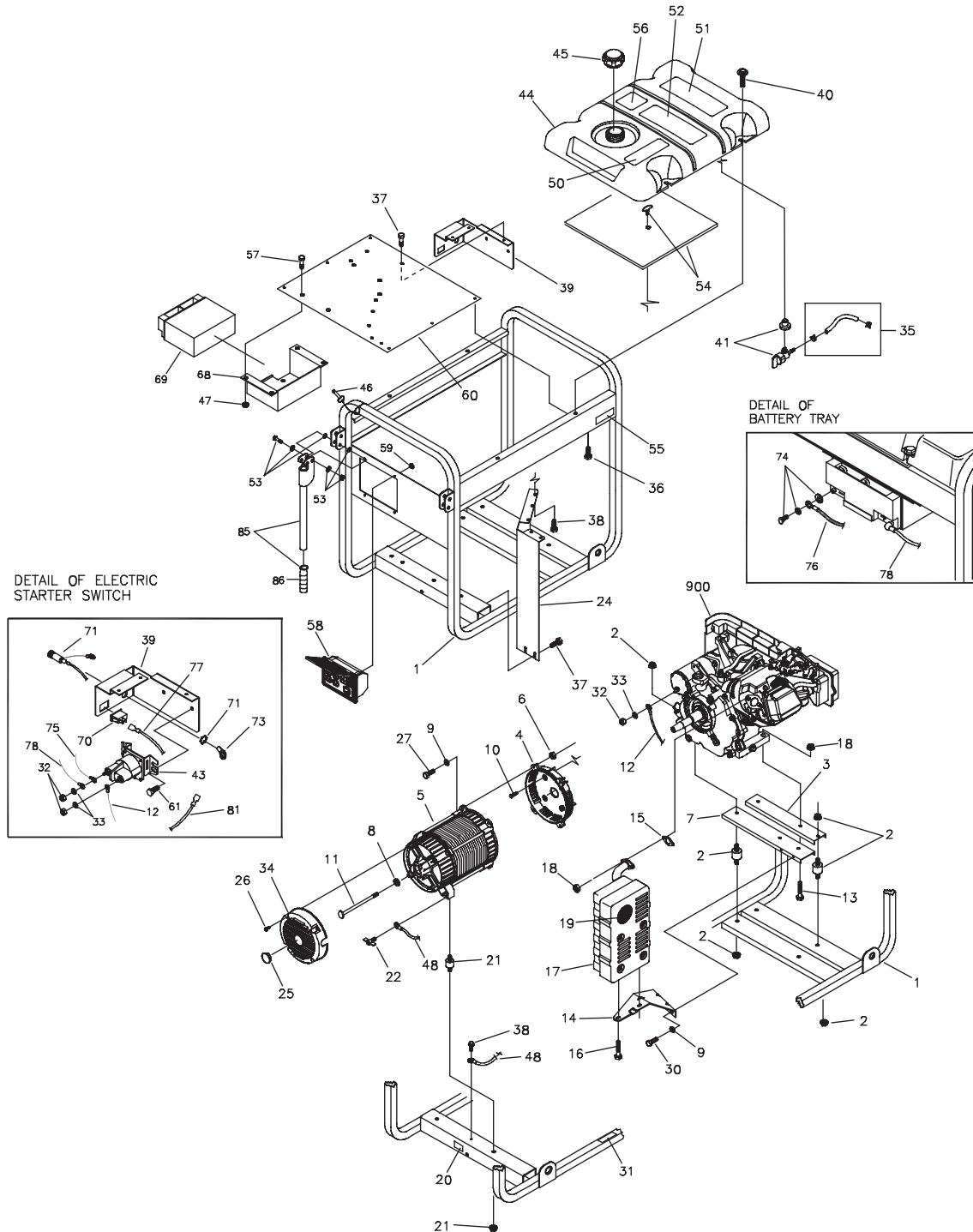
# 030385 (8000W)



**BRIGGS & STRATTON POWER PRODUCTS GROUP, LLC**  
**JEFFERSON, WISCONSIN, U.S.A.**

Manual No. 195693A  
Revision A (01/23/2008)

# EXPLODED VIEW - MAIN UNIT



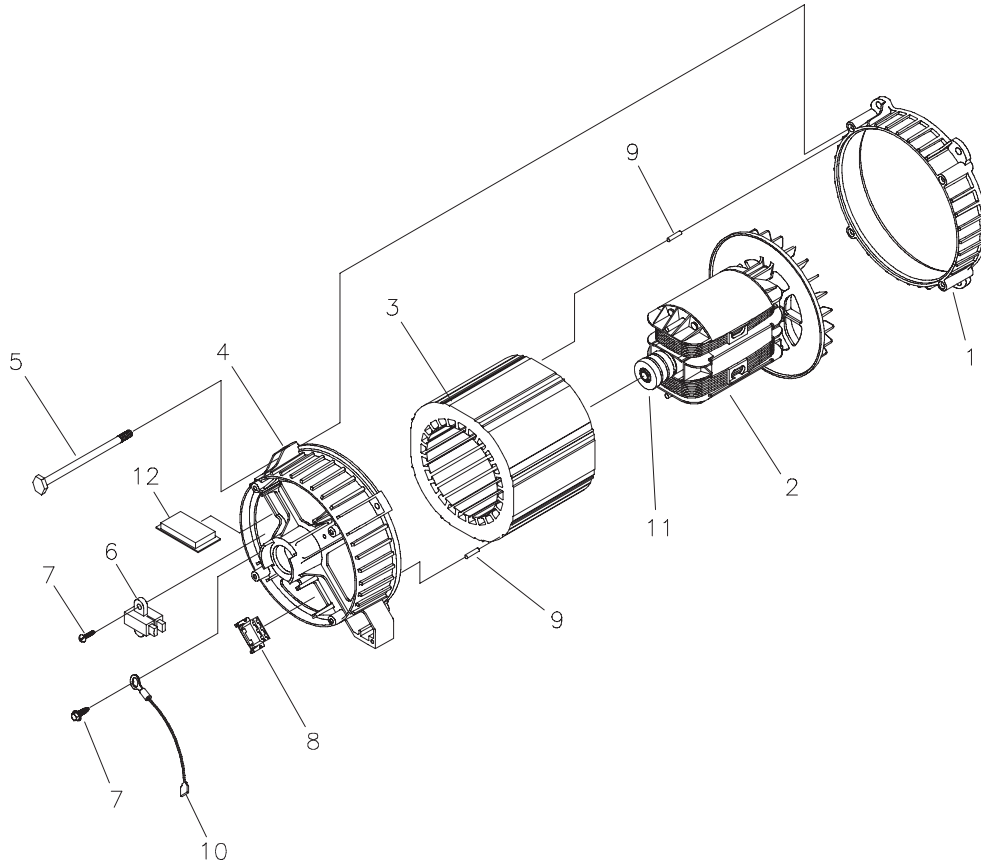
## EXPLODED VIEW - PARTS LIST

| Item | Part #    | Description                               | Item                         | Part #    | Description   |
|------|-----------|---|------------------------------|-----------|---|
| 1    | M195438GS | KIT, Cradle (Includes Items 20 & 31)      | 44                           | 194217GS  | ASSY., Tank Fuel (Includes Items 41, 50, 51, 52 & 53) |
| 2    | 196400GS  | KIT, Vibration Mount                      | 45                           | B4363GS   | CAP, Tank Fuel  |
| 3    | M92531GS  | BRACKET, Support Engine                   | 46                           | B4135GS   | PIN, Handle Release                                   |
| 4    | 190220GS  | ADAPTER, Engine                           | 47                           | 77395GS   | NUT, M6 Flange Lock                                   |
| 5    | NSP       | ASSY., Alternator (see page 4)            | 48                           | 195373GS  | WIRE, Ground  |
| 6    | *         | NUT, Hex, M8 - 1.25                       | 50                           | 188333GS  | DECAL, Instruction Fuel Level                         |
| 7    | M190723GS | BRACKET, Support Eng/Muffler              | 51                           | 194799GS  | DECAL, Danger   |
| 8    | 96796GS   | WASHER, 8.4 x 22.2 x 3                    | 52                           | 189235GS  | DECAL, Start Instructions                             |
| 9    | *         | WASHER, Lock, 5/16 - M8                   | 53                           | 194034GS  | KIT, Fold-down Handle Hardware                        |
| 10   | 190274DGS | SBHC, 3/8-16 x 7/8"                       | 54                           | 194448GS  | KIT, Insulation w/ clip                               |
| 11   | 73068GS   | HHCS, 5/16 - 24 x 8-7/8                   | 55                           | 197798GS  | DECAL, Fuel Shutoff                                   |
| 12   | 189302LGS | ASM WIRE, #16, Red                        | 56                           | 202997GS  | DECAL, Warning, CO                                    |
| 13   | *         | HHCS, M8 - 1.25 x 40                      | 57                           | *         | ASSY. Control Panel                                   |
| 14   | 92532GS   | BRACKET, Muffler                          | 59                           | 189164GS  | PALNUT, 3/16  |
| 15   | 710250    | GASKET, Exhaust                           | 60                           | 195537GS  | HEATSHEILD  |
| 16   | *         | HHCS, M6 - 1.0 x 12                       | 61                           | B4300GS   | HHS, 1/4 - 20 x 1/2, Trilobular                       |
| 17   | B4206GS   | MUFFLER                                   | 68                           | 195680GS  | TRAY, Battery   |
| 18   | 67989GS   | NUT, M8 Flange Serrated                   | 69                           | 193463GS  | BATTERY   |
| 19   | 83083GS   | SCREEN, Spark Arrest                      | 70                           | 87799GS   | SWITCH, Rocker On/Off                                 |
| 20   | B4986GS   | DECAL, Ground                             | 71                           | 196626GS  | ASSY, Jack, Coax, DC                                  |
| 21   | 195625GS  | KIT, Vibration Mount                      | 73                           | 192351GS  | LUG, 1/4, #22/18                                      |
| 22   | 86494GS   | SCREW, Wing M6 - 1.0 x 16                 | 74                           | 193347GS  | KIT, Hardware Battery                                 |
| 24   | 194390GS  | ASSY., Heat Shield                        | 75                           | 196627AGS | WIRE-A, #13, Red                                      |
| 25   | 191190GS  | CAP                                       | 76                           | 185939KGS | ASM WIRE, #55 Blk                                     |
| 26   | 74908GS   | TAPTITE, M5 - 0.8 x 10                    | 77                           | 196627BGS | WIRE-A, #13B, Red                                     |
| 27   | *         | HHCS, M8 - 1.25 x 25                      | 78                           | 189302MGS | ASM WIRE, #13 Red                                     |
| 30   | *         | HHCS, 5/16 - 18 x 3/4                     | 81                           | 196627EGS | WIRE-A, #0, Blk                                       |
| 31   | 196830GS  | DECAL, Exhaust Warning                    | 85                           | B193200GS | ASSY., Fold Down Handle                               |
| 32   | *         | NUT, 1/4 - 20                             | 86                           | 198669GS  | GRIP, Handle  |
| 33   | *         | WASHER, 1/4 Lock                          | 900                          | §         | ENGINE  |
| 34   | 195422GS  | COVER, RBC Plastic w/Cap                  | <b>Parts Not Illustrated</b> |           | MANUAL, Operator's                                    |
| 35   | 791745    | KIT, Hose, Fuel (cut to fit)              | 195693GS                     |           | BOTTLE, Oil (Qty 2 Required)                          |
| 36   | 192376GS  | SCREW, 12 - 24 x 1/2 Thread Forming       | BB3061BGS                    |           | CHARGER, Battery                                      |
| 37   | 56893GS   | CRIMPTITE, 10-24 x 1/2                    | B4177GS                      |           | HARNES, Wire, Power                                   |
| 38   | B2153GS   | SCREW, Self Driller, 12-14 x 7/8          | 194274GS                     |           | KIT, Decal Service                                    |
| 39   | B196810GS | BRACKET, Starter                          | 197112GS                     |           |   |
| 40   | 199256GS  | BOLT, Shoulder, M6-1.0, w/Neoprene Washer |                              |           |   |
| 41   | 192980GS  | VALVE, Fuel                               |                              |           |   |
| 43   | 691656    | SOLENOID                                  |                              |           |   |

\* - Items without part numbers are common fasteners and are available at your local hardware store.

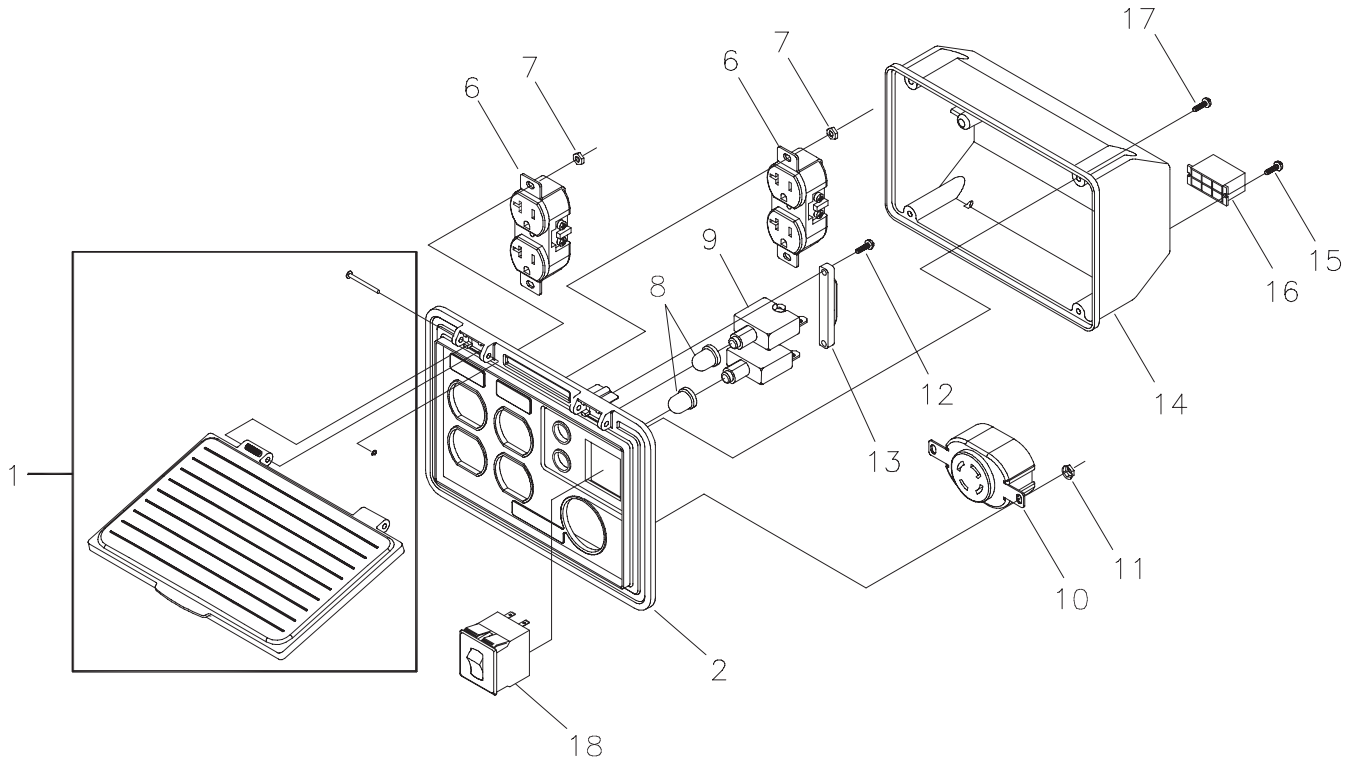
§ - Contact Engine Manufacturer

## EXPLODED VIEW AND PARTS LIST - ALTERNATOR



| Item | Part #    | Description                     |
|------|-----------|---------------------------------|
| 1    | 186059GS  | ADAPTER, Mounting, Alternator   |
| 2    | 195616GS  | ROTOR (Includes Item 11)        |
| 3    | 196706AGS | STATOR                          |
| 4    | 193336GS  | RBC, (with O-Ring p/n 189197GS) |
| 5    | 86308KGS  | HHCS, M6 - 1.0 x 140 SEMS       |
| 6    | 66386GS   | ASSY, Holder, Brush             |
| 7    | 66849GS   | TAPTITE, M5 - 0.8 x 16          |
| 8    | 22694GS   | RECEPTACLE, 6 pin               |
| 9    | 81917GS   | PIN, Roll, 4mm x 10             |
| 10   | 193428AGS | ASSY, Wire, Ground              |
| 11   | 65791GS   | BEARING                         |
| 12   | 189769GS  | BOARD, Circuit, System Control  |

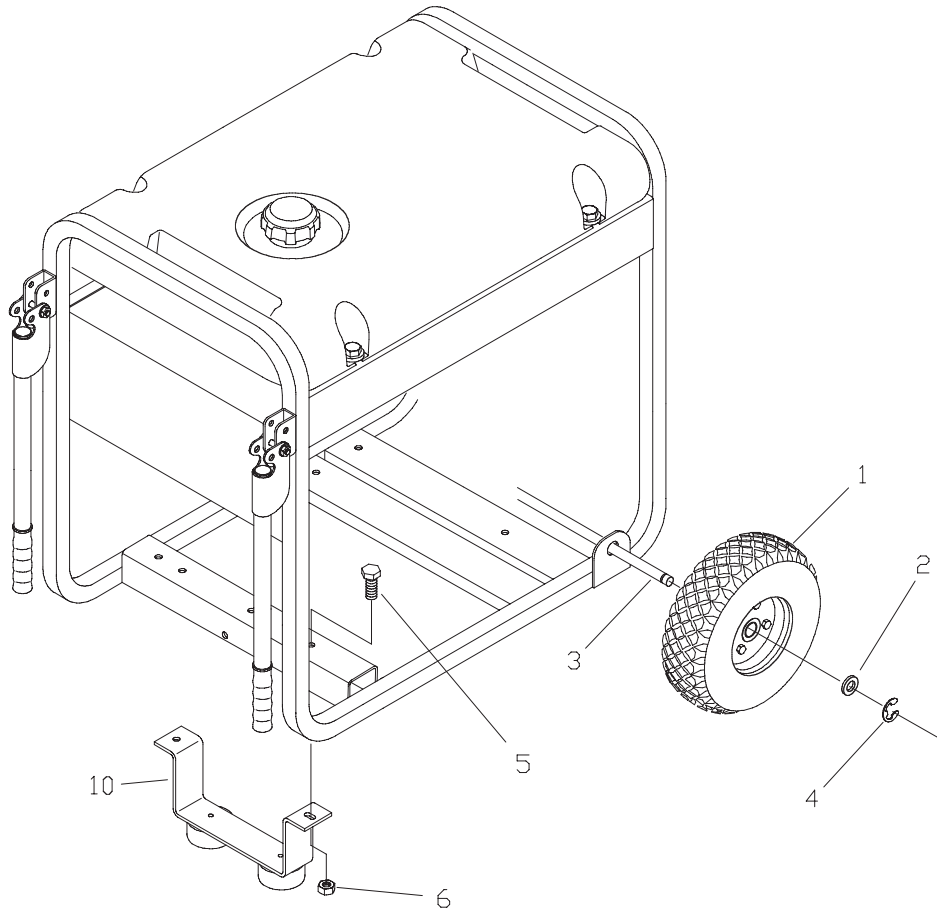
## EXPLODED VIEW AND PARTS LIST - CONTROL PANEL



| Item | Part #    | Description                  |
|------|-----------|------------------------------|
| 1    | 195112GS  | ASSY, Control Lid Panel      |
| 2    | 192273DGS | CONTROL PANEL, Compact       |
| 6    | 68759GS   | OUTLET, 120V, 20Amp, Duplex  |
| 7    | *         | NUT, Palnut, Pushnut, 5/32   |
| 8    | 84198GS   | CAP, Circuit Breaker         |
| 9    | 75207GS   | CIRCUIT BREAKER              |
| 10   | 43437GS   | OUTLET, 120/240 Locking, 30A |
| 11   | *         | NUT, Palnut, Pushnut, 3/16   |
| 12   | *         | PPHMS, 3.5 x 18              |
| 13   | 93857GS   | BAR, Retaining               |
| 14   | 192274GS  | BOX, Rear Cover              |
| 15   | 82308GS   | SCREW, Tapping, STC 3 x 18   |
| 16   | 22694GS   | HOUSING, Receptacle          |
| 17   | 192241GS  | SCREW, Tapping, 3.5 x 14     |
| 18   | 192785GS  | BREAKER, 30A                 |

\* - Items without part numbers are common fasteners and are available at your local hardware store.

## EXPLODED VIEW AND PARTS LIST - WHEEL KIT



| Item | Part #    | Description          |
|------|-----------|----------------------|
| 1    | B4966GS   | WHEEL                |
| 2    | *         | WASHER, 5/8"         |
| 3    | 191267RGS | AXLE, 5/8"           |
| 4    | 191265GS  | E-RING               |
| 5    | *         | HHCS, M8 1.25 x 20   |
| 6    | 52858GS   | NUT, M8 - 1.25, Lock |
| 10   | 195686GS  | Assy Support         |

### Parts Not Illustrated

199919GS SUBKIT, Hardware

\* - Items without part numbers are common fasteners and are available at your local hardware store.