



PORTABLE GENERATOR

Illustrated Parts List

5550 WATTS

8550 STARTING WATTS

Questions? Help is just a moment away!

Vous avez des questions? Vous n'avez pas besoin
d'aller loin pour trouver de l'aide!

Preguntas? La ayuda es justa un momento lejos!

Call: **Generator Helpline**

Appelez: **Ligne d'assistance de Générateur**

Llame: **Línea Directa del Generador**

1-800-743-4115 M-F 8-5 CT

web: BRIGGSandSTRATTON.COM

Model / Modèle / Modelo
030235-02

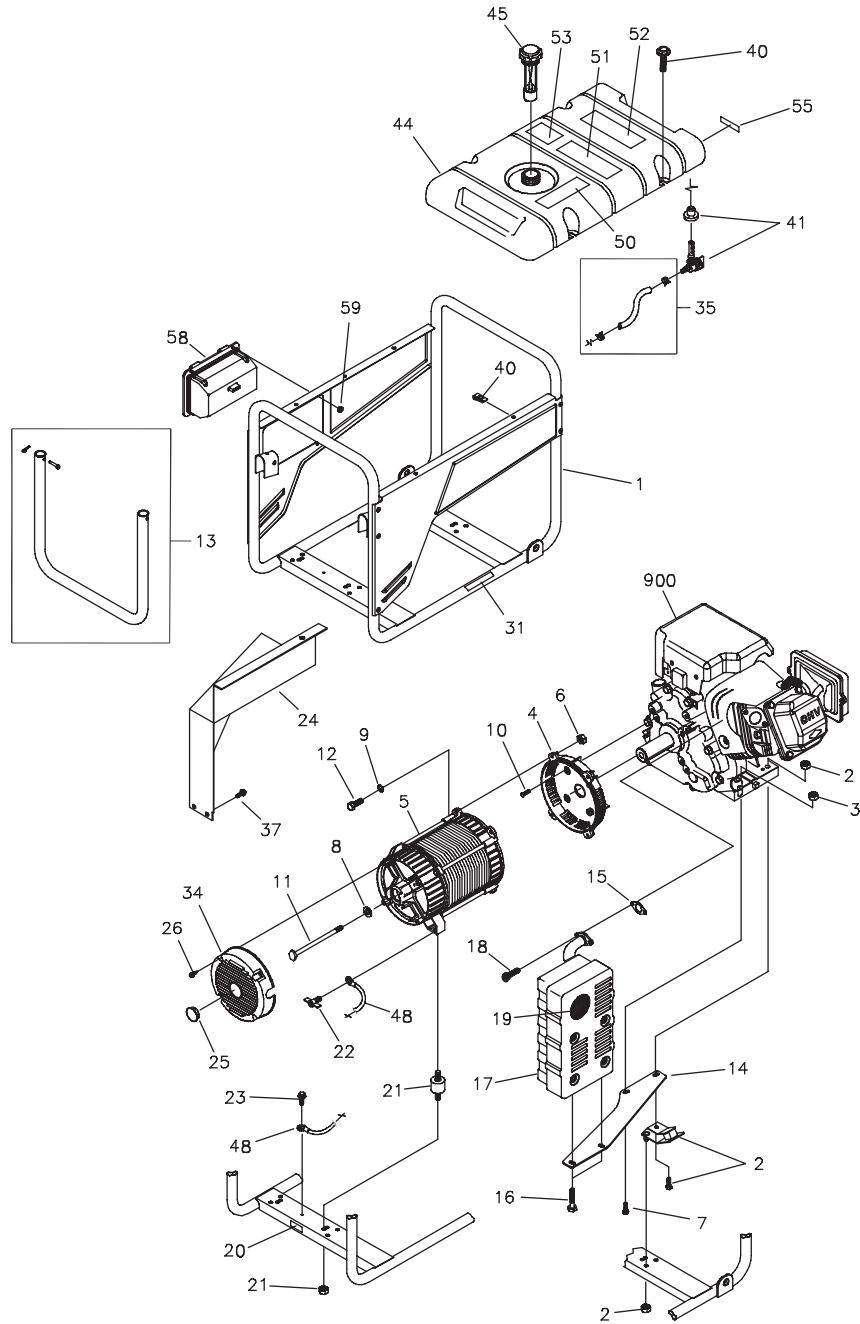


BRIGGS & STRATTON POWER PRODUCTS GROUP, LLC
JEFFERSON, WISCONSIN, U.S.A.

Manual No. 199408B
Revision A (04/21/2008)



EXPLODED VIEW - MAIN UNIT



Copyright © 2008 Briggs & Stratton Power Products Group, LLC. All rights reserved. No part of this material may be reproduced or transmitted in any form by any means without the express written permission of Briggs & Stratton Power Products Group, LLC.

EXPLODED VIEW - PARTS LIST

Item	Part #	Description	Item	Part #	Description
1	198163GS	ASSY., Cradle (Includes #20 & 31)	35	791745	KIT, Fuel Hose, w/clamps (cut to fit)
2	194150GS	KIT, Vibration, Mount, 45°	37	56893GS	CRIMPTITE, 10-24 x 1/2
3	67989GS	NUT, M8 Flange Serrated	40	199433GS	KIT, Fuel Tank Hardware w/U-Clips
4	190220GS	HOUSING, Engine Adapter		199284GS	U-CLIPS, (Optional Accessory)
5	NSP	ASSY., Alternator (see page 5)	41	192980GS	KIT, Valve, Fuel Tank
6	*	NUT, Hex M8 - 1.25	44	193668GS	ASSY., Tank, Fuel (Includes #41, 50, 51, 52, 53 & 55)
7	195398GS	TPHMS, M8 - 1.25 x 35	45	B4363GS	CAP, Fuel Gauge
8	96796GS	WASHER, M8 Flat	48	195373GS	WIRE, Ground
9	*	WASHER, Lock 5/16 - M8	50	188333GS	DECAL, Gas Fill
10	*	SBHCS, 3/8-16 x 1.0	51	194799GS	DECAL, Danger
11	47480GS	HHCS, 5/16-24 x 7	52	189235GS	DECAL, Start Instructions
12	*	HHCS, M8 - 1.25 x 25	53	202997GS	DECAL, Warning, CO
13	198165GS	KIT, Handle	55	197798GS	DECAL, Shut-Off, Fuel
14	189009GS	BRACKET, Muffler	58	197641GS	ASSY., Control Panel
15	695398	GASKET, Exhaust	59	*	NUT, Palnut, 3/16"
16	*	HHCS, M6 - 1.0 x 12 w/LW	900	§	ENGINE
17	189008GS	MUFFLER			
18	201522GS	SHCS, 5/16 - 18 x 7/8"			
19	83083GS	SCREEN, Spark Arrest			
20	B4986GS	DECAL, Ground, Green			
21	194153GS	KIT, Vibration Mount			
22	86494GS	SCREW, Wing M6 - 1.0 x 16			
23	B2153GS	SCREW, 12 - 14 x 7/8, Self Drill			
24	197424GS	SHIELD, Heat			
25	191190GS	CAP			
26	74908GS	SCREW, M5-0.8 x 10, Taptite			
31	196830GS	DECAL, Exhaust Warning			
34	195422GS	COVER, RBC, Plastic w/Cap			

Parts Not Illustrated

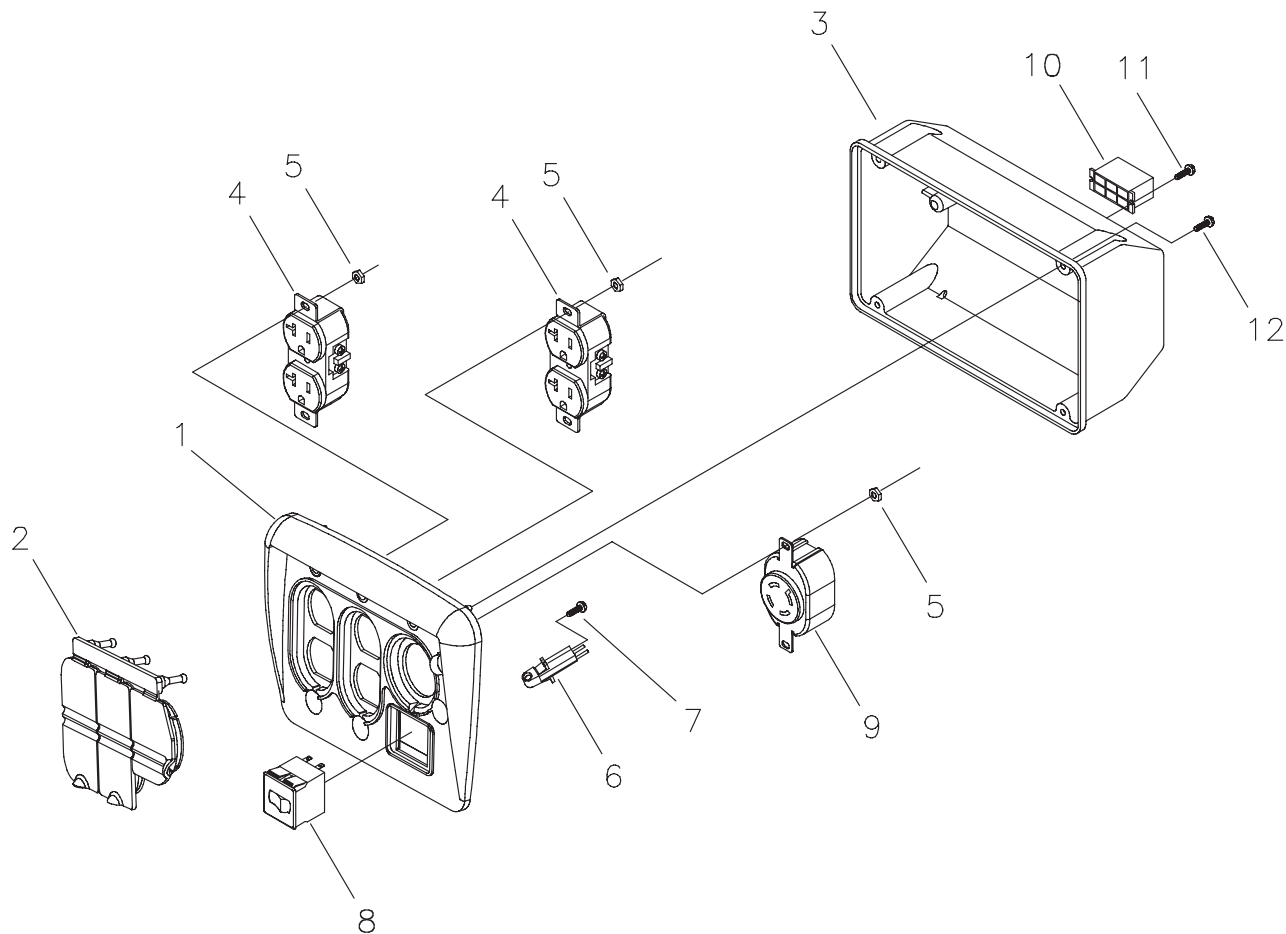
200907GS	MANUAL, Operator's
BB3061GS	BOTTLE, Oil
197474GS	CORDSET, Storm
198166GS	KIT, Decals

* - Items without part numbers are common fasteners and are available at your local hardware store.

§ - Contact Engine Manufacturer

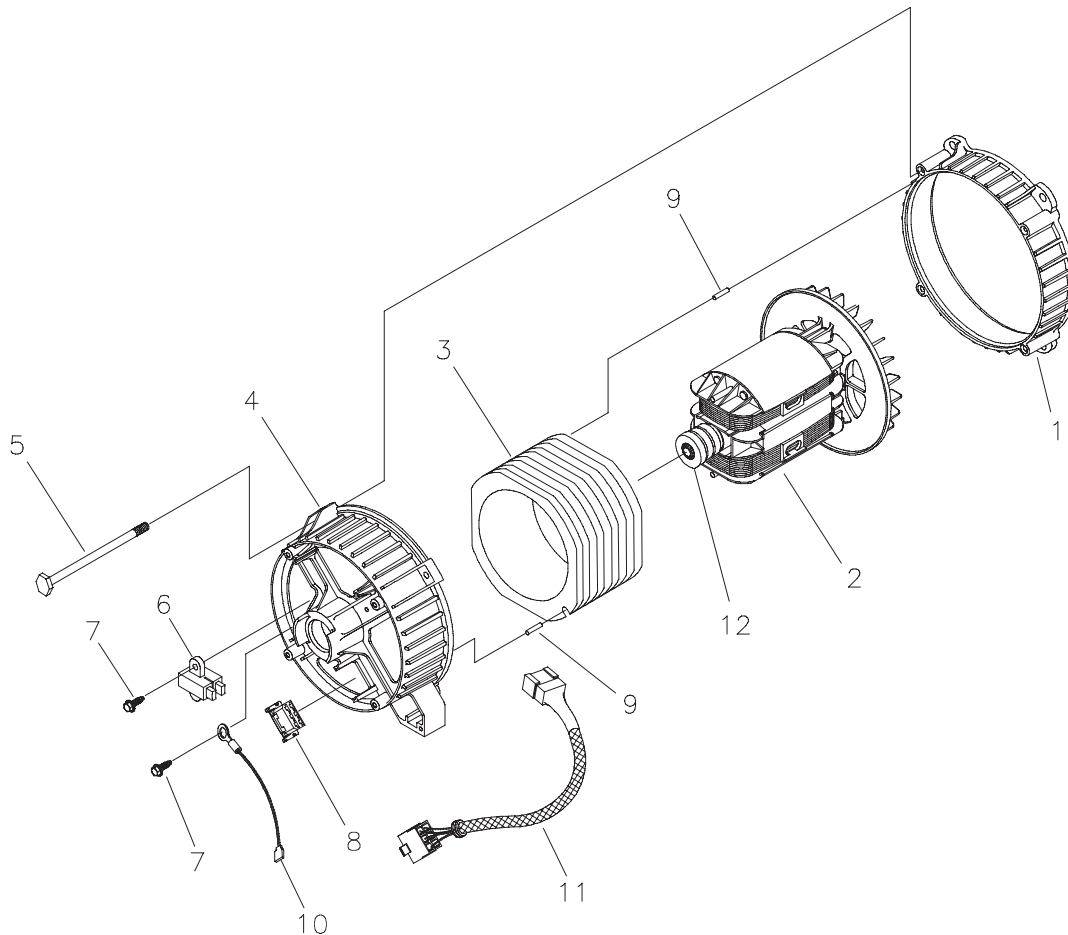


EXPLODED VIEW AND PARTS LIST - CONTROL PANEL



Item	Part #	Description
1	197471GS	PANEL, Control
2	197472GS	COVER, Outlet Flip
3	188890GS	COVER, Back Panel
4	197731GS	OUTLET, 120V, 15/20A Duplex
5	189165GS	NUT, 5/32 Pal
6	197729GS	MODULE, Led
7	197958GS	SCREW, 3 x 6, Tapping
8	191479DGS	BREAKER, Circuit, 20A
	191481GS	BOOT, Breaker Circuit (not shown)
9	43437GS	OUTLET, 120/240V, 30A
10	22694GS	HOUSING, Receptacle, 6 Pin
11	82308GS	SCREW, 3 x 18, Tapping
12	192241GS	SCREW, 3.5 x 14, Tapping

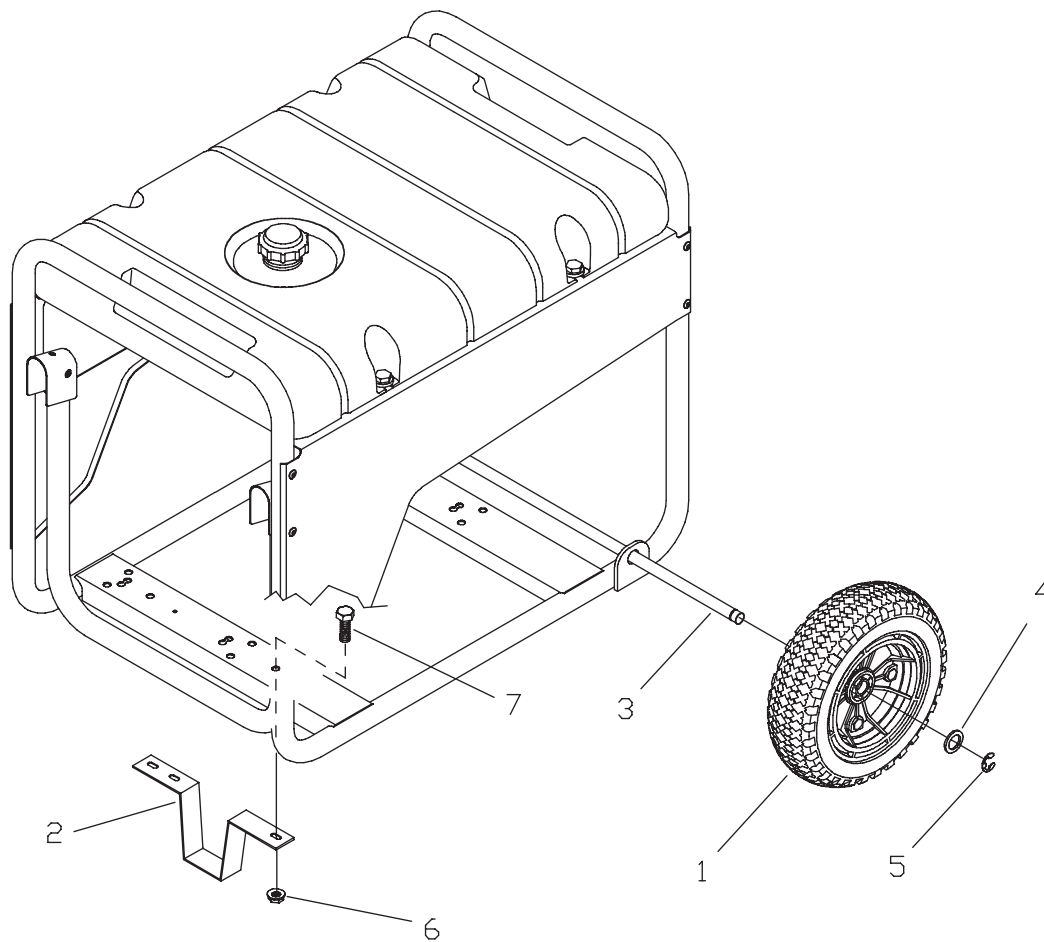
EXPLODED VIEW AND PARTS LIST - ALTERNATOR



Item	Part #	Description
1	186059GS	ADAPTER, Mounting, Alternator
2	191043GS	ASSY., Rotor (Includes Item 12)
3	191042AGS	STATOR
4	186060GS	RBC, with O-Ring (p/n 189197GS)
5	86308CGS	HHCS, M6 - 1.0 x 130 SEMS
6	91825GS	ASSEMBLY, Holder, Rectifier/Brush
7	66849GS	TAPTITE, M5 - 0.8 x 16
8	22694GS	RECEPTACLE, 6 pin
9	81917GS	PIN, Roll, 4mm x 10
10	193428AGS	WIRE-A, Ground
11	194274GS	HARNESS, Wire, Power
12	65791GS	BEARING



EXPLODED VIEW AND PARTS LIST - WHEEL KIT



Item	Part #	Description
1	196517GS	WHEEL
2	B1764GS	SUPPORT, Wheel Kit
3	191267HGS	AXLE
4	*	WASHER, 5/8"
5	191265GS	E-RING
6	67989GS	NUT, M8 - Flange Serrated
7	*	HHCS, M8 - 1.25 x 16

Parts Not Illustrated
197594GS SUBKIT, Hardware

* - Items without part numbers are common fasteners and are available at your local hardware store.