

# PowerBOSS™

## PORTABLE GENERATOR

**Model / Modelo**

**030227  
(6500W)**

### **Illustrated Parts List**

Questions? Help is just a moment away!

Preguntas? La ayuda es justa un momento lejos!

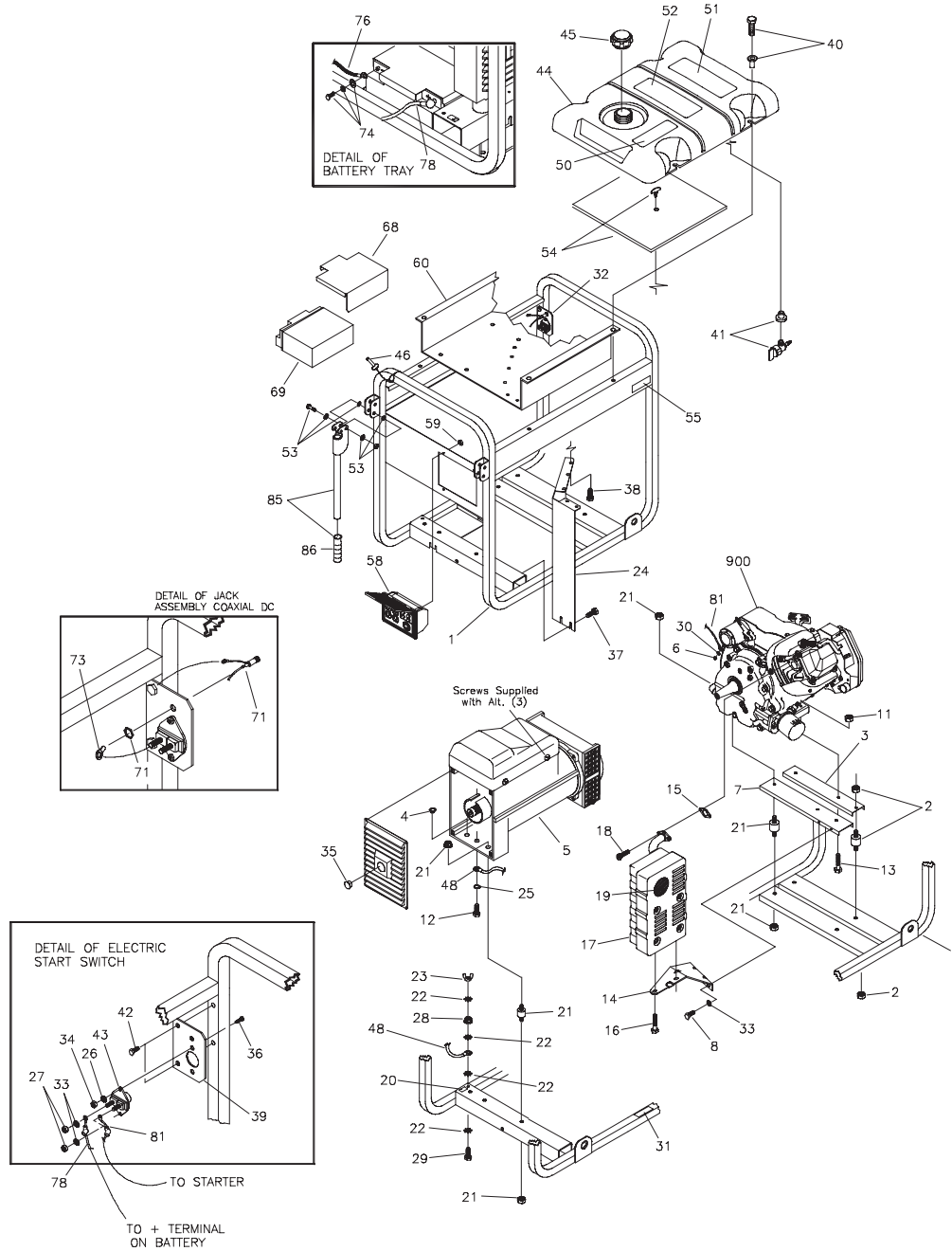
Call: Generator Helpline / Llamada: Generador Helpline

1-800-743-4115 M-F 8-5 CT

PowerBOSS™ is a trademark of Briggs & Stratton Power Products.  
PowerBOSS™ es una marca registrada de Briggs & Stratton Power Products.

**BRIGGS & STRATTON POWER PRODUCTS GROUP, LLC**  
**JEFFERSON, WISCONSIN, U.S.A.**

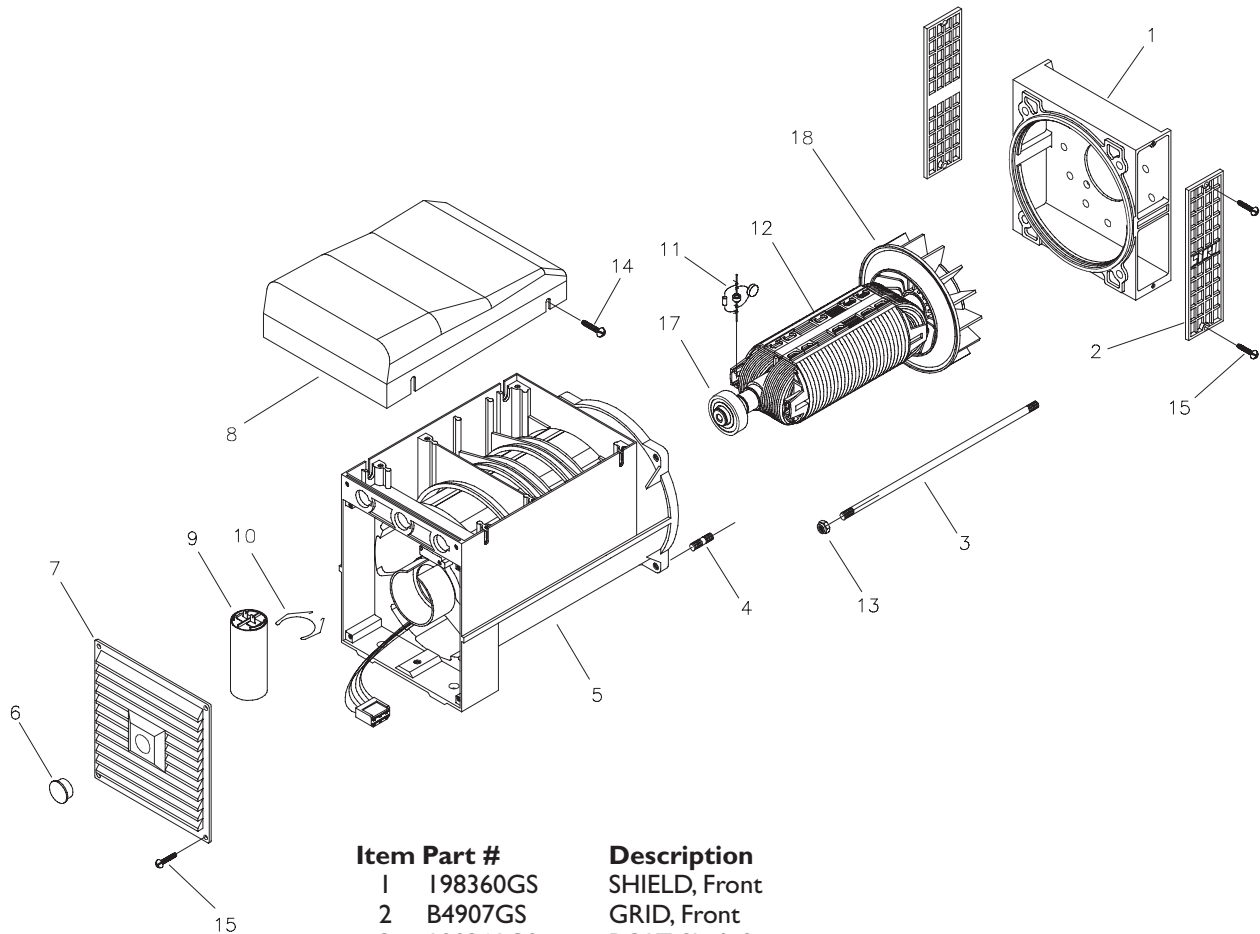
# EXPLODED VIEW - MAIN UNIT



Copyright © 2006 Briggs & Stratton Power Products Group, LLC. All rights reserved. No part of this material may be reproduced or transmitted in any form by any means without the express written permission of Briggs & Stratton Power Products Group, LLC.



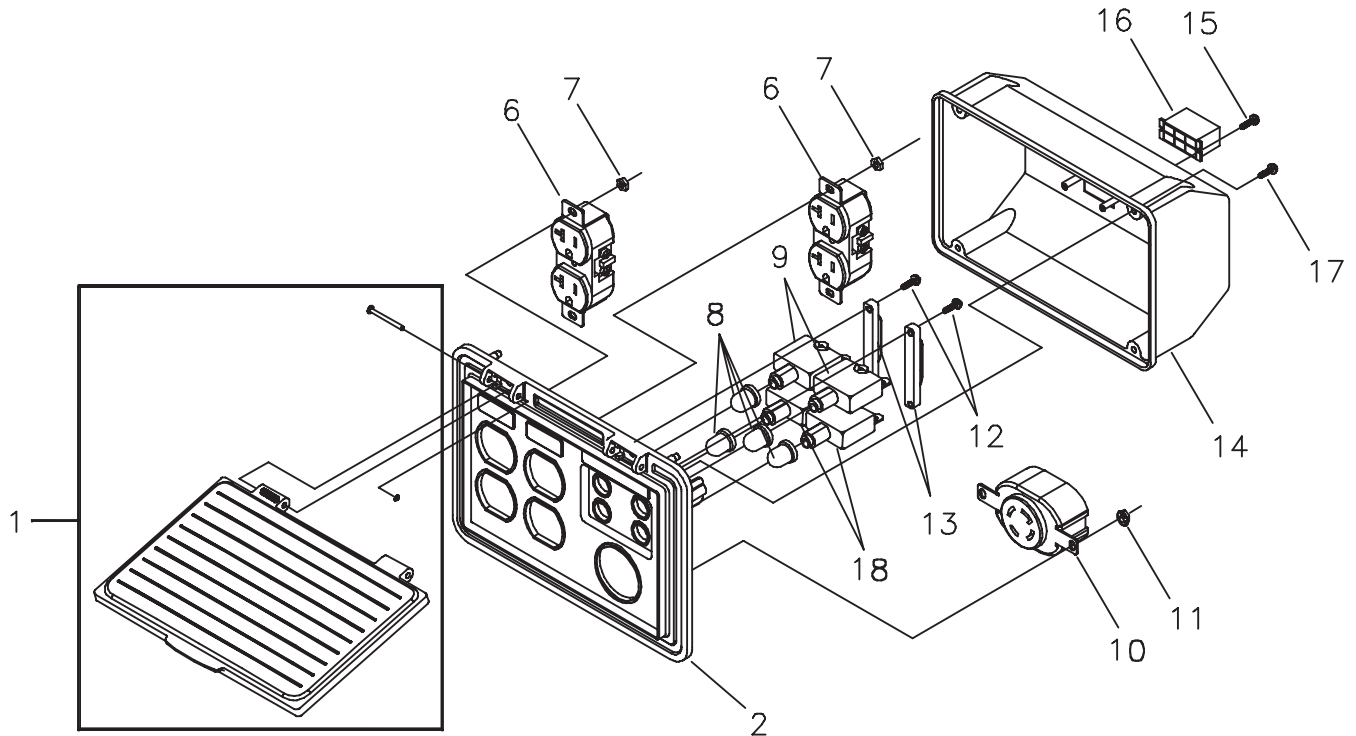
# EXPLODED VIEW AND PARTS LIST - ALTERNATOR



Item	Part #	Description
1	198360GS	SHIELD, Front
2	B4907GS	GRID, Front
3	198361GS	BOLT, Shaft Stay
4	B4909GS	BOLT, Stay M8 x 30
5	197707GS	HOUSING
6	187049GS	PLUG, Domed
7	B4912GS	GRID, End
8	198362GS	COVER, Top Black
9	197708GS	CAPACITOR
10	197709GS	SPRING, Capacitor Block
11	B4916GS	DIODE + Varistor + EMC Capacitor
12	198363GS	ASSY, Rotor
13	49820GS	NUT, Lock, M8 - 1.25
14	*	SCREW, M6 - 1.0 x 10mm
15	*	SCREW, M5 - 0.8 x 10mm
17	197705GS	BEARING
18	197706GS	FAN

\* - Items without part numbers are common fasteners and are available at your local hardware store.

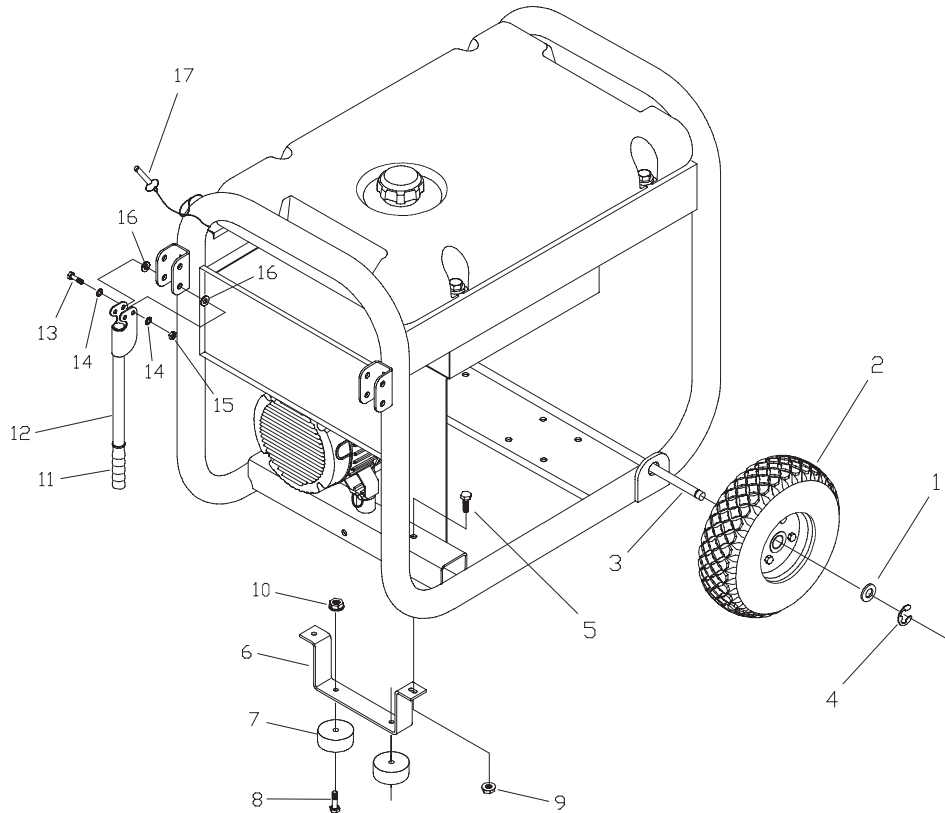
## EXPLODED VIEW AND PARTS LIST - CONTROL PANEL



Item	Part #	Description
1	195112GS	KIT, Control Panel Lid
2	191450GS	CONTROL PANEL, Compact
6	68759GS	OUTLET, 120V, 20A, Duplex
7	*	NUT, Palnut, 5/32
8	84198GS	CAP, Breaker, Circuit
9	75207AGS	BREAKER, Circuit, 30A
10	43437GS	OUTLET, 120/240V Locking, 30A
11	*	NUT, Palnut, 3/16
12	*	PPPHS, M3- 0.5 x 18
13	93857GS	BAR, Retaining
14	188890GS	COVER, Back, Control Panel
15	82308GS	SCREW, Tapping, STC 3 x 18
16	22694GS	HOUSING, Receptacle
17	192241GS	SCREW, Tapping, 3.5 x 14
18	75207PGS	BREAKER, Circuit, 25A

\* - Items without part numbers are common fasteners and are available at your local hardware store.

## EXPLODED VIEW AND PARTS LIST - WHEEL KIT



Item	Part #	Description
1	*	WASHER
2	B4966GS	WHEEL
3	191267KGS	AXLE, 5/8" x 24.80"
4	191265GS	E-RING
5	*	HHCS, M8 - 1.25 x 20 Lg.
6	200543GS	BRACKET, Support, Unit
7	87841GS	MOUNT, Vibe Donut Type
8	*	HHCS, 1/4 - 20 x 3/4 Lg.
9	67989GS	NUT, M8 Flange Serrated
10	194005GS	NUT, 1/4 - 20 Flange Nylok
11	198669GS	GRIP, Handle
12	B193200GS	ASSY, Handle (Includes Item 11)
13	*	HHCS, M8 - 1.25 x 45Lg
14	*	WASHER, Flat, 5/16 - M8
15	*	NUT, M8 Nylok
16	*	WASHER, Nylon
17	B4135GS	PIN, with Lanyard

\* - Items without part numbers are common fasteners and are available at your local hardware store.