

OPERATOR'S MANUAL  
FOR YOUR

# BALDOR<sup>®</sup> GENERATORS

PREMIER POW'R PRODUCTS  
GENERATORS

OHV Series 3KW-9KW



**BALDOR GENERATORS**  
3815 Oregon. Street • Oshkosh WI 54902  
Telephone 236-4200 • Fax 920-236-4219

## FORWARD

This manual contains the information you need to safely and efficiently operate your generator set. During the preparation of this manual every effort was made to ensure the accuracy of its contents.

**DO NOT OPERATE THIS GENERATOR SET UNTIL YOU CAREFULLY READ THIS MANUAL AND UNDERSTAND THE SAFETY WARNINGS AND INSTRUCTIONS CONTAINED IN IT.** While safety is built into every Baldor Pow'R Gard generator set, careless or improper operation could possibly result in mechanical failure, property damage, severe injury or even death.

Note that this manual covers only very basic information in regards to the engine. A separate owner's manual for the engine is supplied with this unit for your use. Please refer to this manual for information relative to engine operation, maintenance, recommendations and additional safety warnings.

As soon as you receive your generator set, inspect it closely for shipping damage. If you find some damage, notify the transportation company immediately and file a freight damage claim.

Think of this manual as a tool to help you get the most out of your generator set. **WE STRONGLY SUGGEST THAT YOU KEEP THIS MANUAL WITH YOUR GENERATOR SET AND MAKE IT AVAILABLE TO ANYONE USING THE GENERATOR SET.** You should refer to the manual when questions arise in regards to the operation of the generator set and carefully observe all safety warnings and instructions contained in it.

Baldor Generators, formerly Pow'R Gard Generator Corporation has been in business since 1965. The generator sets we manufacture have earned the reputation of being of high quality and a dependable product. We take pride in this fact and continue to keep our quality standards high on our list of priorities. We are also constantly researching new technological ideas to determine if they could be used to make our generator sets even better.

Thank you for purchasing your Baldor Pow'R Gard Generator Set.



**Improper Maintenance or Repair Can Result in Property Damage, Mechanical Failure, Severe Injury or Death!**

- ◆ Place protective covers and guards over the rotating parts, if rotating parts such as the drive shaft, pulley, belt, etc. are left exposed, they are potentially hazardous.
- ◆ When cleaning, repairing or inspecting, make sure all moving parts have stopped.
- ◆ Prior to working on the generator set, disconnect the spark plug and battery to prevent accidental starting.
- ◆ Use only original equipment or authorized replacement parts. Use of correct parts will assure the operator of the safety integrity that was designed into the unit.
- ◆ Unauthorized modifications to the generator set may impair the function and/or safety of the unit.
- ◆ Do not operate the generator set without a muffler. Inspect periodically and replace if necessary.
- ◆ Do not touch the hot exhaust components or the high voltage spark plug and coil terminals. While Spark Plug Voltages are not normally lethal, an involuntary jerk of the hand caused by a hot surface or by an electrical shock can result in injury.
- ◆ Repair of electrical generating equipment requires specialized skills. Repair personnel must have a thorough understanding of generator and small engine repair procedures.



**Exhaust Fumes/Gases Are Extremely Dangerous And Can Cause Illness Or Death.**

- ◆ Never inhale exhaust gases. They contain carbon monoxide; a colorless, odorless and extremely dangerous gas that can cause unconsciousness or death. Symptoms of carbon monoxide poisoning can include: dizziness, nausea, headaches, sleepiness, vomiting or incoherency. If you or anyone else experiences any of these symptoms, get out into the fresh air immediately. Shut the unit down and do not operate it until it has been inspected and, if necessary, repaired.
- ◆ Never Operate the generator set indoors or in a poorly ventilated area such as a tunnel or cave.
- ◆ CALIFORNIA PROPOSITION 65 WARNING: engine exhaust from this product contains chemicals known to the state of California to cause cancer, birth defects or other reproductive harm.



**Improper Operation Can Result In Property Damage, Mechanical Failure, Severe Injury Or Death.**

- ◆ Know how to stop the engine quickly and understand the operation of all controls.
- ◆ Never permit anyone to operate the generator set without proper instructions.
- ◆ Never allow children to operate the generator set.
- ◆ Children and pets must be kept away from the area of operation due to the possibility of burns from hot engine components or injury from any equipment the generator set is powering.
- ◆ Always wear eye protection and Hearing protection when working near the generator set.
- ◆ Operate the generator set only with the guards, shields and other safety items in place and working properly.
- ◆ Do not put hands, feet, tools or other objects near rotating parts.
- ◆ Use reasonable care when moving or lifting the unit. The generator set may move around inside the wrap frame creating "Pinch Points".
- ◆ Do not run the generator set while it is being moved.
- ◆ Do not support the generator set from the top of the wrap frame.
- ◆ Do not operate the generator set while under the influence of alcohol, drugs or medication.
- ◆ When transporting or using a generator set with the wheel option, secure the unit to prevent it from moving around.
- ◆ Do not tamper with or change the engine speed as it has been preset at the factory for proper operation.
- ◆ Keep hands and face away from the carburetor when the air cleaner is being moved. A sudden backfire can cause serious burns.
- ◆ Be careful of hot parts. The muffler and other generator parts become very hot while the engine is running.
- ◆ Do not "jump start" the generator set.
- ◆ Sulfuric acid can cause severe injury and can give off gases, which are corrosive and potentially explosive. Avoid contact with skin, eyes, and clothing. In case of contact, flush area immediately with water.
- ◆ When transporting a generator set, secure it to prevent it from moving or shifting.





**This Generator Set Produces Electricity And With That There Is The Potential Danger For Electrocution.**

- ◆ Know how to stop the engine quickly and understand the operation of all controls.
- ◆ Do not operate electrical equipment while standing in water, on wet ground or with wet hands or shoes.
- ◆ Use extreme caution when working on electrical components. Potentially dangerous voltage is present when the engine is running.

- ◆ Always treat the electrical circuits as if they were energized.
- ◆ Disconnect all leads plugged into the unit Prior to working on it.
- ◆ Have the electrical circuits serviced only by qualified technicians.
- ◆ Inspect wiring frequently and replace frayed, broken or poor leads.
- ◆ Do not connect this unit to any building's electrical system unless you utilize an approved transfer switch or the main service entrance switch has been disconnected and locked open.
- ◆ Circuit overload protection must be provided in accordance with national electrical codes and local regulations.
- ◆ Check GFCI Receptacles monthly by using the "Test" and "Reset" buttons designed into them.
- ◆ Depending on your application it may be mandatory to ground or not ground this unit to earth ground. Comply with local electrical codes.

○ ○ ○ ○ **FOR GASOLINE OR DIESEL POWERED GENERATOR SETS** ○ ○ ○ ○

 <b>WARNING</b> 	<b>Gasoline And Diesel Fuel Are Flammable And Can Cause Explosions, Fire, Injury Or Death!</b>
--	--

- ◆ Operate the generator set on a level surface. If the generator set is tilted, fuel spillage may result.
- ◆ Handle fuel with care. It is highly flammable. Use only clean, properly marked and approved safety containers for refueling and storing fuel.
- ◆ Stop the engine and allow it to cool before refueling.
- ◆ Do not overfill the fuel tank. Only fill the tank to within 1/2" of the top of the tank to allow space for fuel expansion.
- ◆ If fuel is spilled, wipe it up carefully and wait until the fuel has dried before starting the engine.
- ◆ Make sure the fuel cap is properly closed after refueling.
- ◆ Never operate the generator set while smoking.
- ◆ Never operate the generator set near an open flame.
- ◆ Never store the generator set with fuel in the tank indoors or in an enclosed, poorly ventilated enclosure where fuel fumes may reach an open flame, electrical spark or pilot light as on a furnace, water heater, clothes dryer, etc.
- ◆ When transporting over long distances or rough roads, drain the fuel tank to prevent leakage and spillage.



**Gaseous Fuels are Highly Combustible and can Cause Explosions, Fire, Injury or Death!**

○ ○ ○ ○ **FOR GASOLINE OR DIESEL POWERED GENERATOR SETS** ○ ○ ○ ○

- ◆ Check all fuel supply piping and their connections on a monthly basis for fuel leaks.
- ◆ Use only approved piping and componentry in your fuel supply system.
- ◆ A professional, experienced technician should only install the fuel supply system.
- ◆ Do not run the fuel line up against any sharp objects.
- ◆ Comply with NFPA regulations and your local codes in regard to shut-off valves, regulators, etc. and any other recommendations or requirements they may have.



**This Generator Set Creates A Significant Amount Of Heat And If Not Handled Properly, Can Become A Substantial Fire Hazard.**

- ◆ Keep the generator set at least three feet away from buildings or other structures.
- ◆ Keep the generator set away from flammable and other hazardous materials (trash, rags, lubricants, explosives, paints, etc.)
- ◆ Keep the generator set free of grass, leaves and excessive grease and oils.
- ◆ Allow the generator set to cool before transporting it or storing it indoors.
- ◆ Have fire extinguisher accessible and nearby while operating the generator set.
- ◆ This generator set must not be used on or near any forest covered brush covered or grass covered land unless the engine's exhaust system is equipped with a spark arrester and it must be maintained in effective working order by the operator.
- ◆ Operation inside an enclosed compartment or building is a potential fire hazard and should not be done unless approval is obtained from Baldor Generators. Engine/Generator overheating can cause severe damage due to restricted, obstructed or improper air-flow that is necessary for the proper cooling of the unit.
- ◆ Hot exhaust gases being discharged by the engine must never be directed toward anything that could catch fire or explode.

# TABLE OF CONTENTS

<b><u>SECTION</u></b>	<b><u>PAGE</u></b>
Basic Location Information.....	1
Basic Connection Information.....	2
Basic Engine Information.....	3
Generator End Maintenance.....	4
Basic Engine Maintenance.....	5
Storage Instructions.....	6
Electric Motor Loads.....	7
Parts & Service Information.....	8
Operation.....	9
Simple Electrical Troubleshooting.....	11
Control Panel Information for OHV30.....	13
Control Panel Information for OHV40, 50, 60.....	14
Control Panel Information for OHV85.....	15
Gen End Componentry Diagrams, OHV30.....	16
Parts Breakdown / List for OHV30.....	17
Gen End Componentry Diagrams OHV40, 50,60.....	18
Parts Breakdown / List for OHV40, 50,60.....	19
Control Box & Gen End Componentry Diagrams, OHV85.....	20
Parts Breakdown / List for OHV85E.....	21
Wiring Diagrams: OHV30.....	22
Wiring Diagram: OHV40, 50,60.....	23
Wiring Diagrams: OHV85.....	24
Warranty Information.....	25

## LOCATION

For best service from your stationary generator set there are several factors which should be taken into consideration when choosing the best location in which to permanently mount it:

**MOISTURE:** All electrical equipment should be protected from excessive moisture. Failure to do so will result in deterioration of the insulation and may result in short circuits and a possible electrocution hazard.



**OPERATING ELECTRICAL EQUIPMENT IN WET ENVIRONMENTAL CONDITIONS CREATE A POTENTIAL ELECTROCUTION HAZARD. DO NOT OPERATE ELECTRICAL EQUIPMENT WHILE STANDING IN WATER, ON WET GROUND, OR WITH WET HANDS OR SHOES.**

**DIRT:** Foreign materials such as dust, sand and other abrasive materials have a tendency to cause excessive wear to both engine and generator parts. It is important that the unit be operated in a reasonably clean environment.

**HEAT:** All engines give off considerable heat when running. Since the engine and your generator set uses air to keep it cool it is important that the temperature of the area in which it is located is does not exceed 100° F (even while it is running). Where natural ventilation is inadequate a fan to boost circulation should be utilized.

**EXHAUST:** Exhaust Gases from internal combustion engines are extremely poisonous. Whenever an engine is run indoors the exhaust fumes must be vented to the outside.



**EXHAUST FUMES CAN CAUSE SEVERE INJURY OR DEATH. ALWAYS OPERATE IN A WELL-VENTILATED AREA.**

**CONFINED SPACE:** This unit must not be operated in a confined space or an enclosed compartment / area. Running the generator set in this environment is a potential fire hazard and is not authorized. Engine and generator overheating damage could also occur due to restricted cooling airflow to and from the unit.



**OPERATING THIS UNIT IN AN AREA WITHOUT ADEQUATE VENTILATION CREATES A POTENTIAL FIRE HAZARD. ALWAYS OPERATE THIS UNIT IN A WELL-VENTILATED AREA.**



## CONNECTIONS

**WIRING:** Use sufficiently large insulated wire to connect the generator set to the load. The gauge of the wire will depend largely on the distance, the permissible voltage drop, and the size and type of load. **If you are not sure of the gauge wire needed for your application, consult a competent electrician.**



**FRAYED, CUT, BROKEN, LOOSELY CONNECTED, OR IMPROPERLY SIZED POWER CORDS OR WIRES CAN CAUSE EQUIPMENT DAMAGE, FIRE, SEVERE INJURY OR DEATH. INSPECT AND MAINTAIN ALL POWER CORDS ON A REGULAR BASIS.**

**GROUNDING:** If grounding is necessary in your application according to National Electric Code and/or local codes, drive a 3/4" or 1" pipe into the ground as close to the generator Set as is possible. This pipe must penetrate moist earth (minimum of 8 feet). Connect a ground clamp to this pipe and run a No. 10 wire or larger from it to the ground stud on the generator set.

Do not connect the ground wire from the generator set to a water pipe or a ground used by a radio system.



**IMPROPER GROUNDING CAN CAUSE EQUIPMENT DAMAGE, SEVERE INJURY OR DEATH. INSPECT AND MAINTAIN THE GROUNDING SYSTEM IN ACCORDANCE WITH ALL APPLICABLE CODES.**

**CONNECTIONS TO HOUSE WIRING:** Any electrical generator that is temporarily connected to a building or home (where the building is also supplied electricity by a local utility) shall be connected **only by a competent electrician and only after the main service entrance switch has been disconnected and locked open.** This will isolate the building's electrical system from the local utility's electrical transmission wires and prevent the hazard of electrical back-feed to utility service workers.

Any generator set that is permanently connected to a building or home (where the building is also supplied electricity by a local utility) shall be connected only by means of a double-throw transfer switch. This will isolate the building's electrical system from the local utility's electrical transmission wires and prevent the hazard of electrical back-feed to utility service workers.



**DO NOT CONNECT THIS GENERATOR SET TO ANY BUILDING'S ELECTRICAL SYSTEM UNLESS YOU USE AN APPROVED TRANSFER SWITCH OR THE MAIN SERVICE ENTRANCE SWITCH HAS BEEN DISCONNECTED AND LOCKED OPEN.**



**ANY TEMPORARY OR PERMANENT WIRING CONNECTIONS MADE BETWEEN A GENERATOR SET AND AN EXISTING ELECTRICAL SYSTEM MUST ONLY BE DONE BY A QUALIFIED COMPETENT ELECTRICIAN. IMPROPER WIRING/ CONNECTIONS COULD CAUSE EQUIPMENT DAMAGE, PROPERTY DAMAGE, INJURY OR DEATH.**

**CHECK ALL NATIONAL ELECTRIC CODES AND ALL LOCAL CODES IN REGARDS TO YOUR SPECIFIC APPLICATION. ANY NATIONAL ELECTRIC CODE OR LOCAL CODE WILL TAKE PRECEDENCE OVER ANY OF OUR GUIDELINES OR RECOMMENDATIONS.**

## ENGINE INFORMATION

This operator's manual only covers basic day-to-day engine operating instructions. However, the engine manufacturer's manual is included with your generator set and should be referred to for any additional information you may need. Become familiar with and follow all the engine manufacturer's operation, safety and maintenance guidelines.

**OIL:** Use a high quality oil of the type specified in the engine owner's manual for your specific operating conditions. Check the oil regularly, or at minimum every 5-8 hours of operation.



**TO HELP PREVENT ENGINE DAMAGE, CHECK THE OIL LEVEL OF THE ENGINE REGULARLY AND MAKE SURE IT IS MAINTAINED AT THE PROPER LEVEL.**

**FUEL:** (Gasoline or Diesel): Fill the fuel tank prior to operation. Use a clean fuel of the type and specification mentioned in the engine owner's manual. Do not mix oil with the fuel. Never fuel the engine while it is running or hot as any spilled fuel may ignite on the hot surfaces. Always shut the engine off and allow it to cool down before refueling it.



**SPILLED FUEL MAY IGNITE AND CAUSE PROPERTY DAMAGE, SEVERE INJURY OR EVEN DEATH IF IT WOULD COME INTO CONTACT WITH ANY HOT SURFACE. NEVER REFUEL AN ENGINE WHILE IT IS HOT OR RUNNING. ALWAYS CLEAN UP ANY SPILLED FUEL AND ALLOW IT TO DRY PRIOR TO STARTING AN ENGINE.**

**FUEL (L.P. or Natural Gas):** Make sure the gaseous fuel being supplied to the unit is in vapor form and that it is being delivered to the engine's gaseous fuel regulator at the pressure specified on it. An engine needs 10,000 BTU's of fuel per each engine horsepower to operate properly.



**GASEOUS FUEL IS EXTREMELY FLAMMABLE AND CAN CAUSE PROPERTY DAMAGE, SEVERE INJURY OR DEATH. CHECK THE GASEOUS FUEL SUPPLY SYSTEM ON A MONTHLY BASIS FOR LEAKS. HAVE ANY LEAKS REPAIRED BY AN EXPERIENCED PROFESSIONAL PRIOR TO STARTING YOUR GENERATOR SET.**

**OPERATING SPEED:** This generator set must be run at it's proper speed in order to obtain the electrical power it was built to produce.

All engines have a tendency to slow down when a load is applied to it. The governor on the engine is designed to hold the operating speed as nearly constant as possible. When the load connected to the generator set is increased, the engine is more heavily loaded and as a result the engine speed drops slightly. This slight decrease in engine speed results in a slight decrease in generator voltage and frequency output. This voltage and frequency variation has no appreciable effect in the operation of motors, lights, and most appliances and tools. However, timing devices and clocks will not keep perfect time when used on this generator.

## MAINTENANCE



**MAINTENANCE SHOULD ONLY BE PERFORMED ON THE GENERATOR SET AFTER THE ENGINE HAS STOPPED AND THE GENERATOR SET HAS COOLED DOWN. THE BATTERY AND SPARK PLUG SHOULD ALSO BE DISCONNECTED PRIOR TO PERFORMING MAINTENANCE.**

### **GENERATOR END MAINTENANCE**

Generator end maintenance consists of cleaning the generator set, inspecting the wiring and fuel system, and making any necessary adjustments. Generator end maintenance should be performed on a monthly basis (or sooner if needed).

#### **CLEANING:**

- ✓ Clean the generator set and remove any and all dust, dirt, or other foreign material.
- ✓ Inspect and clean the cooling air intake and exhaust louvers of the generator end. Make sure they are free of 'caked -on' dirt or any other material that may restrict the cooling air flow through the generator windings.
- ✓ Clean the generator set and its components with a damp cloth or sponge.

**Do not use sprayed water or compressed air to clean the generator set or it's components.**

#### **INSPECTING:**

- ✓ Inspect the external wires of the generator set for cuts, fraying, or loose connections. Repair or replace any problems prior to using the unit.



**CUT, FRAYED, BROKEN, OR LOOSELY CONNECTED WIRES CAN CAUSE EQUIPMENT DAMAGE, SEVERE INJURY, OR DEATH.**

- ✓ Inspect and clean the battery posts and the associated battery cable terminals.
- ✓ Inspect and replace any control box components that are broken or not working properly (receptacles, circuit breakers, switches, etc...).
- ✓ Inspect the fuel system for leaks.
- ✓ Inspect and replace any fuel line that shows signs of deterioration.
- ✓ Make sure all the fuel clamps are tight.
- ✓ Make sure the fuel cap fits snugly on the fuel tank and that the fuel tank contains no leaks.



**REPAIR ANY FUEL SYSTEM LEAKS AND CLEAN UP ANY SPILLED FUEL PRIOR TO RUNNING THE UNIT.**

#### **ADJUSTMENTS:**

- ✓ The engine should be checked for proper speed setting(s).
- ✓ Prior to adjusting the engine speed, turn the auto idler switch off (if your generator set is so

equipped with this feature). Make sure that the auto idler magnet does not touch the throttle lever of the engine when it is running and the auto idler switch is turned off.

- ✓ Adjust the engine speed to 3720 RPM's (62 Hz) with no load applied to the generator set.
- ✓ Adjust the auto idler speed after you have accomplished the above adjustment.
- ✓ Adjust the auto idler speed by moving the electro-magnet back and forth in the magnet bracket to achieve an engine RPM of 2500-2900 when the auto idler switch is turned on.

**TEST ALL GFCI RECEPTACLES ON A MONTHLY BASIS BY PRESSING THE TEST BUTTON ON THE RECEPTACLE AND MAKING SURE THAT THE GFCI TRIPS AND ELIMINATES ALL POWER COMING FROM IT. REPLACE ANY GFCI RECEPTACLE THAT DOES NOT RESPOND TO THE TEST PROPERLY.**

## **ENGINE MAINTENANCE**



**MAINTENANCE SHOULD ONLY BE PERFORMED ON THE GENERATOR SET AFTER THE ENGINE HAS STOPPED AND THE GENERATOR SET HAS COOLED DOWN. THE BATTERY AND SPARK PLUG SHOULD ALSO BE DISCONNECTED PRIOR TO PERFORMING MAINTENANCE.**



**REPAIRS AND/OR ANY ADJUSTMENTS MADE TO THE GENERATOR SET SHOULD ONLY BE PERFORMED BY A COMPETENT MECHANIC FAMILIAR WITH THE OPERATION, SERVICING, AND SAFETY PRECAUTIONS RELEVANT TO THE ENGINE BEING WORKED ON.**

This manual contains only very minimal engine maintenance instructions. You should refer to the engine manufacturer's owner's manual for specific maintenance instructions for the engine on your generator set. Any maintenance instructions or recommendations in the engine owner's manual take precedence over any of the following general recommendations.

1. Clean and/or replace any fuel, oil, and/or air filters per the engine manufacturers' guidelines.
2. Check oil level regularly; at least every 5 to 8 hours of operation. Be sure the proper oil level is maintained.
3. Change the oil as is recommended in the engine manufacturer's owner's manual.
4. Replace the spark plug(s) as is recommended by the engine manufacturer (if applicable to the engine).
5. Clean the cooling fins on the engine to keep the engine's heat dissipation potential at it's maximum.
6. Inspect and clean all governor and carburetor linkages and make sure they operate properly.
7. Inspect the recoil rope for any damage and replace it if necessary (if applicable).
8. Clean the trash screen around the recoil or other cooling air intake.

## STORAGE

If you will not be using the generator set for a significant amount of time (3 months or longer) you should store the generator to prevent any problems that could arise from sitting idle. Please fully read the following guidelines prior to storing the unit.

1. Remove all fuel from the engine's fuel tank. If your engine is a gasoline engine start the generator set and allow it to run out of fuel and then close all the fuel valves. If it is not a gasoline engine, go to step 2.

An alternative to draining the fuel from a gasoline engine is adding a fuel stabilizer, such as "STA-BIL" to minimize the formation of fuel gum deposits during storage (Follow the manufacturer's directions). After the fuel stabilizer is added, run the generator set for 5 minutes to get the stabilizer into the carburetor. After shutting the engine off, be sure to close all the fuel valves.

2. Disconnect and remove the battery if your generator set is so equipped.
3. Drain the used oil from the engine's crankcase and refill it with fresh, clean oil (If your engine is diesel proceed to step 4).
4. If your engine has spark plugs, remove them and pour 1 oz. Of clean engine oil into the cylinder. Put a rag over the spark plug port and turn the engine over approximately 5 times to distribute the oil in the cylinder. Replace the spark plug but **do not** reconnect it. This will help prevent accidental or unauthorized starting.
5. Provide maintenance to the engine and generator set as described in the engine and generator maintenance sections of this manual.
6. Cover any bare metal spots with paint or another type of rust preventative.



**NEVER STORE AN ENGINE WITH FUEL IN ITS TANK INDOORS OR IN AN ENCLOSED, POORLY VENTILATED AREA WHERE GASOLINE FUMES COULD REACH AN IGNITION SOURCE AND CAUSE AN EXPLOSION.**

## USE OF ELECTRIC MOTORS

Electric motors require much more current (amperes) to start them than to run them. Some motors, particularly split-phase motors are very difficult to start and requires 5 to 7 times as much current to start them as it does to run them. Repulsion-induction type motors are the easiest to start and normally require 2 to 3 times as much current to start them as to run them.

Most fractional horsepower motors take about the same amount of current to start them as to run them. This is true whether they are the repulsion-induction type motor, capacitor type motor, or the split-phase type motor.

The other factors that influence the amount of current needed to start a motor are:

1. **The type of load connected to the motor.** If the electric motor is connected to a hard starting load such as an air compressor it will require more starting current. If the same electric motor is connected to a light load such as a fan or power saw it will require less starting current.
2. **The brand or design of the electric motor.** The expected starting current for a particular size motor will vary depending on the brand of the electric motor as well as the type of electric motor (Split Phase, capacitor, Repulsion-induction type, etc...).
3. **The condition of the electric motor.** A clean motor with free turning bearings will require less starting currents than a similar type motor that is dirty and the bearings are not as free turning as they used to be.

## **ORDERING PARTS**

When Generator repair parts are needed, they may be obtained by calling the Parts Department at Baldor Generators or the nearest local office of Baldor Electric Company. Accurate information such as the following will assure that you receive accurate parts for your particular generator:

1. Provide the model of the generator set.
2. Provide the serial number of the generator set.
3. A complete and accurate description of the part along with a part number (if known).
4. Quantity of parts.

**NOTE:** Engine parts can usually be obtained from a local representative of your engine manufacturer via the information in the engine manufacturer's owner's manual.

Pow'R Gard generator can obtain engine parts if necessary. However we do not stock engine parts nor are we a dealer in engine parts.

## **SERVICE**

Service for your generator set can be obtained from the service department at Baldor Generators by calling (920) 236-4200. Please have the following information available prior to contacting the factory:

1. The model of the generator set.
2. The serial number of the generator set.
3. A complete and accurate description of the problem.

# OPERATION

## PRIOR TO STARTING THE UNIT:

1. Locate and set up the generator set in an open, dry, well ventilated and reasonably level location.



**OPERATING THIS UNIT IN AN AREA NOT SUITABLE FOR IT'S PROPER USE MAY CAUSE DAMAGE TO THE UNIT, SEVERE INJURY, OR DEATH. SEE "LOCATION INFORMATION" SECTION LOCATED ELSEWHERE IN THIS MANUAL.**

2. If grounding is required for your application, check to make sure your unit is grounded properly.
3. Check the engine's oil level and add whatever amount of oil is necessary to bring it up to the level that is recommended by the engine manufacturer.
4. Check the engine's fuel level and add if necessary.



**NEVER REFUEL THE GENERATOR SET WHEN IT IS HOT OR RUNNING.**

5. Open the fuel valve on the fuel tank.
6. If the engine is equipped with a fuel valve, open it at this time.
7. Check the fuel system for fuel leaks and repair them prior to starting the engine.



**WIPE UP ANY SPILLED FUEL AND ALLOW IT TO DRY PRIOR TO STARTING THE ENGINE.**

8. Disconnect or "turn Off" all external loads.
9. Make sure all circuit breakers are set (pushed in).

## STARTING THE GEN SET:

1. Move the engine's choke lever to the 'Choke/Start" position. If the engine is warm or if the ambient air temperature is high, try starting the engine without choking it.
2. **Starting with recoil:**
  - A. If the generator's control panel has an engine 'ON/OFF' switch on it, turn it on at this time.
  - B. If the engine has an 'ON/OFF' switch on it, turn it on at this time.
  - C. Pull lightly on the recoil grip until you feel significant resistance, then pull sharply. Do not Allow the recoil rope to 'snap back' into the recoil housing. Allow the recoil to gently rewind into the recoil housing. **See your engine manual for instructions specific to your unit.**



If the engine does not start after turning the engine over a few times, smell for fuel near the air cleaner. If there is a significant gasoline smell coming from the air cleaner, turn the choke lever off and attempt to start the engine with the choke off.

- D. After the engine has started, turn the engine's choke lever to the 'OFF' position.
- E. Power Connect or 'turn on' the loads you wish to operate.

2. Starting with Electric Start:

- A. If the generator's control panel has an engine 'ON/OFF' switch on it, turn it on at this time.
- B. Either push the engine's start switch or turn the key switch fully clockwise to engage the electric start motor.
- C. Do not allow the starter motor to crank for more than 10 seconds at a time.
- D. Allow 20 seconds between starter motor cranking attempts.
- E. Once the engine has started, release the starting switch and do not attempt to re-engage it.

If the engine does not start after turning the engine over a few times, smell for fuel near the air cleaner. If there is a significant gasoline smell coming from the air cleaner, turn the choke lever off and attempt to start the engine with the choke off.

- F. After the engine has started, turn the engine's choke lever to the 'OFF' position.
- G. **Power is now present.** Connect or 'turn on' the loads you wish to operate.

**OIL CAPACITIES AND BATTERY RECOMMENDATIONS**

MODEL SERIES OHV	SUMMER OIL	WINTER OIL	OIL CAPACITY	RECOMMENDED BATTERY	(AMPS) COLD CRANKING
OHV30-15.20030	SAE. 30	5W/30	.85 PTS	N/A	N/A
OHV40-15.21042	SAE. 30	5W/30	2.0 PTS	N/A	N/A
OHV50-15.21045	SAE. 30	5W/30	2.30 PTS	N/A	N/A
OHV50E-15.21046	SAE. 30	5W/30	2.30 PTS	**EXIDE PV 30H	300
OHV50H-15.21050	SAE. 30	5W/30	1.90 PTS	N/A	N/A
OHV60-15.21057	SAE. 30	5W/30	2.0 PTS	N/A	N/A
OHV60E-15.21059	SAE. 30	5W/30	2.0 PTS	**EXIDE PV 30H	300
OHV85E-15.20075	SAE. 30	5W/30	2.0 PTS	**EXIDE PV 30H	300
OHV100E-15.20090	SAE. 30	5W/30	2.0 PTS	**EXIDE PV 30H	300
OHV110E-15.20110	SAE. 30	5W/30	2.30 PTS	**EXIDE PV 30H	300

## SIMPLE TROUBLESHOOTING

Listed below are the more simple solutions to some of the more common problems that are reported to the Service Department at Baldor Generators. These troubleshooting solutions are meant to be an aid for a person who has minimal electrical knowledge and experience. More in-depth, detailed troubleshooting information for a person more knowledgeable and experienced in electricity can be obtained by contacting the Technical Service Department at Baldor Generators by calling (920) 236-4200.



**BEFORE BEGINNING TO TROUBLESHOOT THE GENERATOR SET, DISCONNECT THE SPARK PLUG (IF APPLICABLE) AND THE BATTERY (IF APPLICABLE) AND ALLOW THE UNIT TO COOL DOWN.**



**EYE PROTECTION SHOULD BE WORN WHILE TROUBLESHOOTING THIS GENERATOR SET.**

### NO OUTPUT

1. **Bad Voltage regulator fuse.** Check the voltage regulator fuse and replace it if necessary.
2. **The generator speed is too slow.** If the generator is turning too slow the generator set will produce low or no output voltage. Make sure the generator is turning at the speed on the nameplate.
3. **Broken wires or loose connections.** Broken wires or loose connections can cause the generator set to have low or no output voltage. Check all wiring for broken wires and bad/loose connections.
4. **Bad circuit breaker.** If a circuit breaker opens up and will not reset, or the reset button is not free-floating, your generator will not produce power out of all the receptacles. Check for continuity across each circuit breaker with a continuity tester or ohmmeter (The wires must be removed from the circuit breaker prior to checking it).
5. **Loss of residual magnetism.** Loss of residual magnetism will not allow the generator's excitation system to build up and thus the generator set will not produce any power. To 'Flash' the generator set, (restore residual magnetism) follow these steps:
  - A. Disconnect exciter winding leads F1 and F2 from the voltage regulator.
  - B. Start the generator set.
  - C. With the generator set running, apply 12VDC from a wet cell battery (Automotive type) to the F1 and F2 exciter winding leads for 1 second.
  - D. Stop the generator set and reconnect the F1 and F2 leads to the voltage regulator.

E. Restart the unit and check for voltage output.



**BE EXTREMELY CAREFUL WHEN USING THE ALTERNATE METHOD FOR FLASHING THE GENERATOR AS YOU WILL BE WORKING AROUND FAST, ROTATING COMPONENTS ALONG WITH LIVE WIRES AND BARE CONNECTIONS.**

## **LOW VOLTAGE OUTPUT**

### **Possible Problems:**

1. **Generator speed too slow.** If the generator is turning too slow, the generator set will produce low or no output voltage. Make sure the generator is turning at the speed specified on the nameplate.
2. **Broken wires or loose connections.** Broken wires or loose connections can cause the generator set to have low or no output voltage. Check all wiring for broken wires and bad/loose connections.

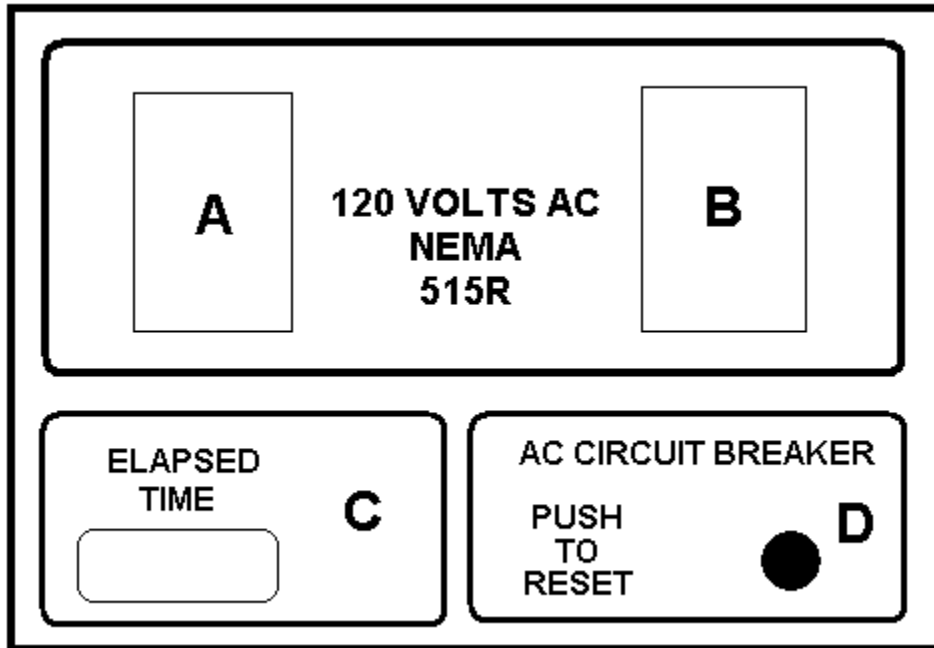
## **HIGH VOLTAGE OUTPUT**

### **Possible Problems:**

1. **Generator speed too fast.** If the generator is turning too fast the generator set will produce high output voltage. Make sure the generator is turning at the speed specified on the nameplate.

## CONTROL PANEL

For OHV30



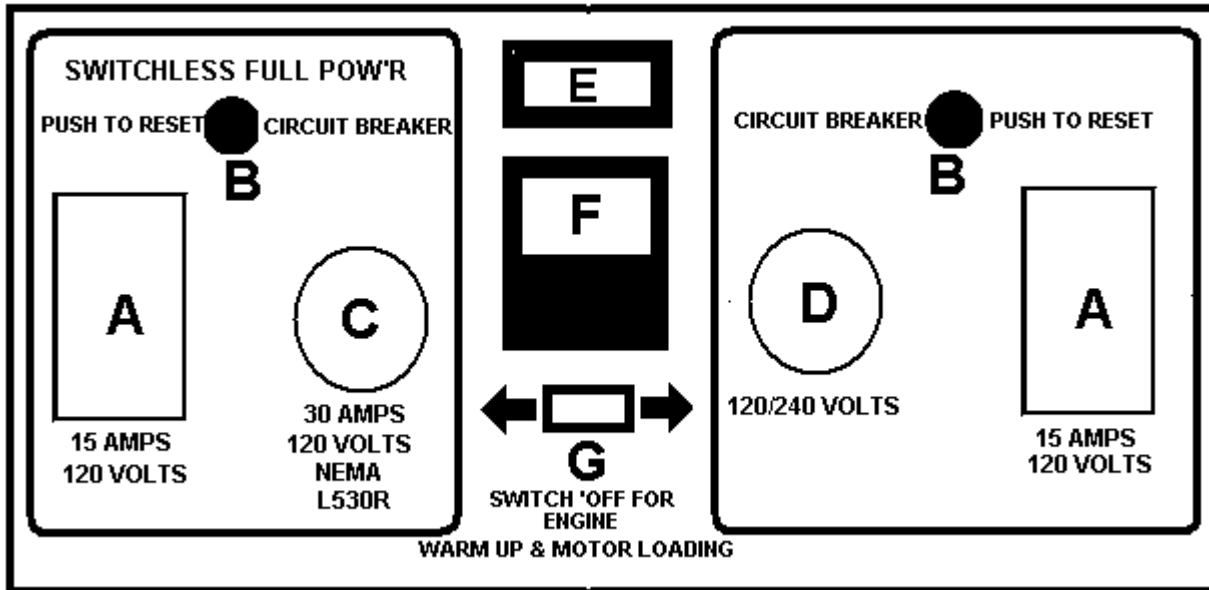
A = NEMA 515R GFCI DUPLEX. This receptacle is a ground fault circuit interrupter duplex rated at 20 amps. This receptacle must be tested on a regular basis (monthly).

B = STANDARD DUPLEX RECEPTACLE. This is your standard household duplex receptacle, it is rated for 120 VAC, 15 Amps. When using this receptacle you are utilizing the ground fault protection provided by the GFCI receptacle.

C = ELAPSED TIME METER. This meter displays a continuous running total of the hours accumulated on the unit.

D = CIRCUIT BREAKER. This circuit breaker provides overload protection for the generator set. When tripped, the circuit breaker plunger will extend out approximately 3/8".

## CONTROL PANEL FOR OHV40, OHV50, OHV60



A = NEMA 515R GFCI DUPLEX. This ground fault circuit interrupter duplex is rated at 125VAC, 20 Amps. This receptacle must be tested on a regular basis (Monthly).

B = AC Circuit Breakers. These Circuit Breakers provide overload protection for the generator set. When tripped, the circuit breaker plungers will extend approximately 3/8".

C = NEMA L530R RECEPTACLE. This is a twist-lock style receptacle rated for 120VAC, 30 Amps.

D = NEMA RECEPTACLE: This is a twist-lock style receptacle rated for 120/240 VAC, depending on how the mating plug is wired. OHV40 & OHV50 have the L14-20R receptacle, which is capable of carrying 20 Amps. OHV 60 has the L14-30R receptacle which is capable of carrying 30 Amps

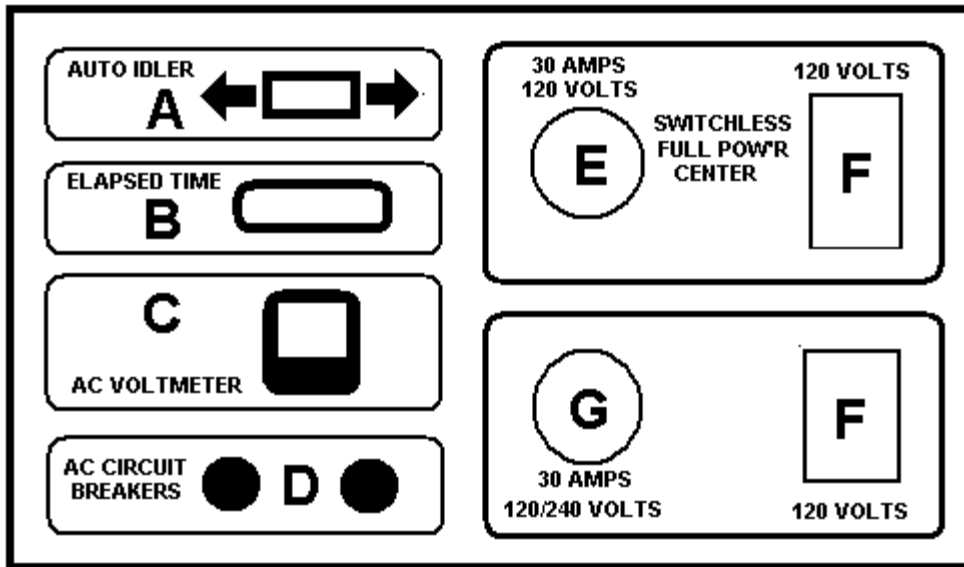
E = ELAPSED TIME METER. This meter keeps and displays a continuous running total of the hours accumulated on the unit.

F = VOLTMETER. This voltmeter displays the voltage level being produced by the generator set.

G = THE AUTO IDLER FEATURE ON/OFF SWITCH. The Auto Idler Feature allows the engine on the generator set to slow down to a "slow speed position" when there is no load being applied to the unit. When a load is applied to the unit the auto idler circuitry allows the engine to speed up and operate at the engine governor's preset speed. When this switch is turned off, the engine will continuously run at the preset speed of the engine governor.

# CONTROL PANEL

FOR OHV85



A = THE AUTO IDLER FEATURE ON/OFF SWITCH. The Auto Idler Feature allows the engine on the generator set to slow down to a "slow speed position" when there is no load being applied to the unit. When a load is applied to the unit the auto idler circuitry allows the engine to speed up and operate at the engine governor's preset speed. When this switch is turned off, the engine will continuously run at the preset speed of the engine governor.

B = ELAPSED TIME METER. This meter keeps and displays a continuous running total of the hours accumulated on the unit.

C = VOLTMETER. This voltmeter displays the voltage level being produced by the generator set.

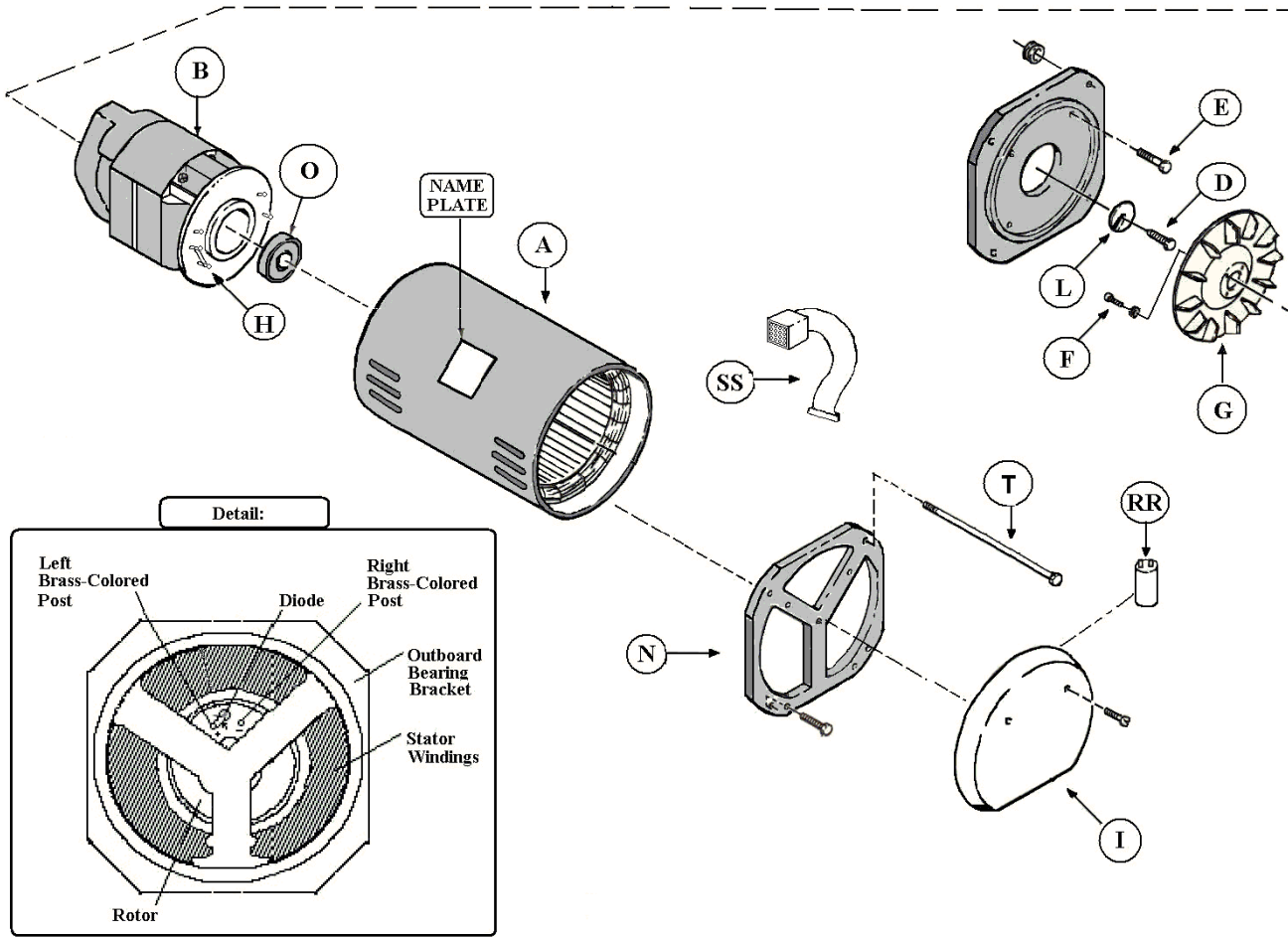
D = AC CIRCUIT BREAKERS. These Circuit Breakers provide overload protection for the generator set. When tripped, the circuit breaker plungers will extend approximately 3/8".

E = NEMA L530R RECEPTACLE. This is a twist-lock style receptacle rated for 125VAC, 30 Amps.

F = NEMA 515R GFCI DUPLEX. This ground fault circuit interrupter duplex is rated at 125VAC, 20 Amps. This receptacle must be tested on a regular basis (Monthly).

G = NEMA L14-30R RECEPTACLE. This is a twist-lock style receptacle rated for 120/240 VAC, depending on how the mating plug is wired. It is capable of carrying 30 Amps.

# Generator-End Componentry OHV30 Genset



# PARTS BREAKDOWN

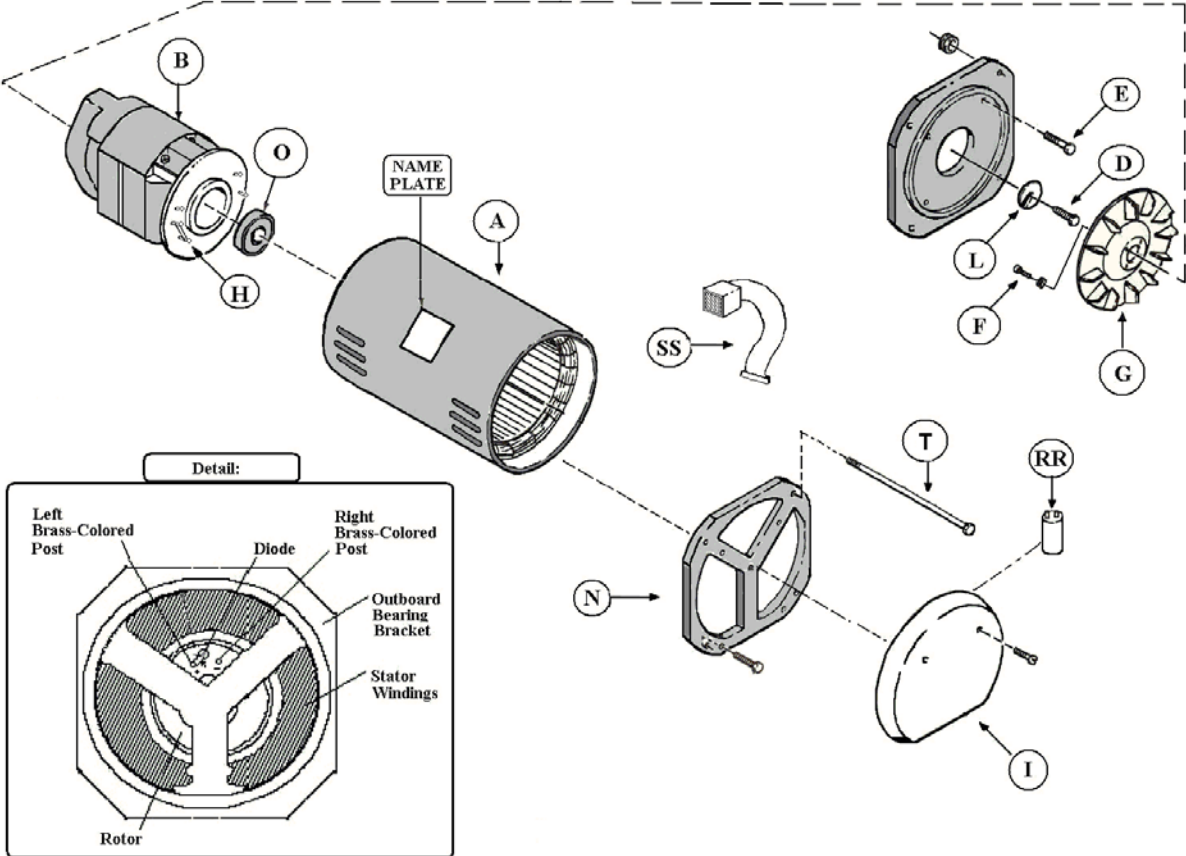
## FOR OHV30 GENERATOR SETS:

REF LETTER	OLD PART #	NEW PART #	DESCRIPTION
A	46.10025C	61SA0019A01	Stator assembly
B	66.00025	61RA0011A00	Rotor Assembly
D	230.02020	10XN3124K12	Bolt to attach Rotor
E	230.04020	10XN3124Y14	Bolt to Attach Engine Adaptor
F	230.12010	84XN1032L10SP	Bolt to Attach Fan
G	340.00000	61FN3000SP	Fan
H	500.16000	DI0176A01SP	Rotor Diode
I	370.03602	HB6153A00	Blank End Cover
Not Shown	380.53000	BA0187A02L	Base/ Wrap Frame
L	390.00000	HA1037A00SP	'C' Washer
Not Shown	400.00000A	HA9139A00SP	Engine Adaptor Casting
N	400.20100A	61EP3204A01SP	Bearing Bracket Casting
O	410.00600	BG6204H03	Rotor Bearing
T	480.00025	HA3187A03SP	Stator Bolt for 2500 Watt Gen
SS	Consult Factory	Consult Factory	Mate -N- Loc kit
Not Shown	360.05000	EH0315A00 *	Control Box, Empty
Not Shown	370.11900	EH0331A00 *	Control Box Cover
Not Shown	450.01500	HB61050A00 *	Generator Cross-member
Not Shown	540.20000	WD3201A00SP	Hour Meter
Not Shown	560.00000	WD1541A00SP	Duplex Receptacle, 125 VAC, 15 Amp
Not Shown	560.70020	WD1541A33SP	<input type="checkbox"/> GFCI Duplex Receptacle, 125 VAC / 20 Amps
Not Shown	600.00020	EC6000*	Capacitor, 20 MFD
Not Shown	610.00030	CK0070A03SP	Circuit Breaker, 25 Amps
Not Shown	700.00510	RM1088A05SP	Vibration Isolator with Hardware
Not Shown	713.30000	TA0000A02SP	Fuel Tank, 11 1/2" X 17" X 4" deep
Not Shown	715.00000	TA0002A02SP	Fuel Tank Cap, 5" long

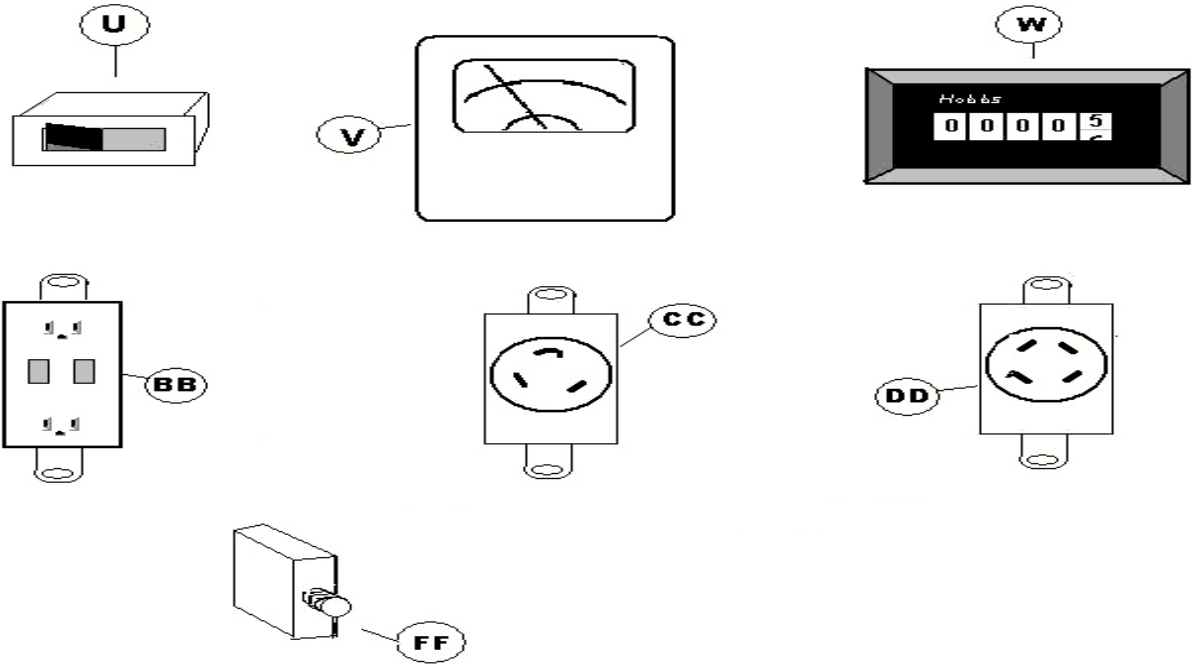
\* = Bus system may only recognize as a production component rather than a spare part  
revised 11/13/01



**Generator-End Componentry**  
**OHV40, OHV50, OHV60**



**Control Box Componentry**  
**OHV40, OHV50, OHV60**



# PARTS BREAKDOWN

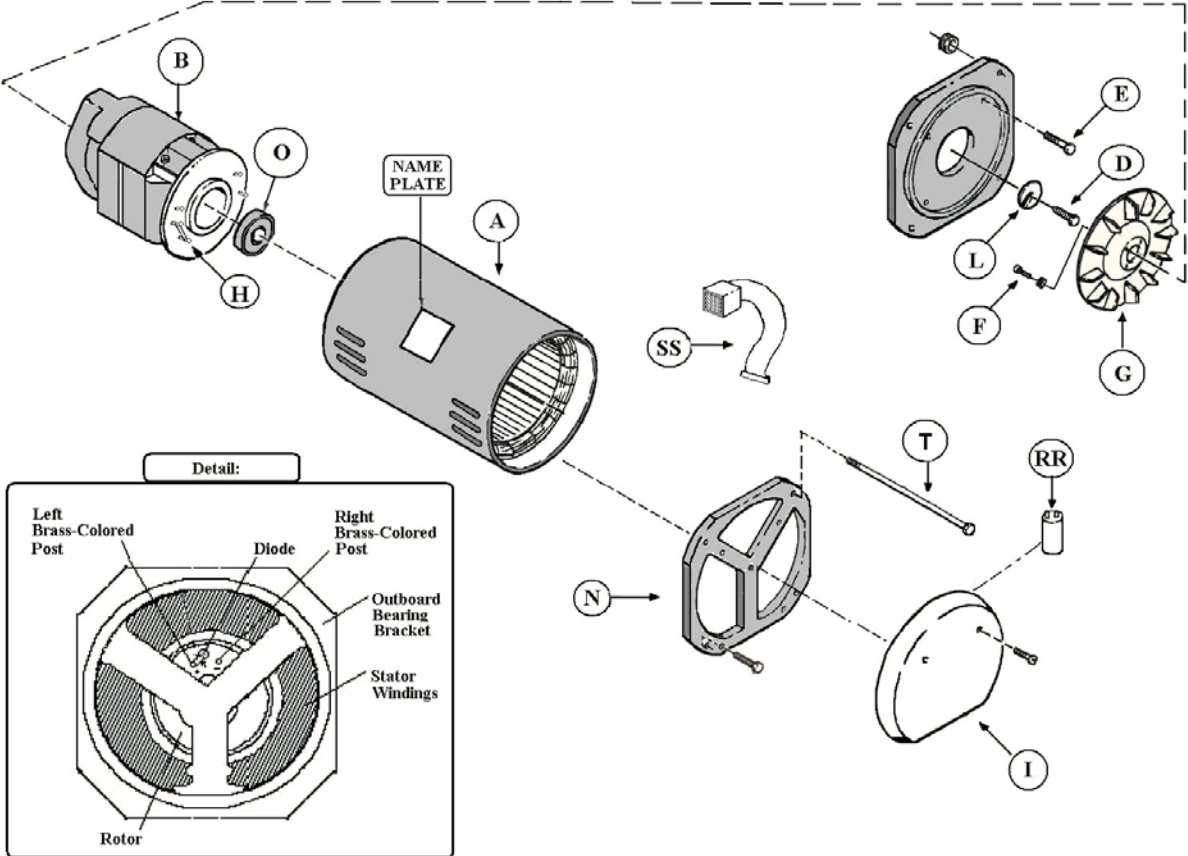
## FOR OHV40, OHV50, OHV60 GENERATOR SETS:

REF LETTER	OLD PART #	NEW PART #	DESCRIPTION
A	46.00045D	61SA0010A02	Stator assembly for 4000 to 5000 Watt Units
A	46.00055B	61SA0013A00	Stator assembly for 6000 Watt Units
B	66.00045	61RA0013A00	Rotor Assembly for 4000 to 5000 Watt Units
B	66.00055	61RA0015A00	Rotor Assembly for 6000 Watt Units
C	140.00200	CT0046A00SP	Idler Transformer
D	230.02020	10XN3124K12	Bolt to attach Rotor
E	230.06040	10XN3816K20 *	Bolt to Attach Engine Adaptor
F	230.12010	84XN1032L10SP	Bolt to Attach Fan
G	340.00000	61FN3000SP	Fan
H	500.16000	DI0176A01SP	Rotor Diode
I	370.03601	EH0321A00	Blank End Cover
K	380.58100	BA0188A00L	Base/ Wrap Frame
L	390.00000	HA1037A00SP	'C' Washer
M	400.00100A	HA9139A01SP	Engine Adaptor Casting
N	400.20100A	61EP3204A01SP	Bearing Bracket Casting
O	410.00600	BG6204H03	Rotor Bearing
P	450.05100	HB7025A00 *	Mounting Foot for Engine
R	Consult Factory	Consult Factory	Generator Cross-member
S	Consult Factory	Consult Factory	Engine Mounting Strap
T	480.00050	HA3187A06SP	Stator Bolt, 11 3/4" Long
T	480.00065	HA3187A07SP	Stator Bolt, 12 1/4" Long
T	480.00090	HA3187A08SP	Stator Bolt, 13 1/4" Long
U	520.00403	SP9080SP	Auto Idler System Switch
V	540.00300	WD3201A02SP	Voltmeter, 0-300 VAC
W	540.20000	WD3201A00SP	Hour Meter
Not Shown	550.00700	EA0002A00SP	Auto Idler System Magnet
Not Shown	560.00700A	EA0002A01SP	Idler Magnet for Units with Honda Engines
AA	560.00000	WD1541A00SP	Duplex Receptacle, 125 VAC, 15 Amp
BB	560.70020	WD1541A33SP	GFCI Duplex Receptacle, 125 VAC / 20 Amp
CC	560.10025	WD1541A10SP	Twistlock Receptacle, L530R
DD	560.10090	WD1541A14SP	Twistlock Receptacle, L14-30R
DD	560.10091	WD1541A15SP	Twistlock Receptacle, L14-20R, for 4000-5000 watt units, prior to 8/99
EE	600.00030C	OC6030F11SP*	Capacitor, 30 MFD
FF	610.00015	CK0070A01SP	Circuit Breaker, 15 Amps
FF	610.00020	CK0070A02SP	Circuit Breaker, 20 Amps
FF	610.00025	CK0070A06SP	Circuit Breaker, 25 Amps
FF	610.00030	CK0070A03SP	Circuit Breaker, 30Amps
FF	610.00040	CK0070A04SP	Circuit Breaker, 40 Amps
FF	610.00050	CK0070A05SP	Circuit Breaker, 50 Amps
Not Shown	700.00512	RM1088A07SP	Engine Vibration Isolators
Not Shown	700.00511	RM1088A06SP	Gen End Vibration Isolators
Not Shown	713.50000	TA0000A03SP	Fuel Tank, 5 Gal. 24"x17"x4" deep
Not Shown	715.00500	TA0002A04SP	Fuel Tank Cap, 8" long
Not Shown	950.01000	EB1242A00SP	Auto Idle System Circuit Board
Not Shown	440.46400	HB6136A00*	Idler Throttle Lever for OHV40
Not Shown	440.46500	HB6188A00*	Magnet Bracket for OHV40
Not Shown	440.46600	Consult Factory	Idler Throttle Lever for OHV60
Not Shown	440.46700	HB6144A00*	Magnet Bracket for OHV60
Not Shown	440.46800	Consult Factory	Idler Throttle Lever for OHV50
Not Shown	440.46900	Consult Factory	Magnet Bracket for OHV50
SS	Consult Factory	Consult Factory	Mate -n- Loc Kit

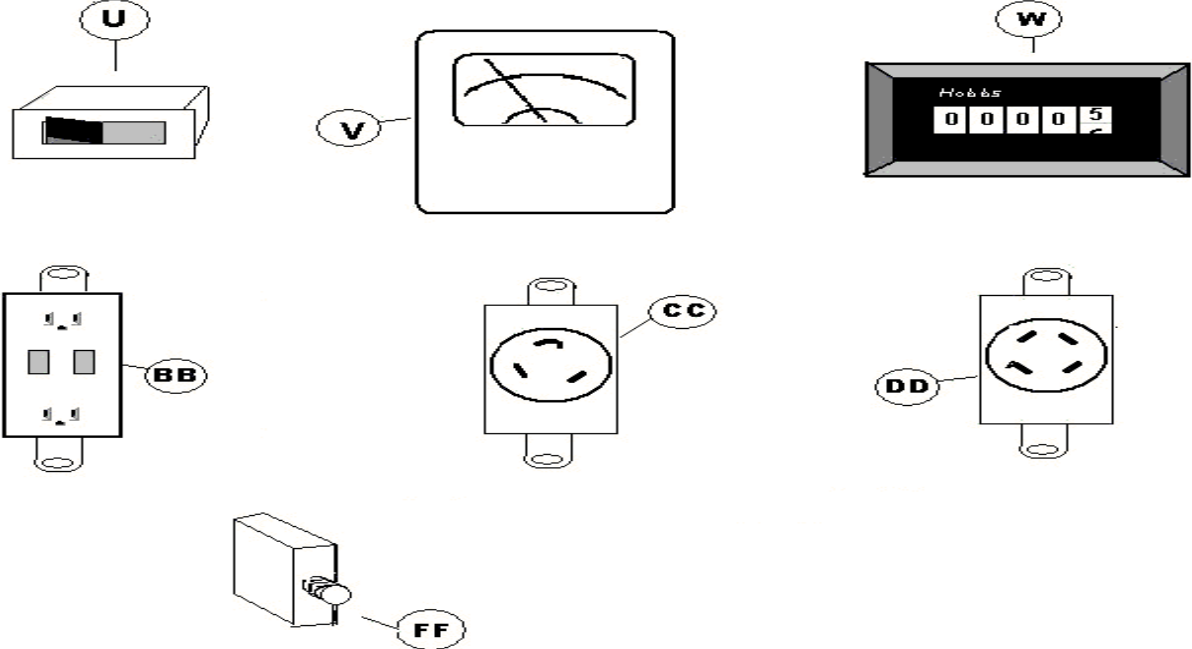
\* = Bus system may only recognize as a production component rather than a spare part

Revised 03/14/03

# Generator-End Componentry OHV85



# Control Box Componentry OHV85



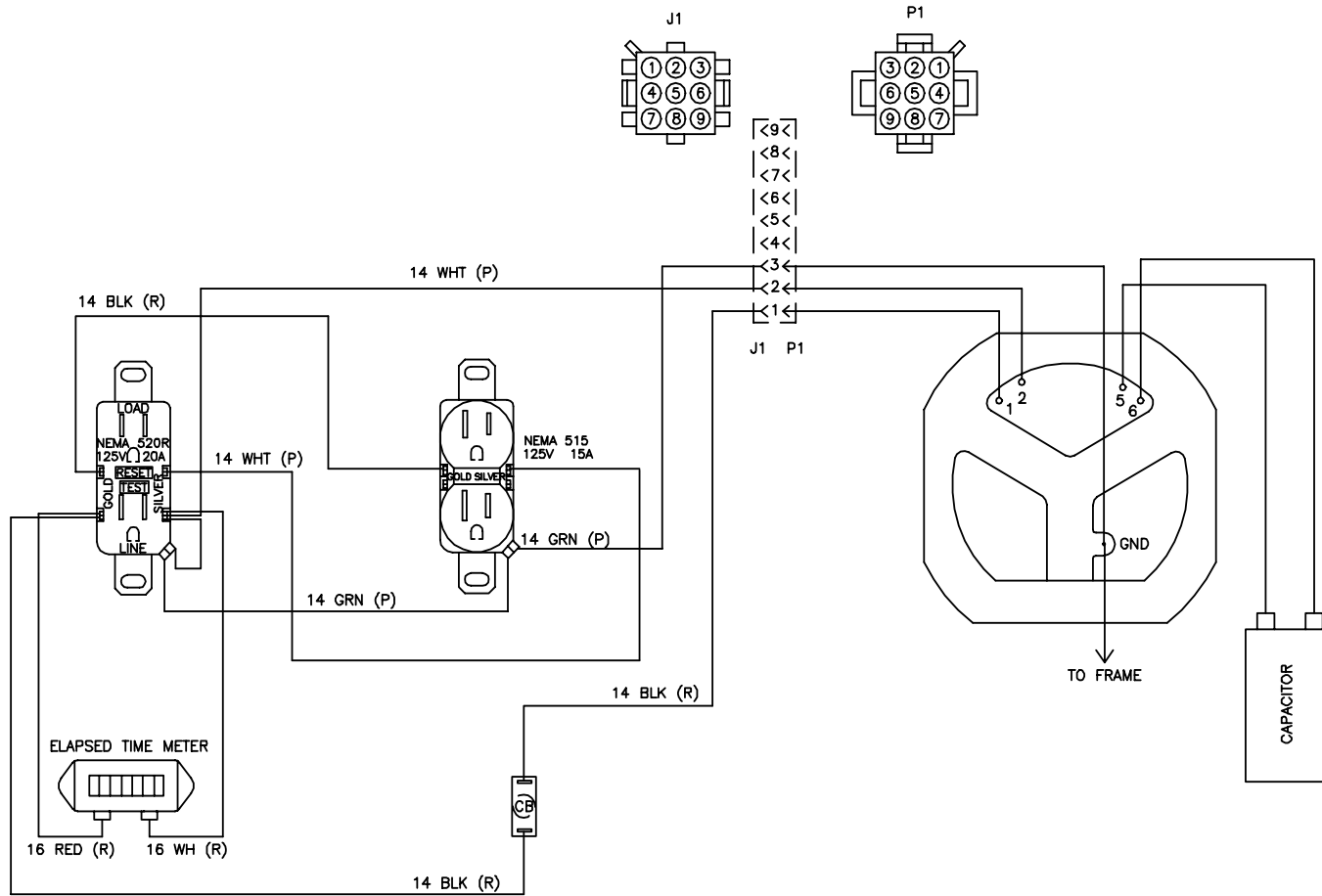
# PARTS BREAKDOWN

## FOR OHV85 GENERATOR SETS:

REF LETTER	OLD PART #	NEW PART #	DESCRIPTION
A	46.10075B	61SA0022A01	Stator assembly
B	66.00075	61RA0016A00	Rotor Assembly
C	140.00200	CT0046A00SP	Idler Transformer
D	230.04040	Consult Factory	Bolt to attach Rotor *****
E	230.08030	Consult Factory	Bolt to Attach Engine Adaptor ****
F	230.12010	84XN1032L10SP	Bolt to Attach Fan
G	340.00000	61FN3000SP	Fan
H	500.16000	DI0176A01SP	Rotor Diode
I	370.03602	HB6153A00	Blank End Cover
K	380.50000	BA0187A01L	Base/ Wrap Frame
L	390.00000	HA1037A00SP	`C` Washer
M	400.00100A	HA9139A01SP	Engine Adaptor Casting
N	400.20100A	61EP3204A01SP	Bearing Bracket Casting
O	410.00600	BG6204H03	Rotor Bearing
Not Shown	450.05100	HB7025A00 *	Mounting Foot for Engine
Not Shown	450.05900	HB6150A01	Generator Cross-member/End Bracket
Not Shown	450.06200	HB7002A08L *	Engine cross-member /Mounting Strap
T	480.00090	HA3187A08SP	Stator Bolt
U	520.00403	SP9080SP	Auto Idler System Switch
V	540.00300	WD3201A02SP	Voltmeter, 0-300 VAC
W	540.20000	WD3201A00SP	Hour Meter
Not Shown	550.00700	EA0002A00SP	Auto Idler System Magnet
AA	560.00000	WD1541A00SP	Duplex Receptacle, 125 VAC, 15 Amp
BB	560.70020	WD1541A33SP□□	GFCI Duplex Receptacle, 125 VAC / 20 Amp
CC	560.10025	WD1541A10SP	Twistlock Receptacle, L530R
DD	560.10090	WD1541A14SP	Twistlock Receptacle, L14-30R
EE	600.00030C	OC6030F11SP*	Capacitor, 30 MFD
FF	610.00040	CK0070A04SP	Circuit Breaker, 40 Amps
SS	Consult Factory	Consult Factory	Mate -n- Loc Kit
Not Shown	700.00512	RM1088A07SP	Vibration Isolators
Not Shown	700.00511	RM1088A06SP	Vibration Isolators
Not Shown	713.00200	TA0000A01SP	Fuel Tank
Not Shown	715.00000	TA0002A02SP	Fuel Tank Cap
Not Shown	950.01000	EB1242A00SP	Auto Idle System Circuit Board
Not Shown	440.47000	HB6138A00	Idler Throttle Lever for OHV85
Not Shown	440.47100	HB6145A00	Magnet Bracket for OHV85

Revised 03/14/03

\* = Bus system may only recognize as a production component rather than a spare part



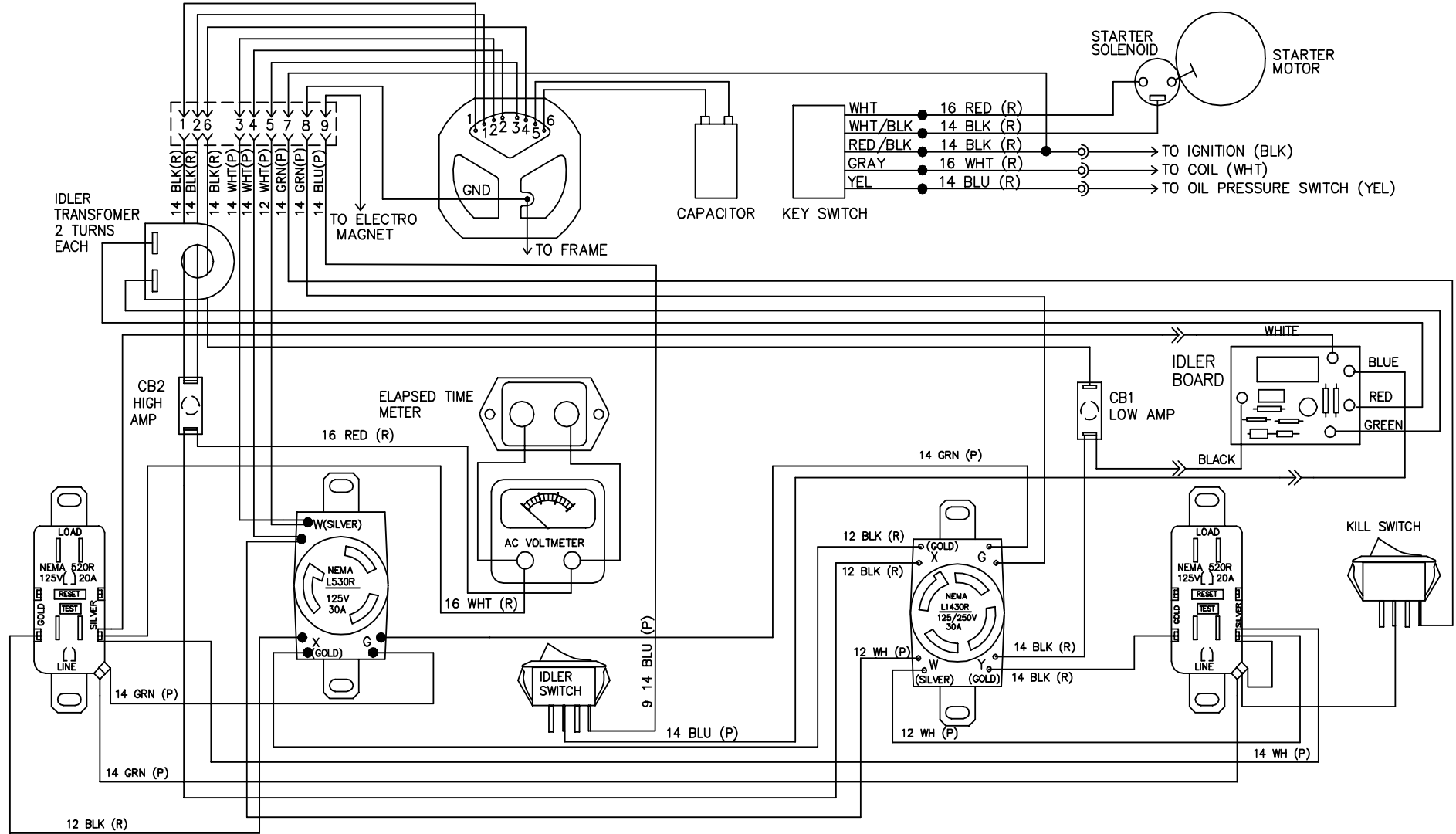
NOTE: RECEPTACLE TERMINALS ARE DRAWN AS SEEN FROM THE BACK

REV. DESC: 520R 20A WAS 515R 15A			
REV. LTR: E	BY: JJF	REVISED: 08:56:31 08/13/2002	TDR: 277782
FILE: PGA00002158		REF: BW0174D	
MTL: -			

BALDOR ELECTRIC Co.

CONNECTION DIAGRAM, MA 2-WIRE

### Wiring Diagram OHV30

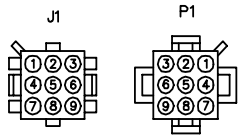
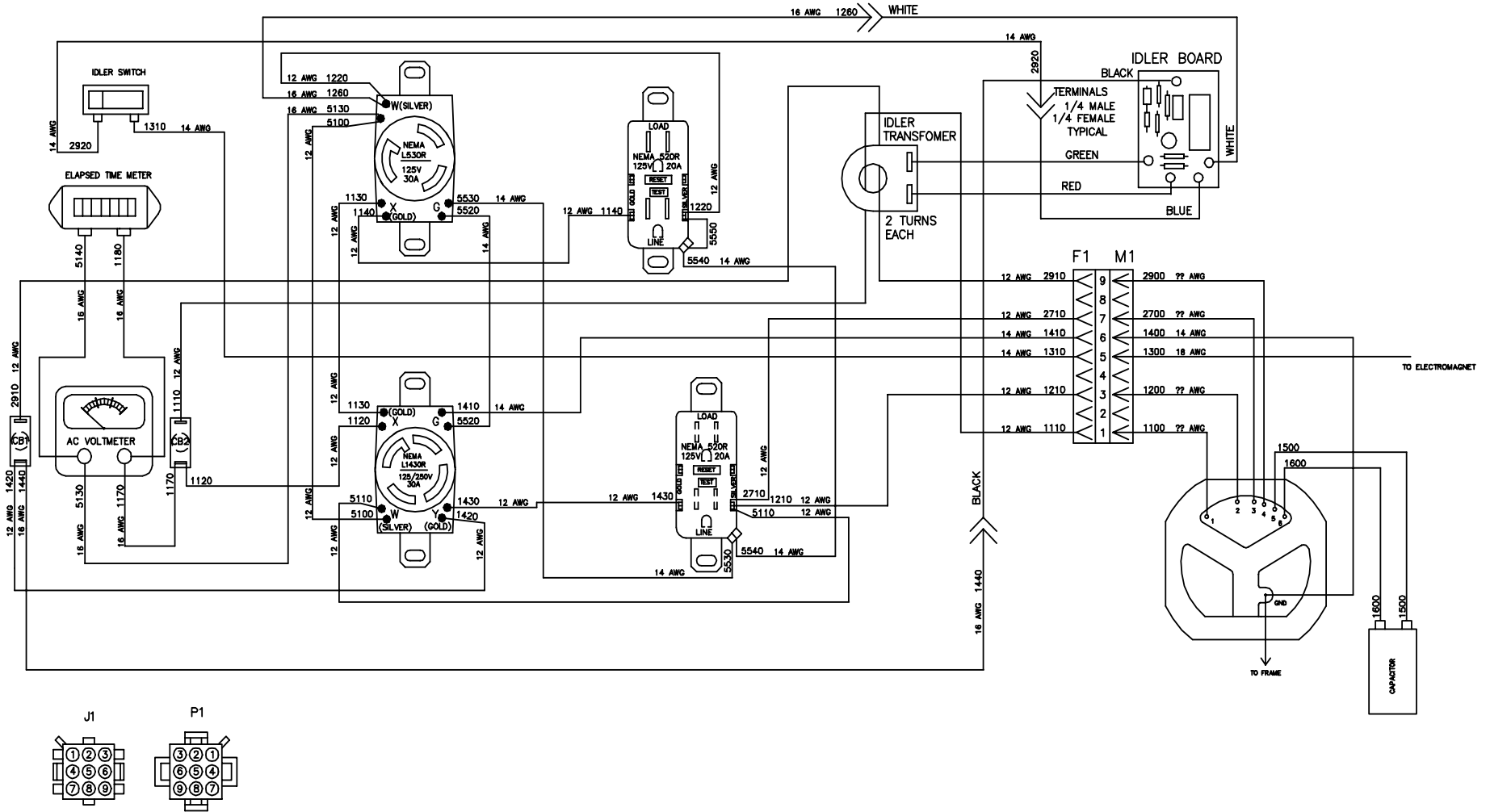


REV. DESC: 520R 20A WAS 515R 15A			
REV. LTR: J	BY: JJF	REVISED: 12:34:13 08/09/2002	TDR: 277782
FILE: PGA00002156		REF: BW0172D	
MTL: -			

**BALDOR ELECTRIC Co.**

DHV4/DHV6 RECEPTACLE CONNECTION, L530R, L1430R

**Wiring Diagram  
OHV40, OHV50, OHV60**



NOTE: RECEPTACLE TERMINALS ARE DRAWN AS SEEN FROM THE BACK

NOTE: CABLE AWG (N) BASED ON "ESSEX NEOPRENE CABLE"  
 CABLE AWG (H) BASED ON "ESSEX HYPALON CABLE"  
 WIRE AWG BASED ON "ESSEX XLP WIRE"

REV. DESC: 520R 20A WAS 515R 15A			
REV. LTR: D	BY: JJF	REVISED: 11:14:14 08/09/2002	TDR: 277782
FILE: PGA0002154		REF: BW0170D	
MTL: -			

**BALDOR ELECTRIC Co.**

4 WIRE RECEPTACLE PACKAGE W/IDLER CONNECTION DIAGRAM

# Wiring Diagram OHV85E





**BALDOR**  
**GENERATORS**  
**LIMITED WARRANTY**

Effective August 1, 2003

Unless otherwise provided, Baldor generators are warranted against defects in Baldor workmanship and materials for a period of time as set forth in the Warranty Period chart below. If a Baldor product is defective due to Baldor workmanship or materials and the defect occurs during the warranty period, then Baldor will either repair the product or replace it with a new one, whichever Baldor believes to be appropriate under the circumstances. Service for warranty issues regarding any Baldor Generators Products Warranty is available by contacting Baldor Generators' Customer Service Department in Oshkosh, Wisconsin. A list of Baldor's generator repair facilities may be obtained by contacting Baldor Generators at: Customer Service, Baldor Generators, 3815 Oregon Street, Oshkosh, Wisconsin 54902, 920-236-4200 (telephone), 920-236-4219 (facsimile). All Baldor products requiring warranty service shall be transported or shipped freight pre-paid, at the risk of the party requiring warranty service, to a Baldor Generator repair facility, or to Baldor Generators' Customer Service Department in Oshkosh, Wisconsin. Written notification of the alleged defect in addition to a description of the manner in which the Baldor generator is used, and the name, address and telephone number of the party requiring warranty service must be included. Baldor is not responsible for removal and shipment of the Baldor product to the service center or for the reinstallation of the Baldor product upon its return to the party requiring warranty service. Customers who are unable to take or ship the Baldor product to a Baldor Generator repair facility, or who desire a repair to be made by other than a Baldor Generator repair facility, should contact Baldor Generators' Customer Service Department at 920-236-4200. Baldor, in advance of such service, must approve a repair by anyone other than a Baldor Generator repair facility in writing. Problems with Baldor products can be due to improper maintenance, faulty installation, non-Baldor additions or modifications, or other problems not due to defects in Baldor workmanship or materials. If a Baldor Generator repair facility determines that the problem with a Baldor product is not due to defects in Baldor workmanship or materials, then the party requesting warranty service will be responsible for the cost of any necessary repairs. Parties requiring warranty service not satisfied with a determination that a problem is outside of warranty coverage should contact Baldor Generators' Customer Service Department at 920-236-4200 for further consideration. EXCEPT FOR THE EXPRESSED WARRANTY SET FORTH ABOVE, BALDOR GENERATORS DISCLAIMS ALL OTHER EXPRESSED AND IMPLIED WARRANTIES INCLUDING THE IMPLIED WARRANTIES OF FITNESS FOR A PARTICULAR PURPOSE AND MERCHANTABILITY. NO OTHER WARRANTY, EXPRESSED OR IMPLIED, WHETHER OR NOT SIMILAR IN NATURE TO ANY OTHER WARRANTY PROVIDED HEREIN, SHALL EXIST WITH RESPECT TO THE GOODS SOLD UNDER THE PROVISIONS OF THESE TERMS AND CONDITIONS. ALL OTHER SUCH WARRANTIES ARE HEREBY EXPRESSLY WAIVED BY THE BUYER. UNDER NO CIRCUMSTANCES SHALL BALDOR GENERATORS BE LIABLE OR RESPONSIBLE IN ANY MANNER WHATSOEVER FOR ANY INCIDENTAL, CONSEQUENTIAL OR PUNATIVE DAMAGES, OR ANTICIPATED PROFITS RESULTING FROM THE DEFECT, REMOVAL, REINSTALLATION, SHIPMENT OR OTHERWISE. This is the sole warranty of Baldor Generators and no other affirmations or promises made by Baldor Generators shall be deemed to create an expressed or implied warranty. Baldor Generators has not authorized anyone to make any representations or warranties other than the warranty contained herein.

**WARRANTY PERIOD**

<b>GENERATOR SERIES</b>	<b>Labor*</b>	<b>Parts</b>
Portable Products (Premier, Powerchief, DG Series, K Series)	1 Year	3 Years
Towable Products (TS)	1 Year or 3,000 Hours Whichever comes first	3 Years or 3,000 Hours Whichever comes first
3600 RPM Standby Systems (Some AE Models)	1 Year or 1,000 Hours Whichever comes first	3 Years or 1,000 Hours Whichever comes first
1800 RPM Standby Systems (Some AE Models, DLC, GLC)	1 Year or 3,000 Hours Whichever comes first	3 Years or 3,000 Hours Whichever comes first
Industrial Standby Systems	1 Year or 1,000 Hours Whichever comes first	2 Years or 1,000 Hours Whichever comes first
Industrial Prime Power Systems	1 Year or 1,000 Hours Whichever comes first	1 Year or 1,000 Hours Whichever comes first
International	1 Year or 1,000 Hours Whichever comes first	1 Year or 1,000 Hours Whichever comes first

\*Labor coverage for warrantable repairs is provided for the applicable period not to exceed published rates as contained in the Baldor Generators Warranty Policy. Mileage is allowed only for permanent installations not to exceed published rates as contained in the Baldor Generators Warranty Policy.

Proof of purchase date is required for all Portable and Towable products to qualify for any warranty consideration. Serial number and model number will be required for all warranty work.

For all other products, a Start-up Inspection Form / Warranty Registration must be completed in its entirety and submitted to Baldor Generators within 30 days of start-up to qualify for any warranty consideration.

### **Owner's Responsibilities:**

The owner is obligated to operate and maintain the generator in accordance with the recommendations published by Baldor Generators in the Operator's Manual for the generator. The owner is responsible for the costs associated with maintenance and any adjustments that may be required.

The owner is responsible for payment of any of the following expenses that might be incurred as a result of a failure under the terms of this warranty:

1. Rental equipment used to replace the equipment being repaired.
2. Telephone or other communication expenses.
3. Living and travel expenses of persons performing service, except as specifically included within the terms of specific warranty.
4. The premium costs for overtime labor requested by the owner.
5. All parts transportation costs.

All warranty claims must be submitted to a Baldor Generator repair facility prior to the expiration of the warranty period. Baldor Generators shall have no responsibility or liability for any defect, latent or otherwise, discovered after the expiration of the warranty period provided herein. Extended warranties are available for certain Baldor products. These warranties are described in Baldor's catalog and other sales literature. Extended warranties are subject to the terms and conditions of this Limited Warranty as modified by the additional terms of the extended warranty.

### **Limitations:**

Baldor Generators is not responsible for the repair of generators required because of normal wear, accident, misuse, abuse, improper installation, lack of maintenance, unauthorized modifications or improper storage.

**Normal Wear:** This warranty will not cover repair where normal use has exhausted the life of a part or generator. It should be remembered that the service life of any generator is dependent on the care it receives and the conditions under which it has to operate. Some applications are very often used in dusty or dirty conditions, which can cause what appears to be excessive wear. Such wear, when caused by dirt, dust, grit or other abrasive material, which has entered the generator because of improper maintenance, is not covered by Warranty.

For all product lines, the engine manufacturer warrants engine systems. Contact Baldor Generators for current engine warranties.



3815 Oregon Street • Oshkosh, Wisconsin 54902  
Phone: (920) 236-4200 • 800-872-7697 • Fax: (920) 236-4219  
[www.baldor.com](http://www.baldor.com)



# **!! WARNING !!**

**CALIFORNIA PROPOSITION 65 WARNING**  
Engine exhaust from this product contains chemicals known to the state of California to cause cancer, birth defects, and other reproductive harm.

# **!! WARNING !!**

**CALIFORNIA PROPOSITION 65 WARNING**  
Diesel engine exhaust and some constituents are known to the state of California to cause cancer, birth defects, and other reproductive harm.

Service is just a phone call away:

800-872-7697

[www.baldor.com/products/generators.asp](http://www.baldor.com/products/generators.asp)

**BALDOR**  
**GENERATORS**

**3815 Oregon Street Oshkosh WI 54902**  
**Phone: (920) 236-4200 Fax: (920) 236-4219**