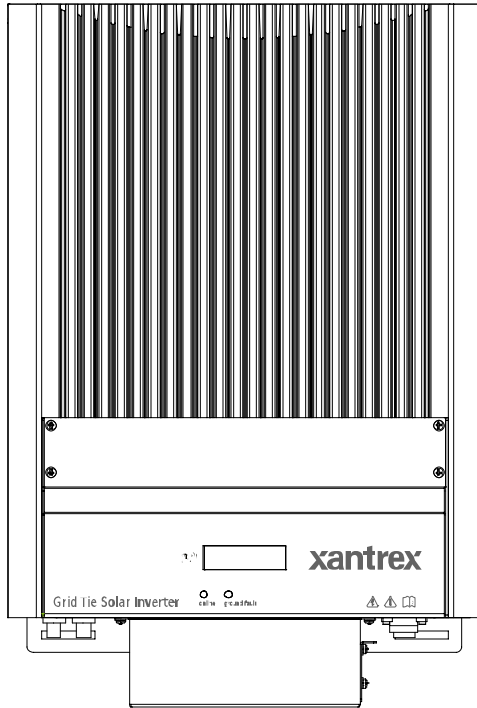


Smart choice for power

**xantrex**



GT 2.5-DE  
GT 3.8-DE  
GT 2.8-SP  
GT 3.8-SP

**Owner's Manual**

# Xantrex Grid Tie Solar Inverter

[www.xantrex.com](http://www.xantrex.com)



# Xantrex Grid Tie Solar Inverter

## Owner's Manual

## **About Xantrex**

Xantrex Technology Inc. is a world-leading supplier of advanced power electronics and controls with products from 50 watt mobile units to one MW utility-scale systems for wind, solar, batteries, fuel cells, microturbines, and backup power applications in both grid-connected and stand-alone systems. Xantrex products include inverters, battery chargers, programmable power supplies, and variable speed drives that convert, supply, control, clean, and distribute electrical power.

## **Trademarks**

Xantrex Grid Tie Solar Inverter is a trademark of Xantrex International. Xantrex and Xanbus are registered trademarks of Xantrex International.

Other trademarks, registered trademarks, and product names are the property of their respective owners and are used herein for identification purposes only.

## **Notice of Copyright**

*Xantrex Grid Tie Solar Inverter Owner's Manual* © August 2005 Xantrex International. All rights reserved.

## **Disclaimer**

UNLESS SPECIFICALLY AGREED TO IN WRITING, XANTREX TECHNOLOGY INC. ("XANTREX")

(a) MAKES NO WARRANTY AS TO THE ACCURACY, SUFFICIENCY OR SUITABILITY OF ANY TECHNICAL OR OTHER INFORMATION PROVIDED IN ITS MANUALS OR OTHER DOCUMENTATION.

(b) ASSUMES NO RESPONSIBILITY OR LIABILITY FOR LOSS OR DAMAGE, WHETHER DIRECT, INDIRECT, CONSEQUENTIAL OR INCIDENTAL, WHICH MIGHT ARISE OUT OF THE USE OF SUCH INFORMATION. THE USE OF ANY SUCH INFORMATION WILL BE ENTIRELY AT THE USER'S RISK.

## **Date and Revision**

August 2005 Revision A

## **Part Number**

975-0253-01-01

## **Contact Information**

Telephone: 34 93 470 5330

Fax: 34 93 473 6093

Email: support.europe@xantrex.com

Web: www.xantrex.com

# About This Manual

The purpose of this Owner's Manual is to provide explanations and procedures for installing, operating, maintaining, and troubleshooting the Xantrex Grid Tie Solar Inverter™.

## Scope

The manual provides safety guidelines, detailed planning and setup information. It provides procedures for installing the inverter and information about operating and troubleshooting the unit. It does not provide details about particular brands of photovoltaic (PV) panels. You need to consult individual PV manufacturers for this information.

## Audience

The manual is intended for anyone who needs to install and operate the GT Inverter. Installers should be fully educated on the hazards of installing electrical equipment. Certified electricians or technicians are recommended.

## Organization

This manual is organized into 6 chapters and an appendix.

Chapter 1, "Introduction", contains information about the features and functions of the Xantrex Grid Tie Solar Inverter.

Chapter 2, "Installation", provides information about planning for and installing the GT Inverter. It contains information to help you plan wire routes, ensure your PV array provides necessary power, and find a suitable location for installation.

Chapter 3, "Wiring the Inverter", provides procedures for making DC and AC wiring connections for single and multiple inverter installations. This chapter also includes information about communications wiring and using GT-View monitoring software.

Chapter 4, "Starting the Inverter", contains information on starting up the Xantrex Grid Tie Solar Inverter and performing a functional test.

Chapter 5, "Monitoring the Inverter", contains information for understanding the LCD screens and the LED indicators.

Chapter 6, "Maintenance and Troubleshooting", contains information about how to provide general maintenance for the Xantrex Grid Tie Solar Inverter. It also provides information about troubleshooting the unit.

Appendix A, "Specifications", contains information about the electrical and environmental specifications of the Xantrex Grid Tie Solar Inverter.

## Conventions Used

The following conventions are used in this guide.



### WARNING

Warnings identify conditions that could result in personal injury or loss of life.

---



### CAUTION

Cautions identify conditions or practices that could result in damage to the unit or other equipment.

---







**Important:** These notes describe things that are important for you to know, but not as serious as a caution or warning.

---

## Abbreviations Used

GT	Grid Tie
LCD	Liquid Crystal Display
LED	Light Emitting Diode
MPPT	Maximum Power Point Tracking
$P_{MAX}$	Maximum Output Power
$P_{NOM}$	Nominal Output Power
PC	Personal Computer
PV	Photovoltaic
STC	Standard Test Condition
V <sub>ac</sub>	Volts AC
V <sub>dc</sub>	Volts DC
V <sub>MP</sub>	Voltage at Maximum Power
V <sub>OC</sub>	Open Circuit Voltage
V <sub>SC</sub>	Short Circuit Voltage
U <sub>PV</sub>	PV Array DC Voltage

## Symbols Used

	Alternating Current (AC)
	Direct Current (DC)
	In this guide: Important information, warnings, or cautions. On the product: Important information, warnings or cautions with further explanation in the product guide.
	Caution, risk of electric shock.
 30 min.	<b>FOR AUTHORIZED SERVICE PERSONNEL:</b> Before opening cover, disconnect DC and AC power and wait 30 minutes to allow internal voltages to reach safe levels. <b>NOTE:</b> there are no user-serviceable parts inside.
	Refer to the operating instructions.

## Related Information

You can find more information about Xantrex Technology Inc. as well as its products and services at [www.xantrex.com](http://www.xantrex.com)





# Important Safety Instructions

SAVE THESE INSTRUCTIONS—This manual contains important instructions that shall be followed during the installation and maintenance of the Xantrex Grid Tie Solar Inverter.

1. Before installing and using the GT Inverter, read all instructions and cautionary markings on the inverter and in all appropriate sections of this guide.
2. To reduce risk of fire hazard, do not cover or obstruct the heat sink.
3. Observe the clearance recommendations as described on page 2–12. Do not install the GT Inverter in a zero-clearance or non-ventilated compartment. Overheating may result.
4. Use only accessories recommended or sold by the manufacturer. Doing otherwise may result in a risk of fire, electric shock, or injury to persons.
5. To avoid a risk of fire and electric shock, make sure that existing wiring is in good condition and that wire is not undersized. Do not operate the GT Inverter with damaged or substandard wiring.
6. Do not operate the GT Inverter if it has received a sharp blow, been dropped, or otherwise damaged in any way. If the GT Inverter is damaged, see the Warranty section.
7. Do not disassemble the GT Inverter. It contains no user-serviceable parts. See Warranty for instructions on obtaining service. Attempting to service the GT Inverter yourself may result in a risk of electrical shock or fire and will void the factory warranty.
8. To reduce the risk of electrical shock, disconnect both AC and DC power from the GT Inverter before attempting any maintenance or cleaning or working on any circuits connected to the inverter. Turning off controls will not reduce this risk. Internal capacitors remain charged for up to 30 minutes after disconnecting all sources of power.
9. The GT Inverter must be provided with an equipment-grounding conductor connected to the AC ground.

## Regulatory Compliance

The GT Inverter is CE Marked for the following Directives and standards:

- Low Voltage Directive 73/23/EEC, per EN50178 “Electronic Equipment for Use in Power Installations”.
- EMC Directive 89/336/EEC, per:
  - EN61000-6-3 “Emission Standard for Residential, Commercial, and Light-Industrial Environments”
  - EN61000-6-1 “Immunity for Residential, Commercial, and Light-Industrial Environments”
  - EN61000-3-2 “Limits for Harmonic Current Emissions”
  - EN61000-3-3 “Limitations of Voltage Fluctuations and Flicker”.

The GT Inverter is designed for utility interactive operation. It has complete on-board over-current, over-temperature and anti-islanding protection. It monitors voltage and frequency of the utility grid and automatically stops supplying power whenever conditions on the utility grid deviate from standard levels (see Specifications).

The GT Inverter is equipped with a high frequency transformer that assures galvanic isolation between the DC side and the utility power grid.

German models have an integrated ENS and comply with the VDE 0126 regulations for supplementary grid connection, especially to the “regulation for the supplementary grid feeding with photovoltaic electricity producing facilities to the low voltage power supply grid” issued by the VDEW.

Spanish models comply with Royal Decree 1663/2000, dated on September 29, regarding the connection of photovoltaic installations to the low tension network.

# Contents

<b>Important Safety Instructions</b> .....	vii
Regulatory Compliance	viii
<b>1 Introduction</b>	
About the Xantrex Grid Tie Solar Inverter	1-2
Standard Features	1-3
<b>2 Installation</b>	
Installation Options	2-2
Single Inverter Installation	2-2
Multiple Inverter Installations	2-2
Planning the Installation	2-2
Inverter Location	2-4
PV Array Requirements	2-5
Grounding Requirements	2-7
Routing the Wires	2-8
Preparing for the Installation	2-9
Wiring	2-9
AC Circuit Breaker Requirements	2-9
AC and DC Disconnects	2-9
Mounting the Inverter	2-10
Overview	2-10
Tools and Materials Needed	2-11
Dimensions	2-11
Installing the Mounting Bracket	2-12
Mounting the Inverter on the Bracket	2-16
<b>3 Wiring the Inverter</b>	
Connecting the DC Wiring	3-2
Equipment Needed	3-2
Connecting the PV Array	3-3
Connecting the AC Wiring	3-5
Making AC Connections Using Quick Connects	3-5
Connecting Multiple Inverters	3-7
Communications Wiring for Multiple Inverters	3-8
Xanbus Network Technology	3-8
Guidelines for Routing the Network Cables	3-11

Connecting Network Cable between Inverters - - - - -	3-12
Communications Wiring for Monitoring a Single Inverter - - - - -	3-12
<b>4 Starting the Inverter</b>	
Commissioning Procedure - - - - -	4-2
Disconnect Test - - - - -	4-3
<b>5 Monitoring the Inverter</b>	
Monitoring the Front Panel Display - - - - -	5-2
Front Panel Display Screens and What They Mean - - - - -	5-3
Startup Mode - - - - -	5-3
Normal Operation Mode - - - - -	5-3
Offline Mode - - - - -	5-5
Fault Mode - - - - -	5-7
Special Screens - - - - -	5-8
Custom Screens - - - - -	5-9
Status Indicator Lights - - - - -	5-10
<b>6 Maintenance and Troubleshooting</b>	
Factors Affecting GT Inverter Performance - - - - -	6-2
PV Array Factors - - - - -	6-2
Other Factors - - - - -	6-3
Performing General Maintenance - - - - -	6-3
Identifying Error/Fault Conditions and Solutions - - - - -	6-4
<b>A Specifications</b>	
Electrical Specifications - - - - -	A-2
Input - - - - -	A-2
Output - - - - -	A-2
Adjustable Disconnect Settings - - - - -	A-3
Efficiency - - - - -	A-5
Environmental Specifications - - - - -	A-6
User Display - - - - -	A-6
Mechanical Specifications - - - - -	A-6
<b>Warranty and Return Information</b> - - - - -	WA-1
<b>Index</b> - - - - -	IX-1

# Figures

Figure 1-1	Basic System Overview	1-2
Figure 1-2	Main Features of the GT Inverter	1-3
Figure 2-1	Installation Options Overview	2-3
Figure 2-2	GT Inverter mounting orientation	2-5
Figure 2-3	Installation Overview	2-10
Figure 2-4	GT Inverter Dimensions	2-11
Figure 2-5	Mounting Bracket and GT Inverter	2-12
Figure 2-6	Examples of Mounting on a Pole or Rails	2-14
Figure 2-7	Installing the Mounting Bracket using Plywood Support	2-15
Figure 2-8	Proper Placement of the Inverter on the Mounting Bracket	2-16
Figure 3-1	PV Quick Connect Location	3-2
Figure 3-2	DC Connections for a Two-String PV Array	3-4
Figure 3-3	AC Connector (female)	3-6
Figure 3-4	AC Connector Terminals	3-6
Figure 3-5	Improper multiple inverter connections	3-7
Figure 3-6	Daisy Chain Layout	3-8
Figure 3-7	Male Network Terminator	3-9
Figure 3-8	Location of Xanbus RJ45 Ports	3-9
Figure 3-9	RJ45 Connector	3-10
Figure 3-10	Replacing the Comm Port Cover	3-12
Figure 3-11	GT-View Display	3-13
Figure 3-12	GT-View Options	3-14
Figure 5-1	Front Panel LCD Location	5-2
Figure 5-2	Location of Status Indicator Lights	5-10
Figure A-1	Output Power vs. Ambient Temperature	A-4
Figure A-2	Typical Efficiency	A-5



# Tables

Table 2-1	MPPT Operational Window -----	2-6
Table 2-2	Inverter Clearance Requirements-----	2-12
Table 3-1	T568A Standard Wiring-----	3-10
Table 3-2	Network Components and Part Numbers-----	3-11
Table 5-1	Startup Screens on GT Inverter Front Panel Display-----	5-3
Table 5-2	Normal Operation Default Screen-----	5-4
Table 5-3	Normal Operation Screens for All GT Inverters-----	5-4
Table 5-4	Additional Normal Operation Screens for Each GT Inverter in a Multiple Unit System-----	5-5
Table 5-5	Offline Mode Default Display-----	5-5
Table 5-6	Offline Mode Screens for All GT Inverters-----	5-6
Table 5-7	Additional Offline Mode Screens for Each GT Inverter in a Multiple Unit System-----	5-6
Table 5-8	Fault Message Screens-----	5-7
Table 5-9	Additional Fault Mode Screens-----	5-8
Table 5-10	Special Message Screens-----	5-8
Table 5-11	Status Indicator LEDs-----	5-10
Table 6-1	Troubleshooting the GT Inverter-----	6-4





# 1

## Introduction

Chapter 1, “Introduction”, contains information about the features and functions of the Xantrex Grid Tie Solar Inverter.

## About the Xantrex Grid Tie Solar Inverter

The Xantrex Grid Tie Solar Inverter (GT Inverter) is designed to convert solar electric (photovoltaic or PV) power into utility-grade electricity that can be used by the home or sold to the local power company.

Installing the GT Inverter consists of mounting it to the wall and connecting the DC input to a PV array and the AC output to the utility. See Figure 1-1 for a simple diagram of a typical installation.

In order to operate, the GT Inverter must have grid power available and connected. It will not provide backup power if the AC grid fails.

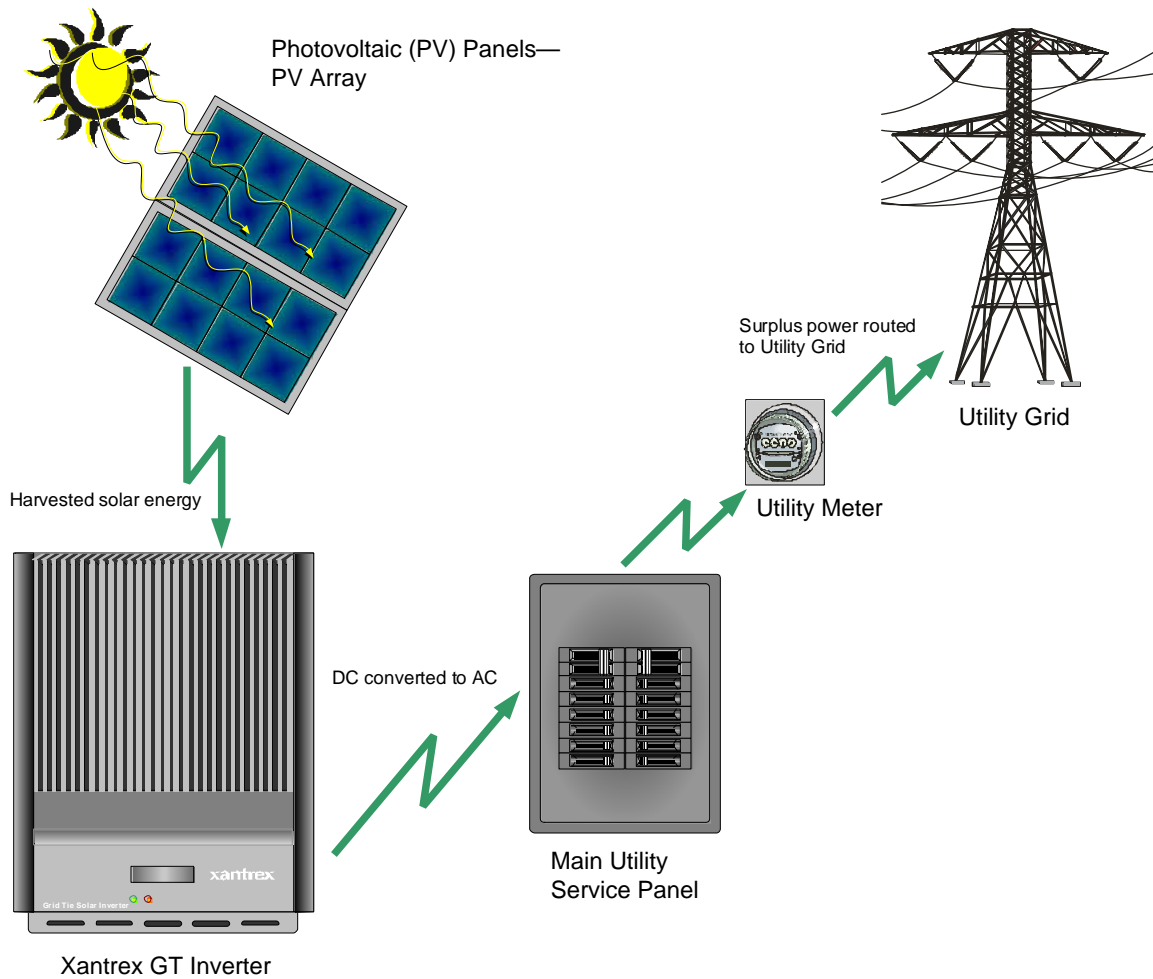


Figure 1-1 Basic System Overview

PV compatibility	The GT Inverter is designed to take advantage of solar modules configured as high voltage PV string arrays—single crystalline, poly crystalline, or thin film—with a 195 to 550 Vdc input voltage Maximum Power Point range.
Maximum Power Point Tracking (MPPT)	The GT Inverter uses Xantrex proprietary Maximum Power Point Tracking (MPPT) technology to harvest the maximum amount of energy from the solar array. MPPT learns your array’s specific characteristics, maximizing its output at all times.
High efficiency	The high-frequency, solid-state design of the GT Inverter is extremely efficient—up to 95%.
Expandable	Multiple GT Inverters may be networked together for increased net metering capacity or future system growth.
Communications protocol	The GT Inverter uses the Xanbus® communications protocol, enabling it to communicate with multiple units connected within the system. For more information, see “Xanbus Network Technology” on page 3–8.

## Standard Features

The GT Inverter has the following standard features:

- Sealed inverter (IP54) and external heat sink to protect power electronic components
- Quick-connect AC and DC connections
- Liquid Crystal Display (LCD) to provide easy-to-read system status and daily cumulative energy production information
- Two LED indicator lights to provide status and ground fault indication.

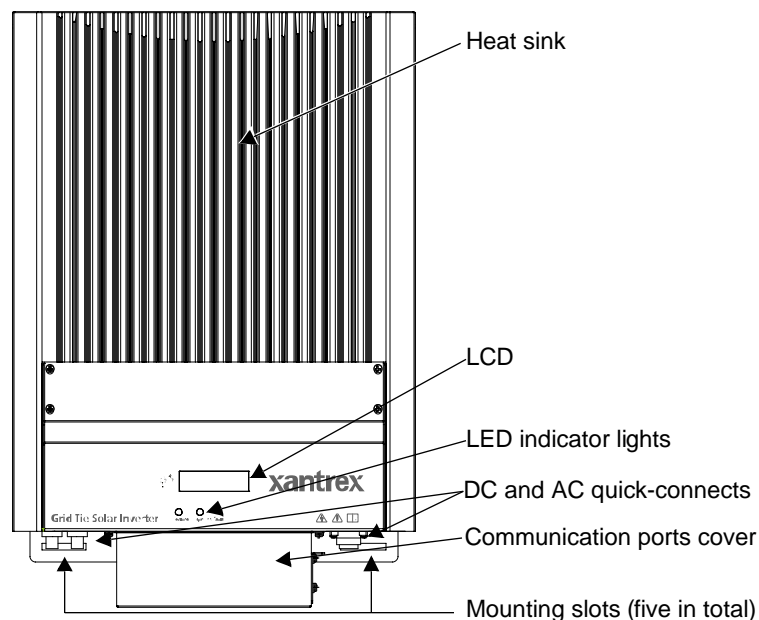


Figure 1-2 Main Features of the GT Inverter



# 2

## Installation

Chapter 2, “Installation”, provides information about planning for and installing the GT Inverter. It contains information to help you plan wire routes, ensure your PV array provides necessary power, and find a suitable location for installation.

The topics in this chapter are organized as follows:

- “Installation Options” on page 2-2
- “Planning the Installation” on page 2-2
- “Preparing for the Installation” on page 2-9
- “Mounting the Inverter” on page 2-10.

## Installation Options

The GT Inverter may be installed as a single inverter for a single PV array of one or two PV strings, or in a multiple inverter configuration for multiple PV arrays (see Figure 2-1 for diagrams of both options).

### Single Inverter Installation

In this configuration, a single inverter collects the harvested solar energy and routes the power to the main utility service panel and the utility grid.

### Multiple Inverter Installations

If multiple inverters are used, each inverter must be wired to an independent PV array. In this configuration, each inverter collects the harvested solar energy from a separate PV array and routes the power to the main utility service panel and the utility grid.

Communications between inverters is optional, but can be enabled by installing communications cabling to the inverter RJ45 ports. See “Connecting Network Cable between Inverters” on page 3–12.

## Planning the Installation

The following issues need to be considered when planning for an installation using the GT Inverter. See the specified sections for more information.

- “Inverter Location” on page 2–4
- “PV Array Requirements” on page 2–5
- “Grounding Requirements” on page 2–7
- “Routing the Wires” on page 2–8.

Ensure that you have obtained all permits required by local authorities or utilities before commencing installation.

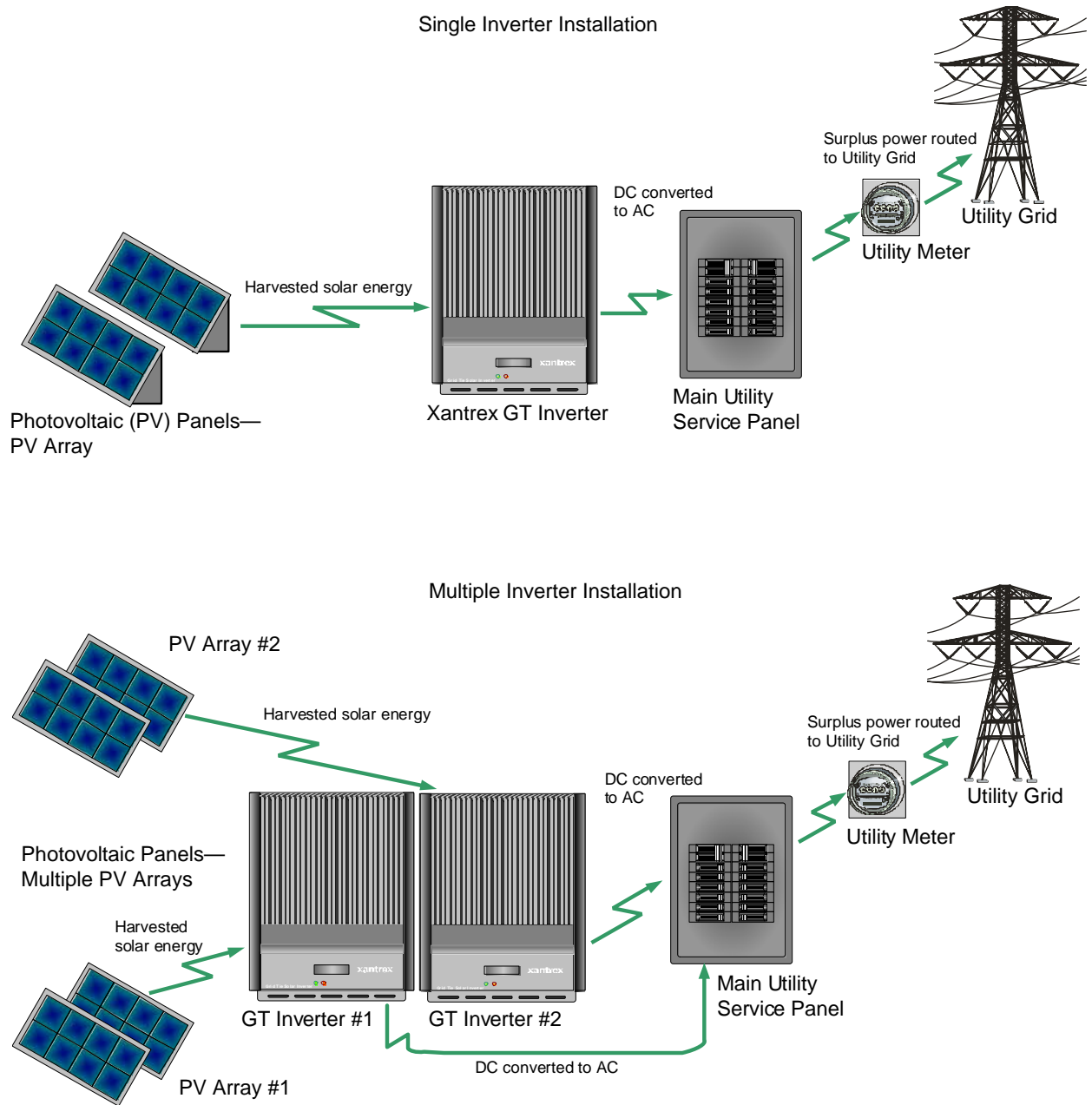


Figure 2-1 Installation Options Overview

## Inverter Location

---



### **WARNING: Burn hazard**

Do not install in a location where people can accidentally come into contact with the front of the inverter. High temperatures can be present on the face of the inverter, causing a potential burn hazard.

In extreme conditions, the GT Inverter chassis can reach temperatures that can cause skin burns if accidentally touched. Ensure that the GT Inverter is located away from normal traffic areas.

---

Inverter failure due to improper installation will void the inverter warranty. Consider the following when determining where to install the inverter.

- |                             |   |
|-----------------------------|---|
| <b>Fire Safety</b>          | <ul style="list-style-type: none"><li>• Do not install <i>anywhere</i> near combustible or flammable materials such as wooden cabinets and furniture, or stored fuels and solvents.</li></ul>   |
| <b>Indoor/<br/>Outdoor</b>  | <ul style="list-style-type: none"><li>• The GT Inverter can be mounted indoors or outdoors. When installed outdoors, the GT Inverter must be mounted in a vertical orientation.</li><li>• In outdoor installations the GT Inverter should be located away from lawn sprinklers and other sources of spray.</li></ul>  |
| <b>Orientation</b>          | <ul style="list-style-type: none"><li>• The GT Inverter must be mounted vertically (with DC and AC connectors facing down) on a wall or pole. See Figure 2-2.</li></ul>   |
| <b>Temperature</b>          | <ul style="list-style-type: none"><li>• Ensure that the GT Inverter is mounted in a location where the ambient temperature range is -25 to 65 °C (-13 to 149 °F).</li><li>• At extreme hot or cold temperatures, the front panel LCD may not function normally. At higher temperatures, the unit may derate power. See “Environmental Specifications” on page A-6 and “Output Power vs. Ambient Temperature” on page A-4.</li></ul> |
| <b>Ground<br/>Clearance</b> | <ul style="list-style-type: none"><li>• Outdoors, the GT Inverter requires at least 100 cm (39 inches) of clearance between the bottom of the unit and the ground. This clearance helps prevent water from splashing onto the bottom of the unit.</li><li>• Indoors, it is recommended to use the same clearance to ensure visibility of the LCD.</li></ul>   |
| <b>Distance</b>             | <ul style="list-style-type: none"><li>• To minimize copper losses, ensure that wire lengths between the PV array and the GT Inverter and between the inverter and the Main Utility Service Panel are kept to a minimum.</li><li>• Maximum distances will depend on wire gauges used and PV array output voltages.</li></ul>   |
| <b>Debris free</b>          | <ul style="list-style-type: none"><li>• Excessive debris (such as dust, leaves, and cobwebs) can accumulate on the unit, interfering with wiring connections and ventilation. Do not install in a location where debris can accumulate (such as under a tree).</li></ul>  |



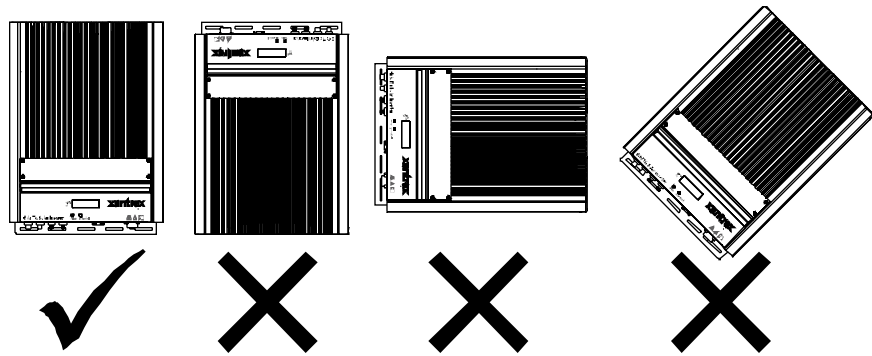


Figure 2-2 GT Inverter mounting orientation

## PV Array Requirements



### WARNING: Shock hazard

Whenever a PV array is exposed to sunlight, a shock hazard exists at the output wires or exposed terminals. To reduce the risk of shock during installation, cover the array with an opaque (dark) material before making any connections.

## General Recommendations

It is important that the PV array is installed correctly to the manufacturer's specifications and to local code requirements.

## Equipment and Installation Recommendations

**Important:** The PV array should be free of shade. This requirement includes even small obstructions such as antennas, chimneys, and power lines. As well, be aware of potential obstructions from growing trees and neighboring buildings. A small amount of shade can have a disproportionately high impact on system performance.

Equipment recommendations

- ***All electrical equipment should be approved for the voltage and current ratings necessary for the application.***
- All wiring should be sized correctly to minimize voltage drop.
- All exposed wires or conduits should be sunlight resistant.
- All required overcurrent protections should be included in the system and accessible for maintenance.

Installation recommendations

- All electrical terminations should be fully tightened, secured, and strain relieved as appropriate.
- All mounting equipment should be installed according to the manufacturer's specifications.
- All wires, conduit, exposed conductors and electrical boxes should be secured and supported according to code requirements.

## Voltage and MPPT Requirements

MPPT operational window

The MPPT software maximizes the output energy of solar arrays as long as the operating voltage is within the MPPT operational window. Ensure that the PV array used in the system operates within the MPPT operational window. Effects of array voltages outside of the MPPT operational window are shown in Table 2-1.

**Table 2-1** MPPT Operational Window

Voltage	Effect of Array Voltage	Inverter Mode
< 195 Vdc	Operating voltage will be shifted to 195 Vdc; the array will not be at its maximum power point	Low power
195 to 550 Vdc	Maximum harvest of solar energy	MPPT window
550 to 600 Vdc	Will not allow maximum harvest of solar energy	Power derating
> 600	Will shut down and may cause damage to the inverter; stops selling surplus energy	Shutdown

Voltage requirements

The maximum power point voltage of a string connected to the GT Inverter should be a minimum of 195 Vdc. If it is less than 195 Vdc, the inverter will continue to operate, but it will regulate the PV voltage to 195 V. Because the array will not be operating at its maximum power point, this may result in lower than expected energy harvest.

Maximum PV Power

The solar array should be sized such that its maximum power output does not exceed the limits of the MPPT operational window (195 to 550 Vdc). See “Guidelines for Matching PV Array Size to Xantrex Grid Tie Solar Inverter Input”.

The array voltage should never exceed 600 V<sub>OC</sub> (open circuit voltage) under any thermal condition.

Likewise, ensure that the I<sub>sc</sub> (short circuit current) rating of the array at any temperature does not exceed the short circuit current rating of the inverter.

---

## Guidelines for Matching PV Array Size to Xantrex Grid Tie Solar Inverter Input

For determining the number of panels required in the PV string (panels connected in series), you must ensure that the following three requirements are met:

1. To avoid damage to the inverter, ensure that the PV array output will never exceed 600 Vdc under any conditions.
2. Do not exceed the maximum array short circuit-current rating marked on the inverter.
3. To achieve maximum energy harvest from your array, ensure that the  $V_{MP}$  (voltage at maximum power) does not drop below 195 Vdc or increase above 550 Vdc under most conditions.

Guidelines to help you meet these requirements:

- Consider the expected  $V_{OC}$  of the string under all possible conditions. The panel manufacturer provides a  $V_{OC}$  rating per panel, but it is usually rated at 25 °C (77 °F). Ensure that the  $V_{OC}$  rating at the coldest ambient temperature does not exceed 600 V<sub>OC</sub>. Panel voltage increases in cold temperatures—the panel manufacturer should be able to provide a coefficient of voltage increase per degree.
- Panel voltage decreases in high temperatures. This will affect the panels'  $V_{MP}$ . Again, the manufacturer's coefficient must be used with the highest expected temperature to determine the minimum  $V_{MP}$ .

Once you know the specifications of your panels, all these factors will help determine the maximum and minimum number of panels that can be used.

Visit the **Support** page at [www.xantrex.com](http://www.xantrex.com) to use an online PV array sizing tool.

## Grounding Requirements



### **WARNING: Shock hazard**

The GT Inverter must be grounded by connection to a grounded permanent wiring system.

---

### AC Grounding

AC grounding is governed by local codes. Consult the local utility for specific grounding requirements.

### DC Grounding

The GT Inverter is designed to work with ungrounded PV arrays.

## Lightning Protection

Reduce the risk of lightning damage by using a single-point grounding system. In this system, all ground lines terminate at the same point. This point normally is the main utility ground installed by the utility company to provide a ground for the house wiring. This ground usually consists of a copper rod driven 1.5 to 2.5 meters (6 to 8 feet) into the earth.

## Routing the Wires

Typical configurations

Determine all wire routes to and from the GT Inverter. Typical routing configurations include:

- AC wiring from the GT Inverter to the main utility service panel
- DC input wiring from the PV array to the GT Inverter

All wiring and installation methods should conform to applicable electrical and building codes.

For all installations, local utilities may have additional requirements.



### **WARNING: Shock hazard**

Check for existing electrical or plumbing prior to drilling holes in the walls.

---

---

## Preparing for the Installation

Ensure your local utility is consulted for any requirements for connecting to or returning power to the grid. Obtain all permits necessary to complete the installation. Consult your local and national electrical codes for more information.

---

**Important:** In this manual “wiring” and “wires” are used in reference to both AC and DC wiring/cabling and wires/cables.

---

### Wiring

Wire size and length will be determined by the location of each component and their relative distance to each other. Wire sizes may also be affected by whether or not conduit is used.

---

**Important:** Wire size should be based on the maximum power rating of the inverter. Ensure that wiring is not undersized. Undersized wiring can result in significant power losses and reduction in system efficiency.

---

### AC Circuit Breaker Requirements

The main utility service panel must dedicate a double pole breaker for each inverter installed. This breaker must be capable of handling the rated maximum output voltage and current of the inverter (see “Electrical Specifications” on page A-2).

### AC and DC Disconnects

Depending on the installation, external AC and/or DC disconnects may be required, and they may need to be in a location easily accessible to utility or fire personnel. Consult local codes and authorities for additional information.



#### **WARNING: Shock hazard**

Never connect or disconnect the PV modules from the GT Inverter under load (by pulling the PV quick connects before disconnecting the grid). Always disconnect the GT Inverter from the grid first.

---

# Mounting the Inverter

## Overview



### WARNING: Fire, shock and energy hazards

Before installing the GT Inverter, read all instructions and cautionary markings located in this manual, on the PV array, and on the main service panel.

General installation steps

Installing of the GT Inverter includes these main steps:

1. Mounting the GT Inverter and installing accessories (this chapter)
2. Making the DC connections from the PV array to the GT Inverter (“Connecting the DC Wiring” on page 3–2)
3. Making the AC connections from the GT Inverter to the main utility service panel (“Connecting the AC Wiring” on page 3–5)

Figure 2-3 summarizes these steps.

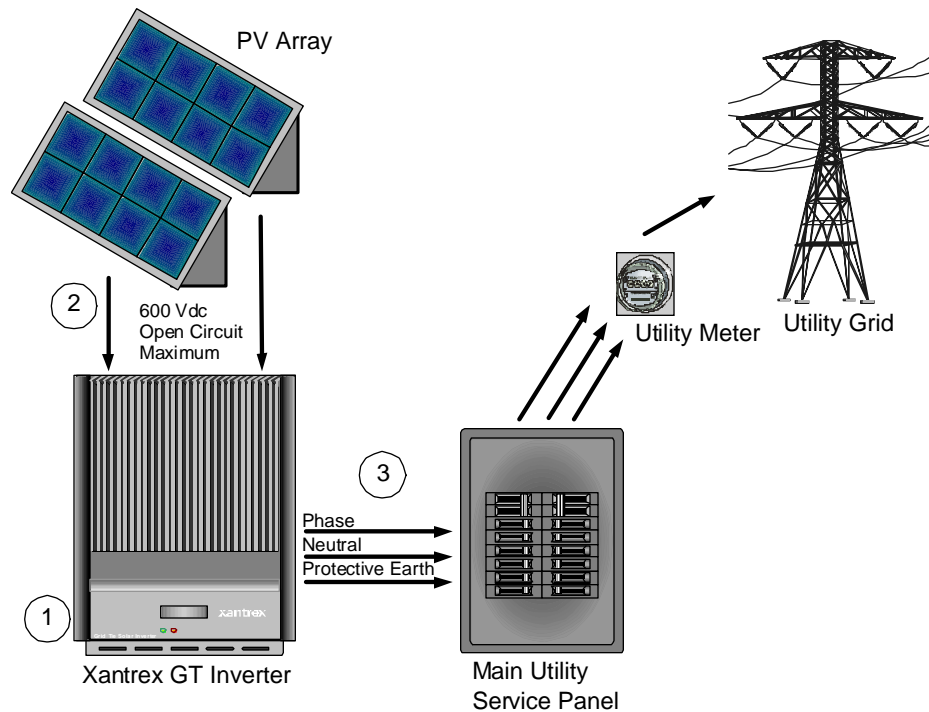


Figure 2-3 Installation Overview

This chapter describes the first step: mounting the inverter and installing accessories.

#### Mounting steps

Instructions for mounting the GT Inverter are described in the following sections:

- “Installing the Mounting Bracket” on page 2–12
- “Mounting the Inverter on the Bracket” on page 2–16.

### Tools and Materials Needed

- Assorted screwdrivers, drill, etc.
- Level
- Mounting support material, such as plywood or poles
- Wood screws, anchors for screws, depending on mounting surface.

### Dimensions

The dimensions of the inverter are shown in Figure 2-4.

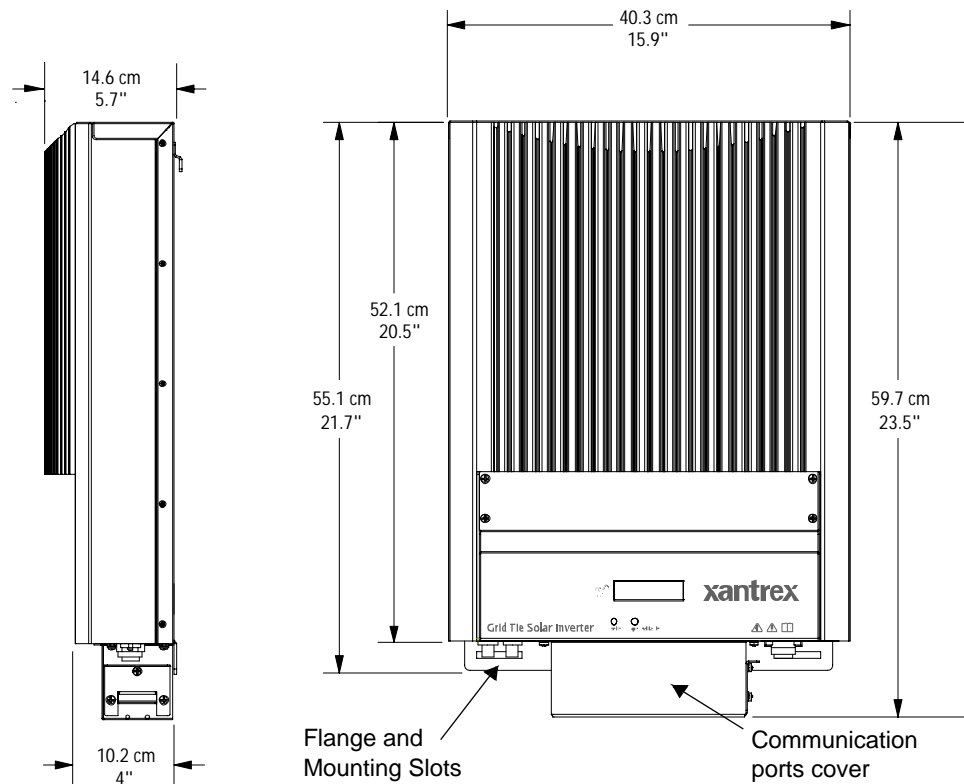


Figure 2-4 GT Inverter Dimensions

## Installing the Mounting Bracket

The mounting bracket for the GT Inverter allows the unit to be easily mounted and removed for servicing. It has one hook that matches a corresponding hook on the back side of the inverter.

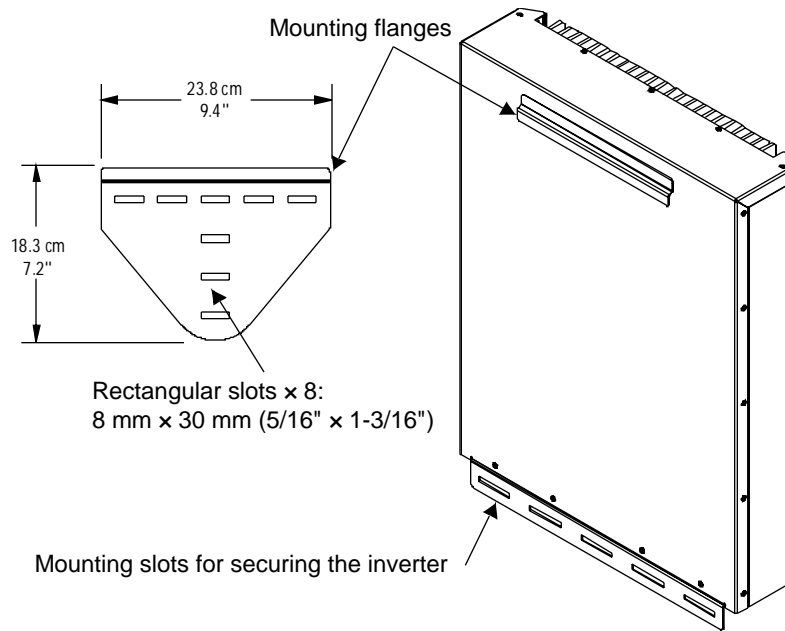


Figure 2-5 Mounting Bracket and GT Inverter

### Clearance Requirements

For optimal and safe operation, ensure there is adequate clearance around the inverter. The minimum clearance recommendations in Table 2-2 assume a vertical mounting. If clearances are less than these recommendations are used, additional power reduction may occur at high ambient temperatures.

Table 2-2 Inverter Clearance Requirements

Location	Minimum Clearance
Above	30 cm (12 inches)
Below:	Outdoors:
• Inverter	• 100 cm (39 inches)
• Bracket	• 130 cm (51 inches)
	Indoors: the same clearances are recommended but not required.
In front	Sufficient room to allow for easy access to read the display and to prevent accidental contact with hot surface.
On sides	Units can be mounted side by side with no clearance between them, but 15 cm (6 inches) of clearance around the outermost two units is recommended. In hot climates, some clearance between units may be needed to prevent thermal derating.



**WARNING: Shock hazard**

Before drilling holes to mount the GT Inverter, ensure there are no electrical wires or plumbing in this area.

**WARNING: Personal injury**

The GT Inverter weighs approximately 19 kg (41 lb). Always use proper lifting techniques during installation to prevent personal injury.

**WARNING: Explosion hazard**

Do not store combustible or flammable materials *anywhere* near the inverter.

## Surfaces for Mounting

The GT Inverter weighs approximately 19 kg (41 lb). The supporting surface must be strong enough to handle 75 kg (160 lb). If the supporting surface is not strong enough to handle that weight, then supporting material such as a sheet of plywood can be used to enhance the strength of the mounting surface.

The GT Inverter can be mounted to a vertical surface such as wallboard, wood siding, concrete wall or pole assembly.

Mounting on poles or rails

- See “Mounting on Poles or Rails” on page 2–14. Ensure the bottom of the unit is a minimum of 100 cm (39 inches) from the ground if mounted outdoors.

Mounting to wallboard with support

- Installation onto wallboard requires either the use of a supporting material such as plywood or securing the mounting screws to supporting wall studs. Use at least two screws and anchors to secure the unit to the supporting material.

Mounting to siding using wall studs

- If mounting to exterior siding using a wall stud for support, the plywood backing will not be needed. Use at least two lag screws to secure the unit to the supporting material. Ensure the screws enter the stud at least 4 cm (1.5 inches) to adequately support the weight of the unit. After securing the bracket, the screws or bolts and washers should protrude no more than 6 mm (1/4 inch) from the bracket surface.

Mounting to concrete surface

- If mounting the unit on a concrete surface using anchors with no supporting material, use four screws and anchors, instead of two, to adequately secure the unit and distribute the weight.

---

**Important:** Other than the mounting bracket, no mounting hardware is supplied with the GT Inverter. It is recommended to use 6 mm (1/4 inch) diameter fasteners. However, because mounting surfaces can vary, installers must select appropriate hardware for each installation.

---

**Important:** Local codes may impose additional mounting requirements in earthquake or other high-risk areas.

---

## Mounting on Poles or Rails

### To mount the unit using poles:

1. Ensure that poles or rails are securely assembled in place. If using horizontal rails, two rails are required: one for the mounting bracket and another for securing the bottom edge of the inverter (see Figure 2-6).
2. Connect the mounting bracket vertically to the pole or rail:
  - Be sure to use at least two bolts to secure the bracket to the support.
  - Position the lower edge of the bracket a minimum of 130 cm (51 inches) above the floor or ground.
  - Position the top edge of the bracket a minimum of 34 cm (13.5 inches) below any ceiling or roof.
3. If using a single vertical pole, ensure that the inverter is secure and unable to rotate around the pole.

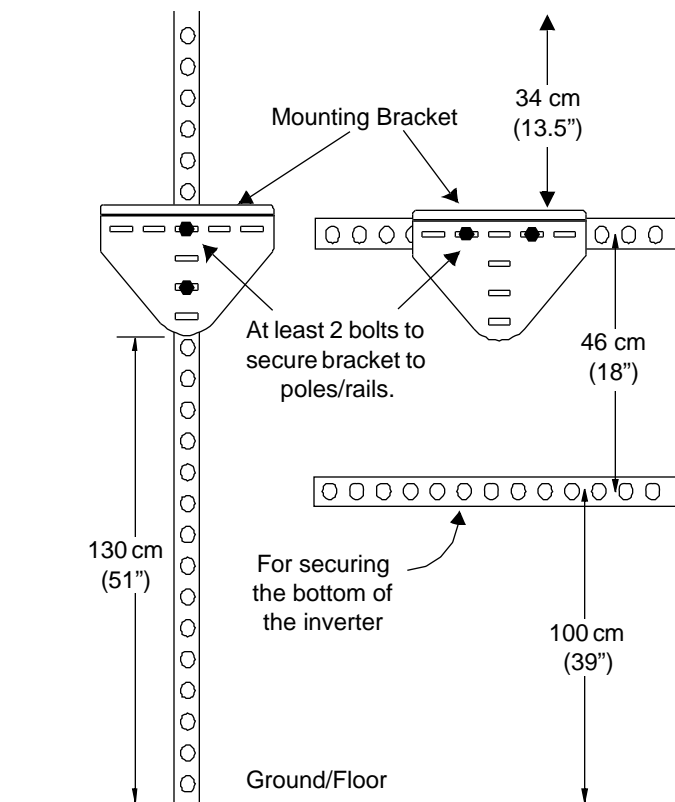
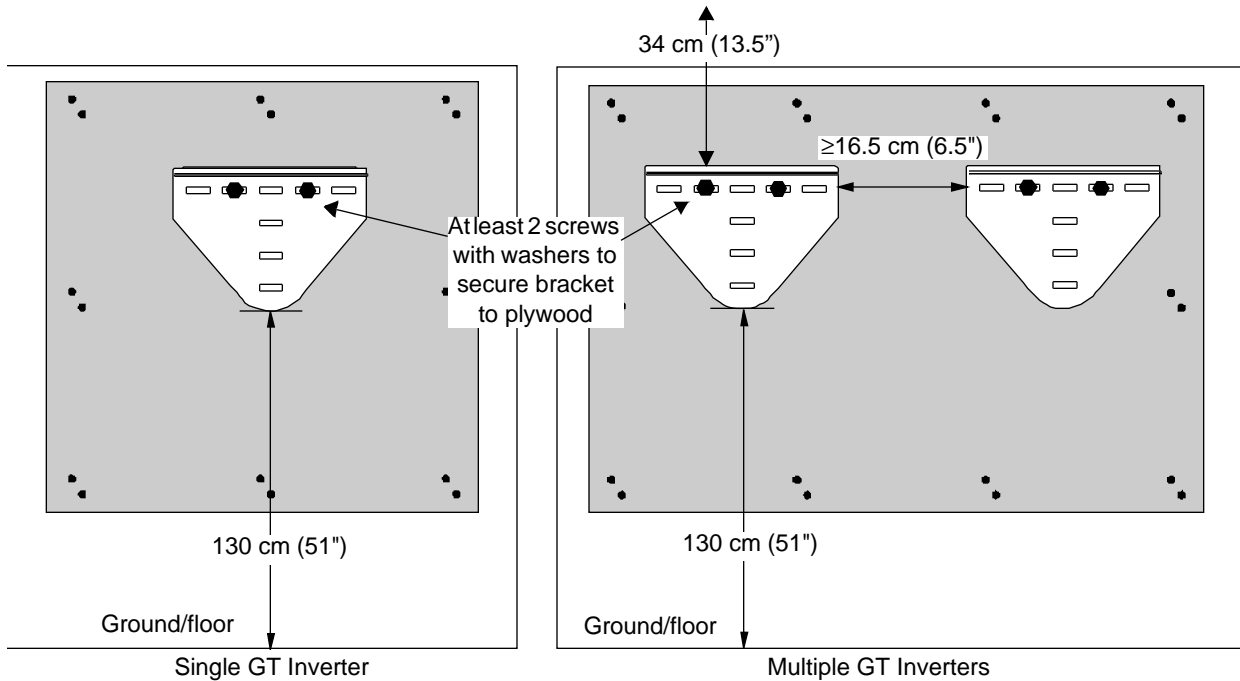


Figure 2-6 Examples of Mounting on a Pole or Rails

## Mounting on Wallboard, Siding or Concrete

### To mount the GT Inverter to wallboard, siding, or concrete:

1. Locate the area where the GT Inverter is to be installed.
2. Install backing support material if required.



**Figure 2-7** Installing the Mounting Bracket using Plywood Support

3. Using a level, place the mounting bracket against the wall surface so that the bottom edge of the bracket is at least 130 cm (51 inches) above the ground. Position the top edge of the bracket a minimum of 34 cm (13.5 inches) below any ceiling or roof. See Figure 2-7.
4. Mark the location for mounting screws if using a wall stud for support. At least four mounting screws and anchors are needed for concrete installations or wallboard installations where no wall studs are available for support.
5. Remove the bracket and drill the holes using an appropriately sized drill bit. Drill appropriately sized holes for screws or anchors.
6. Secure the bracket to the supporting surface using at least two screws and washers.

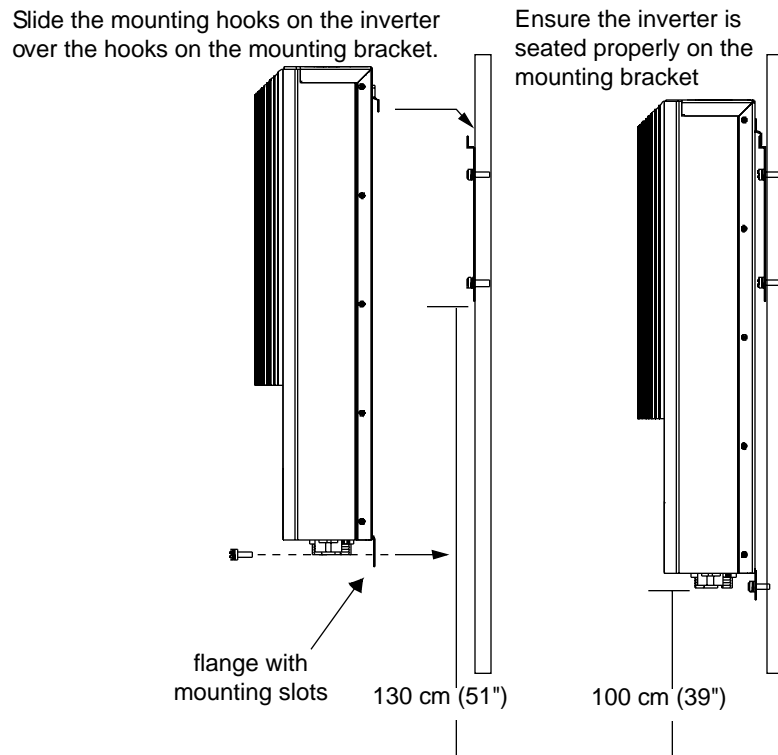
## Mounting the Inverter on the Bracket

Before mounting the inverter, it is recommended to remove the communication ports cover. With the cover removed, you can access all the mounting slots along the bottom flange.

### Mounting a Single Inverter

**To mount the inverter on the mounting bracket:**

1. Place the GT Inverter's mounting hook, located on the back of the enclosure, over the bracket and ensure the inverter is seated properly, as shown in Figure 2-8.
2. After the unit is correctly seated on the bracket hook, locate the mounting slots at the bottom of the unit, and mark the location on the wall for securing screws.
3. Remove the inverter and drill pilot holes in the wallboard or siding for the securing screws.
4. Reinstall the GT Inverter on the bracket and secure the bottom of the unit with appropriate screws or anchors, and tighten.



**Figure 2-8** Proper Placement of the Inverter on the Mounting Bracket

# 3

## Wiring the Inverter

Chapter 3, “Wiring the Inverter”, provides procedures for making DC and AC wiring connections for single and multiple inverter installations. This chapter also includes information about communications wiring and using GT-View monitoring software.

The topics in this chapter are organized as follows:

- “Connecting the DC Wiring” on page 3–2
- “Connecting the AC Wiring” on page 3–5
- “Connecting Multiple Inverters” on page 3–7
- “Communications Wiring for Multiple Inverters” on page 3–8

## Connecting the DC Wiring

The GT Inverter is equipped with four PV quick connects (two positive, two negative) for connecting up to two PV strings.

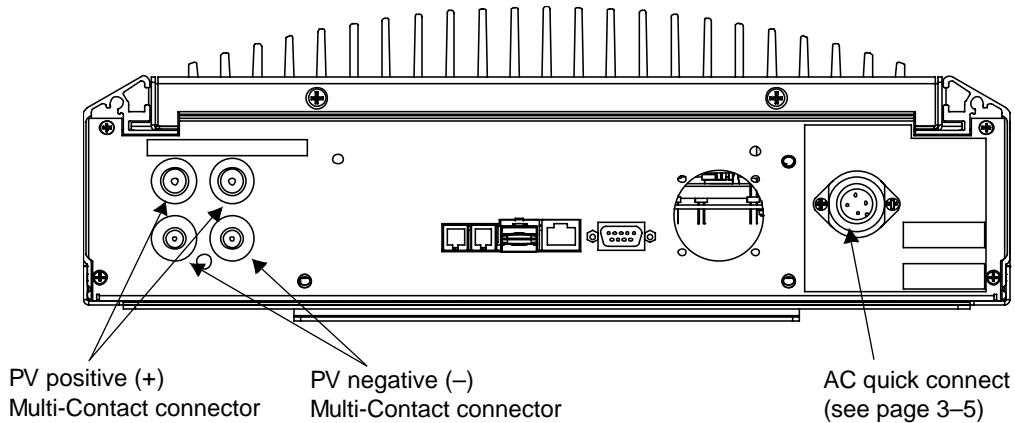


Figure 3-1 PV Quick Connect Location



### WARNING: Shock hazard

Whenever a PV array is exposed to sunlight, a shock hazard exists at the output wires or exposed terminals. Cover the PV arrays with opaque material before commencing any wiring.



### WARNING: Shock hazard

Before wiring the GT Inverter, ensure the **main breaker** in the primary utility breaker box is switched OFF. Switch this breaker ON only after all wiring is completed as instructed in the procedures.



### CAUTION: Equipment damage

Improper wiring may cause permanent damage to the GT Inverter. Take special care to ensure the positive (+) and negative (-) wires from a single array connect to the same inverter.

## Equipment Needed

- Conduit for wire runs and appropriate fittings/bushings
- Wire cutters/wire crimpers/wire strippers
- Digital Voltmeter
- Frequency counter (optional, for troubleshooting).

- Female and male DC cable connectors to mate with the Multi-Contact connectors PV-ADSP3/GWD (positive) and PV-ADBP3/GWD (negative) on the GT Inverter. You will need two connectors (one female and one male) for each PV string (you can connect up to two PV strings to the GT Inverter).

## Connecting the PV Array

The following procedure is illustrated in Figure 3-2. If there will be more than one PV string, label the positive and negative wire pairs appropriately (for example: PV 1, PV 2).

### To wire the PV array to the GT Inverter:

1. If necessary, install DC conduit from the PV string(s) to the GT Inverter.
2. Terminate the wires coming from the PV string(s) with appropriate Multi-Contact connectors.



### CAUTION: Equipment damage

Before connecting the PV array to the inverter, check to ensure correct polarity and that the voltage between the positive (+) and negative (-) is below 600 Vdc ( $U_{PV} \leq 600 \text{ Vdc}$ ).

To check the PV array DC voltage:

1. Uncover the PV arrays and expose them to full sunlight. The sunlight must be intense enough to produce the required output voltage.
2. Measure the PV array open circuit DC voltage across the DC positive (+) and negative (-) terminals. This voltage must be less than 600 Vdc. Voltage over 600 Vdc will damage the inverter.
3. Cover the PV arrays with an opaque material again.

3. Connect the POSITIVE (+) wire from the #1 PV string to a GT Inverter PV positive (+) quick connect.
4. Connect the NEGATIVE (-) wire from the #1 PV string to a GT Inverter PV negative (-) quick connect.
5. If necessary, repeat for the #2 PV string. Double check that the wires are in the proper locations.

If only one PV string connection is used, cover the unused PV quick connects with the seals provided.



### WARNING: Shock hazard

Never connect or disconnect the PV modules from the GT Inverter under load (by pulling the PV quick connects before disconnecting the grid). Always disconnect the GT Inverter from the grid first.

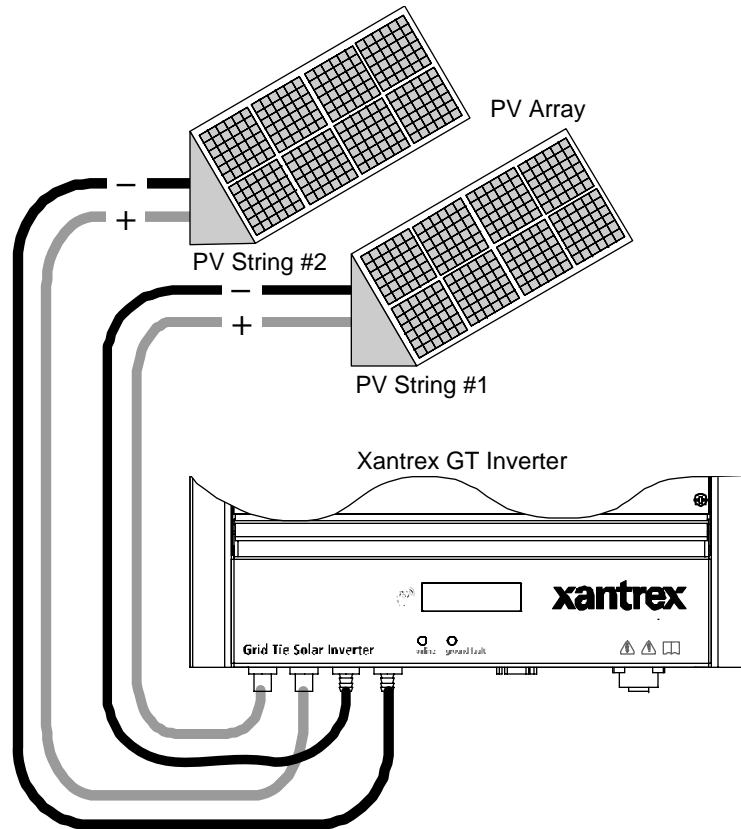


Figure 3-2 DC Connections for a Two-String PV Array

---

**Important:** Depending upon installation and local codes, fusing and/or a combiner box may be required. The installer must provide this equipment.

---



---

## Connecting the AC Wiring

---

**WARNING: Shock hazard**

AC utility wiring to the GT Inverter unit is performed directly at the main breaker panel. This should be done only by a qualified installer or electrician.

---

**WARNING: Shock hazard**

Before wiring the GT Inverter, ensure the **main breaker** in the primary utility breaker box is switched OFF. Switch this breaker ON only after all wiring is completed as instructed in the procedures.

---

The GT Inverter can be connected to a single bi-directional meter, or to dual meters, where one meter indicates power used and the second meter indicates power sold (power supplied back to the utility). Consult the local utility to determine the proper components to install, and obtain any permits required prior to installation.

The GT Inverter must be connected to the utility with three wires—one phase, one neutral, and one protective earth (ground).

### Making AC Connections Using Quick Connects

The GT Inverter is equipped with a quick connect for making AC connections. To make AC connections using the quick connect, you must first prepare the wiring between your utility panel and the GT Inverter.

You will need:

- Wire strippers
- Small (3 mm or less) slot-head screwdriver

### Preparing the wires

The AC wiring from the utility panel must be terminated with a Binder Female cable connector (Binder Series 693 part number 99-4222-14-04) before being connected to the AC quick connect on the GT Inverter.

**To prepare the AC wiring:**

1. If necessary, strip 1 cm (3/8 inch) of insulation on the three wires from the utility panel.
2. Unscrew the female terminal from the casing of the female cable connector. See Figure 3-3.
3. Unscrew the other components of the female cable connector.
4. Run the wires through the pressing screw, pinch ring, seal, and shell of the female cable connector.

5. On the female terminal, connect the protective earth wire to the terminal marked with the ground ( $\oplus$ ) symbol. See Figure 3-4.
6. Connect the neutral wire to the terminal marked with 1.
7. Connect the Phase L wire to the terminal marked with 2.  
Terminal 3 is not used.
8. After ensuring all the wires are tightened in their terminals, screw the casing onto the female terminal.
9. Replace the remaining components of the female cable connector, ensuring a tight seal.
10. Tighten the pressing screw.

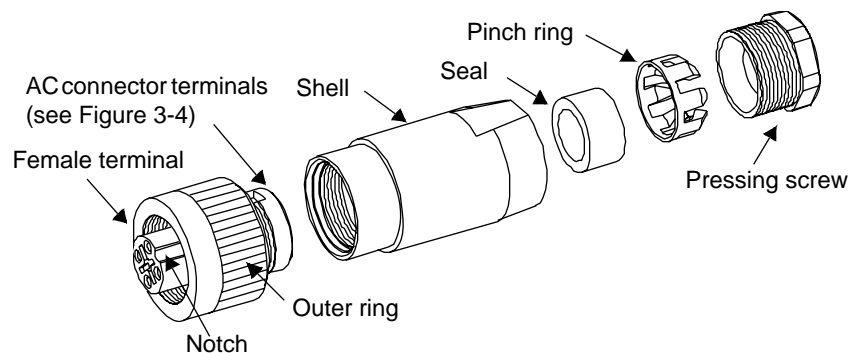


Figure 3-3 AC Connector (female)

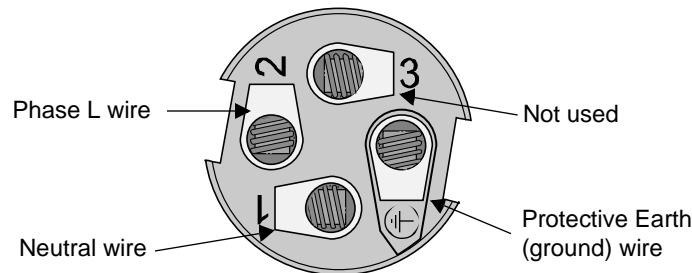


Figure 3-4 AC Connector Terminals

### Connecting to the GT Inverter

**To connect the AC connector to the GT Inverter:**

1. Line up the notch on the female AC cable connector with the connector on the GT Inverter.
2. Insert the AC cable connector into the connector on the GT Inverter.
3. Secure the connector by turning the outer ring.

## Connecting Multiple Inverters

For installations with multiple inverters, a separate PV array is required for each GT Inverter unit. The output of each GT Inverter feeds a separate dual-pole circuit breaker in the main utility service panel.

When connecting multiple inverters, complete the wiring and perform the commissioning procedure for each inverter one at a time. For wiring instructions, see “Connecting the DC Wiring” on page 3–2 and “Connecting the AC Wiring” on page 3–5. For the commissioning procedure, see page 4–2.



### WARNING: Shock hazard and equipment failure

If inverters “share” more than one PV array, an input current difference of over 1 A between arrays can cause short circuit failure in each inverter. This failure will also generate hazardous voltages around each unit.

In multiple inverter installations, it is very important to ensure each inverter is correctly connected to its own PV array(s) and that no wires are crossed. For example, connect PV1 positive (+) and PV1 negative (–) to inverter 1 and PV2 positive (+) and PV2 negative (–) to inverter 2.

**Do not** connect PV1 positive (+) and PV2 negative (–) to inverter 1 and PV2 positive (+) and PV1 negative (–) to inverter 2. See Figure 3-5.

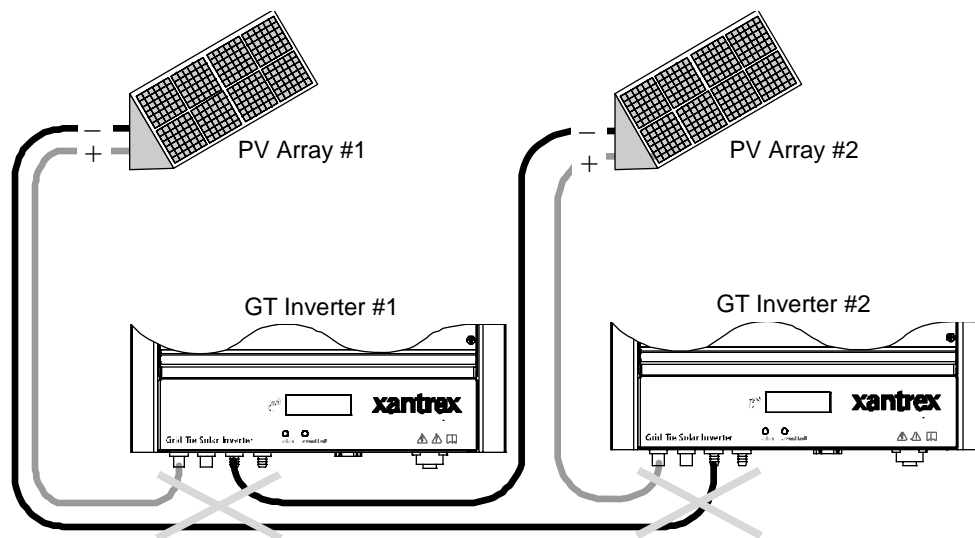


Figure 3-5 Improper multiple inverter connections

## Communications Wiring for Multiple Inverters

Communications wiring between multiple GT Inverters allows information about each inverter and its associated PV array to be communicated between all of the inverters in the system. Information about the entire system can be displayed on any inverter LCD in the system.

For example, in a two-inverter system, if inverter #1 is producing 1500 W and inverter #2 is producing 2000 W, both inverters display a total system power of 3500 W. The cumulative energy produced by both inverters that day is also displayed.

You can still view information for an individual inverter in a system. See “To view unit-specific screens in a multiple unit system:” on page 5–5.

Without communications wiring, each inverter in a system displays information only for the unit and its associated PV array.

## Xanbus Network Technology

GT Inverters are Xanbus-enabled devices. They use Xanbus (a communications protocol developed by Xantrex) to communicate with other GT Inverters. Network connections between inverters are laid out in a “daisy chain” pattern, with each device on the network linked with separate lengths of cable, as shown in Figure 3-6.

For more information on installing a Xanbus network, see the *Xanbus System Installation Guide*, available at [www.xantrex.com](http://www.xantrex.com).

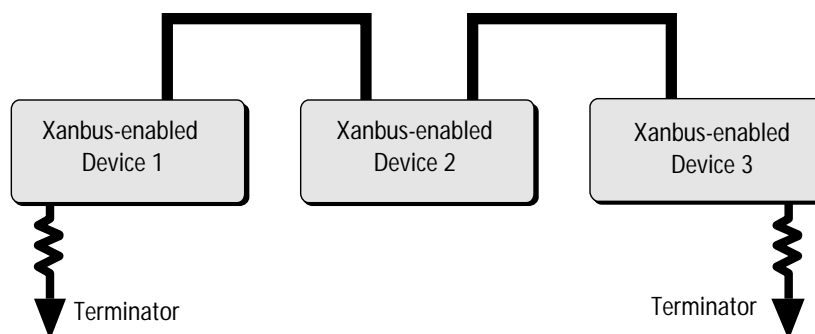


Figure 3-6 Daisy Chain Layout



### CAUTION: Equipment damage

Connect only Xanbus-enabled devices.

Although the cabling and connectors used in this network system are the same as ethernet connectors, **this network is not an ethernet system**. Equipment damage may result from attempting to connect Xanbus to different systems.

Terminators

Male network terminators (Figure 3-7) are required at both ends of the network to ensure the communication signal quality on the network. Your GT Inverter comes with one network terminator pre-installed.

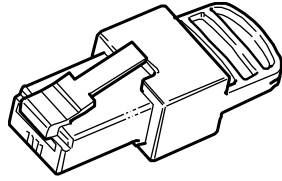


Figure 3-7 Male Network Terminator

GT Inverter Xanbus ports

Two RJ45 ports are provided on the GT Inverter for making network connections. See Figure 3-8 for the location of these ports.

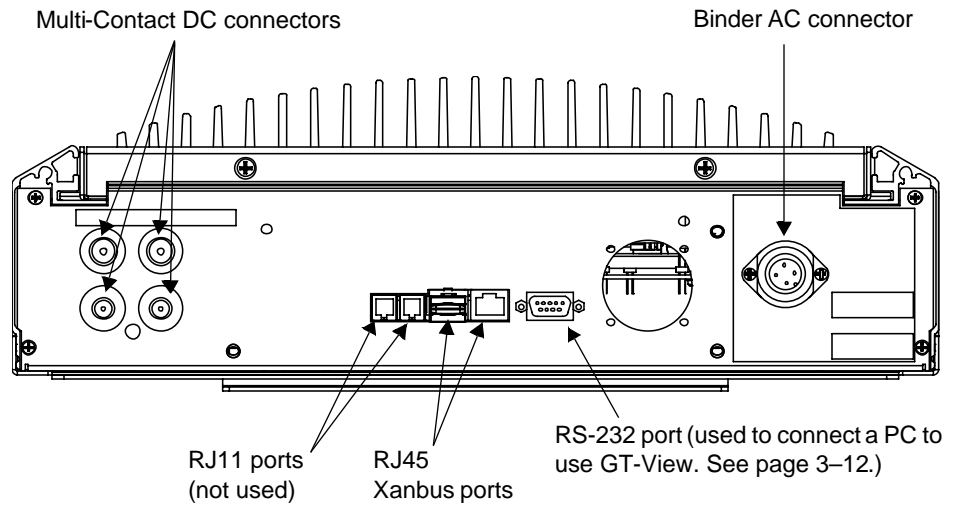


Figure 3-8 Location of Xanbus RJ45 Ports

---

## Cabling Requirements



### CAUTION: Equipment damage

Do not use crossover cable in a Xanbus system.

---

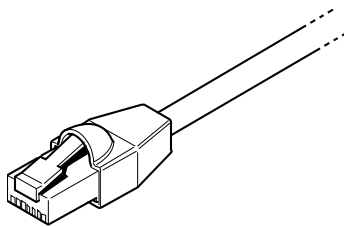
The network uses Category 5 (CAT 5) cable, a standard cable available from any computer supply store. The cable consists of eight conductors in four twisted pairs with an RJ45 modular connector wired to the T568A standard. Table 3-1 contains the arrangements of wire colors to pin numbers for the T568A standard.

**Table 3-1** T568A Standard Wiring

Pin Number	Conductor Name	CAT 5 Cable Insulation Color
1	NET_S	White/Green
2	NET_S	Green
3	NET_C	White/Orange
4	CAN_L	Blue
5	CAN_H	White/Blue
6	NET_C	Orange
7	NET_S	White/Brown
8	NET_C	Brown

## RJ45 Connector Requirements

The network cable uses modular RJ45 connectors, as shown in Figure 3-9. The connector is suitable for cost-sensitive applications and is easily installed. The RJ45 connector should be a modular plug, 8-position, 8-contact for round, stranded, unshielded cable.



**Figure 3-9** RJ45 Connector

## Purchasing Network Components

Consult your system designer to determine what network components will be needed for your specific installation. Table 3-2 provides a partial list of network components and part numbers. Pre-made cables are available in standard lengths from 3 feet to 75 feet.

Call your dealer or visit [www.xantrex.com](http://www.xantrex.com) for information on purchasing network components.

**Table 3-2** Network Components and Part Numbers

Network Component	Part Number
Network termination — Male (2 per pack)	809-0901
Network cable 3 ft. (0.9 m)	809-0935
Network cable 5 feet (1.5 m)	809-0936
Network cable 7 feet (2.0 m)	809-0937
Network cable 10 feet (3.0 m)	809-0938
Network cable 14 feet (4.3 m)	809-0939
Network cable 25 feet (7.6 m)	809-0940
Network cable 50 feet (15.2 m)	809-0941
Network cable 75 feet (22.9 m)	809-0942

## Guidelines for Routing the Network Cables



### WARNING: Shock hazard

Do not route the network cables in the same conduit or panel as the AC and DC power cabling.

To ensure maximum performance of your network, follow these guidelines when routing the network cables. Route the cables before installing Xanbus-enabled devices.

- Route the cables away from sharp edges that might damage the insulation. Avoid sharp bends in the cable—no less than a 10 cm (4 inch) radius.
- Allow for some slack in the cable tension.
- Keep the alignment of wire pairs inside the sheath as straight as possible.
- Allow separation between data and power cables (data cables should only cross a power cable at right angles).
- Do not staple the cable with metal cable staples. Use the appropriate hardware fasteners to avoid damage to the cable.



### CAUTION: Unpredictable device behavior

Do not connect one end of the network to the other to make a ring or loop.

## Connecting Network Cable between Inverters

This procedure assumes only two inverters are installed. However, there can be up to ten inverters wired in this configuration.

### To provide communication between multiple inverters:

1. Remove the comm port covers from all inverters. See Figure 3-10.
1. Connect the network cable to an empty RJ45 port in Inverter #1.
2. Pass the cable through the cable clamp on the comm port cover of Inverter #1.
3. Pass the cable between Inverter #1 and Inverter #2, securing the cable appropriately.
4. Pass the cable through the cable clamp on the comm port cover of Inverter #2.
5. Connect the network cable to an empty RJ45 port in Inverter #2.
6. For more than two inverters, continue connecting cable as described above.
7. If not already installed, insert male network terminators into the empty RJ45 ports in the inverters at the beginning and end of the network.

After connecting network cables and inserting terminators, there should be no empty RJ45 ports in any connected inverter.

8. After completing network cabling, replace the comm port covers on all units.

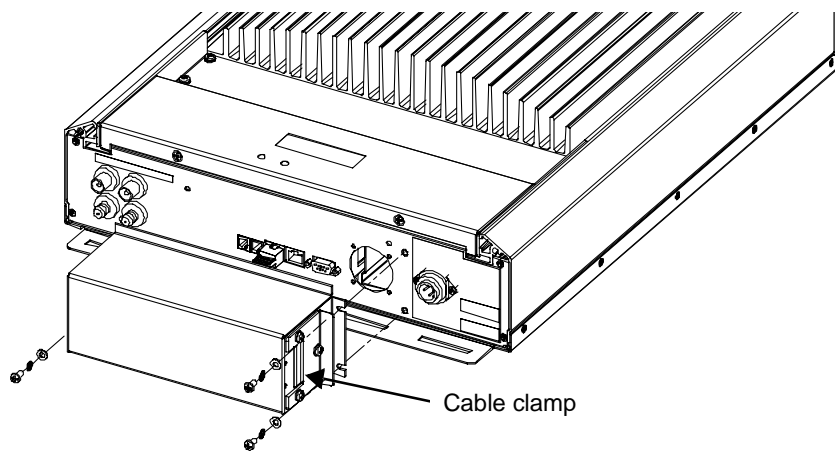


Figure 3-10 Replacing the Comm Port Cover

## Communications Wiring for Monitoring a Single Inverter

You can view GT Inverter operational data on a personal computer using the Xantrex GT Solar Inverter Viewer (“GT-View”), which you can download free of charge at [www.xantrex.com](http://www.xantrex.com).

To use GT-View, you must connect your computer’s serial port to the GT Inverter RS-232 port (see Figure 3-8).

To connect your computer to the GT Inverter, you must use a serial DB9 “straight through” cable.

RS-232 cable requirements



The RS-232 connector on the GT is configured as follows:

- Pin 2: transmit
- Pin 3: received
- Pin 5: ground.

All other pins are unused.

**To connect a single GT Inverter to a personal computer:**

1. With DC and AC power disconnected from the inverter, remove the comm port cover.
2. Plug the male end of the serial cable into the GT Inverter RS-232 port.
3. Pass the female end of the serial cable through the cable clamp on the comm port cover.
4. Replace the comm port cover.
5. Plug the female end of the serial cable into your computer's serial port.
6. Restore DC and AC power to the inverter.

When power is restored to the GT Inverter, you can run GT-View on your computer to monitor the inverter's operation.

**Note:** In multiple installations, GT-View monitors only the inverter to which the computer is connected. However, if the inverters are connected with a Xanbus cable, GT-View will display total system wattage and the accumulated daily energy produced by all inverters. To monitor multiple inverters, you require multiple DB9 cable connections (one per inverter) to your computer.

GT-View displays operational data such as power output in AC watts, lifetime energy produced, and inverter temperature. Data is updated every two seconds (default setting).



**Figure 3-11** GT-View Display

To configure GT-View, right click anywhere in the GT-View display and select Settings from the pop-up menu. The GT-View Options window will appear.



Figure 3-12 GT-View Options

For more information about GT-View, see the *GT-View User Manual*, included with the GT-View software.

# 4

## Starting the Inverter

Chapter 4, “Starting the Inverter”, contains information on starting up the Xantrex Grid Tie Solar Inverter and performing a functional test.

The topics in this chapter are organized as follows:

- “Commissioning Procedure” on page 4-2
- “Disconnect Test” on page 4-3.

## Commissioning Procedure

To ensure that each GT Inverter is wired correctly, each inverter should be wired individually using the wiring procedures in Chapter 3, and turned on using this commissioning procedure. Once a single inverter has been commissioned, it should be turned off and the wiring and commissioning procedures should be performed for the next inverter. Repeat in this manner until all the inverters in the installation have been connected.

Perform this commissioning procedure step-by-step for each GT Inverter installed. Do not attempt to connect all wires to all inverters and turn on all at the same time.



### **CAUTION: Equipment damage**

Improper wiring may cause permanent damage to the GT Inverter. Take special care to ensure the positive (+) and negative (-) wires from a single array connect to the same GT Inverter.

---



### **WARNING: Shock hazard**

Hazardous voltages are present from two sources. Use extreme caution during startup procedure. Before applying power to the GT Inverter, ensure all AC and DC wiring is correct.

---



### **WARNING: Shock hazard**

Ensure the protective earth (ground) wire from the inverter is connected to Earth before applying AC. Failure to do so could result in a shock hazard upon touching the enclosure. Consult the local utility for specific grounding requirements.

---

#### **To start the GT Inverter:**

1. Ensure the AC breaker is off.
2. Ensure the correct multi-contact PV connectors are firmly plugged into the GT Inverter as described in “Connecting the DC Wiring” on page 3-2.
3. Ensure the AC quick connect is firmly inserted into the AC connector on the GT Inverter and the coupling ring is tight.
4. Uncover the PV array and/or close the main DC disconnect switch, if one is installed.

Ensure the PV array is producing the required output voltage.

5. Connect the utility grid voltage by switching the AC circuit breaker on.
6. Monitor the startup sequence on the front panel LCD.

The GT Inverter starts automatically when it receives DC voltage within the correct range and it is connected to an acceptable grid.

To monitor the startup sequence on the front panel LCD, check the GT Inverter LCD. The startup screens (see Table 5-1 on page 5-3) should appear for five seconds each, and then the “Reconnecting in sss seconds” special screen (see Table 5-10 on page 5-8) will appear until the protection timer countdown is completed.

7. Run the disconnect test.

## Disconnect Test

The disconnect test is designed to verify correct operation of the Xantrex Grid Tie Solar Inverter both on initial operation and periodically through its life as required by the utilities. This test ensures that the Xantrex Grid Tie Solar Inverter does not “island” by sending electricity to the utility grid when the local utility has shut off the grid for repairs, or when the utility wiring is damaged.

When operation of the inverter has been verified and the unit is producing power, run the disconnect test as described in this procedure.

### **To run the disconnect test:**

1. Switch off the AC circuit for the inverter.

This can be accomplished by switching the breaker on the main panel that feeds the inverter(s). The disconnect for the home or business may be used as well.

2. Have someone watch the front panel of the inverter to ensure the green light on the front of the inverter goes out.

The green light goes out when the AC circuit is switched off, disconnecting the inverter from the AC grid. The front panel display will show an AC Fault display, indicating that the AC is out of the operating range.

3. Switch on the AC circuit for the inverter.

The inverter will respond by beginning its countdown. The green light will remain off. A short time after applying AC, the green light will turn on and the inverter will begin to send power to the grid. The display will then return to showing the power being produced and the total kWh produced to date.

4. If you have another GT Inverter to commission, switch off the AC circuit for the inverter you have just commissioned and tested by switching off the breaker on the main panel. You can then run the commissioning procedure and disconnect test on the next inverter.



# 5

## Monitoring the Inverter

Chapter 5, “Monitoring the Inverter”, contains information for understanding the LCD screens and the LED indicators.

The topics in this chapter are organized as follows:

- “Monitoring the Front Panel Display” on page 5–2
- “Front Panel Display Screens and What They Mean” on page 5–3
- “Status Indicator Lights” on page 5–10.

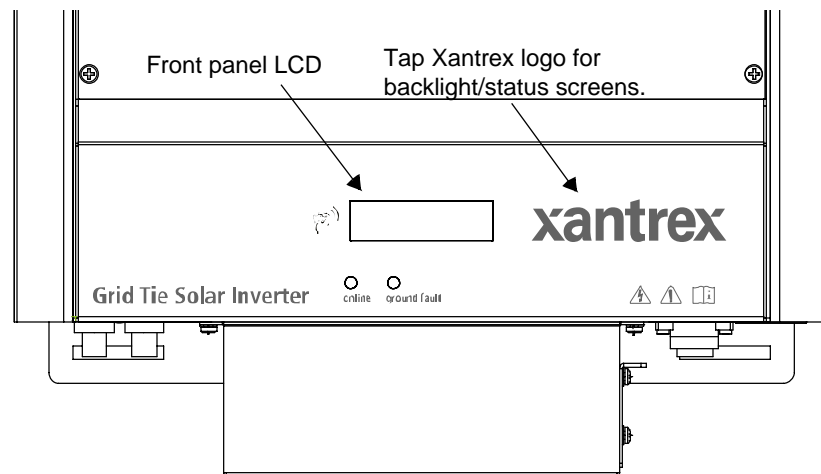
## Monitoring the Front Panel Display

During startup	During startup, the inverter’s front panel liquid crystal display (LCD, see Figure 5-1) shows the first three screens described in Table 5-1, “Startup Screens on GT Inverter Front Panel Display” on page 5–3.
During waiting period	When the protection timer begins, the inverter displays “Reconnecting in <i>sss</i> seconds” (see Table 5-10, “Special Message Screens” on page 5–8).
During operation	When the protection timer stops, the GT Inverter begins selling power, indicated by the power output reading in the display (see Table 5-2, “Normal Operation Default Screen” on page 5–4).
When the inverter is offline or there is fault condition	When the GT Inverter is offline (for example, at night) or a fault condition has been detected, the LCD shows a message screen to indicate that state. The specific fault condition will be identified. See Table 5-5, “Offline Mode Default Display” on page 5–5 and Table 5-8, “Fault Message Screens” on page 5–7.

---

**Important:** The values in the front panel LCD are not user adjustable.

---



**Figure 5-1** Front Panel LCD Location

Viewing more information

Additional screens of information about the performance of the GT Inverter can be displayed by tapping the Xantrex logo on the inverter front panel. This causes the LCD to cycle through a series of information screens in Normal Operation, Offline or Fault modes. These are described in detail in the following section, “Front Panel Display Screens and What They Mean”.



## Front Panel Display Screens and What They Mean

The front panel display shows different message screens during different modes of operation (Startup, Normal, Offline, and Fault). All single units display a basic set of message screens; multiple unit systems display additional screens in Normal Operation and Offline modes.

In addition there are Special message screens that may appear in any operational mode. All of these message screens are described in more detail in the following tables.

### Startup Mode

During startup, the GT Inverter displays three message screens on its front panel LCD. These screens appear in the following order (Table 5-1).

**Table 5-1** Startup Screens on GT Inverter Front Panel Display

Display*	Duration	Description
<b>Xantrex</b> <b>GT3.0-DE-230</b>	5 sec.	<b>Startup message 1:</b> Inverter name and model number
<b>Flash = 01.01</b> <b>ROM = 01.01</b>	5 sec	<b>Startup message 2:</b> Model and revision numbers for Flash and ROM memory on the GT Inverter. The ROM revision number applies to the protection processor.
<b>Vh=253 V1=195</b> <b>Fh=51.0 F1=49.0</b>	5 sec	<b>Startup message 3:</b> Anti-islanding Utility Grid trip points. <b>Vh:</b> high voltage threshold <b>V1:</b> low voltage threshold <b>Fh:</b> high frequency threshold <b>F1:</b> low frequency threshold

\* all numbers in this and following tables are examples only. Your model, revision numbers, and performance data will vary.

The protection timer begins its countdown during startup and the “Reconnecting in sss seconds” screen appears until the timer countdown is complete.

### Normal Operation Mode

The LCD on the GT Inverter is refreshed every two seconds, so all readings are current to within two seconds. There is a default display available at all times, and a series of additional screens that can be displayed by tapping the Xantrex logo near the LCD to change the display.

Normal Operation  
default display

After the protection timer has completed its countdown and during normal operation, the GT Inverter displays the normal operation message screen shown in Table 5-2.

**Table 5-2** Normal Operation Default Screen

Display	Description
<b>System 2000W</b> <b>Today 9.875kWh</b>	Power being produced by the system now. Cumulative energy produced by the system today.

If there is sufficient energy from the PV array, this screen is displayed continuously while the system is operating normally. In a multiple unit system connected by network cables, the power and cumulative energy values displayed are for the entire system.

During low light conditions when the GT Inverter cannot produce any power, the Normal Operation default screen flashes alternately (every two seconds) with the Insufficient Solar Energy screen (see Table 5-10, “Special Message Screens” on page 5–8).

More screens for all systems

Besides the default normal operation display, more system information messages can be viewed.

**To view more Normal Operation information:**

- Tap the Xantrex logo near the LCD to advance the display to the next screen. Normal operation screens shown in Table 5-3 are displayed in the order given, as you tap successively on the unit. They are common to all GT Inverter systems, no matter how many units are installed.

If you continue to tap the unit, then the LCD continues to cycle through all of the available normal operation screens. Each screen is displayed for a maximum of 30 seconds. If you do not tap again during that time period, then the LCD backlight turns off and the display reverts to the default system message screen.

**Table 5-3** Normal Operation Screens for All GT Inverters

Tap	Display*	Description
1st time	<b>System 2000W</b> <b>Today 2.500kWh</b>	LCD backlight turns on for better readability and default Normal Operation screen is displayed.
2nd time	<b>System Lifetime</b> <b>305kWh</b>	Lifetime energy produced by the GT Inverter system.
3rd time	<b>Time Online</b> <b>Today hh:mm:ss</b>	Length of time inverter has been online today, in hours (hh), minutes (mm) and seconds (ss).
4th time	<b>Array Readings</b> <b>350.5V 8.4A</b>	Immediate DC voltage and current readings from the PV array.
5th time	<b>Grid Readings</b> <b>242.6V 60.0Hz</b>	Immediate AC voltage and frequency readings from the Grid.

*\* In a multiple unit system with network cables properly installed, the system values displayed are for the entire system. For example, in a two-inverter system, if inverter #1 is producing 1500 W and inverter #2 is producing 2000 W, both inverters display a total system power of 3500 W. Time online and array readings are for the local inverter and PV array associated with that inverter.*

Additional messages for multiple unit systems only

In addition, to the normal system message screens, additional screens specific to each GT Inverter unit can be displayed when the unit is connected with communications wiring to other GT Inverters. These screens are only available on multiple unit systems.

**To view unit-specific screens in a multiple unit system:**

1. Tap the Xantrex logo near the LCD to advance the display to the next screen. Continue tapping until the final system message screen (“Grid Readings”, in Table 5-3 above) is displayed.
2. Tap again. Normal operation screens shown in Table 5-4 are displayed in the order given, as you tap successively on the unit.

If you continue to tap the unit, then the LCD will cycle through all of the available normal operation screens. Each message is displayed for up to 30 seconds. If you do not tap again within that time period, then the LCD backlight turns off and the display reverts to the default normal operation screen (Table 5-2).

**Table 5-4** Additional Normal Operation Screens for Each GT Inverter in a Multiple Unit System

Tap	Display	Description
6th time	<b>Unit 1500W</b> <b>Today 1.250kWh</b>	Power being produced by this unit now. Cumulative energy produced by this unit today.
7th time	<b>Unit Lifetime</b> <b>150kWh</b>	Lifetime energy produced by this GT Inverter unit

## Offline Mode

Offline default display

At night and when no power is being produced by the PV array (offline mode), the GT Inverter displays the screen shown in Table 5-5.

**Table 5-5** Offline Mode Default Display

Display	Description
<b>Inverter</b> <b>Offline</b>	Displayed at all times while the system is offline.

## Offline messages for all systems

Additional message screens can be viewed when the system is offline by tapping the Xantrex logo near the LCD. Each additional tap displays the next screen, in the order shown in Table 5-6.

These message screens are common to all GT Inverter systems, no matter how many units are installed. If you continue to tap the unit, then the LCD will continue to cycle through all of the available offline mode screens.

**Table 5-6** Offline Mode Screens for All GT Inverters

Tap	Display*	Description
1st time	<b>Inverter Offline</b>	LCD back light turns on for better readability and default Offline Mode screen is displayed.
2nd time	<b>System 0W Today 2.50kWh</b>	Power being produced by the system now. Cumulative energy produced by the system today.
3rd time	<b>System Lifetime 305kWh</b>	Lifetime energy produced by the system.
4th time	<b>Time Online hh:mm:ss</b>	Total time that the system was online today, in hours (hh), minutes (mm) and seconds (ss).

\* *In a multiple unit system with network cables properly installed, the system values displayed are for the entire system. Time online is for the local inverter.*

## Additional Offline messages for multiple unit systems

Multiple unit systems in offline mode display all of the message screens shown in Table 5-6, plus the additional screens shown in Table 5-7. These additional screens are displayed following the “Time Online” screen.

These screens are only displayed when multiple GT Inverters are connected by network cables. If you continue to tap the unit, then the LCD continues to cycle through all of the available offline mode screens.

**Table 5-7** Additional Offline Mode Screens for Each GT Inverter in a Multiple Unit System

Tap	Display	Description
5th time	<b>Unit 0W Today 1.25kWh</b>	Power being produced by this unit now. Cumulative energy produced by this unit today.
6th time	<b>Unit Lifetime 150kWh</b>	Lifetime energy produced by this unit.

## Fault Mode

When a fault state is detected, the appropriate fault message appears on the front panel display at the next screen refresh (i.e., within 2 seconds). The GT Inverter fault message screens are shown in Table 5-8.

Fault Mode causes

These message screens only appear when there is a fault, and then flash alternately with the Inverter Offline default screen (Table 5-5) until the fault is corrected.

**Table 5-8** Fault Message Screens

Display	Description
<b>DC Voltage Fault 145.5V</b>	When the actual DC voltage is over or under the allowable range, 165 to 600 Vdc. Self-clearing, no action required. The PV array should be configured such that DC voltage does not fall below 195 Vdc or rise above 600 Vdc.*
<b>AC Voltage Fault 280V</b>	When the actual AC voltage is over or under the allowable range, as specified in “Output” on page A-2. This is a utility fault; it will clear itself when the AC voltage comes within the specified range.†
<b>Frequency Fault 0.0Hz</b>	When the actual Frequency is over or under the allowable range, as specified in “Output” on page A-2. This is a utility fault; it will clear itself when the frequency comes within the specified range.†
<b>Over Temp Fault 81.4C 178.5F</b>	When the unit’s internal temperature is greater than 80° C (176° F), the unit will shut down automatically and only restart when the temperature has dropped to less than 70° C (158° F).
<b>Ground Fault Reset System</b>	When a grounding fault is detected. The ground fault protection fuse will be blown (North American models only). The system must be shut down completely, the fault corrected, and the fuse replaced.‡ The system can then be restarted. Troubleshooting a grounding fault should be performed by qualified personnel.
<b>Unit Shutdown via Remote</b>	Appears if the GT Inverter unit has been shut down via a computer connected to the RS-232 port.
<b>Protection uP Not Responding</b>	The protection processor is not responding.

\* It is normal to receive this fault during low light conditions at dawn or dusk. At such times, the array does not have sufficient energy to power the inverter, so the PV voltage drops below 165 volts occasionally.

† Grid fault. When this fault is cleared the protection timer will begin its countdown and you will see the “Reconnecting in sss seconds” and “Inverter Offline” special screens (see Table 5-10) flashing alternately until the countdown is complete.

‡ Applicable to North American models only. European models do not have a ground fault protection fuse installed.

Additional Fault messages for all systems

Additional message screens can be viewed in fault mode by tapping the Xantrex logo near the LCD. Each additional tap displays the next screen in the order shown in Table 5-9.

**Table 5-9** Additional Fault Mode Screens

Tap	Display*	Description
1st time	Current fault message screen (see Table 5-8)	LCD backlight turns on for better readability.
2nd time	<b>System 0W</b> <b>Today 2.500kWh</b>	Energy being produced by the system now. Cumulative energy produced by the system today.
3rd time	<b>System Lifetime</b> <b>305kWh</b>	Lifetime energy produced by the GT Inverter system.
4th time	<b>Time 0online</b> <b>Today hh:mm:ss</b>	Length of time inverter was online today, in hours (hh), minutes (mm) and seconds (ss).
5th time	<b>Array Readings</b> <b>350.5V 8.4A</b>	Immediate DC voltage and current readings of power from the PV array.
6th time	<b>Grid Readings</b> <b>242.6V 60.0Hz</b>	Immediate AC voltage and frequency readings of power from the Grid.

\* *In a multiple unit system with network cables properly installed, the system values displayed are for the entire system. Time online and array readings are for the local inverter and PV array associated with that inverter.*

## Special Screens

Special message screens are displayed in specific situations that are not considered fault situations. They can appear in any mode of operation. These screens are described in Table 5-10.

**Table 5-10** Special Message Screens

Display	Description
<b>Reconnecting in</b> <b>sss seconds</b>	Time remaining in seconds (sss) before the GT Inverter reconnects to the Grid. This is a protection timer that runs at startup and after any Grid fault.
<b>Inverter</b> <b>Offline</b>	GT Inverter switching (or has switched) from Normal Operation to Offline mode. This screen may flash alternately with a Fault message screen.

Table 5-10 Special Message Screens

Display	Description
<b>System *3500W Today 15.56kWh</b>	The “*” in these two screens (see Table 5-2 and Table 5-4) indicates that the unit is derating its output power because the inverter heat sink temperature is above 75° C (167° F).
<b>Unit *1800W Today 7.82kWh</b>	The asterisk only appears when the power is actually being limited by the inverter.
<b>Insufficient Solar Energy</b>	Indicates the GT Inverter is not producing power due to insufficient solar energy during low light conditions in early morning or late afternoon or when the PV array is in shade. This screen flashes alternately with the Normal Operation default screen.

## Custom Screens

Two custom screens are available. The inverter does not display them unless they are configured using using GT-View (see page 3–12). If configured, the custom screens display as the fourth and fifth screens during the startup sequence. They can also be viewed by tapping the unit during normal operation and fault mode.

The first custom screen is intended for the home owner to display information such as the name or location of the PV array associated with the inverter.

The second custom screen is intended for installers, who can configure the screen to display, for example, contact information for service.

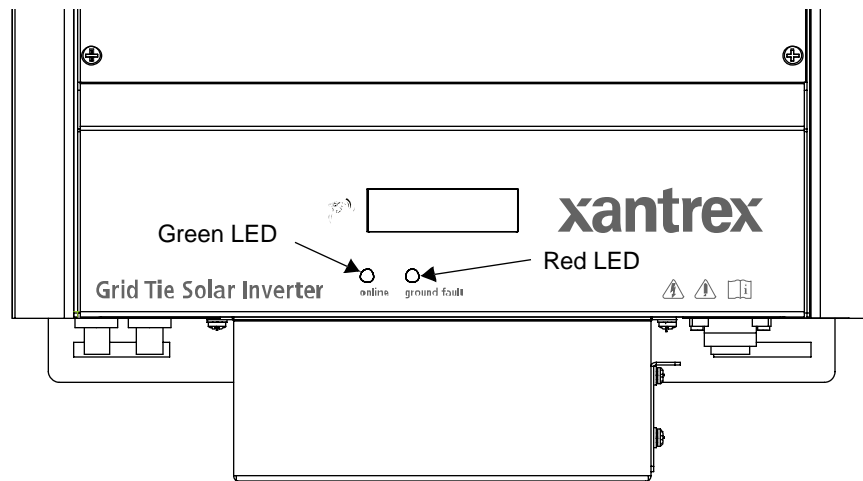
## Status Indicator Lights

The GT Inverter is equipped with two status indicator lights (LEDs) located below the front panel LCD (Figure 5-2). These LEDs indicate the inverter’s current status (Table 5-11) and assist in troubleshooting the performance of the unit.

Only one indicator light will be lit at any time.

**Table 5-11** Status Indicator LEDs

LED on	Means
Green	GT Inverter is on (DC voltage and AC voltage are qualified and the protection timer has finished) and delivering energy to the grid. No action required. Turns off when a fault state is detected.
Red	Ground fault condition detected. Check for any fault messages on the display (see Table 5-8), and refer also to Table 6-1, “Troubleshooting the GT Inverter” on page 6-4 to resolve the fault condition.



**Figure 5-2** Location of Status Indicator Lights



# 6

## Maintenance and Troubleshooting



### **WARNING: Electrical shock and fire hazard**

Do not disassemble the GT Inverter. It does not contain any user serviceable parts. Attempting to service the unit yourself could result in electrical shock or fire.

---

Chapter 6, “Maintenance and Troubleshooting”, contains information about how to provide general maintenance for the Xantrex Grid Tie Solar Inverter. It also provides information about troubleshooting the unit.

The topics in this chapter are organized as follows:

- “Factors Affecting GT Inverter Performance” on page 6–2
- “Performing General Maintenance” on page 6–3
- “Identifying Error/Fault Conditions and Solutions” on page 6–4.

## Factors Affecting GT Inverter Performance

This section describes several factors that will affect the amount of power that a properly installed and operating GT Inverter can produce.

### PV Array Factors

PV array ratings	PV arrays are rated at ideal factory conditions, such as specified illumination (1000 W/m <sup>2</sup> ), spectrum of the light (Air Mass 1.5 standard reference spectrum), and specified temperature (25 °C / 77 °F), that seldom reflect real-world installations. This is called the STC (Standard Test Condition) rating and is the figure that appears on the PV module nameplate label.
Expected performance	A properly designed and installed PV system will produce less than its peak STC-rated output. Actual production depends on several unavoidable environmental factors described in this section.
Temperature and reduced output	PV array temperature affects the output of the entire system. As the temperature on the array surface heats up, its energy output goes down. Roof-mounted arrays also collect the heat generated by the roof surface (or trapped under the array) and will produce less output than pole-mounted arrays, which allow greater air circulation behind the panels.

---

**Important:** The GT Inverter will reduce its energy output to protect its electronic circuits from overheating and possible damage in high heat conditions. For maximum output in hot climates, mount the GT Inverter in a shaded location with good air flow.

---

Angle of the sun	The angle of the sun in relation to the PV array surface—the array orientation—can dramatically affect the PV array output. The array energy output will vary depending on the time of day and time of year as the sun's angle in relation to the array changes. Sunlight output decreases as the sun approaches the horizons, due to the greater atmospheric air mass it must penetrate. This reduces both the light intensity that strikes the array's surface and spectrum of the light. In general, you can expect only four to six hours of direct sunlight per day.
Partial shade	Shading of only a single module of the array will reduce the output of the entire system. Such shading can be caused by something as simple as the shadow of a utility wire or tree branch on part of the array's surface. This condition, in effect, acts like a weak battery in a flashlight, reducing the total output, even though the other batteries are good. However, the output loss is not proportionate to shading. The GT Inverter is designed to maximize its energy production in all of the above situations using its MPPT algorithm.

## Other Factors

Other factors that contribute to system losses are:

- Dust or dirt on the array
- Fog or smog
- Mismatched PV array modules, with slight inconsistencies in performance from one module to another.
- Inverter efficiency
- Wire losses

For additional information and technical notes concerning PV array performance, please visit our Web site at [www.xantrex.com](http://www.xantrex.com).

## Performing General Maintenance

Follow these simple routines to ensure many years of service and optimal performance of your solar energy system.

1. Keep the heat sink clear of dust and debris.



### **WARNING: Shock and fire hazard**

Do not use a pressure washer to clean the GT Inverter, or use other cleaning methods that could allow water to enter the unit.

---

2. Clean the PV array with flowing water whenever it is visibly dirty, during a cool time of the day.
3. Periodically inspect the system to make sure that all wiring and supports are securely in place.
4. On a sunny day near noon on March 21 and September 21 of each year, review the output of the system and compare it with the previous year's reading. Maintain a log of system performance readings so that you can recognize when system performance becomes inconsistent.

## Identifying Error/Fault Conditions and Solutions

Most error or fault conditions will be identified by fault message screens on the GT Inverter front panel LCD. These are described in the “Fault Mode” section on page 5–7. Most of these fault conditions are self-correcting and require no user action to remedy.

See “Front Panel Display Screens and What They Mean” on page 5–3 for more information.

Table 6-1 is intended to assist in determining fault conditions that may require user action to remedy.

**Table 6-1** Troubleshooting the GT Inverter

Problem	Possible Cause	Solution
The inverter’s LEDs and display are blank and the inverter does not operate in sufficient sunlight.	Utility service panel AC and DC breakers are switched off.	Turn on the breakers in the sequence described in “Commissioning Procedure” on page 4–2.
The display reads “Inverter Offline” and “AC Voltage Fault.”	Utility service panel breakers are switched off.  AC grid voltage is not present or incorrect.	Turn on utility panel breakers.  Check AC connections at the inverter’s terminals. Ensure AC voltage within the range specified in “Output” on page A–2 is present.
The display reads “Inverter Offline” with sufficient sunlight.	DC breakers are switched off (if installed), or external DC fuses are blown (if installed).  DC array voltage is not present.	Turn on any DC breakers and check any DC fuses.  Check DC connections at the inverter’s positive and negative DC terminals. Check for incorrectly wired PV arrays.
The display reads “Inverter Offline” and “DC Voltage Fault” with sufficient sunlight.	DC voltage is present but incorrect.	Check DC connections at the inverter’s positive and negative DC terminals. Check for incorrectly wired PV arrays. Ensure a voltage of 195–550 VDC is present at the inverter’s terminals.
Only the inverter RED LED is illuminated and the display reads “Ground Fault.”	Ground fault condition detected on the PV array.	The PV system should be checked by a qualified electrician and repaired. See Table 5-8 on page 5–7.

# A

## Specifications

Appendix A, “Specifications”, contains information about the electrical and environmental specifications of the Xantrex Grid Tie Solar Inverter.

The topics in this appendix are organized as follows:

- “Electrical Specifications” on page A-2
- “Environmental Specifications” on page A-6
- “Mechanical Specifications” on page A-6

All specifications are subject to change without notice.

## Electrical Specifications

### Input

	GT 2.5	GT 2.8	GT 3.8
Input voltage, Maximum Power Point range	195 to 550 Vdc		
Absolute maximum array open circuit voltage	600 Vdc		
Maximum input current	14.1 A dc	15.7 A dc	21.3 A dc
Maximum array short circuit current	24 A dc		
Recommended PV array power	Up to 2750 W	Up to 3070 W	Up to 4180 W
Reverse polarity protection	Short circuit diode		

### Output

	Germany		Spain	
	GT 2.5-DE	GT 3.8-DE	GT 2.8-SP	GT 3.8-SP
Maximum output power	2500 W ac	3800 W ac	2800 W ac	3800 W ac
Nominal output power	2300 W ac	3300 W ac	2500 W ac	3300 W ac
Maximum output current	13.6 A	19.0 A	14.3 A	19.0 A
Nominal grid voltage	230 Vac, +10/-15%		230 Vac, +10/-15%	
Nominal grid frequency	50 ± 0.2 Hz		50 ± 1.0 Hz	
Total Harmonic Distortion (THD)	<3%		<3%	
Power factor	>0.9		>0.9	
Islanding protection	ENS integrated		Vac, fac as per RD 1663/2000	
Output characteristics	Current source		Current source	

## Adjustable Disconnect Settings

Islanding protection is an essential safety feature that ensures no person working on the grid is harmed by a distributed energy source. Default software settings are programmed into each GT Inverter at the factory to ensure it does not island according to relevant safety regulations (VDE 0126, RD 1663/2000).

In some instances it may be desirable from both a utility and customer point of view to adjust these default settings. For example, the GT Inverter may experience “nuisance trips” (taking the inverter “offline”) if the grid is weak and the voltage falls outside the allowable range specified in the regulations. It may be difficult for a utility to upgrade the grid to eliminate this problem. With permission from the utility, the factory settings may be changed to allow the GT inverter to operate over a wider grid voltage range.

These settings are password protected and should only be changed by qualified service personnel, using a special software application provided by Xantrex. Changing any values may compromise compliance with safety regulations. Do not do so without first consulting with the utility and agreeing on acceptable settings.

The default values of these settings differ from the utility specifications on page A–2. These differences take into account the accuracy ranges listed in the table below, and are intended to ensure that utility specifications are always met.

---

**Note:** Disconnect settings on German models are not adjustable.

---

Setting	Default Values	Adjustment Range	Accuracy
	230 Vac/ 50 Hz (SP)		
AC Low Voltage	198 Vac	180–269 Vac	+/- 3 Vac
AC High Voltage	250 Vac		
AC Low Frequency	49.1 Hz	46.0–62.0 Hz	+/- 0.1 Hz
AC High Frequency	50.9 Hz		
Reconnect Delay	180 sec.	0–600 sec.	+/- 5 sec.

## Output Power Versus Ambient Temperature

Once the heat sink on the inverter reaches a maximum temperature limit, the GT Inverter reduces its energy output to ensure maximum component ratings are not exceeded.

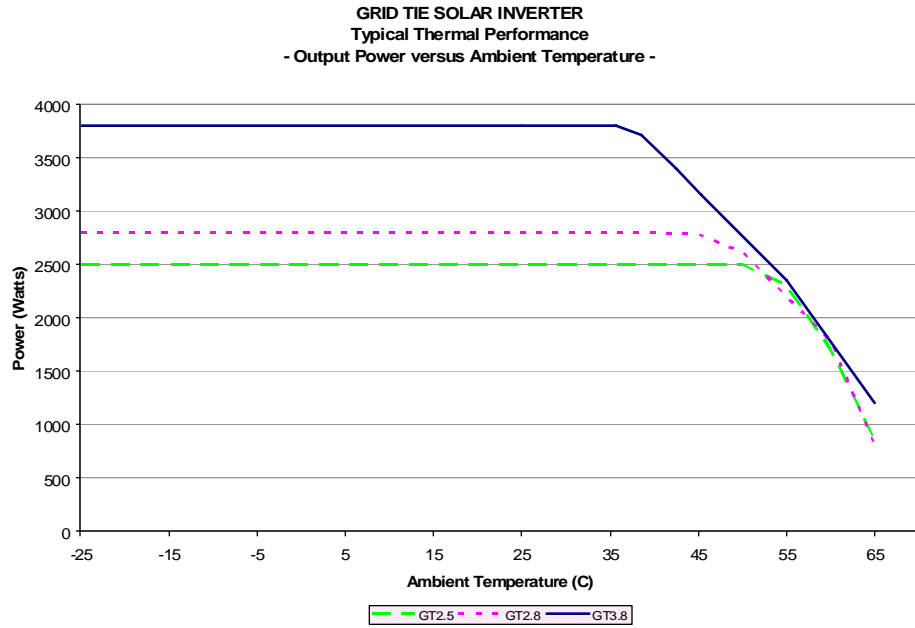


Figure A-1 Output Power vs. Ambient Temperature



## Efficiency

Maximum efficiency	95%
Euro efficiency	93.9%
Nighttime tare loss	1 W

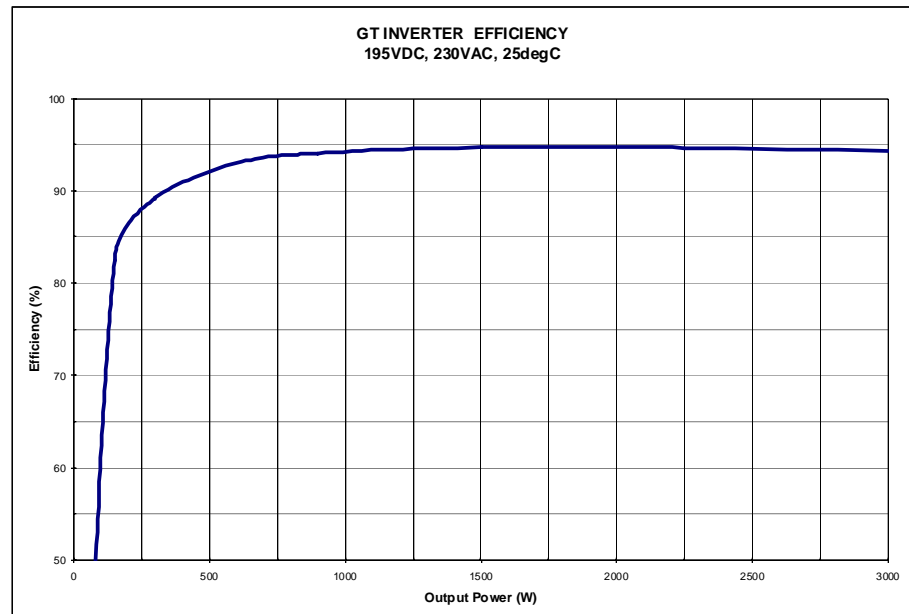


Figure A-2 Typical Efficiency

## Environmental Specifications

Operating temperature range	-25 to +65 °C (-13 to +149 °F)
Storage temperature range	-40 to +85 °C (-40 to +185 °F)
Power derating	See Figure A-1 on page A-4
Tolerable relative humidity limit	<b>Operating:</b> 100% condensing <b>Storage:</b> <95%, non-condensing

## User Display

Type	alphanumeric liquid crystal
Size	2 lines by 16 characters
Backlight	yes

## Display Accuracy

Instantaneous Power	+/- (30 W + 1% of reading)
Voltage	+/- (1% of rating + 1% of reading)
Current	+/- (1% of rating + 1% of reading)
System Lifetime energy	+/- 5%

## Mechanical Specifications

Outdoor enclosure	IP54, Rainproof
Inverter dimensions (H × W × D)	55.1 × 40.3 × 14.6 cm (21.7 × 15.9 × 5.7 inches)
Shipping dimensions (H × W × D)	69.2 × 51.8 × 26.2 cm (27.2 × 20.4 × 10.3 inches)
Inverter weight	18.7 kg (41 lb)
Shipping weight	24.9 kg (54.7 lb)
Input terminals	Multi-contact Quick Connect PV-ADSP3/GWD (male) PV-ADBP3/GWD (female)
Output terminals	Binder 693 Series male socket (mates with supplied female cable connector PG13,5 p/n 99-4222-14-04)

# Warranty and Return Information

## Warranty

**What does this warranty cover and how long does it last?** This Limited Warranty is provided by Xantrex Technology Inc. (“Xantrex”) and covers defects in quality in workmanship and materials (“Defects”) in your Xantrex Grid Tie Solar Inverter. This warranty lasts for a period of five years (the “Warranty Period”) from the date of purchase at point of sale to you, the original end user customer. This Limited Warranty is transferable to subsequent owners but only for the unexpired portion of the Warranty Period.

**What will Xantrex do?** If there is a Defect, Xantrex will repair or replace the defective product free of charge, provided that:

- (a) you have followed the service procedure below and have not been able to get a remedy from your dealer;
- (b) you notify Xantrex, without undue delay, of the Defect within the Warranty Period; and
- (c) Xantrex, through inspection, troubleshooting, or other means establishes the existence of a Defect that it is covered by this Limited Warranty.

Xantrex will, at its option, use new and/or reconditioned parts in performing warranty repair and building replacement products. Xantrex reserves the right to use parts or products of original or improved design in the repair or replacement. If Xantrex repairs or replaces a product, the warranty is suspended during the repair or replacement and continues for the remaining portion of the original Warranty Period or 90 days from the date of the completed repair activity, whichever is greater. All replaced products and all parts removed from repaired products become the property of Xantrex.

Xantrex covers both parts and labour necessary to repair the product. If the product was sold in Spain, Xantrex will cover costs for products returned directly to Xantrex via a Xantrex-selected non-expedited surface freight and packing.

**How do you get service?** If you are unable to contact your dealer, or if your dealer is unable to provide service, contact Xantrex directly at the following numbers:

EUROPE:

Telephone: 34 93 470 5330

Fax: 34 93 473 6093

Email: support.europe@xantrex.com

If your dealer is unable to provide service, direct returns may be performed according to the Xantrex Return Material Authorization Policy described in your product manual. For some products, Xantrex maintains a network of regional Authorized Service Centers. Call Xantrex to see if your product can be repaired at one of these facilities.

In any warranty claim, dated proof of purchase must accompany the product and the product must not have been disassembled or modified without prior written authorization by Xantrex.

Proof of purchase may be in any one of the following forms:

- The dated purchase receipt from the original purchase of the product at point of sale to the end user, or
- The dated invoice or purchase receipt showing the product exchanged under warranty

**What does this warranty not cover?** This Limited Warranty does not cover normal wear and tear of the product or costs associated with replacing consumable items such as air filters, fuses, arrestors, etc. A shorter than normal life during the Warranty Period caused by excessive use or incorrect use is not considered a Defect. Please consult your Owner's Guide to determine the proper use of the product.

This warranty does not apply to and Xantrex will not be responsible for any damage to the product:

- a) if it has not been used in accordance with the Owner's Guide supplied with the product, if it has been damaged during shipping, mishandled, neglected, improperly installed, physically damaged or altered (either internally or externally) or damaged from improper use or use in an unsuitable environment;
- b) if it has been subjected to fire, water, generalized corrosion, biological infestations, or input voltage that creates operating conditions beyond the maximum or minimum limits listed in the Xantrex product specifications including high input voltage from generators and lightning strikes;
- c) if repairs have been done to it other than by Xantrex or an Authorized Service Center;
- d) if it is used as a component part of a product expressly warranted by another manufacturer; and
- e) if its original identification (trade-mark, serial number) markings have been defaced, altered, or removed.

## Exclusions

THIS LIMITED WARRANTY IS THE SOLE AND EXCLUSIVE WARRANTY PROVIDED BY XANTREX IN CONNECTION WITH YOUR XANTREX PRODUCT AND IS, WHERE PERMITTED BY LAW, IN LIEU OF ALL OTHER WARRANTIES, CONDITIONS, GUARANTEES, REPRESENTATIONS, OBLIGATIONS AND LIABILITIES, EXPRESS OR IMPLIED, STATUTORY OR OTHERWISE IN CONNECTION WITH THE PRODUCT, HOWEVER ARISING (WHETHER BY CONTRACT, TORT, NEGLIGENCE, PRINCIPLES OF MANUFACTURER'S LIABILITY, OPERATION OF LAW, CONDUCT, STATEMENT OR OTHERWISE) INCLUDING WITHOUT RESTRICTION ANY IMPLIED WARRANTY OR CONDITION OF QUALITY, MERCHANTABILITY OR FITNESS FOR A PARTICULAR PURPOSE. ANY IMPLIED WARRANTY OF MERCHANTABILITY OR FITNESS FOR A PARTICULAR PURPOSE TO THE EXTENT REQUIRED UNDER APPLICABLE LAW TO APPLY TO THE PRODUCT SHALL, WHERE PERMITTED BY LAW, BE LIMITED IN DURATION TO THE PERIOD STIPULATED UNDER THIS LIMITED WARRANTY.

IN NO EVENT WILL XANTREX BE LIABLE FOR ANY SPECIAL, INDIRECT, INCIDENTAL OR CONSEQUENTIAL DAMAGES, LOSSES, COSTS OR EXPENSES HOWEVER ARISING WHETHER IN CONTRACT OR TORT INCLUDING, WITHOUT RESTRICTION, ANY ECONOMIC LOSSES OF ANY KIND, ANY LOSS OR DAMAGE TO PROPERTY, OR ANY DAMAGE OR INJURY ARISING FROM OR AS A RESULT OF MISUSE OR ABUSE OR THE INCORRECT INSTALLATION, INTEGRATION OR OPERATION OF THE PRODUCT.

## Limitations on Exclusions

This Limited Warranty does not affect your rights as prescribed by law and as established in the Law on Warranties for Consumer Goods (Spain) or the German Civil Code ("BGB"). In Germany, the legal provisions regarding suspension or expiration ("Ablaufhemmung"), suspension ("Hemmung") and recommencement of limitation periods remains unaffected.

Some countries do not allow limitations or exclusions on implied warranties or on the duration of an implied warranty or on the limitation or exclusion of incidental or consequential damages, so the above limitation(s) or exclusion(s) may not apply to you.

For example, in Germany, the Exclusion above shall not apply in the case of mandatory liability, i.e. under the German Product Liability Act ("Produkthaftungsgesetz") or in the case of intent, gross negligence, and injury of life, body or health, or breach of a condition which goes to the root of the contract ("wesentliche Vertragspflichten"). However, claims for damages arising from a breach of a condition which goes to the root of the contract shall be limited to the foreseeable damage which is intrinsic to the contract, unless caused by intent or gross negligence or based on liability for injury of life, body or health. The Exclusion above in Germany also does not imply a change in the burden of proof to your detriment.

---

## Exclusion for Documentation

WITHOUT LIMITING THE GENERALITY OF THE FOREGOING, UNLESS SPECIFICALLY AGREED TO BY IT IN WRITING, XANTREX:

(A) MAKES NO WARRANTY AS TO THE ACCURACY, SUFFICIENCY OR SUITABILITY OF ANY TECHNICAL OR OTHER INFORMATION PROVIDED IN MANUALS OR OTHER DOCUMENTATION PROVIDED BY IT IN CONNECTION WITH THE PRODUCT; AND

(B) ASSUMES NO RESPONSIBILITY OR LIABILITY FOR LOSSES, DAMAGES, COSTS OR EXPENSES, WHETHER SPECIAL, DIRECT, INDIRECT, CONSEQUENTIAL OR INCIDENTAL, WHICH MIGHT ARISE OUT OF THE USE OF SUCH INFORMATION. THE USE OF ANY SUCH INFORMATION WILL BE ENTIRELY AT THE USER'S RISK.

## Warning: Limitations On Use

Please refer to your Owner's Guide for limitations on uses of the product. Specifically, please note that the Xantrex Grid Tie Solar Inverter is not intended for use in connection with life support systems or other medical equipment or devices and Xantrex makes no representation or warranty in connection with any use of the product for such purposes.

Xantrex Technology Inc.  
8999 Nelson Way  
Burnaby, British Columbia  
Canada  
V5A 4B5

## Return Material Authorization Policy

Before returning a product directly to Xantrex you must obtain a Return Material Authorization (RMA) number and the correct factory "Ship To" address. Product shipments will be refused and returned at your expense if they are unauthorized, returned without an RMA number clearly marked on the outside of the shipping box, or if they are shipped to the wrong location.

When you contact Xantrex to obtain service, please have your instruction manual ready for reference and be prepared to supply:

- The serial number of your product
- Information about the installation and use of the unit
- Information about the failure and/or reason for the return
- A copy of your dated proof of purchase

When you ship:

1. Package the unit safely, preferably using the original box and packing materials. Please ensure that your product is shipped fully insured in the original packaging or equivalent. This warranty will not apply where the product is damaged due to improper packaging.
2. Include the following:
  - The RMA number supplied by Xantrex Technology, Inc. clearly marked on the outside of the box.
  - A return address where the unit can be shipped. Post office boxes are not acceptable.
  - A contact telephone number where you can be reached during work hours.
  - A brief description of the problem.
3. Ship the unit prepaid to the address provided by your Xantrex customer service representative.

**If you are returning a product to a Xantrex Authorized Service Center (ASC)** A Xantrex return material authorization (RMA) number is not required. However, you must contact the ASC prior to returning the product or presenting the unit to verify any return procedures that may apply to that particular facility.

## Information About Your System

As soon as you open your Xantrex Grid Tie Solar Inverter package, record the following information and be sure to keep your proof of purchase.

Model Number \_\_\_\_\_  
Serial Number \_\_\_\_\_  
Purchased From \_\_\_\_\_  
Purchase Date \_\_\_\_\_

If you need to contact Customer Service, please record the following details before calling. This information will help our representatives give you better service.

### Inverter Details

Type of installation (e.g. Residential/Commercial) \_\_\_\_\_

Length of time inverter has been installed \_\_\_\_\_

AC wiring size and length \_\_\_\_\_

DC wiring size and length \_\_\_\_\_

Description of fault messages and/or indicators on front panel \_\_\_\_\_  
\_\_\_\_\_  
\_\_\_\_\_

Description of problem \_\_\_\_\_  
\_\_\_\_\_  
\_\_\_\_\_  
\_\_\_\_\_

**PV Details**

Solar Panel Mount:             Roof             Pole             Ground

Solar Panel Brand and Model:

Nominal Voltage Range:        \_\_\_\_\_ Vdc

Peak Open Circuit Voltage:    \_\_\_\_\_ Vdc

Nominal Current Rating:        \_\_\_\_\_ Adc

Maximum Current Rating:      \_\_\_\_\_ Adc

Solar Tracker?                     Yes             No

String #1:# of Panels:         \_\_\_\_\_  Series     Parallel

String #2:# of Panels:         \_\_\_\_\_  Series     Parallel

String #3:# of Panels:         \_\_\_\_\_  Series     Parallel

String #4:# of Panels:         \_\_\_\_\_  Series     Parallel





# Index

## A

- abbreviations and symbols iv
- AC circuit breaker requirements 2–9
- AC grounding requirements 2–7
- AC output voltage ratings A–2
- AC wiring instructions 3–5
- acceptable wire sizes A–6
- adjustable disconnect settings A–3

## C

- communication between multiple inverters 3–8
- communications cabling 3–10
  - installing for multiple inverters 3–12
  - standard CAT 5 wiring 3–10
- Customer Service
  - preparing to call WA–4

## D

- DC wiring instructions 3–3
- derating chart A–4
- dimensions 2–11, A–6
- display accuracy A–6

## E

- efficiency chart A–5
- electrical specifications A–2
- error messages and solutions 6–4

## F

- fault conditions and solutions 6–4
- features and options 1–3
- front panel display 1–3, 5–2
  - fault messages 5–7
  - normal operation messages 5–3
  - offline mode messages 5–5
  - reading messages 5–3
  - special messages 5–8
  - startup messages 5–3

## G

- general maintenance 6–3
- ground clearance required for installation 2–4, 2–12
- ground fault protection fuse 5–7

- grounding requirements 2–7
- GT-View 3–12
- guidelines for matching PV array size to inverter input 2–7

## H

- humidity limits A–6

## I

- information about your system form WA–4
- installation
  - grounding requirements 2–7
  - location concerns 2–4
  - mounting 2–13
  - options 2–2
  - overview 2–10
  - planning issues 2–2
  - preparing for 2–9
  - PV array requirements 2–5
  - routing wires 2–8
- inverter
  - features and options 1–3
  - installation 2–10
  - model number WA–4
  - purchase date WA–4
  - purpose 1–2
  - serial number WA–4

## L

- LEDs, *See* status LEDs
- lightning protection 2–8

## M

- maintenance, general 6–3
- maximum power point tracking, *See* MPPT
- mechanical specifications A–6
- messages, *See* front panel display
- model number WA–4
- mounting bracket
  - installing 2–12
  - on backing support 2–15
  - on poles or rails 2–14
- mounting the inverter
  - clearance requirements 2–12

- on wallboard, siding or concrete 2–15
- orientation 2–4
- overview 2–11
- preparation 2–11
- single inverter 2–16
- surfaces for 2–13
- using poles or rails 2–14

#### MPPT

- operational window 2–6
- technology 1–3

#### multiple inverters

- communication between 3–8
- communications wiring 3–12
- configuration 2–2
- installation 3–7
- messages in normal operation 5–5
- messages in offline mode 5–6

## O

#### operation

- factors affecting performance 6–2
- messages at startup 5–3
- startup procedure 4–2

## P

photovoltaic (PV) power 1–2

power derating A–6

preparing for installation 2–9

proof of purchase WA–4

purchase date WA–4

#### PV arrays

- angle of the sun 6–2
- effect of shade on performance 6–2
- factory ratings 6–2
- installation recommendations 2–5
- matching size to inverter input 2–7
- requirements 2–5
- temperature affecting performance 6–2
- types of modules 2–6
- voltage requirements 2–6

## R

RJ45 connector requirements 3–10

#### RJ45 ports

- communication between inverters 3–9

RS-232 port 3–9, 3–12, 5–7

## S

safety instructions vii

serial number WA–4

single inverter configuration 2–2

#### specifications

- electrical A–2
- mechanical A–6

standard features and options 1–3

standard test condition 6–2

#### startup procedure

- monitor front panel display 5–2
- overview 4–2

#### status LEDs

- description 5–10
- do not illuminate 6–4
- red LED is on 6–4

## T

#### temperature

- affecting PV array performance 6–2
- range for locating Xantrex GT Inverter 2–4

terminators, male network 3–9

thermal derating chart A–4

troubleshooting the GT Inverter 6–4

## W

#### warranty

- terms and conditions WA–1

weight A–6

wire stripping length, recommended 2–9

#### wiring

- acceptable wire sizes A–6
- information 2–9
- preparation for 2–9
- PV array to Xantrex GT Inverter 3–3
- routing wires 2–8

## X

Xanbus technology 3–8

Xantrex web site v



**Xantrex Technology Inc.**

34 93 470 5330 Telephone  
34 93 473 6093 Fax  
support.europe@xantrex.com  
www.xantrex.com