

SPARE PARTS CATALOGUE

PORTABLE ENGINE GENERATOR

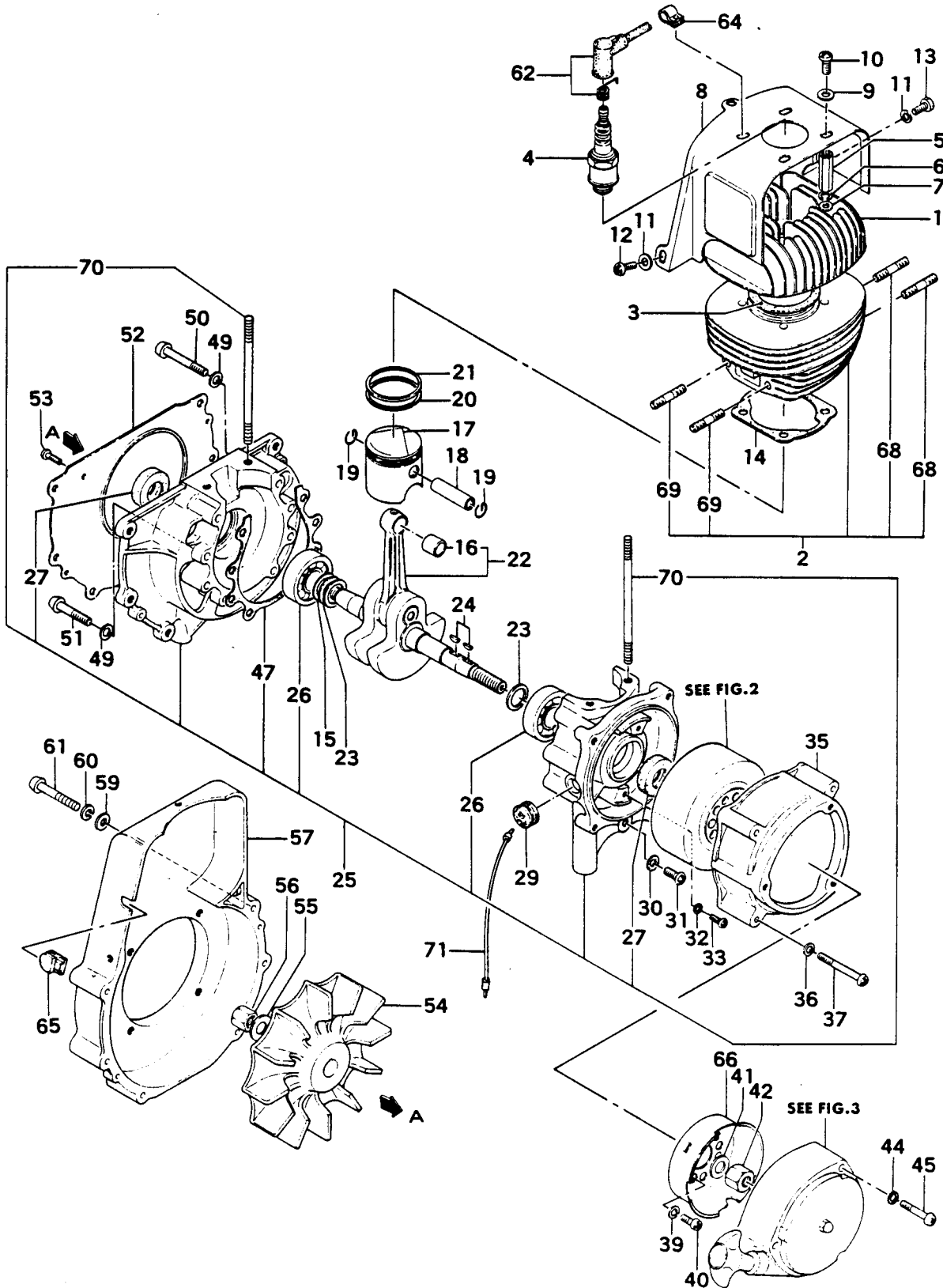
MODEL

DEG-600

(Including Aqua Bug model)

The logo features the letters "TAS" in a stylized font inside a horizontal oval, positioned above the word "Tanaka" in a bold, sans-serif typeface.

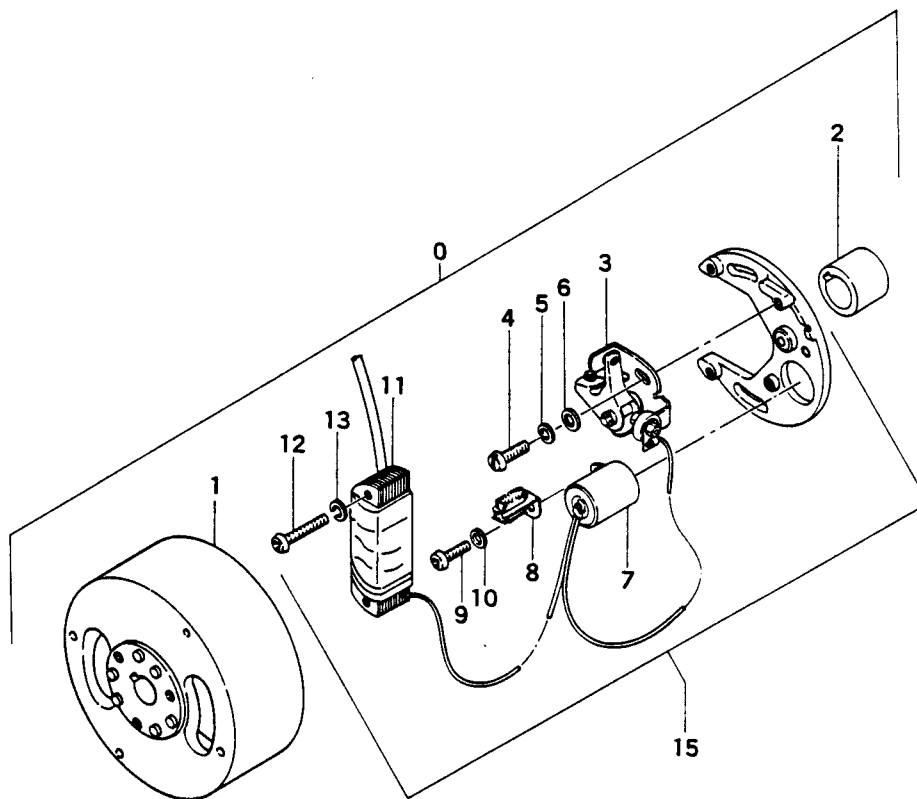
FIG. 1 ENGINE



REFERENCE NUMBER	PRODUCTION PART NUMBER	PART NAME	QUANTITY	SERIAL NUMBER	SPARE PART NUMBER
FIG.1 ENGINE					
1-001	014-10112-201	CYLINDER HEAD	1	014 0020	5
1-002	002-10114-803	CYLINDER COMP.	1	002 0620	6
1-003	015-10100-201	CYLINDER HEAD GASKET	1	015 0010	5
1-004	018-11401-200	SPARK PLUG B-7S	1	018 0240	3
1-005	024-11100-200	CYLINDER HEAD NUT 6X33	4	024 0030	5
1-006	992-10060-012	S.WASHER 6	4	992 1019	7
1-007	992-01060-011	WASHER 6	4	992 0040	8
1-008	016-10109-201	CYLINDER SHROUD/D50	1	016 0510	7
1-009	992-01060-011	WASHER 6	4	992 0040	8
1-010	990-11060-121	SCREW 6X12	4	990 1119	6
1-011	992-01050-011	WASHER 5	3	992 0035	6
1-012	990-11050-081	SCREW 5X8	2	990 1060	7
1-013	990-21050-081	BOLT 5X8	1	990 2012	9
1-014	017-10100-202	CYLINDER GASKET/UL	1	017 0180	1
1-015	071-11109-220	CRANK SHAFT SHIM 0.15	V	071 0082	2
1-015	071-11109-230	CRANK SHAFT SHIM 0.20	V	071 0083	1
1-015	071-11109-240	CRANK SHAFT SHIM 0.30	V	071 0084	0
1-016	999-62101-004	NEEDLE BEARING F1010B	1	999 6208	1
1-017	031-10100-210	PISTON	1	031 0191	1
1-018	037-10100-200	PISTON PIN 10X35	1	037 0080	4
1-019	039-02000-201	PISTON PIN CIRCLIP	2	039 0030	3
1-020	041-10100-201	PISTON RING/LOWER	1	041 0100	2
1-021	040-10100-200	PISTON RING/TOP	1	040 0070	1
1-022	046-10117-800	CRANK SHAFT COMP.	1	046 0580	5
1-023	070-10100-200	CRANK SHAFT WASHER	2	070 0030	2
1-024	068-02000-200	WOOD-RUFF KEY 3X13X5	3	068 0040	2
1-025	072-10114-900	CRANK CASE ASS'Y	1	072 0090	8
1-026	999-61620-300	BALL BEARING #6203	2	999 6143	1
1-027	999-66153-000	OIL SEAL 15307	2	999 6627	8
1-029	202-10100-203	SECONDARY CORD GROMMET	1	202 0080	2
1-030	317-02000-200	DRAIN GASKET 6	1	317 0020	9
1-031	990-11060-101	SCREW 6X10	1	990 1116	9
1-032	992-01040-011	WASHER 4	2	992 0031	0
1-033	990-11040-121	SCREW 4X12	2	990 1033	3
1-035	806-04007-200	STARTER BASE	1	806 0040	8
1-036	992-10050-012	S.WASHER 5	4	992 1012	4
1-037	990-11050-451	SCREW 5X45	4	990 1098	0
1-039	992-10060-012	S.WASHER 6	3	992 1019	7
1-040	990-11060-121	SCREW 6X12	3	990 1119	6
1-041	065-02501-200	FLYWHEEL WASHER	1	065 0020	7
1-042	066-02300-201	FLYWHEEL NUT	1	066 0081	5
1-044	992-10050-012	S.WASHER 5	3	992 1012	4
1-045	990-11050-451	SCREW 5X45	3	990 1098	0
1-047	090-10107-201	CRANK CASE GASKET	1	090 0200	3
1-049	992-10060-012	S.WASHER 6	6	992 1019	7
1-050	990-11060-351	SCREW 6X35	4	990 1149	7
1-051	990-11060-401	SCREW 6X40	2	990 1152	1
1-052	091-10107-201	PARTITION PLATE	1	091 0080	0
1-053	990-11040-081	SCREW 4X8	2	990 1026	3
1-054	113-10114-805	FAN COMP.	1	113 0100	8
1-055	992-01100-011	WASHER 10	1	992 0053	2
1-056	991-01100-011	NUT 10/L.H.THREAD	1	991 0035	9
1-057	112-10114-200	FAN CASE	1	112 0910	2
1-059	992-01050-011	WASHER 5	6	992 0035	6

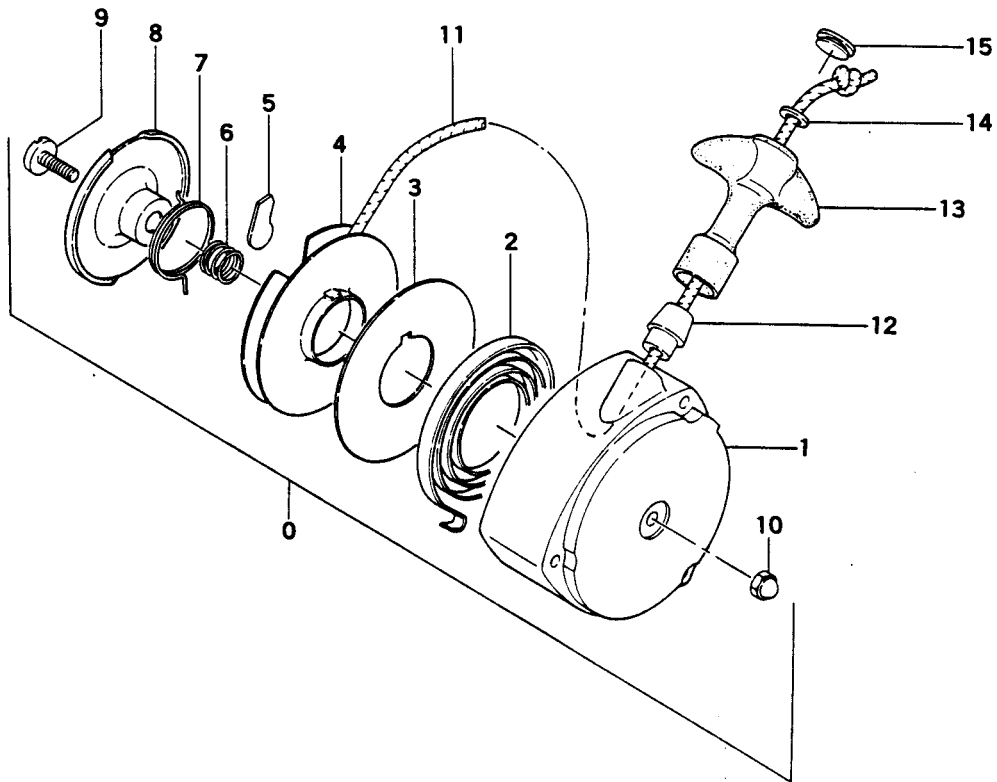
REFERENCE NUMBER	PRODUCTION PART NUMBER	PART NAME	QUANTITY	SERIAL NUMBER	SPARE PART NUMBER
FIG.1 ENGINE					
1-060	992-10050-012	S.WASHER 5	6	992 1012 4	
1-061	990-11050-401	SCREW 5X40	6	990 1095 3	
1-062	157-04000-900	SPARK PLUG CAP ASS'Y	1	157 0050 0	
1-064	198-11109-200	CORD CLAMP L	1	198 0170 6	
1-065	204-10105-201	CORD GROMMET	1	204 0010 7	
1-066	798-10108-200	STARTER PULLEY	1	798 0170 2	
1-068	100-02100-200	STUD BOLT 6X22	2	100 0090 4	
1-069	100-10114-200	STUD BOLT 5X40	2	100 0140 2	
1-070	100-10100-200	STUD BOLT 6X100	4	100 0120 8	
1-071	268-10114-800	STOP CORD COMP.	1	268 0020 0	

FIG.2 FLYWHEEL MAGNETO



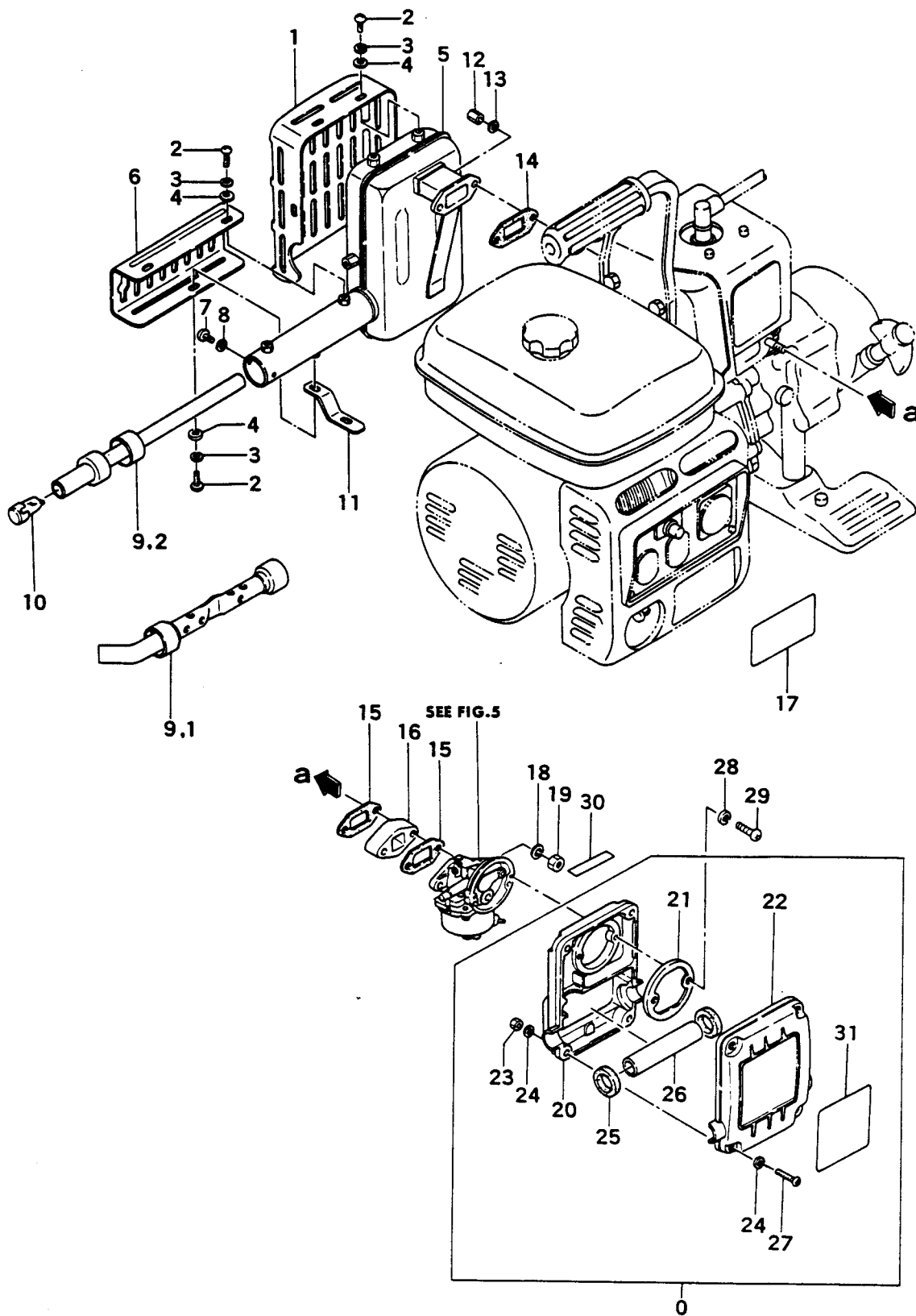
REFERENCE NUMBER	PRODUCTION PART NUMBER	PART NAME	QUANTITY	SERIAL NUMBER	SPARE PART NUMBER
FIG.2 FLYWHEEL MAGNETO					
2-000	150-20102-900	MAGNETO ASS'Y FERRITE	1		150 0080 2
2-001	155-20102-800	MAGNETO ROTOR COMP.	1		155 0370 0
2-002	246-20102-200	MAGNETO CAM	1		246 0060 8
2-003	159-20001-900	CONTACT BREAKER ASS'Y	1		159 0060 1
2-004	990-01040-101	SCREW 4X10	1		990 0007 9
2-005	992-10040-012	S.WASHER 4	1		992 1007 2
2-006	992-01040-011	WASHER 4	1		992 0031 0
2-007	177-20001-800	CONDENSER COMP.	1		177 0030 2
2-008	185-20001-800	LUBE FELT COMP.	1		185 0030 1
2-009	990-11040-101	SCREW 4X10	1		990 1029 0
2-010	992-01040-011	WASHER 4	1		992 0031 0
2-011	167-20102-800	IGNITION COIL COMP.	1		167 0050 3
2-012	990-11040-281	SCREW 4X28	2		990 1052 8
2-013	992-10040-012	S.WASHER 4	2		992 1007 2
2-015	156-20102-900	MAGNETO STATOR ASS'Y	1		156 0070 7

FIG.3 RECOIL STARTER



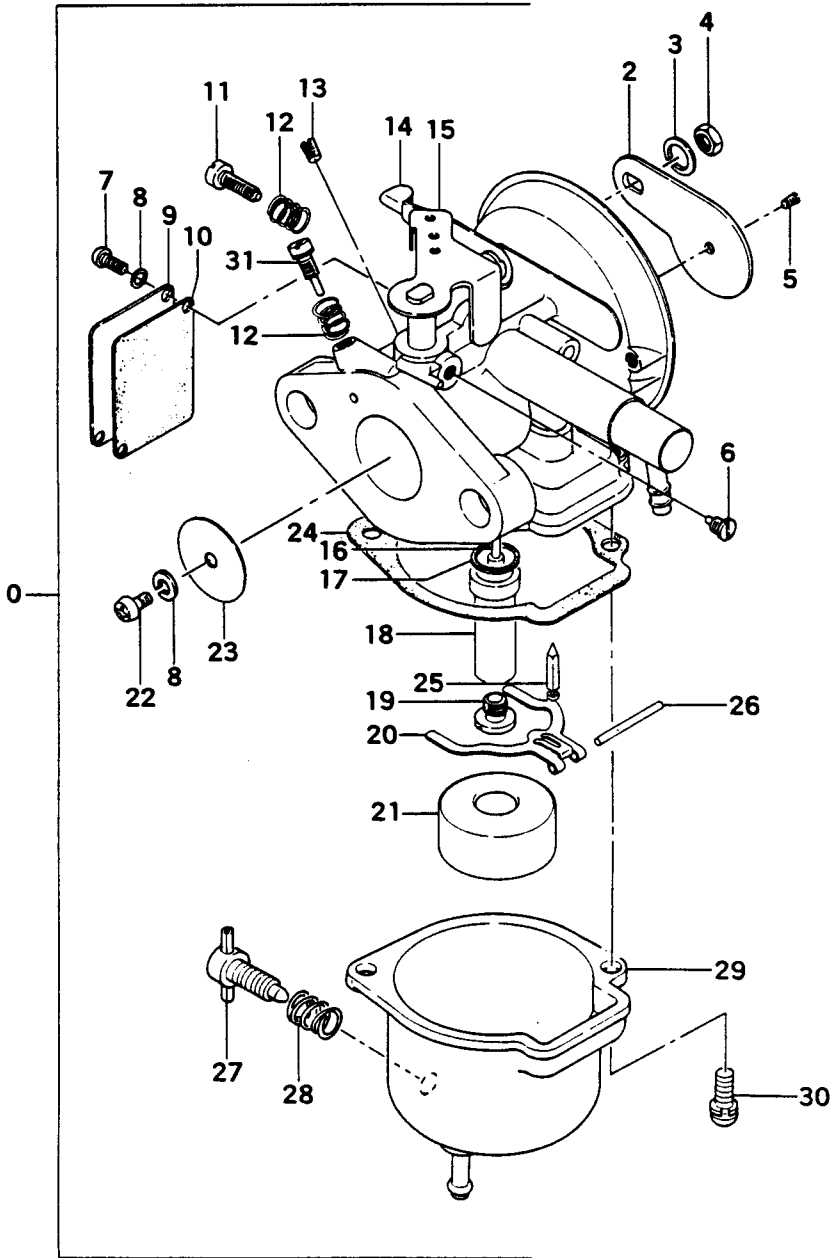
REFERENCE NUMBER	PRODUCTION PART NUMBER	PART NAME	QUANTITY	SERIAL NUMBER	SPARE PART NUMBER
FIG.3 RECOIL STARTER					
3-000	762-10108-901	RECOIL STARTER BODY ASS'Y	1	762 0100	2
3-001	772-10118-200	RECOIL STARTER BUODY	1	772 0550	2
3-002	779-02400-200	RECOIL SPRING	1	779 0070	0
3-003	827-02400-200	RECOIL SPRING CASE	1	827 0000	3
3-004	769-02400-800	STARTER ROPE REEL	1	769 0030	9
3-005	788-02400-200	STARTER PAWL	2	788 0050	2
3-006	836-02400-200	FRICTIUN SPRING	1	836 0020	3
3-007	832-02400-200	RETURN SPRING	1	832 0020	5
3-008	837-02400-200	FRICTIUN PLATE	1	837 0020	0
3-009	839-02400-200	SET BOLT	1	839 0010	7
3-010	991-41050-022	CAP NUT 5	1	991 4000	9
3-011	783-02400-200	ROPE	1	783 0080	8
3-012	780-10118-200	ROPE GUIDE	1	780 0100	4
3-013	785-10118-200	STARTER HANDLE	1	785 0090	9
3-014	992-01040-011	WASHER 4	1	992 0031	0
3-015	835-10118-200	STARTER HANDLE CAP	1	835 0020	6

FIG.4 MUFFLER & AIR CLEANER



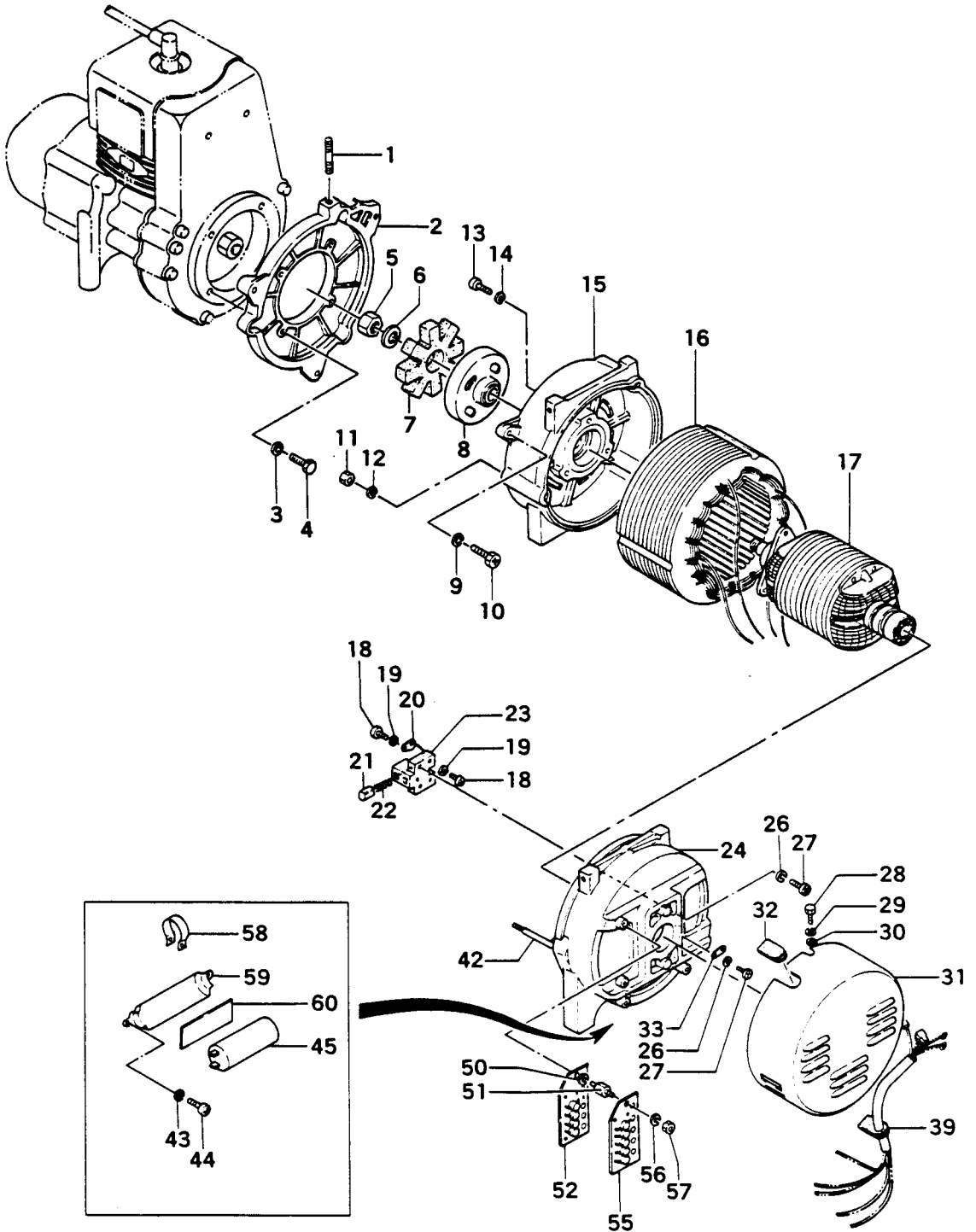
REFERENCE NUMBER	PRODUCTION PART NUMBER	PART NAME	QUANTITY	SERIAL NUMBER	SPARE PART NUMBER
FIG.4 MUFFLER & AIR CLEANER					
4-000	410-10114-900	AIR CLEANER ASS'Y	1	410 0560	4
4-001	738-10114-801	MUFFLER PROTECTOR	1	738 0650	5
4-002	990-11060-081	SCREW 6X8	7	990 1112	3
4-003	992-10060-012	S.WASHER 6	7	992 1019	7
4-004	992-00060-011	SMALL WASHER 6	7	992 0013	4
4-005	706-10114-802	MUFFLER COMP.	1	706 1200	4
4-006	752-10114-202	HEAT SHIELD	1	752 0030	7
4-007	990-11060-081	SCREW 6X8	1	990 1112	3
4-008	992-10060-012	S.WASHER 6	1	992 1019	7
4-009,1	712-30600-802	DIFFUSER PIPE COMP.	1	712 0030	5
4-009,2	712-30612-800	DIFFUSER PIPE COMP. USA	1	712 0070	3
4-010	732-00555-800	SPARK ARRESTER COMP.	1	732 0090	3
4-011	733-10114-200	MUFFLER STAY	1	733 0130	1
4-012	991-80060-121	NUT 6	2	991 8004	1
4-013	992-10060-012	S.WASHER 6	2	992 1019	7
4-014	737-10100-200	MUFFLER GASKET	1	737 0200	1
4-015	403-10114-202	INLET MANIFOLD GASKET	2	403 0200	1
4-016	404-10114-200	CARBURETOR INSULATOR	1	404 0210	5
4-017	904-30605-211	NAME PLATE DEG	1	904 0211	9
4-017	904-30612-200	NAME PLATE AQUABUG	1	904 0420	3
4-018	992-10050-012	S.WASHER 5	2	992 1012	4
4-019	991-01050-011	HEX. NUT 5	2	991 0015	5
4-020	423-10114-201	AIR CLEANER BODY	1	423 0320	4
4-021	425-03000-200	CLEANER HOLDER A	1	425 0100	8
4-022	424-10114-201	AIR CLEANER COVER	1	424 0340	5
4-023	991-01050-013	NUT 5	4	991 0017	3
4-024	992-00050-011	SMALL WASHER 5	8	992 0009	1
4-025	469-10114-200	SIDE SEAL SPONGE	2	469 0000	5
4-026	421-10114-200	CLEANER ELEMENT	1	421 0050	2
4-027	990-11050-121	SCREW 5X12	4	990 1065	2
4-028	992-10040-012	S.WASHER 4	2	992 1007	2
4-029	990-11040-161	SCREW 4X16	2	990 1040	3
4-030	908-00803-200	CHOKE MARK	1	908 0010	2
4-031	894-30601-200	CAUTION MARK	1	894 0070	2

FIG.5 CARBURETOR



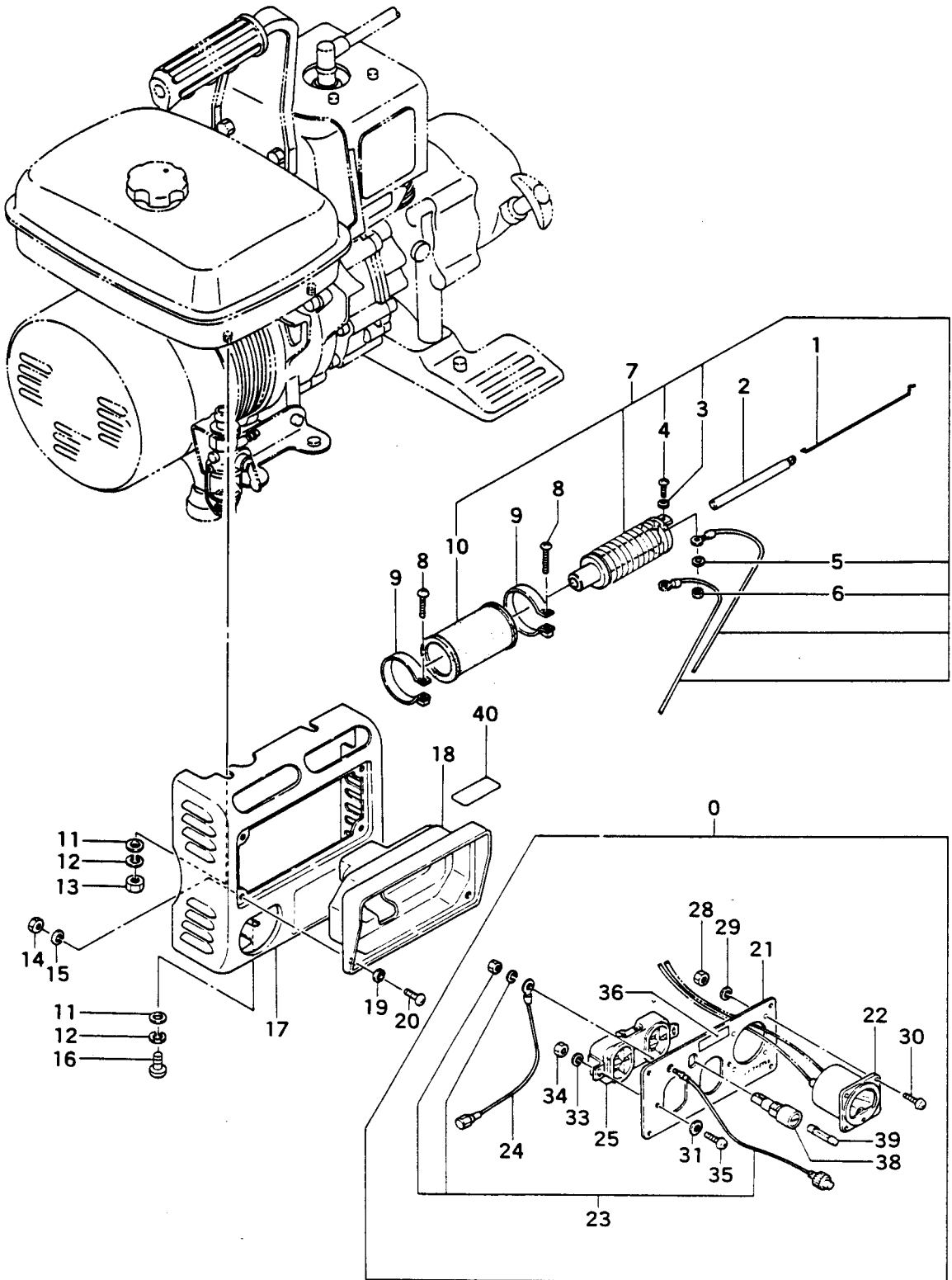
REFERENCE NUMBER	PRODUCTION PART NUMBER	PART NAME	QUANTITY	SERIAL NUMBER	SPARE PART NUMBER
FIG.5 CARBURETOR					
5-000	455-21100-901	CARBURETOR ASS*Y	1	455 0890	1
5-002	436-21100-800	SHUTTER PLATE COMP.	1	436 0100	8
5-003	992-10060-012	S.WASHER 6	1	992 1019	7
5-004	991-01060-011	HEX. NUT 6	1	991 0022	5
5-005	441-21100-200	SLOW AIR JET	1	441 0010	0
5-006	546-21100-200	GUIDE SCREW	1	546 0000	9
5-007	990-11030-061	SCREW 3X6	2	990 1012	0
5-008	992-00030-011	SMALL WASHER 3	3	992 0004	6
5-009	442-21100-200	STOP PLATE	1	442 0010	7
5-010	443-21100-200	STOP PLATE GASKET	1	443 0050	2
5-011	440-21100-200	SLOW ADJUSTING SCREW	1	440 0010	3
5-012	623-21100-200	ADJUST SPRING	2	623 0090	6
5-013	600-21100-200	PILOT JET	1	600 0040	4
5-014	523-21100-200	CHOKE CONTROL LEVER	1	523 0030	3
5-015	254-21100-200	THROTTLE LEVER ASS*Y	1	254 0050	0
5-016	498-21100-200	MAIN NOZZLE	1	498 0040	5
5-017	569-21100-200	PIPE GASKET	1	569 0000	6
5-018	444-21100-200	SLOW PIPE	1	444 0130	8
5-019	471-21100-200	MAIN JET	1	471 0000	2
5-020	628-21100-200	FLOAT APM	1	628 0480	6
5-021	604-21100-200	FLOAT	1	604 0130	8
5-022	445-21100-200	PAN HEAD SCREW	1	445 0060	3
5-023	446-21100-200	THROTTLE VALVE	1	446 0110	8
5-024	607-21100-200	FLOAT CHAMBER GASKET	1	607 0340	2
5-025	603-21100-200	NEEDLE VALVE	1	603 0180	6
5-026	605-21100-200	FLOAT PIN	1	605 0100	4
5-027	627-21100-200	DRAIN PLUG	1	627 0050	6
5-028	529-21100-200	DRAIN SPRING	1	529 0020	8
5-029	606-21100-900	FLOAT CHAMBER ASS*Y	1	606 0180	7
5-030	994-34040-121	SCREW 4X12/S	2	994 3034	8
5-031	622-21100-200	SCREW/CARBURETOR	1	622 0120	3

FIG.6 GENERATOR



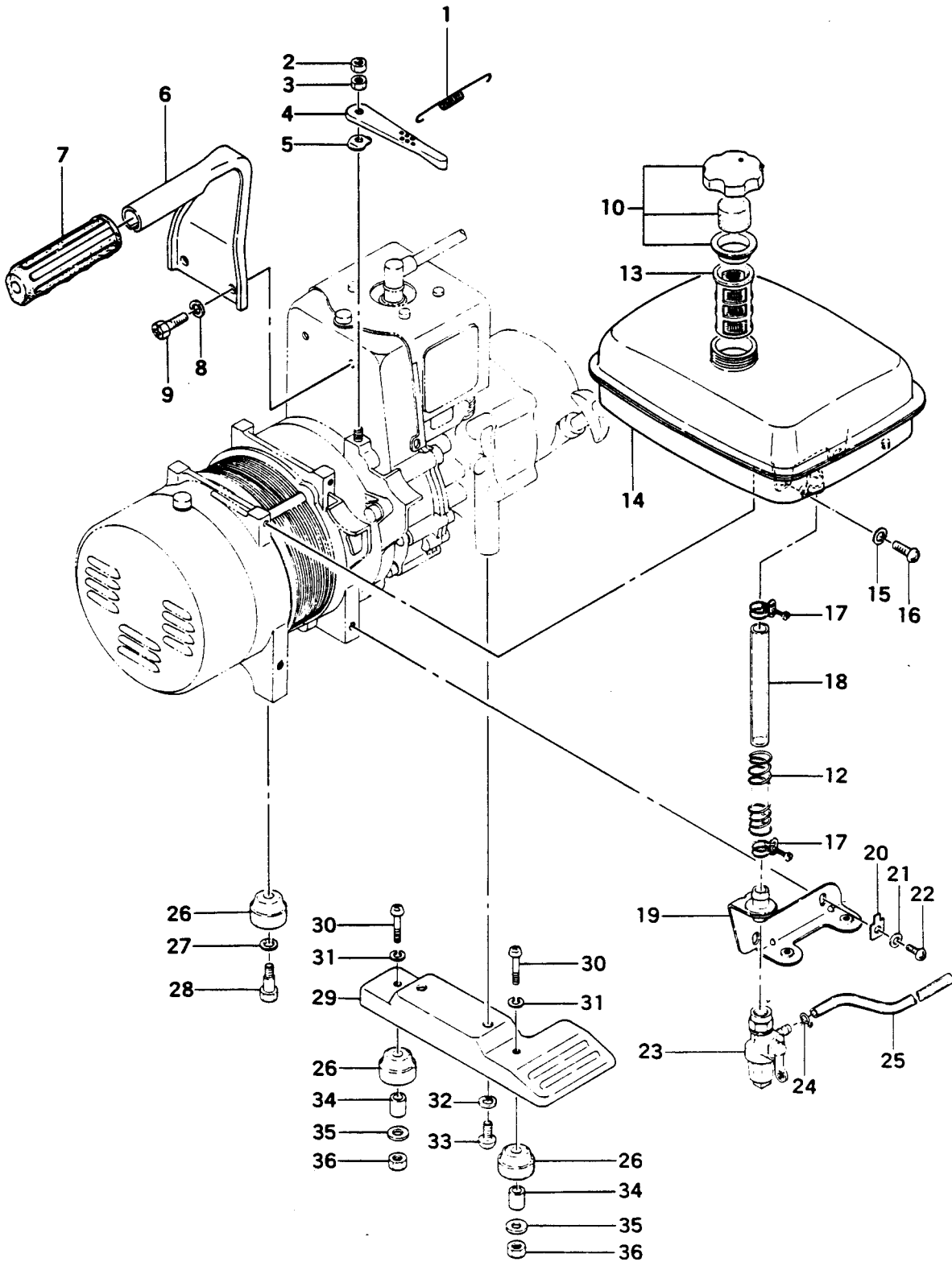
REFERENCE NUMBER	PRODUCTION PART NUMBER	PART NAME	QUANTITY	SERIAL NUMBER	SPARE PART NUMBER
FIG.6 GENERATOR					
6-001	100-11109-200	STUD BOLT 6X24	1	100 0190	7
6-002	113-30600-202	HOUSING	1	113 0150	3
6-003	792-10060-012	S.WASHER 6	4	992 1019	7
6-004	990-21060-201	BOLT 6X20	4	990 2041	1
6-005	991-01100-011	NUT 10/L.H.THREAD	1	991 0035	9
6-006	992-01100-011	WASHER 10	1	992 0053	2
6-007	030-30200-200	COUPLING RUBBER	1	030 0010	6
6-008	028-30600-800	COUPLING COMP.	1	028 0020	6
6-009	992-10080-012	S.WASHER 8	3	992 1026	7
6-010	990-23080-201	PLUS BOLT 8X20	3	990 2143	2
6-011	991-01060-011	HEX. NUT 6	3	991 0022	5
6-012	992-10060-012	S.WASHER 6	3	992 1019	7
6-013	990-11060-251	SCREW 6X25	3	990 1141	5
6-014	992-10060-012	S.WASHER 6	3	992 1019	7
6-015	105-30600-801	REAR CASE COMP.	1	105 0040	4
6-016	066-30605-900	STATOR ASS'Y 115-60	1	066 0490	5
6-017	006-30600-900	ROTOR ASS'Y	1	006 0080	8
6-018	990-11040-061	SCREW 4X6	4	990 1025	4
6-019	992-10040-012	S.WASHER 4	4	992 1007	2
6-020	126-30200-200	RAG PLATE 4	4	126 0030	0
6-021	119-30400-200	BRUSH	2	119 0020	1
6-022	120-30400-200	BRUSH SPRING	2	120 0050	2
6-023	117-30400-800	BRUSH HOLDER COMP./REG	1	117 0030	4
6-024	110-30600-805	FRONT CASE COMP.	1	110 0060	6
6-026	992-10040-012	S.WASHER 4	2	992 1007	2
6-027	990-11040-161	SCREW 4X16	2	990 1040	3
6-028	990-21050-081	BOLT 5X8	2	990 2012	9
6-029	992-10050-012	S.WASHER 5	2	992 1012	4
6-030	992-00050-011	SMALL WASHER 5	2	992 0009	1
6-031	184-30700-201	FRONT CASE COVER	1	184 0030	4
6-032	301-30600-202	SWITCH BOARD GROMMET B	1	301 0080	6
6-033	126-30200-200	RAG PLATE 4	1	126 0030	0
6-039	300-30700-203	SWITCH BOARD GROMMET	1	300 0192	7
6-042	100-11501-200	STUD BOLT 6X111	3	100 0200	7
6-043	992-10050-012	S.WASHER 5	2	992 1012	4
6-044	990-11050-101	SCREW 5X10	2	990 1062	5
6-045	128-30202-200	CONDENSER 160,220	1	128 0070	2
6-050	992-00050-011	SMALL WASHER 5	2	992 0009	1
6-051	134-30600-200	STEP BOLT	2	134 0080	4
6-052	132-30600-820	R DIODE,B	1	132 0362	3
6-055	121-30600-820	R DIODE,A	1	121 0022	6
6-056	992-00050-011	SMALL WASHER 5	2	992 0009	1
6-057	991-01050-011	HEX. NUT 5	2	991 0015	5
6-058	114-30700-200	CONDENSER HOLDER A	1	114 0030	3
6-059	115-30700-200	CONDENSER HOLDER	1	115 0050	4
6-060	112-30700-200	CONDENSER GASKET B	1	112 1330	7

FIG.7 SWITCH BOARD



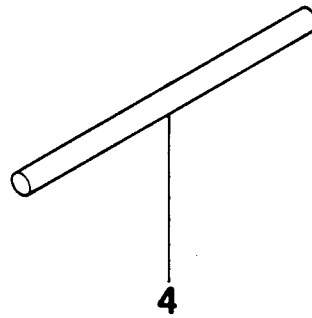
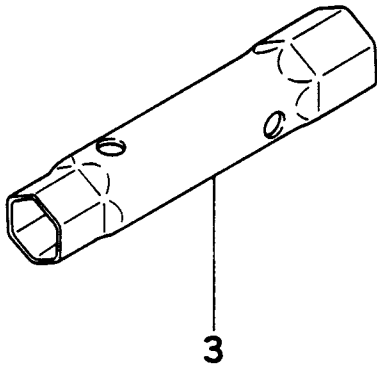
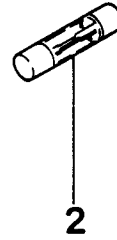
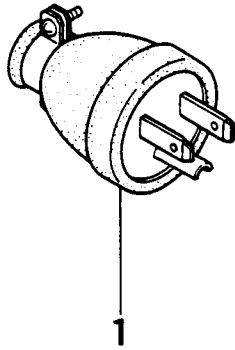
REFERENCE NUMBER	PRODUCTION PART NUMBER	PART NAME	QUANTITY	SERIAL NUMBER	SPARE PART NUMBER
FIG.7 SWITCH BOARD					
7-000	185-30604-920	SWITCH BOARD ASS'Y 115-50,60	1		185 0211 2
7-001	395-30600-202	GOVERNOR ROD	1		395 0070 4
7-002	266-30700-201	GOVERNOR PLUNGER	1		266 0020 6
7-003	992-00030-011	SMALL WASHER 3	2		992 0004 6
7-004	990-11030-081	SCREW 3X8	2		990 1014 8
7-005	992-10030-012	S.WASHER 3	2		992 1002 7
7-006	991-01030-011	HEX. NUT 3	2		991 0007 6
7-007	405-30800-900	GOVERNOR ASS'Y	1		405 0060 1
7-008	990-11040-301	SCREW 4X30	2		990 1054 6
7-009	268-30600-800	GOVERNOR BAND COMP.	2		268 0050 1
7-010	368-30600-202	GOVERNOR COVER RUBBER	1		368 0030 8
7-011	992-01060-011	WASHER 6	4		992 0040 8
7-012	992-10060-012	S.WASHER 6	4		992 1019 7
7-013	991-01060-011	HEX. NUT 6	2		991 0022 5
7-014	991-01050-011	HEX. NUT 5	4		991 0015 5
7-015	992-10050-012	S.WASHER 5	4		992 1012 4
7-016	990-11060-101	SCREW 6X10	2		990 1116 9
7-017	184-30600-806	SWITCH BOARD COVER COMP.	1		184 0020 7
7-018	169-30600-203	SWITCH BOARD COVER	1		169 0010 9
7-019	992-00050-011	SMALL WASHER 5	4		992 0009 1
7-020	990-11050-081	SCREW 5X8	4		990 1060 7
7-021	183-30602-203	SWITCH BOARD	1		183 0040 4
7-022	189-30402-920	VOLTMETER ASS'Y 115-50,60	1		189 0021 1
7-023	170-10114-800	STOP BUTTON COMP.	1		170 0190 8
7-024	207-30600-800	GROUND TERMINAL COMP.	1		207 0010 8
7-025	178-30700-901	AC RECEPTACLE ASS'Y	1		178 0610 3
7-028	991-01030-011	HEX. NUT 3	4		991 0007 6
7-029	992-10030-012	S.WASHER 3	4		992 1002 7
7-030	990-11030-101	SCREW 3X10	4		990 1016 6
7-031	992-00040-011	SMALL WASHER 4	2		992 0008 2
7-033	992-10040-012	S.WASHER 4	2		992 1007 2
7-034	991-01040-011	HEX. NUT 4	2		991 0011 9
7-035	990-11040-081	SCREW 4X8	2		990 1026 3
7-036	899-30604-200	MARK/FUSE/5A	1		899 0040 6
7-038	188-30410-900	FUSE HOLDER	1		188 0060 3
7-039	190-30604-200	FUSE/5A	1		190 0060 0
7-040	910-30600-200	LEVER MARK	1		910 0050 7

FIG.8 FUEL TANK, HANDLE, etc.



REFERENCE NUMBER	PRODUCTION PART NUMBER	PART NAME	QUANTITY	SERIAL NUMBER	SPARE PART NUMBER
FIG.8 FUEL TANK, HANDLE, etc.					
8-001	397-30600-201	GOVERNOR SPRING A	1		397 0081 4
8-002	991-01060-013	NUT 6	1		991 0024 3
8-003	991-01060-011	HEX. NUT 6	1		991 0022 5
8-004	384-30600-202	CONTROL LEVER	1		384 0040 3
8-005	852-10107-200	WAVE WASHER	1		852 0000 7
8-006	258-30600-207	HANDLE	1		258 0061 4
8-007	266-30600-201	HANDLE GRIP	1		266 0010 9
8-008	992-10080-012	S.WASHER 8	2		992 1026 7
8-009	990-23080-161	PLUS BOLT 8X16	2		990 2142 3
8-010	595-11109-900	TANK CAP ASS'Y	1		595 0600 5
8-012	702-30600-200	PROTECTION COIL	1		702 0100 4
8-013	604-11109-801	TANK FILTER COMP.	1		604 0010 1
8-014	591-10114-804	TANK COMP.	1		591 0530 5
8-015	992-10060-012	S.WASHER 6	4		992 1019 7
8-016	990-11060-121	SCREW 6X12	4		990 1119 6
8-017	680-10114-203	CLIP 13	2		680 0200 6
8-018	699-10114-201	FUEL PIPE A	1		699 0110 6
8-019	711-10114-802	PET-COCK STAY COMP.	1		711 0000 7
8-020	208-30600-200	TAB	1		208 0010 5
8-021	992-10060-012	S.WASHER 6	2		992 1019 7
8-022	990-11060-101	SCREW 6X10	2		990 1116 9
8-023	592-03112-900	PET-COCK ASS'Y	1		592 0130 0
8-024	680-01004-200	CLIP 8	1		680 0110 0
8-025	700-05008-300	FUEL PIPE 5X8X300	1		700 1200 2
8-026	312-30200-200	RUBBER BASE	4		312 0020 4
8-027	992-01100-011	WASHER 10	2		992 0053 2
8-028	314-30600-200	STEP BOLT 8	2		318 0080 8
8-029	317-30600-202	BASE	1		317 0060 7
8-030	990-11060-251	SCREW 6X25	2		990 1141 5
8-031	992-10060-012	S.WASHER 6	2		992 1019 7
8-032	992-10080-012	S.WASHER 8	2		992 1026 7
8-033	990-11080-121	SCREW 8X12	2		990 1168 2
8-034	321-30410-200	COLLAR	2		321 0000 6
8-035	359-02103-200	CLUTCH WASHER B	2		359 0010 8
8-036	991-01060-011	HEX. NUT 6	2		991 0022 5

FIG.9 TOOLS & OPTIONAL PARTS



REFERENCE NUMBER	PRODUCTION PART NUMBER	PART NAME	QUANTITY	SERIAL NUMBER	SPARE PART NUMBER
FIG.9 TOOLS & OPTIONAL PARTS					
9-001	925-30204-800	PLUG COMP.	1		925 0020 4
9-002	190-30604-200	FUSE/5A	2		190 0060 0
9-003	823-20000-201	BOX SPANNER 17X21	1		823 0020 9
9-004	951-20000-200	HANDLE 8X120	1		951 0010 8