



# PARTS CATALOG

# Robin

## Generator

Model

**RGX1810**

**RGX2410**

 **FUJI HEAVY INDUSTRIES LTD.**

ISSUE EMD-GP0994

# HOW TO USE THIS PARTS CATALOG

## 1. Reference numbers with an asterisk




Reference numbers marked with an asterisk indicate that the particular part is available only as a complete set or assembly.

### Example :

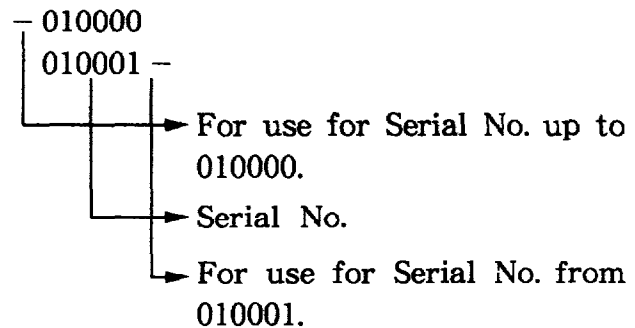
If the reference number is marked with an asterisk and the description of the part states that certain items are included, this means that those included items cannot be ordered separately and must be purchased as a complete assembly.

## 2. Description of interchangeability and execution columns

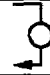

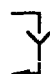
Example : Interchangeability column

-  Items interchangeable between the new and old parts.
-  Items not interchangeable between the new and old parts.
-  Items conditionally interchangeable between the new and old parts which are subject to the description in the execution column.

Example : Execution column



Example : Interchangeable

Part Number	Interchangeability Symbol	Execution	Explanation
Part B		020000 -	This indicates that Part A changed to Part B for generators with serial numbers from 20000, and that they are interchangeable.
Part C Part B Part A		020000 - 015000 -	This indicates that Part A changed to Part B for generators with serial numbers from 15000, and that they are not interchangeable. Also, Part B changed to Part C for generators with serial numbers from 20000 and that they are interchangeable.
Part A		020000 -	This indicates that Part A is a new part for generators with serial numbers with from 20000.
Part B		- 030000	This indicates that Part B is no longer used for generator with serial numbers from 30001.
Part B Part A		020000 -	This indicates that Part A changed to Part B for generators with serial numbers from 20000, and that they are conditionally interchangeable. (See NOTE described at the end of the section.)

## 3. The contents of this parts catalog are subject to revision without notice.

To INSURE PROMPT AND ACCURATE SERVICE, ALSO THE FOLLOWING INFORMATION MUST BE GIVEN.

1. State exactly the quantity of each part and its part numbers.
2. Clearly state whether parts are to be shipped by express, freight or parcel post.
3. State the exact mailing address.

# CONTENTS

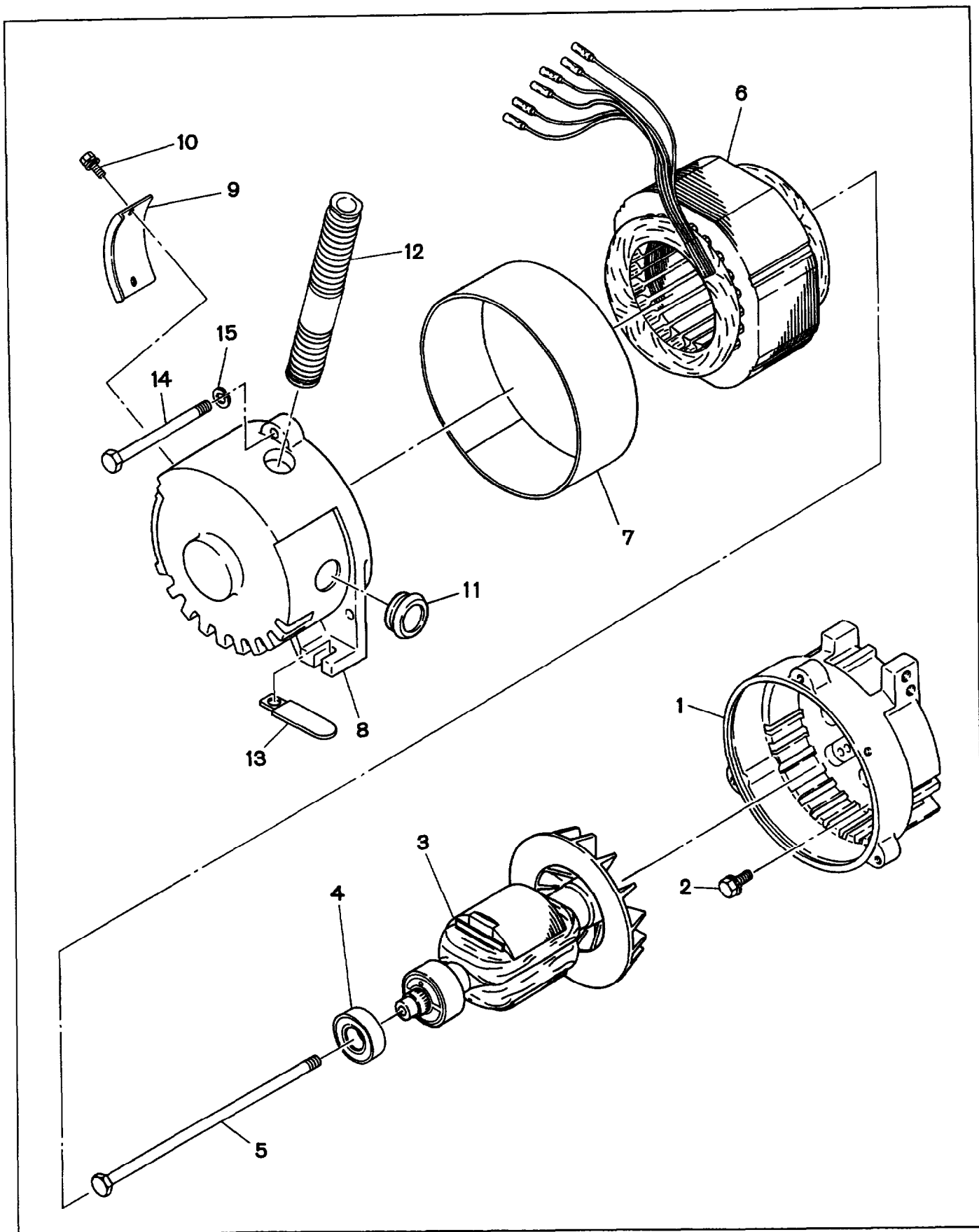
## GENERATOR PARTS

	Page
FIG. 1 GENERATOR.....	1
FIG. 2 PIPE FRAME and FUEL TANK .....	3
FIG. 3-1 CONTROL BOX (220V, 240V) (FOR RGX1810).....	5
FIG. 3-2 CONTROL BOX (220V, 240V) (FOR RGX2410).....	9
FIG. 3-3 CONTROL BOX (60Hz-110V) .....	13
FIG. 3-4 CONTROL BOX (60Hz-110V/220V) .....	15

## ENGINE PARTS

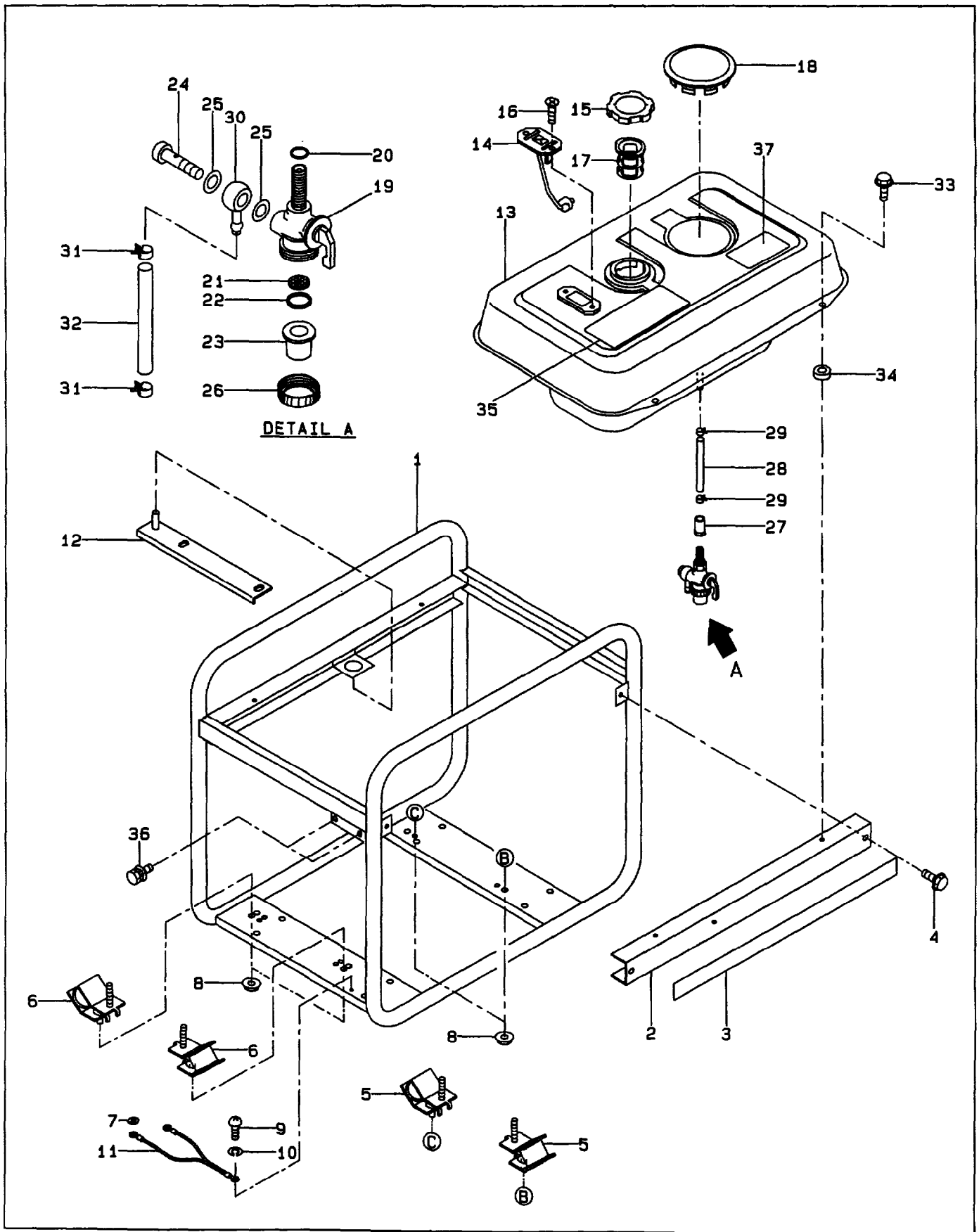
FIG. 4 CRANKCASE GROUP.....	17
FIG. 5 CRANKSHAFT and PISTON GROUP.....	19
FIG. 6 INTAKE and EXHAUST GROUP .....	21
FIG. 7 GOVERNOR, OPERATE GROUP .....	23
FIG. 8 COOLING and STARTING GROUP .....	25
FIG. 9 FUEL, LUBRICANT GROUP.....	27
FIG. 10 ELECTRIC DEVICE GROUP.....	29
FIG. 11 ACCESSORIES GROUP .....	33
FIG. 12 WHEEL, HANDLE and HANGER.....	35

FIG. 1 GENERATOR



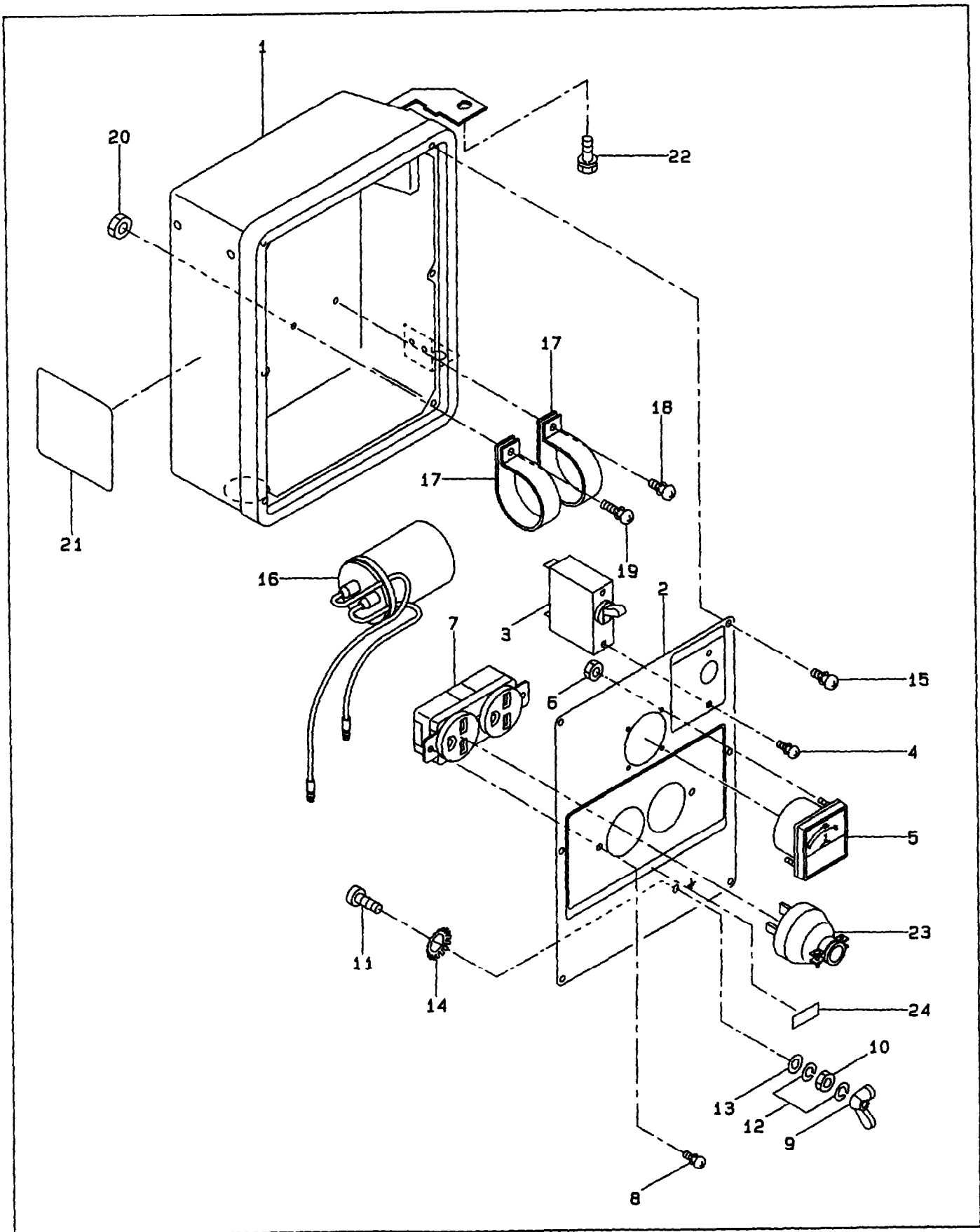


**FIG. 2 PIPE FRAME and FUEL TANK**





**FIG. 3-1 CONTROL BOX (220V, 240V) (FOR RGX1810)**



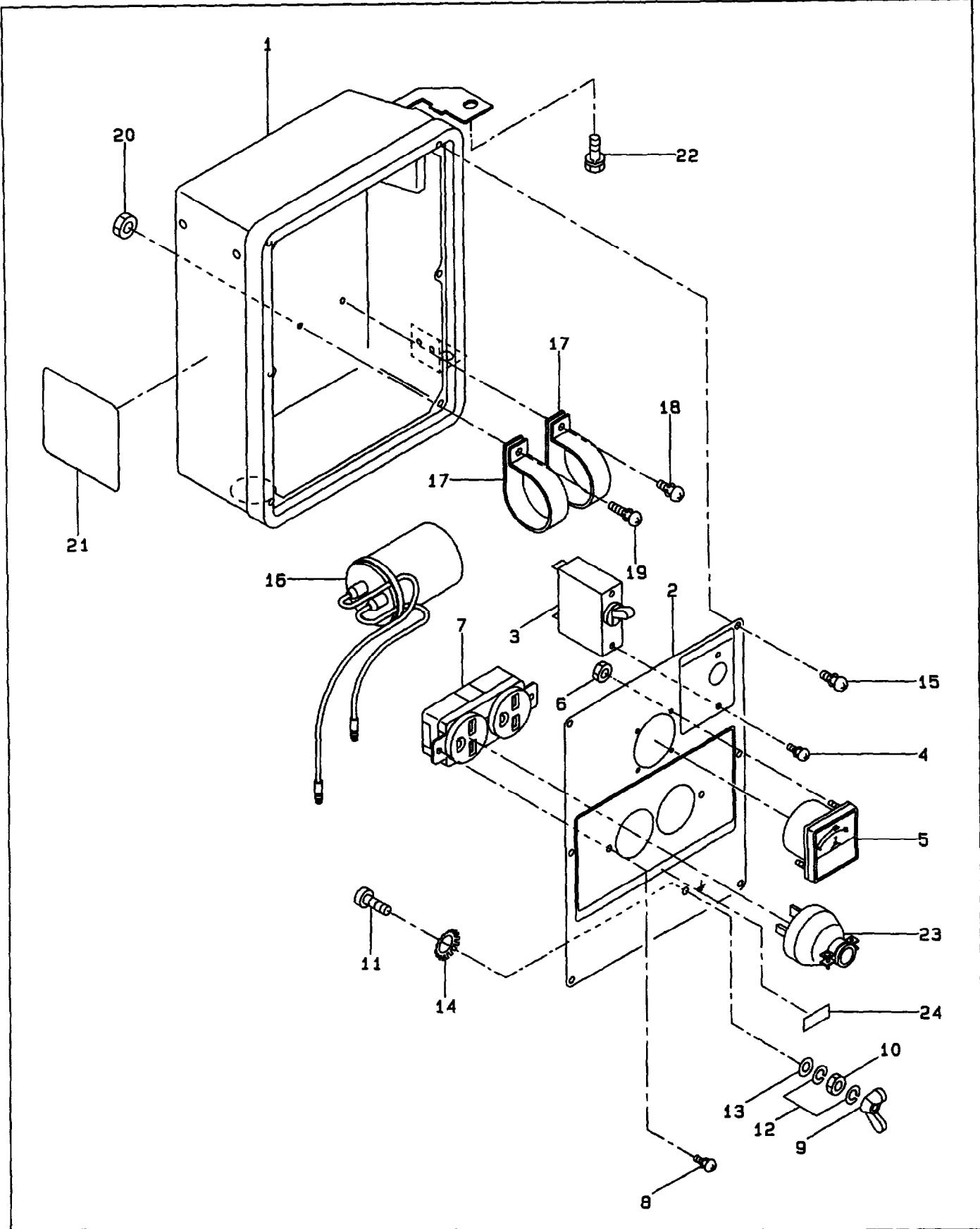


**FIG. 3-1 CONTROL BOX (220V, 240V) (FOR RGX1810)**

Interchangeability

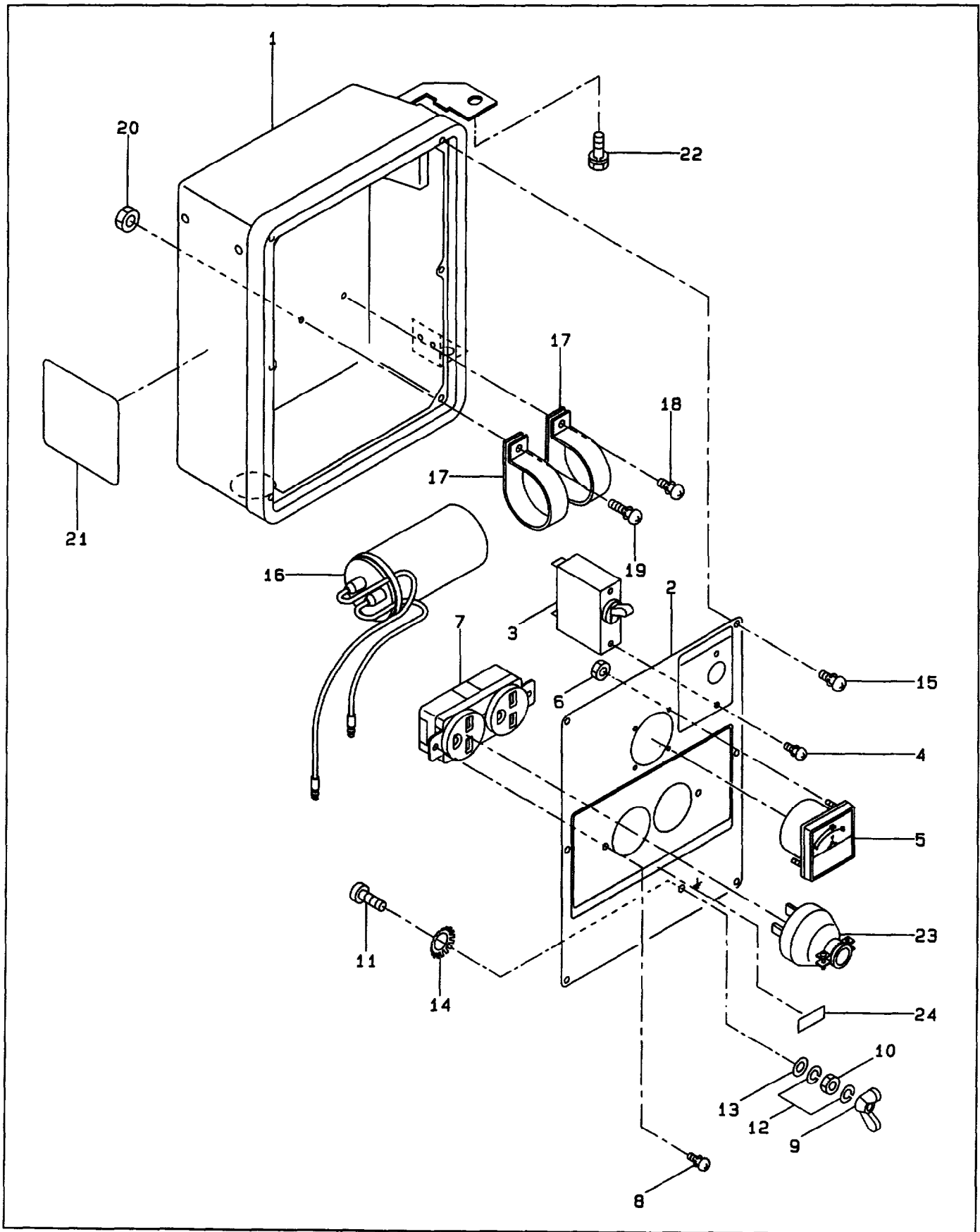
Ref. No.	Parts Number	Description	Q'ty	Execution
* 1	387 - 76501 - 00	CONTROL BOX ASS'Y Includes items 1 thru 21 For 50Hz - 220V For English	1	
* 1	387 - 76503 - 00	CONTROL BOX ASS'Y Includes items 1 thru 21 For 50Hz - 220V For Chinese	1	
* 1	387 - 76504 - 00	CONTROL BOX ASS'Y Includes items 1 thru 21 and 24 For 50Hz - 240V For English	1	
* 1	387 - 76506 - 00	CONTROL BOX ASS'Y Includes items 1 thru 21 For 60Hz - 220V For English	1	
1	388 - 76401 - 02	CONTROL BOX, compl.	1	
* 2	387 - 76001 - 00	CONTROL PANEL A ASS'Y Includes items 2 thru 14 For 50Hz - 220V For English	1	
* 2	387 - 76002 - 00	CONTROL PANEL A ASS'Y Includes items 2 thru 14 For 50Hz - 220V For Chinese	1	
* 2	387 - 76004 - 00	CONTROL PANEL A ASS'Y Includes items 2 thru 14 For 50Hz - 240V For English and 24	1	
* 2	387 - 76006 - 00	CONTROL PANEL A ASS'Y Includes items 2 thru 14 For 60Hz - 220V For English	1	
2	388 - 76101 - 01	CONTROL PANEL A, compl. For English	1	
2	388 - 76104 - 01	CONTROL PANEL A, compl. For Chinese	1	
3	30E - 43000 - 03	NO FUSE BREAKER (6.5A) For 50Hz - 220V	1	
3	30A - 43000 - 03	NO FUSE BREAKER (5.5A) For 50Hz - 240V	1	
3	387 - 76701 - 03	NO FUSE BREAKER (7A) For 60Hz - 220V	1	
4	004 - 35030 - 60	SCREW and WASHER ASS'Y (M3 x 6mm)	2	
5	391 - 47902 - 01	VOLTMETER (AC200V)	1	
6	388 - 49801 - 08	NUT (M3)	2	
7	31C - 75101 - 03	RECEPTACLE (15A - 250V)	1	
8	004 - 35041 - 00	SCREW and WASHER ASS'Y (M4 x 10mm)	2	
9	353 - 49901 - 08	WING NUT (M5)	1	
10	353 - 49902 - 08	NUT (M5)	1	
11	356 - 49907 - 08	SCREW (M5 x 15mm)	1	
12	332 - 00050 - 08	SPRING WASHER	2	
13	353 - 49903 - 08	WASHER	1	
14	372 - 59950 - 08	LOCK WASHER	1	
15	353 - 49904 - 08	SCREW (M4 x 10mm)	6	
16	387 - 76301 - 01	CONDENSER, compl. (17 μ F)	1	
17	380 - 47531 - 08	CONDENSER HOLDER	2	
18	004 - 35041 - 00	SCREW and WASHER ASS'Y (M4 x 10mm)	1	
19	389 - 59989 - 08	SCREW and WASHER ASS'Y (M4 x 15mm)	1	
20	389 - 59990 - 08	NUT (M4)	2	
21	387 - 87001 - 03	LABEL (SPEC) For 50Hz - 220V For English	1	
21	387 - 87003 - 03	LABEL (SPEC) For 50Hz - 220V For Chinese	1	
21	387 - 87004 - 03	LABEL (SPEC) For 50Hz - 240V For English	1	
21	387 - 87005 - 03	LABEL (SPEC) For 60Hz - 220V For English	1	
22	001 - 10061 - 20	BOLT and WASHER ASS'Y (M6 x 15mm)	1	

**FIG. 3-1 CONTROL BOX (220V, 240V) (FOR RGX1810)**





**FIG. 3-2 CONTROL BOX (220V, 240V) (FOR RGX2410)**



**FIG. 3-2 CONTROL BOX (220V, 240V) (FOR RGX2410)**

↙ Interchangeability

Ref. No.	Parts Number	Description	Q'ty	Execution
* 1	388 - 76501 - 00	CONTROL BOX ASS'Y Includes items 1 thru 21 For 50Hz - 220V For English	1	
* 1	388 - 76504 - 00	CONTROL BOX ASS'Y Includes items 1 thru 21 For 50Hz - 220V For Chinese	1	
* 1	388 - 76506 - 00	CONTROL BOX ASS'Y Includes items 1 thru 21 and 24 For 50Hz - 240V For English	1	
* 1	388 - 76507 - 00	CONTROL BOX ASS'Y Includes items 1 thru 21 For 60Hz - 220V For English	1	
1	388 - 76401 - 02	CONTROL BOX, compl.	1	
* 2	388 - 76001 - 00	CONTROL PANEL A ASS'Y Includes items 2 thru 14 For 50Hz - 220V For English	1	
* 2	388 - 76004 - 00	CONTROL PANEL A ASS'Y Includes items 2 thru 14 For 50Hz - 220V For Chinese	1	
* 2	388 - 76006 - 00	CONTROL PANEL A ASS'Y Includes items 2 thru 14 For 50Hz - 240V For English and 24	1	
* 2	388 - 76007 - 00	CONTROL PANEL A ASS'Y Includes items 2 thru 14 For 60Hz - 220V For English	1	
2	388 - 76101 - 01	CONTROL PANEL A, compl. For English	1	
2	388 - 76104 - 01	CONTROL PANEL A, compl. For Chinese	1	
3	30B - 43001 - 03	NO FUSE BREAKER (8A) For 50Hz - 220V	1	
3	387 - 76701 - 03	NO FUSE BREAKER (7A) For 50Hz - 240V	1	
3	30B - 73001 - 03	NO FUSE BREAKER (9A) For 60Hz - 220V	1	
4	004 - 35030 - 60	SCREW and WASHER ASS'Y (M3 × 6mm)	2	
5	391 - 47902 - 01	VOLTMETER (AC200V)	1	
6	388 - 49801 - 08	NUT (M3)	2	
7	31C - 75101 - 03	RECEPTACLE (250V - 15A)	1	
8	004 - 35041 - 00	SCREW and WASHER ASS'Y (M4 × 10mm)	2	
9	353 - 49901 - 08	WING NUT (M5)	1	
10	353 - 49902 - 08	NUT (M5)	1	
11	356 - 49907 - 08	SCREW (M5 × 15mm)	1	
12	332 - 00050 - 08	SPRING WASHER	2	
13	353 - 49903 - 08	WASHER	1	
14	372 - 59950 - 08	LOCK WASHER	1	
15	353 - 49904 - 08	SCREW (M4 × 10mm)	6	
16	388 - 76301 - 01	CONDENSER, compl. (20 μ F)	1	
17	380 - 47531 - 08	CONDENSER HOLDER	2	
18	004 - 35041 - 00	SCREW and WASHER ASS'Y (M4 × 10mm)	1	
19	389 - 59989 - 08	SCREW and WASHER ASS'Y (M4 × 15mm)	1	
20	389 - 59990 - 08	NUT (M4)	2	
21	388 - 87001 - 03	LABEL (SPEC) For 50Hz - 220V For English	1	
21	388 - 87005 - 03	LABEL (SPEC) For 50Hz - 220V For Chinese	1	
21	388 - 87007 - 03	LABEL (SPEC) For 50Hz - 240V For English	1	
21	388 - 87008 - 03	LABEL (SPEC) For 60Hz - 220V For English	1	
22	001 - 10061 - 20	BOLT and WASHER ASS'Y (M6 × 15mm)	1	

**FIG. 3-2 CONTROL BOX (220V, 240V) (FOR RGX2410)**

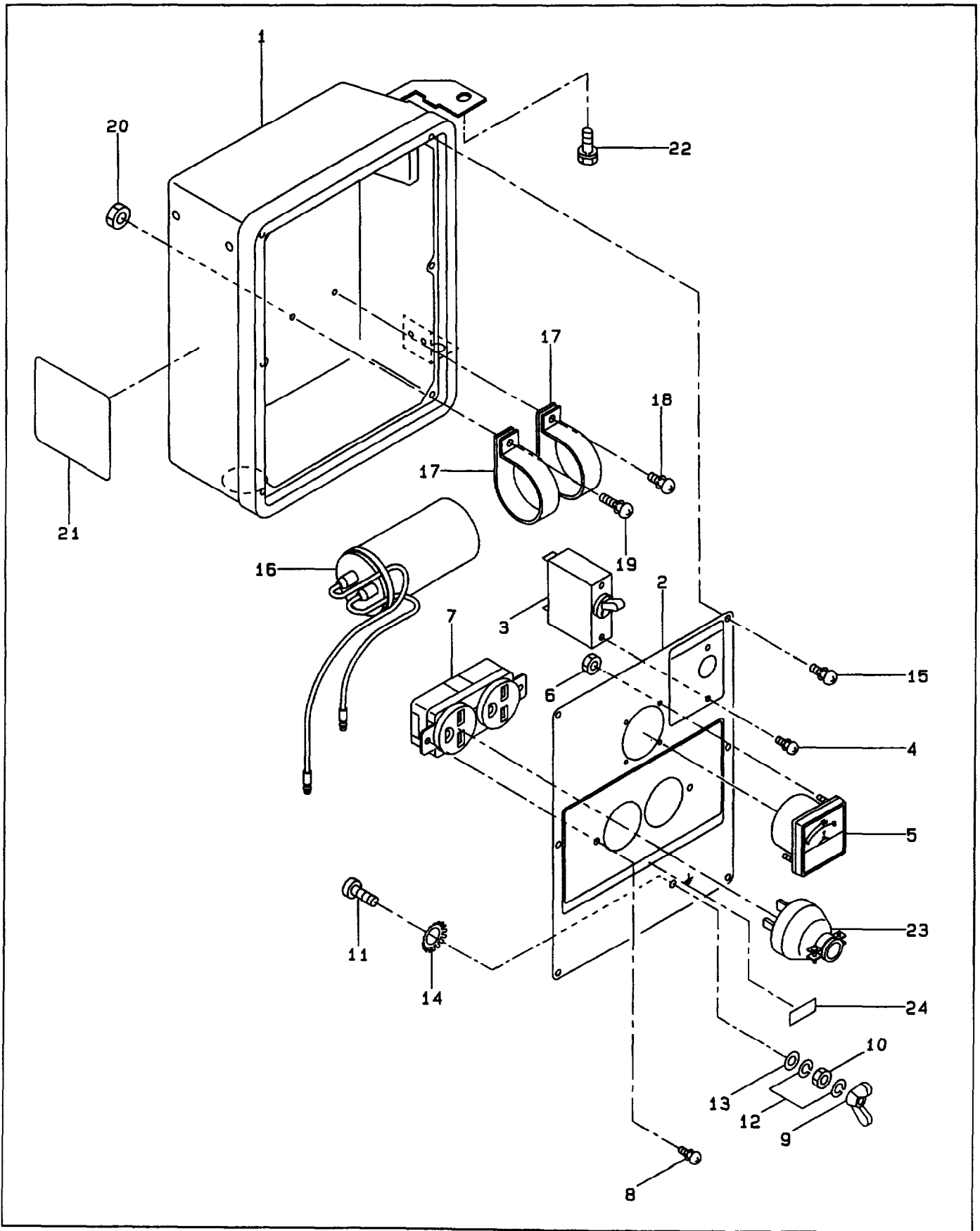
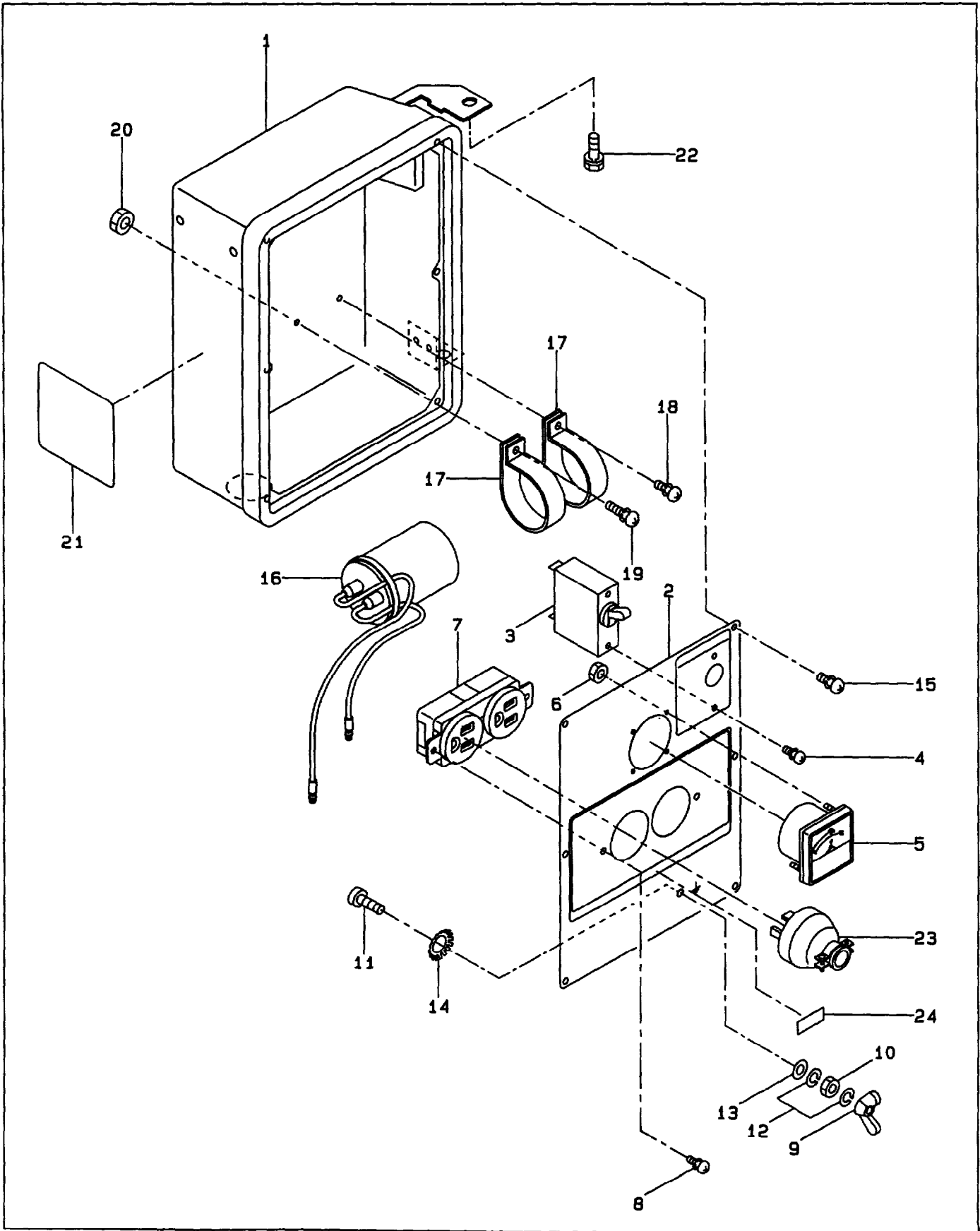




FIG. 3-3 CONTROL BOX (60Hz-110V)







**FIG. 3-4 CONTROL BOX (60Hz-110V / 220V)**

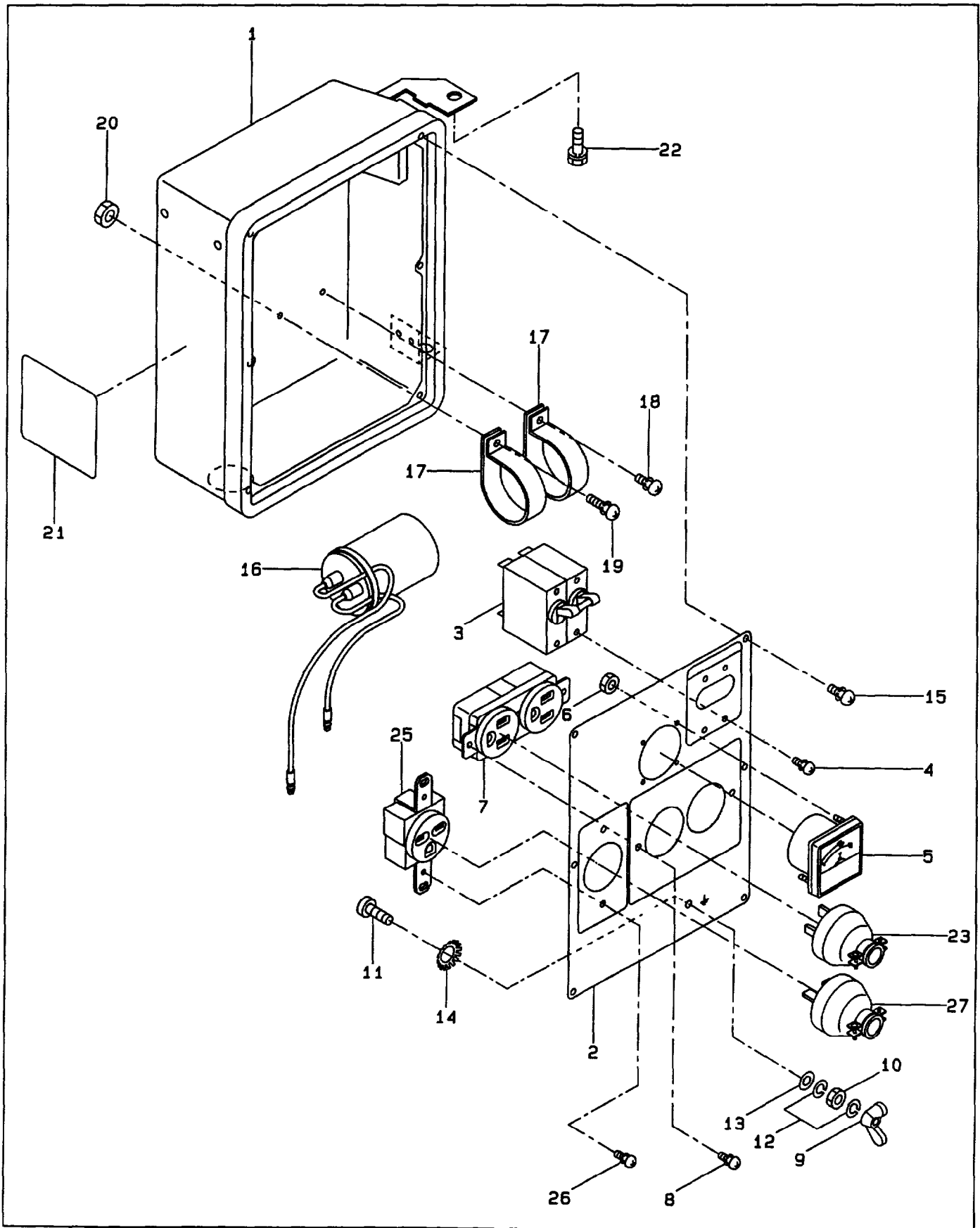
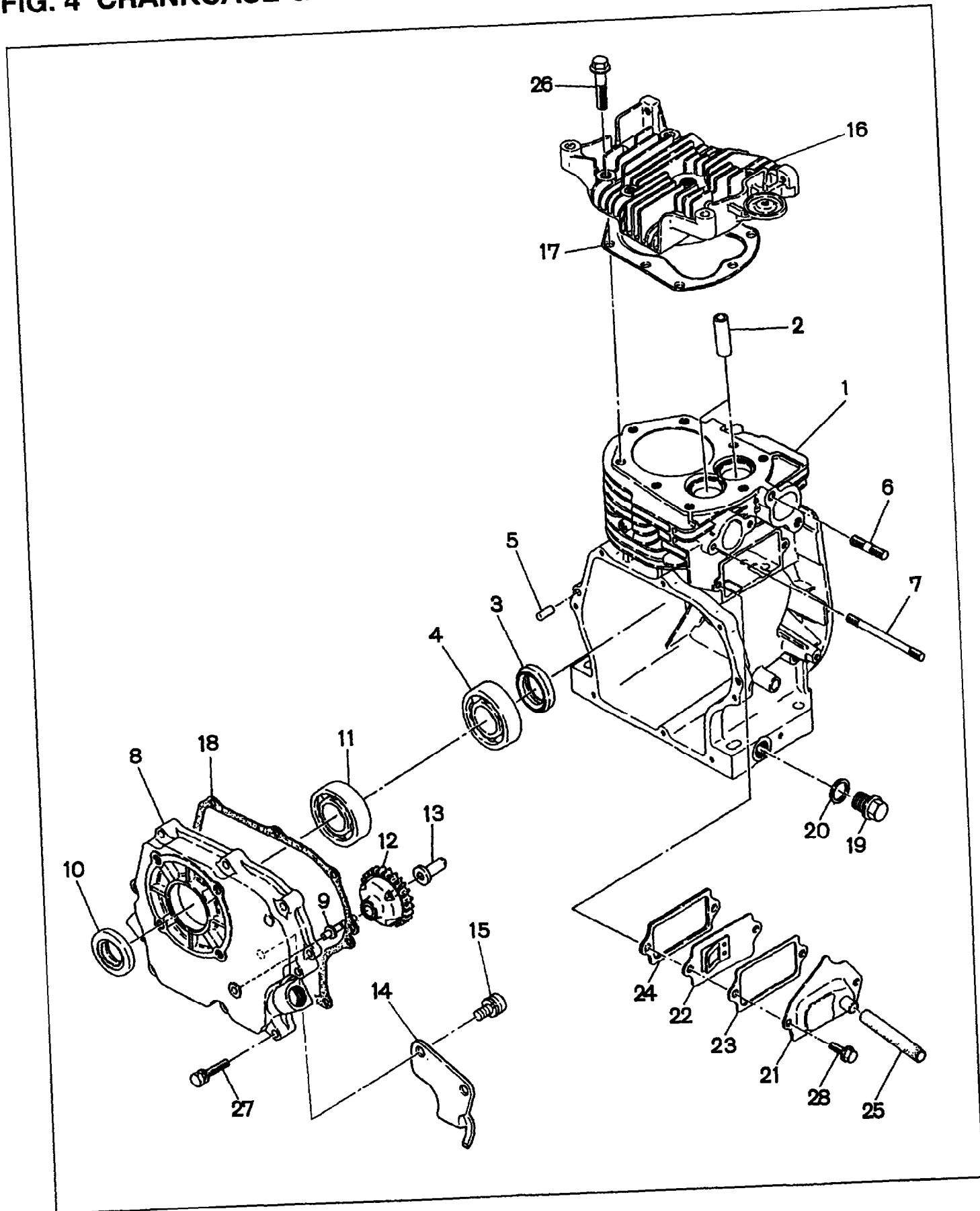


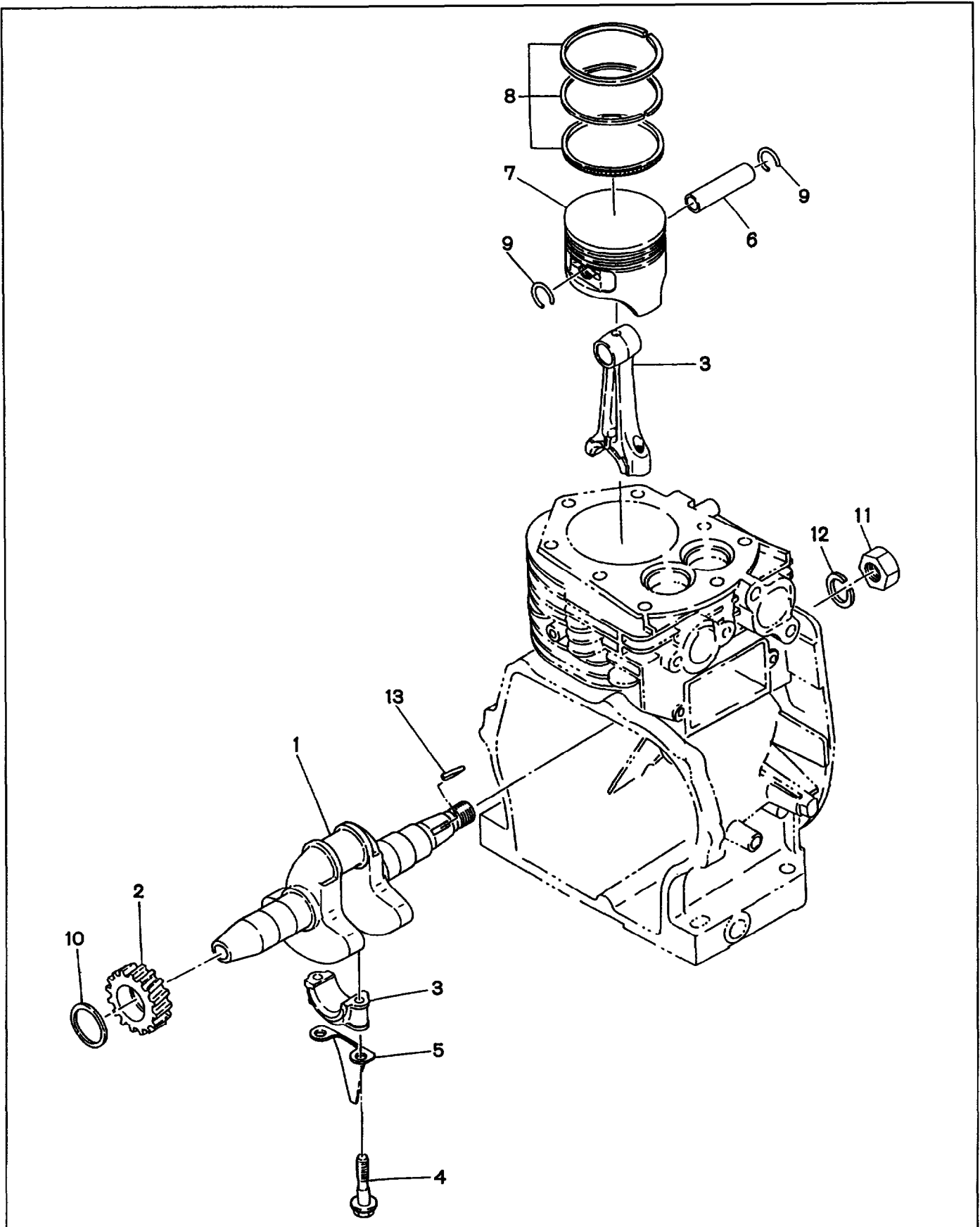


FIG. 4 CRANKCASE GROUP





**FIG. 5 CRANKSHAFT and PISTON GROUP**





**FIG. 6 INTAKE and EXHAUST GROUP**

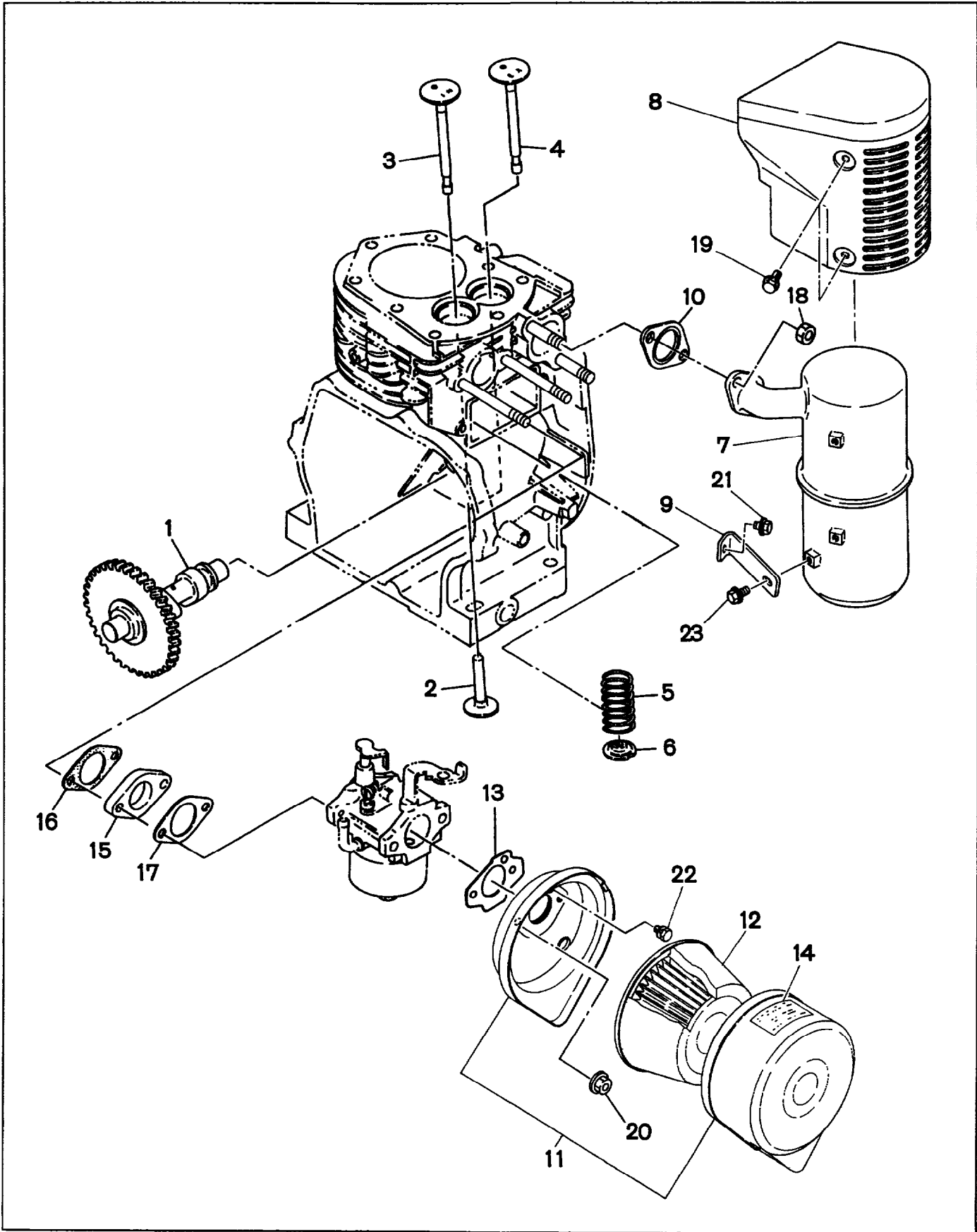
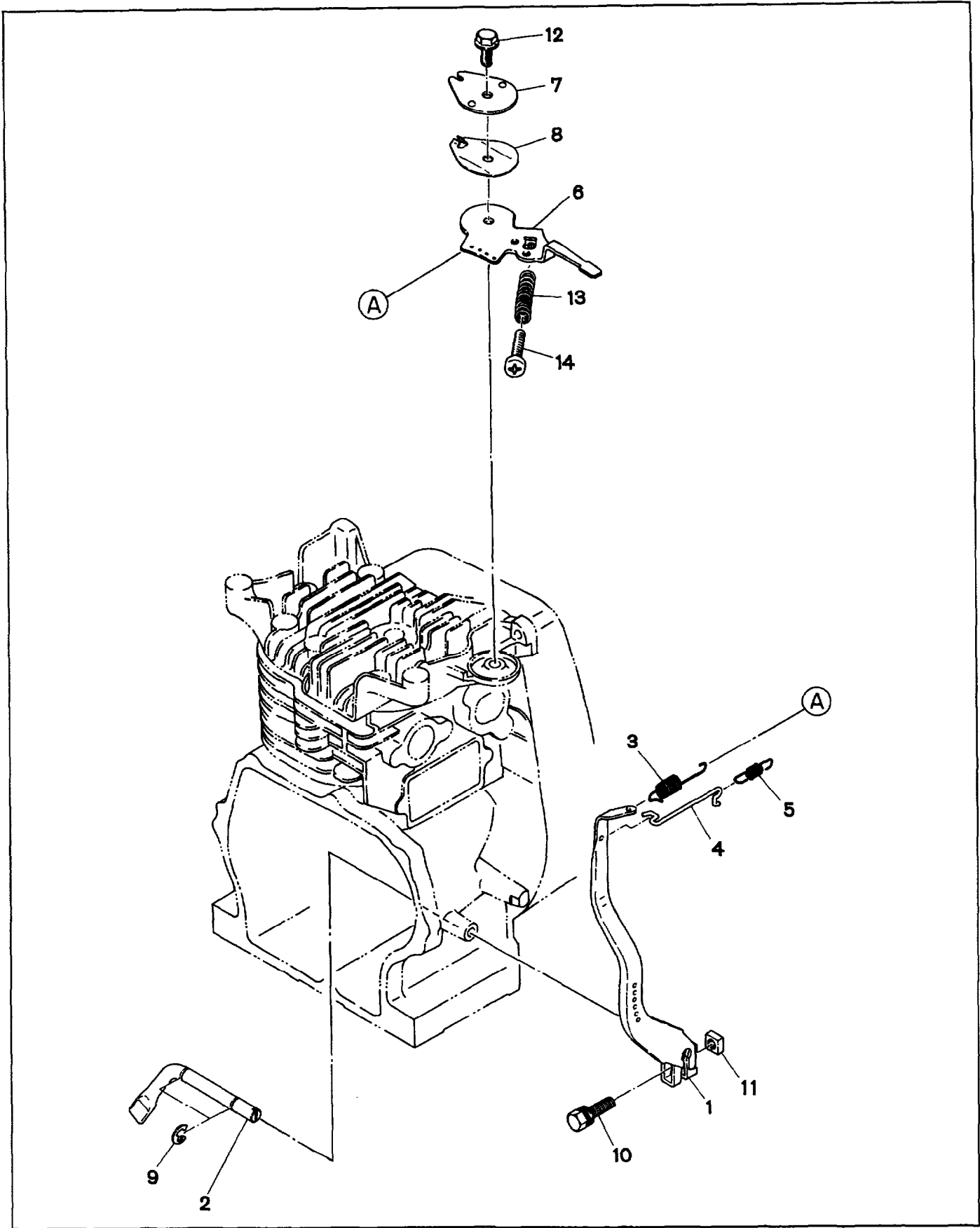






FIG. 7 GOVERNOR, OPERATE GROUP





**FIG. 8 COOLING and STARTING GROUP**

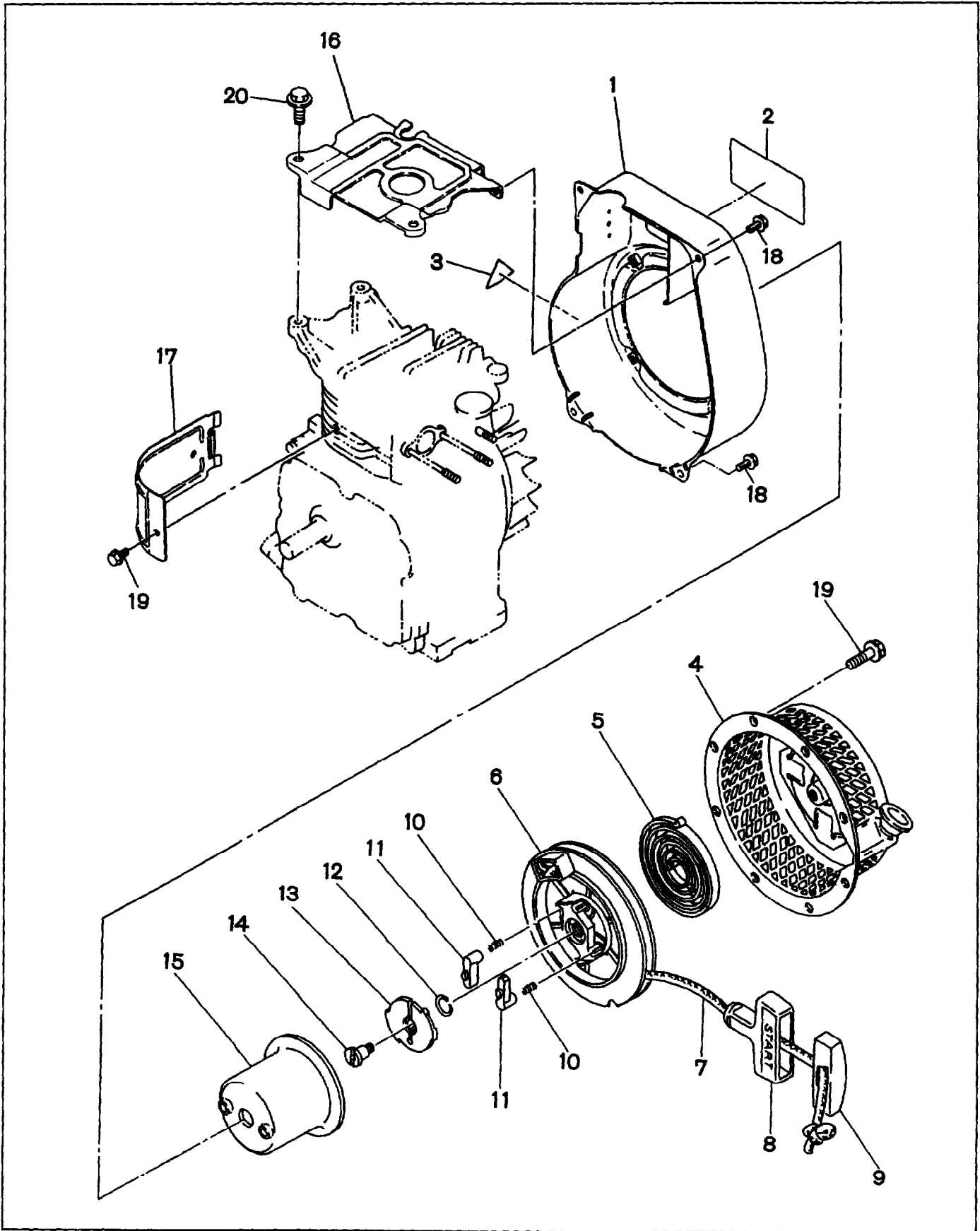
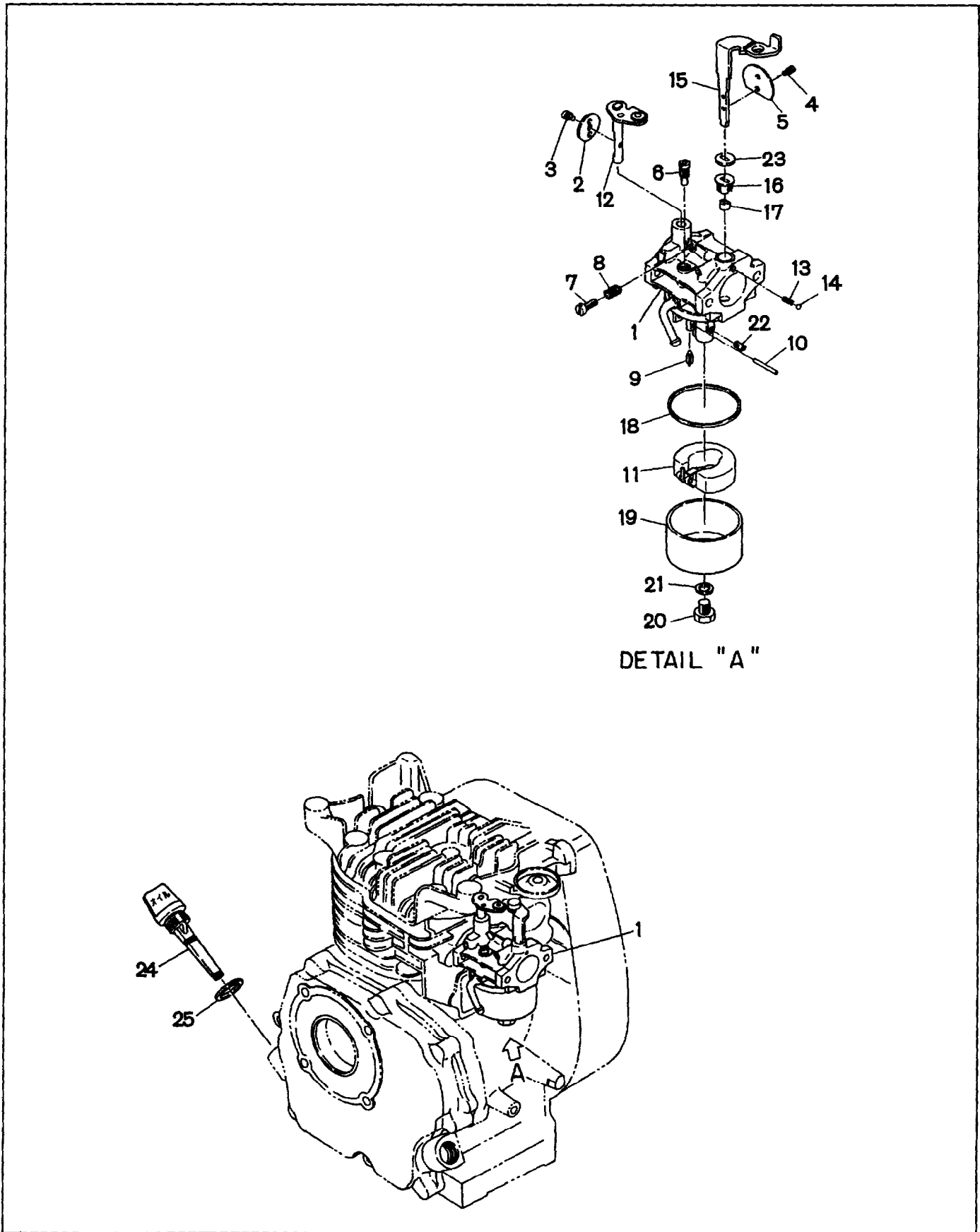


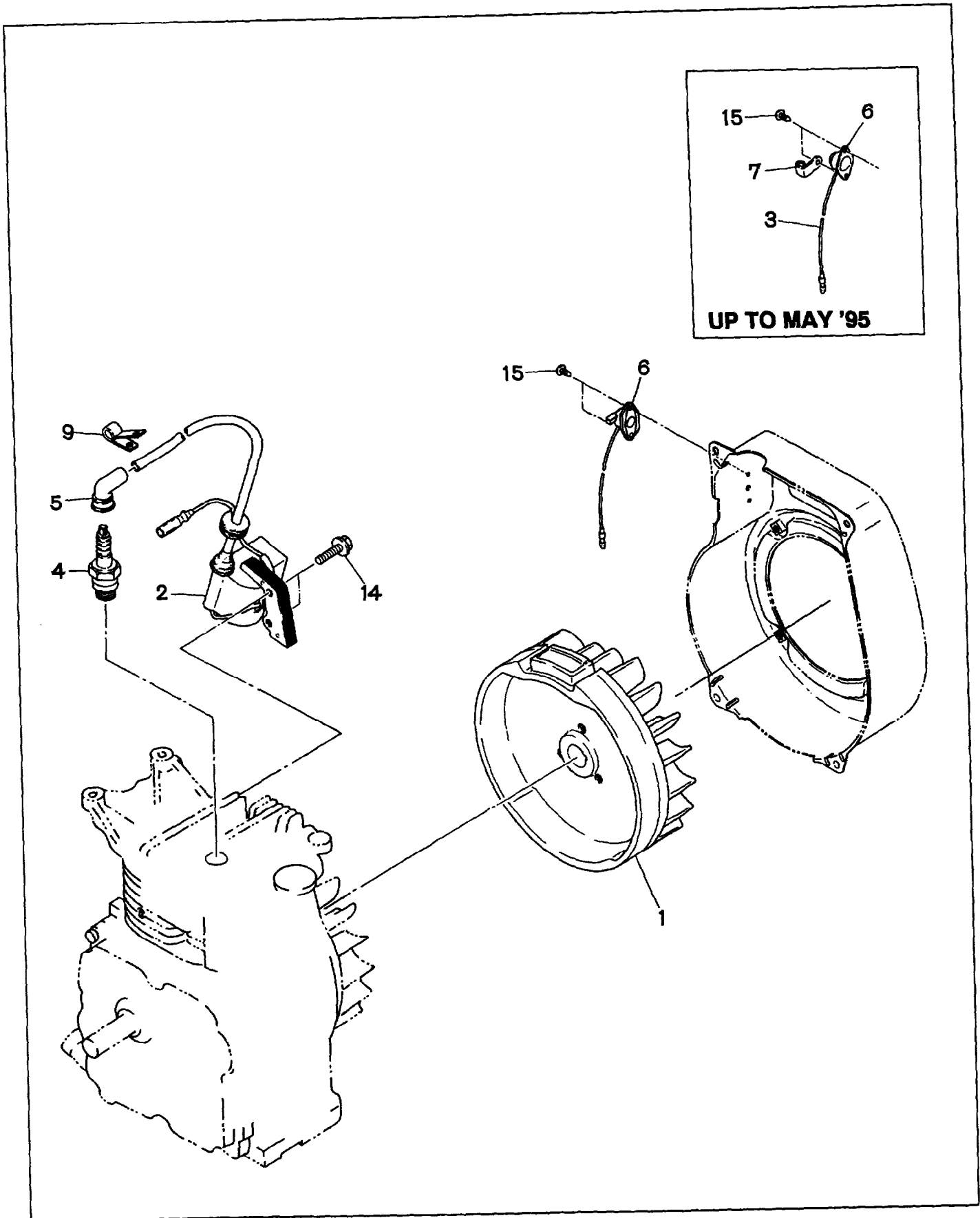


FIG. 9 FUEL, LUBRICANT GROUP





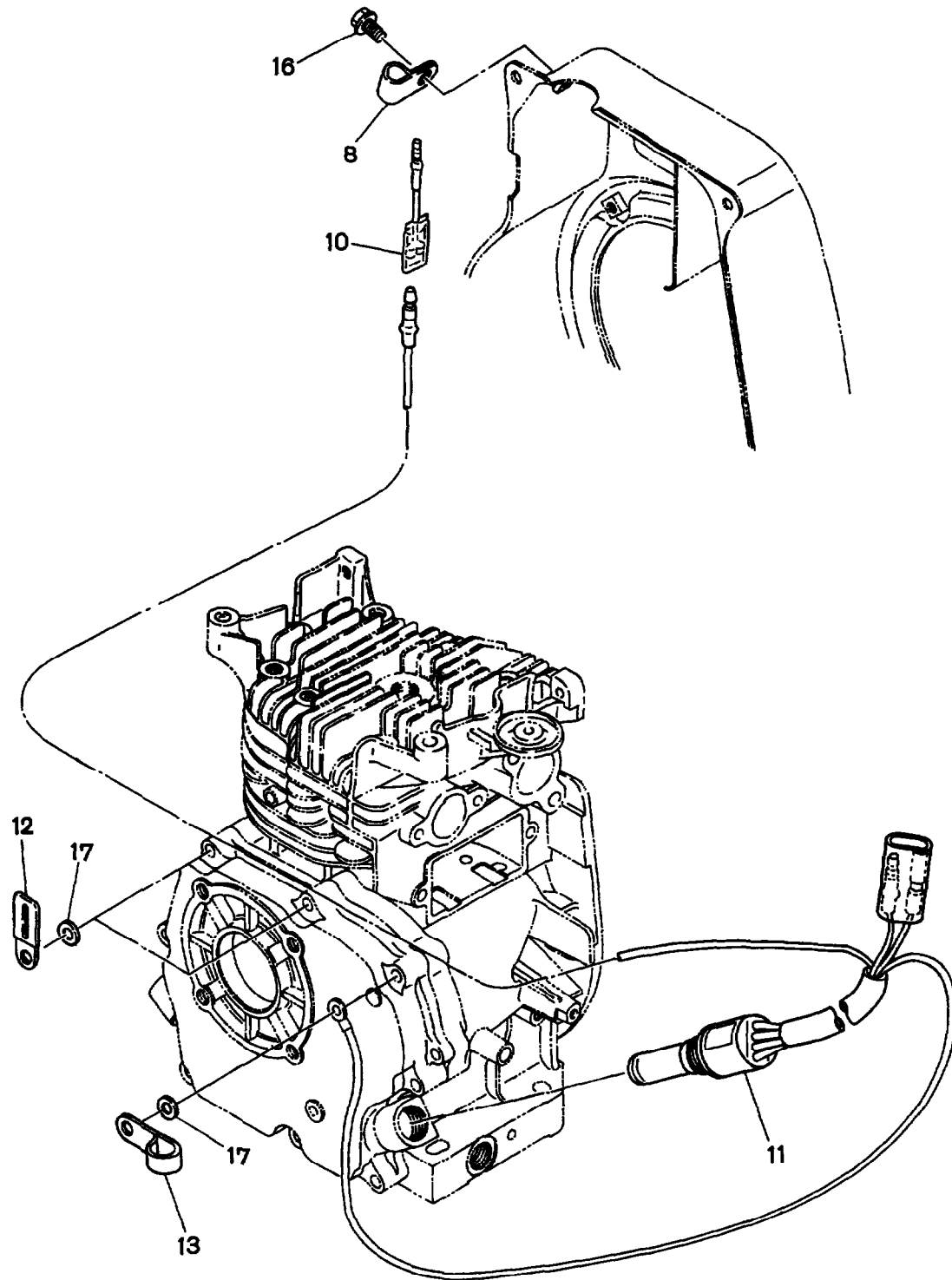
**FIG. 10 ELECTRIC DEVICE GROUP**





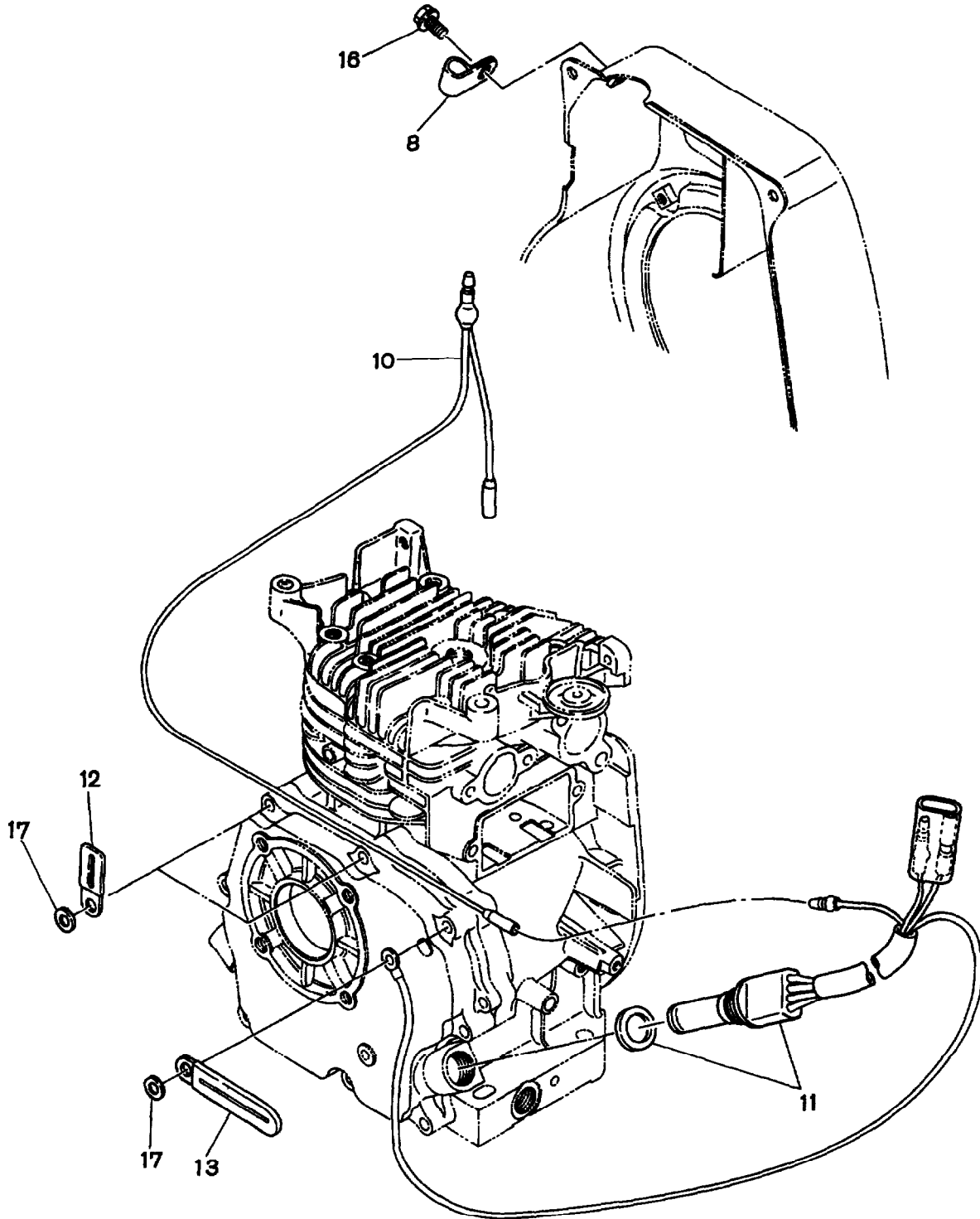
**FIG. 10 ELECTRIC DEVICE GROUP**

**OIL SENSOR PARTS (UP TO AUG. '95)**



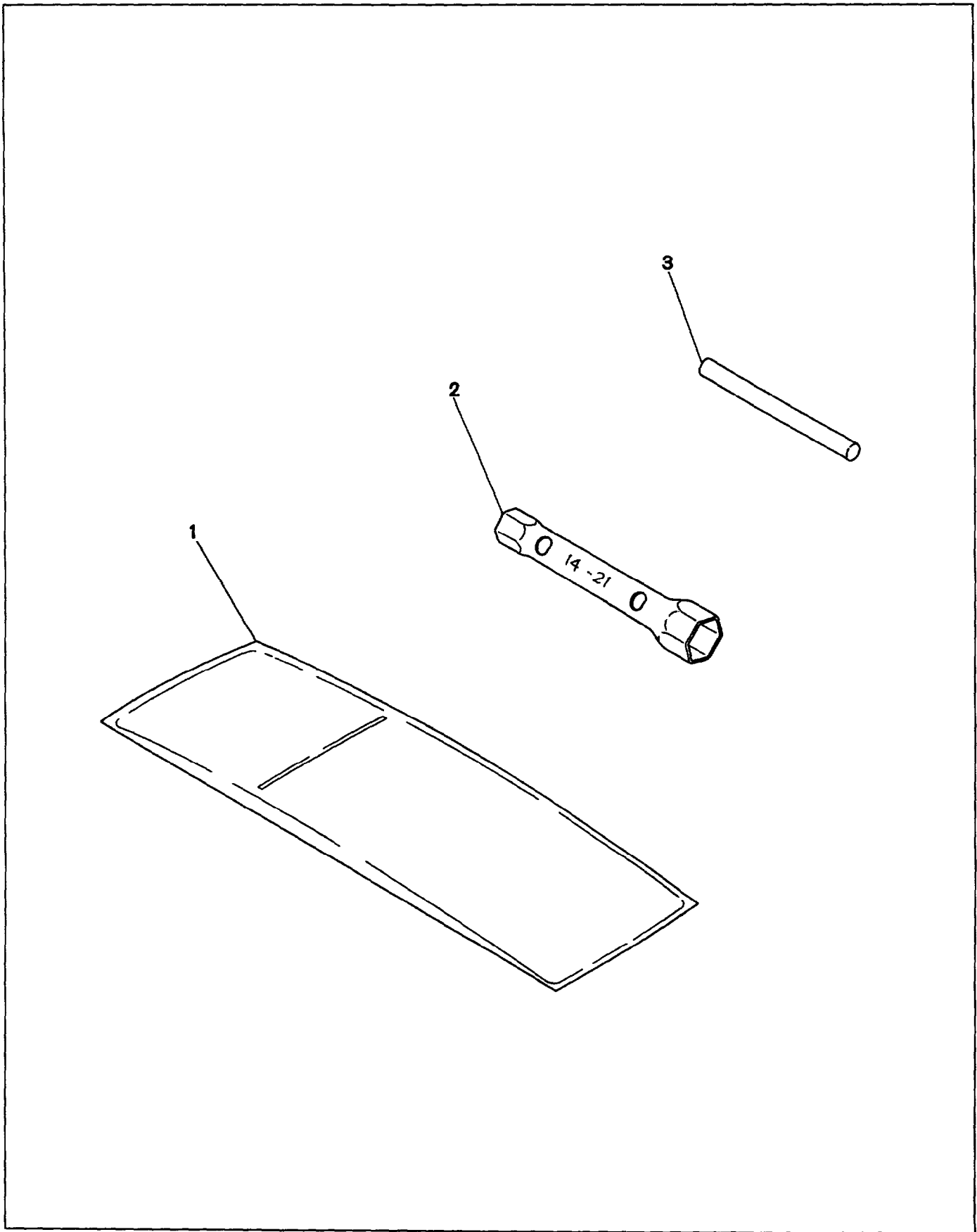
**FIG. 10 ELECTRIC DEVICE GROUP**

**OIL SENSOR PARTS (AFTER SEP. '95)**



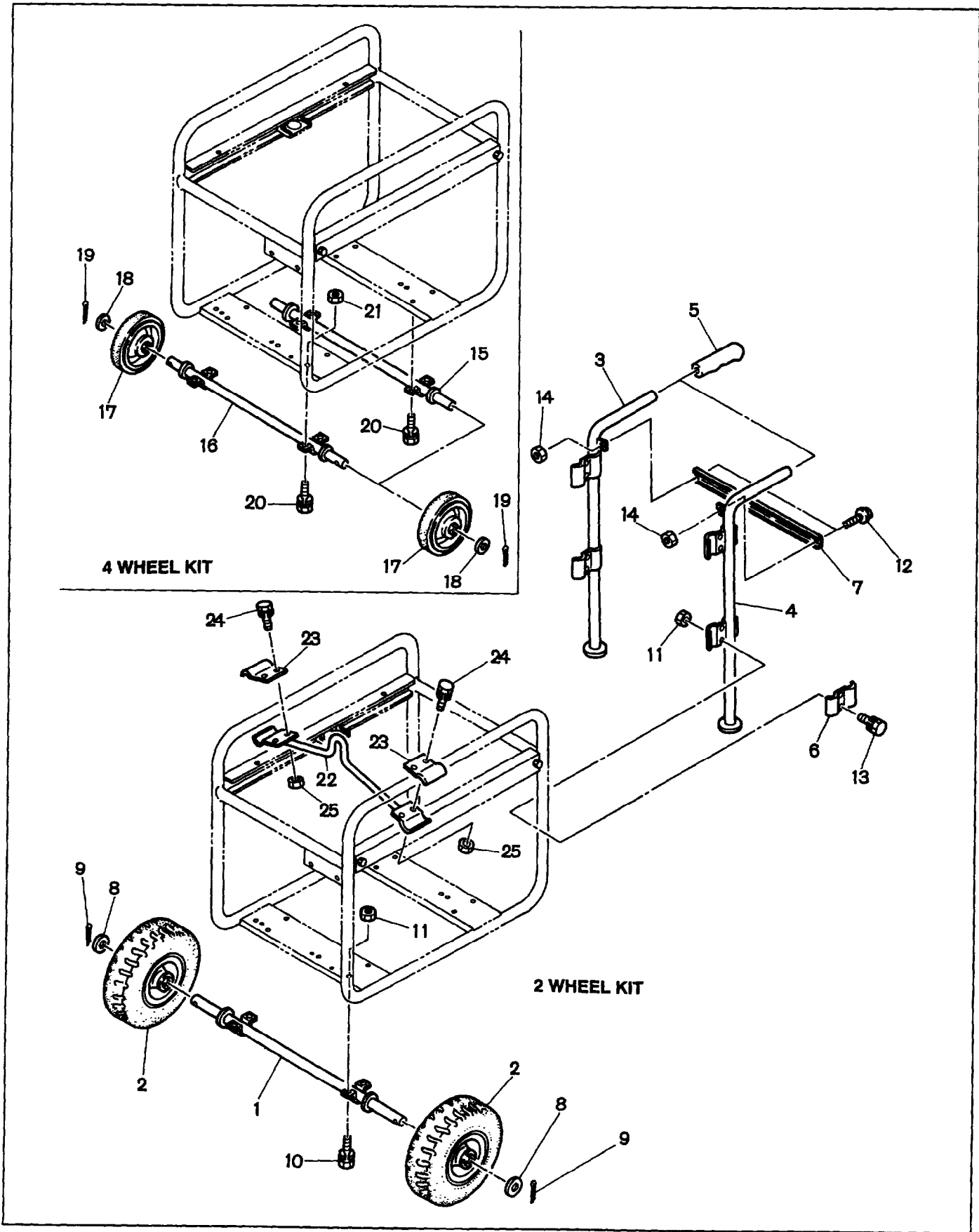


**FIG. 11 ACCESSORIES GROUP**





**FIG. 12 WHEEL, HANDLE and HANGER**







**FUJI HEAVY INDUSTRIES LTD.**

**INDUSTRIAL PRODUCTS DIV.**

Subaru Bldg.

1-7-2, Nishi-Shinjuku, Shinjuku-ku, Tokyo 160, Japan

PHONE ; (Tokyo 03) 3347-2420

FACSIMILE ; (Tokyo 03) 3347-2418