



PARTS CATALOG

Robin

Generator

Model

RGX505,505 D

 FUJI HEAVY INDUSTRIES LTD.

ISSUE EMD-GP0343

HOW TO USE THIS PARTS CATALOG

1. Reference numbers with an asterisk

Reference numbers marked with an asterisk indicate that the particular part is available only as a complete set or assembly.

Example:

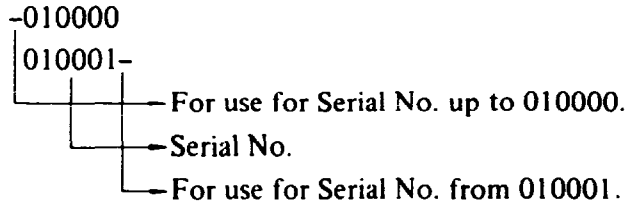
If the reference number is marked with an asterisk and the description of the part states that certain items are included, this means that those included items cannot be ordered separately and must be purchased as a complete assembly.

2. Description of interchangeability and execution columns

Example: Interchangeability column

- o Items interchangeable between the new and old parts
- x Items not interchangeable between the new and old parts
- y Items conditionally interchangeable between the new and old parts which are subject to the description in the execution column.

Example: Execution column



Example:

Part Number	Interchangeable	Execution	Explanation
Part B Part A	o	020000-	This indicates that Part A changed to Part B for generators with serial numbers from 20000, and that they are interchangeable.
Part C Part B Part A	o x	020000- 015000-	This indicates that Part A changed to Part B for generators with serial numbers from 15000, and that they are not interchangeable. Also, Part B changed to Part C for generators with serial numbers from 20000 and that they are interchangeable.
Part A		020000-	This indicates that Part A is a new part for generators with serial numbers from 20000.
Part B		-030000	This indicates that Part B is no longer used for generators with serial numbers from 30001.
Part B Part A	y	020000-	This indicates that Part A changed to Part B for generators with serial numbers from 20000, and that they are conditionally interchangeable (see NOTE described at the end of the section).

3. **The contents of this parts catalog are subject to revise without notice.**

TO INSURE PROMPT AND ACCURATE SERVICE, ALSO THE FOLLOWING
INFORMATION MUST BE GIVEN.

1. State exactly the quantity of each part and its part number.
2. Clearly state whether parts are to be shipped by express, freight or parcel post.
3. State the exact mailing address.

CONTENTS

GENERATOR PARTS

Fig. 1	GENERATOR	1
Fig. 2	CONTROL BOX (RGX 505, 220V-230V-240V)	3
Fig. 3	CONTROL BOX (RGX 505, 110V-120V)	6
Fig. 4	CONTROL BOX (RGX 505D, 110V/220V-120V/240V)	9
Fig. 5	PIPE FRAME and FUEL TANK	12

ENGINE PARTS

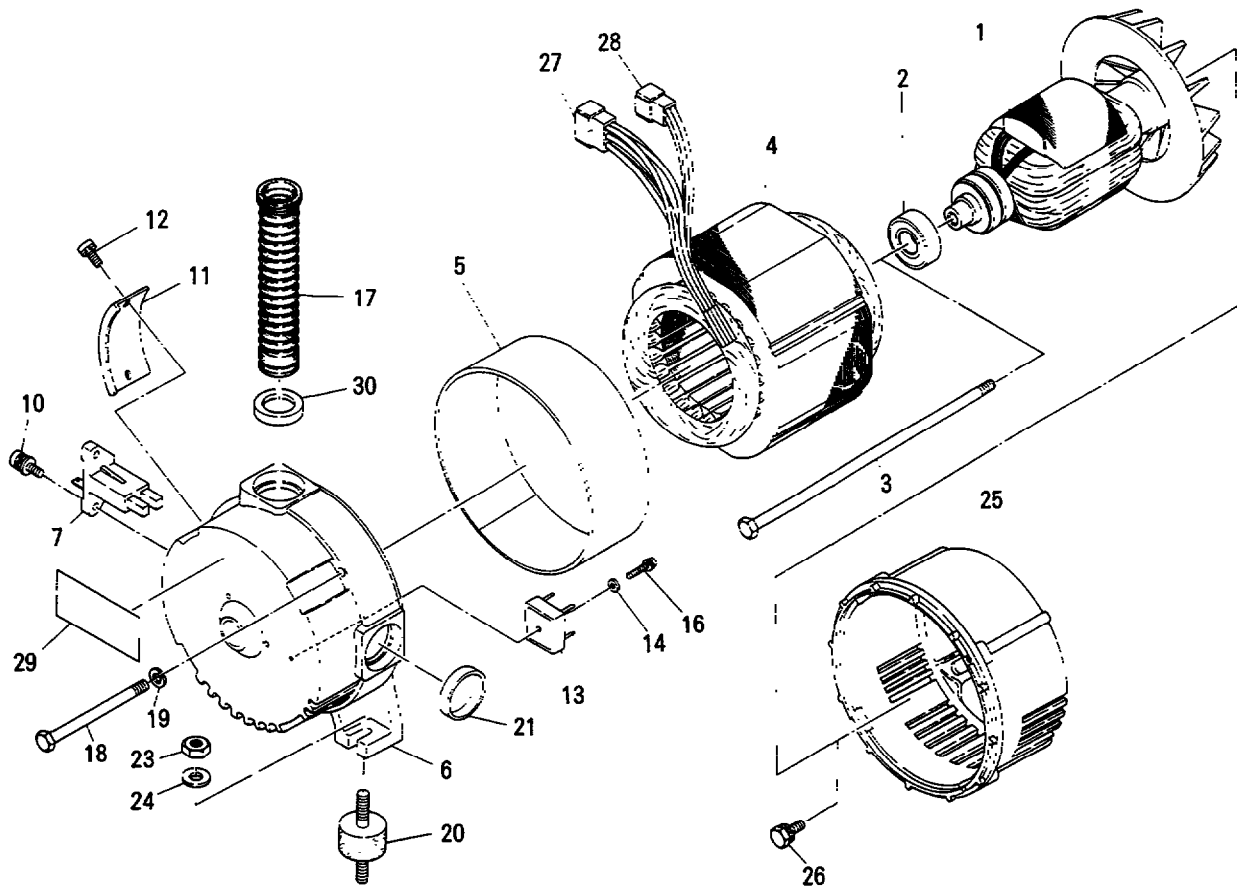
Fig. 6	CRANKCASE and CYLINDER HEAD	13
Fig. 7	CRANKSHAFT, CAMSHAFT and PISTON	15
Fig. 8	VALVE and TAPPET	16
Fig. 9	GOVERNOR and SPEED CONTROL	17
Fig. 10	BLOWER HOUSING and MUFFLER	18
Fig. 11	AIR CLEANER and CARBURETOR	19
Fig. 12	MAGNETO	20
Fig. 13	RECOIL STARTER	21
Fig. 14	ACCESSORIES	22

OPTIONAL PARTS

Fig.OP 1	CONTROL BOX (RGX 505D) (NEMA)	23
Fig.OP 2	OIL SENSOR (UP TO '84)	25
Fig.OP 3	OIL SENSOR (AFTER '85)	26
Fig.OP 4	ELECTRIC STARTER and CASTER (GENERATOR PARTS)	27
Fig.OP 5	ELECTRIC STARTER (ENGINE PARTS)	28
Fig.OP 6	STARTING MOTOR	29
Fig.OP 7	ECONO-THROTTLE	30

Fig. 1 GENERATOR

GENERATOR PARTS

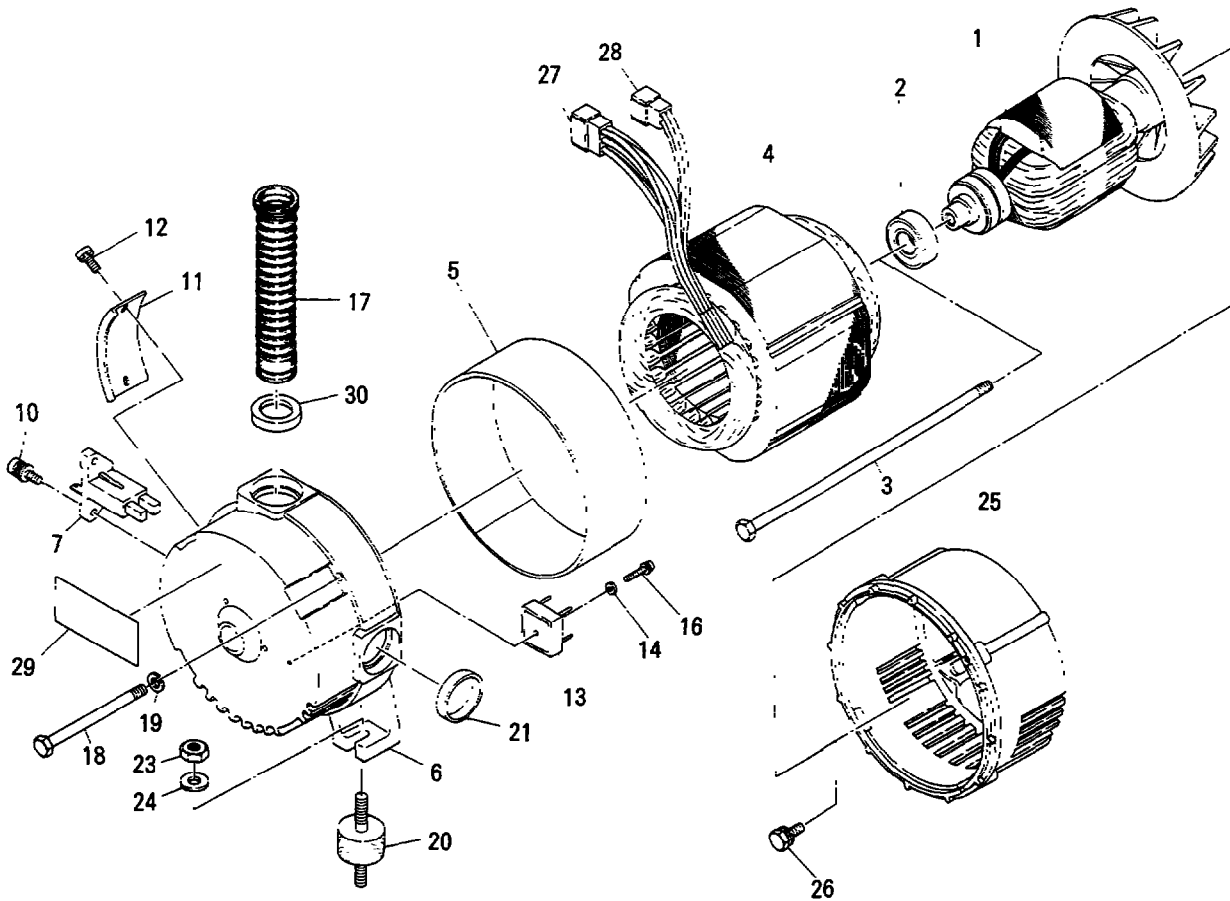


Interchangeability					Interchangeability				
Ref No.	Description	Part Number	Q'ty	Execution	Ref No.	Description	Part Number	Q'ty	Execution
* 1	ROTOR, complete Includes item 2	355 50509 08	1		* 4	STATOR, complete Includes items 27 and 28 For 60Hz-220V For RGX 505	355 51616 08	1	GEN.No. 101168-
2	BALL BEARING (6205-2RS)	354 58204 08	1						
3	THROUGH BOLT	355 58009 08	1						
* 4	STATOR, complete Includes items 27 and 28 For 50Hz-220V, 230V, 240V For RGX 505	355 51566 18	1	GEN.No. 101168-	* 4	STATOR, complete Includes items 27 and 28 For 50Hz-110V/220V, 120V/240V For RGX 505D	355 51568 18	1	GEN.No. 101770-
* 4	STATOR, complete Includes items 27 and 28 For 50Hz-220V, 230V, 240V For RGX 505	355 51566 08	1		* 4	STATOR, complete Includes items 27 and 28 For 50Hz-110V/220V, 120V/240V For RGX 505D	355 51568 08	1	
* 4	STATOR, complete Includes items 27 and 28 For 50Hz-110V For RGX 505	355 51582 18	1	GEN.No. 101168-	* 4	STATOR, complete Includes items 27 and 28 For 60Hz-110V/220V, 120V/240V For RGX 505D	355 51583 18	1	GEN.No. 101770-
* 4	STATOR, complete Includes items 27 and 28 For 50Hz-110V For RGX 505	355 51582 08	1		* 4	STATOR, complete Includes items 27 and 28 For 60Hz-110V/220V, 120V/240V For RGX 505D	355 51583 08	1	
* 4	STATOR, complete Includes items 27 and 28 For 60Hz-110V, 120V For RGX 505	355 51567 18	1	GEN.No. 101168-	5	STATOR COVER	355 54512 08	1	
* 4	STATOR, complete Includes items 27 and 28 For 60Hz-110V, 120V For RGX 505	355 51567 08	1		6	REAR COVER	354 54011 08	1	
					7	BRUSH HOLDER	354 55003 08	1	
					10	SCREW and WASHER ASSEMBLY	359 59928 08	2	
					11	BRUSH COVER	354 54513 08	1	

When ordering parts: Always give the Model, Specification and Serial Number of Generator.

Fig.1 GENERATOR

GENERATOR PARTS

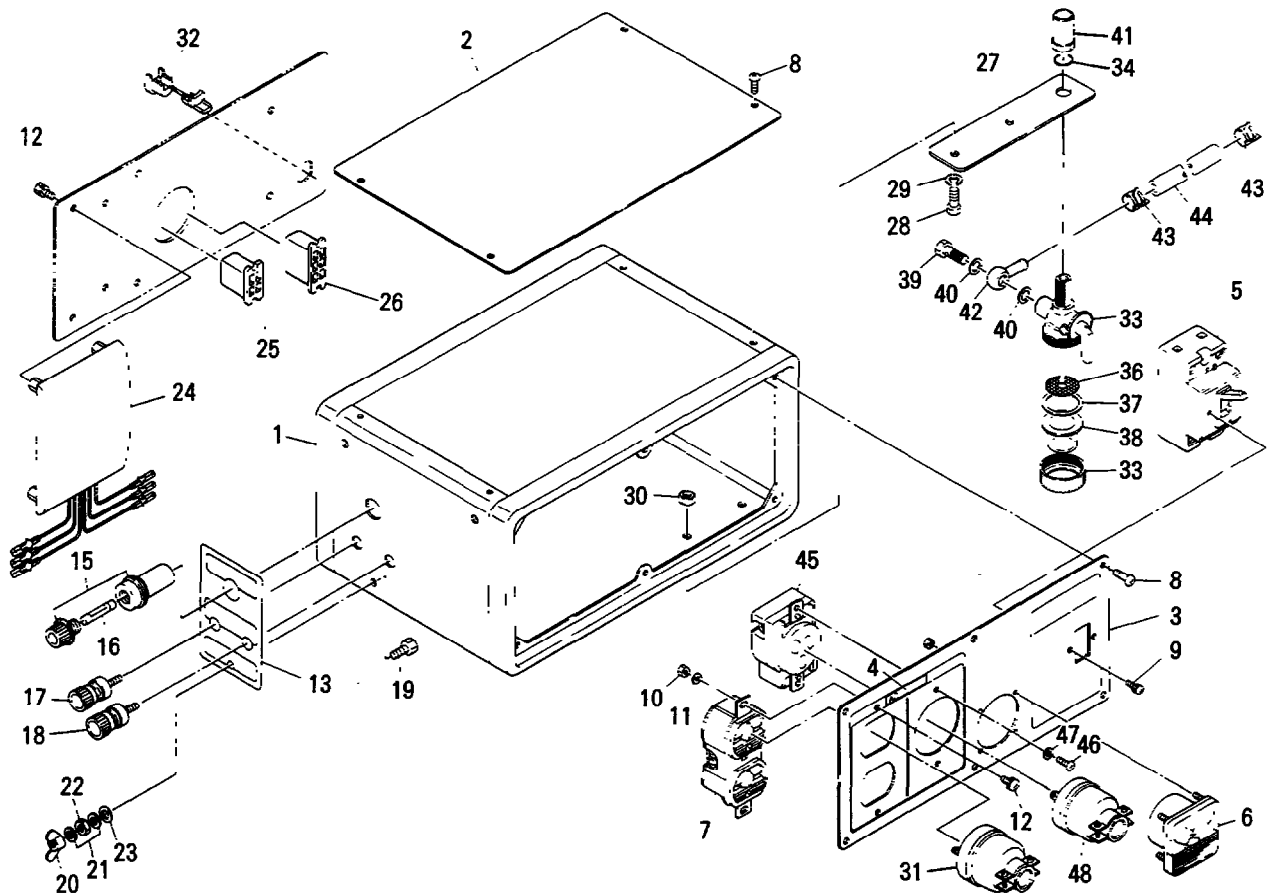


Interchangeability				Interchangeability					
Ref No.	Description	Part Number	Q'ty	Execution	Ref No.	Description	Part Number	Q'ty	Execution
12	SCREW and WASHER ASSEMBLY	353 59943 08	2		29	LABEL, generator name For RGX 505 For CHINA	355 59079 08	1	
13	DIODE STACK ASSEMBLY	353 45804 08	1		30	CAP	354 54525 08	1	
14	WASHER	003 10040 00	1						
16	SCREW	004 31041 80	1						
17	BUSHING	353 57506 08	1	RGX 505 GEN.No. 101168- RGX 505D GEN.No. 101770-					
17	GROMMET	354 57503 08	1						
18	COVER BOLT	355 58303 08	4						
19	SPRING WASHER	003 20080 00	4						
20	RUBBER VIBRATION ISOLATOR For 50Hz	354 57032 08	6						
20	RUBBER VIBRATION ISOLATOR For 60Hz	320 75115 08	6						
21	CAP	354 54514 08	1						
23	NUT	359 59932 08	6						
24	WASHER	003 10080 00	3						
25	FRONT COVER	354 54116 08	1						
26	BOLT	359 59935 08	4						
27	CONNECTOR (6P)	353 54300 08	1						
28	CONNECTOR (4P)	353 54301 08	1						
29	LABEL, generator name For RGX 505	355 59012 08	1						
29	LABEL, generator name For RGX 505D	355 59013 08	1						

When ordering parts: Always give the Model, Specification and Serial Number of Generator.

Fig. 2 CONTROL BOX (RGX 505, 220V·230V·240V)

GENERATOR PARTS

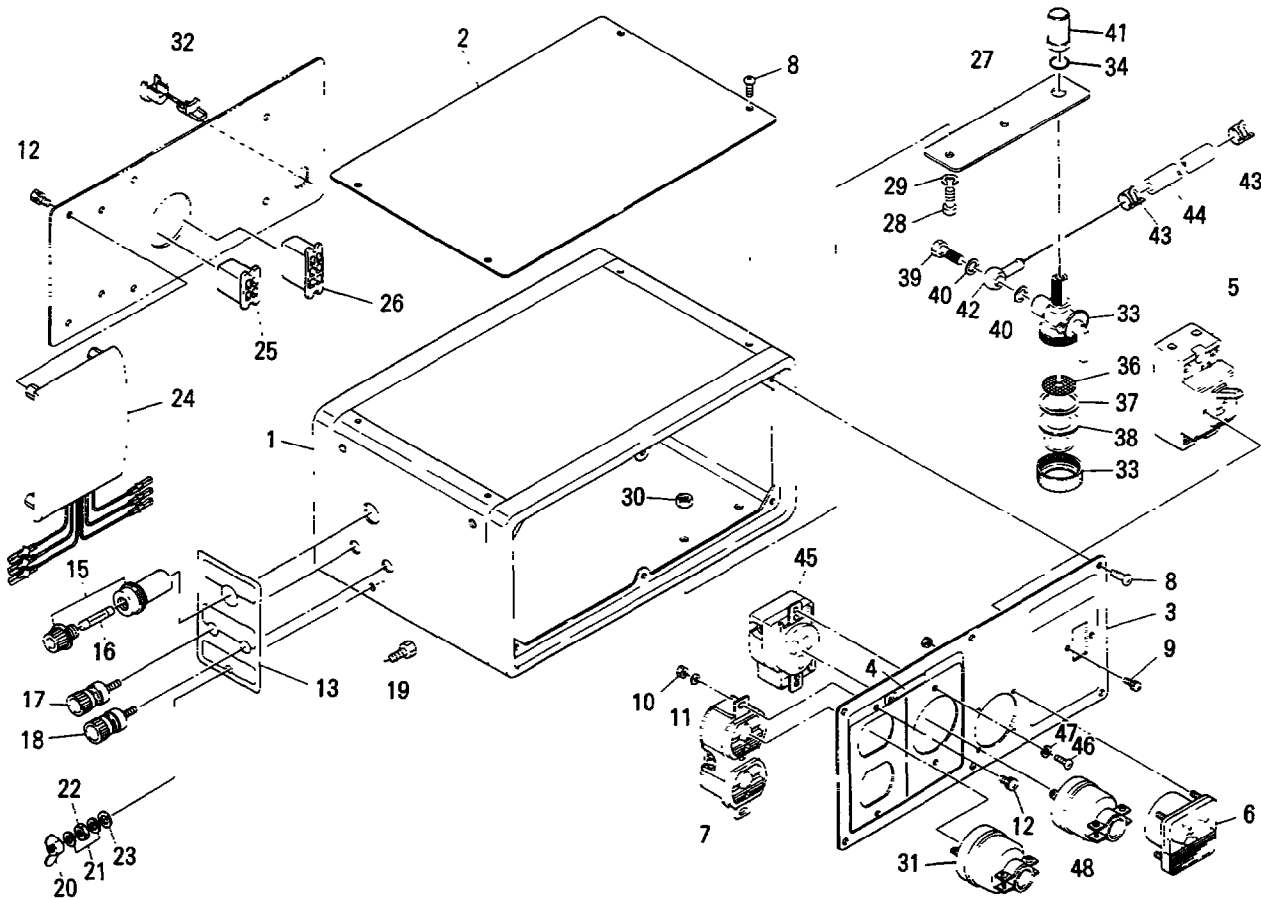


Ref No.	Description	Part Number	Q'ty	Interchangeability		Ref No.	Description	Part Number	Q'ty	Interchangeability	
				Execution	Ref No.					Execution	
* 1	CONTROL BOX ASSEMBLY Includes items 2 thru 30 and 45 thru 47 For 50Hz, 60Hz-220V	355 40183 08	1	X	GEN.No. 101168-	2	BOX COVER	353 45901 08	1		
* 1	CONTROL BOX ASSEMBLY Includes items 2 thru 30 and 45 thru 47 For 50Hz, 60Hz-220V	355 40183 08	1			* 3	CONTROL PANEL A ASSEMBLY Includes items 5 thru 12 and 45 thru 47 For 220V, 230V	355 41066 08	1		
* 1	CONTROL BOX ASSEMBLY Includes items 2 thru 30 and 45 thru 47 For 50Hz-230V	355 40184 08	1	X	GEN.No. 101168-	* 3	CONTROL PANEL A ASSEMBLY Includes items 5 thru 12 and 45 thru 47 For 240V	355 41067 08	1		
* 1	CONTROL BOX ASSEMBLY Includes items 2 thru 30 and 45 thru 47 For 50Hz-230V	355 40184 08	1			* 3	CONTROL PANEL A ASSEMBLY Includes items 5 thru 12 and 45 thru 47 For 50Hz-220V For CHINA	355 41184 08	1		
* 1	CONTROL BOX ASSEMBLY Includes items 2 thru 30 and 45 thru 47 For 50Hz-240V	355 40185 08	1	X	GEN.No. 101168-	3	CONTROL PANEL A For 220V	355 43251 08	1		
* 1	CONTROL BOX ASSEMBLY Includes items 2 thru 30 and 45 thru 47 For 50Hz-240V	355 40185 08	1			* 3	CONTROL PANEL A Includes item 4 For 230V	355 43252 08	1		
* 1	CONTROL BOX ASSEMBLY Includes items 2 thru 30 and 45 thru 47 For 50Hz-240V	355 40386 08	1			* 3	CONTROL PANEL A Includes item 4 For 240V	355 43253 08	1		
1	CONTROL BOX	353 43016 08	1		GEN.No. 101168-	3	CONTROL PANEL A For 220V For CHINA	355 43323 08	1		
1	CONTROL BOX	353 43016 08	1	X		4	LABEL, volt mark (AC 230V)	353 49034 08	1		
						4	LABEL, volt mark (AC 240V)	353 49035 08	1		

When ordering parts: Always give the Model, Specification and Serial Number of Generator.

Fig. 2 CONTROL BOX (RGX 505, 220V·230V·240V)

GENERATOR PARTS

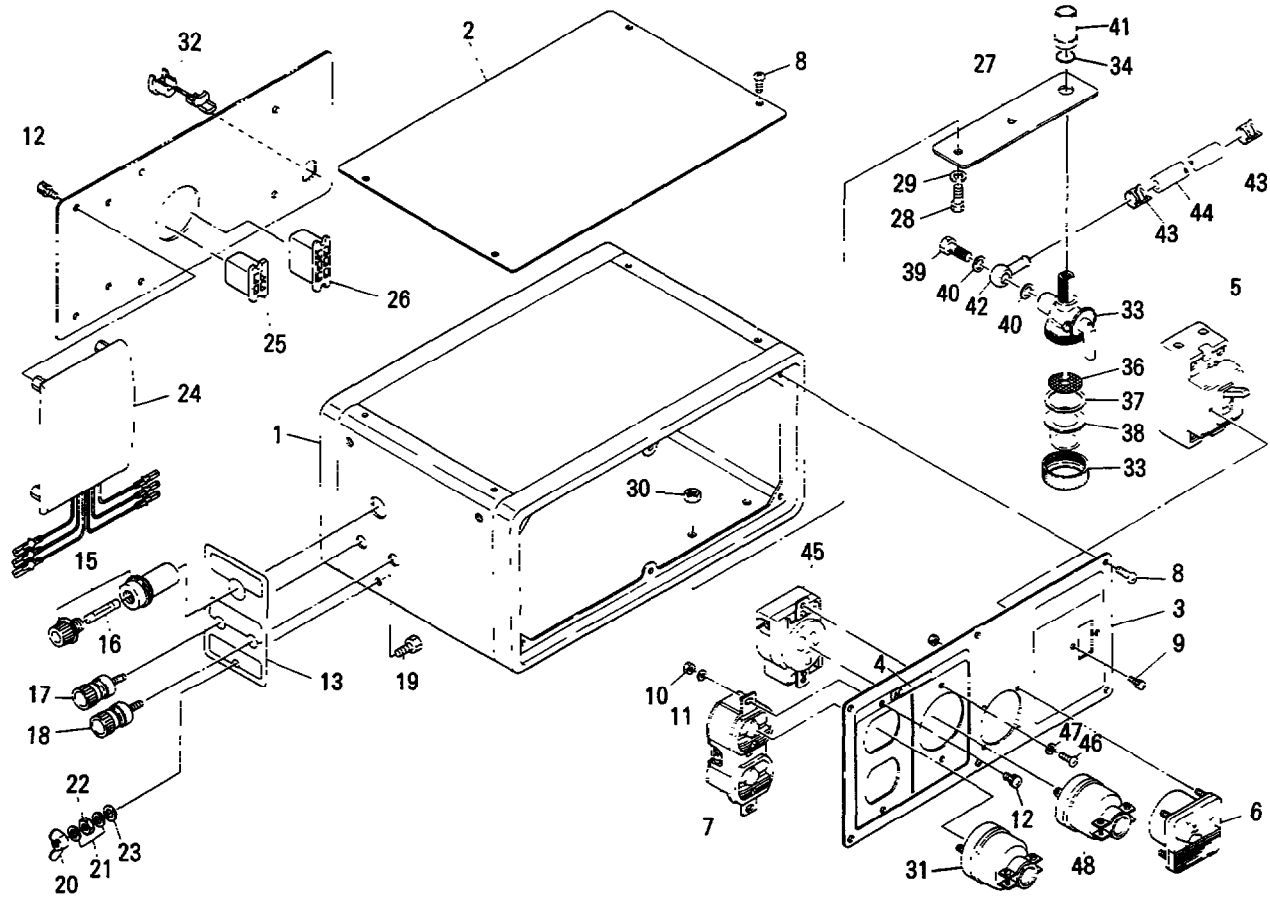


Ref No.	Description	Part Number	Q'ty	Execution	Interchangeability				
					Ref No.	Description	Part Number	Q'ty	Execution
5	NO FUSE BREAKER (25A) For 220V, 230V	332 40225 08	1		22	NUT	353 49902 08	1	
5	NO FUSE BREAKER (20A) For 240V	328 67275 08	1		23	WASHER	353 49903 08	1	
6	AC VOLTMETER (300V)	350 40611 08	1		*24	AVR ASSEMBLY Includes item 25 For 50Hz, 60Hz-220V	354 30043 18	1	GEN. No. 101240-
6	AC VOLTMETER (300V)	320 75112 08	1		*24	AVR ASSEMBLY Includes item 25 For 50Hz, 60Hz-220V	354 30043 08	1	
7	AC RECEPTACLE (250V-15A)	320 75121 08	1		*24	AVR ASSEMBLY Includes item 25 For 50Hz-230V	354 30044 18	1	GEN. No. 101240-
8	SCREW	353 49904 08	10		*24	AVR ASSEMBLY Includes item 25 For 50Hz-230V	354 30044 08	1	
9	SCREW and WASHER ASSEMBLY	004 35030 80	2		*24	AVR ASSEMBLY Includes item 25 For 50Hz-240V	354 30045 18	1	GEN. No. 101240-
10	NUT	002 17040 00	2		*24	AVR ASSEMBLY Includes item 25 For 50Hz-230V	354 30045 08	1	
11	WASHER	003 10040 00	2		*24	AVR ASSEMBLY Includes item 25 For 50Hz-240V	354 30045 08	1	GEN. No. 101240-
12	SCREW and WASHER ASSEMBLY	004 35041 00	6		25	CONNECTOR (4P)	353 47201 08	1	
13	LABEL, DC out	353 49036 08	1		26	CONNECTOR (6P)	353 47200 08	1	
13	LABEL, DC out For CHINA	353 49087 08	1		27	STRAINER BRACKET	353 47500 08	1	
15	FUSE HOLDER (DC)	320 59855 08	1		28	BOLT	001 66051 20	2	
16	FUSE, 10A (DC)	320 59860 08	3		29	SPRING WASHER	003 20050 00	2	
17	TERMINAL BOLT (Color: BLACK)	363 45700 08	1		30	NUT	002 17050 00	2	
18	TERMINAL BOLT (Color: RED)	363 45701 08	1		31	AC PLUG	320 75122 08	2	
19	SCREW	353 49900 08	1						
20	WING NUT	353 49901 08	1						
21	SPRING WASHER	332 00050 08	2						

When ordering parts: Always give the Model, Specification and Serial Number of Generator.

Fig.2 CONTROL BOX (RGX 505, 220V·230V·240V)

GENERATOR PARTS

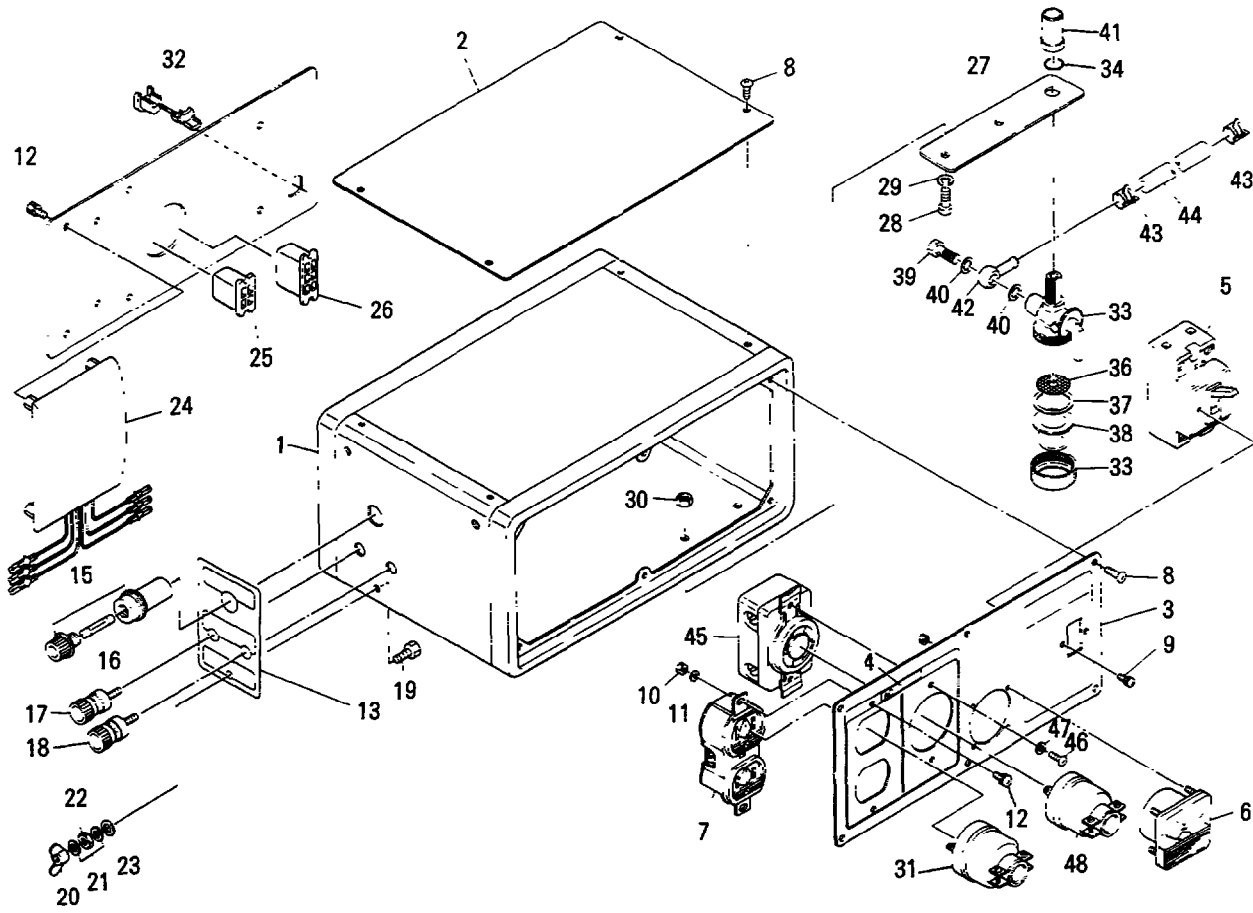


Ref No.	Description	Part Number	Q'ty	Interchangeability		Ref No.	Description	Part Number	Q'ty	Interchangeability	
				Execution						Execution	
32	CORD BUSH	363 56000 08	1								
*33	FUEL STRAINER ASSEMBLY Includes items 34 thru 40	064 20023 10	1								
*33	FUEL STRAINER ASSEMBLY Includes items 34 thru 40	064 20023 00	1								
34	" O " RING	064 20003 30	1								
36	FILTER	064 20002 20	1								
37	PACKING	064 20002 30	1								
38	CUP	064 20002 10	1								
39	BANJO BOLT	064 20002 40	1								
40	FIBER PACKING	064 20002 50	2								
41	NUT, joint	053 30900 20	1								
42	BANJO	052 10700 42	1								
43	HOSE CLAMP	056 11100 20	2								
44	RUBBER PIPE (6 φ × 12 φ × 150 mm)	085 10600 00	1								
45	AC RECEPTACLE(250V-20A)	355 45704 08	1								
46	SCREW	353 49905 08	2								
47	SPRING WASHER	326 00335 08	2								
48	AC PLUG	355 45706 08	1								

When ordering parts: Always give the Model, Specification and Serial Number of Generator.

Fig. 3 CONTROL BOX (RGX 505, 110V-120V)

GENERATOR PARTS

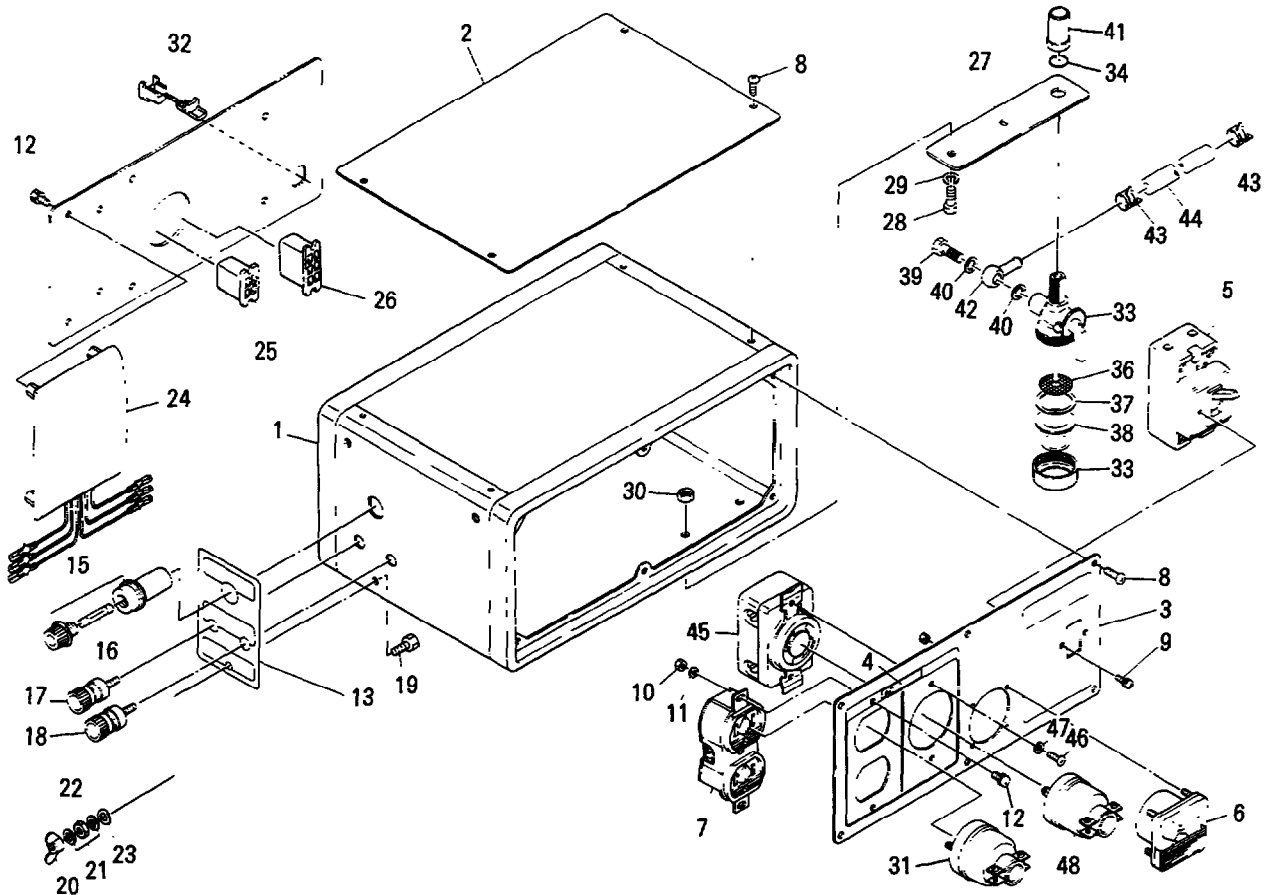


Interchangeability					Interchangeability					
Ref No.	Description	Part Number	Q'ty	Execution	Ref No.	Description	Part Number	Q'ty	Execution	
* 1	CONTROL BOX ASSEMBLY Includes items 2 thru 30 and 45 thru 47 For 50Hz-110V	355 40182	18	1	X	* 3	CONTROL PANEL A ASSEMBLY Includes items 5 thru 12 and 45 thru 47 For 50Hz-110V, 60Hz-120V	355 41065	08	1
* 1	CONTROL BOX ASSEMBLY Includes items 2 thru 30 and 45 thru 47 For 50Hz-110V	355 40182	08	1		* 3	CONTROL PANEL A ASSEMBLY Includes items 5 thru 12 and 45 thru 47 For 60Hz-110V	355 41068	08	1
* 1	CONTROL BOX ASSEMBLY Includes items 2 thru 30 and 45 thru 47 For 60Hz-110V	355 40186	18	1	X	* 3	CONTROL PANEL A Includes item 4 For 110V	355 43249	08	1
* 1	CONTROL BOX ASSEMBLY Includes items 2 thru 30 and 45 thru 47 For 60Hz-110V	355 40186	08	1		* 3	CONTROL PANEL A Includes item 4 For 120V	355 43250	08	1
* 1	CONTROL BOX ASSEMBLY Includes items 2 thru 30 and 45 thru 47 For 60Hz-120V	355 40187	18	1	X	4	LABEL, volt mark (AC 110V)	353 49031	08	1
* 1	CONTROL BOX ASSEMBLY Includes items 2 thru 30 and 45 thru 47 For 60Hz-120V	355 40187	08	1		4	LABEL, volt mark (AC 120V)	353 49037	08	1
* 1	CONTROL BOX ASSEMBLY Includes items 2 thru 30 and 45 thru 47 For 60Hz-120V	355 40187	08	1	X	5	NO FUSE BREAKER (40A) For 50Hz-110V, 60Hz-120V	328 67265	08	1
1	CONTROL BOX	353 43016	18	1		5	NO FUSE BREAKER (30A) For 50Hz-60Hz-110V, 60Hz-120V	327 66260	08	1
1	CONTROL BOX	353 43016	08	1		5	NO FUSE BREAKER (45A) For 60Hz-110V	355 45614	08	1
2	BOX COVER	353 45901	08	1	X	6	AC VOLTMETER (150V)	350 40610	08	1
						6	AC VOLTMETER (150V)	320 75127	08	1
						7	AC RECEPTACLE (125V-15A)	320 59850	08	1
						8	SCREW	353 49904	08	10

When ordering parts: Always give the Model, Specification and Serial Number of Generator.

Fig. 3 CONTROL BOX (RGX 505, 110V-120V)

GENERATOR PARTS

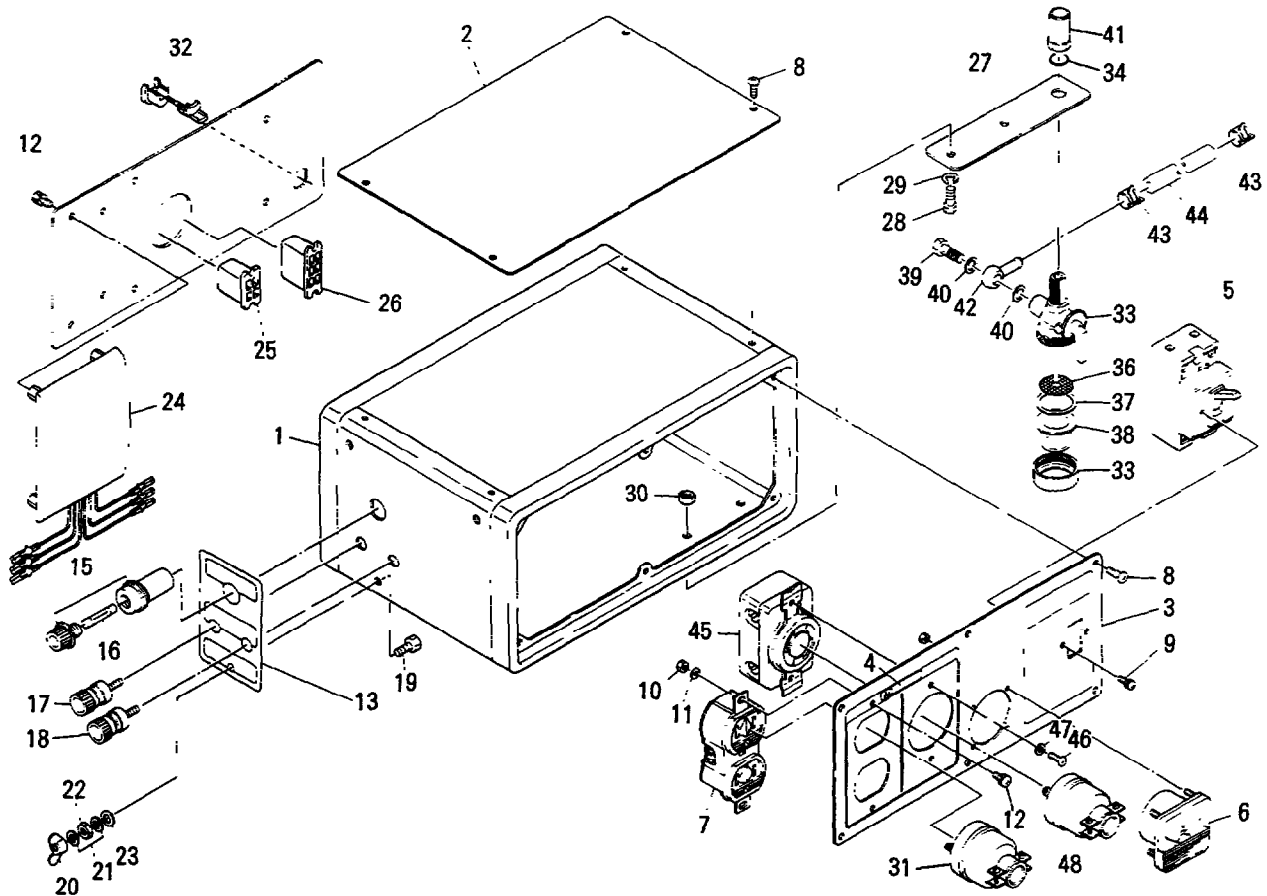


Interchangeability					Interchangeability				
Ref No.	Description	Part Number	Q'ty	Execution	Ref No.	Description	Part Number	Q'ty	Execution
9	SCREW and WASHER ASSEMBLY	004 35030 80	2		*24	AVR ASSEMBLY Includes item 25 For 60Hz-120V	354 30035 18	1	GEN.No. 101240-
10	NUT	002 17040 00	2		*24	AVR ASSEMBLY Includes item 25 For 60Hz-120V	354 30035 08	1	
11	WASHER	003 10040 00	2		25	CONNECTOR (4P)	353 47201 08	1	
12	SCREW and WASHER ASSEMBLY	004 35041 00	6		26	CONNECTOR (6P)	353 47200 08	1	
13	LABEL, DC out	353 49036 08	1		27	STRAINER BRACKET	353 47500 08	1	
15	FUSE HOLDER (DC)	320 59855 08	1		28	BOLT	001 66051 20	2	
16	FUSE, 10A (DC)	320 59860 08	3		29	SPRING WASHER	003 20050 00	2	
17	TERMINAL BOLT (Color: BLACK)	363 45700 08	1		30	NUT	002 17050 00	2	
18	TERMINAL BOLT (Color: RED)	363 45701 08	1		31	AC PLUG	320 75176 08	2	
19	SCREW	353 49900 08	1		32	CORD BUSH	363 56000 08	1	
20	WING NUT	353 49901 08	1		*33	FUEL STRAINER ASSEMBLY Includes items 34 thru 40	064 20023 10	1	
21	SPRING WASHER	332 00050 08	2		*33	FUEL STRAINER ASSEMBLY Includes items 34 thru 40	064 20023 00	1	
22	NUT	353 49902 08	1		34	"O" RING	064 20003 30	1	
23	WASHER	353 49903 08	1		36	FILTER	064 20002 20	1	
*24	AVR ASSEMBLY Includes item 25 For 50Hz, 60Hz-110V	354 30033 18	1	GEN.No. 101240-	37	PACKING	064 20002 30	1	
*24	AVR ASSEMBLY Includes item 25 For 50Hz-110V	354 30033 08	1		38	CUP	064 20002 10	1	
*24	AUR ASSEMBLY Includes item 25 For 60Hz-110V	354 30034 08	1		39	BANJO BOLT	064 20002 40	1	

When ordering parts: Always give the Model, Specification and Serial Number of Generator.

Fig. 3 CONTROL BOX (RGX 505, 110V-120V)

GENERATOR PARTS

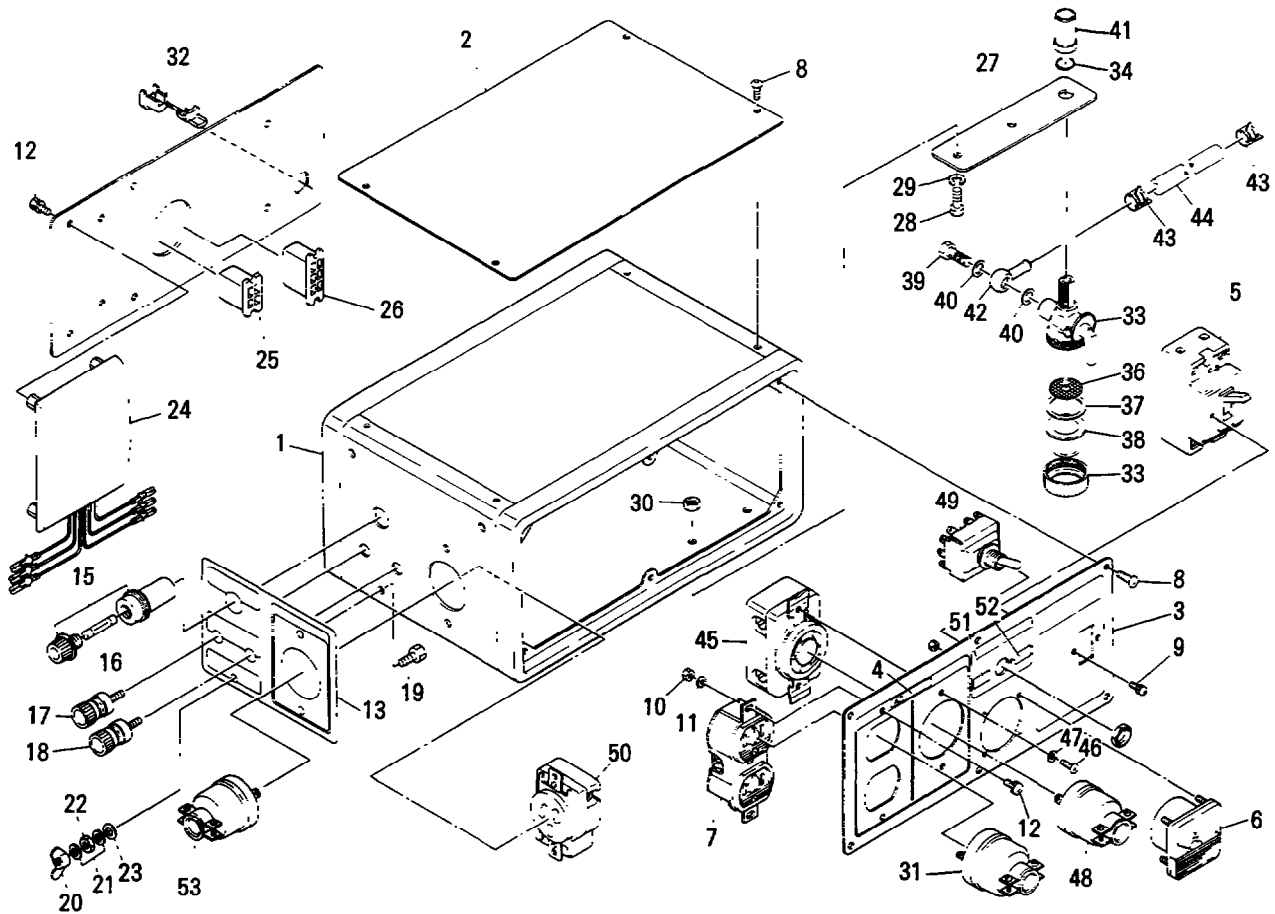


Ref No.	Description	Part Number	Q'ty	Interchangeability		Ref No.	Description	Part Number	Q'ty	Interchangeability	
				Execution						Execution	
40	FIBER PACKING	064 20002	50	2							
41	NUT, joint	053 30900	20	1							
42	BANJO	052 10700	42	1							
43	HOSE CLAMP	056 11100	20	2							
44	RUBBER PIPE (6 φ × 12 φ × 150 mm)	085 10600	00	1							
45	AC RECEPTACLE (TWIST LOCK)	355 45703	08	1							
46	SCREW	353 49905	08	2							
47	SPRING WASHER	326 00335	08	2							
48	AC PLUG (TWIST LOCK)	353 45705	08	1							

When ordering parts: Always give the Model, Specification and Serial Number of Generator.

Fig. 4 CONTROL BOX (RGX 505D, 110V/220V·120V/240V)

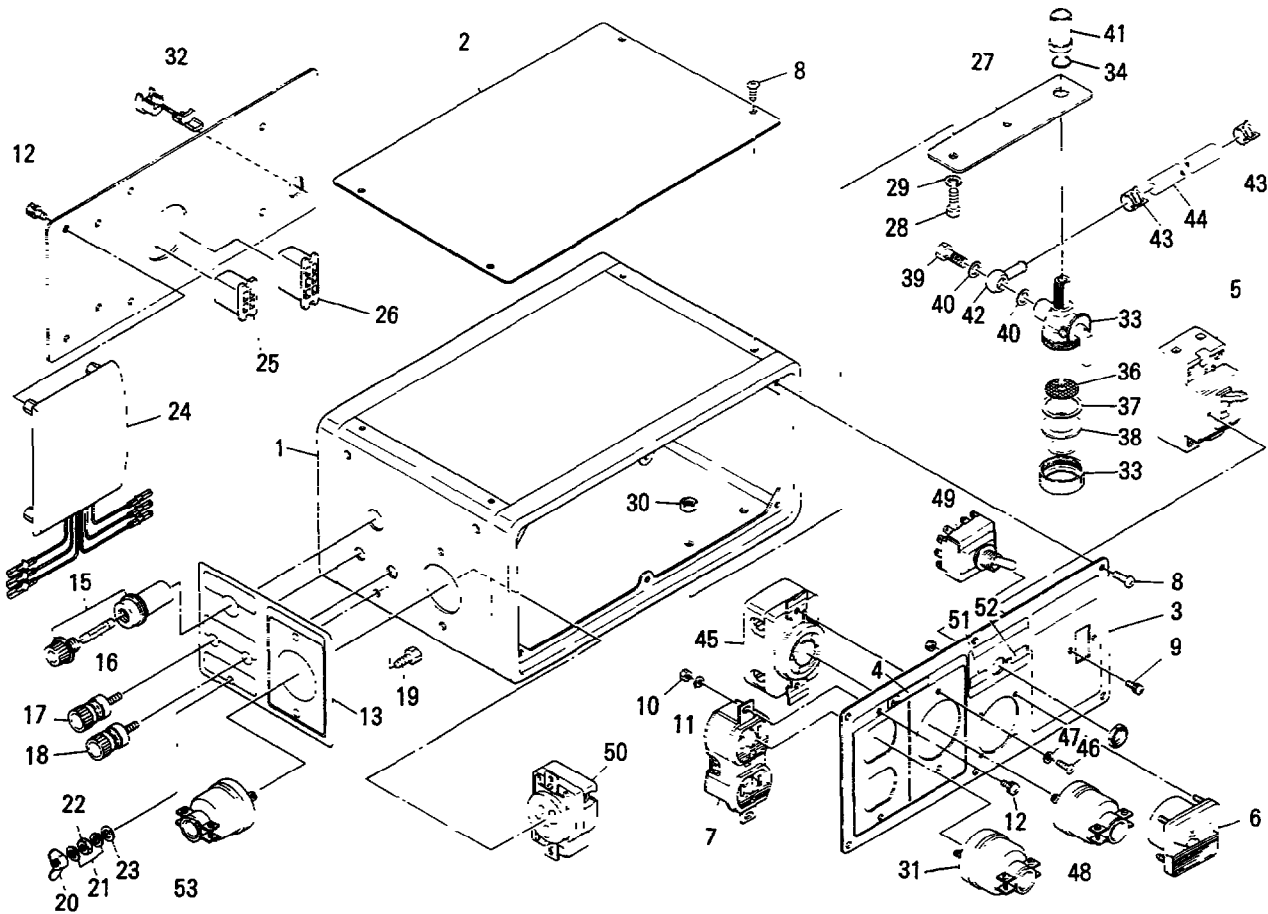
GENERATOR PARTS



Interchangeability					Interchangeability				
Ref No.	Description	Part Number	Q'ty	Execution	Ref No.	Description	Part Number	Q'ty	Execution
* 1	CONTROL BOX ASSEMBLY Includes items 2 thru 30, 45 thru 47 and 49 thru 52 For 50Hz, 60Hz-110V/220V	355 40165 18	1	GEN.No. 101770-	2	BOX COVER	353 45901 08	1	
* 1	CONTROL BOX ASSEMBLY Includes items 2 thru 30, 45 thru 47 and 49 thru 52 For 50Hz-110V/220V	355 40165 08	1	x	* 3	CONTROL PANEL A ASSEMBLY Includes items 5 thru 12, 45 thru 47 and 49 For 50Hz·60Hz-110V/220V, 60Hz-120V/240V	355 41059 08	1	
* 1	CONTROL BOX ASSEMBLY Includes items 2 thru 30, 45 thru 47 and 49 thru 52 For 60Hz-110V/220V	355 40167 08	1	x	* 3	CONTROL PANEL A ASSEMBLY Includes items 5 thru 12, 45 thru 47 and 49 For 50Hz-120V/240V	354 41058 08	1	
* 1	CONTROL BOX ASSEMBLY Includes items 2 thru 30, 45 thru 47, 49 and 50 For 50Hz-120V/240V	355 40166 18	1	GEN.No. 101770-	* 3	CONTROL PANEL A Includes item 4, 51 and 52 For 50Hz·60Hz-110V/220V	355 43240 08	1	
* 1	CONTROL BOX ASSEMBLY Includes items 2 thru 30, 45 thru 47, 49 and 50 For 50Hz-120V, 240V	355 40166 08	1	x	3	CONTROL PANEL A For 50Hz-120V/240V	353 43238 08	1	
* 1	CONTROL BOX ASSEMBLY Includes items 2 thru 30, 45 thru 47, 49 and 50 For 60Hz-120V/240V	355 40168 18	1	GEN.No. 101770-	3	CONTROL PANEL A For 60Hz-120V/ 240V	355 43241 08	1	
* 1	CONTROL BOX ASSEMBLY Includes items 2 thru 30, 45 thru 47, 49 and 50 For 60Hz-120V/240V	355 40168 08	1	x	4	LABEL, volt mark (AC 110V)	353 49031 08	1	
1	CONTROL BOX	353 43015 18	1	GEN.No. 101770-	5	NO FUSE BREAKER (20A) For 50Hz·60Hz-110V/220V, 50Hz·60Hz-120V/240V	328 67275 08	1	
1	CONTROL BOX	353 43015 08	1	x	5	NO FUSE BREAKER (25A) For 50Hz·60Hz-110V/220V, 60Hz-120V/240V	332 40225 08	1	
					6	AC VOLTMETER (150V)	350 40610 08	1	
					6	AC VOLTMETER (150V)	320 75127 08	1	
					7	AC RECEPTACLE (125V-15A)	320 59850 08	1	

When ordering parts: Always give the Model, Specification and Serial Number of Generator.

Fig. 4 CONTROL BOX (RGX 505D, 110V/220V·120V/240V)
GENERATOR PARTS

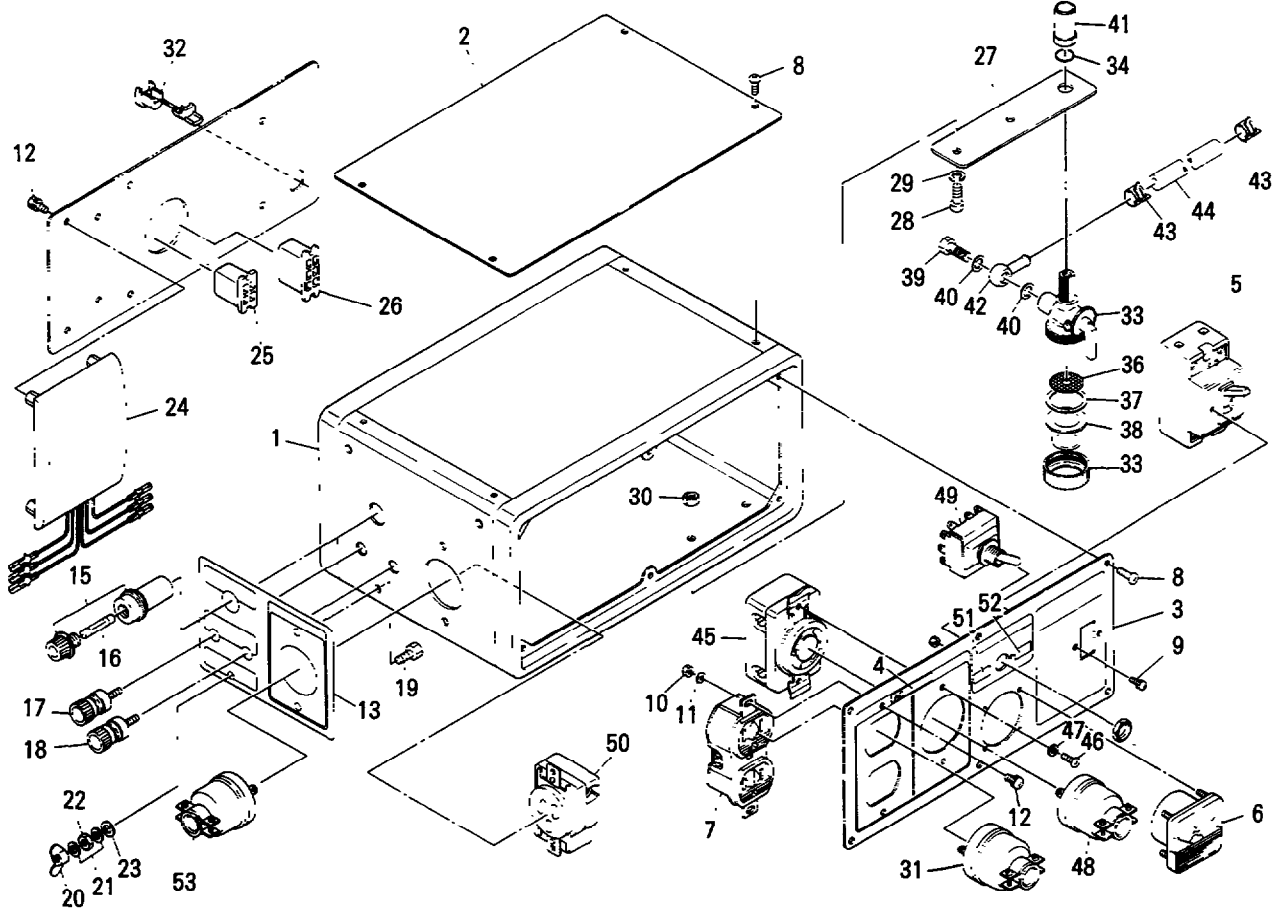


Interchangeability					Interchangeability				
Ref No.	Description	Part Number	Q'ty	Execution	Ref No.	Description	Part Number	Q'ty	Execution
8	SCREW	353 49904 08	10		*24	AVR ASSEMBLY Includes item 25 For 50Hz, 60Hz-110V/220V	354 30033 18	1	GEN.No. 101760-
9	SCREW and WASHER ASSEMBLY	004 35030 80	2		*24	AVR ASSEMBLY Includes item 25 For 50Hz-110V/220V	354 30029 08	1	
10	NUT	002 17040 00	2		*24	AVR ASSEMBLY Includes item 25 For 60Hz-110V/220V	354 30031 08	1	
11	WASHER	003 10040 00	2		*24	AVR ASSEMBLY Includes item 25 For 50Hz, 60Hz-120V/240V	354 30035 18	1	GEN.No. 101760-
12	SCREW and WASHER ASSEMBLY	004 35041 00	6		*24	AVR ASSEMBLY Includes item 25 For 50Hz-120V/240V	354 30030 08	1	
13	LABEL, side	353 43504 08	1		*24	AVR ASSEMBLY Includes item 25 For 60Hz-120V/240V	354 30032 08	1	
15	FUSE HOLDER (DC)	320 59855 08	1		25	CONNECTOR (4P)	353 47201 08	1	
16	FUSE, 10A (DC)	320 59860 08	3		26	CONNECTOR (6P)	353 47200 08	1	
17	TERMINAL BOLT (Color: BLACK)	363 45700 08	1		27	STRAINER BRACKET	353 47500 08	1	
18	TERMINAL BOLT (Color: RED)	363 45701 08	1		28	BOLT	001 66051 20	2	
19	SCREW	353 49900 08	1		29	SPRING WASHER	003 20050 00	2	
20	WING NUT	353 49901 08	1		30	NUT	002 17050 00	2	
21	SPRING WASHER	332 00050 08	2		31	AC PLUG (125V-15A)	320 75176 08	2	
22	NUT	353 49902 08	1		32	CORD BUSH	363 56000 08	1	
23	WASHER	353 49903 08	1						

When ordering parts: Always give the Model, Specification and Serial Number of Generator.

Fig. 4 CONTROL BOX (RGX 505D, 110V/220V·120V/240V)

GENERATOR PARTS

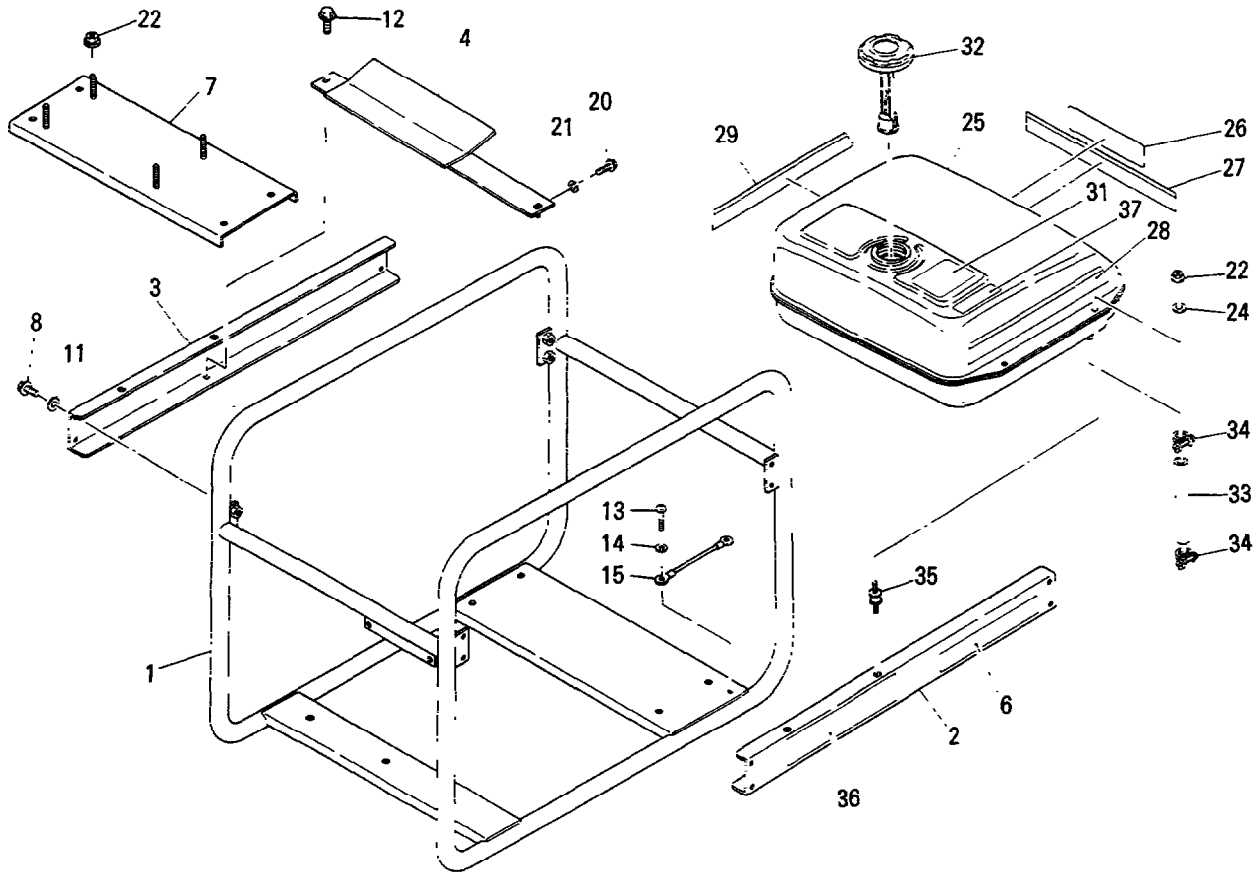


Ref No.	Description	Part Number	Q'ty	Execution	Interchangeability				
					Ref No.	Description	Part Number	Q'ty	Execution
*33	FUEL STRAINER ASSEMBLY Includes items 34 thru 40	064 20023 10	1		49	SWITCH ASSEMBLY (6P) For 50Hz-120V/240V	353 45612 08	1	
*33	FUEL STRAINER ASSEMBLY Includes items 34 thru 40	064 20023 00	1		50	AC RECEPTACLE (250V-20A)	355 45704 08	1	
34	"O" RING	064 20003 30	1		51	LABEL, volt mark (110V)	353 49032 08	1	
36	FILTER	064 20002 20	1		52	LABEL, volt mark (110V/220V)	353 49033 08	1	
37	PACKING	064 20002 30	1		53	AC PLUG (250V-20A)	355 45706 08	1	
38	CUP	064 20002 10	1						
39	BANJO BOLT	064 20002 40	1						
40	FIBER PACKING	064 20002 50	2						
41	NUT, joint	053 30900 20	1						
42	BANJO	052 10700 42	1						
43	HOSE CLAMP	056 11100 20	2						
44	RUBBER PIPE (6φ × 12φ × 150 mm)	085 10600 00	1						
45	AC RECEPTACLE (TWIST LOCK)	353 45703 08	1						
46	SCREW	353 49905 08	2						
47	SPRING WASHER	326 00335 08	2						
48	AC PLUG (TWIST LOCK)	353 45705 08	1						
49	SWITCH ASSEMBLY (9P) For 50Hz · 60Hz-110V/220V, 60Hz-120V/240V	355 45613 08	1						

When ordering parts; Always give the Model, Specification and Serial Number of Generator.

Fig. 5 PIPE FRAME and FUEL TANK

GENERATOR PARTS

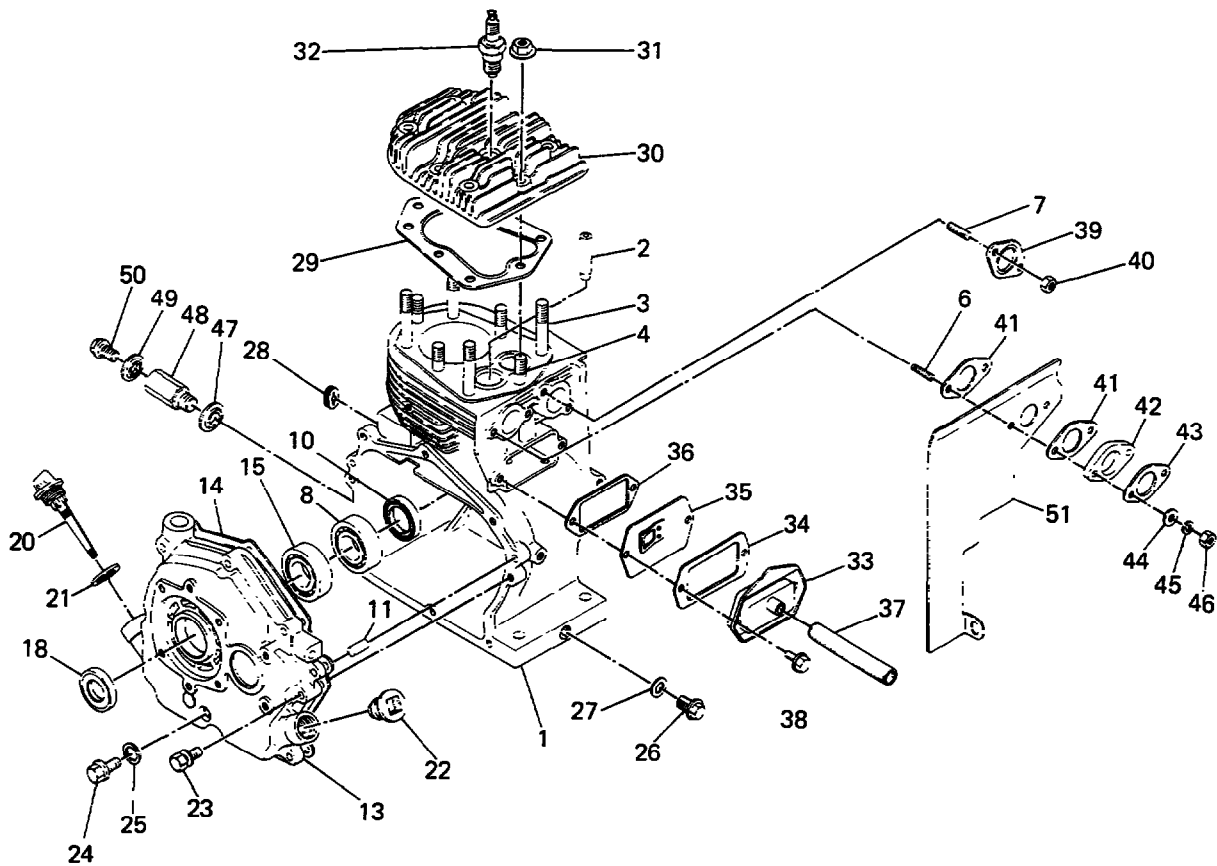


Interchangeability				Interchangeability					
Ref No.	Description	Part Number	Q'ty	Execution	Ref No.	Description	Part Number	Q'ty	Execution
1	PIPE FRAME	354 56013	18	1	*25	FUEL TANK, complete	224 60301	11	1
1	PIPE FRAME	355 56014	08	1		Includes items 26 thru 29			
* 2	SIDE PLATE A Includes items 6 and 36 For RGX 505	355 58513	08	1	26	LABEL, Robin	073 20020	70	1
* 2	SIDE PLATE A Includes items 6 and 36 For RGX 505D	355 58514	08	1	27	LABEL 1	073 20020	40	1
3	SIDE PLATE B	354 58510	08	1	28	LABEL 2	073 20020	50	1
4	BOX STAY	354 58508	08	1	29	LABEL 3	073 20020	60	1
6	LABEL, series name For MODEL RGX 505	355 59010	08	1	31	LABEL, caution	363 49023	08	1
6	LABEL, series name For MODEL RGX 505D	355 59011	08	1	31	LABEL, caution For CHINA	364 49078	08	1
7	ENGINE BASE	354 54804	08	1	32	FUEL GAUGE, complete	064 64200	90	1
8	BOLT	353 59938	08	8	32	FUEL GAUGE, complete	064 64200	10	1
11	WASHER	353 59918	08	8	33	RUBBER PIPE (11.5 φ × 17.5 φ × 155 mm)	085 11100	00	1
12	BOLT	353 59941	08	2	34	HOSE CLAMP	009 17200	00	2
13	SCREW	341 00508	08	1	35	VIBRATION ISOLATOR	356 57045	08	4
14	SPRING WASHER	332 00050	08	1	36	LABEL, Robin Generator	353 59043	08	1
15	EARTH CORD	320 75128	08	1	37	LABEL, oil caution For CHINA	073 20030	80	1
20	BOLT	001 66061	20	4					
21	SPRING WASHER	359 59934	08	4					
22	NUT	359 59932	08	8					
24	WASHER	003 10080	00	4					

When ordering parts; Always give the Model, Specification and Serial Number of Generator.

Fig. 6 CRANKCASE and CYLINDER HEAD

ENGINE PARTS

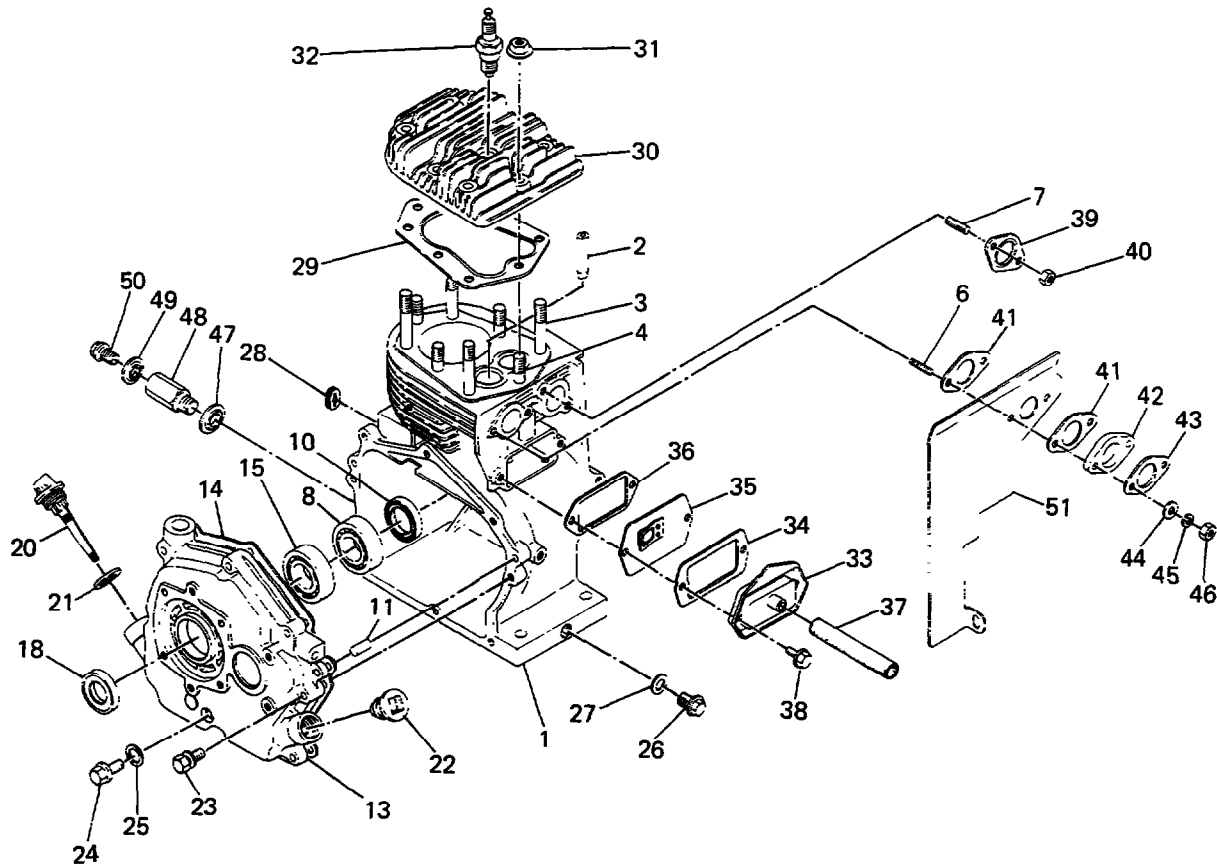


Ref No.	Description	Part Number	Q'ty	Execution	Interchangeability				
					Ref No.	Description	Part Number	Q'ty	Execution
* 1	CRANKCASE, complete Includes items 2 thru 4, 6 thru 8, 10 and 11	224 10203 01	1		24	BOLT	001 65061 20	1	RO1
2	VALVE GUIDE, over size	224 14201 03	2		24	FLANGE BOLT	011 00600 10	1	RO1
3	STUD	010 51002 80	4		25	GASKET, aluminium	003 70060 00	1	
4	STUD	010 51002 70	4		26	PLUG	040 11400 30	1	
6	STUD	010 50602 00	2	RO1	27	GASKET	021 11400 20	1	
6	STUD	001 31063 51	2	RO1	28	GROMMET	224 75501 03	1	
7	STUD	010 50802 90	2	RO1	29	GASKET, head	224 15101 03	1	
7	STUD	001 31083 01	2	RO1	30	CYLINDER HEAD	224 13101 03	1	
8	BALL BEARING (BB-6207C3)	060 03500 10	1		31	FLANGE NUT	002 38100 00	12	
10	OIL SEAL (TB-35, 48, 8)	044 03500 90	1		32	SPARK PLUG (NGK-BP-4HS)	065 01401 90	1	
11	DOWEL PIN	005 26081 80	2		33	TAPPET COVER, complete	224 14301 11	1	RO1
13	MAIN BEARING COVER, complete	224 11004 01	1		33	TAPPET COVER, complete	224 14301 01	1	RO1
14	GASKET, main bearing cover	224 15201 03	1		34	GASKET, tappet cover	224 15301 03	1	
15	BALL BEARING (BB-6207C3)	060 03500 10	1		35	BREATHER PLATE, complete	224 14401 01	1	
18	OIL SEAL (TB-35, 48, 8)	044 03500 90	1		36	GASKET, tappet cover	224 15401 03	1	
20	OIL GAUGE	224 63601 03	1		37	RUBBER PIPE (12.5 φ × 16 φ × 100 mm)	085 11200 00	1	
21	GASKET	021 32000 10	1		38	FLANGE BOLT	011 00600 30	2	
22	PLUG, rubber	042 02200 10	1		39	GASKET, exhaust	224 35101 03	1	
23	BOLT and WASHER ASSEMBLY	001 14083 50	8		40	NUT	017 00800 30	2	RO1
					40	NUT	002 19080 00	2	RO1
					41	GASKET, insulator	224 35202 03	2	

When ordering parts: Always give the Model, Specification and Serial Number of Generator.

Fig. 6 CRANKCASE and CYLINDER HEAD

ENGINE PARTS

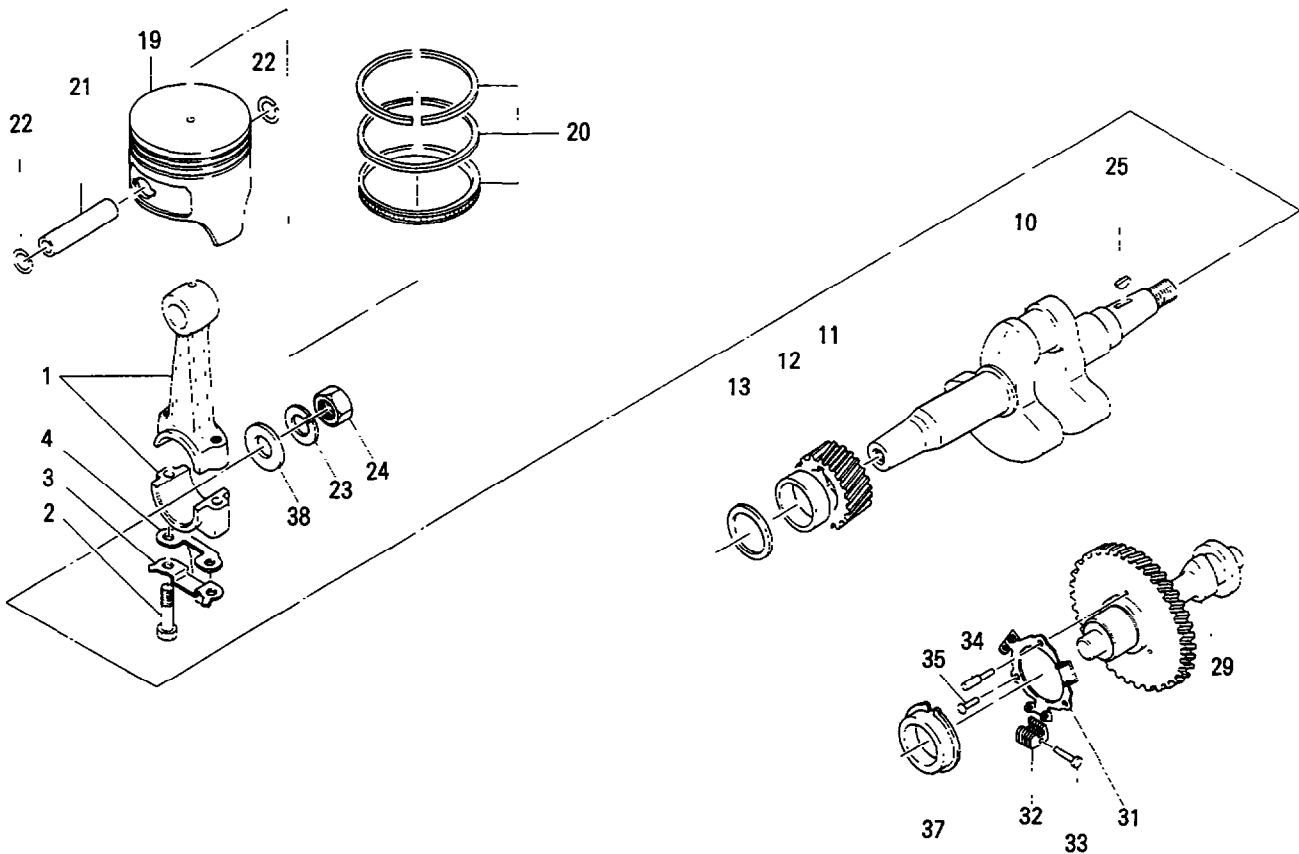


Ref No.	Description	Part Number	Q'ty	Interchangeability		Ref No.	Description	Part Number	Q'ty	Interchangeability	
				Execution						Execution	
42	INSULATOR	224 32901 03	1								
43	GASKET, insulator	224 35201 03	1								
44	WASHER	003 10060 00	2								
45	SPRING WASHER	003 20060 00	2								
46	NUT	002 28060 00	2								
46	NUT	002 27060 00	2								
47	SEAL WASHER	021 81400 10	1								
48	UNION	050 21000 30	1								
49	SEAL WASHER	021 81000 10	1								
50	PLUG	040 11000 10	1								
51	BAFFLE, carburetor side	223 53802 03	1								

When ordering parts: Always give the Model, Specification and Serial Number of Generator.

Fig. 7 CRANKSHAFT, CAMSHAFT and PISTON

ENGINE PARTS

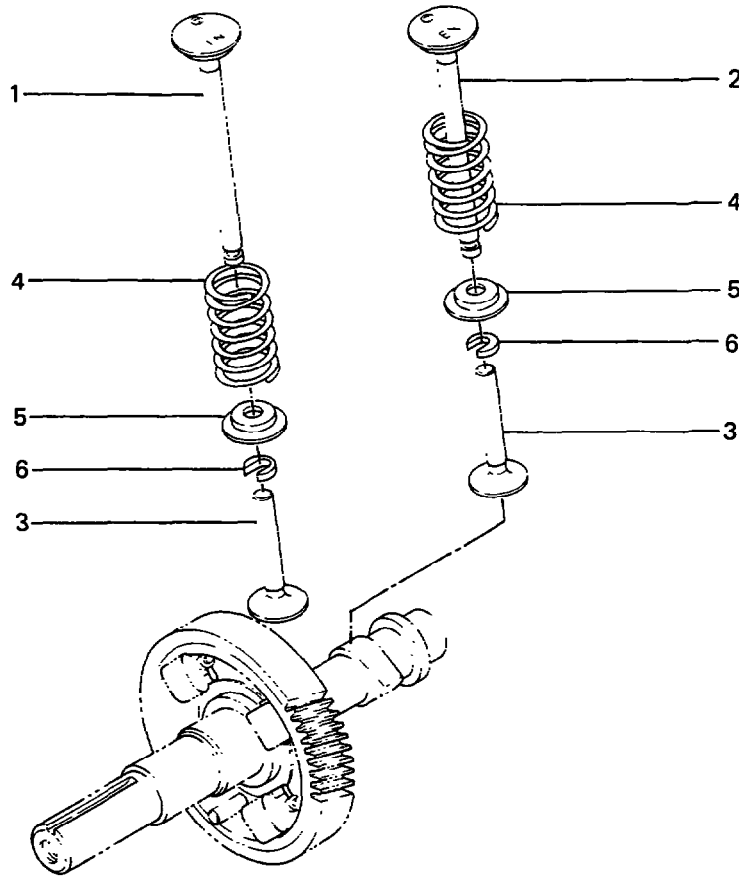


Ref No.	Description	Part Number	Interchangeability			Ref No.	Description	Part Number	Interchangeability		
			Q'ty.	Execution	Q'ty.				Execution		
* 1	CONNECTING ROD ASSEMBLY Includes items 2 thru 4	224 22501 10	1	129659-	20	PISTON RING SET, over size 0.25 mm	224 23502 17	1	129659-		
* 1	CONNECTING ROD ASSEMBLY Includes items 2 thru 4	224 22501 00	1		20	PISTON RING SET, over size 0.25 mm	224 23502 07	1			
2	CONNECTING ROD BOLT	217 23001 03	2		20	PISTON RING SET, over size 0.50 mm	224 23503 17	1	129659-		
3	LOCK WASHER, rod	224 23201 03	1		20	PISTON RING SET over size 0.50 mm	224 23503 07	1			
4	OIL SCRAPER	224 23102 03	1	129659-	21	PISTON PIN	224 23301 03	1			
4	OIL SCRAPER	224 23101 03	1		22	CLIP	056 52200 11	2			
*10	CRANKSHAFT, complete Includes item 11	224 20702 01	1		23	SPRING WASHER	003 20180 00	1			
11	CRANKSHAFT GEAR	Not for sale	1		24	NUT	002 18180 00	1			
12	SPACER	224 25103 03	1		25	WOODRUFF KEY	005 32044 01	1			
13	SPACER, t=1.05	023 03500 10	1		*29	CAMSHAFT, complete Includes items 31 thru 35	224 31701 01	1			
13	SPACER, t=1.2	023 03500 60	1		37	GOVERNOR SLEEVE	224 41901 03	1			
13	SPACER, t=1.35	023 03500 70	1		38	WASHER	003 10180 00	1			
19	PISTON (STD.)	224 23401 13	1	129659-							
19	PISTON (STD.)	224 23401 03	1								
19	PISTON, over size 0.25 mm	224 23402 13	1	129659-							
19	PISTON, over size 0.25 mm	224 23402 03	1								
19	PISTON, over size 0.50 mm	224 23403 13	1	129659-							
19	PISTON, over size 0.50 mm	224 23403 03	1								
20	PISTON RING SET (STD.)	224 23501 17	1	129659-							
20	PISTON RING SET (STD.)	224 23501 07	1								

When ordering parts: Always give the Model, Specification and Serial Number of Generator.

ENGINE PARTS

Fig.8 VALVE and TAPPET

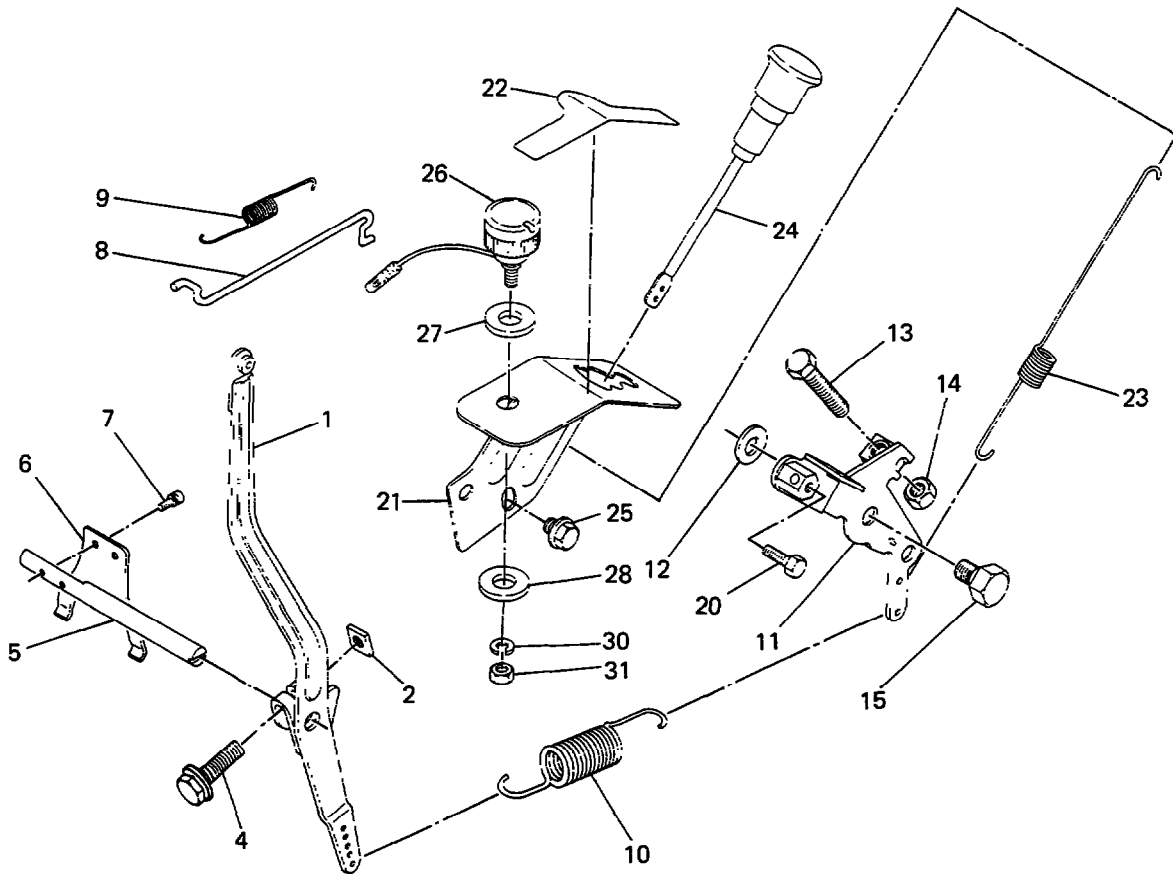


Interchangeability					Interchangeability				
Ref No.	Description	Part Number	Q'ty	Execution	Ref No.	Description	Part Number	Q'ty	Execution
1	INTAKE VALVE	224 33401 03	1						
2	EXHAUST VALVE	224 33501 03	1						
3	TAPPET	224 33301 03	2						
4	VALVE SPRING	208 33601 13	2						
5	SPRING RETAINER	208 33701 03	2						
6	RETAINER LOCK	217 33801 03	2						

When ordering parts: Always give the Model, Specification and Serial Number of Generator.

Fig. 9 GOVERNOR and SPEED CONTROL

ENGINE PARTS

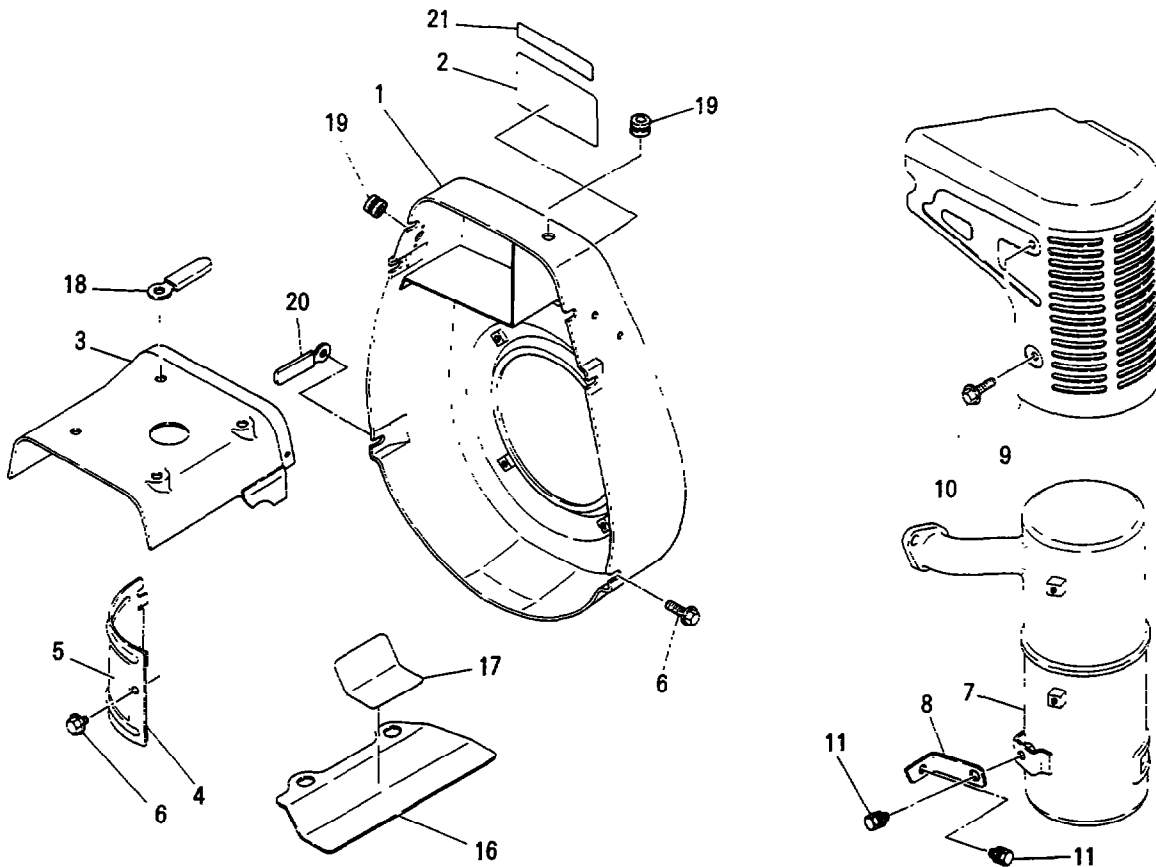


Interchangeability				Interchangeability					
Ref No.	Description	Part Number	Q'ty	Execution	Ref No.	Description	Part Number	Q'ty	Execution
1	GOVERNOR LEVER, complete	224 42306	01	1	*21	BRACKET, complete Includes item 22	224 45007	01	1
2	NUT	018 60600	20	1	22	LABEL, control	073 20020	80	1
2	NUT	018 60600	10	1	22	LABEL, control For CHINA	073 20030	00	1
4	BOLT and WASHER ASSEMBLY	001 14062	50	1	23	CONTROL SPRING	224 45102	03	1
	BOLT	001 66062	50	1	24	KNOB, complete, speed control	224 45201	01	1
	WASHER	003 10060	00	1	25	FLANGE BOLT	011 00600	10	2
5	GOVERNOR SHAFT	224 42201	03	1	26	STOP BUTTON ASSEMBLY	066 20000	30	1
6	GOVERNOR YOKE	224 42101	03	1	27	WASHER	003 12040	00	1
7	SCREW and WASHER ASSEMBLY	004 35040	80	1	28	WASHER	020 01000	40	1
8	GOVERNOR ROD	224 42701	01	1	30	SPRING WASHER	003 20040	00	1
9	ROD SPRING	214 42801	01	1	31	NUT	002 17040	00	1
10	GOVERNOR SPRING	224 42501	01	1					
11	SPEED CONTROL, complete	224 43302	01	1					
12	FRICTION WASHER	021 70800	10	1					
13	BOLT	001 65064	00	1					
14	NUT	002 27060	00	1					
15	PIVOT BOLT	224 43101	01	1					
20	BOLT	011 60400	10	1					
*21	BRACKET, complete Includes item 22	224 45003	01	1					

When ordering parts: Always give the Model, Specification and Serial Number of Generator.

Fig. 10 BLOWER HOUSING and MUFFLER

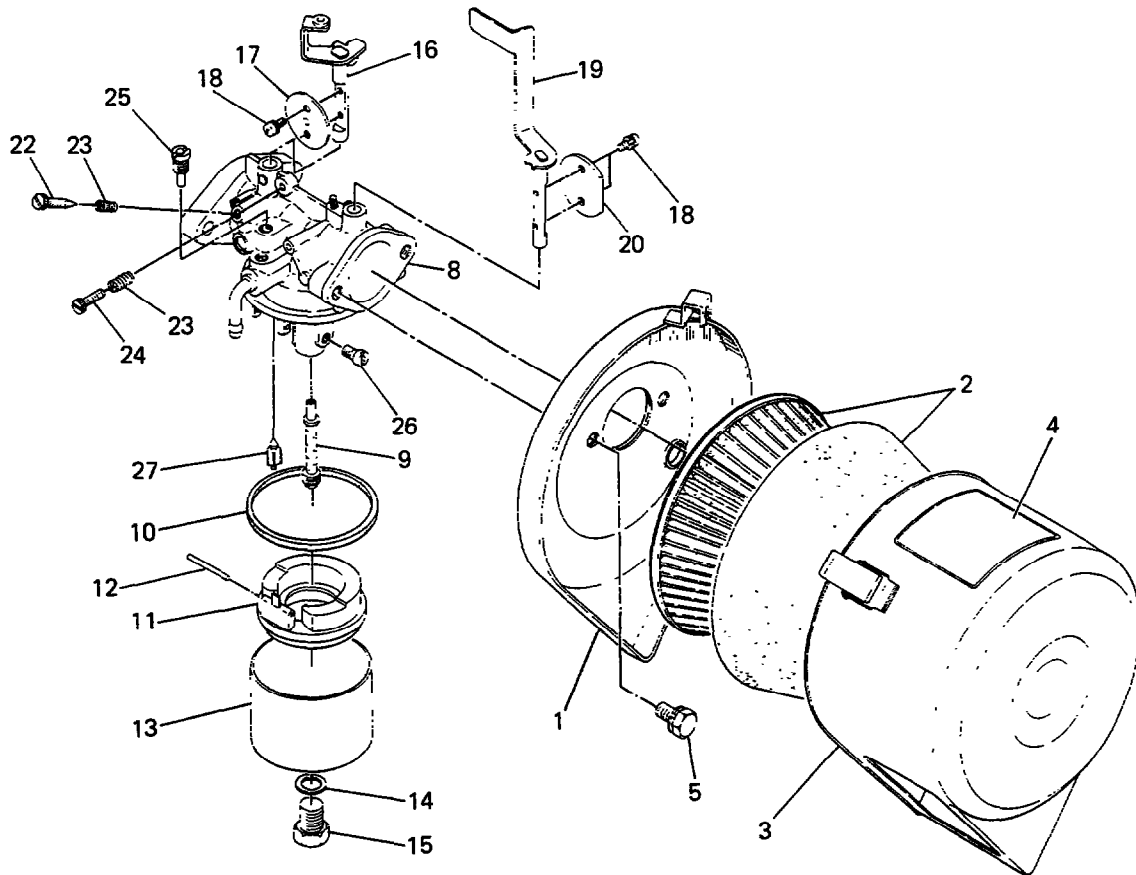
ENGINE PARTS



Interchangeability					Interchangeability				
Ref No.	Description	Part Number	Q'ty	Execution	Ref No.	Description	Part Number	Q'ty	Execution
* 1	BLOWER HOUSING, complete Includes item 2	224 51209 01	1		9	MUFFLER COVER, complete	224 34221 01	1	131540-
* 1	BLOWER HOUSING, complete Includes item 2 For U.S.A. and CANADA	223 51240 01	1		9	MUFFLER COVER, complete	224 34201 01	1	
2	LABEL, trade mark	073 20019 40	1		10	FLANGE BOLT	011 00600 10	4	
2	LABEL, trade mark For U.S.A. and CANADA	223 91718 13	1		11	BOLT and WASHER ASSEMBLY	001 11081 60	2	
3	HEAD COVER, complete	224 52604 01	1		11	BOLT and WASHER ASSEMBLY	001 10081 60	2	
* 4	CYLINDER BAFFLE, complete Includes item 5	224 52704 01	1			WASHER	003 10080 00	1	
* 4	CYLINDER BAFFLE, complete Includes item 5 For CHINA	224 52725 01	1		*16	PLATE, complete Includes item 17	224 58002 01	1	
5	LABEL, engine name	224 91806 03	1		*16	PLATE, complete Includes item 17 For CHINA	224 58004 01	1	
5	LABEL, engine name For CHINA	224 91821 03	1		17	LABEL, choke	073 20020 90	1	
6	FLANGE BOLT	011 00600 10	7		17	LABEL, choke For CHINA	073 20030 10	1	
7	MUFFLER, complete	224 30121 01	1	131540-	18	CLAMP	056 60002 20	1	
7	MUFFLER, complete	224 30101 01	1		19	GROMMET	024 10300 30	2	
8	MUFFLER BRACKET	224 35021 11	1	131540-	20	CLAMP	226 75101 03	1	
8	MUFFLER BRACKET	224 35001 01	1		21	LABEL, solid state ignition	073 20021 10	1	
					* NOTE * The new parts from item 7 to 9 are interchangeable only in the case that these parts are replaced simultaneously with the old parts item 7 to 9 in the form of one set.				

When ordering parts; Always give the Model, Specification and Serial Number of Generator.

Fig. 11 AIR CLEANER and CARBURETOR

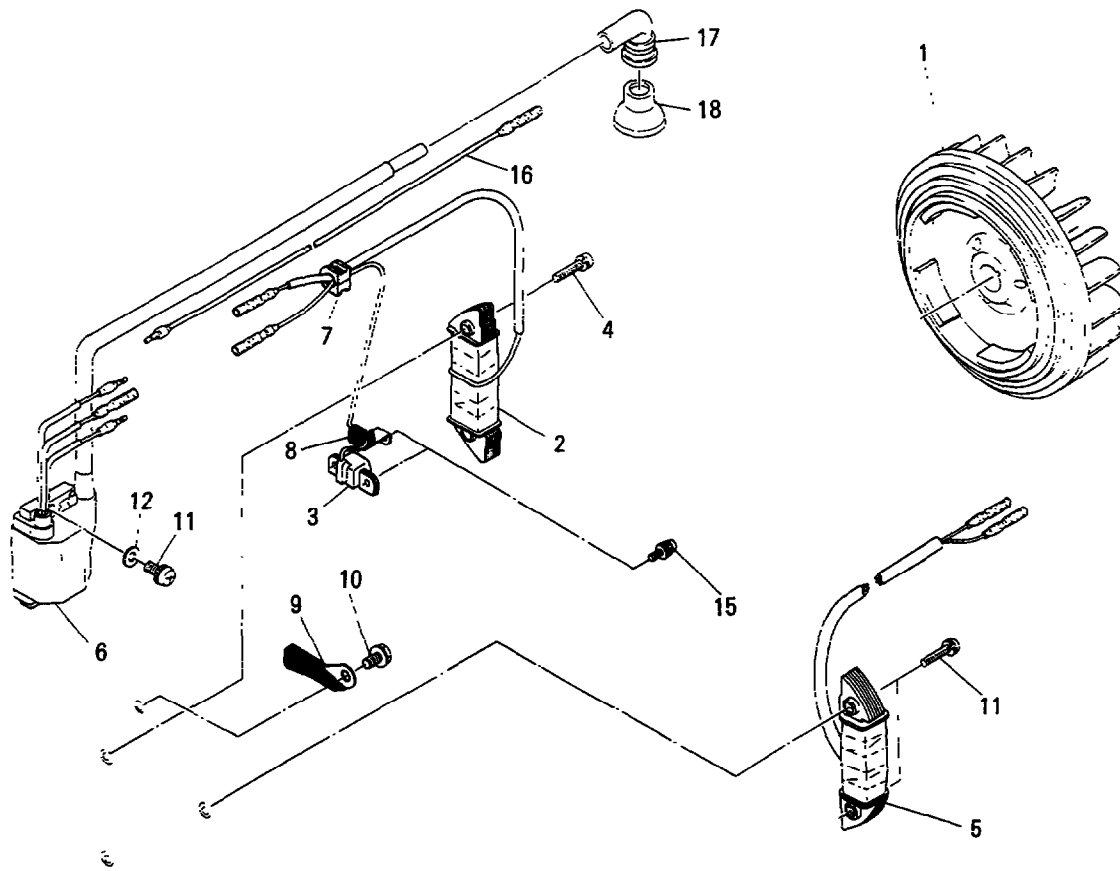


Interchangeability				Interchangeability					
Ref. No.	Description	Part Number	Q'ty	Execution	Ref. No.	Description	Part Number	Q'ty	Execution
* 1	AIR CLEANER ASSEMBLY Includes items 2 thru 4	224 32601 00	1		16	SHAFT ASSEMBLY, throttle For U.S.A. and CANADA	224 62533 08	1	
* 1	AIR CLEANER ASSEMBLY Includes items 2 thru 4 For CHINA	224 32607 00	1		17	THROTTLE VALVE (135)	224 62535 08	1	
2	ELEMENT SET	207 32601 07	1		18	SCREW ASSEMBLY	130 62250 08	4	
4	LABEL	107 32733 08	1		19	SHAFT ASSEMBLY, choke	224 62521 08	1	
4	LABEL For CHINA	073 20029 70	1		20	CHOKE VALVE	224 62525 08	1	
5	FLANGE BOLT	011 00600 20	2		22	PILOT SCREW	213 62435 08	1	
* 8	CARBURETOR ASSEMBLY Includes items 9 thru 27	224 62306 10	1		23	SPRING	206 62446 08	2	
* 8	CARBURETOR ASSEMBLY Includes items 9 thru 27	224 62306 00	1		24	SCREW	106 62358 08	1	
* 8	CARBURETOR ASSEMBLY Includes items 9 thru 27 For U.S.A. and CANADA	224 62311 00	1		25	PILOT JET (#57.5)	224 62420 08	1	
9	MAIN NOZZLE	224 62555 08	1		26	MAIN JET (#112.5)	109 62404 08	1	
10	PACKING	206 62540 08	1		27	NEEDLE ASSEMBLY	224 62302 08	1	
11	FLOAT ASSEMBLY	224 62505 08	1						
12	PIN	214 62515 08	1						
13	FLOAT CHAMBER BODY	224 62550 08	1						
14	PACKING	207 62345 08	1						
15	BOLT	150 62358 08	1						
16	SHAFT ASSEMBLY, throttle	224 62532 08	1						

When ordering parts: Always give the Model, Specification and Serial Number of Generator.

ENGINE PARTS

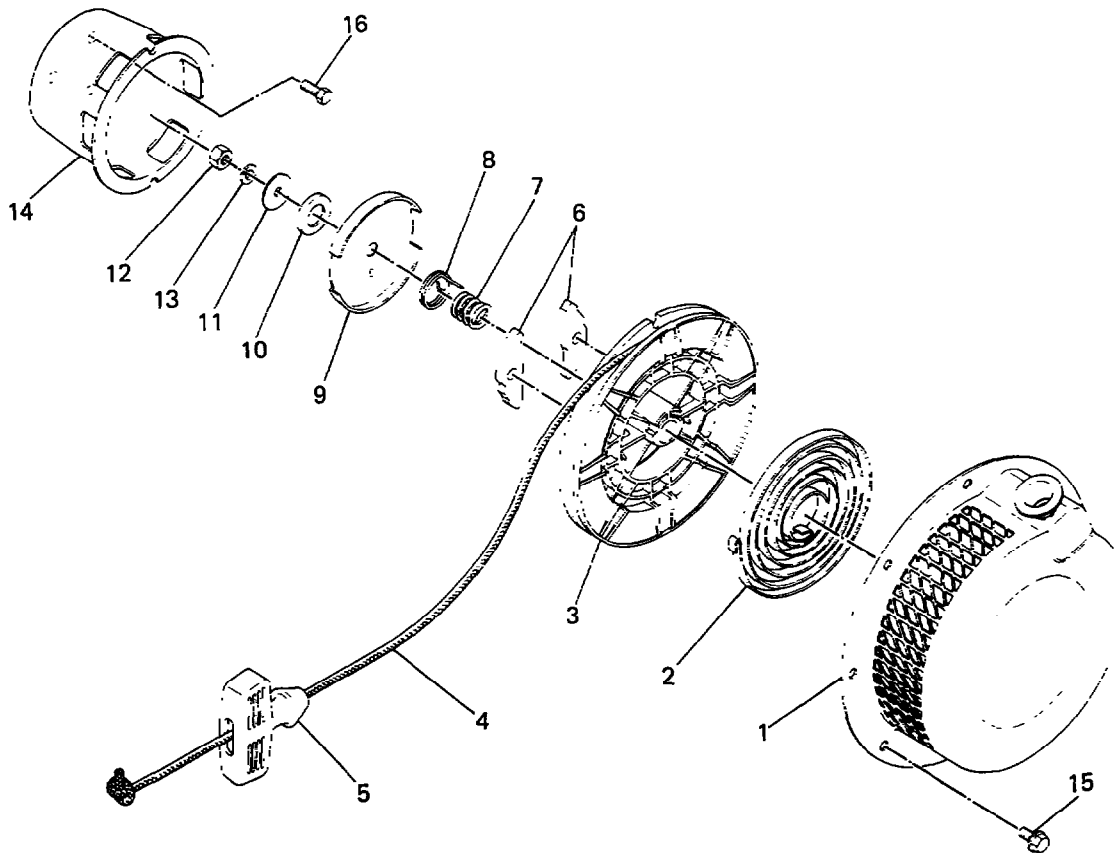
Fig. 12 MAGNETO



Interchangeability					Interchangeability				
Ref No.	Description	Part Number	Q'ty	Execution	Ref No.	Description	Part Number	Q'ty	Execution
* 1	MAGNETO ASSEMBLY Includes items 2, 3 and 5	224 70124 00	1						
1	FLYWHEEL	224 70123 08	1						
2	EXCITER COIL	224 70135 08	1						
3	PULSER COIL	224 70150 08	1						
4	SCREW and WASHER ASSEMBLY	004 35062 50	2						
5	EXCITING COIL	224 70136 08	1						
6	IGNITION UNIT, complete	224 72205 01	1	□					
6	IGNITION UNIT, complete	224 72203 01	1	□					
7	GROMMET	024 10900 50	1						
8	CLAMP, complete	205 78201 01	1						
9	WIRE CLAMP, complete	224 77002 01	1						
10	FLANGE BOLT	011 00600 10	1						
11	SCREW and WASHER ASSEMBLY	004 35062 00	4						
12	WASHER	003 10060 00	2						
15	SCREW and WASHER ASSEMBLY	004 35041 20	2	□					
	SCREW	004 31042 50	2	□					
	WASHER	003 10040 00	2	□					
	SPRING WASHER	003 20040 00	2	□					
16	WIRE 11, complete	224 73110 01	1						
17	SPARK PLUG CAP	065 50000 50	1						
18	CAP, rubber	042 20000 80	1						

When ordering parts: Always give the Model, Specification and Serial Number of Generator.

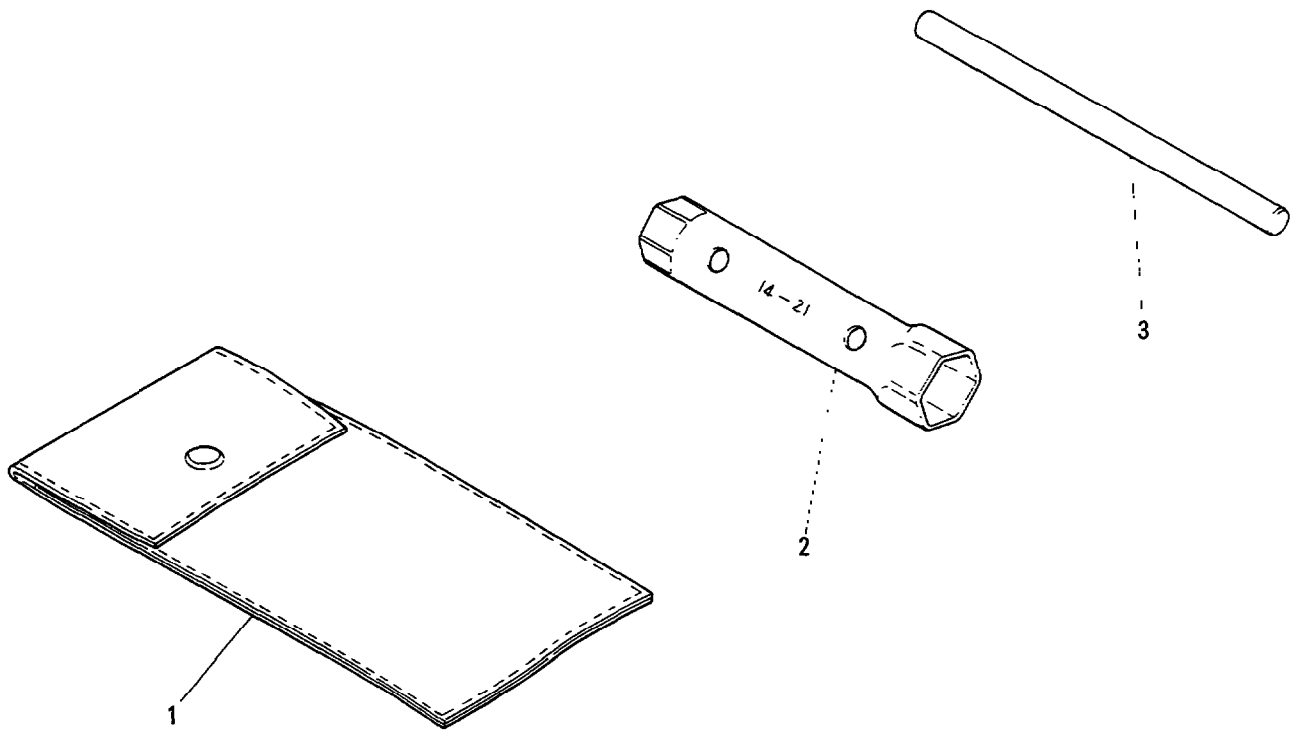
Fig. 13 RECOIL STARTER



Ref. No.	Description	Interchangeability			Ref. No.	Description	Interchangeability		
		Part Number	Q'ty	Execution			Part Number	Q'ty	Execution
* 1	RECOIL STARTER ASSEMBLY Includes items 2 thru 14	224 50102 00	1						
2	SPIRAL SPRING	113 50116 08	1						
4	STARTER ROPE	.207 50110 08	1						
5	STARTER KNOB	206 50101 08	1						
6	RATCHET	224 50125 08	2						
7	FRICTION SPRING	224 50130 08	1						
8	RETURN SPRING	224 50135 08	1						
9	FRICTION PLATE	224 50140 08	1						
10	THRUST WASHER B	224 50155 08	1						
11	THRUST WASHER	224 50150 08	1						
12	NUT	149 50152 08	1						
13	SPRING WASHER	129 50155 08	1						
14	STARTING PULLEY	224 50145 08	1						
15	FLANGE BOLT	011 00600 10	4						
16	BOLT	001 65081 20	3						

When ordering parts: Always give the Model, Specification and Serial Number of Generator.

Fig. 14 ACCESSORIES

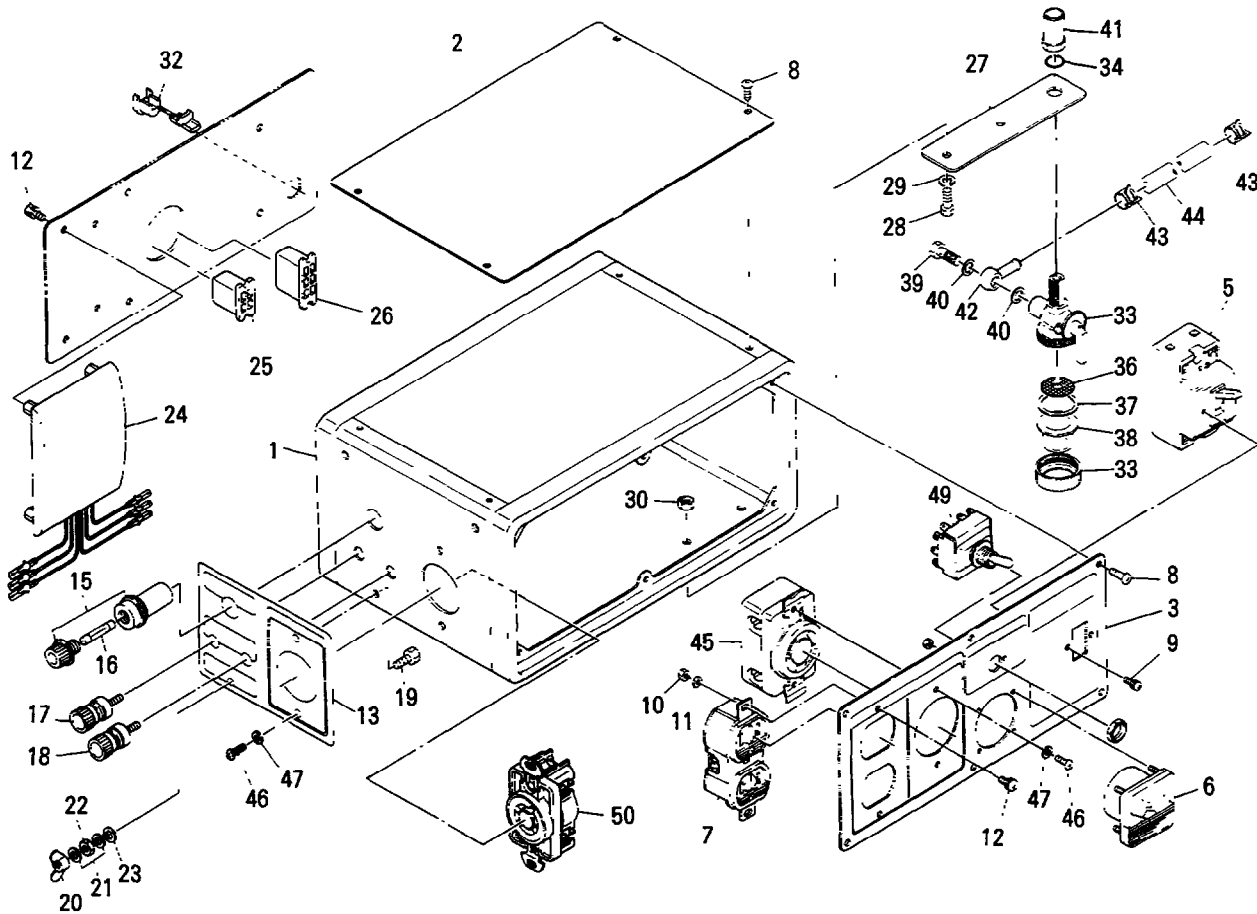


Ref No.	Description	Part Number	Interchangeability			Ref No.	Description	Part Number	Interchangeability		
			Q'ty	Execution	Q'ty				Execution		
* 1	ACCESSORY TOOLS KIT Includes items 2 and 3	214 90301 00	1								

When ordering parts: Always give the Model, Specification and Serial Number of Generator.

Fig.OP 1 CONTROL BOX (RGX 505D) (NEMA)

OPTIONAL PARTS

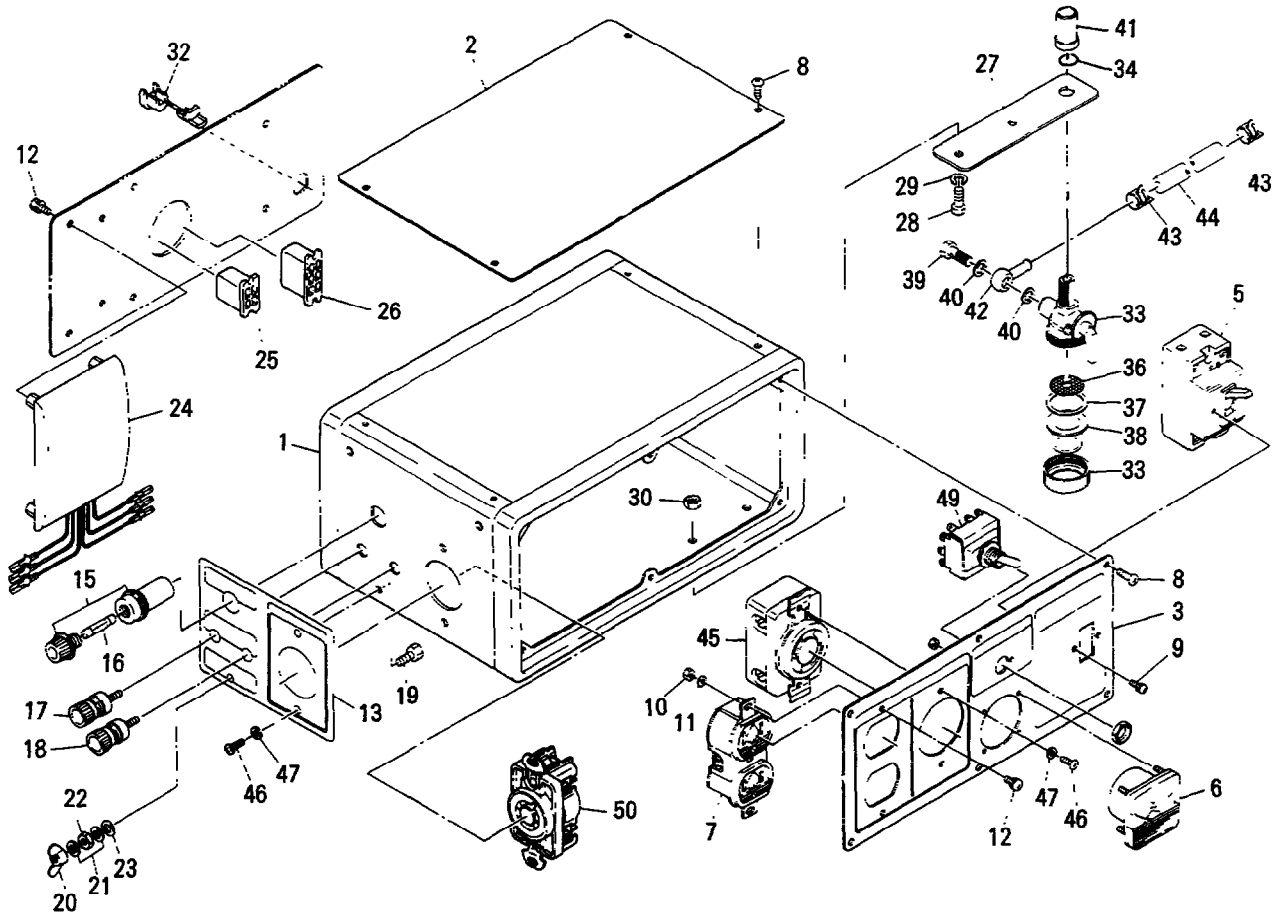


Interchangeability					Interchangeability				
Ref No.	Description	Part Number	Q'ty	Execution	Ref No.	Description	Part Number	Q'ty	Execution
* 1	CONTROL BOX ASSEMBLY Includes items 2 thru 30, 45 thru 47, 49 and 50	355 40312	28	1	11	WASHER	003 10040	00	2
* 1	CONTROL BOX ASSEMBLY Includes items 2 thru 30, 45 thru 47, 49 and 50	355 40312	18	1	12	SCREW and WASHER ASSEMBLY	004 35041	00	6
* 1	CONTROL BOX ASSEMBLY Includes items 2 thru 30, 45 thru 47, 49 and 50	355 40312	08	1	13	LABEL, side	353 43504	08	1
1	CONTROL BOX	353 43047	18	1	15	FUSE HOLDER (DC)	320 59855	08	1
1	CONTROL BOX	355 43041	08	1	16	FUSE, 10A (DC)	320 59860	08	3
1	CONTROL PANEL B	355 43513	08	1	17	TERMINAL BOLT (Color: BLACK)	363 45700	08	1
2	BOX COVER	353 45901	08	1	18	TERMINAL BOLT (Color: RED)	363 45701	08	1
* 3	CONTROL PANEL A ASSEMBLY Includes items 5 thru 12, 45 thru 47 and 49	355 41135	08	1	19	BOLT	353 49900	08	1
3	CONTROL PANEL A	355 43241	18	1	20	WING NUT	353 49901	08	1
5	NO FUSE BREAKER (20A)	328 67275	08	1	21	SPRING WASHER	332 00050	08	2
5	NO FUSE BREAKER (25A)	332 40225	08	1	22	NUT	353 49902	08	1
6	AC VOLTMETER (150V)	350 40610	08	1	23	WASHER	353 49903	08	1
6	AC VOLTMETER (150V)	320 75127	08	1	*24	AVR ASSEMBLY Includes item 25	354 30035	18	1
7	AC RECEPTACLE (125V-15A)	356 45712	08	1	*24	AVR ASSEMBLY Includes item 25	354 30032	08	1
8	SCREW	353 49904	08	10	25	CONNECTOR (4P)	353 47201	08	1
9	SCREW and WASHER ASSEMBLY	004 35030	80	2	26	CONNECTOR (6P)	353 47200	08	1
10	NUT	002 17040	00	2	27	STRAINER BRACKET	353 47500	08	1
					28	BOLT	001 66051	20	2
					29	SPRING WASHER	003 20050	00	2
					30	NUT	002 17050	00	2

When ordering parts: Always give the Model, Specification and Serial Number of Generator.

Fig.OP 1 CONTROL BOX (RGX 505D) (NEMA)

OPTIONAL PARTS

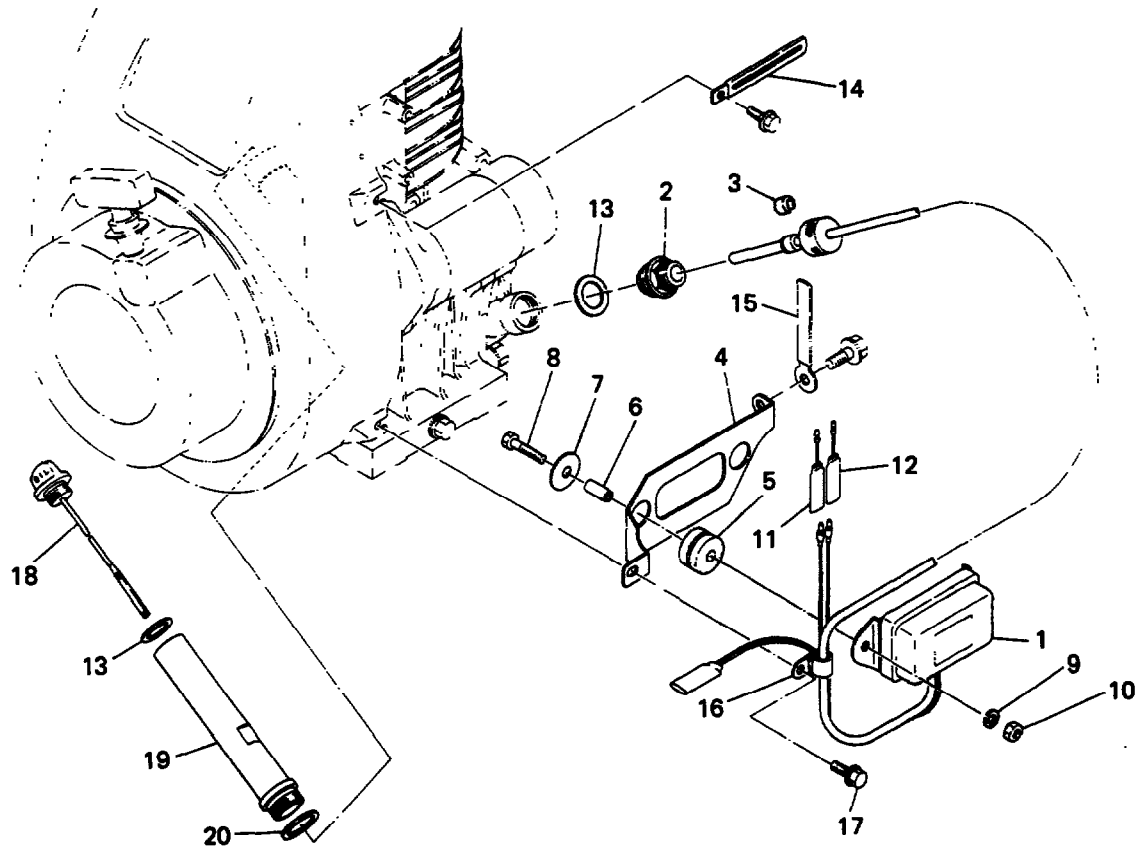


Interchangeability					Interchangeability				
Ref No.	Description	Part Number	Q'ty	Execution	Ref No.	Description	Part Number	Q'ty	Execution
32	CORD BUSH	363 56000 08	1		50	AC RECEPTACLE(250V-15A)	353 45724 08	1	GEN.No. 101520-
*33	FUEL STRAINER ASSEMBLY Includes items 34 thru 40	064 20023 10	1		50	AC RECEPTACLE (20A)	359 45714 08	1	
*33	FUEL STRAINER ASSEMBLY Includes items 34 thru 40	064 20023 00	1						
34	"O" RING	064 20003 30	1						
36	FILTER	064 20002 20	1						
37	PACKING	064 20002 30	1						
38	CUP	064 20002 10	1						
39	BANJO BOLT	064 20002 40	1						
40	FIBER PACKING	064 20002 50	2						
41	NUT, joint	053 30900 20	1						
42	BANJO	052 10700 42	1						
43	HOSE CLAMP	056 11100 20	2						
44	RUBBER PIPE (6φ × 12φ × 150 mm)	085 10600 00	1						
45	AC RECEPTACLE (TWIST LOCK)	356 45711 08	1						
46	SCREW	356 59937 08	4						
47	SPRING WASHER	326 00335 08	4						
49	SWITCH ASSEMBLY (6P)	355 45613 08	1						

When ordering parts; Always give the Model, Specification and Serial Number of Generator.

Fig.OP2 OIL SENSOR (UP TO '84)

OPTIONAL PARTS

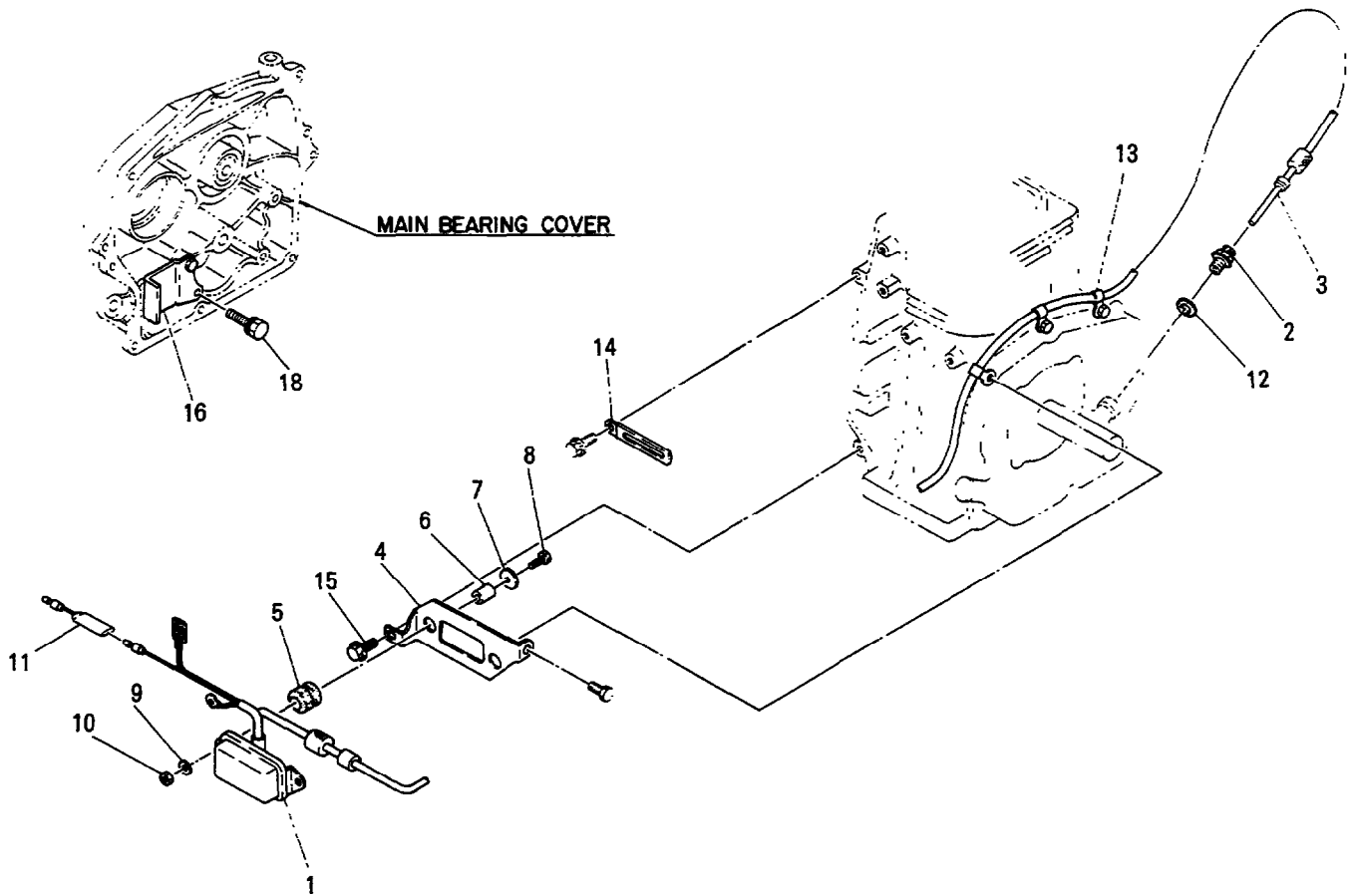


Ref No.	Description	Part Number	Q'ty	Interchangeability		Ref No.	Description	Part Number	Q'ty	Interchangeability	
				Execution	Execution					Execution	Execution
1	OIL LEVEL SENSOR, complete	224 76201 01	1			19	OIL FILLER, complete	209 65201 01	1		
2	JOINT, oil sensor	224 76061 03	1			20	GASKET, aluminium	003 70220 00	1		
2	JOINT, oil sensor	213 76061 03	1								
3	SPACER, oil sensor	224 76081 03	1								
3	SPACER, oil sensor	213 76081 03	1								
4	BRACKET, oil sensor	224 77104 01	1								
5	GROMMET, fuel pump	964 21080 20	2								
6	SPACER	023 00601 80	2								
6	SPACER	023 00601 60	2								
7	WASHER	020 00800 50	2								
8	BOLT	001 65063 00	2								
9	SPRING WASHER	003 20060 00	2								
10	NUT	002 17060 00	2								
11	WIRE 13, complete (Color: RED)	224 73113 01	1								
12	WIRE 14, complete (Color: RED-WHITE)	224 73114 01	1								
13	GASKET	021 32000 10	2								
14	CLAMP	056 60002 50	1								
15	CLAMP	056 60001 70	1								
16	CLAMP, complete	206 75501 01	1								
17	FLANGE BOLT	011 00600 20	1								
18	OIL GAUGE, complete	224 63611 01	1								

When ordering parts: Always give the Model, Specification and Serial Number of Generator.

Fig.OP 3 OIL SENSOR (AFTER '85)

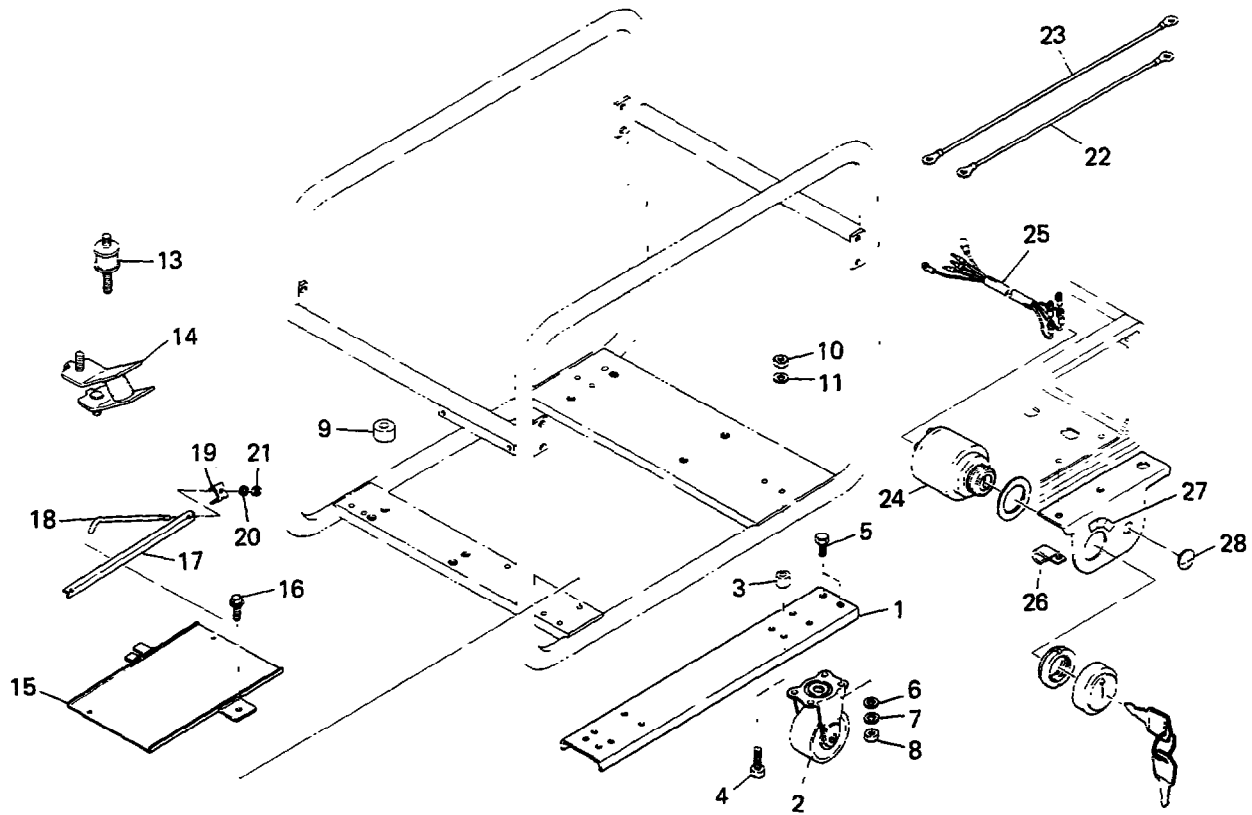
OPTIONAL PARTS



Ref No.	Description	Part Number	Q'ty	Interchangeability		Ref No.	Description	Part Number	Q'ty	Interchangeability	
				Execution	Execution					Execution	Execution
* 1	OIL LEVEL SENSOR, complete Includes item 3	224 76202 01	1								
2	JOINT, oil sensor	224 76062 01	1								
4	BRACKET, oil sensor	224 77104 01	1								
5	GROMMET	964 21080 20	2								
6	SPACER	023 00601 80	2								
7	WASHER	020 00800 50	2								
8	BOLT	001 65063 00	2								
9	SPRING WASHER	003 20060 00	2								
10	NUT	002 17060 00	2								
11	WIRE 13, complete	224 73113 01	1								
12	GASKET	021 32000 10	1								
13	CLAMP	056 60001 70	3								
14	CLAMP	056 60002 50	1								
15	FLANGE BOLT	011 00600 20	1								
16	OIL GUIDE PLATE	224 76302 03	1								
18	BOLT and WASHER ASSEMBLY	001 13081 60	2								

When ordering parts: Always give the Model, Specification and Serial Number of Generator.

Fig.OP 4 ELECTRIC STARTER and CASTER (GENERATOR PARTS)
OPTIONAL PARTS

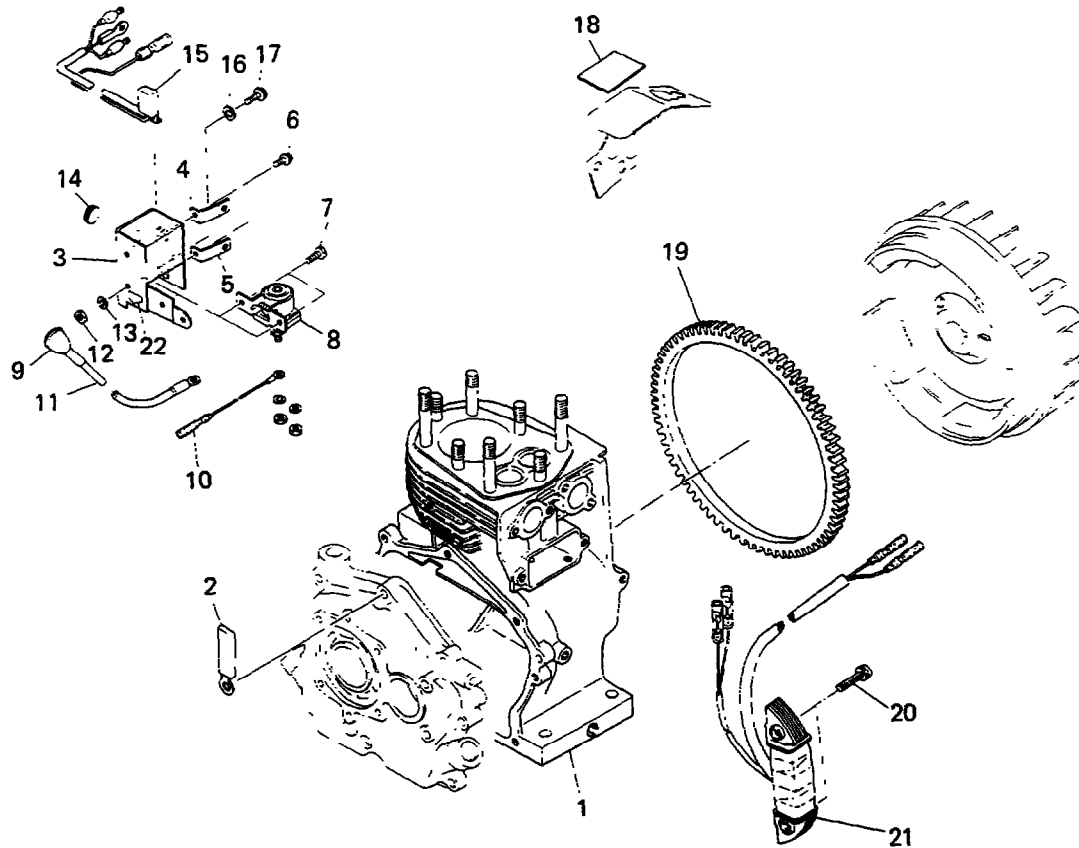


Interchangeability				Interchangeability					
Ref No.	Description	Part Number	Q'ty	Execution	Ref No.	Description	Part Number	Q'ty	Execution
CASTER SPEC.					22	BATTERY CORD (-)	353 54323 08	1	
1	CASTER BASE	353 54325 08	2		23	WIRE 12, complete	224 73111 01	1	
2	CASTER	353 54326 08	4		24	SWITCH	066 00001 11	1	
3	SPACER	353 57039 08	4		25	WIRE, complete	353 47224 08	1	
4	BOLT	001 66084 00	4		26	CLAMP	344 54305 08	1	
5	BOLT	001 66061 50	16		27	LABEL, starter switch	073 20010 90	1	
6	WASHER	003 10060 00	16		28	GROMMET For without econo-throttle	356 47501 08	1	
7	SPRING WASHER	003 20060 00	16		For the generator equipped with electric starter and caster use rubber vibration isolator for caster.				
8	NUT	002 17060 00	16						
9	SPACER	353 57031 08	2						
10	NUT	002 17080 00	4						
11	SPRING WASHER	003 20080 00	4						
13	RUBBER VIBRATION ISOLATOR	353 57033 08	2						
14	RUBBER VIBRATION ISOLATOR	352 57042 08	4						
ELECTRIC STARTER SPEC.									
15	BATTERY BASE	353 54809 08	1						
16	BOLT	353 59942 08	2						
17	BATTERY STAY	353 54324 08	1						
18	BATTERY BOLT	353 59921 08	2						
19	SPACER	353 54322 08	2						
20	SPRING WASHER	003 20060 00	2						
21	NUT	002 17060 00	2						

When ordering parts: Always give the Model, Specification and Serial Number of Generator.

Fig.OP5 ELECTRIC STARTER (ENGINE PARTS)

OPTIONAL PARTS

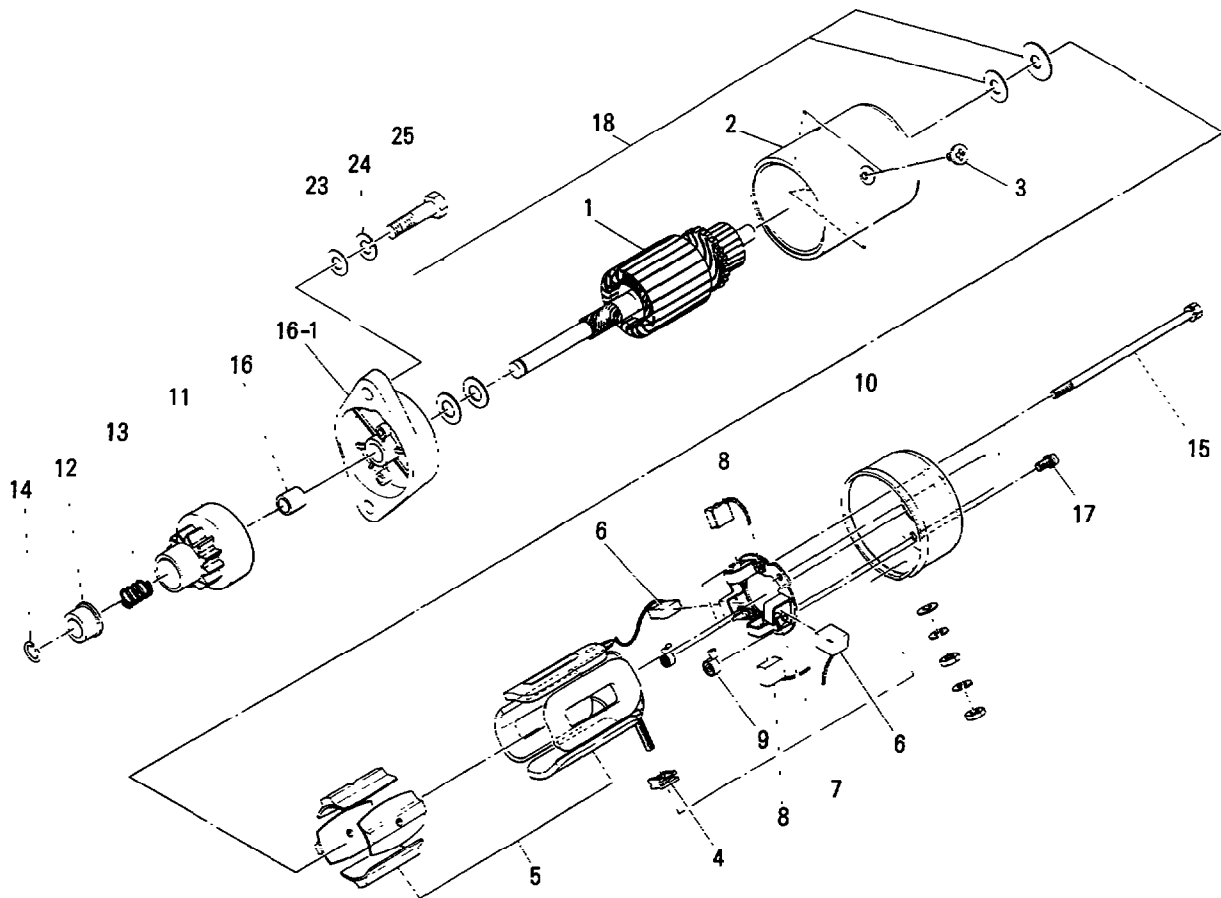


Interchangeability					Interchangeability				
Ref No.	Description	Part Number	Q'ty	Execution	Ref No.	Description	Part Number	Q'ty	Execution
1	CRANKCASE, complete (Please refer to Fig. 5 : Includes items 2 thru 4, 6 thru 8, 10 and 11)	224 10210 01	1		20	SCREW and WASHER ASSEMBLY	004 35062 00	2	
2	CLAMP, complete	214 79003 01	1		21	EXCITOR COIL	224 70138 08	1	
3	CONTROL BOX, complete	224 75110 01	1						
4	BRACKET 1	224 75401 01	1						
5	BRACKET 2	224 75402 01	1						
6	FLANGE BOLT	011 00600 10	2						
7	BOLT	001 65051 20	2						
8	MAGNETIC SWITCH	214 77001 10	1						
9	WIRE CASING	214 78501 03	1						
10	WIRE 9, complete	224 73108 11	1						
10	WIRE 9, complete	224 73108 01	1						
11	WIRE 1, complete	214 73101 11	1						
12	NUT	002 17050 00	2						
13	SPRING WASHER	003 20050 00	2						
14	GROMMET	024 12000 10	1						
15	DIODE RECTIFIER, complete	217 71401 01	1						
16	SPRING WASHER	003 20060 00	1						
17	SCREW, panhead	004 31061 20	1						
18	LABEL, blind	073 20021 50	1						
19	RING GEAR	224 71002 03	1						

When ordering parts: Always give the Model, Specification and Serial Number of Generator.

Fig.OP6 STARTING MOTOR

OPTIONAL PARTS

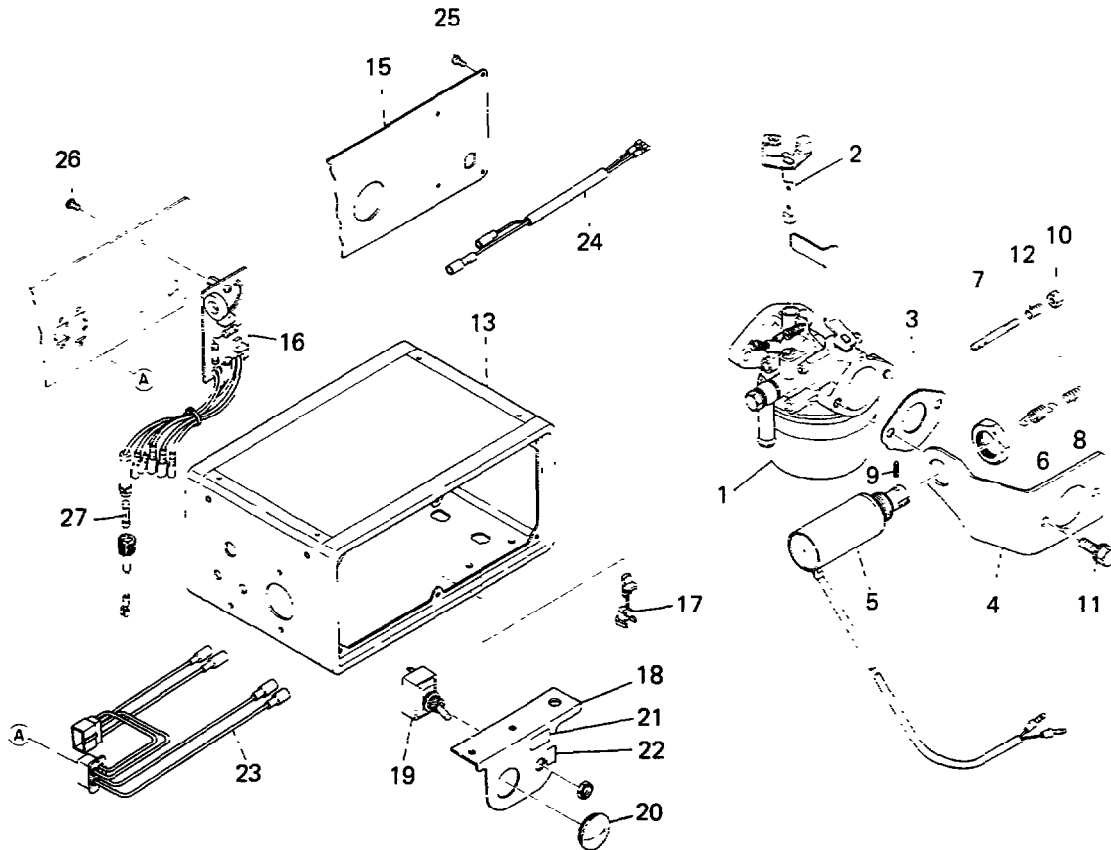


Interchangeability					Interchangeability				
Ref No.	Description	Part Number	Q'ty	Execution	Ref No.	Description	Part Number	Q'ty	Execution
* 1	STARTING MOTOR ASSEMBLY Includes items 2 thru 22	214 70502	10	1	18	WASHER KIT	214 70555	08	1
* 1	STARTING MOTOR ASSEMBLY Includes items 2 thru 22	214 70502	00	1	23	WASHER	003 10080	00	2
6	BRUSH (+)	214 70535	08	2	24	SPRING WASHER	003 20080	00	2
6	BRUSH (+)	113 70535	08	2	25	BOLT, starter	214 79001	01	2
7	BRUSH HOLDER ASSEMBLY Includes items 8 and 9	214 70530	08	1					
7	BRUSH HOLDER ASSEMBLY Includes items 8 and 9	113 70530	08	1					
8	BRUSH (-)	214 70540	08	2					
8	BRUSH (-)	113 70540	08	2					
9	BRUSH SPRING	113 70545	08	4					
10	REAR COVER ASSEMBLY	113 70505	08	1					
11	PINION ASSEMBLY	214 70559	08	1					
12	PINION STOPPER	214 70551	08	1					
13	RETURN SPRING	214 70554	08	1					
14	CRIP	214 70552	08	1					
15	BOLT	210 70527	08	2					
16-1	FRONT COVER ASSEMBLY	214 70501	08	1					
16	FRONT METAL	214 70560	08	1					
17	SCREW	004 31041	20	2					

When ordering parts: Always give the Model, Specification and Serial Number of Generator.

Fig.OP 7 ECONO-THROTTLE

OPTIONAL PARTS



Interchangeability					Interchangeability				
Ref No.	Description	Part Number	Q'ty	Execution	Ref No.	Description	Part Number	Q'ty	Execution
1	CARBURETOR ASSEMBLY	224 62311 00	1		17	CORD BUSH	363 56000 08	2	
2	SHAFT ASSEMBLY, throttle	224 62533 08	1		18	STRAINER BRACKET	353 47510 08	1	
3	PACKING	207 32721 08	1		19	SWITCH ASSEMBLY	344 45615 08	1	
4	BRACKET, solenoid	224 77103 03	1		20	GROMMET For without electric starter	024 12000 10	1	
5	SOLENOID, complete (48V)	224 76506 01	1		21	LABEL, econo throttle	353 49059 08	1	
6	SPRING, solenoid	224 77210 11	1		22	LABEL, on → off	353 49060 08	1	
7	ROD, adjust	224 77209 01	1		23	CONNECTOR, complete For 110V, 120V 110V/220V, 120V/240V	353 47206 08	1	
8	SPRING 1	224 77211 01	1		23	CONNECTOR, complete For 220V, 230V, 240V	353 47225 08	1	
9	SPRING PIN	005 19031 02	1		24	WIRE, complete	353 47207 08	1	
10	NUT	002 17040 00	1		25	SCREW	353 49904 08	6	
11	BOLT and WASHER ASSEMBLY	001 10061 60	2		26	SCREW and WASHER ASSEMBLY	004 35041 00	2	
12	SPRING 2	224 77212 01	1		27	FUSE (0.3A)	353 45511 08	1	
13	CONTROL BOX For RGX 505	355 43016 18	1						
13	CONTROL BOX For RGX 505D	355 43015 18	1						
13	CONTROL BOX For RGX 505D For U.S.A. and CANADA	355 43041 08	1						
15	PANEL B	355 43513 18	1						
16	ECONO THROTTLE UNIT For 110V, 120V, 110V/220V, 120V/240V	353 30601 08	1						
16	ECONO THROTTLE UNIT For 220V, 230V, 240V	353 30602 08	1						

When ordering parts: Always give the Model, Specification and Serial Number of Generator.

 **FUJI HEAVY INDUSTRIES LTD.**

INDUSTRIAL PRODUCTS DIV.

2ND Subaru Bldg.

1-1, Choume, Miyahara-cho,
Omiya-shi, Saitama 330-0038, Japan

PHONE ; (Omiya 48) 653-5811

FACSIMILE ; (Omiya 48) 653-5691