

# Operator-Parts List Manual

Manuel de l'opérateur – Liste de pièces

Manual del operador – Lista de piezas

## Vantage Series – ELECTRIC GENERATOR

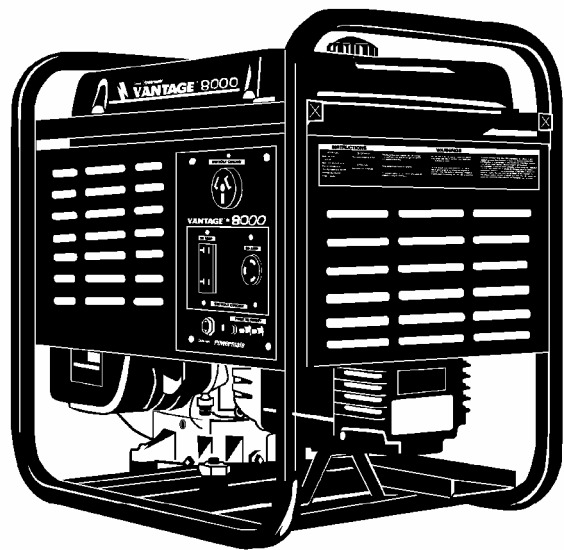
## Vantage Series – GÈNÈRATRICE ÉLECTRIQUE

## Vantage Series – GENERADOR ELECTRICO

**IMPORTANT** – Please make certain that persons who are to use this equipment thoroughly read and understand these instructions prior to operation.

**IMPORTANT** – Veiller à ce que toute personne amenée à utiliser cet appareil lise soigneusement ces instructions et les comprenne avant de procéder à son utilisation.

**IMPORTANTE** – Favor de cerciorarse de que toda persona que use el generador Coleman Powermate lea y entienda todas las instrucciones antes de la operación.



Record the model and serial numbers of your Generator below:  
Model No. \_\_\_\_\_ Serial No. \_\_\_\_\_

Inscrivez les numéros de modèle et de série du gènèratrice:  
# modèle \_\_\_\_\_ # de série \_\_\_\_\_

Tome nota de los números de serie y de modelo de su generador  
enseguida:  
No. de modelo \_\_\_\_\_ No. de serie \_\_\_\_\_

# **Coleman** **Powermate**<sup>®</sup>

## HELPLINE 1-800-445-1805

## TABLE OF CONTENTS

Safety and operation rules . . . . .	3	Infrequent service . . . . .	8
Spark arresting muffler . . . . .	4	Long term storage . . . . .	8
Determining total wattage . . . . .	4	Installation . . . . .	8
Operating voltage . . . . .	4	Electric start wiring . . . . .	8
Before operation . . . . .	5	Wiring diagram (Key switch on engine) . . . . .	9
Grounding the generator . . . . .	5	Wiring diagram (Key switch on panel) . . . . .	9
Lubrication . . . . .	5	Idle control operation . . . . .	10
Fuel . . . . .	5	Idle control trouble shooting . . . . .	10
Pre-start preparation . . . . .	5	Maintenance . . . . .	11
Starting the engine . . . . .	5	Brushes . . . . .	11
Break-in procedure . . . . .	5	Inspecting the brushes . . . . .	11
Shutting the generator off . . . . .	5	Exciting the generator . . . . .	11
Power cord connection . . . . .	5	Heat shield . . . . .	11
Applying load . . . . .	6	Engine carburetor icing . . . . .	11
Major features . . . . .	6	Customer service information . . . . .	11
Circuit protection . . . . .	7	Limited warranty . . . . .	12
DC features . . . . .	7	Parts list . . . . .	35
DC circuit breaker . . . . .	8	Parts drawing . . . . .	44
Low oil shutdown . . . . .	8		

## TABLE DES MATIÈRES

Règles d'opération et de sécurité . . . . .	13	Usage peu fréquent . . . . .	18
Silencieux pare-étincelles . . . . .	14	Remisage à long terme . . . . .	18
Détermination de la puissance totale nécessaire . . . . .	14	Installation . . . . .	19
Vérifier la tension . . . . .	15	Câblage du démarreur électrique . . . . .	19
Avant de mettre en marche . . . . .	15	Diagramme de câblage de base . . . . .	20
Mise à la terre de la génératrice . . . . .	15	Fonctionnement de la commande du ralenti . . . . .	21
Lubrification . . . . .	15	Dépannage de la commande du ralenti . . . . .	21
Carburant . . . . .	15	Entretien . . . . .	22
Préparatifs au démarrage . . . . .	15	Génératrice balais . . . . .	22
Démarrage du moteur . . . . .	15	Inspection des balais . . . . .	22
Rodage . . . . .	16	Excitation de la génératrice . . . . .	22
Arrêt de la génératrice . . . . .	16	Écran de chaleur . . . . .	22
Connexions du cordon d'alimentation . . . . .	16	Moteur givrage du carburateur . . . . .	22
Branchement des appareils . . . . .	16	Service clients . . . . .	22
Caracteristiques principales . . . . .	16	Garantie limitée . . . . .	23
Protection des circuits . . . . .	18	Liste des composants . . . . .	38
DC features . . . . .	18	Diagramme des pièces . . . . .	44
Disjoncteur de circuit à courant continu . . . . .	18		
Niveau d'huile bas . . . . .	18		

## INDICE

Reglas de seguridad y de funcionamiento . . . . .	24	Servicio poco frecuente . . . . .	29
Silenciador apagachispas . . . . .	25	Almacenamiento a largo plazo . . . . .	29
Como determinar el vatiaje total . . . . .	25	Instalación . . . . .	30
El requerimiento de voltaje . . . . .	26	Cableado de arranque electrico . . . . .	30
Antes de la operación . . . . .	26	Diagrama de cableado basico . . . . .	31
Puesta a tierra del generador . . . . .	26	Funcionamiento de control en vacio . . . . .	32
Lubrificación . . . . .	26	Deteccion de fallos de control en vacio . . . . .	32
Combustible . . . . .	26	Mantenimiento . . . . .	33
Preparacion antes de arrancar . . . . .	26	Generador escobillas . . . . .	33
Arranque del motor . . . . .	26	Para revisar las escobillas . . . . .	33
Procedimiento de arranque inicial . . . . .	27	Excitación del generador . . . . .	33
Apagado del generador . . . . .	27	Escudo de calor . . . . .	33
Conexiones del cable . . . . .	27	Motor congelamiento del carburador . . . . .	33
Cómo aplicar una carga . . . . .	27	Service para los clientes . . . . .	33
Características principales . . . . .	27	Garantía limitada . . . . .	34
Protección del circuito características CA . . . . .	29	Lista de componentes . . . . .	41
Características CC . . . . .	29	Dibujos de las partes . . . . .	44
Cortacircuitos de CC . . . . .	29		
Detencion por poca cantidad de aceite . . . . .	29		

## SAFETY AND OPERATION RULES

Safety precautions are essential when any mechanical equipment is involved. These precautions are necessary when using, storing, and servicing mechanical equipment. Using this equipment with the respect and caution demanded will considerably lessen the possibilities of personal injury. If safety precautions are overlooked or ignored, personal injury or property damage may occur.

The following symbols shown below are used extensively throughout this manual. Always heed these precautions, as they are essential when using any mechanical equipment.



This warning symbol identifies specific instructions or procedures which if not correctly followed could result in personal injury or death.



This caution symbol identifies specific instructions or procedures which, if not strictly observed, could result in damage to, or destruction of equipment.

This unit was designed for specific applications. It should **not** be modified and/or used for any application other than which it was designed. If there are any questions regarding its application, *write or call* Customer Service at 1-800-445-1805.



When using this product basic precautions should always be followed, including the following:

1. Read this manual carefully - **know your equipment**. Consider the applications, limitations, and the potential hazards specific to your unit.
2. Equipment must be placed on a firm, supporting surface.
3. Load must be kept within rating stated on generator nameplate. Overloading will damage the unit or shorten its life.
4. Engine must not be run at excessive speeds. Operating an engine at excessive speeds increases the hazard of personal injury. **Do not tamper with parts which may increase or decrease the governed speed.**
5. To prevent accidental starting, always remove the spark plug or cable from the spark plug before adjusting the generator or engine.
6. Units with broken or missing parts, or without protective housing or covers, should never be operated. Contact your service center for replacement parts.
7. Units should not be operated or stored in wet or damp conditions or on highly conductive locations such as metal decking and steel work. **Always use rubber gloves and boots, and a ground fault current interrupter if these conditions may be present during use.**

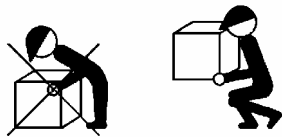


8. Keep the generator clean and free of oil, mud and other foreign matter.
9. Extension cords, power cords, and all electrical equipment must be in good condition. Never operate electrical equipment with damaged or defective cords.
10. Store the generator in a well ventilated area with the fuel tank empty. Fuel should not be stored near the generator.
11. Your generator should never be operated under these conditions:
  - a. Change in engine speed.
  - b. Electrical output loss.
  - c. Overheating in connected equipment.
  - d. Sparking.
  - e. Damaged receptacles.
  - f. Engine misfire.
  - g. Excessive vibration.
  - h. Flame or smoke.
  - i. Enclosed compartment.
  - j. Rain or inclement weather.
12. Check the fuel system periodically for leaks or signs of deterioration such as chafed or spongy hose, loose or missing clamps, or damaged tank or cap. All defects should be corrected before operation.
13. The generator should be operated, serviced, and refueled only under the following conditions:
  - a. Good ventilation - avoid areas where vapors may be trapped such as pits, basements, cellars, excavations, and boat bilges. Air flow and temperatures are important for air cooled units. Temperatures should not exceed 100 degrees F (40 degrees C).
  - b. Dangerous exhaust gases should be piped from enclosed areas. The engine exhaust contains carbon monoxide, a poisonous, odorless, invisible gas which, if breathed, causes serious illness and possible death.
  - c. Refuel the generator in a well lighted area. Avoid fuel spills and never refuel while the generator is running. Allow engine to cool for two minutes prior to refueling.
  - d. Do not refuel near open flames, pilot lights, or sparking electrical equipment such as power tools, welders, and grinders.
  - e. The muffler and air cleaner must be installed and in good condition at all times as they function as flame arresters if backfiring occurs.
  - f. Do not smoke near the generator.





14. Do not wear loose clothing, jewelry, or anything that may be caught in the starter or other rotating parts.
15. Unit must reach operating speed before electrical loads are connected. Disconnect loads before turning off engine.
16. To prevent surging that may possibly damage equipment, **do not allow engine to run out of fuel when electrical loads are applied.**
17. **When powering solid state equipment, a Power Line Conditioner should be used to avoid possible damage to equipment. (See Caution Statement on this page.)**
18. Do not stick anything through ventilating slots, even when the generator is not operating. This can damage the generator or cause personal injury.
19. Before transporting the generator in a vehicle, drain all fuel to prevent leakage that may occur.
20. Use proper lifting techniques when transporting the generator from site to site. Improper lifting techniques may result in personal injury.



21. To avoid burns, **do not** touch engine muffler or other engine or generator surfaces which became hot during operation.

#### SPARK ARRESTING MUFFLER

THIS PRODUCT IS NOT EQUIPPED WITH A SPARK ARRESTING MUFFLER. If the product will be used around flammable materials, such as agricultural crops, forests, brush, grass, or other similar items, then an approved spark arrester should be installed and is legally required in the State of California. The California statutes requiring a spark arrester are Sections 13005(b), 4442 and 4443. Spark Arresters are also required on some U.S. Forest Service land and may also be legally required under other statutes and ordinances. An approved spark arrester is available from your Coleman Powermate dealer, or may be ordered from Coleman Powermate, Inc., P.O. Box 6001, Kearney, Nebraska 68848. 1-800-445-1805.

## DETERMINING TOTAL WATTAGE

In order to prevent overloading and possible damage to your generator it is necessary to know the total wattage of the connected load. To determine which tools and/or appliances your generator will run follow these steps:

1. Determine if you want to run one item or multiple items simultaneously.
2. Check start and run wattage requirements for the items you will be running by referring to the load's nameplate or by calculating it (multiply amps x volts = watts).
3. Total the start and run watts for each item. If the nameplate only gives volts and amps, multiply volts x amps = watts. **1 KW = 1,000 watts.**

**NOTE: Allow 2 1/2 to 4 times the listed wattage for starting equipment.**

4. The generator's start/surge and run/rated watts should match or exceed the total number of watts required for the equipment you want to run.
5. Always connect the heaviest load to the generator first, then add other items one at a time.
6. Motorized appliances or tools require more than their rated wattage for start up.

## OPERATING VOLTAGE

**CAUTION: Operating voltage and frequency requirement of all electronic equipment should be checked prior to plugging them into this generator. Damage may result if the equipment is not designed to operate within a +/- 10% voltage variation, and +/- 3 hz frequency variation from the generator name plate ratings. To avoid damage, always have an additional load plugged into the generator if solid state equipment (such as a television set) is used. A power line conditioner may also be necessary for some solid state applications.**



**CAUTION**

Typical example of solid state equipment include:

- Garage door openers
- Kitchen appliances with digital displays
- Televisions
- Stereos
- Personal computers
- Quartz clocks
- Copy machines
- Telephone equipment

For more information, contact our Customer Service Department at 1-800-445-1805.

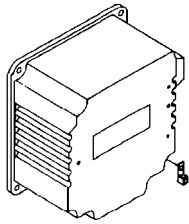
## BEFORE OPERATION

### GROUNDING THE GENERATOR

Make sure that the generator is grounded to help prevent accidental shock. A ground lug has been provided for this purpose. Connect a length of heavy gauge wire between the generator lug and an external ground source, such as a water pipe or copper rod driven into the ground.



**WARNING:** Do not use a pipe carrying combustible material as the ground source.



Ground Lug

### LUBRICATION

**DO NOT** attempt to start this engine without filling the crank case with the proper amount and type of oil. (See the accompanying engine manual for this information.) Your generator has been shipped from the factory without oil in the crankcase. Operating the unit without oil can damage the engine.

### FUEL

Fill the tank with clean, fresh unleaded automotive gasoline. Regular grade gasoline may be used provided a high octane rating is obtained (at least 85 pump octane).



**CAUTION:** Do not overfill the tank. Keep maximum fuel level 1/4 inch below the top of the fuel tank. This will allow expansion in hot weather and prevent overflow.



**WARNING:** Gasoline is very dangerous. Serious injury may result from fire caused by gasoline contacting hot surfaces.

1. Do not fill fuel tank with engine running.
2. Do not spill fuel while refilling tank.
3. Do not mix oil with gasoline.

### PRE-START PREPARATION

Before starting the generator, check for loose or missing parts and for any damage which may have occurred during shipment.



**WARNING:** This generator must not be operated without all factory installed heat shields in place. Failure to comply may cause the fuel tank to overheat and result in personal injury from fire.

### STARTING THE ENGINE

1. Check oil level and fuel.
2. Disconnect all electrical loads from the unit.
3. Open fuel shut off valve.
4. Adjust choke as necessary.
5. Set the engine switch to the "ON" position.
6. Pull on the starter rope with fast steady pull. As the engine warms up, readjust the choke. On electric start models, turn the key switch to "START". Release key switch after the engine starts.



**WARNING:** Provide adequate ventilation for toxic exhaust gases and cooling air flow.

### BREAK-IN PROCEDURE

Controlled break-in helps insure proper engine and generator operation. Follow engine procedure outlined in engine manual.



**CAUTION:** Do not apply heavy electrical load during break-in period (the first two to three hours of operations).



**CAUTION:** Allow generator to run at no load for five minutes upon each initial start-up to permit engine and generator to stabilize.

### SHUTTING THE GENERATOR OFF

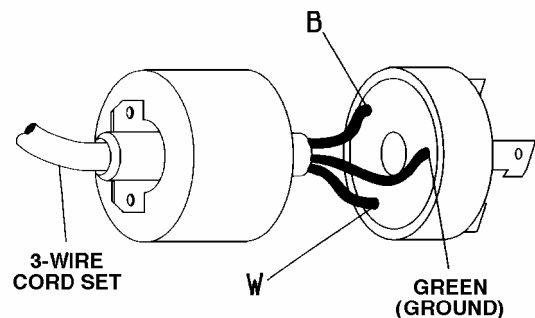
1. Remove entire electrical load.
2. Let the engine run for a few minutes without load.
3. Move the engine switch to the "OFF" position. (Turn the key switch to "OFF" on the electric start models.)
4. Do not leave the generator until it has completely stopped.
5. Close the fuel shut off valve if the engine is to be put in storage or transported.
6. If cover is used, do not install until unit has cooled.

### POWER CORD CONNECTIONS

Refer to the appropriate diagram for proper connection of power cord wires to the plug terminals.

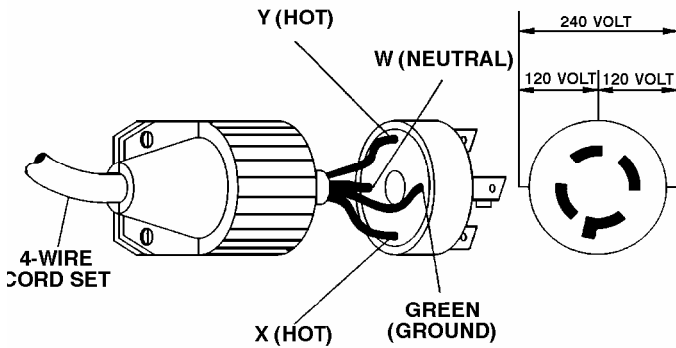


**CAUTION:** Insure that the power cord used is well insulated and has a sufficient rating to match that of the plug.

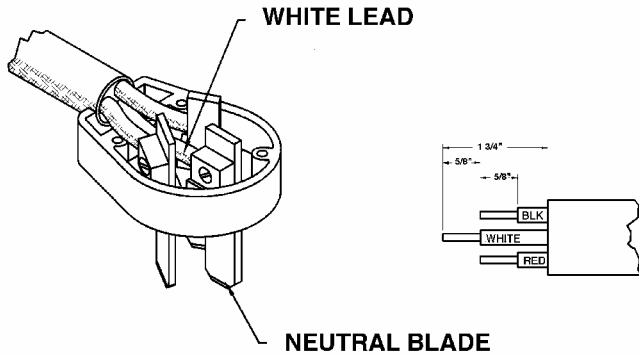


120 Volts, 30 Ampere Plug

## MAJOR FEATURES



120/240 Volts, 20 Ampere and 30 Ampere Plug



240 Volts, 50 Ampere Plug

### APPLYING LOAD

This unit has been pretested and adjusted to handle its full capacity. When starting the generator, disconnect all load. Apply load only after generator is running. Voltage is regulated via the engine speed adjusted at the factory for correct output. Readjusting is not advised.



**CAUTION:** When applying a load, do not exceed the maximum wattage rating of the generator when using one or more receptacles. Also, do not exceed the amperage rating of any one receptacle.

### A. 120 V, 15 or 20 Ampere Duplex Receptacle

This duplex is split (except on the 7000 watt units) so that 15/20 amps of current may be drawn from each half of the receptacle. However, total power drawn must be kept within nameplate ratings. These receptacles may be used along with the twistlock receptacle provided the generator is not overloaded.

### B. 120 V, 30 Ampere Twistlock Receptacle

You may draw a maximum of 30 amps or 3600 watts from this receptacle. If other receptacles are used at the same time, total power used must be kept within nameplate ratings.

### C. 120/240 V, 20 Ampere Twistlock Receptacle

A maximum of 20 amps may be drawn from the 120/240 volt receptacle, provided it is the only receptacle used. However, current must be limited to the nameplate rating. If the 120/240 volt receptacle is used along with the 120 volt receptacle, the total load drawn must not exceed the nameplate ratings.

### D. Circuit Breakers

The receptacles are protected by an AC circuit breaker. (See Circuit Protection).

### E. Idle Control Switch

Some models are equipped with an idle control switch. (See Idle Control).

### F. 120/240 V 30 Amp Twistlock Receptacle

A maximum of 30 amps may be drawn from the 120/240 volt receptacle, provided it is the only receptacle used. However, current must be limited to the nameplate rating. If the 120/240 volt receptacle is used along with the 120 volt receptacle, the total load drawn must not exceed the nameplate ratings.

### H. DC Receptacle 12 V, 15 Ampere

Some models are equipped with a battery charger. (See DC Features).

### I. 120 Volt GFCI Receptacle

Ground Fault Circuit Interrupter duplex receptacle is rated so that a total of 20 amps may be drawn regardless of whether both halves or just one receptacle is used. This receptacle may be used along with the other receptacles provided the generator is not overloaded and total power drawn is kept within nameplate ratings.

#### Ground Fault Circuit Interrupter

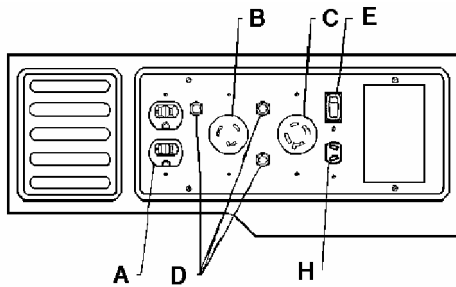
(Conforms to U.L. 943, Class A and NEC requirements)

This device protects you against hazardous electrical shock that may be caused if your body becomes a path through which electricity travels to reach ground. This could happen when you touch an appliance or cord that is "live" through faulty mechanism, damp or worn insulation, etc.

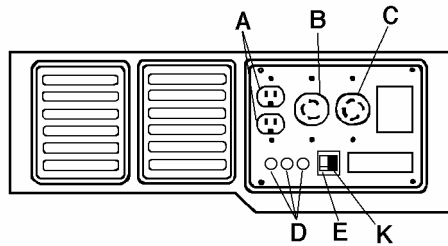
### J. 240 Volt Heavy Duty Receptacle

This receptacle is rated at 50 amps but the current must be limited to the nameplate rating. If this receptacle is used along with the 120 volt receptacles, the total load drawn must not exceed the nameplate ratings.

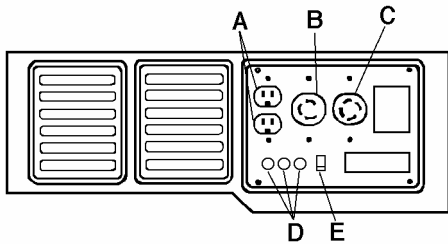
### K. Engine Start/Stop Switch



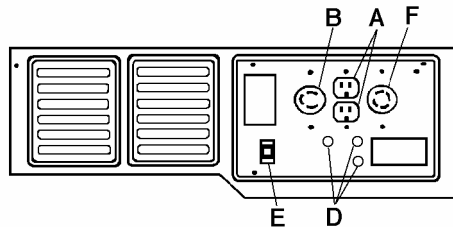
PM0473503, PL0473503 & PC0473503 Control Panel



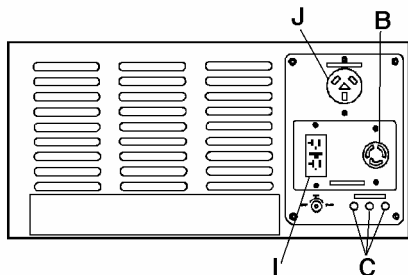
PM0474203 Control Panel



PM0475003 & PC0475003 Control Panel



PM0477022, PM0477023 & PC0477023 Control Panel



PM0478022 Control Panel

## CIRCUIT PROTECTION

### AC FEATURES

The receptacles are protected by an AC circuit breaker. If the generator is overloaded or an external short circuit occurs, the circuit breaker will trip. If this occurs, disconnect all electrical loads and try to determine the cause of the problem before attempting to use the generator again. If overloading causes the circuit breaker to trip, reduce the load. **NOTE: Continuous tripping of the circuit breaker may cause damage to generator or equipment.** The circuit breaker may be reset by pushing the button of the breaker.

### DC FEATURES (Models PM0473503, PL0473503 & PC0473503 Only) Battery Charger

This generator contains a circuit used for battery charging purposes. A two-prong DC receptacle is provided for this feature. A battery charging cable equipped with a matching plug for this receptacle has been supplied with the unit.

The battery charger on the generator is referred to as an unregulated taper charger, the most widely used in the market today. The amount of current flowing will depend on the charging voltage and battery's state of charge. As the on-charge output current to the battery decreases, the output current to the battery increases and nearly becomes constant. Taper chargers are intended to be used with the provision that they will be disconnected from the battery after maximum time on charge. Normally a period of 30 to 120 minutes is sufficient to recharge a weak battery.



**CAUTION:** This battery charging system is intended to recharge weak batteries, not to "boost start" vehicles.

**CAUTION**

**NOTE:** When the battery charger circuit is in use, the AC capacity is reduced by 180 watts. Make sure the combined load is within the rated limits.

Before charging a storage battery, check the electrolyte fluid level in all the cells. (Sealed batteries do not require checking). Add distilled water to each cell, if necessary, to bring the level back up to the manufacturer's required level.



**WARNING:** Storage batteries give off **EXPLOSIVE** hydrogen gas while charging. Do not allow smoking, open flames, sparks, or spark producing equipment in the area while charging.

Connect the red clip to the positive terminal of the battery. Connect the black clip to the negative terminal of the battery. Insert the DC plug into the DC receptacle to the generator. After the battery is fully charged remove the battery charging cable from the generator and then disconnect from the battery posts.



**WARNING:** Battery electrolyte fluid is compressed of sulfuric acid that can be very dangerous and cause severe burns. Do not allow this fluid to contact eyes, skin, clothing, etc. If contact or spillage does occur, flush the area with water immediately.

## DC CIRCUIT BREAKER

The maximum current available from the battery charger circuit is 15 amps. An automatic DC circuit breaker has been provided to protect the circuit from overloads and assure that the battery gets recharged. If an overload occurs, the circuit breaker will trip. After it cools, it will automatically reset itself. The battery's maximum rate of charge will eventually reduce to less than 15 amps and then to zero as the battery approaches a 100 percent state of charge.

## LOW OIL SHUTDOWN

Some units are equipped with low oil shutdown. If the oil level becomes lower than required, the generator set will automatically shut off. This protects your generator set from operating without proper lubrication.

If generator shuts off and the oil level is according to specifications, check to see if generator is sitting at an angle that forces oil to shift. Place on an even surface to correct this. If engine fails to start, the oil level may not be sufficient to deactivate low oil level switch. Be sure the sump is completely full of oil.

**Note: On Models PM0477023 & PC0477023 you will have to crank the engine 1-2 seconds to build up enough pressure to open the shutdown switch.**

## INFREQUENT SERVICE

If the unit is used infrequently, difficult starting may result. To eliminate hard starting, run the generator at least 30 minutes every month. Also, if the unit will not be used for some time, it is a good idea to drain the fuel from the carburetor and gas tank.

## LONG TERM STORAGE

When the generator set is not being operated or is being stored more than one month, follow these instructions:

1. Replenish engine oil to upper level.
2. Drain gasoline from fuel tank, fuel line and carburetor.
3. Pour about one teaspoon of engine oil through the spark plug hole, pull the recoil starter several times and replace the plug. Then pull the starter until you feel the piston is on its compression stroke and leave it in that position. This closes both the intake and exhaust valves to prevent the inside of the cylinder from rusting.
4. Cover the unit and store in a clean, dry place that is well ventilated away from open flame or sparks.

**NOTE: The use of a fuel additive, such as STA-BIL<sup>®</sup>, or an equivalent, will minimize the formulation of fuel gum deposits during storage. Such an additive may be added to the gasoline in the fuel tank of the engine, or to the gasoline in a storage container.**

## INSTALLATION



**⚠ WARNING: To avoid possible personal injury or equipment damage, a registered electrician or an authorized service representative should perform installation and all service. Under no circumstances should an unqualified person attempt to wire into an utility circuit.**

To avoid backfeeding into utility systems, isolation of the residence electrical system is required.

Before temporary connection of the generator to the residence electrical system, turn off the main switch.

If your generator is to be used as a stand-by power source in case of utility power failure, it should be installed by a registered electrician and in compliance with all applicable local electrical codes.

Proper use requires that a double throw transfer switch be installed by a licensed qualified electrician so that the building's electrical circuits may be safely switched between utility power and the generator's output, thereby preventing backfeed into the power utility's electrical system.



**⚠ WARNING: To avoid backfeeding into utility systems, isolation of the residence electrical system is required. Before temporary connection of a generator to the residence electrical system turn off the main switch. Before making permanent connections a double throw transfer switch must be installed. To avoid electrocution or property damage, only a trained electrician should connect generator to residence electrical system. California law requires isolation of the residence electrical system before connecting a generator to residence electrical systems.**

## ELECTRIC START WIRING

**If your generator is equipped with electric start, refer to one of the wiring diagrams on the following page.**

### FIGURE A

An "Off-On-Start" rotary key switch is provided on the recoil end panel on some models. All necessary wiring is provided. The battery is customer provided. #8 AWG (American Wire Gauge) copper wire lead with ring terminals make battery hookup quite simple. Connect the lead hooked to the chassis to the negative (-) battery terminal and the lead from the starter solenoid to the positive (+) battery terminal with the appropriate bolts, lock washers and nuts. The orange wire connected to the solenoid and positive (+) battery terminal provides battery charging up to 16 amps.

Your engine may be equipped with a trickle charge system. The 14 AWG (American Wire Gauge) red wire which comes from the engine should be connected to the positive battery terminal (see engine operator manual).

### FIGURE B

An "Off-On-Start" rotary key switch is provided on the control panel on other models. All necessary wiring is provided. The battery is customer provided. #8 AWG (American Wire Gauge) copper wire lead with ring terminals make battery hookup quite simple. Connect the lead hooked to the chassis to the negative (-) battery terminal and the lead from the starter solenoid to the positive (+) battery terminal with the appropriate bolts, lock washers and nuts.



**⚠ WARNING: Batteries contain sulfuric acid (when filled). May contain explosive gasses. Always abide by safety warnings provided with the battery.**

- Keep sparks, flame and cigarettes away.
- Hydrogen gas is generated during charging and discharging.
- Always shield eyes, protect skin and clothing when working near batteries.



## BASIC WIRING DIAGRAM

### Electric Start Models (Models with Key Switch on Engine)

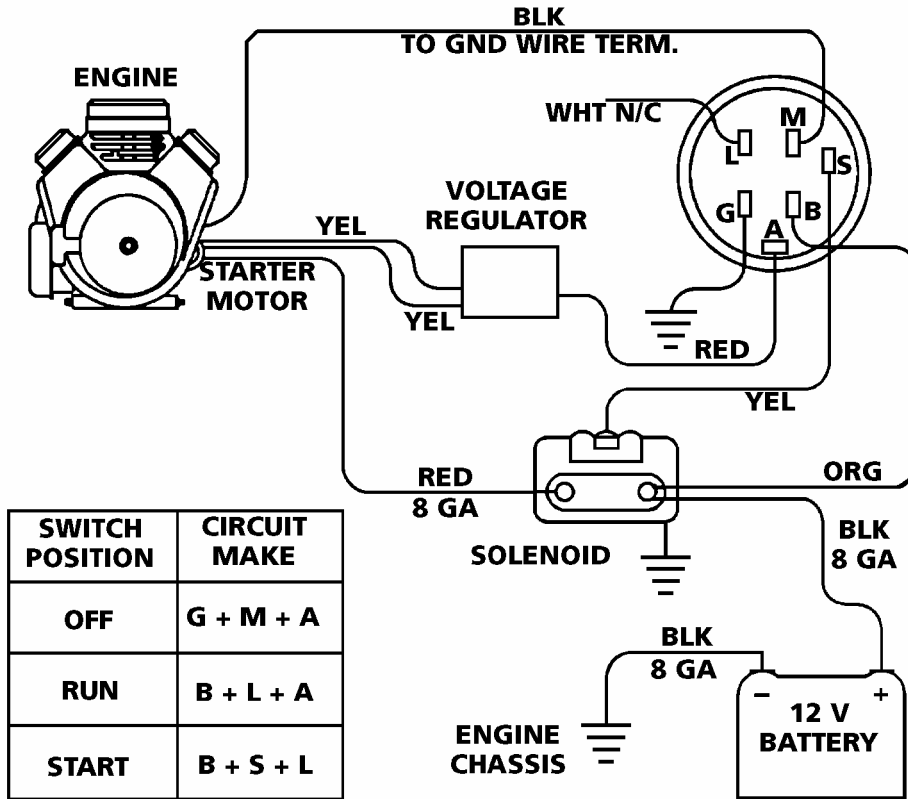


FIGURE A

## BASIC WIRING DIAGRAM

### Electric Start Models (Models with Key Switch on Panel)

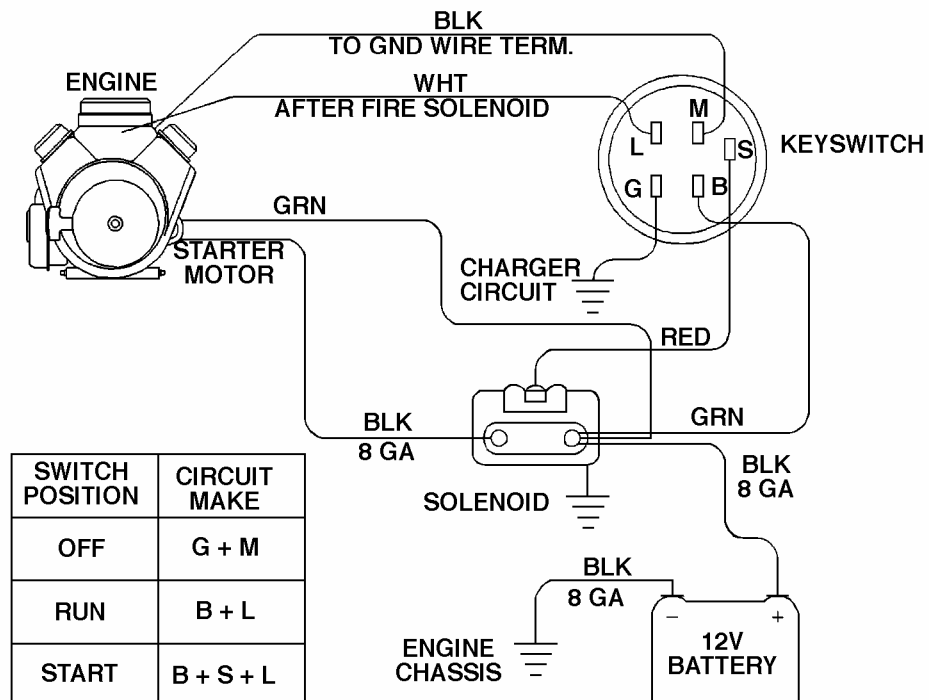


FIGURE B

## IDLE CONTROL OPERATION

The Idle Control circuit is designed to extend engine life and improve fuel usage by slowing the engine down to approximately 2000 RPM in a “No Load” condition. The noise is also greatly reduced during this condition.

When power is required from the generator an electronic control module automatically senses current flow in the electrical outlet and allows the engine to return to full speed or standard operating condition. Likewise, when the load is removed, the generator will automatically return to the idle condition after a 4-5 second delay.

A convenient switch is mounted in the control panel for easy access and will disable the Idle Control circuitry when in the off position.

### IDLE CONTROL TROUBLE SHOOTING

PROBLEM	POSSIBLE CAUSE	SOLUTION
<b>Unit will not idle</b>	Control panel switch not on	Turn to idle on position
	Load plugged into receptacle	Unplug load
	Poor connection or faulty cord	Check & repair
	Bad I.C. module; Bad electro-magnet or solenoids; Bad stator	Replace Consult dealer
<b>Unit idles even with load plugged in</b>	Load not heavy enough	Turn idle switch to off position
		Increase load
	Bad I.C. module	Replace
		Consult dealer
<b>Unit tries to idle but won't stay latched</b>	Electro-magnet or solenoid position incorrect	Reset magnet or solenoid position for 2000 RPM idle speed
		Consult dealer
	Flapper bracket loose or bent	Tighten or straighten
		Replace flapper. Readjust to 2000 RPM
	Engine not running smoothly	Adjust carburetor
		Consult dealer

## MAINTENANCE

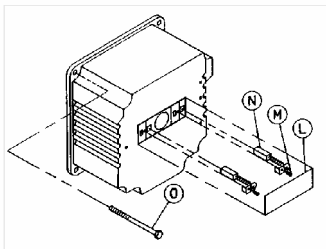
### GENERATOR: Brushes

The brushes in the generator should be inspected once every year for chips and cracks. Brushes should be replaced when they are worn to 1/4 inch (7mm).

**NOTE:** Replace brushes in sets only, never separately.

### INSPECTING THE BRUSHES:

1. Remove cover plate (L).
2. Remove 4 stator bolts (O) and endbell.
3. Disconnect the green (-) or blue (+) brush wires from the tab.
4. Remove brush mounting screws (M).
5. Slide brushes (N) from holders.
6. Replace if worn to 1/4 inch (7mm).
7. Do not over tighten screws.



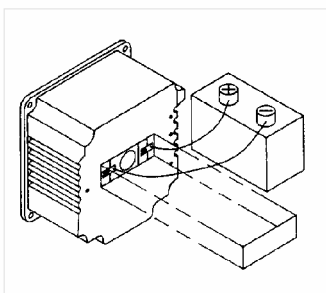
**NOTE:** Replace only with brushes specified in parts list. Other brushes may appear to be identical but may have completely different mechanical and electrical characteristics.

### EXCITING THE GENERATOR:

**NOTE:** If your generator is a brushless unit please contact your local service center or the Coleman Powermate Service Department for assistance with exciting your generator.

If there is a loss of residual magnetism (voltage will not build up), it may be necessary to re-excite the unit.

1. Use a 6-volt lantern battery (dry cell).
2. Remove the brush cover.
3. Start the engine with no load connected to the generator.
4. Attach the "-" lead of the battery to the negative brush. Very briefly, touch the "+" lead of the battery to the positive brush as shown. Remove as soon as voltage builds up. To measure voltage, use a plug-in voltmeter.



### HEAT SHIELD:

Inspect to ensure that all heat shields and heat deflectors are intact and in place.

### ENGINE: Carburetor Icing

During the winter months, rare atmospheric conditions may develop which will cause an icing condition in the carburetor. If this develops, the engine may run rough, loose power, and may stall. This temporary condition can be overcome by deflecting some of the hot air from the engine over the carburetor area.

**NOTE:** Refer to the engine manufacturer's manual for service and maintenance of the engine.

## SERVICE INFORMATION

**CONTACT THE COLEMAN  
POWERMATE CUSTOMER  
SERVICE DEPARTMENT AT  
1-800-445-1805  
to obtain warranty service  
information or to order  
replacement parts or  
accessories.**

### HOW TO ORDER REPLACEMENT PARTS

Even quality built equipment such as the Coleman Powermate electric generator you have purchased, might need occasional replacement parts to maintain it in good condition over the years. To order replacement parts, please give the following information:

1. Model No. and Serial No. and all specifications shown on the Model No./Serial No. plate.
2. Part number or numbers as shown in the Parts List section of this manual.
3. A brief description of the trouble with the generator.

**NOTE:** If replacement parts are required for the engine, contact one of the engine manufacturer's service centers.

**Coleman Powermate, Inc.  
4970 Airport Road  
P. O. Box 6001  
Kearney, NE 68848**

## LIMITED WARRANTY (NOT VALID IN MEXICO)

This product is warranted by Coleman Powermate, Inc. to the original retail consumer against defects in material and workmanship for a period of two (2) years from the date of retail purchase and is not transferable. This two year warranty applies only to products used in consumer applications. If these generators are used in a commercial application, then the period of warranty coverage is limited to one (1) year from the date of purchase.

Please complete and return the enclosed Customer Information Card so that we can reach you in the unlikely event a safety recall is needed. Return of this card is not required to validate this warranty.

**WHAT IS COVERED:** Replacement parts and labor.

**WHAT IS NOT COVERED:** Transportation charges to Coleman Powermate, Inc. for defective products. Transportation charges to consumer for repaired products. Brushes, rubber feet, and receptacles. Damages caused by abuse, accident, improper repair, or failure to perform normal maintenance. Power units or engines which are covered exclusively by the warranties of their manufacturer. Sales outside of the United States and Canada. Any other expense including consequential damages, incidental damages, or incidental expenses, including damage to property. Some states do not allow the exclusion or limitation of incidental or consequential damages, so the above limitation or exclusion may not apply to you.

**IMPLIED WARRANTIES:** Any implied warranties, including the Implied Warranties of Merchantability and Fitness For A Particular Purpose, are limited in duration to one (1) year from the date of retail purchase. Some states do not allow limitations on how long an implied warranty lasts, so the above limitation may not apply to you.

**HOW TO OBTAIN WARRANTY PERFORMANCE:** Replacement parts and service are available from Coleman Powermate, Inc. Service Centers. Locate your nearest Service Center by calling TOLL FREE 1-800-445-1805. In the unlikely event a Service Center can not be located you may call Coleman Powermate, Inc. for a return authorization number. **Any unit returned WITHOUT an authorization number will be refused.**

To the extent any provision of this warranty is prohibited by federal, state, or municipal law, and cannot be preempted, it shall not be applicable. This warranty gives you specific rights, and you may also have other rights which vary from state to state.

## RÈGLES D'OPÉRATION ET DE SÉCURITÉ

Les mesures de sécurité sont des éléments essentiels lorsqu'on parle d'équipement mécanique. Ces mesures sont nécessaires lorsqu'on utilise, range, et fait l'entretien d'équipement mécanique. Le fait d'utiliser cet équipement avec le respect et les précautions voulues permettra de diminuer considérablement les possibilités de blessures personnelles. Si l'on ignore ou néglige les mesures de sécurité, des blessures personnelles ou des dommages à la propriété peuvent s'en suivre.

Les symboles suivants sont utilisés fréquemment dans l'ensemble de ce manuel. Tenez toujours compte de ces précautions car elles sont essentielles lorsque vous utilisez tout équipement mécanique.



Ce symbole de danger identifie des instructions ou des procédures précises qui peuvent éviter des blessures personnelles ou même mortelles si on les suit correctement.



Ce symbole de mise en garde identifie des instructions ou des procédures précises qui peuvent éviter, si on les observe, des dommages ou la destruction de l'équipement.

Cet appareil est conçu pour des applications précises. Il ne doit être ni modifié ni utilisé pour toute application autre que celles pour lesquelles il a été conçu. Si vous avez des questions quant aux applications, veuillez écrire ou communiquer avec la compagnie. N'utilisez pas cet appareil jusqu'à ce que vous ayez été avisé. Pour plus de renseignements, communiquez avec le service à la clientèle au 1-800-445-1805.



Lorsque vous utilisez ce produit, certaines précautions de base doivent être respectées, dont les suivantes:

1. Lisez attentivement ce manuel - apprenez à connaître votre équipement. Tenez compte des applications, limites et dangers possibles de votre appareil.
2. On doit placer l'équipement sur une surface support solide.
3. La charge doit être dans les normes spécifiées sur la plaque signalétique de la génératrice. Toute surcharge abîme la génératrice et en raccourcit la durée de vie utile.
4. Le moteur ne doit pas tourner à des vitesses excessives car ceci augmente les risques de blessures personnelles. Ne touchez pas aux pièces ce qui pourrait augmenter ou réduire la vitesse régulée.
5. Afin d'empêcher les démarrages imprévus, toujours enlever la bougie ou le câble de la bougie avant d'ajuster la génératrice ou le moteur.

6. Un appareil dont les pièces sont cassées, auquel il manque des pièces ou qui n'a pas de carter ou de coquille protectrice ne doit en aucun cas être utilisé. Contacter notre service après-vente pour des pièces de rechange.
7. Ne pas faire fonctionner ou remiser l'appareil dans un endroit humide ni sur une surface mouillée, ni dans un endroit où il sera en contact avec des surfaces conductrices telles que des planchers ou armatures métalliques. **Toujours utiliser des gants et des bottes en caoutchouc ainsi qu'un interrupteur de circuit avec mise à la masse si de telles conditions sont présentes.**
8. Garder la génératrice propre et libre de toute huile, boue ou autre matière étrangère.
9. Les rallonges, les cordons d'alimentation et tout appareil électrique doivent être en bon état. Ne jamais faire fonctionner un appareil électrique dont le cordon d'alimentation est abîmé ou défectueux.
10. Ranger le nettoyeur haute pression dans un endroit bien ventilé, réservoir d'essence vide. On ne doit pas ranger l'essence près de la génératrice.
11. Vous ne devez jamais utiliser votre nettoyeur sous ces conditions:
  - a. Un changement de vitesse du moteur.
  - b. Perte de puissance électrique.
  - c. Surchauffe d'appareils connectés.
  - d. Jaillissement d'étincelles.
  - e. Prises endommagées.
  - f. Le moteur qui a des ratés.
  - g. Vibrations excessives.
  - h. Flamme ou fumée.
  - i. Compartiment fermé.
  - j. Pluie ou température défavorable.
12. Vérifier le système de carburant régulièrement pour toute fuite ou signes de détérioration tels un tuyau spongieux ou usé, une bride qui manque ou desserrée ou un réservoir ou couvercle endommagé. On doit corriger ces problèmes avant de faire fonctionner l'appareil.
13. On ne doit faire fonctionner, réparer et faire le plein que sous les conditions suivantes:
  - a. Une bonne ventilation - évitez les endroits où les vapeurs peuvent être immobilisées comme dans des fosses, sous-sols, caves, trous et dans le fond d'un bateau. La circulation de l'air et les températures sont importantes pour les appareils refroidis par air. Les températures ne devraient pas dépasser 40 degrés C (100 degrés F).

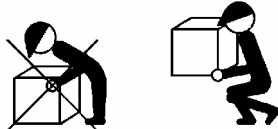




- b. On doit canaliser les gaz d'échappement dangereux vers l'extérieur de l'endroit de travail. Les émanations du moteur contiennent du monoxyde de carbone, un gaz invisible, sans odeur et empoisonné qui, si respiré, peut provoquer de sérieuses maladies et même la mort.
- c. Refaire le plein du nettoyeur haute pression dans un endroit bien éclairé. Évitez les débordements de carburant et ne refaites jamais le plein lorsque le générateur est en marche.
- d. Ne pas faire le plein près de flammes nues, de veilleuses ou d'équipement électrique projetant des étincelles comme les outils électriques, les soudeuses et les meuleuses.
- e. Le silencieux et le filtre à air doivent toujours être en place et en bon état puisqu'ils jouent le rôle de coupe-flammes s'il y a des ratés.
- f. Ne pas fumer près de la génératrice.



- 14. Ne pas porter de vêtements amples, de bijoux ou toute autre chose qui pourrait se prendre dans le démarreur ou autres pièces rotatives.
- 15. La génératrice doit atteindre son régime de fonctionnement avant que toute charge y soit connectée. Débrancher toute charge avant d'arrêter le moteur.
- 16. Afin d'empêcher les pointes de tension qui pourraient endommager les appareils branchés sur la génératrice, ne pas laisser le moteur tomber en panne de carburant pendant que des appareils sont branchés dessus.
- 17. Lorsque vous utilisez de l'équipement en solide, vous devriez utiliser un protecteur de surtension pour éviter d'endommager l'équipement. (Voir Mise en garde en page 15).
- 18. Ne rien mettre dans les fentes d'aération, même quand la génératrice n'est pas en marche. Ceci pourrait l'abîmer ou provoquer des blessures.
- 19. Avant de transporter la génératrice dans un véhicule, la vider de tout carburant afin d'empêcher les fuites.
- 20. Pour transporter le générateur d'un site à l'autre, utiliser les bonnes techniques de levage sinon vous pourriez causer des blessures personnelles.



- 21. Pour éviter les brûlures, ne touchez pas au silencieux du moteur ou à toute autre surface du moteur ou du générateur qui se réchauffe durant le fonctionnement.

## SILENCIEUX PARE-ÉTINCELLES

CET APPAREIL N'EST PAS DOTÉ D'UN SILENCIEUX PARE-ÉTINCELLES. S'il doit être utilisé à proximité de matériaux inflammables tels que récoltes, forêts, broussailles, herbes ou autres, il est fortement recommandé d'installer un pare-étincelles, par ailleurs obligatoire en Californie. Les articles de la loi californienne relatifs à l'usage de pare-étincelles sont les suivants : 13005(b), 4442 et 4443. L'usage d'un pare-étincelles est également exigé sur certains des territoires du service des Forêts américain et peut également l'être par d'autres lois et règlements. Un pare-étincelles homologué est disponible auprès de votre concessionnaire Coleman Powermate ou peut être commandé à Coleman Powermate, Inc., P. O. Box 6001, Kearney, Nebraska 68848. Téléphone : 1-800-445-1805.

## DETERMINATION DE LA PUISSANCE TOTALE NÉCESSAIRE

Pour déterminer quels outils et/ou quels appareils peuvent fonctionner avec votre générateur, suivez ces étapes :

1. Déterminez si vous désirez faire fonctionner un ou plusieurs appareils simultanément.
2. Vérifiez les exigences normales pour démarrer et faire rouler les appareils voulus en vous reportant à la plaque signalétique de charge ou en effectuant ce calcul (multipliez les ampères x volts = watts).
3. Additionnez le nombre de watts de démarrage et de fonctionnement de chaque appareil. Toutefois, la plaque signalétique de l'équipement vous donnera des chiffres de consommation d'électricité plus exacts. Si la plaque ne vous donne que des volts et des ampères, multipliez les volts x ampères = watts. 1KW = 1 000 watts.

### REMARQUE : Prévoir 2 1/2 - 4 fois la puissance indiquée pour la mise en marche de l'appareil.

4. Le nombre de watts de démarrage/surtension et de fonctionnement/puissance nominale devrait concorder ou dépasser le nombre total de watts requis pour l'équipement que vous désirez faire fonctionner.
5. Branchez toujours d'abord la charge la plus lourde au générateur, puis ajoutez les autres l'une à la fois.
6. Les appareils ou les outils à moteur exigent plus que leur puissance indiquée pour le démarrage.

## VÉRIFIER LA TENSION



**ATTENTION**

**ATTENTION : Vérifier la tension et la fréquence requises avant de brancher tout équipement électronique sur la génératrice. L'appareil peut se trouver endommagé s'il n'est pas prévu pour fonctionner à une tension égale à  $\pm 10\%$  et une fréquence égale à  $\pm 3$  Hz de celles indiquées sur la plaque signalétique de la génératrice. Pour éviter tout dommage, toujours brancher une charge additionnelle sur la génératrice lorsqu'un appareil à circuits intégrés (tel qu'un téléviseur) est utilisé. Une varistance peut être aussi nécessaire pour certaines applications, dans le cas d'un ordinateur, par exemple. Une varistance peut être aussi nécessaire pour certaines applications de l'équipement en solide.**

Typique de l'équipement en solide incluyen:

- Ouvres-portes de garage
- Appareils de cuisine à affichers digital
- Téléviseurs
- Stéréos
- Ordinateurs personnel
- Pendules à quartz
- Machines à photocopier
- Équipement téléphonique

Pour plus de renseignements, contacter notre Service Clients au 1-800-445-1805.

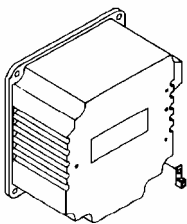
## AVANT DE METTRE EN MARCHÉ

### MISE À LA TERRE DE LA GÉNÉRATRICE

Veiller à ce que la génératrice soit reliée à la terre pour éviter les décharges électriques. Un ceillet de mise à la terre est fourni à cet effet. Relier, à l'aide d'un fil de gros calibre, l'oeillet de mise à la terre à une source extérieure de mise à la terre telle qu'une conduite d'eau ou une tige de cuivre enfoncée dans la terre.



**⚠ DANGER : Ne pas utiliser une conduite transportant un matériau combustible comme source de mise à la terre.**



Borne de mise à terre

## LUBRIFICATION

NE PAS essayer de faire démarrer ce moteur avant d'avoir rempli le carter d'huile, en utilisant la quantité et le type d'huile appropriés. (Ces renseignements sont fournis dans le manuel du moteur ci-inclus.) La génératrice est expédiée de l'usine avec le carter vide. Un moteur qui tourne sans huile dans le carter peut se trouver détruit.

## CARBURANT

Remplir le réservoir d'essence automobile sans plomb fraîche et libre de toute impureté. De l'essence ordinaire peut être utilisée, à condition qu'elle ait un indice d'octane élevé (85 octane minimum).



**ATTENTION**

**ATTENTION : Ne pas trop remplir le réservoir. Maintenir le niveau d'essence maximum à un centimètre au-dessous du haut du réservoir. Ceci permet l'expansion du carburant pendant les périodes de chaleur et empêche l'essence de déborder.**



**⚠ DANGER : L'essence est un produit très dangereux. Des blessures sérieuses peuvent résulter des flammes produites par le contact d'essence avec des surfaces très chaudes.**

1. Ne pas mettre de l'essence dans le réservoir quand le moteur est en marche.
2. Ne pas renverser d'essence lors du remplissage du réservoir.
3. Ne pas mélanger de l'huile à l'essence.

## PRÉPARATIFS AU DÉMARRAGE

Avant de mettre la génératrice en marche, vérifier qu'il ne manque aucune pièce, que toutes les pièces sont bien serrées et que la génératrice n'a pas été abîmée pendant le transport.



**⚠ DANGER : Ne pas faire fonctionner cette génératrice sans les écrans de chaleur montés en usine en place. Le non-respect de cette consigne peut entraîner la surchauffe du réservoir de carburant et des blessures à la suite de l'incendie ainsi provoqué.**

## DÉMARRAGE DU MOTEUR

1. Vérifiez le niveau d'huile et de carburant.
  2. Débranchez toutes les charges électriques de l'appareil.
  3. Ouvrez la vanne de fermeture de carburant.
  4. Réglez le doseur au besoin.
  5. Réglez l'interrupteur du moteur en position "ON".
  6. Tirez sur la corde de lancement d'un coup rapide et sûr.
- Lorsque le moteur se réchauffe, réglez à nouveau le doseur. Pour les modèles à lancement électrique, appuyez sur le bouton installé sur la tête du générateur ou tournez l'interrupteur à clé à "DÉMARRER" selon votre modèle. Après que le moteur démarre, relâchez l'interrupteur à clé.



**⚠ DANGER : Fournir une aération suffisante pour éliminer les gaz d'échappement toxiques et assurer le refroidissement du moteur.**

## RODAGE

Un rodage bien mené aide à assurer le bon fonctionnement du moteur et de la génératrice. Suivre les recommandations données dans le manuel du moteur.



**ATTENTION : Ne pas brancher un appareil puissant sur la génératrice pendant la période de rodage (les deux à trois premières heures de fonctionnement).**



**ATTENTION : Laisser la génératrice fonctionner cinq minutes sans aucun appareil branché dessus au moment du démarrage initial pour permettre au moteur et à la génératrice de se stabiliser.**

## ARRÊT DE LA GÉNÉRATRICE

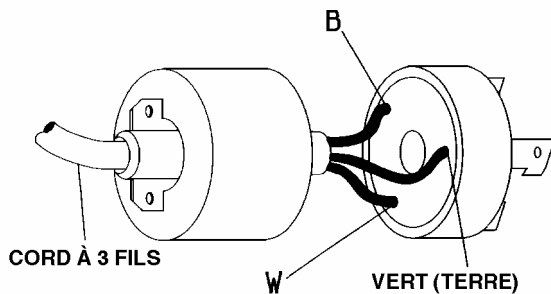
1. Retirez toute la charge électrique.
2. Laissez le moteur tourner quelques minutes sans charge.
3. Placez l'interrupteur du moteur en position "OFF". (Tournez l'interrupteur à clé à "ARRÊT" pour les modèles à lancement électrique.)
4. Ne laissez pas le générateur jusqu'à ce qu'il soit complètement arrêté.
5. Fermez la vanne de fermeture du carburant (s'il y en a une) si le moteur doit être rangé ou transporté.
6. Si l'on utilise, un couvercle, ne l'installez pas jusqu'à ce que l'appareil soit refroidi.

## CONNEXIONS DU CORDON D'ALIMENTATION

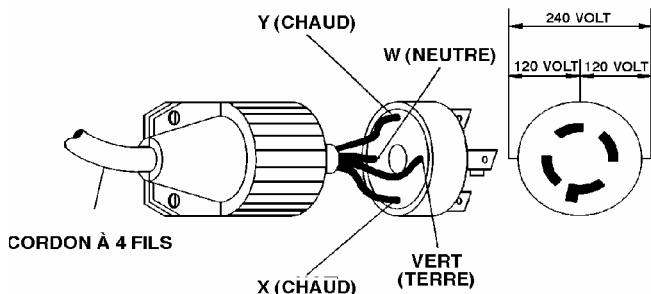
Vous référer aux diagrammes appropriés pour relier les fils du cordon d'alimentation aux bornes voulues de la fiche.



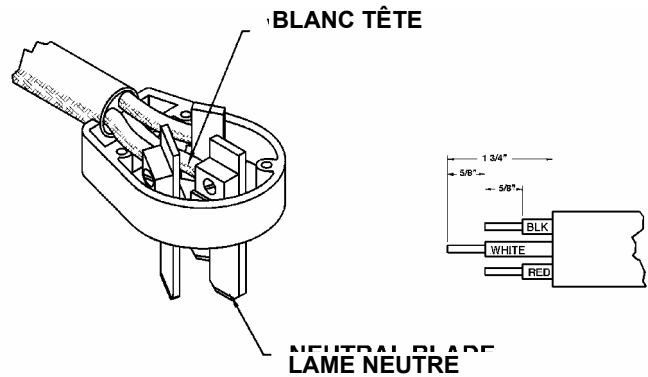
**ATTENTION : Veiller à ce que le cordon d'alimentation utilisé soit bien isolé et d'un ampérage correspondant à celui de la fiche.**



Fiche de 120 V et 30 A



Fiche de 120/240 V, 20 A et 30 A



Fiche de 240 V, 50 A

## BRANCHEMENT DES APPAREILS

Cette génératrice a été vérifiée et réglée pour fonctionner à pleine capacité. Débrancher tout appareil qui y est relié avant de la mettre en marche. Attendre qu'elle tourne avant de commencer à brancher des appareils dessus. La tension est réglée par la vitesse du moteur, qui a été ajustée à l'usine pour assurer la puissance voulue. Il est déconseillé de la régler.



**ATTENTION : Ne pas dépasser la puissance nominale de la génératrice lorsqu'une ou plusieurs prises sont utilisées. De plus, ne pas dépasser l'ampérage nominal d'une prise, quelle qu'elle soit.**

## CARACTERISTIQUES PRINCIPALES

### A. Prise double de 120 V, 15 A et 20 A

Cette prise double est câblée pour fournir 15 A/ 20 A. La charge totale doit cependant rester dans les limites indiquées sur la plaque signalétique. Ces prises peuvent s'utiliser en conjonction avec la prise à verrouillage à condition que la génératrice ne soit pas surchargée.

### B. Prise à verrouillage de 120 V, 30 A

Cette prise fournit un maximum de 30 A. Si d'autres prises sont utilisées en même temps que celle-ci, la charge totale doit rester dans les limites indiquées sur la plaque signalétique.

### C. Prise à verrouillage de 120/240 V, 20 A

Cette prise de 120/240 V fournit un maximum de 20 A à condition que ce soit la seule utilisée. La charge totale doit par ailleurs rester dans les limites indiquées sur la plaque signalétique. Si la prise de 120/240 V est utilisée en conjonction avec les prises de 120 V, la charge totale ne doit pas dépasser les limites indiquées sur la plaque.

### D. Disjoncteurs

Les boîtiers sont protégés par un disjoncteur de c.a. (Voir Commande de ralenti)



**E. Interrupteur de la commande de ralenti**

Interrupteur de commande de ralenti certains modèles sont dotés d'un interrupteur de commande de ralenti. (Voir Commande de ralenti)

**F. Prise à verrouillage de 120/240 V, 30 A**

Cette prise de 120/240 V fournit un maximum de 30 A, à condition que ce soit la seule utilisée. La charge totale doit par ailleurs rester dans les limites indiquées sur la plaque signalétique. Si la prise de 120/240 V est utilisée en conjonction avec les prises de 120 V, la charge totale ne doit pas dépasser les limites indiquées sur la plaque.

**H. Boîtier de c.c. 12 v 15 ampères**

Certains modèles sont dotés d'un chargeur de pile. (Voir caractéristiques c.c.)

**I. Boîtier d'interrupteur de circuit en cas de fuite à la terre 120 volts**

Le boîtier de prise double d'interrupteur de circuit en cas de fuite à la terre a une valeur nominale telle qu'un total de 20 A peut être tiré indépendamment du boîtier utilisé (simple ou demi). Ce boîtier peut être utilisé avec les autres boîtiers en autant que le générateur n'est pas surchargé et que la puissance totale reste dans la fourchette de valeurs indiquées sur la plaque signalétique.

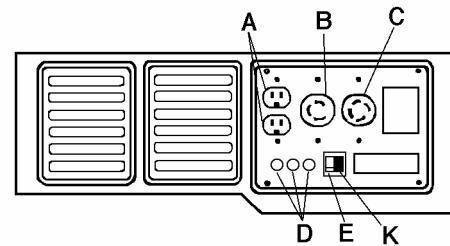
**Interrupteur de circuit en cas de fuite à la terre**

(conforme à U.L. 943, Catégorie A et exigences NEC). Cet appareil vous protège contre les dangers de chocs électriques qui peuvent être causés si votre corps devient un conduit pour l'électricité se rendant à la terre. Ceci peut se produire si vous touchez un appareil ou un cordon qui est "sous tension" suite à un mécanisme défectueux, un isolant usé ou humide etc.

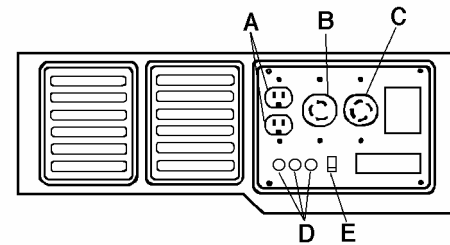
**J. Boîtier résistant 240 volts**

Ce boîtier a une valeur nominale de 50 A, mais le courant doit être limité à la valeur de la plaque signalétique. Si ce réceptacle est utilisé avec des boîtiers de 120 volts, la charge totale ne doit pas dépasser les valeurs de plaque signalétique.

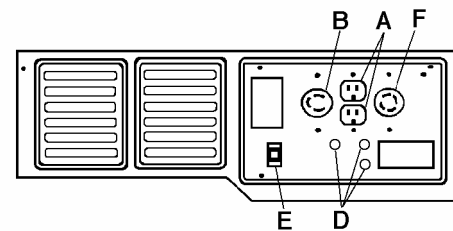
**K. Le début de moteur/ commutateur d'arrêt**



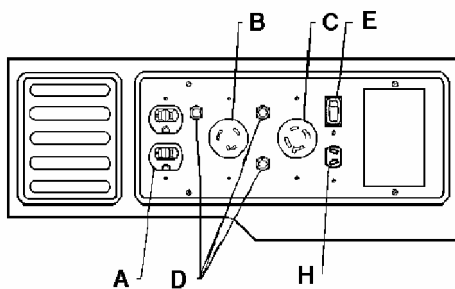
**Tableau De Commande PM0474203**



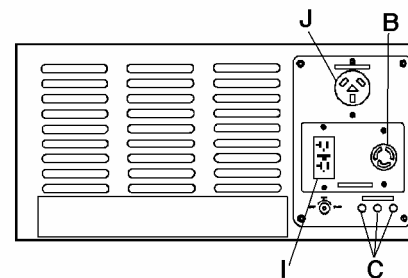
**Tableau De Commande PM0475003 Et PC0475003**



**Tableau De Commande PM0477022, PM0477023 Et PC0477023**



**Tableau De Commande PM0473503, PL0473503 Et PC0473503**



**Tableau De Commande PM0478022**

## PROTECTION DES CIRCUITS

### AC FEATURES

Les prises sont protégées par un disjoncteur alternatif. En cas de surcharge ou de court-circuit extérieur, le disjoncteur saute. Si cela se produit, débrancher tout appareil relié à la génératrice et essayer de déterminer la cause du problème avant d'essayer de la réutiliser. Si le disjoncteur saute en raison d'une surcharge, réduire la charge. **REMARQUE : La génératrice ou les appareils branchés dessus peuvent se trouver abîmés si le disjoncteur saute continuellement.** Appuyer sur le bouton du disjoncteur pour le réenclencher.

### DC FEATURES (Modèles PM0473503, PL0473503 et PC0473503 seulement)

Cette génératrice est dotée d'un circuit utilisé pour la recharge de batteries et le tableau de contrôle comporte une prise à courant continu pour fiche à deux broches. Un câble équipé d'une fiche correspondante est fourni avec l'appareil.

Le chargeur de batterie de cette génératrice est de type progressif non stabilisé, le plus courant de nos jours. Avec ce type de chargeur, le courant de charge varie en fonction de la tension du chargeur et de l'état de charge de la batterie. Au fur et à la batterie augmente et devient virtuellement constante. Les chargeurs progressifs sont prévus pour être utilisés en prévoyant qu'ils devront être débranchés de la batterie au bout d'un temps de charge maximum. Habituellement, une période de 30 à 120 minutes suffit pour recharger une batterie déchargée.



**ATTENTION:** Ce système de recharge de batterie est prévu pour recharger les batteries, pas pour faire démarrer un véhicule dont la batterie est insuffisamment chargée.

**REMARQUE:** Quand le circuit de recharge de batteries est utilisé, la capacité de production de courant alternatif est réduite de 180 W. Veiller à ce que les charges combinées ne soient pas excessives.

Avant de recharger un accumulateur, vérifier le niveau d'électrolyte dans tous les éléments (les batteries à bac hermétique n'ont pas besoin d'être vérifiées). Si nécessaire, ajouter de l'eau distillée dans chaque élément pour ramener l'électrolyte au niveau exigé par le fabricant.



**DANGER:** Il se dégage un gas EXPLOSIF (hydrogène) des batteries pendant qu'elles se rechargent. Ne pas permettre de fumer ni autoriser la présence de flammes, étincelles ou matériel produisant des étincelles à proximité.

Placer la pince rouge sur la borne positive de la batterie. Placer la pince noire sur la borne négative de la batterie. Insérer la fiche à courant continu dans la prise à courant continu de la génératrice. Une fois la batterie pleinement chargée, débrancher les câbles de recharge de la génératrice, puis les enlever des bornes de la batterie.



**ATTENTION:** L'électrolyte de la batterie se compose d'acide sulfurique, un acide qui peut être très dangereux et provoquer des brûlures graves. Ne pas permettre le contact de ce liquide avec les yeux, la peau, les vêtements, etc. En cas de contact ou si du liquide se trouve renversé, bien rincer à l'eau tiède immédiatement.

## DISJONCTEUR DE CIRCUIT À COURANT CONTINU

L'ampérage maximum du courant fourni est 15 A. Le circuit continu est équipé d'un disjoncteur automatique pour le protéger des surcharges et assurer le bon chargement de la batterie. En cas de surcharge, le disjoncteur se déclenche. Il se réenclenche automatiquement une fois froid. Au fur et à mesure que la batterie se recharge, le taux de charge maximum de la batterie diminue, finissant par devenir inférieur à 15 A, puis par passer à zéro une fois la batterie complètement rechargée.

### NIVEAU D'HUILE BAS

Certaines génératrices sont équipées d'un dispositif d'arrêt en cas de niveau d'huile trop bas. Quand l'huile descend au-dessous du niveau limite, le voyant rouge clignote. Ce voyant est monté sur le côté droit du boîtier du ventilateur. Si on n'ajoute pas d'huile, la génératrice s'éteint automatiquement. Ceci protège la génératrice en l'empêchant de fonctionner quand la lubrification n'est plus adéquate.

Si la génératrice s'arrête mais qu'il y a suffisamment d'huile, vérifier si elle se trouve sur un plan incliné, entraînant l'accumulation d'huile à une extrémité de l'appareil. Si c'est le cas, remettre la génératrice de niveau. Si elle ne démarre encore pas, il est possible que le niveau d'huile ne soit pas assez élevé pour couper le dispositif d'arrêt. Vérifier le voyant indicateur de niveau d'huile tout en tirant sur le lanceur. Si le voyant clignote, ajouter de l'huile. Veiller à ce que le carter soit complètement rempli d'huile.

**Remarque :** Pour le modèle PM0477023 et PC0477023, vous devrez embrayer le moteur 1 à 2 secondes pour créer suffisamment de pression pour ouvrir l'interrupteur d'arrêt.

### USAGE PEU FRÉQUENT

Si la génératrice est rarement utilisée, il est possible qu'elle soit difficile à mettre en marche. Pour éliminer ce problème, faire tourner la génératrice pendant au moins 30 minutes toutes les semaines. Par ailleurs, si elle ne doit pas être utilisée pendant un certain temps, il est bon de vider le carburateur et le réservoir de toute essence.

### REMISAGE À LONG TERME

Si la génératrice n'est pas utilisée ou qu'elle est remise pendant plus d'un mois, procéder comme suit :

1. Remettre de l'huile jusqu'au repère supérieur.
2. Éliminer toute essence du réservoir, de la conduite et du carburateur.
3. Mettre environ une cuillerée à thé d'huile pour moteur dans l'orifice des bougies, tirer sur le lanceur à plusieurs reprises et remettre la bougie en place. Ensuite, tirer sur le lanceur jusqu'à ce que le piston soit en position de compression et le laisser dans cette position. Ceci ferme les soupapes d'admission et d'échappement afin d'empêcher l'intérieur du cylindre de rouiller.
4. Couvrir la génératrice et la remiser dans un endroit propre, sec et bien aéré, loin de toute source de flamme ou d'étincelles.

**REMARQUE :** L'usage d'un additif pour carburant tel que STA-BIL® ou un produit équivalent limite la formation de dépôts de calamine pendant l'entreposage. Ce genre d'additif peut être ajouté à l'essence soit dans le réservoir du moteur, soit dans le bidon d'essence.

## INSTALLATION



**⚠ DANGER :** Pour éviter toute blessure et tout dommage aux appareils, faire effectuer l'installation électrique et toutes réparations par un électricien licencié ou un spécialiste du service après-vente agréé. En aucune circonstance, une personne non qualifiée ne doit-elle essayer de réaliser le câblage sur l'installation électrique existante.

Pour éviter les retours de courant dans l'installation électrique de la maison, il est nécessaire d'assurer son isolation.

Avant d'effectuer la connexion temporaire de la génératrice sur l'installation électrique de la maison, couper le courant à l'interrupteur principal.

Si la génératrice est utilisée comme source auxiliaire en cas de panne de courant, elle doit être installée par un électricien qualifié et en conformité avec tous les codes locaux applicables.

Pour que l'installation soit correcte, un commutateur de transfert à deux directions doit être installé par un électricien qualifié et licencié de façon à ce que les circuits électriques du bâtiment puissent être commutés du secteur à la génératrice sans danger, empêchant ainsi les retours de courant dans le secteur.

**⚠ DANGER :** Pour éviter les retours de courant dans le secteur, il est nécessaire d'assurer l'isolation électrique de la maison. Avant d'effectuer la connexion temporaire de la génératrice sur l'installation électrique de la maison, couper le courant à l'interrupteur principal. Avant de réaliser des connexions permanentes, installer un commutateur de transfert à deux directions. Pour éviter toute électrocution ou des dommages matériels, faire connecter la génératrice à l'installation électrique de la maison par un électricien qualifié. Les lois californiennes exigent l'isolation de l'installation électrique de la maison avant d'y connecter une génératrice.



## CÂBLAGE DU DÉMARREUR ÉLECTRIQUE

Si votre générateur est doté d'un démarreur électrique, reportez-vous à l'un des schémas de câblage des pages suivantes.

### FIGURE A (Page 20)

Certains modèles sont dotés d'un interrupteur à clé rotatif "Arrêt-Marche-Démarrer" sur le panneau latéral de recul. Tous les fils nécessaires sont fournis tandis que le client doit fournir la batterie. Les fils de cuivre #8 AWG (American Wire Gauge) avec cosses circulaires facilitent le branchement de la batterie. Branchez le fil du châssis à la cosse de batterie négative (-) et le fil du solénoïde de démarrage à la cosse positive (+) à l'aide des boulons, rondelles de blocage et écrous appropriés. Le fil orange branché au solénoïde et la cosse positive (+) permettent de charger la batterie jusqu'à 16 amps.

Votre moteur est équipé d'un système de charge d'entretien. Le fil rouge #14 AWG (American Wire Gauge) sortant du moteur doit être branché à la cosse positive de la batterie (Voir le manuel de l'opérateur du moteur).

### FIGURE B (Page 20)

Certains modèles sont dotés d'un interrupteur à clé rotatif "Arrêt-Marche-Démarrer" sur le panneau de commande. Tous les fils nécessaires sont fournis tandis que le client doit fournir la batterie. Les fils de cuivre #8 AWG (American Wire Gauge) avec cosses circulaires facilitent le branchement de la batterie. Branchez le fil du châssis à la cosse de batterie négative (-) et le fil du solénoïde de démarrage à la cosse positive (+) à l'aide des boulons, rondelles de blocage et écrous appropriés.



**⚠ ATTENTION:** Les batteries contiennent de l'acide sulfurique (lorsqu'elles sont pleines). Elles peuvent également produire des gaz explosifs. Toujours observer les mesures de sécurité recommandées par le fabricant.

- Ne pas fumer à proximité de batteries, les garder à distance sûre de toute source d'étincelles ou de flamme.
- De l'hydrogène est produit pendant la décharge et la recharge de la batterie.
- Toujours protéger les yeux, la peau et les vêtements lorsqu'on travaille à proximité de batteries.

## DIAGRAMME DE CÂBLAGE DE BASE

Modèles à démarrage électrique (Modèles à interrupteur à clé sur le moteur)

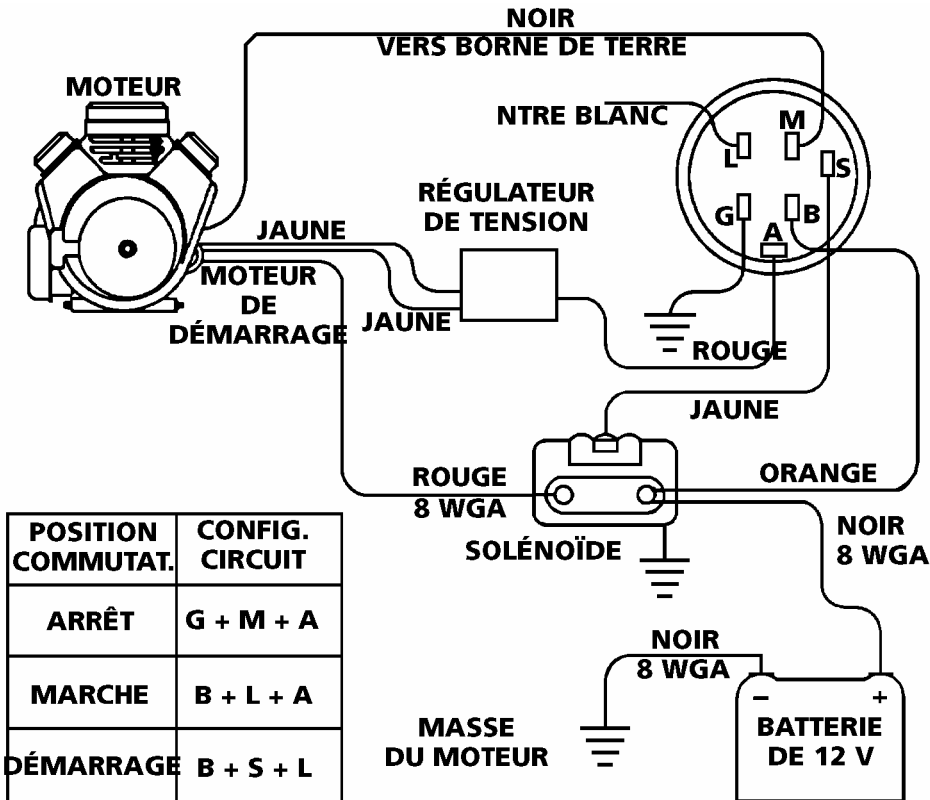


FIGURE A

## DIAGRAMME DE CÂBLAGE DE BASE

Modèles à démarrage électrique (Modèles à interrupteur à clé sur le panneau de commande)

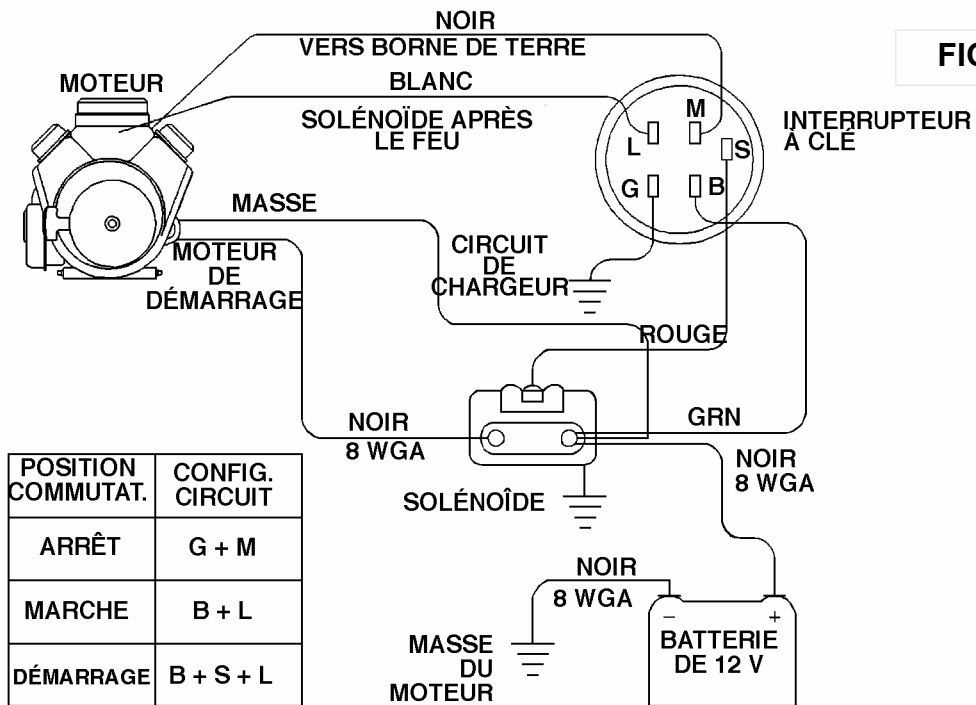


FIGURE B

## FONCTIONNEMENT DE LA COMMANDE DU RALENTI

Le circuit de commande du ralenti est conçu pour prolonger la durée de vie utile du moteur et en améliorer la consommation de carburant en réduisant le régime à environ 2000 tours/mn en condition «sans charge». Ceci assure également une forte réduction du bruit.

Lorsque la production d'électricité doit reprendre, un module de commande électronique «sent» le débit de courant dans la prise de courant et permet au moteur de retourner à son plein régime ou aux conditions de fonctionnement normales. De même, lorsque la charge est retirée, la génératrice se remet automatiquement au ralenti.

Un interrupteur monté sur le tableau de commande pour plus de facilité d'accès coupe le circuit de commande du ralenti lorsqu'il est mis en position éteinte.

## DÉPANNAGE DE LA COMMANDE DU RALENTI

PROBLEME	CAUSE POSSIBLE	CORRECTION
<b>La génératrice ne tourne pas au ralenti</b>	Le ralenti n'est pas allumé au table de commande	Allumer le ralenti à l'interrupteur
	Une charge est branchée sur la prise	Débrancher la charge
	Connexion ou cordon défectueux	Veerifier et réparer
	Module de commande du ralenti défectueux; électro-aimant ou solénoïde défectueus; stator défectueux	Remplacer Consulter le concessionnaire
<b>La génératrice tourne au ralenti même lorsqu'une charge est branchée dessus</b>	La charge n'est pas assez importante	Éteindre le ralenti à l'interrupteur Augmenter la charge
	Module de commande du ralenti	Remplacer Consulter le concessionnaire
<b>La génératrice veut tourner au ralenti mais n'y reste pas</b>	Position de l'électroaimant ou du solénoïde incorrecte	Régler la position de l'électro-aimant ou du solénoïde pour un 2000 t/mn Consulter le concessionnaire
	Le support du papillon des gaz a du jeu ou est tordu	Serrer ou redresser Remplacer le pappillon des gaz. Rerégler à un ralenti de 2000 t/mn
	Le moteur ne fonctionne pas correctement	Régler le carburateur Consulter le concessionnaire

## ENTRETIEN

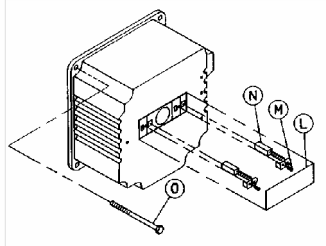
### ENTRETIEN

#### GÉNÉRATRICE : Balais

Les balais de la génératrice doivent être inspectés une fois par an pour vérifier s'ils ne sont pas fendillés ou autrement abîmés. Il faut par ailleurs les remplacer quand ils ne font plus que 7 mm. Remarque : Toujours remplacer le jeu de balais et non pas un seul balai à la fois.

#### INSPECTION DES BALAIS :

1. Enlever la plaque (L).
2. Enlever les 4 boulons du stator (O) et le couvre-enroulement.
3. Déconnecter les fils verts (-) ou bleus (+) des balais de la patte.
4. Enlever les vis de montage des balais (M)
5. Faire glisser les balais (N) des porte-balais.
6. Remplacer les balais s'ils ne font plus que 7 mm.
7. Ne pas trop resserrer les vis.



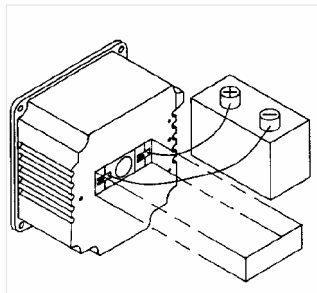
**REMARQUE :** Remplacer les balais uniquement avec les balais de rechange spécifiés dans la liste des pièces détachées. D'autres balais peuvent paraître identiques mais avoir des caractéristiques mécaniques et électriques complètement différentes.

#### EXCITATION DE LA GÉNÉRATRICE :

**REMARQUE :** Si votre générateur est un appareil sans balai, veuillez contacter votre centre de service à la clientèle local ou le service à la clientèle Powermate Coleman afin d'obtenir de l'aide pour exciter votre générateur.

S'il y a perte de l'aimantation résiduelle (la tension ne monte pas), il peut être nécessaire de réamorcer la génératrice.

1. Utiliser une batterie à lanterne (pile sèche) de 6 V.
2. Enlever la plaque protectrice des balais.
3. Mettre la génératrice en marche sans aucun appareil branché dessus.
4. Relier le fil négatif de la batterie au balai négatif. Assurer très brièvement le contact du fil positif de la batterie avec le balai positif tel qu'illustré. Cesser dès que la tension augmente. (Pour mesurer la tension, utiliser un voltmètre enfichable si la génératrice n'en est pas équipée.)



#### ÉCRANS DE CHALEUR :

Vérifier que tous les écrans de chaleur et les déflecteurs thermiques sont intacts et en place.

#### MOTEUR : Givrage du carburateur

Pendant les mois d'hiver, des conditions atmosphériques rares peuvent provoquer la formation de glace dans le carburateur. Quand cela arrive, le moteur fonctionne mal, perd de sa puissance et peut même tomber en panne. Ce problème temporaire peut être corrigé en faisant souffler l'air chaud du moteur sur le carburateur.

**REMARQUE :** Se référer au Manuel de l'utilisateur du fabricant du moteur pour l'entretien et la réparation du moteur.

## SERVICE-CLIENTS

### SERVICE-CLIENTS

### COLEMAN POWERMATE AU

1-800-445-1805

### POUR CONNAÎTRE LE SERVICE APRÈS-VENTE AGRÉÉ LE PLUS PROCHE.

#### COMMANDE DE PIÈCES DE RECHANGE

Même dans le cas d'appareils de haute qualité comme la génératrice Coleman Powermate en votre possession, des pièces de rechange peuvent devenir nécessaires pour garder l'appareil en bon état au fur et à mesure que passent les années. Pour commander des pièces de rechange, veuillez fournir les renseignements suivants :

1. Les numéros de modèle et de série ainsi que toutes les spécifications portées sur la plaque où sont indiqués les numéros de modèle et de série.
2. Le ou les numéros de pièce de rechange indiqués dans la liste des pièces de rechange.
3. Une brève description du problème rencontré.

**REMARQUE :** Si des pièces de rechange sont nécessaires pour le moteur, contacter l'un des centres de service après-vente du fabricant.

Coleman Powermate, Inc.  
4970 Airport Road  
P. O. Box 6001  
Kearney, NE 68848  
Attention: Warranty Service Dept.

## **GARANTIE LIMITÉE (NON VALIDE EN MEXIQUE)**

Ce produit est garanti par Coleman Powermate, Inc. pour le consommateur au détail original contre tout vice de fabrication et de matériau pour une période de deux (2) ans à partir de la date d'achat au détail et la garantie ne peut être transférée. Cette garantie d'un an s'applique uniquement aux appareils à usage domestique. Si une génératrice est utilisée à des fins commerciales, sa période de garantie est limitée aux une (1) an suivant sa date d'achat.

Veillez remplir et retourner la carte-client ci-incluse de façon à ce que nous puissions vous joindre au cas peu probable où la génératrice devrait être modifiée pour des raisons de sécurité. Il n'est pas nécessaire de retourner cette carte pour que cette garantie entre en vigueur.

**CE QUI EST COUVERT :** Les pièces de rechange et la main-d'oeuvre.

**CE QUI N'EST PAS COUVERT :** Les frais d'expédition à Coleman Powermate, Inc. des produits défectueux. Les frais d'expédition au consommateur des produits réparés. Les balais, les fusibles, les pieds en caoutchouc et les prises de courant femelles. Les dommages causés par un usage abusif, un accident, une réparation incorrecte ou le non-entretien normal de l'appareil. Les alimentations de puissance ou les moteurs couverts exclusivement par la garantie de leur fabricant. Les articles vendus hors des États-Unis ou du Canada. Tous autres frais y compris ceux dûs à des dommages indirects ou accidentels ni les dépenses imprévues, y compris les dommages matériels. Certaines provinces ne permettent pas l'exclusion ou la limitation des dommages indirects ou accidentels, et les limitations ou exclusions ci-dessus peuvent ne pas s'appliquer à votre cas.

**GARANTIES IMPLICITES:** Toutes les garanties implicites, incluant la garantie implicite de commerciabilité et d'adaptation à un usage particulier, se limitent à une durée de une (1) an à partir de la date d'achat au détail. Certaines juridictions n'acceptent pas de limites quant à la durée de la garantie implicite donc, les limites précédentes peuvent ne pas s'appliquer dans votre cas.

**COMMENT OBTENIR LES PRESTATIONS DE GARANTIE :** Pièces de remplacement et service est disponible à Centres de Service de Coleman Powermate, Inc. Pour trouver votre centre de service. Le plus rapproché, composer le NUMÉRO SANS TOLL FREE 1-800-445-1805. Dans le cas fort improbable un Centre de Service ne le trouver pas. Veiller à appeler à Coleman Powermate, Inc. pour obtenir un numéro d'autorisation de retour. Tout appareil retourné SANS numéro d'autorisation de retour sera refusé.

Dans la mesure où toute stipulation de cette garantie est interdite par les lois fédérales, provinciales ou locales et qu'il ne peut y être substitué, elle n'est pas applicable. Cette garantie vous donne des droits spécifiques et vous pouvez aussi jouir d'autres droits qui varient d'une province à l'autre.

## REGLAS DE SEGURIDAD Y DE FUNCIONAMIENTO

Es esencial tomar medidas de seguridad al manejar equipos mecánicos. Estas precauciones son necesarias al usar, almacenar y realizar el servicio a los equipos electromecánicos. El uso de este equipo con el cuidado y la precaución requeridos disminuirá notablemente la posibilidad de lesiones personales. Si se pasan por alto o se ignoran las precauciones de seguridad, pueden ocurrir lesiones personales.

Los símbolos que aparecen a continuación se usan a lo largo de este manual. Siempre tenga en cuenta estas precauciones, pues son fundamentales cada vez que use un equipo eléctrico o mecánico.



Este símbolo de advertencia identifica instrucciones o procedimientos específicos que podrían causar lesiones personales o la muerte, en caso de no seguirse correctamente



Este símbolo de precaución identifica instrucciones o procedimientos específicos que podrían causar daños o destrucción del equipo, en caso de no observarse estrictamente.

Esta unidad fue diseñada para ciertas aplicaciones específicas. No debe ser modificada ni usada para cualquier aplicación diferente de las de diseño. Si tiene alguna pregunta con respecto a su aplicación, escribanos o llámenos. No utilice esta unidad hasta haber recibido los consejos correspondientes.



Cuando use este producto, siempre se deberán seguir precauciones básicas, incluyendo las siguientes:

1. Lea este manual con sumo cuidado; conozca su equipo. Considere las aplicaciones, limitaciones y los riesgos potenciales específicos para su unidad.
2. El equipo debe ser colocado sobre una superficie de apoyo firme.
3. La carga debe mantenerse dentro de los valores nominales que aparecen en la placa de identificación del generador. Una sobrecarga dañará la unidad o disminuirá su vida útil.
4. El motor no debe hacerse funcionar a velocidades excesivas. Operar el motor a velocidades excesivas aumenta el riesgo de lesiones personales. No manipule las piezas que aumentan o disminuyen la velocidad gobernada.
5. Para evitar un arranque inesperado, siempre retire la bujía o el cable de la bujía antes de ajustar el generador o el motor.
6. Nunca debe operarse una unidad con piezas quebradas o faltantes, o sin el alojamiento o cubiertas protectoras. Comuníquese con su centro de servicio para solicitar los repuestos.



7. Las unidades no deben operarse ni almacenarse en condiciones húmedas o mojadas ni en lugares altamente conductores tales como plataformas metálicas o estructuras de acero. Siempre use guantes y botas de hule y un interruptor accionado por corriente de pérdida a tierra en caso de que estas condiciones estén presentes durante el uso.
8. Mantenga el generador limpio y libre de aceite, barro y cualquier otro material extraño.
9. Los cables prolongadores, los cables eléctricos y todos los equipos eléctricos deben estar en buenas condiciones. Nunca opere un equipo eléctrico con cables dañados o defectuosos.
10. Almacene el generador en un lugar bien ventilado con el tanque de combustible vacío. No debe almacenarse el combustible cerca del generador.
11. Su generador nunca debe ser operado bajo las siguientes condiciones:
  - a. Cambio en la velocidad del motor
  - b. Pérdida de salida eléctrica
  - c. Sobrecalentamiento en los equipos conectados
  - d. Formación de chispas
  - e. Receptáculos dañados
  - f. Falsa explosión del motor
  - g. Vibración excesiva
  - h. Llamas o humo
  - i. Compartimiento cerrado
  - j. Lluvia o clima inclemente
12. Verifique el sistema de combustible periódicamente por fugas o señales de deterioro tales como una manguera gastada o esponjosa, pinzas flojas o faltantes, o un tanque o tapón dañados. Todos los defectos deben ser corregidos antes de entrar en operación.
13. El generador debe ser operado, recibir el servicio y cargarse con combustible sólo bajo las condiciones siguientes:
  - a. Buena ventilación. Evite zonas en las cuales los vapores pueden quedar atrapados, tales como pozos, sótanos, bodegas, excavaciones y sentinas de los barcos. El flujo del aire y de la temperatura son importantes para las unidades refrigeradas por aire. Las temperaturas no deben ser mayores que los 100 grados F (40 grados C).
  - b. Los peligrosos gases de escape deben ser eliminados de los lugares cerrados. El escape del motor contiene monóxido de carbono, un gas venenoso, inodoro e invisible el cual, si se aspira, causa enfermedades graves y posiblemente la muerte.

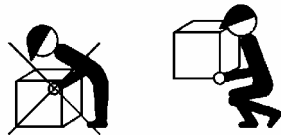




- c. Vuelva a cargar el combustible en el generador en un lugar bien iluminado. Evite derrames de combustible y nunca cargue combustible al generador en una zona con buena iluminación. Evite derramar combustible y no cargue nunca combustible mientras esté operando el generador.
- d. No cargue combustible cerca de llamas expuestas, piloto o equipos eléctricos con chispas como herramientas mecánicas, soldadores y rectificadoras.
- e. Deberá instalar el silenciador y filtro de aire, los cuales deberán estar buenas condiciones en todo momento ya que detienen el fuego en caso de una explosión incompleta en la admisión del motor.
- f. No fume cerca del generador.



- 14. No use ropa demasiado holgada, alhajas o cualquier otra cosa que pueda quedar atrapada en el arrancador u otras partes rotativas.
- 15. La unidad debe alcanzar la velocidad operativa antes de conectarse las cargas eléctricas. Desconecte las cargas antes de apagar el motor.
- 16. Para evitar sobretensiones que podrían dañar al equipo, no permita que el motor se quede sin combustible al aplicarse las cargas eléctricas.
- 17. Al poner en funcionamiento es equipo de estado sólido, se debería usar un condicionador de la línea eléctrica para evitar posibles daños al equipo (Consulte la advertencia de seguridad de la página 26).
- 18. No coloque nada a través de las ranuras de ventilación, aun cuando el generador no está en operación. Esto puede dañar al generador o causar lesiones personales.
- 19. Antes de transportar el generador en un vehículo, desagote todo el combustible para evitar la posibilidad de fugas.
- 20. Use adecuadas técnicas de elevación al transportar el generador de un lugar a otro. De lo contrario, podrían producirse lesiones personales.



- 21. Para evitar quemaduras, no toque el silenciador del motor u otro motor o superficie del generador que se caliente durante la operación.

## SILENCIADOR APAGACHISPAS

ESTE PRODUCTO NO ESTA EQUIPADO CON UN SILENCIADOR APAGACHISPAS. Si el producto debe usarse cerca de materiales inflamables, tales como cosechas agrícolas, bosques, arbustos, pastos u otros artículos similares, entonces debe instalarse un apagachispas aprobado. Esto se requiere legalmente en el estado de California. Los estatutos de California que requieren un apagachispas son las Secciones 13005(b), 4442 y 4443. Los apagachispas también se requieren en algunas de las tierras del Servicio de Bosques de los EE.UU. y también podrían ser requeridos legalmente según otros estatutos y ordenanzas. Un apagachispas aprobado se encuentra disponible de su distribuidor Coleman Powermate o puede encargarse de Coleman Powermate, Inc., P. O. Box 6001, Kearney, Nebraska 68848 EE.UU. (308) 237-2181.

## COMO DETERMINAR EL VATAJE TOTAL

A fin de evitar la sobrecarga y los posibles daños a su generador, resulta necesario conocer el vataje total de la carga conectada. Para determinar qué herramientas y/p electrodomésticos su generador hará funcionar, siga los pasos a continuación:

1. Determine si desea hacer funcionar un aparato o varios aparatos simultáneamente.
  2. Verifique los requerimientos de potencia de arranque y de funcionamiento de los aparatos fijándose en las carga especificada en la etiqueta, o calculándola (multiplique amperios x voltios = watts o potencia).
  3. Sume la potencia necesaria de arranque y de funcionamiento de cada aparato. Si la etiqueta sólo le da el voltaje y el amperaje, entonces multiplique Voltios x Amperios = Watts. **1KW = 1,000 watts.**
- NOTA: Permita 2 1/2 - 4 veces el vataje mencionado para arrancar al equipo.**
4. La potencia de arranque/sobretensión y funcionamiento debe equipararse o sobrepasar la cantidad total de Watts que requiere el equipo que usted desea hacer funcionar.
  5. Siempre conecte la carga más grande primero, y luego agregue los demás artículos uno por vez.
  6. Los electrodomésticos o herramientas impulsadas por motores requieren más potencia que lo especificado para arrancar.

## EL REQUERIMIENTO DE VOLTAJE



**PRECAUCION:** El requerimiento de voltaje y frecuencia operativa de todos los equipos electrónicos debe comprobarse antes de enchufarlos a este generador. Pueden ocurrir daños si el equipo no está diseñado para operar dentro de una variación de voltaje de +/-10% y una variación de frecuencia de +/-3 hz de los valores nominales que aparecen en la placa de identificación del generador. A fin de evitar daños, siempre tenga una carga adicional enchufada al generador en caso de usarse equipos de estado sólido (tales como un aparato de televisión). También podría resultar necesario un acondicionador de la línea eléctrica para algunas aplicaciones; por ejemplo, con una computadora. También podría resultar necesario un acondicionador de la línea eléctrica para algunas aplicaciones de equipo de estado sólido.

El ejemplo típico de equipo de estado sólido incluir:

- Abiertas de entradas para de cochera
- Aparatos de cocina con visualizaciones digital
- Televisiones
- Estéreos
- Computadoras personal
- Relojes de cuarzo
- Fotocopiadoras
- Equipo telefónico

Para más información, comuníquese con nuestro Departamento de Service al Cliente al 1-308-237-2181.

## ANTES DE LA OPERACION

### PUESTA A TIERRA DEL GENERADOR

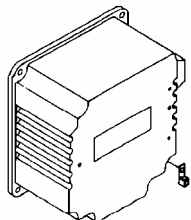
Asegúrese de que el generador esté conectado a tierra para evitar un choque eléctrico accidental. Se ha provisto un terminal de tierra para este propósito. Conecte una porción de cable de calibre pesado entre el terminal de tierra del generador y una fuente externa de tierra, tal como una cañería de agua o una varilla de cobre introducida en la tierra.



**ADVERTENCIA:** No use una cañería que conduzca materiales combustibles como fuente de conexión a tierra.

### LUBRICACION

**NO** intente arrancar este motor sin llenar el cárter con la cantidad y el tipo de aceite adecuados. (Consulte el manual adjunto del motor para conocer esta información.) Su generador ha sido enviado de fábrica sin aceite en el cárter. El operar la unidad sin aceite puede arruinar el motor.



Terminal de descarga a tierra

## COMBUSTIBLE

Llene el tanque con gasolina para automóviles sin plomo, limpia y fresca. Puede usarse gasolina de grado regular siempre y cuando se obtenga un alto valor del octanaje (por lo menos 85 de octanaje de la bomba).



**PRECAUCION:** No llene demasiado el tanque. Mantenga un nivel máximo de combustible a 1/4 de pulgada por debajo de la parte superior del tanque de combustible. Esto permitirá la expansión durante el clima cálido, evitando así el derrame.



**ADVERTENCIA:** La gasolina es muy peligrosa. Pueden resultar lesiones muy graves en caso de ocurrir un incendio provocado por el contacto de la gasolina con superficies calientes.

1. No llene el tanque de combustible con el motor en marcha.
2. No derrame combustible al volver a llenar el tanque.
3. No mezcle aceite con la gasolina.

## PREPARACION ANTES DE ARRANCAR

Antes de arrancar el generador, verifique si hay piezas sueltas o faltantes y si hay cualquier tipo de daño que podría haber ocurrido durante el envío.



**ADVERTENCIA:** Este generador no debe operarse sin tener colocados todos los escudos de calor instalados en fábrica. El no hacer esto podría causar el recalentamiento del tanque de combustible, ocurriendo lesiones personales por el incendio resultante.

## ARRANQUE DEL MOTOR

1. Controle el nivel de aceite y combustible.
2. Desconecte todas las cargas eléctricas de la unidad.
3. Abra la válvula de cierre de combustible si tiene.
4. Regule el cebador si hace falta.
5. Coloque el llave del motor en posición de "ON".
6. Jale la soga del arrancador de un tirón rápido y parejo. Mientras se calienta el motor, vuelva a regular el cebador. En los modelos de encendido eléctrico, oprima el botón colocado sobre la cabeza del generador o haga girar la llave a la posición "START" según el modelo. Suelte la llave después que arranque el motor.



**ADVERTENCIA:** Debe suministrar una ventilación adecuada para los gases tóxicos de escape y el flujo de aire refrigerante.

## PROCEDIMIENTO DE ARRANQUE INICIAL

Un procedimiento de arranque inicial controlado ayuda a asegurar una operación correcta del motor y del generador. Siga el procedimiento para el motor descrita en el manual del motor.



**PRECAUCION:** No aplique una carga eléctrica fuerte durante el periodo inicial de funcionamiento (las primeras dos o tres horas de operación).



**PRECAUCION:** Permita que funcione el generador sin carga durante cinco minutos después de cada arranque inicial para permitir que se estabilicen el motor y el generador.

## APAGADO DEL GENERADOR

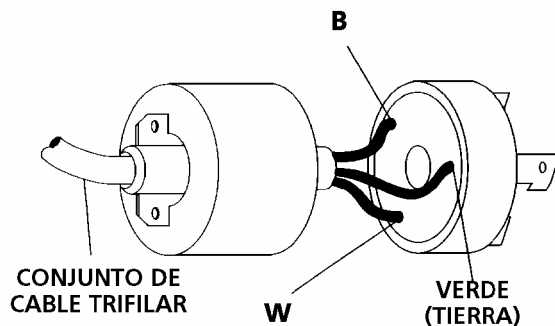
1. Retire toda la carga eléctrica.
2. Deje que el motor corra por unos minutos sin carga.
3. Mueva la llave del motor a la posición "OFF". (Haga girar la llave a "OFF" en los modelos de encendido eléctrico).
4. No abandone el generador hasta que se haya detenido por completo.
5. Cierre la válvula de paso del combustible si el motor debe colocarse en depósito o transportarse.
6. Si le coloca una cubierta, no la instale hasta que la unidad no se haya enfriado.

## CONEXIONES DEL CABLE

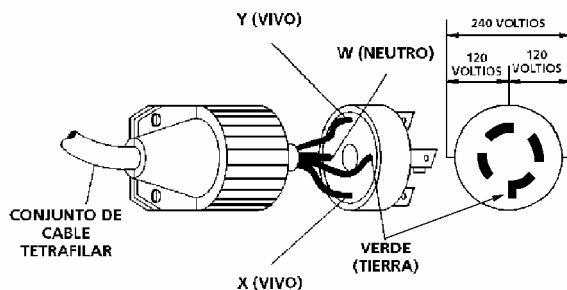
Consulte el diagrama correspondiente para ver la conexión correcta de los cables eléctrico en las terminales del enchufe.



**PRECAUCION:** Asegúrese de que el cable usado tenga un buen aislamiento y valores nominales que coincidan con el enchufe.

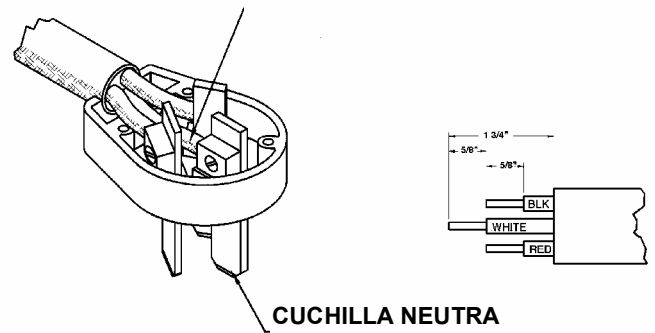


Enchufe de 120 voltios y 30 amperios



Enchufe de 120/240 voltios, 20 y 30 amperios

## WHT PLOMO



Enchufe de 240 voltios y 50 amperios

## COMO APLICAR UNA CARGA

Esta unidad ha sido previamente verificada y ajustada para manejar su capacidad máxima. Al arrancar el generador, desconecte todas las cargas. Aplique la carga solamente después de que el generador esté funcionando. El voltaje se regula por medio de la velocidad del motor ajustada en fábrica para la salida correcta. No se recomienda volver a ajustar este valor.



**PRECAUCION:** Al aplicar una carga, no exceda el vataje nominal máximo del generador al usar uno o más receptáculos. Además no exceda el amperaje nominal de ningún receptáculo individual.

## CARACTERÍSTICAS PRINCIPALES

### A. Receptáculo dúplex de 120 voltios

Este dúplex está partido de modo que puedan extraerse 15/20 amp de corriente desde cada mitad del receptáculo. Sin embargo, la potencia total extraída debe mantenerse dentro de los valores nominales de la placa de identificación. Estos receptáculos pueden usarse junto con el receptáculo de cierre giratorio siempre y cuando el generador no esté sobrecargado.

### B. Receptáculo de cierre giratorio de 120 voltios

Puede extraerse un máximo de 30 amp o 3600 vatios desde este receptáculo. Si se utilizan otros receptáculos al mismo tiempo, la potencia total usada debe mantenerse dentro de los valores nominales de la placa de identificación.

### C. Receptáculo de cierre giratorio de 120/240 voltios

Puede extraerse un máximo de 20 amp desde el receptáculo de 120/240 voltios según el modelo, y siempre y cuando sea el único receptáculo usado. Sin embargo, la corriente debe limitarse al valor nominal de la placa de identificación. Si se utiliza un receptáculo de 120/240 voltios junto con los receptáculos de 120 voltios, la carga total extraída no debe exceder los valores nominales de la placa de identificación.

**D. Interruptor**

Los tomacorriente se protegen por medio de un interruptor AC. (Vea Protección del circuito)

**E. Llave de mando de marcha en vacío**

Algunos modelos se quipan con una llave de mando de marcha en vacío. (Ver Control de la marcha en vacío)

**F. Receptáculo de cierre giratorio de 120/240 voltios**

Puede extraerse un máximo de 30 amp desde el receptáculo de 120/240 voltios según el modelo, y siempre y cuando sea el único receptáculo usado. Sin embargo, la corriente debe limitarse al valor nominal de la placa de identificación. Si se utiliza un receptáculo de 120/240 voltios junto con los receptáculos de 120 voltios, la carga total extraída no debe exceder los valores nominales de la placa de identificación.

**H. Tomacorriente DC 12 V, 15 Amperios**

Algunos modelos se quipan con un cargador de baterías. (Vea Características DC)

**I. Tomacorriente GFCI de 120 Voltios**

El tomacorriente doble del interruptor accionado por corriente de pérdida a tierra tiene una especificación tal que se puede tomar un total de 20 amperios indiferentemente a si se utilizan los dos medios o sólo un tomacorriente. Este tomacorriente puede utilizarse al mismo tiempo que los otros tomas siempre y cuando no se sobrecargue el generador y que el total de la corriente tomada se mantenga dentro de las especificaciones de la placa de identificación.

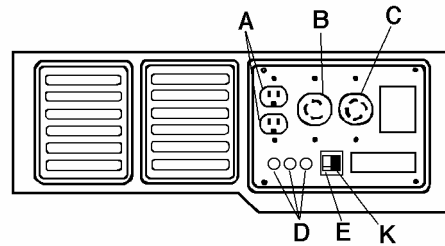
**Interruptor de corriente de pérdida a tierra**

(Se ajusta a los requisitos de U.L. 93, Clase A y NEC) Este dispositivo lo protege contra una sacudida eléctrica peligrosa que puede causarse cuando su cuerpo se convierte en una senda por la cual la electricidad viaja para alcanzar la tierra. Esto puede ocurrir cuando usted toca un artefacto o cable que está activo, debido a un mecanismo defectuoso, aislación húmeda o gastada, etc.

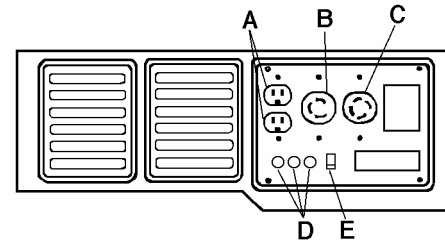
**J. Tomacorriente reforzado de 240 voltios**

Este tomacorriente se clasifica como 50 amperios pero se debe limitar la corriente a las especificaciones de la placa de identificación. Si se utiliza este tomacorriente con un tomacorriente de 120 voltios, el total de la carga tomada no debe exceder las especificaciones de la placa de identificación.

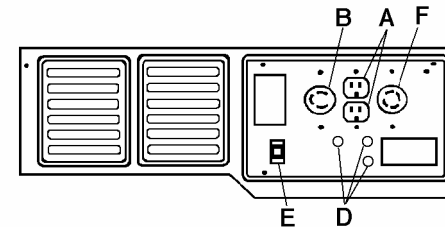
**K. El comienzo de motor/ interruptor de parada**



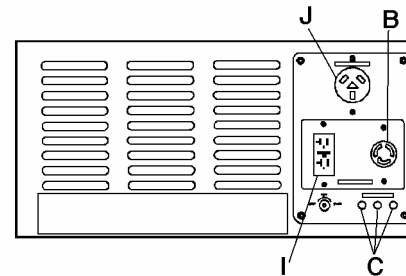
Panel de control de PM0474203



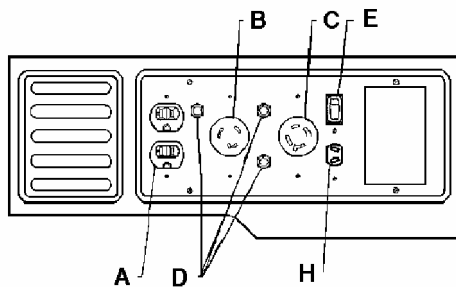
Panel de control de PM0475003; PC0475003



Panel de control de PM0477022; PM0477023; PC0477023



Panel de control de PM0478022



Panel de control de PM0473503; PL0473503; PC0473503

## PROTECCION DEL CIRCUITO CARACTERÍSTICAS CA

Los receptáculos se protegen mediante un cortacircuitos de CA. Si se sobrecarga el generador u ocurre un cortocircuito externo, el cortacircuitos saltará. Si esto ocurre, desconecte todas las cargas eléctricas y trate de determinar la causa del problema antes de tratar de usar el generador nuevamente. Si la sobrecarga causa que salte el cortacircuitos, reduzca la carga. **NOTA: Si salta continuamente el cortacircuitos, se podría dañar el generador o el equipo.** El cortacircuitos puede restaurarse pulsando el botón del cortacircuitos.

## CARACTERÍSTICAS CC

### (Modelo cargador de la batería)

Los generadores de la contienen un circuito adicional utilizado para propósitos de carga de las baterías. Se proporciona un receptáculo de CC de dos espigas en el panel de control. Se ha suministrado un cable cargador de la batería equipado con un enchufe correspondiente para este receptáculo.

El cargador de la batería en este generador se conoce como un cargador ahusado no regulado - el de uso más amplio en el mercado actual. La cantidad de flujo de corriente dependerá del voltaje de carga y del estado de carga de la batería. Al disminuir la corriente de salida de carga a la batería, la corriente de salida a la batería aumenta y se hace casi constante. Los cargadores ahusados sirven para ser usados siempre y cuando se los desconecte de la batería después de un tiempo máximo de carga. Normalmente un período de 30 a 120 minutos es suficiente para volver a cargar una batería débil.



**PRECAUCION:** Este sistema de carga de la batería sirve para volver a cargar las baterías débiles, y no para “arrancar por refuerzo” los vehículos.

**NOTA:** Cuando el circuito cargador de la batería está en uso, la capacidad de CA se reduce en 180 vatios. Asegúrese de que la carga combinada esté dentro de los límites nominales.

Antes de cargar una batería de almacenaje, verifique el nivel de fluido electrolítico en todas las células. (Las baterías selladas no requieren esta verificación.) Agregue agua destilada a cada célula, si fuera necesario, para traer el nivel hasta el valor requerido por el fabricante.



**ADVERTENCIA:** Las baterías de almacenaje emiten gas hidrógeno **EXPLOSIVO** al estar en carga. No permita que se fume ni la existencia de llamas abiertas, chispas o equipos que produzcan chispas en la zona al estar en carga.

Conecte la grapa roja a la terminal positiva de la batería. Conecte la grapa negra a la terminal negativa de la batería. Inserte el enchufe de CC en el receptáculo de CC del generador. Una vez que la batería esté completamente cargada, retire el cable cargador de la batería del generador y luego desconéctelo de las espigas de la batería.



**ADVERTENCIA:** El fluido electrolítico de la batería está compuesto de ácido sulfúrico que puede ser muy peligroso y causar quemaduras graves. No permita que este fluido entre en contacto con los ojos, la piel, la ropa, etc. En caso de ocurrir un contacto o un derrame, enjuague la zona con agua inmediatamente.

## CORTACIRCUITOS DE CC:

La corriente máxima disponible del circuito cargador de la batería es de 15 amp. Se ha provisto un cortacircuitos de CC automático para proteger el circuito contra sobrecarga y asegurar que la batería pueda cargarse. En caso de ocurrir una sobrecarga, saltará el cortacircuitos. Después de enfriarse, se repondrá automáticamente. La velocidad máxima de carga de la batería con el tiempo se reducirá a menos de 15 amp y luego a cero al acercarse la batería a un estado de carga del 100 por ciento.

## DETENCION POR POCA CANTIDAD DE ACEITE

Algunas unidades vienen equipadas con un dispositivo de detención por poca cantidad de aceite. Inicialmente, si el nivel de aceite es menor que el requerido, el equipo generador se apagará automáticamente. Esto protege su equipo generador de operar sin la lubricación adecuada.

Si se apaga el generador y el nivel de aceite se encuentra dentro de las especificaciones, verifique que el generador no esté colocado a un ángulo que obliga que el aceite varíe su nivel. Colóquelo sobre una superficie pareja para corregir este problema. Si el motor no arranca, el nivel de aceite podría no ser el suficiente como para desactivar el interruptor de bajo nivel de aceite. Asegúrese de que el sumidero esté totalmente lleno de aceite.

**Nota:** en el Modelos PM0477023 y PC0477023 deberá hacer arrancar el motor durante 1-2 segundos para crear suficiente presión para abrir el interruptor de cierre.

## SERVICIO POCO FRECUENTE

Si la unidad no se utiliza frecuentemente, podrían ocurrir dificultades al arrancar. Para eliminar estos problemas, haga funcionar el generador por lo menos 30 minutos todas las semanas. Además, si la unidad no será usada durante algún tiempo, es una buena idea desagotar el combustible del carburador y del tanque de gasolina.

## ALMACENAMIENTO A LARGO PLAZO

Cuando el equipo generador no se está operando o está almacenado durante más de un mes, siga las instrucciones siguientes:

1. Vuelva a llenar de aceite el motor hasta su nivel superior.
2. Desagote la gasolina del tanque de combustible, la línea de combustible, la válvula de combustible y el carburador.
3. Vierta alrededor de una cucharadita de aceite para motores a través del orificio de la bujía, tire del arrancador de reacción varias veces y reemplace la bujía. Luego tire del arrancador hasta que sienta que el pistón está en su carrera de compresión y déjelo en esta posición. Esto cierra las válvulas de entrada y escape para evitar que el interior del cilindro se oxide.
4. Cubra la unidad y almacénela en un lugar limpio y seco que esté bien ventilado, alejado de la llama abierta y de las chispas.

**NOTA:** El uso de aditivos para combustibles, tales como STA-BIL (R) u otros equivalentes, minimizará la formación de depósitos de goma de combustible durante el almacenamiento. Este aditivo puede agregarse a la gasolina en el tanque de combustible del motor o agregarse a la gasolina en un recipiente de almacenamiento.

## INSTALACION



**⚠ ADVERTENCIA:** Para evitar posibles lesiones físicas o daños materiales, es necesario que la instalación y todo el servicio sea realizado por un electricista matriculado o representante de servicio autorizado. Bajo ninguna circunstancia debe permitirse que una persona que no está capacitada trate de manipular cables dentro del circuito de utilidad.

Para evitar la retro-alimentación a los sistemas de suministro, se requiere el aislamiento del sistema eléctrico residencial.

Antes de la conexión temporal del generador al sistema eléctrico residencial, apague el interruptor principal.

Si el generador va a usarse como fuente de energía de reserva en caso de un fallo del suministro eléctrico, debe ser instalado por un electricista certificado, de acuerdo con todos los códigos eléctricos locales aplicables.

El uso apropiado requiere la instalación de un interruptor de transferencia de dos vías por un electricista capacitado y certificado para asegurar de que los circuitos eléctricos del edificio puedan ser conmutados con seguridad entre el suministro eléctrico y la salida del generador, evitando de este modo la retroalimentación hacia el sistema de suministro eléctrico.

**⚠ ADVERTENCIA:** Para evitar la retroalimentación hacia los sistemas de suministro eléctrico, se requiere el aislamiento del sistema eléctrico residencial. Antes de realizar la conexión temporal del generador al sistema eléctrico residencial, apague el interruptor principal. Antes de hacer las conexiones permanentes, debe instalarse un interruptor de transferencia de dos vías. Para evitar la electrocución o daños a la propiedad, sólo debe ser un electricista adiestrado el que conecta el generador al sistema eléctrico residencial. Las leyes de California requieren el aislamiento del sistema eléctrico residencial antes de conectar un generador a los sistemas eléctricos residenciales.



## CABLEADO DE ARRANQUE ELECTRICICO

Si su generador está equipado con encendido eléctrico, remítase a uno de los diagramas de cableado en las páginas siguientes.

### FIGURA A (Página 31)

Se provee de una llave giratoria "Off-On-Start" en el panel trasero en algunos modelos. Se provee de todos los cables necesarios. La batería es provista por el cliente. El cable de alambre de cobre #8 AWG (American Copper Wire Gauge) con terminales anillados simplifica el sistema de colocación de batería. Conecte el terminal enganchado en el chasis al terminal negativo (-) y el terminal del solenoide del arrancador al terminal de batería positivo (+) con los pernos, arandelas y tuercas apropiadas. El cable anaranjado conectado al solenoide y al terminal de batería positivo (+) provee una carga de batería de hasta 16 amperes.

Su motor está equipado con un sistema de carga lenta. El cable rojo de 14 AWG (American Wire Gauge) que viene del motor debería estar conectado al terminal de batería positivo (ver manual del operador del motor).

### FIGURA B (Página 31)

Se provee de una llave giratoria "Off-On-Start" en el panel de control en otros modelos. Se provee de todos los cables necesarios. La batería es provista por el cliente. El led de alambre de cobre No. 8 AWG (American Wire Gauge) con terminales anillados simplifica mucho la instalación de la batería. Conecte el terminal enganchado en el chasis al terminal negativo (-) y el terminal del solenoide del arrancador al terminal de batería positivo (+) con los pernos, arandelas y tuercas apropiadas.



**⚠ ADVERTENCIA:** Las baterías contienen ácido sulfúrico (cuando están llenas). Pueden contener gases explosivos. Siempre deben cumplirse las advertencias de seguridad provistas con la batería.

- Mantenga alejadas las chispas, la llama y los cigarrillos.
- El gas hidrógeno se genera durante la carga y la descarga.
- Siempre proteja los ojos, la piel y la ropa al trabajar cerca de las baterías.

## DIAGRAMA DE CABLEADO BASICO

Modelos de encendido eléctrico (Modelos con llave en el motor)

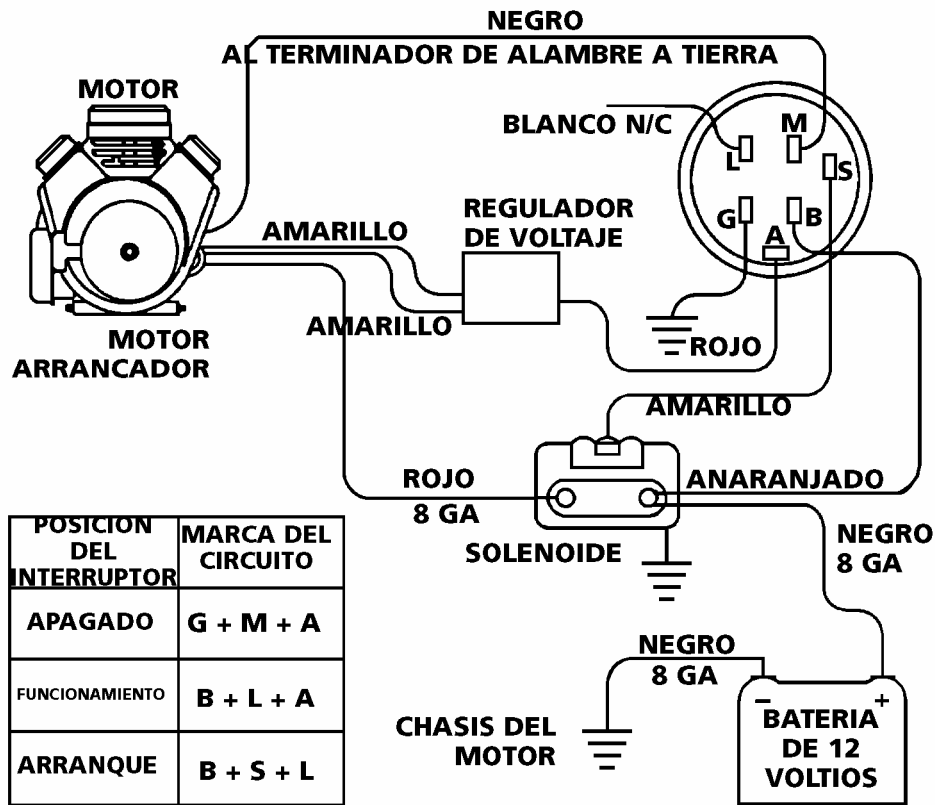


FIGURA A

## DIAGRAMA DE CABLEADO BASICO

Modelos de encendido eléctrico (Modelos con llave en el panel de control)

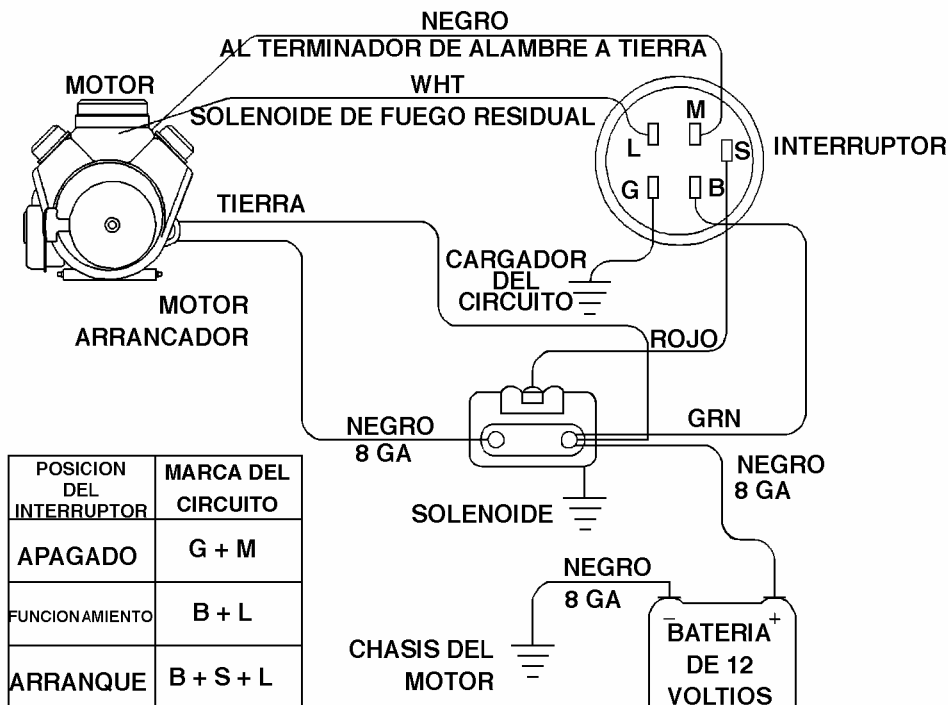


FIGURA B

## FUNCIONAMIENTO DE CONTROL EN VACIO

Puesto que este circuito utiliza un electroimán para hacer funcionar el brazo gobernador en lugar de un arreglo de solenoide y pistón, no es tan susceptible al aceite, la grasa y la suciedad.

El circuito de control en vacío está diseñado para extender la vida útil y mejorar el uso de combustible, retardando el motor hasta aproximadamente 2000 RPM en condiciones “sin carga”. El ruido también se reduce mucho en estas condiciones.

Cuando se requiere potencia desde el generador, un módulo de control electrónico automático detecta el flujo de corriente en el tomacorriente eléctrico y permite que el motor vuelva a plena velocidad o a condiciones de funcionamiento estándar. Del mismo modo, cuando se retira la carga, el generador automáticamente regresará a la condición de marcha en vacío después de un retardo de 4 a 5 segundos.

Se monta un práctico interruptor en el panel de control para lograr un acceso sencillo, el cual desactivará los circuitos de control en vacío al estar en la posición de apagado.

## DETECCION DE FALLOS DE CONTROL EN VACIO

PROBLEMA	CAUSA POSIBLE	CORRECCIÓN
<b>La unidad no funciona en vacío</b>	El interruptor del panel de control no está encendido	Colocar el interruptor de vacío en la posición de encendido
	La carga está conectada en el receptáculo	Desenchufar la carga
	Mala conexión o cable defectuoso	Verificar y reparar
	Módulo IC defectuoso electroimán defectuoso estator defectuoso	Sustituir Consultar con el distribuidor
<b>La unidad funciona en vacío incluso con una carga conectada</b>	La carga no es lo suficientemente pesada	Colocar el interruptor de vacío en la posición de apagado
		Aumentar la carga
	Módulo IC defectuoso	Sustituir
		Consultar con el distribuidor
<b>La unidad trata de funcionar en vacío pero no permanece conectada</b>	Posición incorrecta del electroimán	Restaurar la posición del imán para velocidad en vacío de 2000 RPM
		Consultar con el distribuidor
	Soporte de chapaleta suelto o doblado	Apretar o enderezar
	Sustituir la chapaleta	Reajustar a 2000 RPM
		Consultar con el distribuidor
	El motor no funciona de manera pareja	Ajustar carburador
Consultar con el distribuidor		



## MANTENIMIENTO

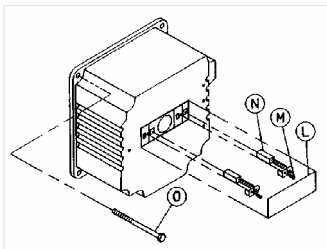
### GENERADOR: Escobillas

Las escobillas del generador deben ser inspeccionadas una vez por año para verificar que no estén rajadas o resquebrajadas. Las escobillas debe ser reemplazadas cuando las mismas se desgastan hasta un espesor de 1/4 de pulgada (7 mm).

**NOTA: Reemplace las escobillas en conjunto, nunca de manera separada.**

### PARA REVISAR LAS ESCOBILLAS:

1. Retire la placa de la cubierta (L).
2. Retire los 4 pernos del estator (O) y la placa lateral.
3. Desconecte, desde la aleta, el cable verde (-) o el cable azul (+) de las escobillas.
4. Retire los tornillos de montaje de las escobillas (M).
5. Deslice las escobillas (N) para retirarlas de los soportes.
6. Reemplace las escobillas si están gastadas en 1/4 de pulgada (7 mm).
7. No apriete demasiado los tornillos.



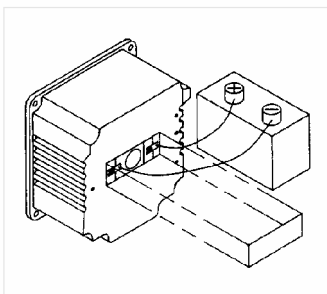
**NOTA: Reemplace sólo por las escobillas especificadas en la lista de piezas. Otras escobillas pueden parecer idénticas pero podrían tener características mecánicas y eléctricas completamente diferentes.**

### EXCITACION DEL GENERADOR:

**NOTA: Si su generador es una unidad sin cepillo sírvase comunicarse con su centro de servicio local o el Departamento Coleman Powermate para solicitar asistencia con el encendido de su generador.**

Si hay una pérdida del magnetismo residual (no se podrá acumular voltaje), podría resultar necesario volver a excitar la unidad.

1. Utilice una batería de 6 voltios para linternas (célula seca).
2. Retire la cubierta de las escobillas.
3. Arranque el motor sin ninguna carga conectada al generador.
4. Conecte la derivación "-" de la batería a la escobilla negativa. Muy brevemente toque la derivación "+" de la batería a la escobilla positiva tal como se muestra. Retire tan pronto como comience a aumentar el voltaje. (Para medir el voltaje, utilice un voltímetro enchufable en caso de que la unidad no tuviera uno.)



### ESCUDO DE CALOR:

Inspecciónelo para asegurarse de que todos los escudos de calor y los deflectores de calor estén intactos y en su lugar.

### MOTOR: Congelamiento del carburador

Durante los meses de invierno, podrían desarrollarse condiciones atmosféricas extrañas que causarían una condición de congelamiento en el carburador. Si esto ocurre, el motor podría funcionar mal, perder potencia y detenerse. Esta condición temporal puede solucionarse introduciendo un poco del aire caliente desde el motor hacia la zona del carburador.

**NOTA: Consulte el manual del fabricante del motor para el servicio y mantenimiento del motor.**

## SERVICIO AL CLIENTE

### COMUNIQUESE CON EL DEPARTAMENTO DE SERVICIO AL CLIENTE

### DE COLEMAN POWERMATE AL

**(308) 237-2181**

### PARA CONOCER EL CENTRO DE SERVICIO AUTORIZADO MAS CERCANO A SU UBICACION.

### COMO PEDIR LOS REPUESTOS

Aun equipos fabricados con calidad tales como el generador eléctrico Coleman Powermate que usted ha adquirido podrían requerir repuestos ocasionales para mantenerlos en buenas condiciones a través de los años. Para pedir repuestos, por favor proporcione la información siguiente:

1. No. de modelo y No. de serie y todas las especificaciones que aparecen en la placa del No. de modelo/No. de serie.
2. Número o números de piezas, tal como aparecen en la lista de repuestos.
3. Una breve descripción del problema con el generador.

**NOTA: Si se requieren repuestos para el motor, comuníquese con uno de los centros de servicio del fabricante del motor.**

**Coleman Powermate, Inc.  
4970 Airport Road  
P. O. Box 6001  
Kearney, NE 68848**

## **GARANTIA LIMITADA (NO ES VALIDA EN MEXICO)**

Este producto está garantizado por Coleman Powermate, Inc. al consumidor minorista original con respecto a defectos en los materiales y la mano de obra durante un período de dos (2) años es válida solamente para los productos usados en aplicaciones para el consumidor. En caso de usarse un generador de otra serie en una aplicación comercial, entonces el período de cobertura de la garantía estará limitado a un (1) año a partir de la fecha de compra.

Favor de completar y devolver la Tarjeta de Información del Cliente para que podamos comunicarnos con usted en el caso poco probable en que debamos recuperar el equipo por razones de seguridad. No se requiere devolver esta tarjeta para que la garantía sea válida.

**LO QUE ESTA CUBIERTO:** Repuestos y mano de obra.

**LO QUE NO ESTA CUBIERTO:** Los gastos de transporte a Coleman Powermate, Inc. en el caso de productos defectuosos. Los gastos de transporte al consumidor de los productos reparados. Las escobillas, los fusibles, los pies de caucho y los receptáculos. Los daños causados por abuso, accidente, reparación incorrecta o por no realizar el mantenimiento normal. Las unidades de energía o motores que están cubiertos exclusivamente por las garantías de su fabricante. Las ventas fuera de los Estados Unidos, Canadá y México. Cualquier otro gasto incluyendo daños emergentes, daños o gastos incidentales, incluyendo daños a la propiedad. Algunos estados no permiten la exclusión o limitación de daños incidentales o emergentes, de modo que la limitación o exclusión anterior podría no ser aplicable en su caso particular.

**GARANTÍAS IMPLÍCITAS:** Cualquier garantía implícita, inclusive las Garantías Implícitas de Comercialización y Adecuación para un Objetivo en Particular, se limitan a un (1) año de duración a partir de la fecha de compra. Algunos estados no permiten limitaciones en cuanto al tiempo de curación de las garantías implícitas, por lo tanto las limitaciones de más arriba tal vez no se apliquen a su caso.

**COMO OBTENER SERVICIO A TRAVES DE LA GARANTIA:** Un reemplazo de partes y servicio son disponible de Centros de Servicio de Coleman Powermate, Inc. Localice sus centro de servicio más cercano llamando al 1-308-237-2181. En caso improbable un Centro de Servicio pero no es posible estar localizado, llame Coleman Powermate, Inc. for un número de autorización de devolución. No se admitirá ningún producto devuelto Sin un número de autorización de devolución.

Hasta el punto en que cualquier disposición de esta garantía esté prohibido por las leyes federales, estatales o municipales y no pueda tener prioridad, no será aplicable. Esta garantía le otorga ciertos derechos específicos y quizás también tenga otros derechos que varían de un estado a otro.

## VANTAGE SERIES PARTS LIST

REF. NO.	PART NO.	DESCRIPTION	PM0473503	PL0473503	PC0473503	PM0474203	PM0475003	PC0475003	PM0477022	PM0477023	PC0477023	PM0478022
1	Note A	Engine, 5.5 hp Vanguard, OHV	1	1	1							
1	Note A	Engine, 8 hp Robin, OHV				1						
1	Note A	Engine, 9 hp Vanguard, OHV					1	1				
1	Note A	Engine, 14 hp Vanguard, V-Twin OHV							1	1	1	
1	Note A	Engine, 18 hp, Opposed-Twin										1
2	0048685.01	Adapter, engine	1	1	1							
2	0050236.01	Adapter, engine				1	1	1	1	1	1	1
3	0000901.01	Bolt, wz 5/16-24 x 5/8	4	4	4							
3	0000919.01	Bolt, wz 3/8-16 x 3/4				4	4	4	4	4	4	4
4	0051874	Rotor, 3.0 KW RF 5	1	1	1							
4	0049620	Rotor, 5.0 KW RF 5				1	1	1				
4	0049623	Rotor, 7 KW B/S RF 5							1	1	1	
4	0052293	Rotor, 8 KW, 60 HZ										1
5	Note B	Washer, lock 5/16	3	3	3	4	4	4	3	3	3	5
6	0035055	Bolt, hex 5/16-24 x 6 5/8	1	1	1	1	1	1				
6	0046540.03	Bolt, hex 5/16-24 x 9							1	1	1	
6	0052297	Bolt, hex 5/16-24 x 9 1/4										1
7	0051871	Stator, 3.0 KW, 60 HZ	1	1								
7	0051928	Stator, 3.0 KW, 60 HZ, CSA			1							
7	0055669	Stator, 4.2 KW, 60 HZ				1						
7	0050299	Stator, 5.0 KW, 60 HZ, I.C.					1					
7	0050517	Stator, 5.0 KW, 60 HZ, CSA						1				
7	0050350	Stator, 7.0 KW, 60 HZ							1			
7	0050436	Stator, 7.0 KW, 60 HZ, I.C.								1		
7	0050950	Stator, 7.0 KW, 60 HZ, CSA									1	
7	0053057	Stator, 8.0 KW, 60 HZ										1
8	0049835	Connector, hsg. set, endbell	1	1	1	1	1	1	1	1	1	1
9	0049200	Connector, hsg. set, panel	1	1	1	1	1	1				
9	0050400	Connector, hsg. set, panel							1	1	1	1
10	0050237.01	Endbell, wired	1	1			1		1	1		1
10	0050511.02	Endbell, wired CSA			1	1		1			1	
10A	0050439	Brush, E-4R	2	2	2	2	2	2	2	2	2	2
10B	0035188	Bearing, needle FTT-1212	1	1	1	1	1	1	1	1	1	1
10C	0034819.01	Capacitor	1	1	1	1	1	1	1	1	1	1
10D	0034843	Diode	2	2	2	2	2	2	2	2	2	
10D	0006296	Diode Assembly										2
10E	0038976	Heat sink, diode	1	1	1	1	1	1	1	1	1	1
10F	0048844	Brush cover	1	1	1	1	1	1	1	1	1	1
11	0051872	Bolt, hex hd 1/4-20 x 4 1/2	4	4	4							
11	0040816	Bolt, hex hd 1/4-20 x 6				4	4	4				
11	0035170	Bolt, hex hd 1/4-20 x 8							4	4	4	4
12	0008854	Lug, ground	1	1	1	1	1	1	1	1	1	1
13	Note B	Washer, flat 1/4	7	7	7	7	7	7	11	11	11	13
14	Note B	Washer, star external 1/4	1	1	1	1	1	1	1	1	1	1
15	0040832	Nut, nyloc 1/4-20	12	12	12	13	12	12	14	14	17	20
16	0051680	Carrier, assembly, full	1	1	1							
16	0055658	Carrier, assembly, full				1						
16	0051756	Carrier, assembly, full					1	1				
16	0050345	Carrier, assembly, full							1	1	1	
16	0053056	Carrier, assembly, full										1
17	0048837	Cap, plastic	4	4	4		4	4	4	4	4	4
19	0052185	Isolator, engine	2	2	2		2					
19	0051094	Isolator, engine				2			2	2	2	4
20	0051094	Isolator, stator	2	2	2	2			2	2	2	1
20	0052210	Isolator, stator					2	2				
21	0050134	Bracket, stator	1	1	1	1						
21	0049693	Bracket, stator					1	1	1	1	1	
21	0048866	Bracket, stator										1

REF. NO.	PART NO.	DESCRIPTION	PM0473503	PL0473503	PC0473503	PM0474203	PM0475003	PC0475003	PM0477022	PM0477023	PC0477023	PM0478022
22	0049279	Bolt, wz 5/16-18 x 1/2	2	2	2	2	1	1	3	3	3	1
23	0048736	Nut, nyloc 5/16-18	7	7	7	5	9	9	6	6	6	6
24	0050346	Panel, end 47-7							1	1	1	
24	0053019	Panel, end 47-8										1
25	Note B	Washer, flat 5/16	9	9	9	10	15	15	11	11	9	10
26	Note B	Bolt, 5/16-18 x 1 1/2	1	1	1	3	1	1	2	2	3	
26	Note B	Bolt, 5/16-18 x 1 1/4										4
27	0050334	Bracket, stator support							1	1	1	
27	0055620	Washer, .42 x 1.5 x .25										2
28	0049224	Assembly, ground wire	1	1	1	1	1	1	1	1	1	1
29	Note B	Washer, star external 5/16	2	2	2	3	2	2	3	3	4	3
30	Note B	Bolt, hex 5/16-18 x 3/4	1	1	1	1	1	1	1	1	1	
30	Note B	Bolt, hex 5/16-18 x 1										2
31	Note B	Bolt, whz 5/16-18 x 1	1	1	1							
31	Note B	Bolt, hex 1/4-20 x 1 1/2				1						
31	Note B	Bolt, hex 5/16-18 x 2 1/4					1	1				
32	0048586	Spacer, 7/16	1	1	1							
32	0047796	Spacer, 3/4				1	2	2				
32	Note B	Screw, 10-32 x 1/2							1	1	1	
33	Note B	Washer, star no. 10							1	5	5	
34	0055181	Shield, heat	1	1	1							
34	0051537.01	Shield, heat				1						
34	0051821.01	Shield, heat					1	1				
35	0050333	Assembly, deflector							1			
35	0050431	Assembly, deflector, I.C.								1	1	
35	0052158	Deflector, heat										1
36	Note C	Fuel tank assembly	1	1	1	1	1	1	1	1	1	1
36A	0055340	Cap, fuel	1	1	1	1	1	1	1	1	1	1
36B	0049842	Fuel valve with bushing	1	1	1							
36B	0051367	Fuel valve with bushing					1	1				
36B	0049114	Fuel valve with bushing				1			1	1	1	1
37	0049920	Fuel, shut-off, in line	1	1	1		1	1				
37	0047790	Fuel filter							1	1	1	1
37A	0051102	Fuel filter	1	1	1							
38	0048243	Bushing, step	4	4	4	4	4	4	4	4	4	4
40	0051745	Panel, wired complete 47-3.5	1									
40	0052308	Panel, wired complete LA		1								
40	0051982	Panel, wired complete CSA			1							
40	0055663	Panel, wired complete 47-4.2				1						
40	0051823	Panel, wired complete 47-5					1					
40	0050518.03	Panel, wired complete CSA						1				
40	0050336	Panel, wired complete 47-7							1			
40	0050435.01	Panel, wired complete 47-7								1		
40	0051288	Panel, wired complete CSA									1	
40	0052930	Panel, wired complete 47-8										1
40A	0049070	Circuit breaker, 15 amp	2	2								
40A	0048067	Circuit breaker, 15 amp			2						1	
40A	0049071	Circuit breaker, 20 amp							1	1		1
40A	0049072	Circuit breaker, 25 amp					2					
40A	0051763	Circuit breaker, 20 amp				2		2				
40B	0049382	Circuit breaker, 30 amp	1		1	1		1			2	
40B	0048337	Circuit breaker, 35 amp					1		2	2		2
40C	0050298	Switch	1	1	1		1	1				
40C	0049248	Switch, dual rocker				1						
40C	0047776	Switch w/light								1	1	
40C	0036137	Switch, rotor, key										1
40D	0048900	Strain relief										1
40F	0050625.01	Module, idle control	1	1	1	1	1	1		1	1	
40G	0006667	Assembly, I/C wires	1	1	1							
40G	0055672	Assembly, I/C wires				1						

REF. NO.	PART NO.	DESCRIPTION	PM0473503	PL0473503	PC0473503	PM0474203	PM0475003	PC0475003	PM0477022	PM0477023	PC0477023	PM0478022
40G	0006650	Assembly, I/C wires					1	1				
40G	0006510	Assembly, I/C wires								1	1	
41	0050426	Solenoid								1	1	
42	0050425	Wire, solenoid								1	1	
44	Note B	Screw 8-32 x 3/8								4	4	
54	0050941	Bracket, muffler					1	1				
55	0051879	Muffler, 5.5 hp	1	1	1							
55	0050952	Muffler, 9 hp					1	1				
56	0051880	Gasket, muffler	1	1	1							
56	0051634	Gasket, muffler					1	1				
56	0036079	Solenoid, starter										1
57	0047783	Nut, hex M8 x 1.25	2	2	2		2	2				
58	0052931	Clamp, vinyl 1/2"	1	1	1		1	1				
58	0012526	Bolt, 1/4-20 x 3/4									1	2
59	0052627	AVR			1	1	1				1	
*	0051291	Assembly, battery cable	1	1	1							

**Note A:** Coleman Powermate will not provide engines as replacement parts. Engines are covered through the engine manufacturer's warranty. Consult the accompanying engine manual or contact our service department for assistance.

**Note B:** These are standard parts available at your local hardware store.

**Note C:** Contact your nearest Coleman Powermate Service Center for replacement fuel tanks.

\* These items are not shown.



**WARNING:** To avoid possible personal injury or equipment damage, a registered electrician or an authorized service representative should perform installation and all service. Under no circumstances should an unqualified person attempt to wire into a utility circuit.

**Electrical:** For city of Los Angeles approved models (PL's) the ampacity of the phase conductors from the generator terminals to the first over current device shall not be less than 115 percent of the nameplate rating of the generator.

## LISTE DES PIÈCES DE RECHANGE MODÈLE VANTAGE

REF. NO.	PART NO.	DESCRIPTION	PM0473503	PL0473503	PC0473503	PM0474203	PM0475003	PC0475003	PM0477022	PM0477023	PC0477023	PM0478022
1	Remarque A	Moteur, Vanguard 5.5 CV	1	1	1							
1	Remarque A	Moteur, Robin 8 CV				1						
1	Remarque A	Moteur, Vanguard 9 CV					1	1				
1	Remarque A	Moteur, Vanguard 15 CV							1	1	1	
1	Remarque A	Moteur, 18 CV										1
2	0048685.01	Adaptateur pour moteur	1	1	1							
2	0050236.01	Adaptateur pour moteur				1	1	1	1	1	1	1
3	0000901.01	Boulon, wz 5/16-24 x 5/8	4	4	4							
3	0000919.01	Boulon, wz 3/8-16 x 3/4				4	4	4	4	4	4	4
4	0051874	Rotor, 3.0 KW RF 5	1	1	1							
4	0049620	Rotor, 5.0 KW RF 5				1	1	1				
4	0049623	Rotor, 7 KW B/S RF 5							1	1	1	
4	0052293	Rotor, 8 KW, 60 HZ										1
5	Remarque B	Contre-écrou 5/16	3	3	3	4	4	4	3	3	3	5
6	0035055	Boulon, tête hex 5/16-24 x 6 5/8	1	1	1	1	1	1				
6	0046540.03	Boulon, tête hex 5/16-24 x 9							1	1	1	
6	0052297	Boulon, tête hex 5/16-24 x 9 1/4										1
7	0051871	Stator, 3.0 KW 60 HZ	1	1								
7	0051928	Stator, 3.0 KW 60 HZ, CSA			1							
7	0055669	Stator, 4.2 KW 60 HZ				1						
7	0050299	Stator, 5.0 KW, 60 HZ, I.C.					1					
7	0050517	Stator, 5.0 KW, 60 HZ, CSA						1				
7	0050350	Stator, 7.0 KW, 60 HZ							1			
7	0050436	Stator, 7.0 KW, 60 HZ, I.C.								1		
7	0050950	Stator, 7.0 KW, 60 HZ, CSA									1	
7	0053057	Stator, 8.0 KW, 60 HZ										1
8	0049835	Jeu pr logement prise, couvre-enroul.	1	1	1	1	1	1	1	1	1	1
9	0049200	Jeu pr logement prise, tableau	1	1	1	1	1	1				
9	0050400	Jeu pr logement prise, tableau							1	1	1	1
10	0050237.01	Couvre-enroulement, câblage complet	1	1			1		1	1		1
10	0050511.02	Couvre-enroulement, câblage complet			1	1		1				1
10A	0050439	Balais, E-4R	2	2	2	2	2	2	2	2	2	2
10B	0035188	Roulement à aiguilles FTT-1212	1	1	1	1	1	1	1	1	1	1
10C	0034819.01	Capaciteur	1	1	1	1	1	1	1	1	1	1
10D	0034843	Diode	2	2	2	2	2	2	2	2	2	
10D	0006296	Diode										2
10E	0038976	Diode dissipatrice de chaleur	1	1	1	1	1	1	1	1	1	1
10F	0048844	Couvre-balais	1	1	1	1	1	1	1	1	1	1
11	0051872	Boulons, tête hex. 1/4-20 x 4 1/2	4	4	4							
11	0040816	Boulons, tête hex. 1/4-20 x 6				4	4	4				
11	0035170	Boulons, tête hex. 1/4-20 x 8							4	4	4	4
12	0008854	Oeillet de mise à la terre	1	1	1	1	1	1	1	1	1	1
13	Remarque B	Rondelles plates 1/4	7	7	7	7	7	7	11	11	11	13
14	Remarque B	Rondelles à dents ext. 1/4	1	1	1	1	1	1	1	1	1	1
15	0040832	Écrous nyloc 1/4-20	12	12	12	13	12	12	14	14	17	20
16	0051680	Ensemble transport	1	1	1							
16	0055658	Ensemble transport				1						
16	0051756	Ensemble transport					1	1				
16	0050345	Ensemble transport							1	1	1	
16	0053056	Ensemble transport										1
17	0048837	Capuchon en plastique	4	4	4		4	4	4	4	4	4
19	0052185	Sectionneur moteur	2	2	2		2	2				
19	0051094	Sectionneur moteur				2			2	2	2	4
20	0051094	Sectionneur stator	2	2	2	2			2	2	2	1
20	0052210	Sectionneur stator					2	2				
21	0050134	Patte de fixation stator	1	1	1	1						
21	0049693	Patte de fixation stator					1	1	1	1	1	

REF. NO.	PART NO.	DESCRIPTION	PM0473503	PL0473503	PC0473503	PM0474203	PM0475003	PC0475003	PM0477022	PM0477023	PC0477023	PM0478022
21	0048866	Patte de fixation stator										1
22	0049279	Boulon wz 5/16-18 x 1/2	2	2	2	2	1	1	3	3	3	1
23	0048736	Écrous nyloc 5/16-18	7	7	7	5	9	9	6	6	6	6
24	0050346	Extrémité du panneau							1	1	1	
24	0053019	Extrémité du panneau										1
25	Remarque B	Rondelles plates 5/16	9	9	9	10	15	15	11	11	9	10
26	Remarque B	Boulon 5/16-18 x 1 1/2	1	1	1	3	1	1	2	2	3	
26	Remarque B	Boulon 5/16-18 x 1 1/4										4
27	0050334	Fixation, support de stator							1	1	1	
27	00055620	Rondelles plates .42 x 1.5 x .25										2
28	0049224	Ens. fil de masse tressé	1	1	1	1	1	1	1	1	1	1
29	Remarque B	Rondelles à dents 5/16	2	2	2	3	2	2	3	3	4	3
30	Remarque B	Boulon, tête hex 5/16-18 x 3/4	1	1	1	1	1	1	1	1	1	
30	Remarque B	Boulon, tête hex 5/16-18 x 1										2
31	Remarque B	Boulon, tête whz 5/16-18 x 1	1	1	1							
31	Remarque B	Boulon, tête hex 1/4-20 x 1 1/2				1						
31	Remarque B	Boulon, tête hex 5/16-18 x 2 1/4					1	1				
32	0048586	Entretoises 7/16	1	1	1							
32	0047796	Entretoises 3/4				1	2	2				
32	Remarque B	Vis 10-32 x 1/2							1	1	1	
33	Remarque B	Rondelle à dents n° 10							1	5	5	
34	0055181	Écran de chaleur	1	1	1							
34	0051537.01	Écran de chaleur				1						
34	0051821.01	Écran de chaleur					1	1				
35	0050333	Assemb. défecteur							1			
35	0050431	Assemb. défecteur, I.C.								1	1	
35	0052158	Écran de chaleur défecteur										1
36	Remarque C	Assemb. complet du réservoir	1	1	1	1	1	1	1	1	1	1
36A	0055340	Capuchon, réservoir d'essence	1	1	1	1	1	1	1	1	1	1
36B	0049842	Robinet de carburant avec bague	1	1	1							
36B	0051367	Robinet de carburant avec bague					1	1				
36B	0049114	Robinet de carburant avec bague				1			1	1	1	1
37	0049920	Arrêt carburant en conduite	1	1	1		1	1				
37	0047790	Filtre à carburant							1	1	1	1
37A	0051102	Filtre à carburant	1	1	1							
38	0048243	Bagues de reeduction à gradins	4	4	4	4	4	4	4	4	4	4
40	0051745	Tableau compl. câblé	1									
40	0052308	Tableau compl. câblé, LA		1								
40	0051982	Tableau compl. câblé, CSA			1							
40	0055663	Tableau compl. câblé				1						
40	0051823	Tableau compl. câblé					1					
40	0050518.03	Tableau compl. câblé, CSA						1				
40	0050336	Tableau compl. câblé							1			
40	0050435.01	Tableau compl. câblé								1		
40	0051288	Tableau compl. câblé, CSA									1	
40	0052930	Tableau compl. câblé										1
40A	0049070	Disjoncteurs 15 amp	2	2								
40A	0048067	Disjoncteurs 15 amp			2						1	
40A	0049071	Disjoncteurs 20 amp							1	1		1
40A	0049072	Disjoncteurs 25 amp					2					
40A	0051763	Disjoncteurs 20 amp				2		2				
40B	0049382	Disjoncteurs 30 amp	1		1	1		1			2	
40B	0048337	Disjoncteurs 35 amp					1		2	2		2
40C	0050298	Interrupteur	1	1	1		1	1				
40C	0049248	Interrupteur				1						
40C	0047776	Interrupteur								1	1	
40C	0036137	Interrupteur										1
40D	0048900	Réducteur de tension										1
40F	0050625.01	Module de commande du ralenti	1	1	1	1	1	1		1	1	
40G	0006667	Connecteur de l'assemblage de fils	1	1	1							

REF. NO.	PART NO.	DESCRIPTION	PM0473503	PL0473503	PC0473503	PM0474203	PM0475003	PC0475003	PM0477022	PM0477023	PC0477023	PM0478022
40G	0055672	Connecteur de l'assemblage de fils				1						
40G	0006650	Connecteur de l'assemblage de fils					1	1				
40G	0006510	Connecteur de l'assemblage de fils								1	1	
41	0050426	Solénoïde								1	1	
42	0050425	Câble, soleenoïde								1	1	
44	Remarque B	Vis 8-32 x 3/8								4	4	
54	0050941	Fixation, silencieux					1	1				
55	0051879	Silencieux 5.5 hp	1	1	1							
55	0050952	Silencieux 9 hp					1	1				
56	0051880	Silencieux joint	1	1	1							
56	0051634	Silencieux joint					1	1				
56	0036079	Solénoïde, démarreur										1
57	0047783	Ecrou hex M8 x 1.25	2	2	2		2	2				
58	0052931	Collier, vinyle 1/2"	1	1	1		1	1				
58	0012526	Boulon 1/4-20 x 3/4									1	2
59	0052627	AVR			1	1		1			1	
*	0051291	Ens., câble pour batterie	1	1	1							

**Remarque A:** Coleman Powermate ne fournit pas de moteurs dans ses pièces détachées. Les moteurs sont couverts par la garantie du fabricant de moteurs. Consulter le manuel du moteur inclus ou contacter notre département de service après-vente pour toute assistance.

**Remarque B:** Ces pièces sont des pièces standard disponibles en quincaillerie.

**Remarque C:** Pour commander des réservoir de rechange, veiller à appeler notre service Clients.

\* Ces articles ne sont pas représentés



**DANGER:** Pour éviter toute blessure et tout dommage aux appareils, faire effectuer l'installation électrique et toutes réparations par un électricien licencié ou un spécialiste du service après-vente agréé. En aucune circonstance, une personne non qualifiée ne doit-elle essayer de réaliser le câblage sur l'installation électrique existante.

**Électricité:** La charge limite en ampères des fils de phase allant des bornes de la génératrice au premier appareil en surcharge ne doit pas être inférieure à 115% de la puissance nominale indiquée sur la plaque des caractéristiques de la génératrice.



## LISTA DE PIEZAS DEL MODÈLE VANTAGE

REF. NO.	PART NO.	DESCRIPTION	PM0473503	PL0473503	PC0473503	PM0474203	PM0475003	PC0475003	PM0477022	PM0477023	PC0477023	PM0478022
1	Nota A	Motor, Vanguard 5.5 HP	1	1	1							
1	Nota A	Motor, Robin 8 HP				1						
1	Nota A	Motor, Vanguard 9 HP					1	1				
1	Nota A	Motor, Vanguard 15 HP							1	1	1	
1	Nota A	Motor, V-Twin 18 HP										1
2	0048685.01	Adaptador, motor	1	1	1							
2	0050236.01	Adaptador, motor				1	1	1	1	1	1	1
3	0000901.01	Perno, wz 5/16-24 x 5/8	4	4	4							
3	0000919.01	Perno, wz 3/8-16 x 3/4				4	4	4	4	4	4	4
4	0051874	Rotor, 3.0 KW RF 5	1	1	1							
4	0049620	Rotor, 5.0 KW RF 5				1	1	1				
4	0049623	Rotor, 7 KW B/S RF 5							1	1	1	
4	0052293	Rotor, 8 KW, 60 HZ										1
5	Nota B	Arandela, de cierre 5/16	3	3	3	4	4	4	3	3	3	5
6	0035055	Perno, hexagonal 5/16-24 x 6 5/8	1	1	1	1	1	1				
6	0046540.03	Perno, hexagonal 5/16-24 x 9							1	1	1	
6	0052297	Perno, hexagonal 5/16-24 x 9 1/4										1
7	0051871	Estator, 3.0 KW, 60 HZ	1	1								
7	0051928	Estator, 5.0 KW, 60 HZ, CSA			1							
7	0055669	Estator, 4.2 KW, 60 HZ				1						
7	0050299	Estator, 5.0 KW, 60 HZ, I.C.					1					
7	0050517	Estator, 5.0 KW, 60 HZ, CSA						1				
7	0050350	Estator, 7.0 KW, 60 HZ							1			
7	0050436	Estator, 7.0 KW, 60 HZ, I.C.								1		
7	0050950	Estator, 7.0 KW, 60 HZ, CSA									1	
7	0053057	Estator, 8.0 KW, 60 HZ										1
8	0049835	Conector, conjunto alojamiento, termnador.	1	1	1	1	1	1	1	1	1	1
9	0049200	Conector, conjunto alojamiento, panel	1	1	1	1	1	1				
9	0050400	Conector, conjunto alojamiento, panel							1	1	1	1
10	0050237.01	Jeu pr logement prise, tableau	1	1			1		1	1		1
10	0050511.02	Jeu pr logement prise, tableau CSA			1	1		1			1	
10A	0050439	Escobilla, E-4R	2	2	2	2	2	2	2	2	2	2
10B	0035188	Cojinete, aguja FTT-1212	1	1	1	1	1	1	1	1	1	1
10C	0034819.01	Capacitor	1	1	1	1	1	1	1	1	1	1
10D	0034843	Diodos	2	2	2	2	2	2	2	2	2	
10D	0006296	Diodos										2
10E	0038976	Sumidero térmico diodos	1	1	1	1	1	1	1	1	1	1
10F	0048844	Cubierta, escobill	1	1	1	1	1	1	1	1	1	1
11	0051872	Perno, hexagonal 1/4-20 x 4 1/2	4	4	4							
11	0040816	Perno, hexagonal 1/4-20 x 6				4	4	4				
11	0035170	Perno, hexagonal 1/4-20 x 8							4	4	4	4
12	0008854	Terminal, tierra	1	1	1	1	1	1	1	1	1	1
13	Nota B	Arandela, plana 1/4	7	7	7	7	7	7	11	11	11	13
14	Nota B	Arandela, estrella externa 1/4	1	1	1	1	1	1	1	1	1	1
15	0040832	Tuerca, nyloc 1/4-20	12	12	12	13	12	12	14	14	17	20
16	0051680	Transportador, conjunto	1	1	1							
16	0055658	Transportador, conjunto				1						
16	0051756	Transportador, conjunto					1	1				
16	0050345	Transportador, conjunto							1	1	1	
16	0053056	Transportador, conjunto										1
17	0048837	Tapa	4	4	4		4	4	4	4	4	4
19	0052185	Aislador, motor	2	2	2		2	2				
19	0051094	Aislador, motor				2			2	2	2	4
20	0051094	Aislador, estator	2	2	2	2			2	2	2	1
20	0052210	Aislador, estator					2	2				
21	0050134	Soporte, estator	1	1	1	1						
21	0049693	Soporte, estator					1	1	1	1	1	
21	0048866	Soporte, estator										1

REF. NO.	PART NO.	DESCRIPTION	PM0473503	PL0473503	PC0473503	PM0474203	PM0475003	PC0475003	PM0477022	PM0477023	PC0477023	PM0478022
22	0049279	Perno wz 5/16-18 x 1/2	2	2	2	2	1	1	3	3	3	1
23	0048736	Tuerca, nyloc 5/16-18	7	7	7	5	9	9	6	6	6	6
24	0050346	Panel, extremo							1	1	1	
24	0053019	Panel, extremo										1
25	Nota B	Arandela, plana 5/16	9	9	9	10	15	15	11	11	9	10
26	Nota B	Perno 5/16-18 x 1 1/2	1	1	1	3	1	1	2	2	3	
26	Nota B	Perno 5/16-18 x 1 1/4										4
27	0050334	Soporte, estator							1	1	1	
27	0055620	Arandela, plana .42 x 1.5 x .25										2
28	0049224	Conjunto, cable trenzado a tierra	1	1	1	1	1	1	1	1	1	1
29	Nota B	Arandela, estrella externa 5/16	2	2	2	3	2	2	3	3	4	3
30	Nota B	Perno, hexagonal 5/16-18 x 3/4	1	1	1	1	1	1	1	1	1	
30	Nota B	Perno, hexagonal 5/16-18 x 1										2
31	Nota B	Perno 5/16-18 x 1	1	1	1							
31	Nota B	Perno, hexagonal 1/4-20 x 1 1/5				1						
31	Nota B	Perno, hexagonal 5/16-18 x 2 1/4					1	1				
32	0048586	Espaciador 7/16	1	1	1							
32	0047796	Espaciador 3/4				1	2	2				
32	Nota B	Tornillo 10-32 x 1/2							1	1	1	
33	Nota B	Arandela, estrella							1	5	5	
34	0051557	Pantalla para el calor	1	1	1							
34	0051537.01	Pantalla para el calor				1						
34	0051821.01	Pantalla para el calor					1	1				
35	0050333	Montaje, electrodo de desviación							1			
35	0050431	Montaje, electrodo de desviación								1	1	
35	0052158	Electrodo de desviación, calor										1
36	Nota C	Conjunto tanque	1	1	1	1	1	1	1	1	1	1
36A	0050322	Tapa combustible	1	1	1	1	1	1	1	1	1	1
36B	0049842	Válvula combustible con casquillo	1	1	1							
36B	0051367	Válvula combustible con casquillo					1	1				
36B	0049114	Válvula combustible con casquillo				1			1	1	1	1
37	0049920	Cierre de combustible, en línea	1	1	1		1	1				
37	0047790	Filtro combustible							1	1	1	1
37A	0051102	Filtro combustible	1	1	1							
38	0048243	Casquillo, paso	4	4	4	4	4	4	4	4	4	4
40	0051745	Panel, abeado completo	1									
40	0052308	Panel, abeado completo LA		1								
40	0051982	Panel, abeado completo CSA				1						
40	0055663	Panel, abeado completo				1						
40	0051823	Panel, abeado completo					1					
40	0050518.03	Panel, abeado completo						1				
40	0050336	Panel, abeado completo							1			
40	0050435.01	Panel, abeado completo								1		
40	0051288	Panel, abeado completo CSA									1	
40	0052930	Panel, abeado completo										1
40A	0049070	Cortacircuitos 15 amp	2	2								
40A	0048067	Cortacircuitos 15 amp			2						1	
40A	0049071	Cortacircuitos 20 amp							1	1		1
40A	0049072	Cortacircuitos 25 amp					2					
40A	0051763	Cortacircuitos 20 amp				2		2				
40B	0049382	Cortacircuitos 30 amp	1		1	1		1			2	
40B	0048337	Cortacircuitos 35 amp					1		2	2		2
40C	0050298	Interruptor	1	1	1		1	1				
40C	0049248	Interruptor				1						
40C	0047776	Interruptor								1	1	
40C	0036137	Interruptor										1
40D	0048900	Protección contra tirones										1
40F	0050625.01	Módulo, control en vacío	1	1	1	1	1	1		1	1	
40G	0006667	Conector conjunto alambre	1	1	1							
40G	0055672	Conector conjunto alambre				1						

REF. NO.	PART NO.	DESCRIPTION	PM0473503	PL0473503	PC0473503	PM0474203	PM0475003	PC0475003	PM0477022	PM0477023	PC0477023	PM0478022
40G	0006650	Conector conjunto alambre					1	1				
40G	0006510	Conector conjunto alambre								1	1	
41	0050426	Solenoides								1	1	
42	0050425	Cable, solenoide								1	1	
44	Nota B	Tornillo 8-32 x 3/8								4	4	
54	0050941	Soporte de silenciador					1	1				
55	0051879	Silenciador 5.5 hp	1	1	1							
55	0050952	Silenciador 9 hp					1	1				
56	0051880	Empaquetadura de silenciador	1	1	1							
56	0051634	Empaquetadura de silenciador					1	1				
56	0036079	Solenoides, arrancador										1
57	0047783	Tuerca hexagonal M8 x 1.25	2	2	2		2	2				
58	0052931	Pinza vinílica 1/2"	1	1	1		1	1				
58	0012526	Perno 1/4-20 x 3/4									1	2
59	0052627	AVR			1	1		1			1	
*	0051291	Montaje, cable de la batería	1	1	1							

**Nota A:** Coleman Powermate no proporcionará los motores como repuestos. Los motores están cubiertos por medio de la garantía del fabricante del motor. Consulte el manual adjunto del motor o comuníquese con nuestro departamento de servicio para recibir asistencia al respecto.

**Nota B:** Estas son piezas estándares disponibles en su ferretería local.

**Nota C:** Para pedir tanque, localice sus centro de servicio.

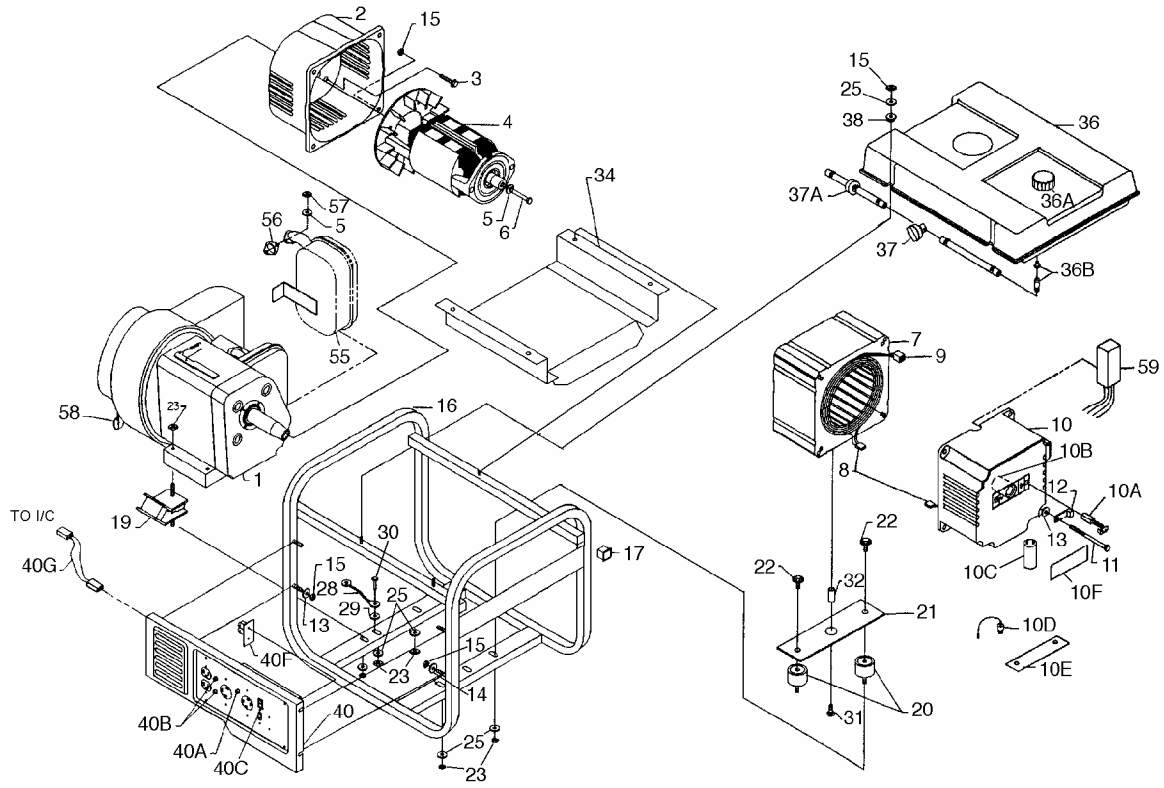
\* No se presentan estos artículos.



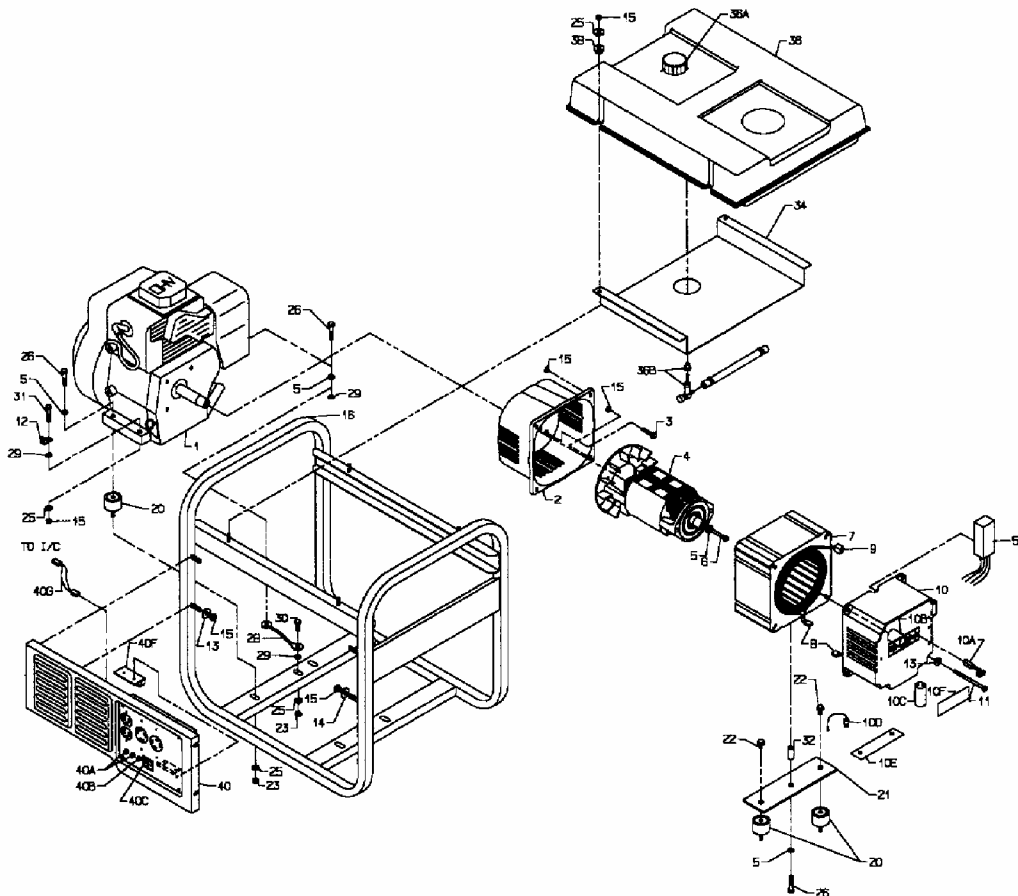
**ADVERTENCIA:** Para evitar posibles lesiones físicas o daños materiales, es necesario que la instalación y todo el servicio sea realizado por un electricista matriculado o representante de servicio autorizado. Bajo ninguna circunstancia debe permitirse que una persona que no está capacitada trate de manipular cables dentro del circuito de utilidad.

**Eléctricos:** El amperaje de los conductores de fase desde los terminales del generador al primer dispositivo de sobrecorriente no podrá ser menor que 115 por ciento del valor nominal que aparece en la placa de identificación del generador.

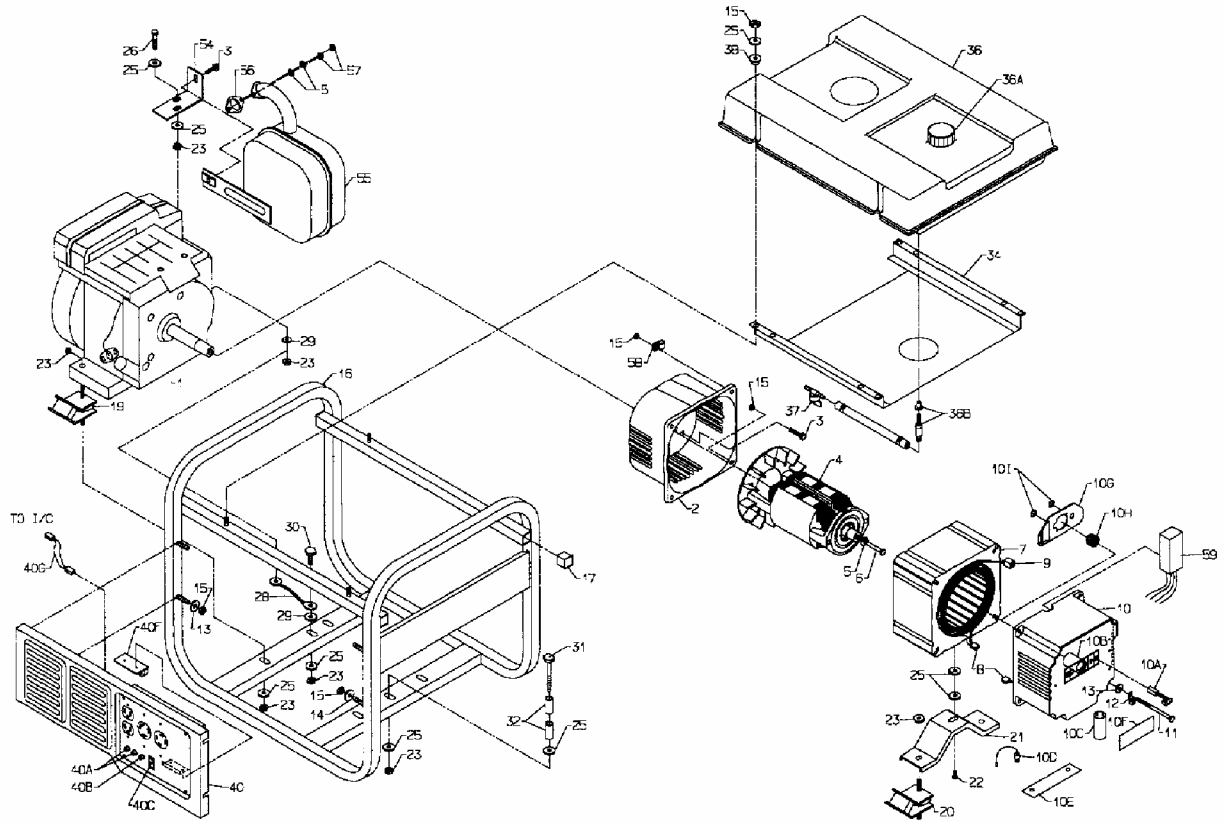
**PM0473503; PL0473503; PC0473503**



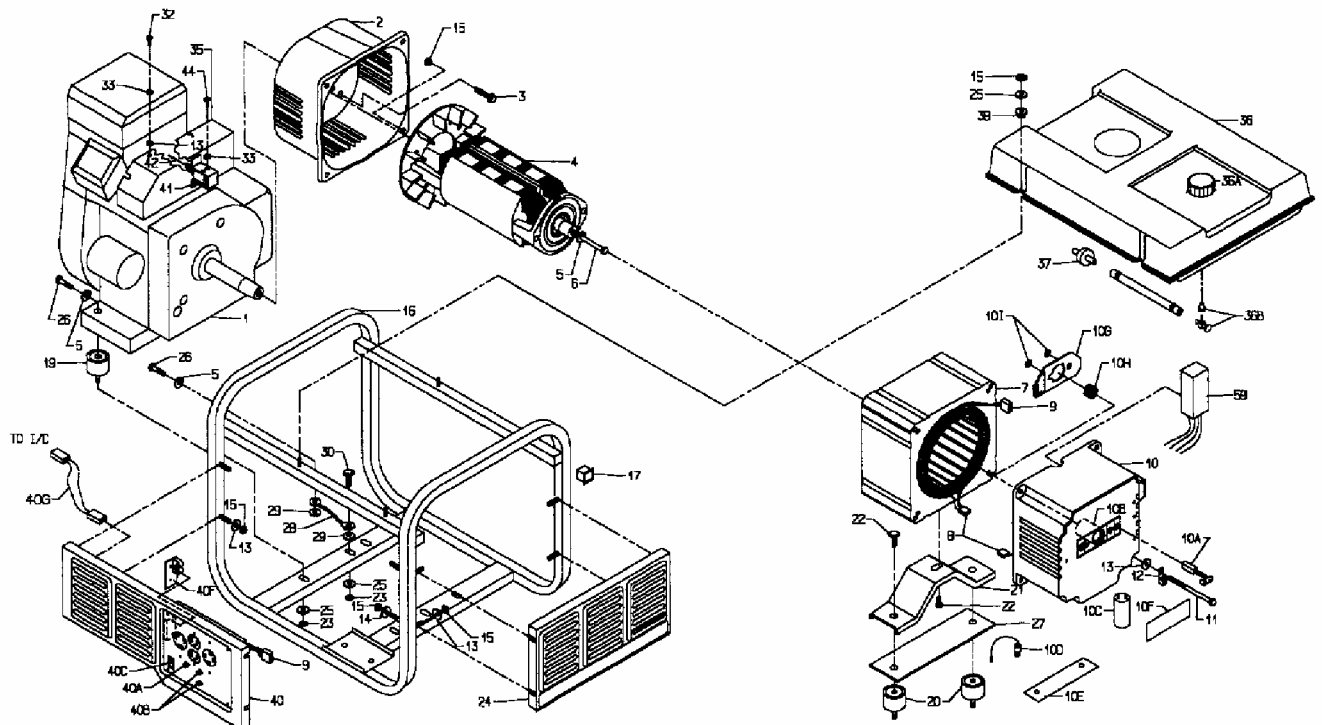
**PM0474203**



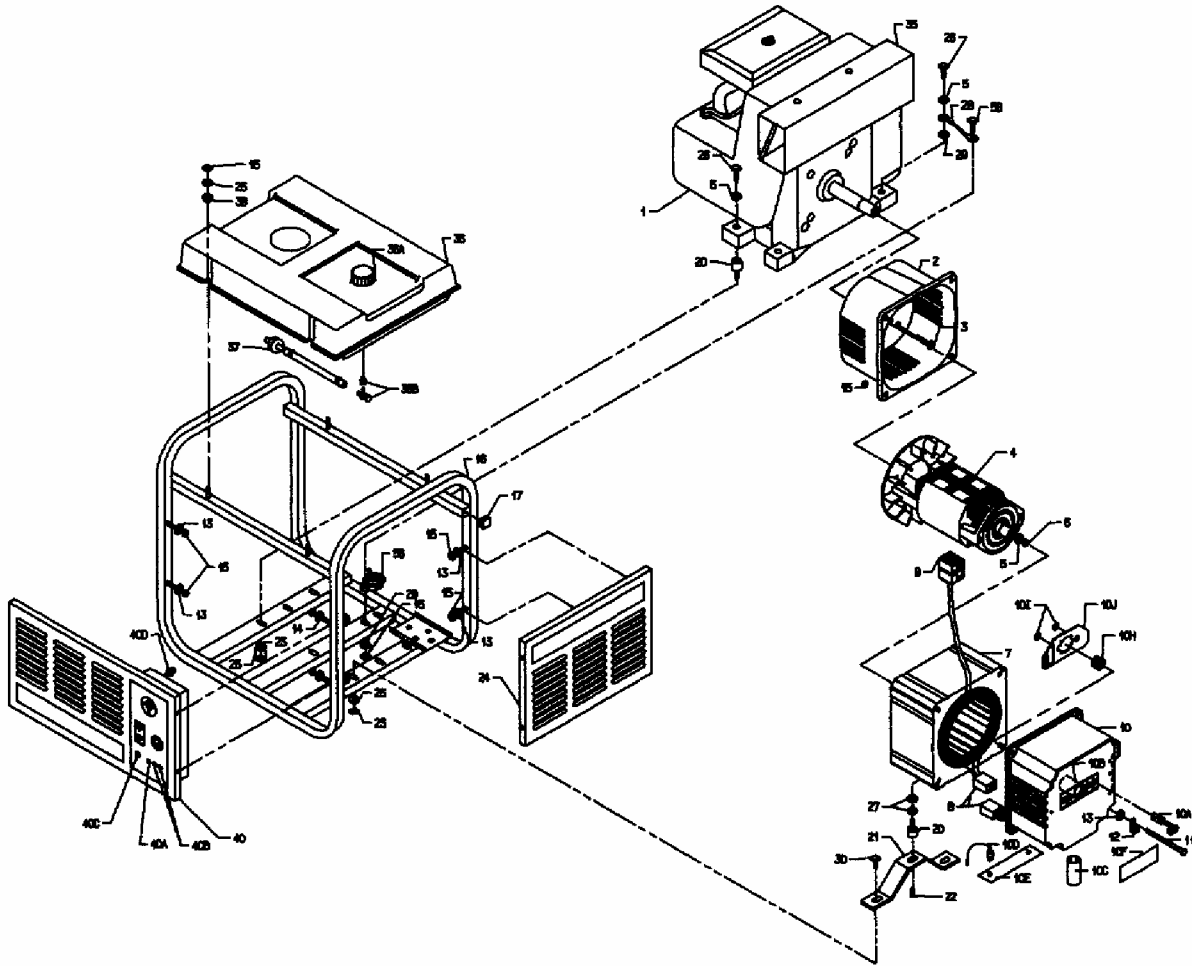
# PM0475003 & PC0475003



# PM0477022; PM0477023 & PC0477023



PM0478022



**NOTES - REMARQUE - NOTAS**



**4970 Airport Road  
P. O. Box 6001  
Kearney, NE 68848  
1-800-445-1805  
1-308-237-2181  
Fax 1-308-234-4187**