

THORENS



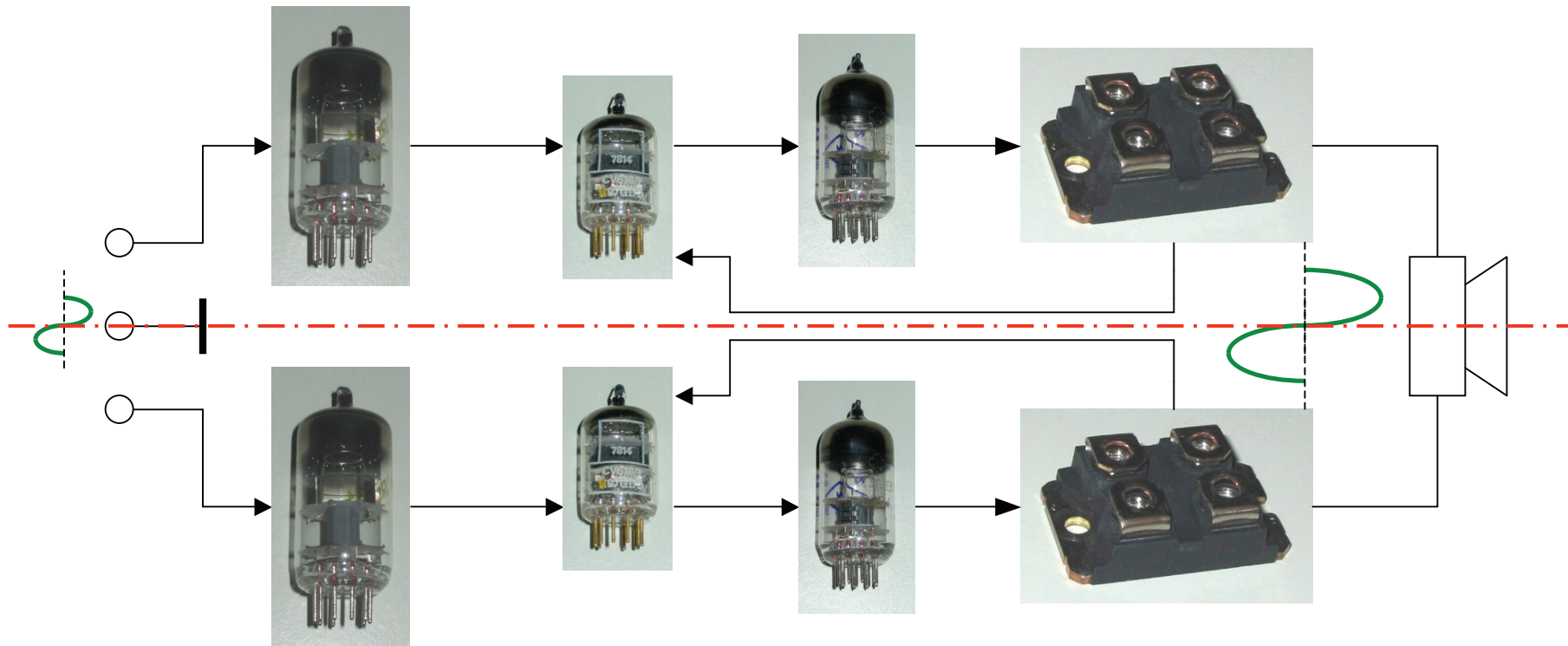
**BLOHBAUM
SYSTEM**

***Worldwide Unique Amplifier Technology
for the highest listening pleasure:***

Poweramplifier TEM 3200

Preamplifier TEP 3800

Worldwide unique: structure of the TEM 3200:



➔ **100% symmetrical PP- Hybridamplifier with DC-coupling of all stages**

TEM 3200:

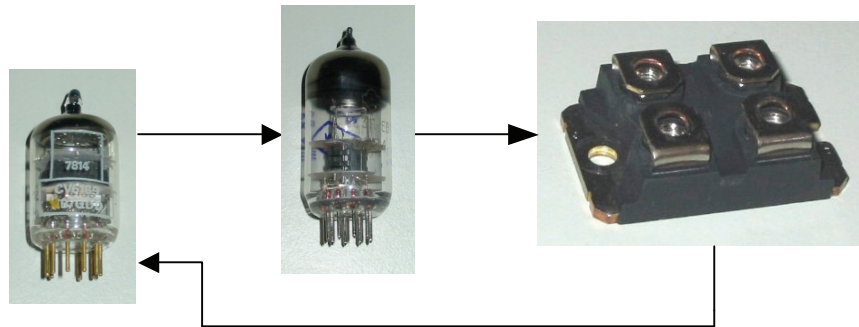
Only **ONE** high-power n-channel MOSFET per circuit leg



- ➔ no matching problems
- ➔ homogeneous signal processing of both half-waves
- ➔ **Widely overdimensioned transistor: 800W and 300A (!!)**
= highest linearity and reliability

TEM 3200:

Local linearisation of the MOSFET with special tube circuit



- ➔ **Harmonious unification of the advantages of both tube and transistor technology**
- ➔ **unique circuit: DC-coupled Triode and MOSFET with local linearisation = almost distortion-free output stage**



TEM 3200:

Well controlled current flow through both MOSFETs during ***both*** half-waves

- ➔ **No zerocrossing or switching distortion**
- ➔ **Characteristic of a Class-A amplifier combined with Class-AB efficiency**
- ➔ **Wonderfull combination of cleanliness and transparency with musical flow and emotion**
- ➔ **Roy Gregory from HiFi+: „The best amplifier on this planet for conductors, composers, sound engineers and all other people which are working seriously with music“.**



Poweramplifier TEM 3200:

The consistent realisation of the new *Blöhbaum System*TM circuit technology yields many more advantages:

- ➔ **Symmetrical slew-rate and excellent settling behaviour guarantee perfect reproduction of explosive dynamic music**
- ➔ **Due to the circuit principle, extremely high damping factor**
- ➔ **Outstanding control of almost any loudspeaker load**
- ➔ **Extremely low distortion, noise and hum**
- ➔ **Self-cancellation of high (speaker-) current induced magnetic fields**
- ➔ **High output power combined with compact dimensions**

Preamplifier TEP 3800:

The *Blöhbaum System*[™] circuit technology offers additional advantages for preamplification as well:

- ➔ **All-tube output stage with sensational low output impedance of less than 1 Ohm (!!): Almost distortion-free driver for long and high capacitive cables**
- ➔ **Equal distribution of (very low) spectral components independent of signal level**
- ➔ **Extremely low distortion, noise and hum**
- ➔ **100% DC-coupling of all 6 tubes per channel:**
 - perfect reproduction of highly dynamic music with all details and emotions**

THORENS



BLOHBAUM
SYSTEM

TEM 3200 - The Poweramplifier

TEP 3800 - The Preamplifier

➔ both incorporating the worldwide exclusive *Blöhbaum System*[™] circuit technology for the wonderful combination of control and transparency with musical flow and emotion.

THORENS

A fascinating experience