

# TRICITY BENDIX

Better Products. Better Value.



## OPERATING AND INSTALLATION INSTRUCTIONS

MODEL NO.  
BR593W

---

# CONTENTS

---

<b>Warnings</b> . . . . .	.page	3
<b>Conservation</b> . . . . .	.page	4
<b>Installation</b> . . . . .	.page	4
Positioning . . . . .	.page	4
Before using . . . . .	.page	4
The electrical connections . . . . .	.page	5
Location . . . . .	.page	5
Door reversibility . . . . .	.page	6
Fitting a decorative door panel. . . . .	.page	6
Changing the opening direction of the door (freezer compartment) . . . . .	.page	8
<b>Your appliance</b> . . . . .	.page	9
<b>Operation</b> . . . . .	.page	10
Setting the temperature . . . . .	.page	10
Storing deep-frozen foods . . . . .	.page	10
Ice cubes . . . . .	.page	10
<b>Health and safety guidelines</b> . . . . .	.page	10
Fresh food refrigeration . . . . .	.page	11
Defrosting . . . . .	.page	11
<b>Maintenance and cleaning</b> . . . . .	.page	12
Internal cleaning . . . . .	.page	12
When the appliance is not in use . . . . .	.page	12
Changing the light bulb . . . . .	.page	12
<b>What happens if something goes wrong?</b> . . . . .	.page	12
<b>Guarantee conditions</b> . . . . .	.page	13
<b>Tricity Bendix Service Centres</b> . . . . .	.page	14

---

# TECHNICAL SPECIFICATIONS

---

POWER SUPPLY VOLTAGE AND FREQUENCY	220-240 V / 50 Hz
TOTAL POWER ABSORBED	110 W
AVERAGE DAILY UNITS ELECTRICITY*	1.00 kWh
GROSS CAPACITY	140 l
NET CAPACITY	134 l

---

This figure is based on standard test results in accordance with the European Standard EN 153. Actual consumption will depend on how the appliance is used and where it is located.

---

# WARNINGS

---

**IT IS MOST IMPORTANT THAT THIS INSTRUCTION BOOK SHOULD BE RETAINED WITH THE APPLIANCE FOR FUTURE REFERENCE. SHOULD THE APPLIANCE BE SOLD OR TRANSFERRED TO ANOTHER OWNER, OR SHOULD YOU MOVE HOUSE AND LEAVE THE APPLIANCE, ALWAYS ENSURE THAT THE BOOK IS SUPPLIED WITH THE APPLIANCE IN ORDER THAT THE NEW OWNER CAN GET TO KNOW THE FUNCTIONING OF THE APPLIANCE AND THE RELEVANT WARNINGS.**

**THESE WARNINGS ARE PROVIDED IN THE INTEREST OF SAFETY. YOU MUST READ THEM CAREFULLY BEFORE INSTALLING OR USING THE APPLIANCE.**

- This appliance is designed to be operated by adults. Children should not be allowed to tamper with the controls or play with the product.
- Any electrical work required to install this appliance should be carried out by a qualified electrician or competent person.
- This product should be serviced by an authorised Tricity Bendix Service Centre, and only genuine spare parts should be used.
- It is dangerous to alter the specifications or modify this product in any way.
- Care must be taken to ensure that the appliance does not stand on the electrical supply cable.
- Tricity Bendix domestic refrigerators, freezers and fridge/freezers are designed to be used specifically for the storage of edible foodstuffs only.
- There are working parts in this product which heat up. Always ensure that there is adequate ventilation as a failure to do this will result in possible food loss. See installation instructions.
- Parts which heat up should not be exposed. Wherever possible, the back of the appliance should be close to a wall but leaving the required distance for ventilation as stated in the installation instructions.
- Before defrosting, cleaning or maintenance work is carried out, be sure to switch off the appliance and unplug it.
- Frozen food must NOT be re-frozen once it has thawed out.
- Do not place carbonated or fizzy drinks in the freezer as it creates pressure on the container, which may cause it to explode, resulting in damage to the appliance.
- The cooling plate or refrigerated freezer shelves in this appliance contain channels through which the refrigerant passes. If these are punctured this would cause substantial damage to the appliance and result in food loss. DO NOT USE SHARP INSTRUMENTS to scrape off frost or ice. Under NO circumstances should solid ice be forced off the lining or shelves. Solid ice should be allowed to thaw, when defrosting the appliance. See Defrost instructions.
- The appliance should be left for 2 hours after installation before it is turned on in order to allow the refrigerant to settle.
- This appliance is heavy. Care should be taken when moving it.
- Do not remove items from the freezer if your hands are damp/wet, as this could cause skin abrasions or “frost/freezer burns”.
- Ice lollies can cause “frost/freezer burns” if consumed straight from the freezer.
- Manufacturers’ storage recommendations should be strictly adhered to. Refer to relevant instructions.
- Under no circumstances should you attempt to repair the appliance yourself. Repairs carried out by inexperienced persons may cause injury or serious malfunctioning. Refer to your local Tricity Bendix Service Centre and always insist on genuine spare parts.

---

# CONSERVATION

---

## In the interests of the Environment:

**When disposing of your old fridge, freezer or fridge/freezer.**

Help to keep your country tidy – use authorised disposal sites for your old appliances.

## For maximum efficiency:

Make sure that the appliance is cleaned properly.

Make sure that the door is closed properly.

Do not position the appliance near to sources of heat.

Do not over-fill your appliance, air **MUST** be allowed to circulate.

---

# INSTALLATION

---

## Warning

IF YOU ARE DISCARDING AN OLD APPLIANCE THAT HAS A LOCK OR CATCH ON THE DOOR, YOU MUST ENSURE THAT IT IS MADE UNUSABLE TO PREVENT YOUNG CHILDREN BEING TRAPPED INSIDE.

## Positioning

The appliance should be installed well away from sources of heat such as radiators, boilers, direct sunlight etc.; best performance is obtained with ambient temperature between +16°C and +32°C.

For building-in and door reversibility, if necessary, refer to the relevant instructions in the following pages.

## Before using

Remove all securing tapes. Wash inside the appliance with lukewarm water and bicarbonate of soda (5 ml to 0.5 litre of water). Do not use soap or detergent as the smell may linger. Dry thoroughly.

## The electrical connections

**WARNING: THIS APPLIANCE MUST BE EARTHED.**

The manufacturer declines any liability should this safety measure not be observed.

If the plug that is fitted to your appliance is not suitable for your socket outlet, it must be cut off and the appropriate plug fitted.

Remove the fuse from the cut off plug.

The cut off plug should then be disposed of to prevent the hazard of shocks in case it should be plugged into a 13amp socket in another part of your home.

### Important

The wires in the mains lead are coloured in accordance with the following code:

**Green and Yellow** - Earth  
**Blue** - Neutral  
**Brown** - Live

If you fit your own plug, the colours of the wires in the mains lead of your appliance may not correspond with the markings identifying the terminals in your plug, proceed as follows:

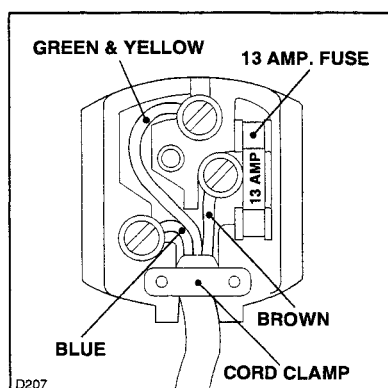


Fig. 1

Connect the Green and Yellow (earth) wire to the terminal in the plug which is marked with the letter «E» or the earth symbol  $\oplus$ , or coloured green and yellow.

Connect the blue (neutral) wire to the terminal in the plug which is marked with the letter «N» or coloured black.

Connect the brown (live) wire to the terminal in the plug which is marked with the letter «L» or coloured red.

The plug moulded onto the lead incorporates a fuse. For replacement, use a 13amp BS1362 fuse. Only ASTA or BSI approved fuses should be used.

The plug must not be used if the fuse cover/carrier is lost. The cover/carrier is indicated by the coloured insert at the base of the plug.

A replacement cover/carrier must be obtained from your local Tricity Bendix Service Centre whose address is listed at the back of this instruction book.

This appliance complies with the E.E.C. Directive No. 87/308 of 2.6.87 relative to radio interference suppression.

**CE** This appliance complies with the following E.E.C. Directives:

- 73/23 EEC of 19.2.73 (Low Voltage Directive) and subsequent modifications;
- 89/336 EEC of 3.5.89 (Electromagnetic Compatibility Directive) and subsequent modifications.

**Please ensure that when the appliance is installed it is easily accessible for the engineer in the event of a breakdown.**

## Location

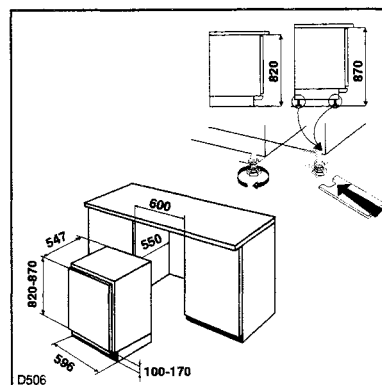


Fig. 2

This appliance is designed to be built-in to a space having the dimensions given in Fig. 2.

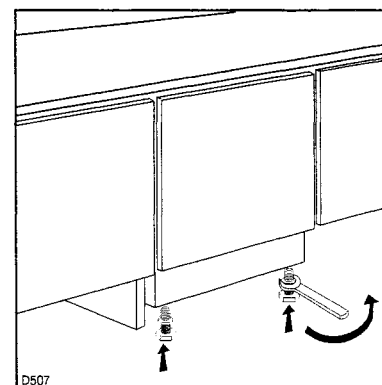


Fig. 3

The height of the appliance can be altered if required by means of adjustable feet situated at its base (Fig. 3).

## Door reversibility

Remove the two screws which fix the upper hinge to the door.

Carefully lean the appliance on its back and remove the plastic insert (Fig. 4).

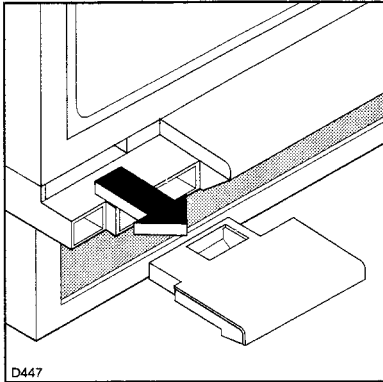


Fig. 4

Remove the two screws which fix the lower hinge to the door.

Remove the four screws which fix the lower hinge to the base of the appliance and remove the hinge itself; be very careful to recover all the screws.

Remove the four screws that fix the upper hinge to the appliance and remove the hinge itself.

Take the hinge removed from the upper part of the appliance on the opposite side (see Fig. 5), and, using the screws removed from the lower part, fix it to the base of the appliance itself.

Remove and refit the other hinge on the upper part of the appliance on the opposite side.

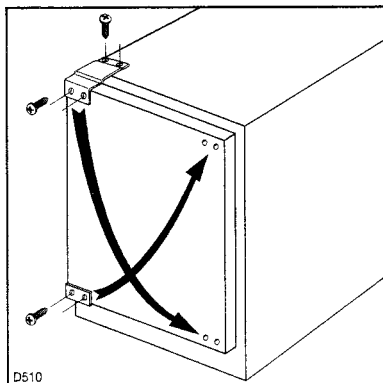


Fig. 5

Fix the two front screws into the upper and lower hinges (Fig. 5).

Finally, check the alignment of the door and make sure it closes properly.

After having reversed the opening direction of the door, discard the original plastic insert removed and fit the insert supplied with the appliance on the opposite side.

## Fitting a decorative door panel

**Important:** The components needed to fit the decorative panel have been pre-fitted on the appliance.

The brackets are secured to the panel by means of the 7  $\text{Ø } 3.5 \times 13$  screws supplied.

Before starting to fit the panel, remove the large top bracket by unscrewing the screws and adjusting pins pre-fitted on the appliance door. The small bottom bracket need not be removed.

Place the appliance in the position where it is to be built in (Fig. 6).

The appliance is fitted with adjustable feet; screw the front and rear feet in or out to adjust the height of the appliance to that of the recess.

Keeping the appliance central in the recess, slide it in until its back touches the wall.

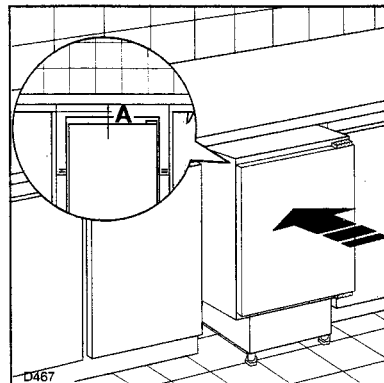


Fig. 6

With a tape measure (or similar instrument), measure distance (A) between the top edge of the door and the top edge of the decorative panel, placing it next to the recess.

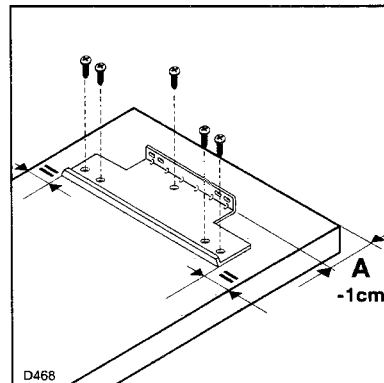


Fig. 7

Lay the panel face down (Fig. 7). Position the top bracket on the panel, making sure that there is an equal distance between it and the sides and that its distance from the top edge is equal to distance (A) less 1 cm.

Secure the bracket with the screws supplied.

Take care not to damage the front face of the panel whilst working.

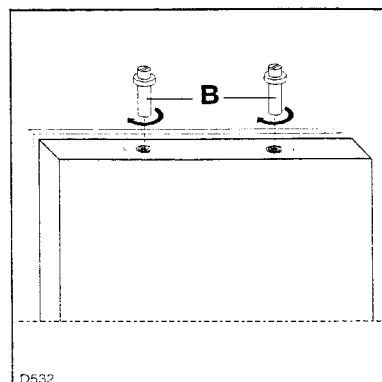
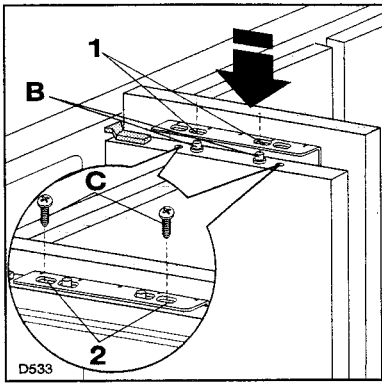


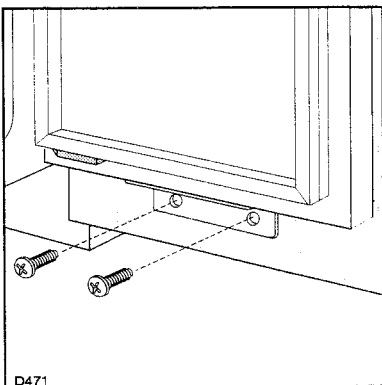
Fig. 8

Insert the adjusting pins (B-Fig. 8) into their locations in the door and screw them in.

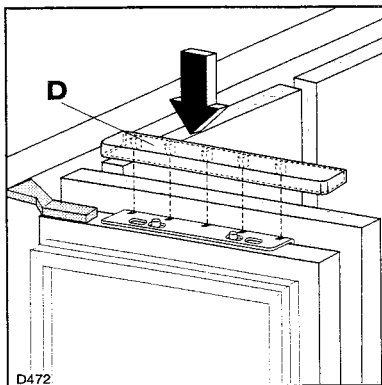


**Fig. 9**  
Hook the decorative panel onto the top part of the door, inserting the pins (B) (on the door) into the elongated holes (1) (in the top bracket fitted to the panel) (Fig. 9).

Insert the securing screws (C) through elongated holes (2) and fix the panel without tightening the screws (Fig. 9).

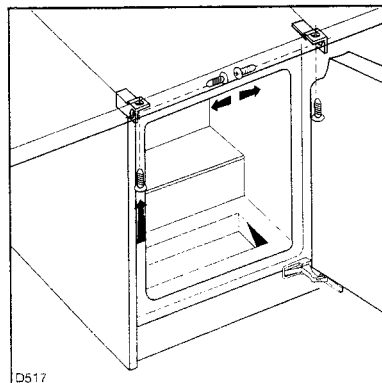


**Fig. 10**  
Once the top of the panel has been correctly positioned, fix it through the holes in the bottom bracket, without tightening the screws (Fig. 10).

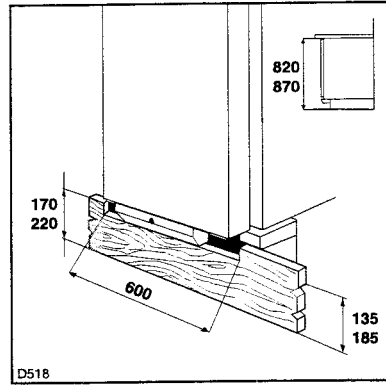


**Fig. 11**  
Check the position again by slackening the screws and pins then, once the best position has been obtained, fully tighten all the fixings. Cover the visible part of the top bracket on the panel

with plastic cover (D), inserting it in the locations provided in the bracket.

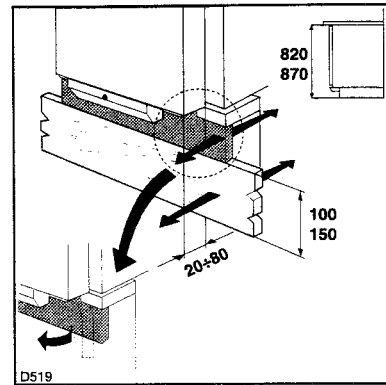


**Fig. 12**  
Once the door has been correctly aligned, tighten the holding nuts on the fixing brackets and attach the appliance to the adjacent units and the bottom of the work surface (Fig. 12).

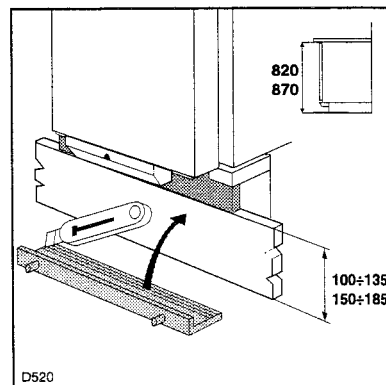


**Fig. 13**  
If the appliance has been fitted into a space 820 mm high and the maximum height of the base plate is 100 mm, fit the front cover plate by pushing the two vertical lugs into the rectangular holes on the bottom

side of the ventilation duct until they click. The plate can be adjusted backwards or forwards in the holes (Fig. 13).



**Fig. 14**  
If the base plate is between 100 and 135 mm high, cut it as shown in Fig. 15 and mount as described above. If the base plate is between 135 and 170 mm high, cut it as shown in Fig. 13.



**Fig. 15**  
If the appliance has been fitted into a space 870 mm high and the maximum height of the base plate is 150 mm, fit the front cover plate as described in Fig. 14.

If the base plate is between 150 and 185 mm high, cut it as shown in Fig. 15.

If the base plate is between 185 and 220 mm high, cut it as shown in Fig. 13.

## Changing the opening direction of the door (freezer compartment)

Having changed the opening direction of the appliance door, it is advisable to also change the opening direction of the freezer compartment door.

To do this, proceed as follows:

Unscrew the two fixing screws to remove the lower hinge from the door (Fig. 16).

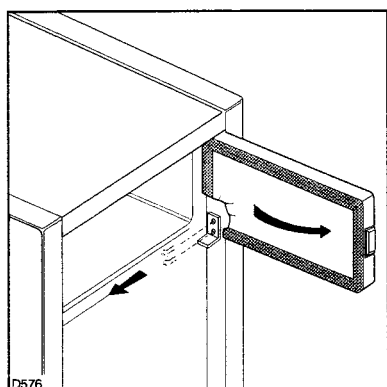


Fig. 16

Remove the freezer compartment door and the upper hinge. Once the freezer door has been removed, remove the screws from the catch and refit it on the opposite side (Fig. 17).

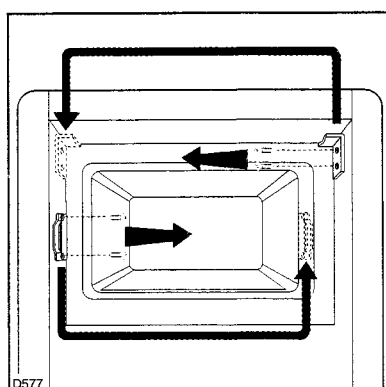


Fig. 17

Refit the upper hinge and the door on the opposite side, then refit the lower hinge (Fig. 18).

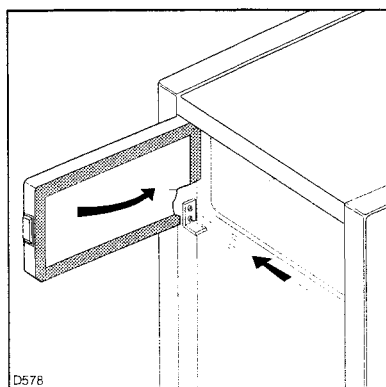
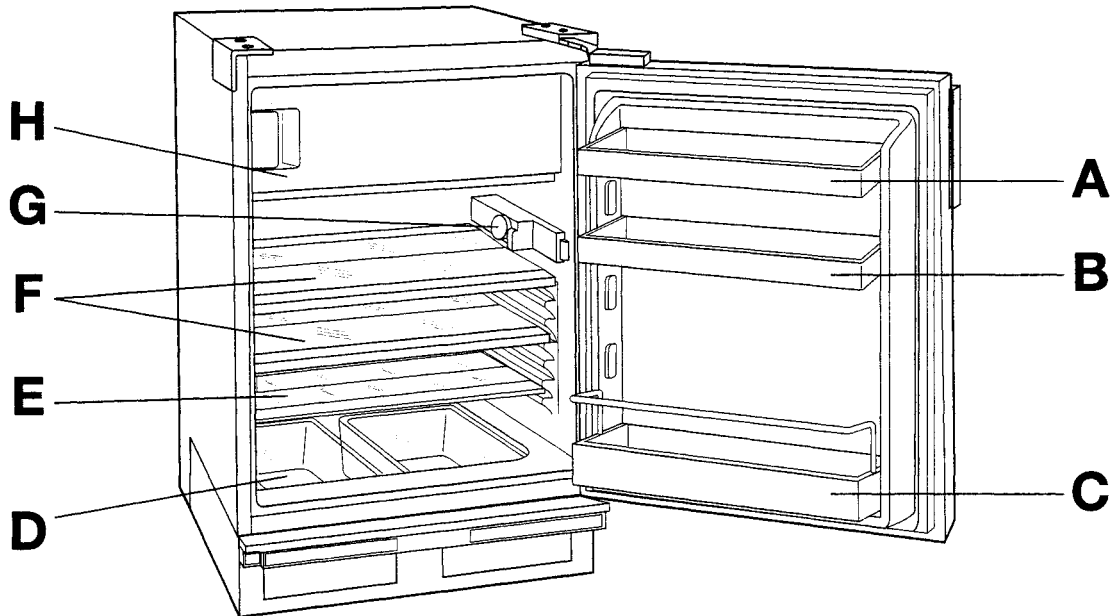


Fig. 18



# YOUR APPLIANCE



- A - Dairy compartment
- B - Shelf with egg trays
- C - Bottle storage shelf
- D - Salad drawers
- E - Glass shelf (for storing meat)
- F - Storage shelves
- G - Thermostat control
- H - ❄❄❄ freezer compartment

---

# OPERATION

---

## Setting the temperature

The temperature inside the refrigerator is regulated by a thermostat with 6 temperature positions and one «OFF» (O) position.

Position 1 = minimum coldness  
Position 6 = maximum coldness

Turn the thermostat dial to the required position; **the intermediate position is usually the most suitable (3-4).**

The thermostat setting can vary as the temperature inside the refrigerator compartment depends on the following factors:

- room temperature
- how often the door is opened
- how much food is stored
- position of the appliance

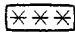
### Important

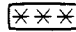
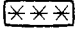
If the fridge is not defrosting correctly, it is possible that because a very low temperature has been selected, the motor is working continuously, which prevents the defrost cycle from operating.

To ensure correct defrosting, a lower number should be selected on the thermostat and you should notice that the motor cuts out from time to time, which is correct.

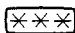
If you wish to return to a lower temperature, turn the thermostat to a higher number; however you should turn the setting lower occasionally to allow automatic defrosting.

## Storing deep-frozen foods

The compartment marked  reaches a temperature of  $-18^{\circ}\text{C}$  and is therefore suitable for storing ice-creams and deep-frozen food.

For best use of the  compartment, the following points should be noted: ensure that the deep-frozen products have been correctly stored by the shop-keeper; keep transport times from the shop to your home to a minimum; do not exceed the storage period specified by the manufacturer; when the freezer has not been used for some time; run it for at least two hours with the thermostat dial set to the lowest temperature before placing food inside and then reset to normal operation; do not open the door if there is a power failure. If the  compartment is full and the failure does not last long, the food will not be affected; otherwise, you are advised to consume it soon after.

## Ice cubes

Refrigerators with the  compartment are provided with an ice cube tray.

This tray must be filled with drinking water and placed in the compartment.

Never use metal tools to detach the tray.

---

# HEALTH AND SAFETY GUIDELINES

---

**Because of consumer demand, preservatives have been removed from many pre-prepared foods. This together with the changes in shopping habits to a once-a-week shop, mean that safe handling and storage of food is even more important than ever. The following tips should help you to ensure that the food in your home is in as perfect condition as possible.**

- Keep the time between buying chilled food and placing it in your fridge as short as possible. Tests showed that the temperature of 1 litre of orange juice rose to  $22^{\circ}\text{C}$  in an hour between the supermarket and home. It then took 11 hours to get down to  $7^{\circ}\text{C}$  in the refrigerator.
- Keep the refrigerator door closed as much as possible. Remember that warm air is flowing in as you are deciding what to have for tea!
- Do not push food together too much, try to allow air to circulate around each item.
- Cool cooked food as quickly as possible but do NOT place in the refrigerator until cool. (Leave food in a place as cool as possible in order that it can

then be placed in the refrigerator as soon as possible). Do NOT mix raw and cooked meat, they must be in separate containers. Take care not to let the meat juices drip onto other food. If the meat does drip, remove everything and clean thoroughly.

- Do not store food uncovered.
- Remove suspect food from your refrigerator and clean the interior with a solution of bicarbonate of soda in warm water (5ml to 0.5 litre of water).
- Never allow spillages to dry and harden.
- Store eggs in the egg rack provided in the refrigerator door. Discard any broken or cracked eggs.
- Regularly check the refrigerator door seal to ensure that it is clean and free from bits and pieces.
- Always wash your hands with soapy water and dry them with a clean towel before handling food.
- Keep work surfaces clean and avoid cross contamination by not using the same work surface or knife, without washing them thoroughly in between.
- Use kitchen roll wherever possible for cleaning up food. If you use a dishcloth, be sure to boil it frequently.

## Fresh food refrigeration

To obtain the best performance, do not store warm food or evaporating liquids in the refrigerator; do cover or wrap the food, particularly if it has a strong flavour.

Do not cover the shelves with any protective material, such as paper, cardboard or plastic, which may obstruct the air circulation through them.

To help you use your refrigerator correctly, here are some more useful hints:

Raw meat (beef, pork, lamb & game): wrap in polythene bags and place on top of the salad crispers.

**Meat can only be stored safely in this way for one or two days at the most.**

Fruit & vegetables: these should be thoroughly cleaned and placed in the bottom salad crispers.

Butter & cheese: these should be placed in special airtight containers or wrapped in aluminium foil or polythene bags to exclude as much air as possible.

Milk bottles: these should have a cap and should be stored in the bottle rack on the door.

The walls of the refrigerator are equipped with runners so that shelves can be positioned as desired.

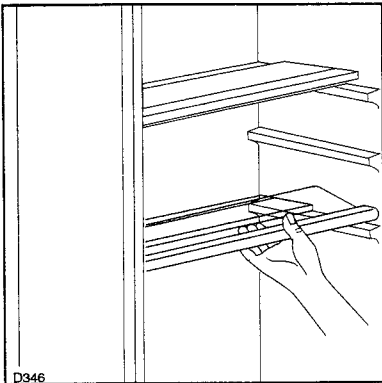


Fig. 19

## Defrosting

The refrigerator compartment evaporator is automatically defrosted every time the compressor stops. The water drains out through a channel (Fig. 20) into a bowl located at the base of the back of the appliance, where it evaporates.

In the  $\otimes\otimes\otimes$  compartment, the frost must be removed using the plastic scraper provided whenever a thick layer accumulates (approx. 4 mm). Do not use metal tools to remove the frost – they can cause serious damage.

It is not necessary to switch the appliance off or take the food out of the compartment during this operation.

If a thick layer of ice forms, the appliance must be completely defrosted.

Proceed as follows:

set the thermostat dial to the «O» position or unplug the appliance;

wrap the deep-frozen food in several sheets of newspaper and put in a cool place;

leave the door open and, if you wish to speed up defrosting times, place a bowl of very hot water inside the  $\otimes\otimes\otimes$  compartment (with a sheet of cardboard underneath);

soak up the water that collects on the bottom with a sponge and dry the walls thoroughly;

reset the thermostat dial to the required position or plug the appliance in again. After running for two or three hours, it will be ready to store deep-frozen foods again.

**It is important to periodically clean the defrost water drain hole in the middle of the refrigerator compartment channel (Fig. 20) to prevent the water overflowing and dripping onto the food inside.**

**Use the special cleaner provided, which you will find already inserted into the discharge hole.**

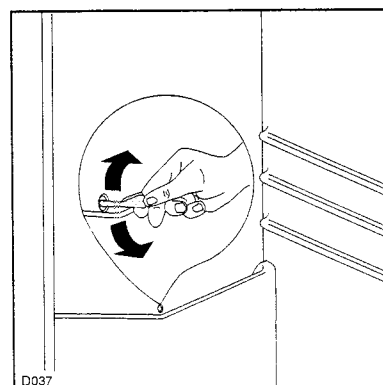


Fig. 20

# MAINTENANCE AND CLEANING

Before any maintenance or cleaning work is carried out, DISCONNECT the appliance from the ELECTRICITY supply.

## Internal cleaning

Clean the inside and accessories with warm water and bicarbonate of soda (5ml to 0.5 litre of water). Rinse and dry thoroughly.

**NEVER USE DETERGENTS, ABRASIVE POWDERS, HIGHLY PERFUMED CLEANING PRODUCTS OR WAX POLISHES, TO CLEAN THE INTERIOR AS THESE WILL DAMAGE THE SURFACE AND LEAVE A STRONG SMELL.**

Clean the drain hole of the water trough at regular intervals and make sure that the drain hole is never obstructed, so that the defrost water may flow freely.

## When the appliance is not in use

When the appliance is not in use for long periods, disconnect from the electricity supply, empty all foods and clean the appliance, leaving the door ajar to prevent unpleasant smells.

## Changing the light bulb

Should the interior light fail to work, first switch off the appliance and disconnect from the electricity supply, then replace the bulb as follows, see Fig. 21.

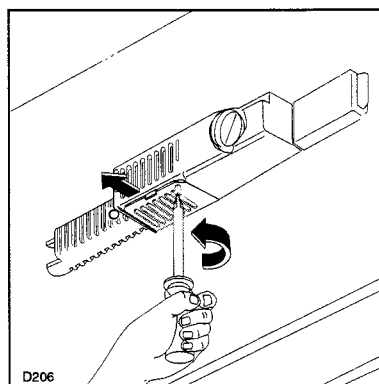


Fig. 21

Unscrew the light cover and then pull it outward toward the middle of the cabinet. Unscrew the bulb and replace it with a new 15 watt bulb (available from your nearest Tricity Bendix Service Centre).

Replace the light cover by sliding it into its original position and replacing the screw.

# WHAT HAPPENS IF SOMETHING GOES WRONG?

Before contacting your local Tricity Bendix Service Centre, check the following points:

## The appliance does not work...

Check that:

- There is power at the socket.
- Ensure that there is not a power cut by checking the household lights.
- The fuse has not blown.
- The air circulation passages are not covered.
- The thermostat dial is in the correct position.

## Vibration or abnormal noises...

- You may hear faint gurgling or bubbling sounds when the refrigerant is pumped through the coils of tubing, to the cooling plate/evaporator. When the compressor is on, the refrigerant is being pumped round, and you will hear a whirring or pulsating noise from the compressor. A thermostat controls the compressor, and you will hear a faint "click" when the thermostat cuts in and out.

## Traces of water on the bottom of the fridge compartment...

Check that:

- The defrost water discharge hole is not obstructed.

## The light does not come on...Check that:

- The bulb is fitted correctly.
- Replace the bulb if it has blown.

## Fridge does not defrost...

Check that:

- The thermostat setting is not too high (see page 10).

## Other points to check...

Check that:

- Have you turned the thermostat to the correct setting?
- Has the door been left open causing the temperature to rise?

If, after the above checks, there is still a fault, call your local Tricity Bendix Service Centre, whose address can be found in the accompanying Complete Care leaflet, and can also be found in your local telephone directory under «T». Please make sure you give the model and serial number of the appliance. This information can be found on the rating plate inside the fridge compartment on the left side behind the salad drawer, or on the guarantee certificate.

Original spare parts can be purchased from Tricity Bendix Service Centres.

**In-guarantee customers should ensure that the above checks have been made as the engineer will make a charge if the fault is not a mechanical or electrical breakdown.**

**Before contacting your local Tricity Bendix Service Centre, make a note of the model and serial number. This information can be found on the rating plate situated inside the cabinet behind the bottom freezer drawer.**

---

# PEACE OF MIND FOR TWELVE MONTHS

---

## Guarantee conditions

We, Tricity Bendix, undertake that if, within twelve months of the date of the purchase, this Tricity Bendix appliance or any part thereof is proved to be defective by reason only of faulty workmanship or materials, we will, at our option, repair or replace the same FREE OF ANY CHARGE for labour, materials or carriage on condition that:

- The appliance has been correctly installed and used only on the electricity supply stated on the rating plate.
- The appliance has been used for normal domestic purposes only, and in accordance with the manufacturer's operating and maintenance instructions.
- The appliance has not been serviced, maintained, repaired, taken apart or tampered with by any person not authorised by us.

All service work under this guarantee must be undertaken by a Tricity Bendix service representative or authorised agent.

Any appliance or defective part replaced shall become the property of Tricity Bendix.

This guarantee is in addition to your statutory and other legal rights.

Home visits are made between **8.30am** and **5.30pm** Monday to Friday. Visits may be available outside these hours in which case a charge will be made.

## Exclusions

This guarantee does not cover:

- Damage or calls resulting from transportation, improper use or neglect, the replacement of any light bulbs or removable parts of glass or plastic.
- Costs incurred for calls to put right an appliance which is improperly installed or calls to appliances outside the United Kingdom.
- Appliances found to be in use within a commercial environment, plus those which are the subject of rental agreements.
- Products of Tricity Bendix manufacture which are NOT marketed by Tricity Bendix.
- EU Countries - The standard guarantee is applicable but is subject to the owner's responsibility and cost to ensure the appliance meets the standards set by the country to which the product is taken. Proof of purchase may be required. Electrolux Aftersales Service in the country concerned, with whom Tricity Bendix have an arrangement, will be pleased to advise further.

## Tricity Bendix After Sales Service Service Centres Addresses

CENTRE	POSTAL DISTRICTS	SERVICE APPTS.	ADDRESS
ABERDEEN	AB	01224-696569	Tricity Bendix After Sales Service Northeast Appliance Service, 8 Cornhill Arcade, Cornhill Arcade, Aberdeen, AB2 5UT
ARGYLL	PA24-61	01369-703161	Tricity Bendix After Sales Service T.D.C. Refrigeration, Briar Hill, 7 Hill Street, Dunoon, Argyll, PA23 7AL
BARNSTAPLE	EX18-23, 31-39	01271-328826	Tricity Bendix After Sales Service Mc Bain Refrigeration, Unit 4 Upcott Avenue, Pottington Industrial Estate, Barnstaple, N. Devon, EX31 1HN
BORDERS	TD	01573-224411	Tricity Bendix After Sales Service James Stewart & Son, 2-8 Wood Market, Kelso, Borders, TD5 7AX
BRISTOL	BA BS TA SP	0117-9211876	Tricity Bendix After Sales Service Unit BE46, PO Box 372, Bristol, BS 99 1UD
CANVEY	E EC EN N NW W WC AL CB HA HP LU MK SG UB WD CM CO IG RM SS IP NR PE14-19, 30-38	0181-443-3464 0181-965-9699 0181-965-9699 01268-694144 01603-667017	Tricity Bendix After Sales Service 2-4 Sandhurst, Kings Road, Canvey Island, SS8 0QY
CARDIFF	CF NP1-4, 6, 9-44 SA1-18 SA21-32	01222-460131	Tricity Bendix After Sales Service Guardian Industrial Estate, Clydesmuir Road, Tremorfa, Cardiff, CF2 2QS
CUMBRIA	CA	01228-594747	Tricity Bendix After Sales Service ETB Services, Carlisle Enterprise Centre, James Street, Carlisle, CA2 5AP
DUMFRIES & GALLOWAY	DG1-14	01387-265166	Tricity Bendix After Sales Service Allan Crossan (service), 93 Irish Street, Dumfries, Scotland, DG1 2PQ
DUNDEE	Parkinson Cowan Gas Only	01382-642828	Tricity Bendix After Sales Service Tayside Refrigeration, 3-7 Blackness Street, Dundee, DD1 5LR
DUNDEE	DD1-14 PH8-18	01250-876285	Tricity Bendix After Sales Service I Brogan Domestic, 41 Leslie Street, Blairgowrie, Perthshire, PH10 6AT
GLASGOW	EH FK G KA KY1-16 ML PA1-23 PH1-7	0141-647-4381	Tricity Bendix After Sales Service 20 Cunningham Road, Clyde Estate, Rutherglen, Glasgow, G73 1PP
GUERNSEY	All Codes	01481-46931	Guernsey Electricity PO Box 4., Vale Guernsey, Channel Islands
HAVERFORDWEST	SA33-39 SA41-44 SA61-73	01437-710914	Tricity Bendix After Sales Service C Butherway, 1 Church Road, Roch, Haverfordwest, Dyfed, SA62 6AG
HEREFORD	HR1-9 LD1-8 SY7,18 NP5 NP7-8	01432-340334	Tricity Bendix After Sales Service Domestic Repair Centre, Unit 3 Bank Buildings, Cattle Market, Hereford, HR4 9HX
HULL	YO4 YO11-18 YO25 HU1-19 DN14	01482-585678	Tricity Bendix After Sales Service John Sizer, Unit 1 Boulevard Unit, Factory Estate, Hull, HU3 4AY
INVERNESS	IV1-28, 30-36, 52-56 PH19-26, 42-44 KW1-14	01463-792952	Tricity Bendix After Sales Service Highland Appliances, Unit 3B3 Smithton Industrial Estate, Smithton, Inverness
INVERNESS	PH30-41 IV40-51	01855-821315	Tricity Bendix After Sales Service George Ross Electrical, Forrestry Workshop, Inchree, Onich, Inverness-shire, PH33 6SE
ISLE OF WIGHT	PO30-41	01983-872552	Tricity Bendix After Sales Service Wyatts Electrical Service, 4 Forelands Road, Bembridge, I O W, PO35 5XW
ISLE OF ARRAN	KA27	01770-302909	Tricity Bendix After Sales Service Arran Domestic, Unit 4 The Douglas Centre, Brodick, Isle of Arran, KA27 8AJ
ISLE OF MAN	IM	01624-663455	Tricity Bendix After Sales Service Manx Electricity, Service Workshop, North Quay, Douglas, Isle of Man
ISLE OF MULL	PA62-75	01688-302262	Tricity Bendix After Sales Service B Hogg, Braeside, Raeric Road, Tobermory, Isle of Mull, PA75 6PU
JERSEY	ALL CODES	01534-505050	Jersey Electricity Company PO Box 45 Queens Road, St Helier JE4 8NY, Jersey, Channel Islands
LAMPETER	SA19,20 SA40 SA45-48 SY23-25	01570-423020	Tricity Bendix After Sales Service Lampeter Domestic Appliance Service, Unit 16 Lampeter Industrial Estate, Lampeter, SA48 7DY

**Tricity Bendix After Sales Service  
Service Centres Addresses**

CENTRE	POSTAL DISTRICTS	SERVICE APPTS.	ADDRESS
LANCASTER	LA1-23	01772-316175	Tricity Bendix After Sales Service NL Services, Unit 333 Rangler Road, Walton Summit, Bamber Bridge, Preston, Lancs, PR5 8AR
LEEDS	BD DN1-7, 10-12 HD HG HX LS S WF Y01-3, 5-8 DE NG-1-22 & 25	0113-2608511	Tricity Bendix After Sales Service 64-66 Cross Gates Road, Leeds, LS15 7NN
LINCOLN	DN21 sub codes 1,2 & 5 only LN 1,2,4-6 LN3 sub codes 4,5 only LN8-10 NG23,24 31-34 PE1-13, 20-25	01522-514603	Tricity Bendix After Sales Service Brian Hudson, Unit 8 Stonefield Park, Clifton Street, Lincoln, LN5 8AA
LIVERPOOL	FY PR L WN CH CW WA (Not WA14/15)	0151-2541724	Tricity Bendix After Sales Service Unit 1 Honeys Green Precinct, Honeys Green Lane, West Derby, Liverpool, L12 9JH
MANCHESTER	BB BL OL M SK WA14 & 15 only	0161-4777758	Tricity Bendix After Sales Service Unit 30 Oakhill Trading Estate, Devonshire Road, Worsley, Manchester, M28 3PT
NEWTON ABBOTT	EX1-17 TQ PL1-9,16,19-21	01626-65909	Tricity Bendix After Sales Service South West Domestic Service, Unit 2 Zealley Industrial Estate, Kingsteignton, Newton Abbott, South Devon, TQ12 3SJ
NORTH WALES	LL	01745-591616	Tricity Bendix After Sales Service GMS (Cymru), Unit 2 Coed - Parc, Abergele Road, Rhuddlan, Clwyd, Wales, LL18 5UG
NORTHERN	DL TS DH Y021,22 DH NE SR	01325-301400 0191-493-2025	Tricity Bendix After Sales Service PO Box 40 Preston Road, Aycliffe Industrial Estate, Newton Aycliffe, Co. Durham, DL5 6XA
NORTHERN IRELAND EAST	BT1-30, 36-57, 63-67	01232-746591	Tricity Bendix After Sales Service Unit C3, Edenderry Industrial Estate, 326, Crumlin Road, Belfast, BT14 7EE
NORTHERN IRELAND WEST	BT31-35, 60-62, 68-82, 92-94	01861-510400	Tricity Bendix After Sales Service G & O (Armagh) Service, Owenmore House, Kilwee Business Park, Upper Dunmurray Lane, Belfast, BT17 0HD
NUNEATON	B1-48 62-79, 90-94, DY ST WS WV NN CV LE	0121-358-7076 0121-358-5051 01993-704411 01203-350420	Tricity Bendix After Sales Service Unit 23-24 Alliance Business Park, Townsend Drive, Nuneaton, Warwickshire, CV11 6RX
ORKNEY	KW15-17	01856-875457	Tricity Bendix After Sales Service Refrigeration Sales and Services, Hatson Ind. Estate, Kirkwall, Orkney
REDDITCH	GL OX WR SN B49, 50, 60, 61, 80, 95-98.,	01527-512919	Tricity Bendix After Sales Service Heming Road, Washford, Redditch, Worcestershire, B98 0DH
REDRUTH	TR1-20,26,27 PL10-15,17,18, 22-35	01209-314407	Tricity Bendix After Sales Service Cornwall Domestic Service, Unit 7D Pool Industrial Estate, Wilson Way, Redruth, Cornwall, TR15 3QW
ROTHSAY	PA20	01700-504777	Tricity Bendix After Sales Service D McGlashan Walker, Walker Engineering, Glenmhor, Upper Serpentine, Rothesay, PA20
SHETLAND	Own Sales	01595-692225	Tricity Bendix After Sales Service Tait Electronic Systems Ltd, Holmsgarth Road, Lerwick, Shetland, ZE1 0PW
SHETLAND	Own Sales	01595-692855	Tricity Bendix After Sales Service Bofts Shetland Ltd, 26 North Road, Lerwick, Shetland, ZE1 0PE
SHETLAND	ZE2	01806-566546	Tricity Bendix After Sales Service Leask Electrical, Harsdale, Symbister, Shetland, ZE2 9AA
SHREWSBURY	SY1-6 SY8-17 SY19-22 TF	01743-450279	Tricity Bendix After Sales Service BLI Service, 6 Harlescott Bam, Harlescott Lane, Shrewsbury, SY1 3SY
SOUTH COAST	BN16-18, GU27-35 PO1-22. BH DT SO TR21-25	01705-667411 01705-667411 0117-9211876	Tricity Bendix After Sales Service Limerline Road, Hilsea, Portsmouth, Hampshire, PO3 5JJ
SOUTH HUMBERSIDE	DN8,9 DN15-20 DN21 Sub codes 3,4 only DN31-40 - LN (3 sub code 6 only), 7 LN11-13	01472-267978	Tricity Bendix After Sales Service John Robinson (Electrical), Unit 74 New Enterprise Centre, King Edward Street, Gt. Grimsby, DN31 3JP
TONBRIDGE	SL GU1-26.RG CT DA ME TN BN1-15 20-27 RH TW BR CR SE SW SM KT	01252-24505 01732-357722 01273-694341 0181-658-9069	Tricity Bendix After Sales Service Unit 30. Deacon Trading Estate. Morley Road, Tonbridge, Kent, TN9 1RA

# TRICITY BENDIX

Better Products. Better Value.

Tricity Bendix, 99 OAKLEY ROAD, Luton, Beds LU4 9QQ

A DIVISION OF EMACO LIMITED  
REGISTERED IN ENGLAND NO. 176547

Model No.

**BR 593 W**

Part No.

**2222 269-05/1**