

INSTALL INSTRUCTIONS S-CM-112-IMP-1 RADIO RELOCATION HOUSING 2006-2009 CHEVROLET IMPALA

TOOLS REQUIRED:

Ratcheting wrench
Socket set

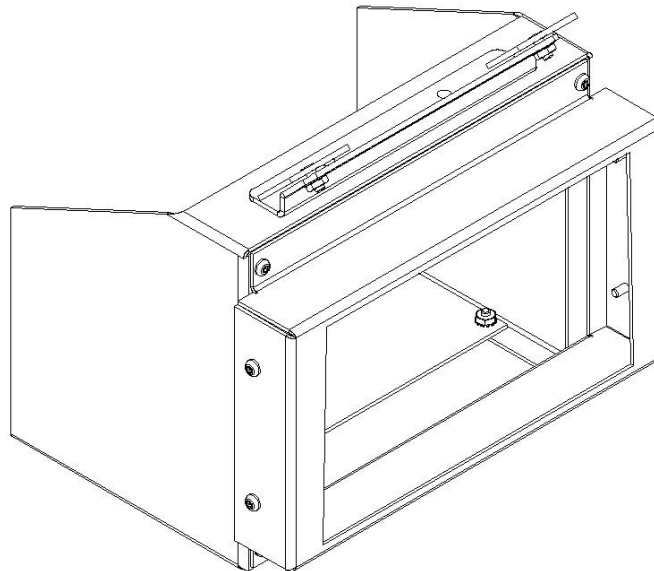
Screwdriver set
T-20 torx bit

HARDWARE:

QTY	DESCRIPTION	PART #
2	Upper backing plate	CM001620
1	Radio mounting bracket	CM001622-IMP
8	#8 x 3/8" T-20 torx screw	CM86508
2	#10 Keps nut	GSM30028

Always!

- Read all instructions before installing any Havis-Shields Equipment Corp products.
- Check for obstructions (Wire, brake lines, fuel tank, etc.) before drilling any holes!
- Use hardware provided with install kit
- For product support, visit the Install Instructions Section of our website at <http://havis.com/Installation/Installation.html>





Remove lower plastic trim panel and disconnect cable from lighter plugs.



Remove trim around AM/FM radio and thermostat controls.



Remove AM/FM radio screws, wire harness and antenna.



Attach mounting bracket to AM/FM radio and install torx screws to hold radio.



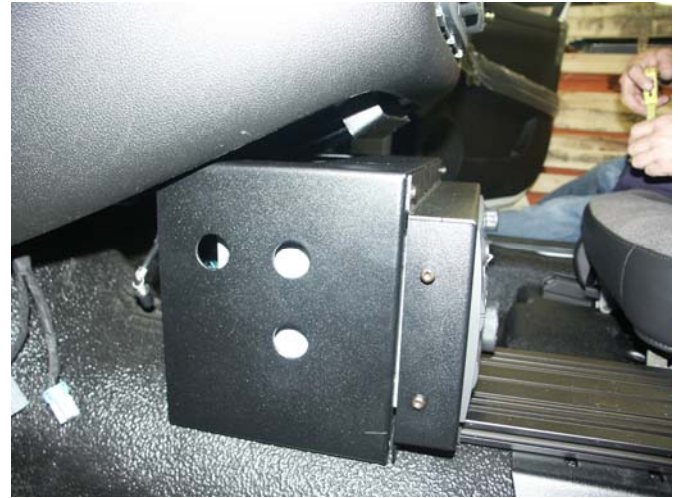
Mount assembled AM/FM radio bracket and radio to main relocation housing.



Slide studded mounting plates into the slots used previously to hold the trim panel that contained the lighter plugs.



Mount "hat" bracket to studded mounting plates.



Attach main relocation housing to mounting "hat".



Final assembly