

# PROPANE CONSTRUCTION HEATER

## INSTRUCTIONS FOR USE

### IMPORTANT

Read this manual carefully before assembling, using or servicing this heater. Keep this manual for future reference. If you have questions about assembly, operation, servicing or repair of this heater, please call Coleman at 1-800-835-3278 or TDD: 316-832-8707.




**Models: 5080A751 and 5085A751**

This product is designed and approved for use as an indoor construction heater in accordance with ANSI standards. It is intended for temporary heating of buildings under construction, alteration or repair. It is not intended for home or recreational use.



ANSI Z83.7b (1993)/A10.10- (1990)

This manual contains important information about the assembly, operation and maintenance of this construction heater. General safety information is presented in these first few pages and is also located throughout the manual. Particular attention should be paid to information accompanied by the safety alert symbol “ WARNING”.


Keep this manual for future reference and to educate new users of this product. This manual should be read in conjunction with the labeling on the product.

 **GENERAL HAZARD WARNING:**

**FAILURE TO COMPLY WITH THE PRECAUTIONS AND INSTRUCTIONS PROVIDED WITH THIS HEATER CAN RESULT IN DEATH, SERIOUS BODILY INJURY AND PROPERTY LOSS OR DAMAGE FROM HAZARDS OF FIRE, EXPLOSION, BURN, ASPHYXIATION, AND/OR CARBON MONOXIDE POISONING.**

**ONLY PERSONS WHO CAN UNDERSTAND AND FOLLOW THE INSTRUCTIONS SHOULD USE OR SERVICE THIS HEATER.**

**IF YOU NEED ASSISTANCE OR HEATER INFORMATION SUCH AS AN INSTRUCTION MANUAL OR LABELS, CONTACT THE COLEMAN CO., INC.**

 **WARNING: FIRE, BURN, INHALATION, AND EXPLOSION HAZARD. KEEP SOLID COMBUSTIBLES, SUCH AS BUILDING MATERIALS, PAPER OR CARDBOARD, A SAFE DISTANCE AWAY FROM THE HEATER AS RECOMMENDED BY THE INSTRUCTIONS. NEVER USE THE HEATER IN SPACES WHICH DO OR MAY CONTAIN VOLATILE OR AIRBORNE COMBUSTIBLES, OR PRODUCTS SUCH AS GASOLINE, SOLVENTS, PAINT THINNER, DUST PARTICLES OR UNKNOWN CHEMICALS.**

 **WARNING**  
**NOT FOR HOME OR RECREATIONAL USE.**

We cannot foresee every use which may be made of our heaters. **Check with your local fire safety authority if you have questions about heater use.**

Other standards govern the use of fuel gases and heat producing products for specific uses. Your local authorities can advise you about these.

This indoor construction heater should not be used in areas directly exposed to water spray, rain, and/or dripping water.

**CARBON MONOXIDE POISONING:**

This construction heater is a combustion appliance. All combustion appliances produce carbon monoxide (CO) during the combustion process. This product is designed to produce extremely minute, non-hazardous amounts of CO if used and maintained in accordance with all warnings and instructions. Do not block air flow into or out of the heater.

Early signs of carbon monoxide poisoning may resemble the flu with headaches, dizziness and/or nausea. If these symptoms are present during operation of this product **get fresh air immediately!**

*Safety Information continues on next page*

Make sure adequate ventilation is provided. Provide a fresh outside air opening **at least** six (6) square feet or its equivalent, i.e., 2' x 3' for each heating unit. **DO NOT USE THIS HEATER IN LIVING QUARTERS OR WHILE SLEEPING!** California lists carbon monoxide as a reproductive toxin under Proposition 65.

**PROPANE GAS:**

This product is fueled by propane gas. Propane gas is invisible, odorless, and flammable. An odorant is normally added to help detect leaks and can be described as a “rotten egg” smell. The odorant can fade over time so leaking gas is not always detectable by smell alone.

Propane gas is heavier than air and leaking propane will sink to the lowest level possible. It can be ignited by ignition sources including matches, lighters, sparks or open flames of any kind many feet away from the original leak. Use only propane gas set up for vapor withdrawal.

Propane gas should be stored and used in compliance with local ordinances and codes or with ANSI/NFPA 58. Turn off propane when not in use.

**FIRE/EXPLOSION:**

During operation, this product can be a source of ignition. Keep heater area clear and free from combustible materials, gasoline, paint thinner, cleaning solvents and other flammable vapors and liquids. Do not use heater in areas with high dust content. Minimum heater clearances from combustible materials: four (4) feet from the sides and six (6) feet from the top. Keep heater at least six (6) feet away from propane tanks and keep propane hoses away from outlet opening of the heater.

**ADDITIONAL SAFETY INFORMATION:**

- Never alter or modify heater, propane hose/regulator assembly or propane cylinders. Do not attach duct work of any kind to this heater.
- Always inspect heater, propane hoses and propane cylinders before use. Do not use if leaking propane or if damaged. Replace hoses that have excessive wear, abrasion or cuts. Use only Coleman repair parts and Coleman propane hoses and regulator assemblies.
- **KEEP OUT OF REACH OF CHILDREN.**
- Heater will remain hot up to thirty (30) minutes after being turned off.
- Operate heater only on level, stable surface.

<b>SECTION</b>	<b>PAGE</b>
General Safety Information . . . . .	2,3
Product Identification . . . . .	4
Unpacking . . . . .	4
Theory of Operation . . . . .	4
Propane Supply . . . . .	5
Ventilation . . . . .	5
Preparation . . . . .	5, 6
Operation . . . . .	6 - 8
Storage . . . . .	8
Maintenance . . . . .	9
Troubleshooting . . . . .	9
Specifications . . . . .	10
Replacement Parts . . . . .	10
Warranty . . . . .	31

## PRODUCT IDENTIFICATION



## UNPACKING

1. Remove all packing items applied to heater for shipment. Keep plastic cover caps (attached to inlet connection and hose/regulator assembly) for storage.
2. Remove all items from carton.
3. Check all items for shipping damage. If heater is damaged, promptly inform dealer from whom you bought heater.

## THEORY OF OPERATION

**The Fuel System:** The hose/regulator assembly attaches to the propane gas supply. This provides fuel to the heater.

**The Ignition System:** The piezo igniter lights the pilot fuel supply.

**The Automatic Control System:** The automatic valve shuts off the heater if the flame goes out.

You must provide propane gas and propane tank(s).

Use this heater only with a propane vapor withdrawal supply system. See Chapter 5 of the *Standard for Storage and Handling of Liquefied Petroleum Gas, ANSI/NFPA 58*. Your local library or fire department will have this booklet.

The amount of propane gas ready for use from propane tanks varies. Two factors decide this amount.

1. The amount of liquid propane gas in tank(s).
2. The temperature of tank(s)

The chart below shows the minimum number of 100-pound tanks needed to run the heater at the temperature indicated for at least 10 hours. Connect tanks together with a manifold. Do not operate this product with **any tank smaller than 100 pounds**. Reduced performance will result.

Average Temperature (°F) At Tank Location	Number of Tanks Required					
	60°	40°	32°	20°	10°	0°
<b>5085A751</b>	2	2	3	3	3	3
<b>5080A751</b>	1	1	1	1	2	2

Less gas is vaporized at lower temperatures. Two or more 100-pound tanks or one larger tank may be needed in colder weather. Your local propane gas dealer will help you select the proper supply system.

**⚠ WARNING**

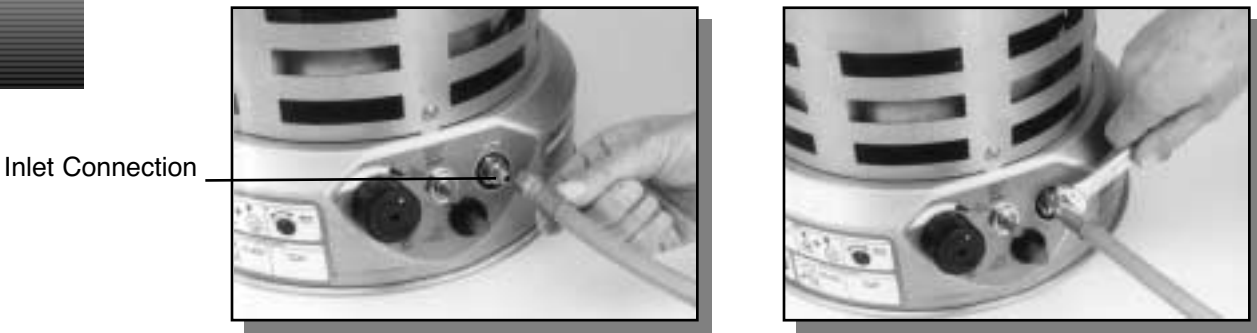
**Provide at least a six square foot opening of fresh outside air while running heater. If proper outside air ventilation is not provided, carbon monoxide poisoning can occur. Provide proper outside air ventilation before running heater.**

**⚠ WARNING**

**Test all gas piping and connections for leaks after preparation or servicing. Never use an open flame to check for a leak. Apply a mixture of liquid soap and water to all joints. Bubbles forming show a leak. Correct all leaks before using product.**

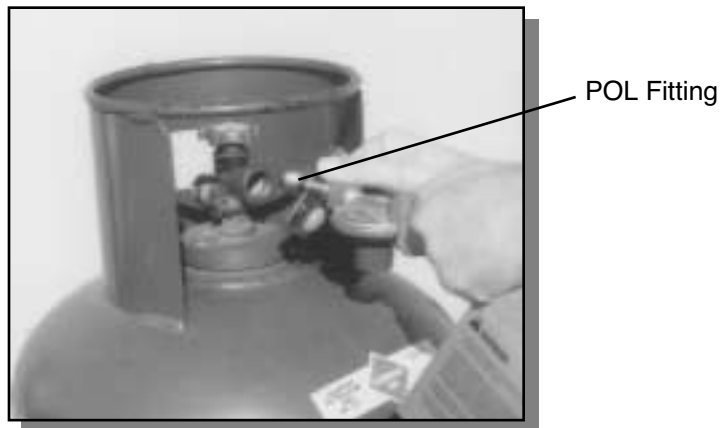
## PREPARATION Continued

1. Determine propane supply needed. (*See Propane Supply*).
2. Connect hose to the inlet connection on heater. Tighten firmly in **clockwise** direction using 9/16" wrench.



**Connecting Hose To Heater**

3. Connect POL fitting on hose/regulator assembly to propane tank(s). Turn POL fitting **counterclockwise** into threads on tank. Tighten firmly.  
**IMPORTANT:** Tighten regulator with vent pointing down. Pointing vent down protects regulator from weather damage.



**Regulator with Vent Pointing Down**

4. Open valve on propane tank(s) slowly.
5. Check all connections for leaks. Apply mixture of liquid soap and water to gas joints. Bubbles forming show a leak that must be corrected before using heater.
6. Close propane supply valve.

## **⚠**WARNING

Review and understand the warnings in the General Safety Information Section. They are needed to safely operate this heater. Follow all local ordinances or codes when using this heater.

### To Start Heater

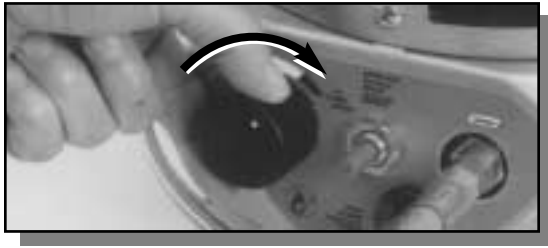
1. Follow all preparation, ventilation, and safety information.
2. Locate heater on stable and level surface. Make sure strong drafts do not blow on heater. Do not use in areas directly exposed to water spray, rain, and/or dripping water.

## **WARNING**

Fully close burner valve before lighting pilot. If not, severe burns can occur.

OPERATION  
Continued

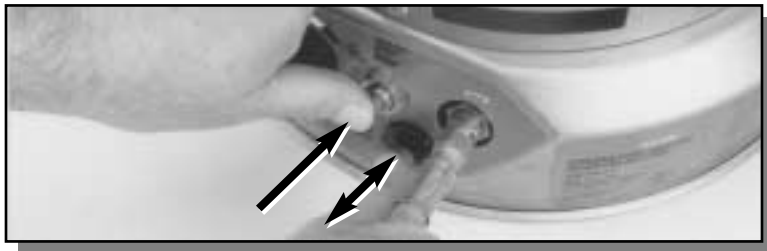
ENGLISH



3. Open valve on propane tank(s) slowly.



4. Push and hold automatic valve button. Push ignitor (red) button. You may need to push the ignitor button 3-8 times until the pilot lights. *Note:* Hose may be filled with air. If so, keep automatic valve button pressed and wait 20 seconds before pressing ignitor again. When pilot lights, keep automatic valve button pushed in. Release button after 30 seconds.



**Lighting Pilot**

5. If pilot light goes out, repeat step 4.

6. When pilot remains lit after releasing automatic valve button, fully open burner valve by turning burner valve knob counterclockwise until it stops. Burner will ignite.



7. Adjust knob to heat level desired.



Continued

## OPERATION Continued

### To Stop Heater

1. Tightly close valve on propane tank(s).



2. Shut off burner valve by turning knob to OFF position.



### To Restart Heater

1. Wait five minutes after stopping heater.
2. Restart heater by following steps under “To Start Heater.”

## STORAGE

### **⚠️ WARNING**

**Disconnect heater from propane supply tank(s) before storage.**

1. Store propane tank(s) in safe manner. Refer to Chapter 5 of *Standard for Storage and Handling of Liquefied Petroleum Gases, ANSI/NFPA 58*. Follow all local codes. Always store propane tanks outdoors.
2. Place plastic cover caps over brass fittings on inlet connection and hose/regulator assembly of heater.
3. Store heater in a dry, clean, and safe place.
4. Do not stack heaters over three high if more than one heater is being stored. Secure heaters with rope or strap after stacking.



**⚠ WARNING**

**Never attempt to service heater while it is connected to propane supply, operating, or hot. Severe burns can occur.**

1. Keep heater clean. Do not use flammable liquids or cleaning agents.
2. Inspect heater before each use. Check connections for leaks. Apply mixture of liquid soap and water to connections. Bubbles forming show a leak that must be corrected. Correct all leaks before using heater.
3. Inspect propane hose/regulator assembly before each use. Replace hoses that have excessive wear, abrasion, or cuts. Inspect “O” ring for damage. Replace if cut or cracked.
4. Have heater inspected yearly by service person.

**⚠ WARNING**

**Never attempt to service heater while it is connected to propane supply, operating, or hot. Severe burns can occur.**

**TROUBLE-SHOOTING**

<u>SYMPTOM</u>	<u>POSSIBLE CAUSE</u>	<u>REMEDY</u>
Pilot fails to light.	<ol style="list-style-type: none"> <li>1. Propane valve closed on propane tank(s).</li> <li>2. Air in gas line.</li> <li>3. Blockage in pilot orifice.</li> <li>4. Ignition system not sparking.</li> </ol>	<ol style="list-style-type: none"> <li>1. Open propane valve slowly.</li> <li>2. Allow several minutes to purge air with automatic valve button depressed.</li> <li>3. Replace pilot orifice.</li> <li>4. Adjust ignitor electrode gap to 1/8". Check wire lead for damage. Replace ignitor and/or ignitor electrode as necessary.</li> </ol>
Pilot lights but goes out when automatic valve button is released.	<ol style="list-style-type: none"> <li>1. Not enough warm-up time.</li> <li>2. Low gas pressure.</li> <li>3. Thermocouple loose or needs to be replaced.</li> <li>4. Automatic valve needs to be replaced.</li> </ol>	<ol style="list-style-type: none"> <li>1. Relight, hold automatic valve button in 45 seconds.</li> <li>2. Check propane tank(s) for proper gas supply.</li> <li>3. Tighten connection or replace thermocouple.</li> <li>4. Replace automatic valve.</li> </ol>
Maximum burn rate is low.	<ol style="list-style-type: none"> <li>1. Burner valve not fully open.</li> <li>2. Plugged gas orifices.</li> <li>3. Low gas pressure.</li> <li>4. Low fuel supply.</li> </ol>	<ol style="list-style-type: none"> <li>1. Fully open burner valve by turning the knob towards ON position until it stops.</li> <li>2. Replace gas orifice.</li> <li>3. Check gas supply; check regulator output.</li> <li>4. Consult propane gas supplier.</li> </ol>
Soot forming inside heater, flame 100% yellow.	<ol style="list-style-type: none"> <li>1. Burner valve not open enough.</li> <li>2. Low fuel supply.</li> </ol>	<ol style="list-style-type: none"> <li>1. Adjust burner valve slowly towards ON position until flame has more blue color.</li> <li>2. Consult propane gas supplier.</li> </ol>

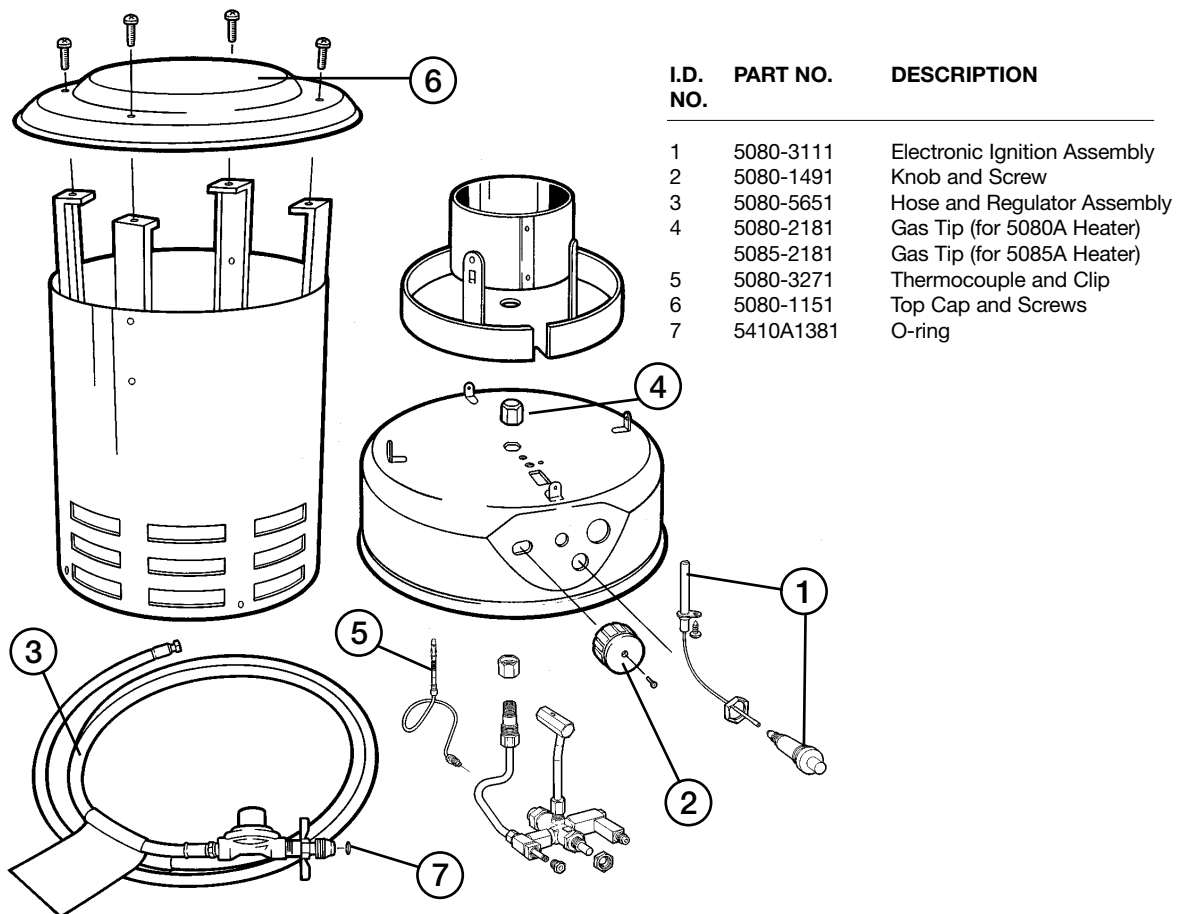
## SPECIFICATIONS

	5085A751	5080A751
• Rating (BTU/Hr)	80,000 to 200,000	30,000 to 80,000
• Fuel	Propane Vapor Only	Propane Vapor Only
• Fuel Consumption		
Gallons/Hour	0.9 minimum/2.2 maximum	0.3 minimum/0.9 maximum
Pounds/Hour	3.8 minimum/9.3 maximum	1.4 minimum/3.8 maximum
• Supply Pressure (To Regulator)		
Maximum	Tank Pressure	Tank Pressure
Minimum, for input adjustment	24 psi	24 psi
• Regulator Outlet Pressure	10 psi	10 psi
• Weight (Pounds)	14.7	12.24
• Size (Inches)	28 <sup>3</sup> / <sub>4</sub> x 13 <sup>1</sup> / <sub>4</sub> diameter	21 x 13 <sup>1</sup> / <sub>4</sub> diameter
• Minimum Ambient Temperature for use	0° F	0° F
• Shipping Dimensions (Inches)	29 <sup>1</sup> / <sub>2</sub> x 14 <sup>1</sup> / <sub>8</sub> x 14 <sup>1</sup> / <sub>8</sub>	21 <sup>3</sup> / <sub>4</sub> x 14 <sup>1</sup> / <sub>8</sub> x 14 <sup>1</sup> / <sub>8</sub>
• Shipping Weight (Pounds)	17	14.1

## REPLACEMENT PARTS

## ⚠ WARNING

**Use only original replacement parts. Do not substitute or use generic parts. Improper replacement parts could cause serious or fatal injuries.**



## TECHNICAL SERVICE

**If you have questions, contact Coleman at 1-800-835-3278 or TDD: 316-832-8707.**

# RADIATEUR DE CONSTRUCTION À PROPANE

## MODE D'EMPLOI

### IMPORTANT


Lisez attentivement ce manuel avant d'assembler, d'utiliser ou de réparer le radiateur ; gardez-le pour le consulter au besoin. Aux États-Unis, pour toutes questions concernant l'assemblage, le fonctionnement, l'entretien ou la réparation, composez le 1 800 835-3278 ou bien le 316-832-8707.



**Modèles 5080A751 et 5085A751**

Cet appareil est conçu et homologué pour emploi en tant que radiateur de construction, conformément aux normes ANSI. Il est destiné au chauffage temporaire des bâtiments pendant leur construction ou leur rénovation. Il ne convient pas au chauffage domestique ou récréatif.



Ce manuel renferme des renseignements importants sur l'assemblage, le fonctionnement et l'entretien des radiateurs de construction. Les généralités de sécurité sont fournies non seulement dans les premières pages, mais aussi ici et là dans le manuel. Prêtez toujours attention quand vous voyez le symbole « AVERTISSEMENT».


Gardez ce manuel pour le consulter au besoin et pour apprendre aux nouveaux utilisateurs à l'employer. Lisez-le de préférence de concert avec les étiquettes apposées sur le radiateur.

 **AVERTISSEMENTS GÉNÉRAUX DE RISQUES**

**NE PAS RESPECTER LES PRÉCAUTIONS ET INSTRUCTIONS FOURNIES AVEC LE RADIATEUR PEUT ENTRAÎNER PERTE DE VIE, BLESSURES CORPORELLES GRAVES AINSI QUE DOMMAGES MATÉRIELS OU ENDOMMAGEMENT PAR SUITE DE RISQUES D'INCENDIE, D'EXPLOSION, DE BRÛLURES, D'ASPHYXIE OU D'OXYCARBONISME.**

**CE RADIATEUR NE DOIT ÊTRE UTILISÉ ET ENTRETENU QUE PAR LES PERSONNES CAPABLES DE COMPRENDRE ET D'OBSERVER LES DIRECTIVES.**

**SI VOUS AVEZ BESOIN D'AIDE OU DE RENSEIGNEMENTS – INSTRUCTIONS OU ÉTIQUETTES, PAR EXEMPLE – CONTACTEZ THE COLEMAN CO., INC.**

 **AVERTISSEMENT: RISQUE D'INCENDIE, DE BRÛLURES ET D'EXPLOSION. GARDEZ LES SOLIDES COMBUSTIBLES (MATÉRIAUX DE CONSTRUCTION, PAPIER ET CARTON, PAR EXEMPLE) À LA DISTANCE CONSEILLÉE DU RADIATEUR. N'EMPLOYEZ PAS LE RADIATEUR DANS LES LOCAUX QUI CONTIENNENT OU PEUVENT CONTENIR COMBUSTIBLES VOLATILS OU AÉROPORTÉS, ESSENCE, SOLVANTS, DISSOLVANTS, FIBRES OU PRODUITS CHIMIQUES INCONNUS.**

 **AVERTISSEMENT**

**NE CONVIENT PAS À L'EMPLOI DOMICILIAIRE OU RÉCRÉATIF.**

Nous ne pouvons pas entrevoir toutes les utilisations auxquelles puissent être soumis nos radiateurs. **Vérifiez auprès des autorités de sécurité contre l'incendie compétentes, au niveau municipal, si vous avez toute question au sujet de l'emploi du radiateur.**

D'autres standards régissent l'utilisation des gaz combustibles et combustibles gazeux destinés à des utilisations spécifiques. Les autorités locales vous renseigneront à ce sujet.

Conçu pour l'intérieur, le radiateur de construction ne devrait pas servir dans les lieux où il puisse être exposé à de la pulvérisation d'eau, à la pluie ou à un dégouttement d'eau.

### **OXYCARBONISME**

Ce radiateur est un appareil à combustion qui, comme tous les appareils de ce genre, dégage de l'oxyde de carbone (CO) en fonctionnant. Il est conçu pour produire des quantités infimes et non dangereuses de CO lorsque utilisé et entretenu conformément à tous les avertissements et aux instructions. N'obstruez jamais ses prises d'air.

Les premiers indices d'oxycarbonisme peuvent rappeler les symptômes de la grippe – maux de tête, étourdissement ou nausée. En présence de tels symptômes lors du fonctionnement du radiateur, **sortez immédiatement à l'air libre!**

*Autres renseignements de sécurité en page suivante*

Assurez-vous que l’approvisionnement en air neuf soit suffisant. Une bouche d’air d’au moins six (6) pieds carrés ou l’équivalent, soit 2 x 3 pi, est requise pour chaque unité. **N’UTILISEZ PAS CE RADIATEUR DANS LES LOCAUX HABITÉS OU PENDANT LE SOMMEIL!** En Californie, d’après la Proposition 65, l’oxyde de carbone est répertorié comme agent toxique pour la reproduction.

**GAZ PROPANE:**

Cet appareil brûle le propane – gaz invisible, inodore et inflammable. Un odorisant (odeur d’œufs pourris) y est généralement ajouté pour faciliter la détection des fuites. L’odeur pouvant s’affaiblir avec le temps, le nez seul ne peut pas toujours déceler les fuites.

Étant plus lourd que l’air, le propane qui fuit s’accumule au niveau le plus bas et peut être enflammé par allumettes, briquets, étincelles ou flammes nues se trouvant même à plusieurs pieds de la fuite. N’utilisez que les bonbonnes standard pour l’alimentation.

Le gaz propane devrait être entreposé et employé selon les règlements ou les codes municipaux ou selon la norme ANSI/NFPA 58. Fermez le propane s’il ne sert pas.

**INCENDIE OU EXPLOSION:**

Ce produit peut être une source d’inflammation pendant son fonctionnement. Veillez à ce que le radiateur soit à l’écart (et sa vicinity exempte) de matériaux combustibles, d’essence, de solvants, de dissolvants et d’autres liquides ou vapeurs inflammables. N’employez pas le radiateur dans les locaux à haute teneur en poussières. Les dégagements minimaux du radiateur aux matières combustibles sont de quatre (4) pieds pour les côtés et six (6) pieds pour le dessus. Gardez le radiateur à au moins six (6) pieds des bonbonnes de propane et les tuyaux souples, éloignés des orifices d’admission.

**AUTRES RENSEIGNEMENTS DE SÉCURITÉ:**

- Ne modifiez jamais le radiateur, l’ensemble tuyau et régulateur ou les bonbonnes de propane. Ne raccordez pas de gaine quelle qu’elle soit au radiateur.
- Examinez soigneusement le radiateur, les tuyaux souples, et les bonbonnes de propane avant l’utilisation. Ne l’employez pas en cas de fuites ou de dommages. Remplacez les tuyaux s’ils sont très usés ou fendus. N’employez que les pièces de rechange Coleman ainsi que les ensembles tuyau souple et régulateur Coleman.
- **GARDEZ LE RADIATEUR HORS DE LA PORTÉE DES ENFANTS.**
- Le radiateur restera chaud jusqu’à trente (30) minutes après son extinction.
- Pour l’utilisation, placez le radiateur sur une surface plate et stable.

<b><u>SECTION</u></b>	<b><u>PAGE</u></b>
Généralités de sécurité .....	12, 13
Identification du produit .....	14
Déballage .....	14
Théorie du fonctionnement .....	14
Alimentation en propane .....	15
Ventilation .....	15
Préparation .....	15, 16
Fonctionnement .....	16 à 18
Rangement .....	18
Entretien .....	19
Dépistage des pannes .....	19
Données techniques .....	20
Pièces de rechange .....	20
Garantie .....	31

## IDENTIFICATION DU PRODUIT



## DÉBALLAGE

1. Retirez l'emballage qui protégeait le radiateur pendant l'expédition. Gardez les bouchons de plastique (se trouvant au branchement d'admission et à l'ensemble tuyau souple et régulateur), vous vous en servirez pour le rangement.
2. Videz complètement le carton d'emballage.
3. Assurez-vous qu'aucun des éléments n'ait subi d'avaries en cours d'expédition. Si le radiateur est abîmé, informez-en sans délai le marchand qui vous l'a vendu.

## THÉORIE DU FONCTION- NEMENT

**Approvisionnement :** L'ensemble tuyau souple et régulateur se fixe à la bonbonne de gaz propane. C'est ainsi que le radiateur est approvisionné en gaz.

**Système d'allumage :** L'allumeur piézo enflamme le gaz à la veilleuse.

**Système de commande automatique :** La soupape automatique arrête le fonctionnement du radiateur si la flamme s'éteint.

Il vous incombe de procurer le gaz propane ainsi que la (les) bonbonne(s).

N'alimentez ce radiateur qu'avec les bonbonnes de propane standard. Consultez le chapitre 5 intitulé «*Standard for Storage and Handling of Liquefied Petroleum Gas*» de la norme ANSI/NFPA 58. Cette norme peut être consultée à la bibliothèque ou au service d'incendie.

La quantité de gaz propane contenue dans les bonbonnes et donc utilisable varie. Deux facteurs déterminent cette quantité.

1. La quantité de gaz propane dans la (les) bonbonne(s).
2. La température de la (des) bonbonne(s)

Le tableau ci-dessous montre le nombre minimal de bonbonnes de 100 lb nécessaires pour faire fonctionner le radiateur à la température indiquée pendant au moins 10 heures.

Reliez les bonbonnes les unes aux autres avec un collecteur. Ne faites pas marcher cet appareil avec une **bonbonne de moins de 100 lb**, son rendement en serait réduit.

#### Nombre de bonbonnes requises

#### Température moyenne (°F)

où se trouve la bonbonne	60°	40°	32°	20°	10°	0°
<b>5085A751</b>	2	2	3	3	3	3
<b>5080A751</b>	1	1	1	1	2	2

Il se vaporise moins de gaz à basse température. Deux bonbonnes de 100 lb ou plus – ou une bonbonne de plus grande capacité – peuvent être requises par temps plus froid. Votre fournisseur de propane vous aidera à choisir le système d'alimentation approprié.

### AVERTISSEMENT

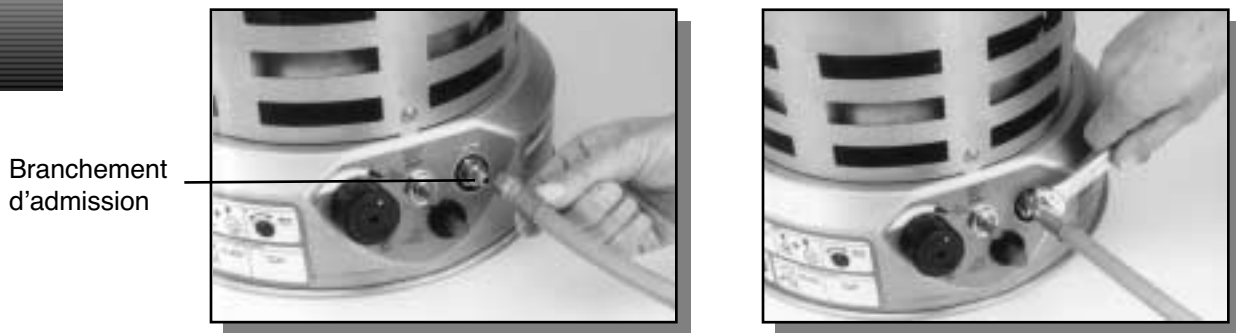
Prévoyez une prise d'air (air neuf provenant de l'extérieur) d'au moins 6 pieds carrés pour le fonctionnement. L'oxycarbonisme risque de survenir si la ventilation est inadéquate. Ouvrez la bouche d'air frais avant la mise en marche.

### AVERTISSEMENT

Faites l'essai de détection des fuites après la préparation ou l'entretien. Ne vous servez surtout jamais d'une flamme! Mettez une solution de savon liquide et d'eau à tous les raccordements. La formation de bulles signale une fuite. Éliminez toutes les fuites avant de mettre l'appareil en marche.

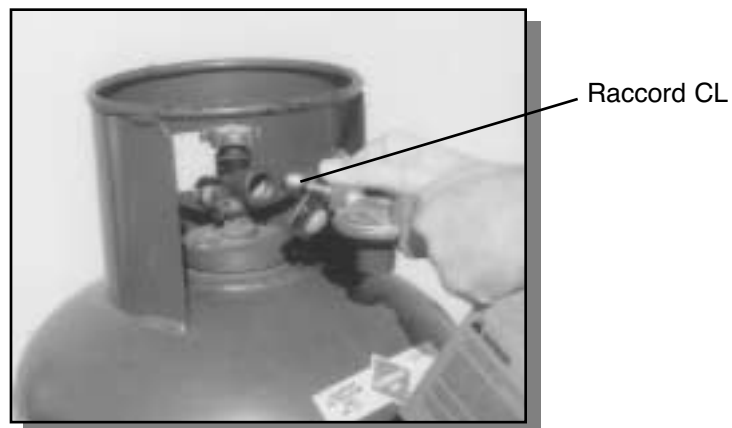
## PRÉPARATION (suite)

1. Établissez l'alimentation en propane requise. (*Voyez alimentation en propane*).
2. Branchez le tuyau souple au branchement d'admission du radiateur. Serrez fermement en tournant **en sens horaire** à l'aide d'une clé de 9/16 po.



**Branchement du tuyau souple au radiateur**

3. Branchez le raccord CL de l'ensemble tuyau-régulateur à la (aux) bonbonne(s). Tournez le raccord en **sens antihoraire** dans le filetage de la bonbonne. Serrez à fond.  
**IMPORTANT** : Serrez le régulateur en orientant le purgeur vers le sol. Orienter le purgeur vers le sol protège le régulateur des dommages découlant des conditions atmosphériques.



**Régulateur avec purgeur orienté vers le sol**

4. Ouvrez lentement le robinet de la (des) bonbonne(s).
5. Vérifiez qu'il n'y ait pas de fuites. Mettez une solution de savon liquide et eau aux raccordements. La formation de bulles signale une fuite. Éliminez-la avant la mise en marche.
6. Fermez le robinet d'alimentation en propane.

## FONCTION- NEMENT

### **⚠ AVERTISSEMENT**

**Lisez et assimilez les avertissements donnés sous « Généralités de sécurité », ils sont essentiels au fonctionnement sans danger. Observez tous les règlements ou codes municipaux lors de l'utilisation du radiateur.**

### **Mise en marche du radiateur**

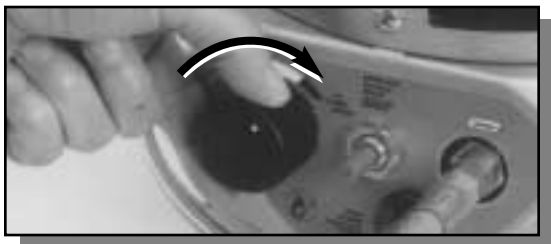
1. Observez les instructions de préparation, ventilation et sécurité.
2. Posez le radiateur sur une surface plate et stable. Assurez-vous qu'il n'y ait pas de grand refoulement d'air sur le radiateur. N'employez pas le radiateur dans un endroit où il puisse être exposé à de la pulvérisation d'eau, à la pluie ou à un dégouttement d'eau.



## **AVERTISSEMENT**

Pour prévenir les brûlures, fermez la commande à fond avant d'allumer la veilleuse.

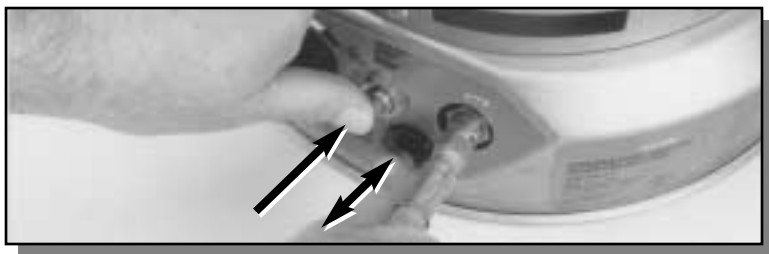
**FONCTION-  
NEMENT  
(suite)**



3. Ouvrez le robinet de la (des) bonbonne(s) lentement.



4. Enfoncez, sans le relâcher, le bouton de la soupape automatique. Appuyez sur l'allumeur (rouge) jusqu'à 3 à 8 fois pour allumer la veilleuse. *Nota:* Le tuyau peut contenir de l'air. En ce cas, tenez le bouton de la soupape automatique enfoncé pendant 20 sec avant d'appuyer de nouveau sur l'allumeur. Ne relâchez ce bouton que 30 sec après l'allumage de la veilleuse.



**Allumage de la veilleuse**

5. Si la veilleuse s'éteint, répétez les directives du paragraphe 4.

6. Quand la veilleuse reste allumée (une fois le bouton de la soupape automatique relâché), ouvrez la commande du brûleur en la tournant à fond en sens antihoraire. Le brûleur s'allumera.



7. Ajustez le bouton de commande selon la température désirée.



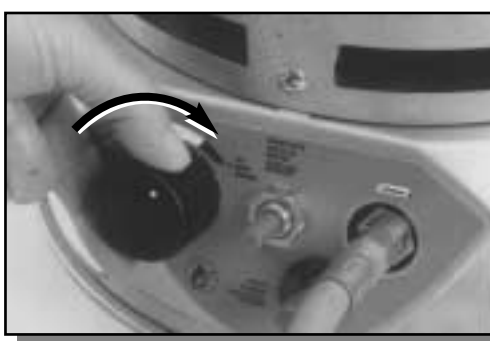
*tournez la page s.v.p.*

## **Arrêt du radiateur**

1. Fermez le robinet de la (des) bonbonne(s) de propane à fond.



2. Fermez la commande du brûleur en la mettant à la position «ARRÊT».



## **Remise en marche du radiateur**

1. Attendez que le radiateur ait été éteint au moins cinq minutes.
2. Remettez-le en marche en agissant tel qu'indiqué sous «Mise en marche du radiateur».

## **⚠ AVERTISSEMENT**

**Débranchez le radiateur de la (des) bonbonne(s) de propane avant de le ranger.**

1. Rangez la (les) bonbonne(s) de propane comme il se doit. Consultez le chapitre 5 intitulé «*Standard for Storage and Handling of Liquefied Petroleum Gases*» de la norme *ANSI/NFPA 58*. Observez tous les codes municipaux. Rangez toujours les bonbonnes de propane à l'air libre.
2. Placez les bouchons de plastique sur les garnitures de laiton, au branchement d'admission et à l'ensemble du tuyau souple et régulateur du radiateur.
3. Rangez le radiateur en lieu sûr, dans un endroit sec et propre.
4. Ne superposez pas plus de trois radiateurs lors du rangement. Immobilisez bien les radiateurs avec cordes ou sangles après leur superposition.

**⚠ AVERTISSEMENT**

**Ne tentez pas de réparer le radiateur tant qu'il est relié à la bonbonne, qu'il fonctionne ou qu'il est chaud. Vous pourriez vous brûler gravement.**

1. Maintenez le radiateur propre. N'utilisez ni liquides inflammables ni décapant.
2. Examinez le radiateur avant chaque utilisation. Vérifiez qu'il n'y ait pas de fuites. Mettez une solution de savon liquide et d'eau aux raccordements. La formation de bulles signale une fuite. Éliminez toutes les fuites avant de mettre l'appareil en marche.
3. Examinez l'ensemble tuyau souple et régulateur avant chaque utilisation. Remplacez les tuyaux très usés ou fendus. Assurez-vous que le joint torique ne soit pas endommagé. Remplacez-le s'il est fendu ou craqué.
4. Demandez à un dépanneur compétent de vérifier le radiateur une fois par an.

**⚠ AVERTISSEMENT**

**Ne tentez pas de réparer le radiateur tant qu'il est relié à la bonbonne, qu'il fonctionne ou qu'il est chaud. Vous pourriez vous brûler gravement.**

**DÉPISTAGE  
DES  
PANNES****INDICE****CAUSE POSSIBLE****SOLUTION**

La veilleuse ne s'allume pas.

1. Le robinet de la (des) bonbonne(s) de propane est fermé.
2. Il y a de l'air dans la conduite de gaz.
3. L'orifice de la veilleuse est obstrué.
4. Le système d'allumage ne produit pas d'étincelle.

1. Ouvrez le robinet de propane lentement.
2. Attendez plusieurs minutes que l'air soit purgé, tandis que vous enfoncez le bouton de la soupape automatique.
3. Remplacez l'orifice de la veilleuse.
4. Réglez l'écartement de l'électrode de l'allumeur pour qu'il soit de 1/8 po. Assurez-vous que la connexion par fil ne soit pas endommagée. Remplacez l'allumeur ou son électrode si nécessaire.

La veilleuse s'allume mais s'éteint quand le bouton de la soupape automatique est relâché.

1. La durée de réchauffage est trop courte.
2. La pression du gaz est faible.
3. Le thermocouple est desserré ou a besoin d'être remplacé.
4. La soupape automatique a besoin d'être remplacée.

1. Rallumez en appuyant sur le bouton de la soupape automatique pendant 45 secondes.
2. Assurez-vous qu'il y ait suffisamment de propane dans la (les) bonbonne(s).
3. Serrez le raccordement ou remplacez le thermocouple.
4. Remplacez la soupape automatique.

Le taux maximal de combustion est faible.

1. La commande du brûleur n'est pas ouverte en grand.
2. Les orifices du gaz sont bouchés.
3. La pression du gaz est faible.
4. Il reste peu de propane.

1. Ouvrez la commande du brûleur en grand en tournant le bouton à fond jusqu'à la position MARCHE.
2. Remplacez l'orifice du gaz.
3. Assurez-vous qu'il y ait suffisamment de gaz; vérifiez le débit du régulateur.
4. Consultez votre fournisseur de propane.

Il se forme de la suie dans le radiateur, la flamme est complètement jaune.

1. La commande du brûleur n'est pas assez ouverte.
2. Il reste peu de propane.

1. Réglez lentement la commande du brûleur vers la position MARCHE jusqu'à ce que la flamme soit plus bleue.
2. Consultez votre fournisseur de propane.

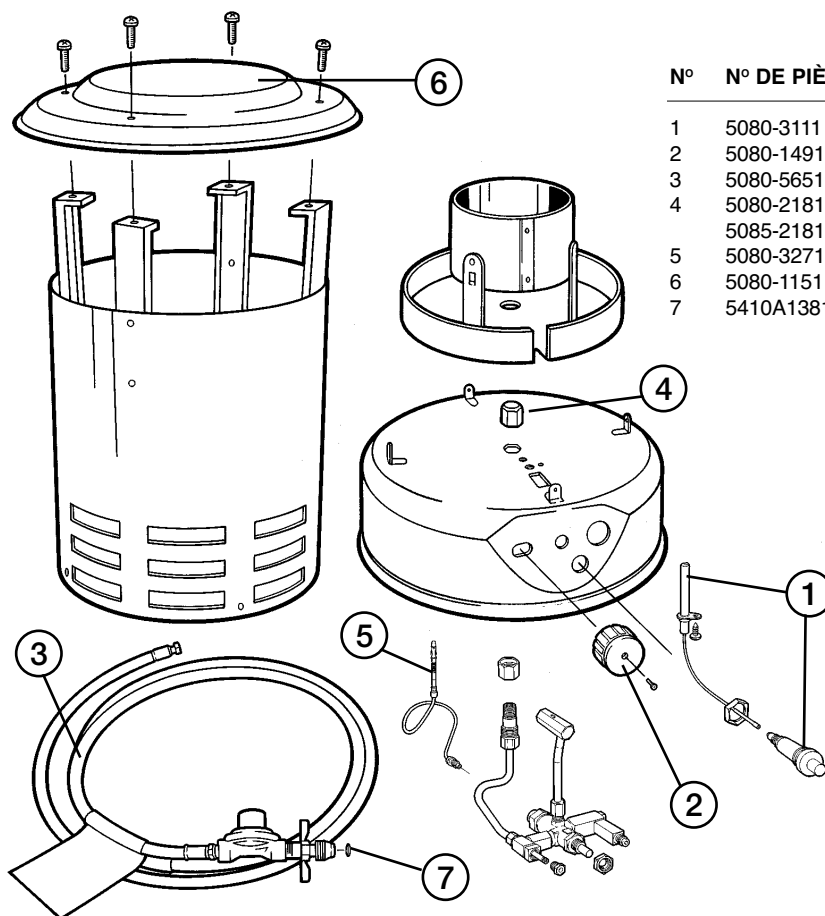
## DONNÉES TECHNIQUES

	5085A751	5080A751
• Puissance (en btu/h)	80 000 à 200 000	30 000 à 80 000
• Combustible	Vapeur de propane seulement	Vapeur de propane seulement
• Consommation de combustible gallons/heure	0,9 minimum/2,2 maximum	0,3 minimum/0,9 maximum
livres/heure	3,8 minimum/9,3 maximum	1,4 minimum/3,8 maximum
• Pression d'alimentation (au régulateur) maximale	Pression de la bonbonne	Pression de la bonbonne
minimale, pour réglage d'admission	24 psi	24 psi
• Pression de sortie du régulateur	10 psi	10 psi
• Poids (en livres)	14,7	12,24
• Dimensions (en pouces)	28,75 x 13,25 de diamètre	21 x 13,25 de diamètre
• Température ambiante minimale d'utilisation	0 °F	0 °F
• Dimensions d'expédition (en pouces)	29,5 x 14,1 x 14,1	21,75 x 14,1 x 14,1
• Poids d'expédition (en livres)	17	14,1

## PIÈCES DE RECHANGE

### ⚠ AVERTISSEMENT

N'employez que des pièces de rechange authentiques, jamais de pièces de rechange d'autres marques. Des pièces incorrectes pourraient causer des blessures graves, voire mortelles.



N°	N° DE PIÈCE	DÉSIGNATION
1	5080-3111	Ens. d'allumage électronique
2	5080-1491	Bouton et vis
3	5080-5651	Ens. tuyau souple et régulateur
4	5080-2181	Bec de gaz (modèle 5080A)
	5085-2181	Bec de gaz (modèle 5085A)
5	5080-3271	Thermocouple et pince
6	5080-1151	Chapeau supérieur et vis
7	5410A1381	Joint torique

## ASSISTANCE À LA CLIENTÈLE

Des questions? Appelez Coleman au 1 800 835-3278 ou au 316-832-8707.

# CALEFACTOR PARA LA CONSTRUCCIÓN A GAS PROPANO

## INSTRUCCIONES DE USO

### IMPORTANTE


Lea cuidadosamente este manual antes de ensamblar, usar o dar servicio al calefactor. Guarde este manual para referencia futura. Si tiene dudas acerca del ensamblaje, funcionamiento, servicio o reparación de esta unidad, sírvase llamar a Coleman al 1-800-835-3278 o a la línea para personas con dificultad auditiva 316-832-8707.



### Modelos: 5080A751 y 5085A751

Este producto ha sido diseñado y aprobado para ser usado como calefactor en interiores de construcciones, de acuerdo con las normas ANSI. Esta unidad ha sido creada con el fin de calentar temporalmente edificios en construcción o que están siendo remodelados o reparados. No está hecha para uso doméstico ni recreativo.



El presente manual contiene información importante relacionada con el ensamblaje, funcionamiento y mantenimiento de este calefactor para construcción. Estas primeras páginas incluyen información general sobre seguridad, las cuales se repiten en distintas secciones del manual. Debe prestarse especial atención a toda información acompañada por el símbolo de alerta y seguridad “ ADVERTENCIA”.

Guarde este manual para referencia futura y para enseñar el uso de esta unidad a otras personas. Este manual debe leerse conjuntamente con las etiquetas fijadas al producto.



**ADVERTENCIA GENERAL DE PELIGRO:**

**EL INCUMPLIMIENTO DE LAS PRECAUCIONES E INSTRUCCIONES PROVISTAS CON ESTE CALEFACTOR, PUEDE OCASIONAR MUERTE, LESIONES GRAVES Y PÉRDIDAS A LA PROPIEDAD O DAÑOS OCASIONADOS POR FUEGO, EXPLOSIÓN, QUEMADURA, ASFIXIA Y/O ENVENENAMIENTO POR INHALACIÓN DE MONÓXIDO DE CARBONO.**

**SÓLO LAS PERSONAS QUE PUEDAN ENTENDER Y SEGUIR LAS INSTRUCCIONES DETALLADAS DEBERÁN USAR O DAR SERVICIO A ESTE CALEFACTOR.**

**SI NECESITA AYUDA O INFORMACIÓN SOBRE EL CALEFACTOR COMO POR EJEMPLO LA INFORMACIÓN INCLUIDA EN EL MANUAL DE INSTRUCCIONES O LAS ETIQUETAS, COMUNÍQUESE CON COLEMAN CO., INC.**



**ADVERTENCIA: PELIGRO DE FUEGO, QUEMADURAS, INHALACIÓN Y EXPLOSIÓN. MANTENGA LOS COMBUSTIBLES SÓLIDOS, COMO LOS MATERIALES DE CONSTRUCCIÓN, PAPELES O CARTONES A UNA DISTANCIA PRUDENCIAL DEL CALEFACTOR SEGÚN SE RECOMIENDA EN LAS INSTRUCCIONES. NUNCA USE EL CALEFACTOR EN LUGARES QUE CONTENGAN, O PUEDAN CONTENER, COMBUSTIBLES VOLÁTILES O EN SUSPENSIÓN, O PRODUCTOS COMO LA GASOLINA, LOS SOLVENTES, EL DILUYENTE DE PINTURA, LAS PARTÍCULAS DE POLVO, O LAS SUSTANCIAS QUÍMICAS DESCONOCIDAS.**



**ADVERTENCIA  
UNIDAD NO ADAPTADA PARA USO DOMÉSTICO NI RECREATIVO.**

No podemos prever todos los usos que se les puedan dar a nuestros calefactores. **Verifique con su departamento de bomberos local si tiene dudas con respecto al uso del calefactor.**

Otras normas regulan el uso de gases combustibles y productos generadores de calor para usos específicos. Las autoridades locales pueden aconsejarle acerca de las mismas.

Este calefactor para la construcción de uso en interiores no debe utilizarse en áreas directamente expuestas a salpicaduras con agua, lluvia y/o goteo.

**ENVENENAMIENTO CON MONÓXIDO DE CARBONO:**

Este calefactor para la construcción funciona por combustión. Todos los aparatos de esta índole producen monóxido de carbono (CO) durante su proceso de combustión. Este producto ha sido diseñado para producir cantidades extremadamente ínfimas y no peligrosas de CO, siempre que se use y mantenga de acuerdo con todas las advertencias e instrucciones adjuntas. No bloquee el flujo del aire que entra o sale del calefactor.

Los primeros síntomas de envenenamiento por monóxido de carbono son similares a los de la gripe, incluyendo dolores de cabeza, mareos y/o náuseas. Si tiene estos síntomas mientras la unidad está funcionando, **¡salga a tomar aire fresco de inmediato!**

*La Información sobre Seguridad continúa en la página siguiente*

Asegúrese de contar con ventilación adecuada. Debe haber una abertura para que circule el aire de **por lo menos seis (6) pies cuadrados** o su equivalente, por ej., 2' x 3' por cada unidad. **¡NO USE ESTE CALEFACTOR EN DEPENDENCIAS HABITADAS O MIENTRAS DUERME!** El Estado de California incluye al monóxido de carbono como una toxina reproductiva en la Proposición 65.

**GAS PROPANO:**

Este producto funciona con gas propano. Este gas es invisible, inodoro e inflamable. Normalmente, se le agrega cierto olor para ayudar a detectar fugas, lo cual puede describirse como un olor a “huevo podrido”. Éste puede desvanecerse con el tiempo por lo que las fugas no siempre pueden detectarse sólo por el olor.

El gas propano es más pesado que el aire y cuando hay fugas siempre se desplazan a los niveles más bajos posibles. Varias fuentes de combustión pueden ocasionar que el gas se inflame. Éstas pueden ser fósforos, encendedores, chispas o llamas abiertas de cualquier tipo ubicadas a muchos pies de distancia de la fuga original. Use la unidad sólo con un sistema de gas propano con eliminación de vapores.

El gas propano debe guardarse y usarse según lo especifican las ordenanzas y códigos locales o la norma ANSI/NFPA 58. Apague el suministro de gas cuando no lo utilice.

**FUEGO/EXPLOSIÓN:**

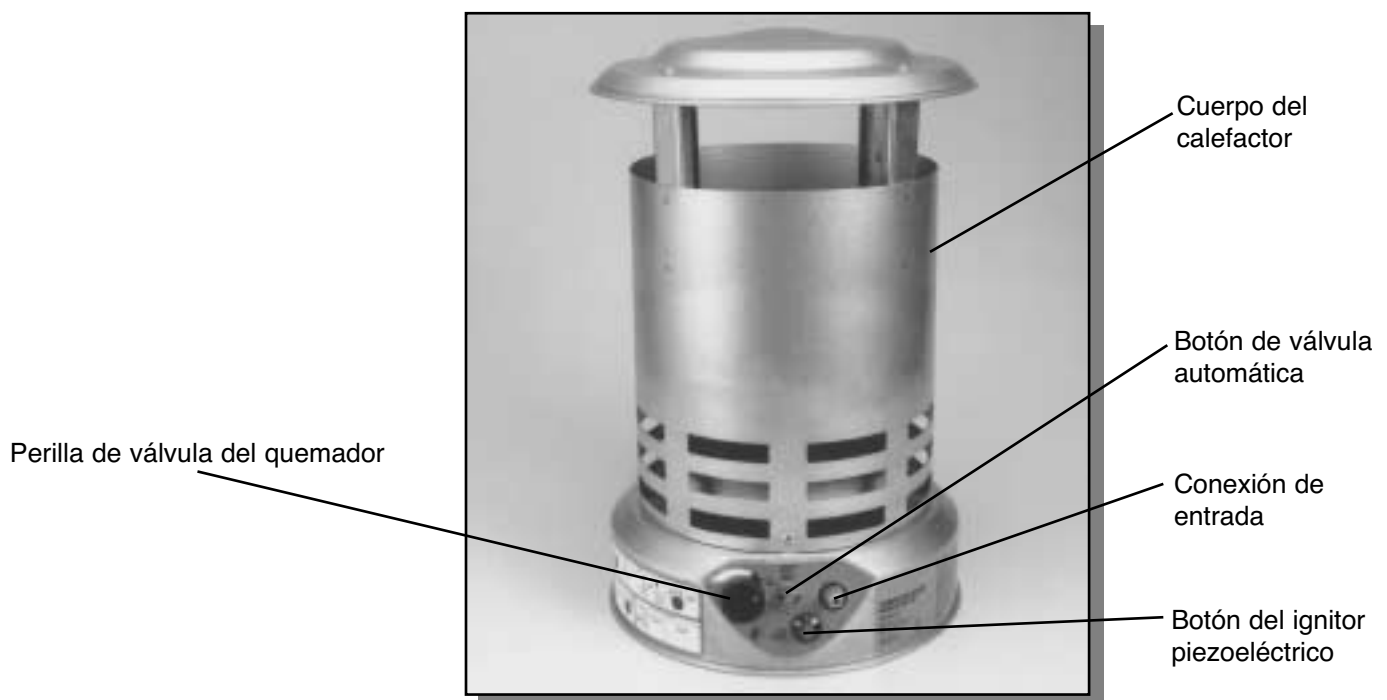
Este producto puede ser una fuente de combustión durante su funcionamiento. Mantenga el área del calefactor libre de todo material combustible, gasolina, diluyente de pintura, solventes de limpieza y otros vapores y líquidos inflamables. No use el calefactor en áreas con bastante polvo. Las distancias mínimas del calefactor a cualquier material combustible son cuatro (4) pies a los lados y seis (6) pies desde la parte superior. Mantenga el calefactor por lo menos a seis (6) pies de los tanques de propano y mantenga las mangueras alejadas de la abertura de salida del calefactor.

**INFORMACIÓN ADICIONAL SOBRE SEGURIDAD:**

- Nunca altere o modifique el calefactor, el conjunto de regulador/manguera ni los cilindros de gas propano.
- Siempre inspeccione el calefactor, las mangueras y los cilindros de gas antes de usar la unidad. No lo use si hay fuga de gas o está dañado. Reemplace las mangueras que evincian desgaste excesivo, abrasión o cortaduras. Use sólo los repuestos, mangueras y reguladores Coleman.
- MANTENGA LA UNIDAD FUERA DEL ALCANCE DE LOS NIÑOS.
- El calefactor se mantendrá caliente hasta treinta (30) minutos después de apagado.
- Haga funcionar el calefactor sólo sobre una superficie nivelada y estable.

<b><u>SECCIÓN</u></b>	<b><u>PÁGINA</u></b>
Información general sobre seguridad . . . . .	22,23
Identificación del producto . . . . .	24
Desembalaje . . . . .	24
Teoría de funcionamiento . . . . .	24
Suministro de gas propano . . . . .	25
Ventilación . . . . .	25
Preparación . . . . .	25, 26
Funcionamiento. . . . .	26 -28
Almacenamiento . . . . .	28
Mantenimiento . . . . .	29
Localización de averías . . . . .	29
Especificaciones . . . . .	30
Repuestos . . . . .	30
Garantía . . . . .	31

## IDENTIFICACIÓN DEL PRODUCTO



## DESEMBALAJE

1. Quite todos los artículos de empaque que recubren la unidad para su despacho. Guarde los casquillos plásticos (colocados en la conexión de entrada y en el conjunto regulador/manguera) para su futuro almacenamiento.
2. Saque todo de la caja.
3. Verifique que todo esté en perfectas condiciones. Si el calefactor está dañado, infórmelo de inmediato al distribuidor donde adquirió la unidad.

## TEORÍA DE FUNCIONAMIENTO

**Sistema de combustible:** El conjunto regulador/manguera se conecta al suministro de gas. Este provee combustible al calefactor.

**Sistema de encendido:** El ignitor piezoeléctrico enciende el piloto de la fuente de combustible.

**Sistema de control automático:** La válvula automática apaga el calefactor si la llama se extingue.



Usted debe proveer el gas propano y el tanque(s).

Use este calefactor sólo con un sistema de suministro de gas propano con eliminación de vapores. Consulte el Capítulo 5 de la Norma estándar para el almacenamiento y manipuleo de gas de petróleo licuado (*Standard for Storage and Handling of Liquefied Petroleum Gas*) ANSI/NFPA 58. Su biblioteca o departamento de bomberos local tiene esta publicación.

La cantidad de gas propano en los tanques varía. Dos factores determinan la misma.

1. La cantidad de gas propano líquido en el tanque(s).
2. La temperatura del tanque(s).

El cuadro a continuación muestra el mínimo número de tanques de 100 libras necesarios para hacer funcionar el calefactor a la temperatura indicada durante 10 horas como mínimo. Conecte los tanques entre sí con un múltiple. No haga funcionar la unidad **con ningún tanque de menos de 100 libras**. Se obtendrá un rendimiento reducido.

Temperatura promedio (en °F) donde están los tanques	Número de tanques necesarios					
	60°	40°	32°	20°	10°	0°
<b>5085A751</b>	2	2	3	3	3	3
<b>5080A751</b>	1	1	1	1	2	2

El gas se evapora menos cuando las temperaturas son más bajas. Dos o más tanques de 100 libras, o uno más grande, pueden requerirse en climas más fríos. Su distribuidor de gas propano local le ayudará a escoger el sistema de suministro adecuado.

### **ADVERTENCIA**

Debe haber una abertura para que circule el aire de por lo menos seis pies cuadrados mientras la unidad está funcionando. Si no hay ventilación exterior suficiente, puede ocasionarse envenenamiento por inhalación de monóxido de carbono. Asegúrese de contar con ventilación exterior adecuada antes de poner en funcionamiento la unidad.

### **ADVERTENCIA**

Pruebe todas las tuberías y conexiones de gas por fugas después de preparar la unidad o darle servicio. Nunca use llama para verificar una fuga. Aplique una mezcla de jabón líquido y agua a todas las uniones. La formación de burbujas indica que hay una fuga. Repare todas las fugas antes de usar la unidad.

## PREPARACIÓN

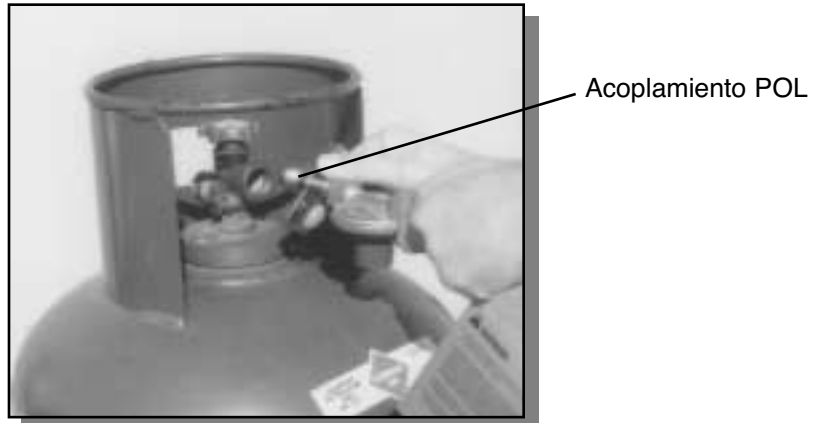
### Continuación

1. Determine el tipo de suministro de gas propano necesario. (*Consulte la sección Suministr de Gas Propano*).
2. Fije la manguera a la conexión de entrada del calefactor. Ajústela firmemente en **sentido horario** con una llave de 9/16".



**Conexión de la manguera al calefactor**

3. Conecte el acoplamiento POL al conjunto regulador/manguera al tanque(s) de gas propano. Enrosque el acoplamiento POL en **sentido antihorario** en el tanque. Ajuste firmemente. **IMPORTANTE:** Ajuste el regulador con el orificio de ventilación hacia abajo. Esto evita que los agentes climáticos dañen el regulador.



**Regulador con orificio de ventilación hacia abajo**

4. Abra lentamente la válvula del tanque(s) de gas propano.
5. Verifique todas las conexiones por fugas. Aplique una mezcla de jabón líquido y agua a todas las uniones. La formación de burbujas indica que hay una fuga que debe ser reparada antes de usar la unidad.
6. Cierre la válvula de suministro de gas propano.

## ⚠ ADVERTENCIA

Revise y entienda las advertencias de la sección Información General sobre Seguridad. Esto es necesario para operar el calefactor en forma segura. Siga todas las ordenanzas o códigos locales cuando use este calefactor.

### Para encender el calefactor

1. Siga todas las indicaciones de preparación, ventilación y seguridad.
2. Coloque el calefactor sobre una superficie estable y nivelada. Asegúrese de que la unidad no esté expuesta a fuertes ráfagas de viento ni la use en áreas directamente expuestas a salpicaduras de agua, lluvia y/o goteo.

## OPERACIÓN

## **⚠️ ADVERTENCIA**

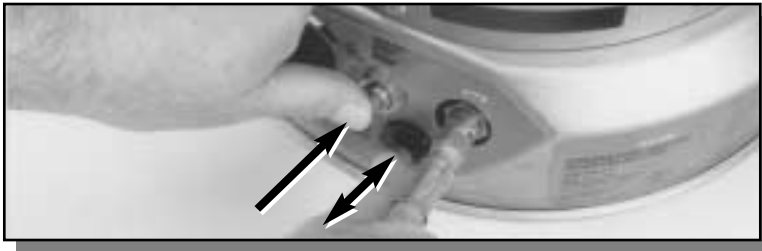
Cierre totalmente la válvula del quemador antes de encender el piloto. En caso contrario, pueden ocasionarse serias quemaduras.



3. Abra lentamente la válvula del tanque(s) de gas propano.



4. Oprima y mantenga presionado el botón de la válvula automática. Oprima el botón ignitor (rojo). Puede que tenga que oprimir el botón de 3 a 8 veces para que se encienda el piloto.  
*Nota:* La manguera puede estar llena de aire. De ser así, mantenga el botón de la válvula presionado y deje que transcurran 20 segundos antes de volver a presionar el ignitor. Cuando se encienda el piloto, mantenga el botón de la válvula presionado. Suelte el botón al cabo de 30 segundos.



### **Encendiendo el piloto**

5. Si el piloto se apaga, repita el paso 4.
6. Si el piloto permanece encendido después de soltar el botón de la válvula automática, abra totalmente la válvula del quemador haciendo girar la perilla de la válvula del quemador en sentido antihorario hasta que ésta se detenga. El quemador se encenderá.



7. Ajuste la perilla al nivel de calor deseado.



## Para apagar el calefactor

1. Cierre completamente la válvula del tanque(s).



2. Cierre la válvula del quemador haciendo girar la perilla a la posición OFF.



## Para volver a encender el calefactor

1. Deje que transcurran cinco minutos después de apagar la unidad.
2. Vuelva a encender la unidad siguiendo los pasos indicados bajo el título “Encendido del calefactor”.

## **ADVERTENCIA**

**Desconecte el calefactor del tanque(s) de gas propano antes de guardarlo.**

1. Guarde el tanque(s) de manera segura. Consulte el Capítulo 5 de la Norma estándar para el almacenamiento y manipuleo de gas de petróleo licuado (*Standard for Storage and Handling of Liquefied Petroleum Gas*) ANSI/NFPA 58. Siga todas las indicaciones de los códigos locales. Siempre guarde los tanques de gas propano en exteriores.
2. Coloque los casquillos de plástico sobre los acoplamientos de bronce en la conexión de entrada y en el conjunto regulador/manguera del calefactor.
3. Guarde el calefactor en un lugar seco, limpio y seguro.
4. No apile más de tres calefactores juntos si está guardando más de uno. Asegure los calefactores con sogas o correas una vez que estén apilados.

## ADVERTENCIA

**Nunca intente dar servicio al calefactor mientras esté conectado al suministro de gas propano, funcionando o caliente. Pueden ocasionarse quemaduras graves.**

1. Mantenga limpio el calefactor. No use líquidos inflamables ni productos de limpieza.
2. Inspeccione el calefactor antes de cada uso. Verifique las conexiones por fugas. Aplique una mezcla de jabón líquido y agua a todas las uniones. La formación de burbujas indica que hay una fuga. Repare todas las fugas antes de usar la unidad.
3. Inspeccione el conjunto regulador/manguera antes de cada uso. Reemplace las mangueras que evidencien desgaste excesivo, abrasión o cortaduras. Inspeccione el aro "O" por daños. Reemplácelo si está cortado o fisurado.
4. Haga que un técnico especializado inspeccione anualmente el calefactor.

## ADVERTENCIA

**Nunca intente dar servicio al calefactor mientras esté conectado al suministro de gas propano, funcionando o caliente. Pueden ocasionarse quemaduras graves.**

### SÍNTOMA

### CAUSA PROBABLE

### SOLUCIÓN

El piloto no enciende.

1. Válvula de gas propano del tanque(s) cerrada.
2. Aire en la tubería de gas.
3. Orificio del piloto bloqueado.
4. El sistema de encendido no produce chispa.

1. Abra lentamente la válvula de gas propano.
2. Deje que transcurran varios minutos para que salga el aire con el botón de la válvula automática presionado.
3. Vuelva a ubicar el orificio del piloto.
4. Ajuste la separación del electrodo del ignitor en 1/8". Verifique el hilo terminal por daños. Reemplace el ignitor y/o el electrodo del ignitor según sea necesario.

El piloto se enciende pero se apaga cuando se suelta el botón de la válvula automática.

1. Tiempo de calentamiento insuficiente.
2. Baja presión gas.
3. Termopar flojo o requiere reemplazo.
4. La válvula automática necesita ser reemplazada.

1. Vuelva a encender, mantenga presionado el botón de la válvula automática durante 45 segundos.
2. Verifique que el suministro de gas en el tanque(s) sea adecuado.
3. Ajuste la conexión o reemplace el termopar.
4. Reemplace la válvula automática.

El máximo régimen de encendido es bajo.

1. La válvula del quemador no está totalmente abierta.
2. Orificios de gas obturados.
3. Baja presión gas.
4. Bajo nivel de combustible.

1. Abra totalmente la válvula del quemador haciendo girar la perilla hacia la posición ON hasta que se detenga.
2. Abra los orificios de gas.
3. Verifique el suministro de gas y la salida del regulador.
4. Consulte a su proveedor de gas propano.

Formación de hollín dentro del calefactor, llama 100% amarilla.

1. La válvula del quemador no está suficientemente abierta.
2. Bajo nivel de combustible.

1. Ajuste lentamente la válvula del quemador hacia la posición ON hasta que la llama sea más azul.
2. Consulte a su proveedor de gas propano.

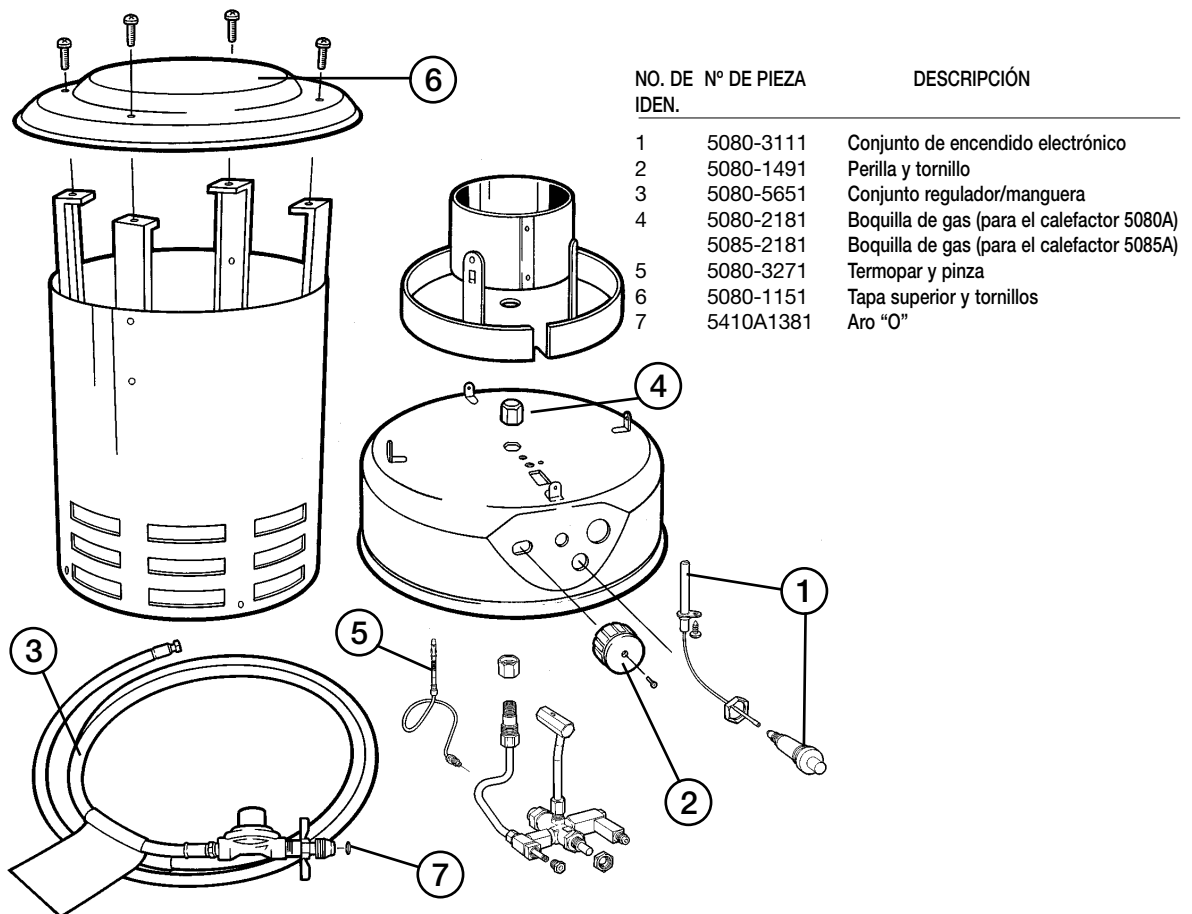
## ESPECIFICACIONES

	5085A751	5080A751
• Régimen (BTU/h)	80,000 a 200,000	30,000 a 80,000
• Combustible	Vapor de propano sólo	Vapor de propano sólo
• Consumo de combustible		
Galones/hr	0.9 mín./2.2 máx.	0.3 mín./0.9 máx.
Libras/h	3.8 mín./9.3 máx.	1.4 mín./3.8 máx.
• Máxima presión del suministro (al regulador)	Presión del tanque	Presión del tanque
Mínima, para ajuste de entrada	24 psi	24 psi
• Presión de salida del regulador	10 psi	10 psi
• Peso (en libras)	14.7	12.24
• Tamaño (en pulgadas)	28 3/4 x 13 1/4 diám.	21 x 13 1/4 diám.
• Temperatura ambiente mínima para uso de la unidad	0°F	0°F
• Dimensiones de envío (en pulgadas)	29 1/2 x 14 1/8 x 14 1/8	21 3/4 x 14 1/8 x 14 1/8
• Peso de envío (en libras)	17	14.1

## REPUESTOS

### ⚠ ADVERTENCIA

Use sólo repuestos originales. No los sustituya ni use repuestos que no sean de marca. El uso de repuestos inadecuados puede ocasionar lesiones graves o fatales.



## SERVICIO TÉCNICO

Si tiene alguna duda, comuníquese con Coleman al 1-800-835-3278 o a la línea para personas con dificultad auditiva 316-832-8707.

### Coleman Limited One-Year Warranty

The Coleman Company, Inc. ("Coleman") warrants that for a period of one year from the date of original retail purchase, this product will be free from defects in material and workmanship. Coleman, at its option, will repair or replace this product or any component of the product found to be defective during the warranty period. Replacement will be made with a new or remanufactured product or component. If the product is no longer available, replacement may be made with a similar product of equal or greater value. This is your exclusive warranty.

This warranty is valid for the original retail purchaser from the date of initial retail purchase and is not transferable. Keep the original sales receipt. Proof of purchase is required to obtain warranty performance. Coleman dealers, service centers, or retail stores selling Coleman products do not have the right to alter, modify or in any way change the terms and conditions of this warranty.

This warranty does not cover normal wear of parts or damage resulting from any of the following: negligent use or misuse of the product, use on improper voltage or current, use contrary to the operating instructions, disassembly, repair or alteration by anyone other than Coleman or an authorized service center. Further, the warranty does not cover Acts of God, such as fire, flood, hurricanes and tornadoes.

**COLEMAN SHALL NOT BE LIABLE FOR ANY INCIDENTAL OR CONSEQUENTIAL DAMAGES CAUSED BY THE BREACH OF ANY EXPRESS OR IMPLIED WARRANTY OR CONDITIONS. EXCEPT TO THE EXTENT PROHIBITED BY APPLICABLE LAW, ANY IMPLIED WARRANTY OF MERCHANTABILITY OR FITNESS FOR A PARTICULAR PURPOSE IS LIMITED IN DURATION TO THE DURATION OF THE ABOVE WARRANTY OR CONDITIONS. SOME STATES, PROVINCES, OR JURISDICTIONS DO NOT ALLOW THE EXCLUSION OR LIMITATION OF INCIDENTAL OR CONSEQUENTIAL DAMAGES OR LIMITATIONS ON HOW LONG AN IMPLIED WARRANTY LASTS, SO THE ABOVE LIMITATIONS OR EXCLUSION MAY NOT APPLY TO YOU. THIS WARRANTY GIVES YOU SPECIFIC LEGAL RIGHTS, AND YOU MAY ALSO HAVE OTHER RIGHTS THAT VARY FROM STATE TO STATE OR PROVINCE TO PROVINCE.**

#### How to Obtain Warranty Service

Take the product to an authorized Coleman service center. You can find the nearest authorized Coleman service center by calling 1-800-835-3278 or TDD 316-832-8707 in the United States or 1 800 387 6161 in Canada. If a service center is not conveniently located, attach to the product a tag that includes your name, address, daytime telephone number and description of the problem. Include a copy of the original sales receipt. Carefully package the product and send either by UPS or Parcel Post **insured** with shipping and **insurance** prepaid to:

#### For products purchased in the United States:

The Coleman Company, Inc.  
3600 North Hydraulic  
Wichita, KS 67219

#### For products purchased in Canada:

Sunbeam Corporation (Canada) Limited  
5975 Falbourn Street  
Mississauga, Ontario  
Canada L5R 3V8

Do not mail products with fuel in tanks, or with disposable propane cylinders. Remove glass globes from lanterns and wrap separately.

**DO NOT RETURN THIS PRODUCT TO THE PLACE OF PURCHASE.**

If you have any questions regarding this warranty please call 1-800-835-3278 or TDD 316-832-8707 in the United States or 1 800 387 6161 in Canada.

### Garantie limitée de un an Coleman

The Coleman Company, Inc. («Coleman») garantit cet article contre tout vice de matériau et de fabrication pendant une période de un (1) an à compter de la date de l'achat. Coleman se réserve le droit de choisir entre réparer ou remplacer cet article ou toute pièce de celui-ci dont la défectuosité a été constatée au cours de la période de garantie. Le remplacement se fera au moyen d'un produit neuf ou remanufacturé ou bien d'une pièce neuve ou remanufacturée. Si l'article n'est plus disponible, il sera remplacé par un article semblable, de valeur égale ou supérieure. La présente constitue votre garantie exclusive.

Cette garantie n'est valable que pour l'acheteur au détail original à partir de la date de l'achat au détail initial et elle n'est pas transférable. Veuillez conserver le reçu d'achat original. La preuve d'achat est exigée pour tout service couvert par la garantie. Les concessionnaires Coleman, les centres de service et les détaillants qui vendent des articles Coleman n'ont pas le droit d'altérer, de modifier ou de changer d'une manière quelconque les modalités de cette garantie.

Cette garantie ne couvre pas l'usure normale des pièces ni l'endommagement attribuable à la négligence, l'utilisation abusive de l'article, le branchement sur un circuit de tension ou courant inapproprié, le non-respect du mode d'emploi, la démontage, la réparation ou l'altération par quiconque, sauf Coleman ou un centre de service Coleman agréé. Cette garantie ne couvre pas non plus les cas de force majeure comme incendies, inondations, ouragans et tornades.

**COLEMAN DÉCLINE TOUTE RESPONSABILITÉ EN CAS DE DOMMAGES ACCESSOIRES OU INDIRECTS RÉSULTANT DU NON-RESPECT DE TOUTE GARANTIE OU CONDITION EXPLICITE OU IMPLICITE. SAUF DANS LA MESURE INTERDITE PAR LA LÉGISLATION PERTINENTE, TOUTE GARANTIE IMPLICITE DE QUALITÉ COMMERCIALE OU D'APPLICATION À UN USAGE PARTICULIER EST LIMITÉE À LA DURÉE DE LA GARANTIE OU CONDITION CI-DESSUS. CERTAINS ÉTATS ET CERTAINES PROVINCES OU JURISDICTIONS INTERDISSENT D'EXCLURE OU DE LIMITER LES DOMMAGES ACCESSOIRES OU INDIRECTS, OU NE PERMETTENT PAS LA LIMITATION DE LA DURÉE D'APPLICATION DE LA GARANTIE IMPLICITE, DE SORTE QUE VOUS POUVEZ NE PAS ÊTRE ASSUJETTIS AUX LIMITES OU EXCLUSIONS ÉNONCÉES CI-DESSUS. CETTE GARANTIE VOUS CONFÈRE DES DROITS JURIDIQUES PRÉCIS ET VOUS POUVEZ AVOIR D'AUTRES DROITS, CES DROITS VARIANT D'UN ÉTAT OU D'UNE PROVINCE À L'AUTRE.**

#### Comment obtenir le service prévu par la garantie

Apportez l'article à un Centre de service agréé Coleman. Pour obtenir l'adresse du plus proche Centre de service agréé Coleman, appelez le 1 800 835-3278 ou le ATS 316-832-8707 aux États-Unis, ou bien le 1 800 387-6161 au Canada. S'il n'y a pas de centre de service facile d'accès, fixez une étiquette sur l'article précisant votre nom, votre adresse, votre numéro de téléphone le jour et la description de la défectuosité. Veuillez inclure une copie du reçu d'achat original. Emballez soigneusement l'article et expédiez-le par UPS ou par la poste, en **port** et assurance payés, à l'une des adresses suivantes :

#### Pour les produits achetés aux États-Unis:

The Coleman Company, Inc.  
3600 North Hydraulic  
Wichita, KS 67219

#### Pour les produits achetés au Canada :

Sunbeam Corporation (Canada) Limited  
5975 Falbourn Street  
Mississauga, Ontario  
Canada L5R 3V8

N'envoyez pas de produits dont le réservoir contient du carburant ou bien auxquels soit fixée un bouteille jetable de propane. Retirez le globe en verre des lanternes et emballez-le séparément.

**NE RETOURNEZ PAS CE PRODUIT AU LIEU D'ACHAT.**

Si vous avez toute question quant à cette garantie, veuillez composer le 1 800 835-3278 ou le ATS 316-832-8707 aux États-Unis, et le 1 800 387-6161 au Canada.

### Garantía Limitada de Un-Año de Coleman

La Compañía Coleman, Inc. ("Coleman") garantiza que por el periodo de un año a partir de la fecha original de compra, este producto estará libre de defectos en material y construcción. Coleman, a su discreción, reparará o reemplazará este producto o cualquier componente del producto que esté defectuoso durante el periodo de la garantía. Cualquier reemplazo será hecho con un producto o componente nuevo o refabricado. Si el producto no se encuentra disponible, el reemplazo se podrá hacer con un producto similar de igual o mayor valor. Esta es su garantía exclusiva.

Esta garantía es válida para el comprador original desde la fecha de la compra inicial y no es transferible. Guarde su recibo de compra. Prueba de recibo de compra es requerido para obtener ejecución de la garantía. Los comerciantes de Coleman, centros de servicio o las tiendas al por menor que venden productos Coleman no tienen el derecho de alterar, modificar o cambiar de ninguna otra manera los términos y condiciones de esta garantía.

Esta garantía no cubre el desgaste normal de las piezas o cualquier daño que resulte por lo siguiente: uso negligente o abuso del producto, uso incorrecto de voltaje o corriente, uso contrario a las instrucciones de operación, desmontaje, reparación o alteración por cualquiera que no sea Coleman o un centro de servicio autorizado. Además, esta garantía no cubre actos de fuerzas mayores, tal como lo son fuego, inundaciones, huracanes y tornados.

**COLEMAN NO SERÁ RESPONSABLE POR NINGÚN DAÑO INCIDENTAL O CONSIGUIENTE OCASIONADO POR LA VIOLACIÓN DE CUALQUIER GARANTÍA O CONDICIÓN IMPLICADA O EXPRESADA. CON EXCEPCIÓN AL LIMITE DE LO QUE PROVEE LA LEY APLICABLE, CUALQUIER GARANTÍA IMPLICADA DE COMERCIO O ADAPTACIÓN PARA UN USO EN PARTICULAR ES LIMITADA EN SU DURACIÓN A LA DURACIÓN DE LA GARANTÍA ARRIBA MENCIONADA. ALGUNOS ESTADOS, PROVINCIAS O JURISDICIONES NO PERMITEN LA EXCLUSIÓN O LIMITACIÓN DE DAÑOS INCIDENTALES O CONSIGUIENTES O LIMITACIONES REFERENTE A CUÁNTO UNA GARANTÍA LIMITADA DEBE DURAR, POR LO TANTO LAS LIMITACIONES O EXCLUSIONES ARRIBA MENCIONADAS PUEDE QUE NO SEAN APLICABLES A USTED. ESTA GARANTÍA LE PROVEE DERECHOS LEGALES ESPECÍFICOS, Y ADEMÁS PUEDE QUE USTED TENGA OTROS DERECHOS QUE VARIAN DE ESTADO A ESTADO O DE PROVINCIA A PROVINCIA.**

#### Como Obtener Servicio de Garantía

Lleve el producto a un centro de servicio Coleman autorizado. Usted puede localizar su centro de servicio Coleman más cercano llamando al número 1-800-835-3278 o al TDD 316-832-8707 en los Estados Unidos o al 1-800-387-6161 en Canadá. Si no encuentra un centro de servicio convenientemente localizado, adhiera una etiqueta al producto que incluya su nombre, dirección, número de teléfono y una descripción del problema. Incluya una copia del recibo de compra original. Empaque el producto cuidadosamente y envíelo por correo o por "UPS" con seguro y porte pagado a:

#### Para productos comprados en los Estados Unidos:

The Coleman Company, Inc.  
3600 North Hydraulic  
Wichita, KS 67219

#### Para productos comprados en Canada:

Sunbeam Corporation (Canada) Limited  
5975 Falbourn Street  
Mississauga, Ontario  
Canada L5R 3V8

No envíe productos con combustible en los tanques, o con cilindros de propano desechables. Quite los globos de cristal de las lanternas y envuélvalos por separado.

**NO DEVUELVA ESTE PRODUCTO AL LUGAR DONDE LO COMPRO.**


Si usted tiene alguna pregunta sobre esta garantía favor de llamar al 1-800-835-3278 o al TDD 316-832-8707 en los Estados Unidos o al 1-800-387-6161 en Canadá.

**TECHNICAL  
SERVICE  
ASSISTANCE  
À LA  
CLIENTÈLE  
SERVICIO  
TÉCNICO**

If you have questions, contact Coleman at: 1-800-835-3278 or TDD: 316-832-8707.  
In Canada call 1-800-387-6161.

Des questions? Entrez en rapport avec Coleman en composant le 1 800 835-3278 ou le  
316-832-8707 aux États-Unis, ou bien le 1 800 387-6161 au Canada.

Si tiene alguna duda, comuníquese con Coleman al 1-800-835-3278 o a la línea para per-  
sonas con dificultad auditiva 316-832-8707. En Canadá llame al 1-800-387-6161.

Coleman® and  are registered trademarks of The Coleman Company, Inc.

The Coleman Company, Inc.  
3600 N. Hydraulic  
Wichita, KS 67219 U.S.A.  
1-800-835-3278  
TDD: 316-832-8707

Sunbeam Corporation (Canada) Limited  
5975 Falbourne Street  
Mississauga, Ontario  
CANADA L5R 3V8  
1-800-387-6161